



Parts Manual

Mfg. No: 2691829-02
360Z 25.00 HP B&S Professional Series
CARB 52" Fabricated Mower Deck

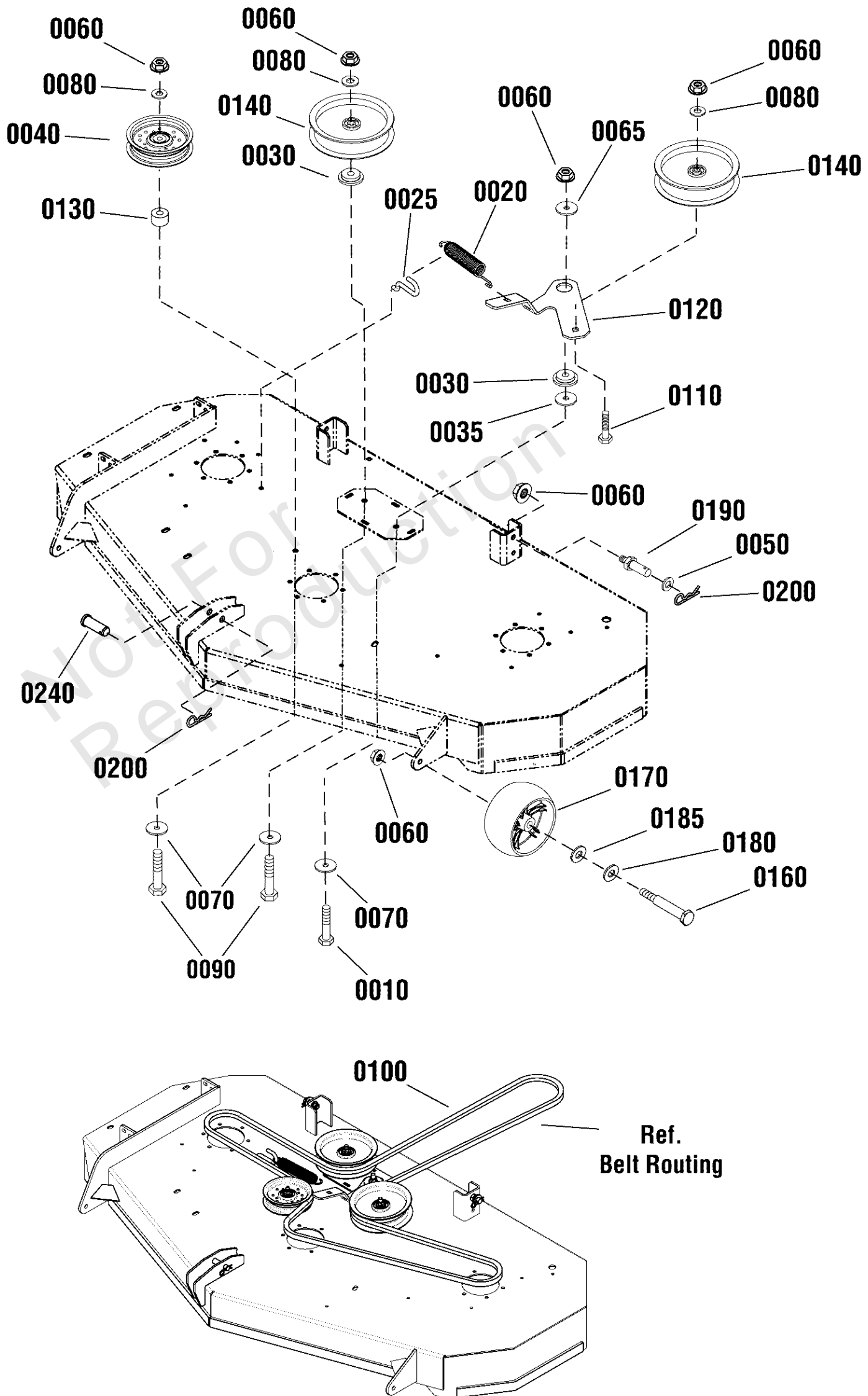
| Model Components | Page |
|--|-------------|
| 52" (132cm) Mower Deck - Clutch & Support Group..... | 4 |
| 52" (132cm) Mower Deck - Housing, Arbors & Blades Group..... | 6 |
| Body & Fuel Tank Group..... | 8 |
| Controls Group..... | 10 |
| Decals Group..... | 12 |
| Electrical Group..... | 14 |
| Engine Group..... | 16 |
| EVAP Group..... | 18 |
| Frame Group..... | 20 |
| Lift Group..... | 22 |
| Parking Brake Group..... | 24 |
| Seat Group..... | 26 |
| Transmission Group..... | 28 |
| Wheel & Tire Group..... | 30 |
| Torque Specification Chart..... | 32 |

Not For
Reproduction

52" (132cm) Mower Deck - Clutch & Support Group

Note: Unless noted otherwise, use the standard torque specifications

Mfg. No: 2691829-02



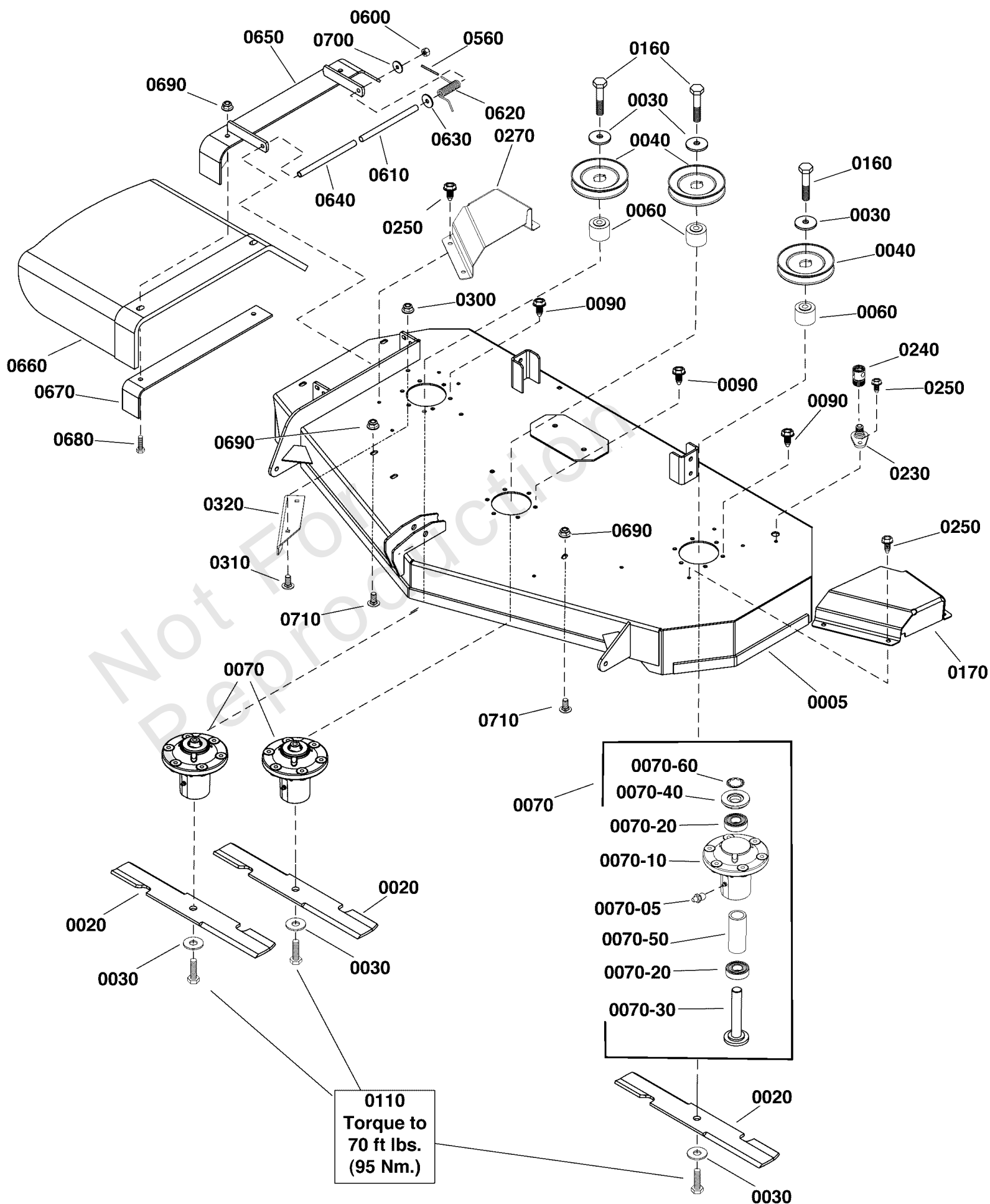
52" (132cm) Mower Deck - Clutch & Support Group

| REF NO | PART NO | QTY | DESCRIPTION |
|--------|--------------|-----|-----------------------------|
| 0010 | 5025013X14SM | 1 | BOLT, 3/8-16 X 1-3/4" |
| 0020 | 1715435SM | 1 | SPRING, EXTENSION, 1. |
| 0025 | 1758170YP | 1 | ANCHOR, Spring |
| 0030 | 706128 | 2 | SPACER, IDLER |
| 0035 | 1960071SM | 1 | WASHER-0.375(0.41IDX1 |
| 0040 | 1757823YP | 1 | PULLEY-IDLER 4" |
| 0050 | 703853 | 4 | WASHER, 0.516IDX1OD |
| 0060 | 703158 | 8 | NUT, Hex Flange, 3/8-16 |
| 0065 | 5025305SM | 1 | WASHER, .41 X 1.75 X |
| 0070 | 703591 | 3 | WASHER, .406X1.5X.12 |
| 0080 | 703878 | 3 | WASHER, FLAT |
| 0090 | 703133 | 2 | HHCS,3/8-16X2.750 |
| 0100 | 1757901YP | 1 | V-BELT, HA |
| 0110 | 7900009SM | 1 | RHSSNB, 3/8-16 X 2-1/ |
| 0120 | 1759696AYP | 1 | ARM-IDLER |
| 0130 | 1667812SM | 1 | SPACER |
| 0140 | 84003633 | 2 | PULLEY, Flat Idler |
| 0160 | 1736539YP | 2 | BOLT, SHOULDER |
| 0170 | 1736896YP | 2 | WHEEL, GAUGE |
| 0180 | 5025158SM | 2 | WASHER, 1/2" SAE |
| 0185 | 0020X3MA | 2 | WASHER,SPRING .52X.99 |
| 0190 | 704054 | 2 | PIN, 3/8-16 |
| 0200 | 403162MA | 3 | PIN, Hair, 3/32 |
| 0240 | 1722819SM | 1 | PIN, Flat Head, .496 x 2.12 |

52" (132cm) Mower Deck - Housing, Arbors & Blades Group

Note: Unless noted otherwise, use the standard torque specifications

Mfg. No: 2691829-02



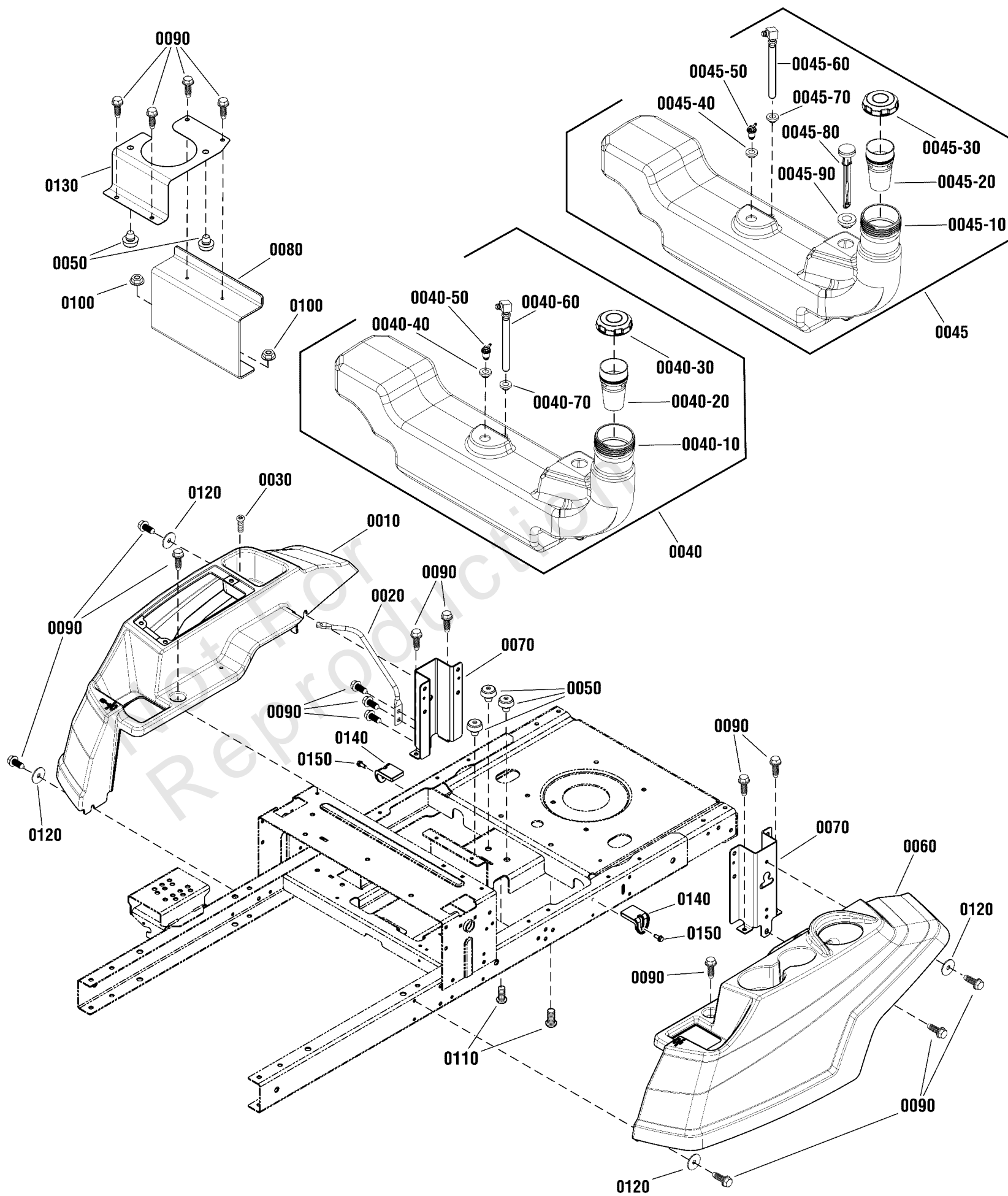
52" (132cm) Mower Deck - Housing, Arbors & Blades Group

| REF NO | PART NO | QTY | DESCRIPTION |
|---------|--------------|-----|--|
| 0005 | 1687852YP | 1 | DECK, Mower w/Decals Orange, 52" |
| 0020 | 80112564S | 1 | BLADE, 18" Set of 3 -(Set of 3 blades) |
| 0030 | 1656916SM | 6 | WASHER, SPRING 0.475I |
| 0040 | 1732951SM | 3 | PULLEY-04.60 OD 1.000 |
| 0060 | 706362 | 3 | SPACER, HUB |
| 0070 | 84003174 | 3 | ARBOR ASSEMBLY |
| 0070-05 | 1704314SM | 1 | LUBE FITTING, .250 DR |
| 0070-10 | 84003653 | 1 | HOUSING ASSEMBLY |
| 0070-20 | 1735399YP | 2 | BEARING, Ball, 20mm |
| 0070-30 | 84003655 | 1 | SHAFT, Mower Spindle |
| 0070-40 | 84003166 | 1 | COVER, ARBOR |
| 0070-50 | 84003167 | 1 | SPACER, BEARING |
| 0070-60 | 1960766YP | 1 | RING, SELF LOCKING |
| 0090 | 704146 | 18 | SCREW, HEX, 5/16-18X1 |
| 0110 | 1920676SM | 3 | CAPSCREW, Hex Head, 7/16-14 X 1 |
| 0160 | 1921212SM | 3 | CAPSCREW, Hex Head, 7/16-14 X 1 1/2 |
| 0170 | 1759303AYP | 1 | COVER, Arbor, LH |
| 0230 | 1756247YP | 1 | ADAPTER, Washout Port |
| 0240 | 1756246YP | 1 | CONNECTOR, Washout Port |
| 0250 | 1664847CAYP | 9 | SCREW, Hex Washer Head, Taptite, 5/16-18 x 3/4 |
| 0270 | 1759305AYP | 1 | COVER, Arbor, RH |
| 0300 | 703115 | 2 | NUT |
| 0310 | 703185 | 2 | BOLT, Round Head, Short Square Neck |
| 0320 | 5405557AYP | 1 | PLATE, Deflector, 52" Deck - Blk |
| 0560 | 5023489SM | 1 | CAP, PROTECTOR, .120 |
| 0600 | 5025045SM | 2 | NUT, 5/16-24 HEX NYLO |
| 0610 | 5042555SM | 1 | ROD, BRAKE LINKAGE |
| 0620 | 5023385SM | 1 | SPRING, TORSION |
| 0630 | 5025164SM | 1 | WASHER, 5/16" FENDER |
| 0640 | 5050086X8SM | 1 | TORSION SPRING SPACER |
| 0650 | 5413404AYP | 1 | MOUNT, Discharge |
| 0660 | 5413498YP | 1 | CHUTE, Discharge |
| 0670 | 5413401AYP | 1 | SUPPORT |
| 0680 | 5025146X12YP | 2 | BOLT, 3/8-16 X 1-1/2 |
| 0690 | 703158 | 4 | NUT, Hex Flange, 3/8-16 |
| 0700 | 703302 | 2 | WASHER, 5/16 |
| 0710 | 703448 | 2 | BOLT, 3/8-16X.75 G5 |

Body & Fuel Tank Group

Note: Unless noted otherwise, use the standard torque specifications

Mfg. No: 2691829-02



Body & Fuel Tank Group

| REF NO | PART NO | QTY | DESCRIPTION |
|---------|------------|-----|--|
| 0010 | 84008779 | 1 | FENDER, Right |
| 0020 | 1759369YP | 1 | ROD, Support |
| 0030 | 703953 | 1 | SCREW, 1/4-20X5/8 |
| 0040 | 1758202YP | 1 | FUEL TANK ASSEMBLY, No Fuel Gauge -(Includes item Nos. 0040-10 thru 0040-70) |
| 0040-10 | ----- | 1 | TANK, Fuel -(Order item 0040) |
| 0040-20 | ----- | 1 | NECK, Fuel Filter -(Order item 0040) |
| 0040-30 | 1758314YP | 1 | CAP-FUEL TANK |
| 0040-40 | 799624 | 1 | GROMMET |
| 0040-50 | 770046 | 1 | VENT, Remote |
| 0040-60 | 1758927YP | 1 | TUBE-PICK UP |
| 0040-70 | 1726400SM | 1 | BUSHING |
| 0045 | 1758919YP | 1 | FUEL TANK ASSEMBLY. W / Fuel Gauge -(Includes item Nos. 0045-10 thru 0045-90) |
| 0045-10 | ----- | 1 | TANK, Fuel -(Order item 0045) |
| 0045-20 | ----- | 1 | NECK, Fuel Filter -(Order item 0045) |
| 0045-30 | 1758314YP | 1 | CAP-FUEL TANK |
| 0045-40 | 799624 | 1 | GROMMET |
| 0045-50 | 770046 | 1 | VENT, Remote |
| 0045-60 | 1758927YP | 1 | TUBE-PICK UP |
| 0045-70 | 1726400SM | 1 | BUSHING |
| 0045-80 | 1758928YP | 1 | GAUGE-FUEL |
| 0045-90 | 84004692 | 1 | GROMMET |
| 0050 | 197546GS | 5 | MOUNT-VIBRATION |
| 0060 | 1758076YP | 1 | FENDER-LEFT |
| 0070 | 1758239AYP | 2 | SUPPORT-FENDER |
| 0080 | 84002196 | 1 | BRACKET |
| 0090 | 703228 | 18 | SCREW, 5/16-18 X .75 |
| 0100 | 5025394SM | 2 | NUT, 3/8-16 HEX NYLOCK |
| 0110 | 704038 | 2 | SCREW |
| 0120 | 1960044SM | 4 | WASHER-0.312(0.33IDX1 |
| 0130 | 1759140AYP | 1 | STRAP-FUEL TANK |
| 0140 | 1760244YP | 2 | SUPPORT, Fuel Tank |
| 0150 | 703054 | 2 | SCREW, 1/4-20X0.625 |

Controls Group

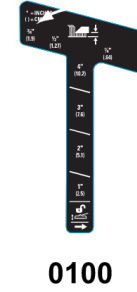
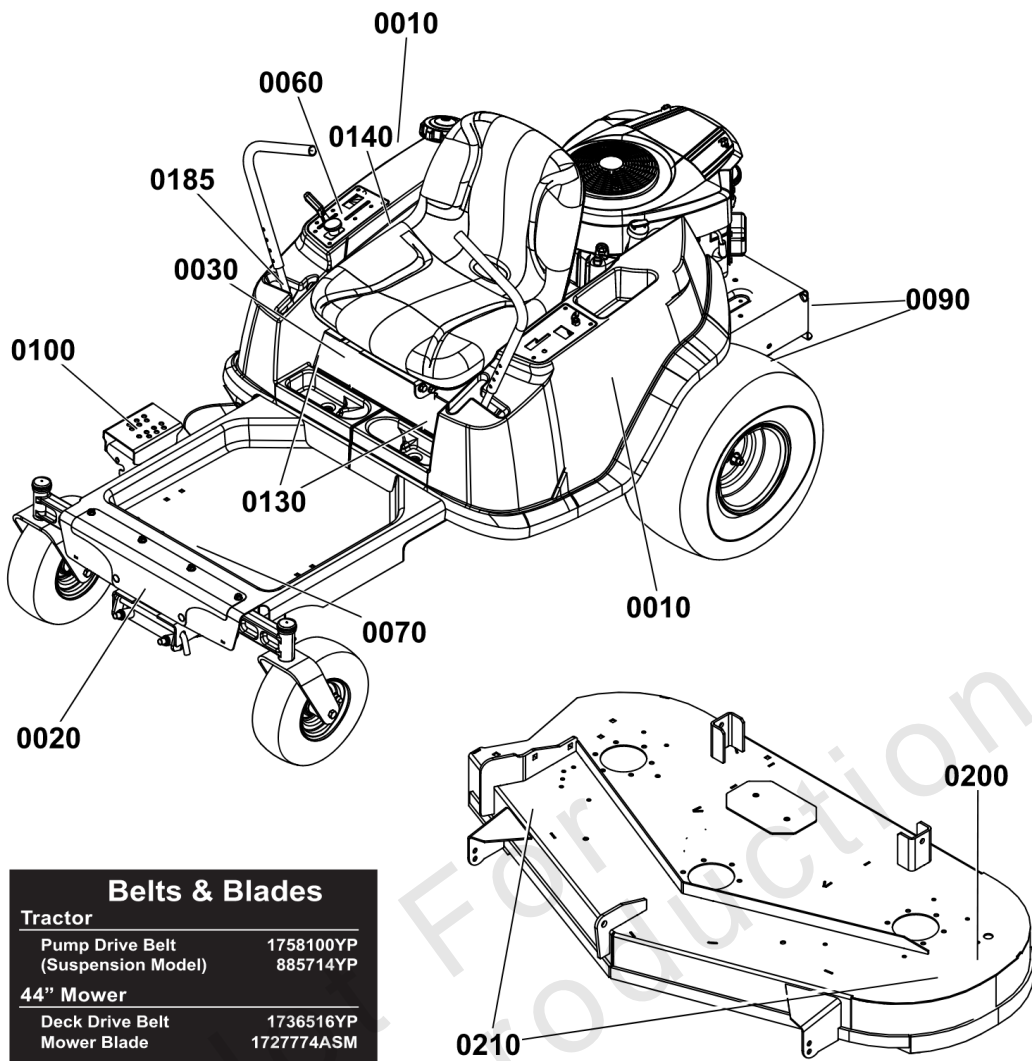
Note: Unless noted otherwise, use the standard torque specifications

Mfg. No: 2691829-02



Controls Group

| REF NO | PART NO | QTY | DESCRIPTION |
|--------|------------|-----|-----------------------|
| 0010 | 1758372YP | 2 | HANDLE, CONTROL |
| 0020 | 703115 | 4 | NUT |
| 0030 | 703483 | 4 | BOLT,5/16-18X1.000,RO |
| 0040 | 1757965YP | 2 | ARM, UPPER CONTROL |
| 0050 | 707624 | 2 | BOLT,SHLDR,5/16-18 |
| 0060 | 1757964YP | 2 | ARM, LOWER CONTROL |
| 0070 | 2176440SM | 4 | BUSHING-0.765IDX |
| 0080 | 703949 | 10 | SCREW, 5/16-18.625 |
| 0090 | 1758087AYP | 2 | PIVOT, Inner Control |
| 0100 | 5022308SM | 2 | BODY CLIP, 5/16-18 X |
| 0110 | 1758373YP | 2 | KNOB, 5/16-18 X 2.5 |
| 0120 | 1650347SM | 2 | SPRING-COMP 0.50 IDX |
| 0130 | 5025211SM | 4 | PIN, HAIR, .0585" X 1 |
| 0140 | 1758463YP | 2 | ROD, DAMPNER MNT |
| 0150 | 84001625 | 2 | DAMPENER |
| 0160 | 1759182YP | 2 | LATCH, CONTROL ARM |
| 0170 | 703101 | 4 | BOLT,1/4-20X.75 |
| 0180 | 703463 | 4 | NUT, GR5,1/4-20 |
| 0190 | 707625 | 2 | WSHR, 3 WAVE, .750 |
| 0200 | 703902 | 2 | NUT, HEX, 5/16-18 |



| Belts & Blades | |
|--------------------|-------------|
| Tractor | |
| Pump Drive Belt | 1758100YP |
| (Suspension Model) | 885714YP |
| 44" Mower | |
| Deck Drive Belt | 1736516YP |
| Mower Blade | 1727774ASM |
| 46" Mower | |
| Deck Drive Belt | 1736516YP |
| Mower Blade | 1737228BZYP |
| 48" Mower | |
| Deck Drive Belt | 1736516YP |
| Mower Blade | 1759055YP |

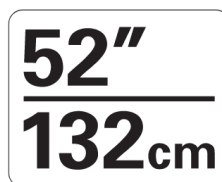
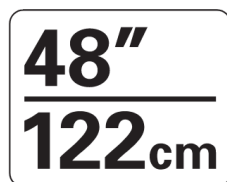
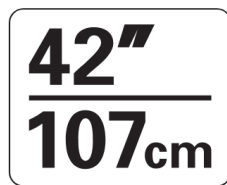
1759772

0140

| Belts & Blades | |
|---------------------|-------------|
| Tractor | |
| Pump Drive Belt | 1758100YP |
| (Suspension Models) | 885714YP |
| 42" Mower | |
| Deck Drive Belt | 1758101YP |
| Mower Blade | 1758878BMYP |
| 52" Mower | |
| Deck Drive Belt | 1757901YP |
| Mower Blade | 1756152AYP |

1759773

0140



0010



0020



0030

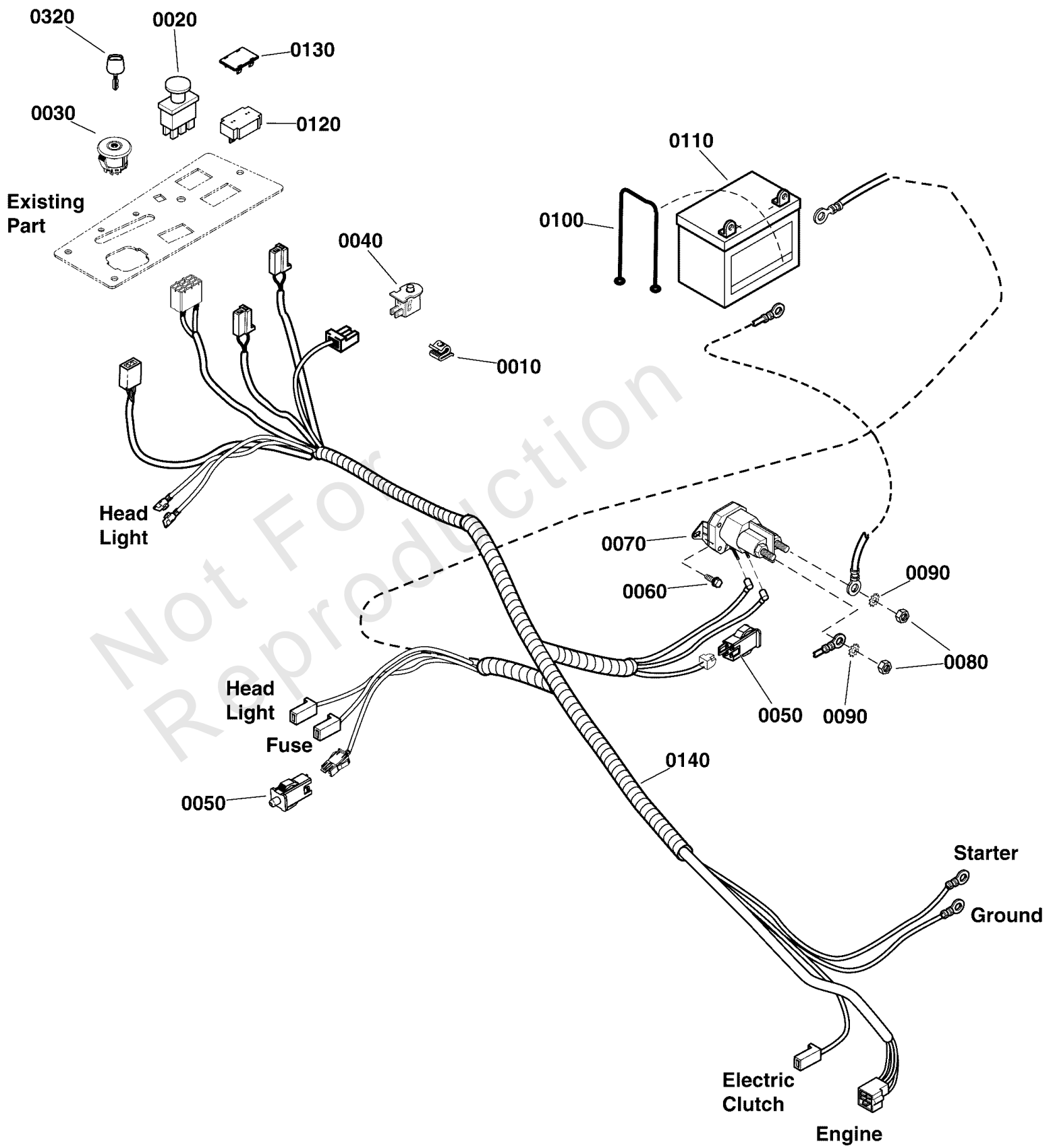
Decals Group

| REF NO | PART NO | QTY | DESCRIPTION |
|---------|-----------|-----|---------------------------------|
| 0010 | 1760170YP | 2 | DECAL, Logo, Snapper |
| 0020 | 1750913YP | 1 | DECAL, SNAPPER LOGO |
| 0030 | 1758364YP | 1 | DECAL, 360Z |
| 0060 | 7105868YP | 1 | DECAL, ENGINE SPEED |
| 0070 | 84003344 | 1 | DECAL, MAIN, SAFETY |
| 0070-10 | 1759648YP | 1 | DECAL, Safety Inst. |
| 0090 | 1758366YP | 2 | DECAL, Tow Release |
| 0100 | 1759253YP | 1 | DECAL, Height of Cut |
| 0130 | 1759724YP | 2 | DECAL, Tracking Adjustment - ZT |
| 0140 | 1759772YP | 1 | DECAL, Service Parts |
| 0140 | 1759773YP | 1 | DECAL, Service Parts |
| 0185 | 84011099 | 1 | DECAL, Integrated Parking Brake |
| 0200 | 1755716YP | 1 | DECAL, 42"/107cm |
| 0200 | 1755718YP | 1 | DECAL, 46"/117cm |
| 0200 | 1755719YP | 1 | DECAL, 48"/122cm |
| 0200 | 1755721YP | 1 | DECAL, 52"/132cm |
| 0210 | 7101665YP | 2 | DECAL, DANGER |
| 0220 | 706111 | 2 | DECAL, DISCHARGE |

Electrical Group

Note: Unless noted otherwise, use the standard torque specifications

Mfg. No: 2691829-02



Electrical Group

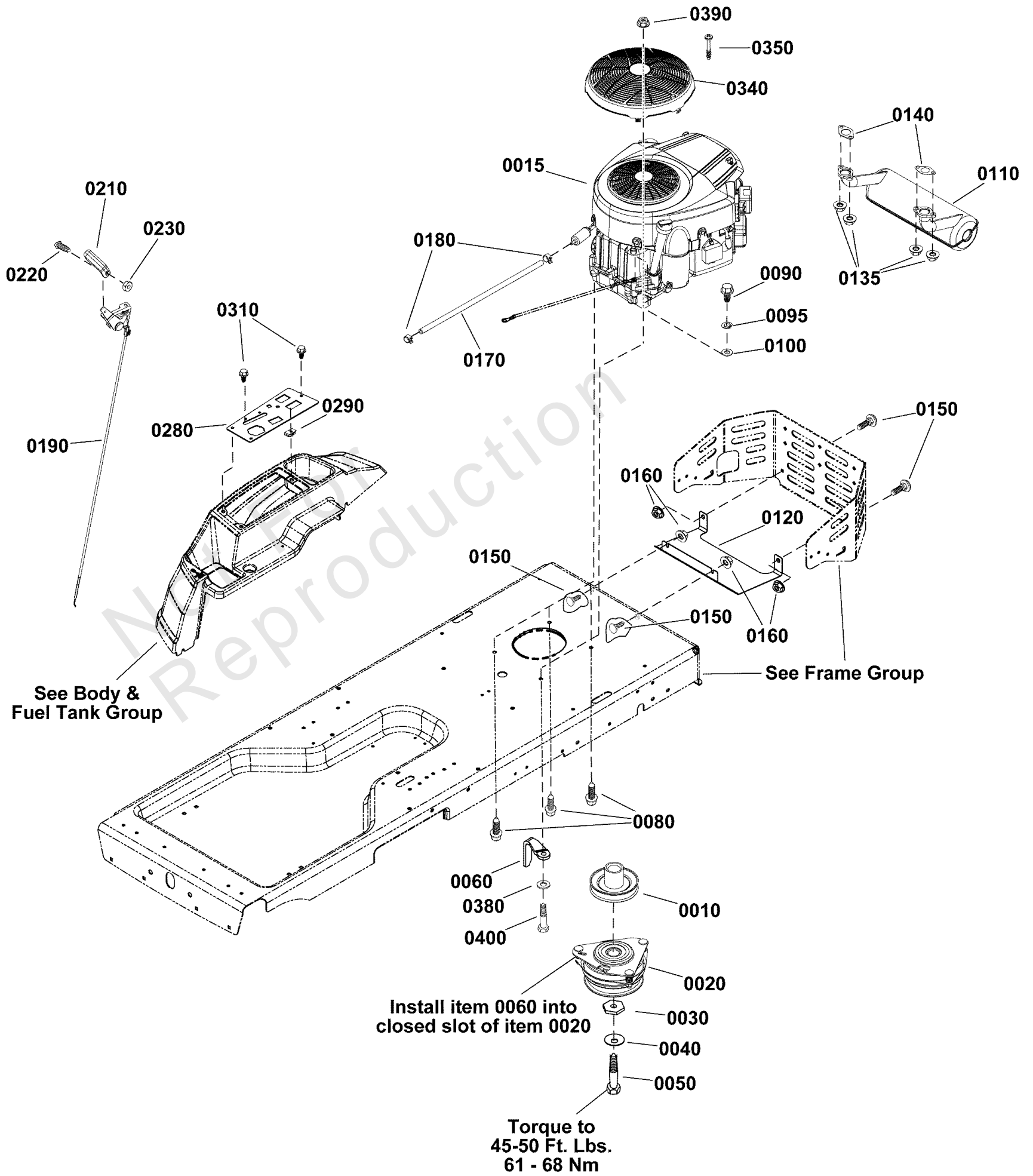
| REF NO | PART NO | QTY | DESCRIPTION |
|--------|-----------|-----|--|
| 0010 | 2172434SM | 2 | CLIP- WIRE DIA .390 |
| 0020 | 1722887SM | 1 | SWITCH-PTO PUSH |
| 0030 | 7106169YP | 1 | SWITCH, IGNITION, DEL |
| 0040 | 7023354YP | 1 | SWITCH, SEAT |
| 0050 | 7022886YP | 2 | SWITCH, DP NO/NC SNAP |
| 0060 | 1960252SM | 2 | BOLT-RD HD SH SQ NK 1 |
| 0070 | 1755382YP | 1 | SOLENOID |
| 0080 | 703463 | 2 | NUT, GR5,1/4-20 |
| 0090 | 703061 | 3 | NUT, HEX KEPS, 1/4-20 |
| 0100 | 1722009SM | 1 | STRAP, Rubber, 13" |
| 0110 | ----- | 1 | BATTERY, 12 VOLT, 230 CCA -(Not a serviceable part) |
| 0120 | 1731185SM | 1 | METER-HOUR DIGITAL NO |
| 0130 | 1722611SM | 1 | PLUG-HOLE BLACK |
| 0140 | 84002334 | 1 | HARNESS ASSEMBLY |
| 0320 | 7106170YP | 1 | KEY, Ignition Switch, Pack of 2, NA/AU |

Not For Reproduction

Engine Group

Note: Unless noted otherwise, use the standard torque specifications

Mfg. No: 2691829-02



Engine Group

| REF NO | PART NO | QTY | DESCRIPTION |
|--------|----------------|-----|--|
| 0015 | 44U777-0010-G1 | 1 | * ENGINE, 23 Gross HP B&S, Twin -(Engine Model: 44U777-0010-G1) |
| 0015 | 44S977-0046-G1 | 1 | * ENGINE, 25 Gross HP B&S, Twin -(Engine Model: 44S977-0046-G1) |
| 0010 | 1757995YP | 1 | ASSEMBLY-PULLEY |
| 0020 | 1736105SM | 1 | CLUTCH, ELECTRIC |
| 0030 | 1708264SM | 1 | WASHER, HEX, 0.453ID |
| 0040 | 1960769YP | 2 | WASHER, Belleville |
| 0050 | 771023 | 1 | CAPSCREW, Hex Head, Loctite, 7/16-20 x 3 1/2 |
| 0060 | 1737421AYP | 1 | GUIDE, Belt |
| 0080 | 2828635SM | 3 | SCREW-HEX WSHR HD TAP |
| 0090 | 703054 | 1 | SCREW, 1/4-20X0.625 |
| 0095 | 703332 | 1 | WASHER |
| 0100 | 1921880SM | 1 | LOCKWASHER-EXTERNALTO |
| 0110 | 1758350YP | 1 | MUFFLER |
| 0120 | 1759502AYP | 1 | SHIELD, Heat |
| 0135 | 690941 | 4 | NUT |
| 0140 | 690970 | 2 | GASKET, Exhaust |
| 0150 | 703185 | 4 | BOLT, Round Head, Short Square Neck |
| 0160 | 703115 | 4 | NUT |
| 0170 | 327290MA | 1 | HOSE, Fuel |
| 0180 | 93053 | 2 | CLAMP, Hose |
| 0190 | 1759205YP | 1 | CONTROL-THROTTLE |
| 0210 | 1739312YP | 1 | KNOB, THROTTLE |
| 0220 | 797483 | 1 | SCREW |
| 0230 | 703460 | 1 | NUT, Hex #8-32 |
| 0280 | 1759429AYP | 1 | PANEL, Control |
| 0290 | 705876 | 3 | NUT |
| 0310 | 703953 | 5 | SCREW, 1/4-20X5/8 |
| 0340 | 797420YP | 1 | GUARD, Debris Screen |
| 0350 | 799359 | 1 | SCREW |
| 0380 | 5025155SM | 1 | WASHER, 5/16 |
| 0390 | 5025392SM | 1 | NUT, Ny Lock Flange, 5/16-18 |
| 0400 | 5025011X14SM | 1 | BOLT, 5/16-18 X 1-3/4 |

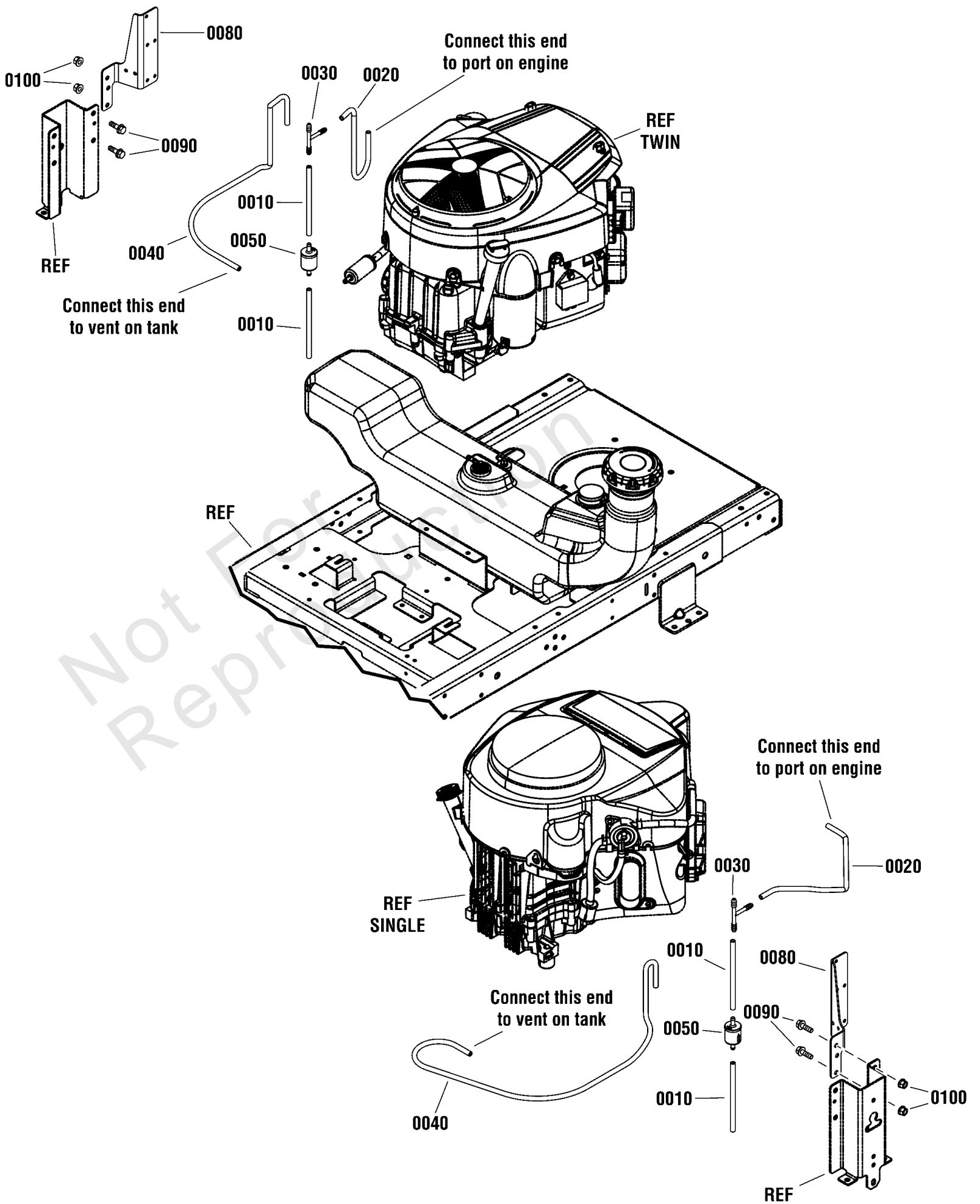
Footnotes:

Note:* See your local Briggs & Stratton distributor for parts & service.

EVAP Group

Note: Unless noted otherwise, use the standard torque specifications

Mfg. No: 2691829-02



EVAP Group

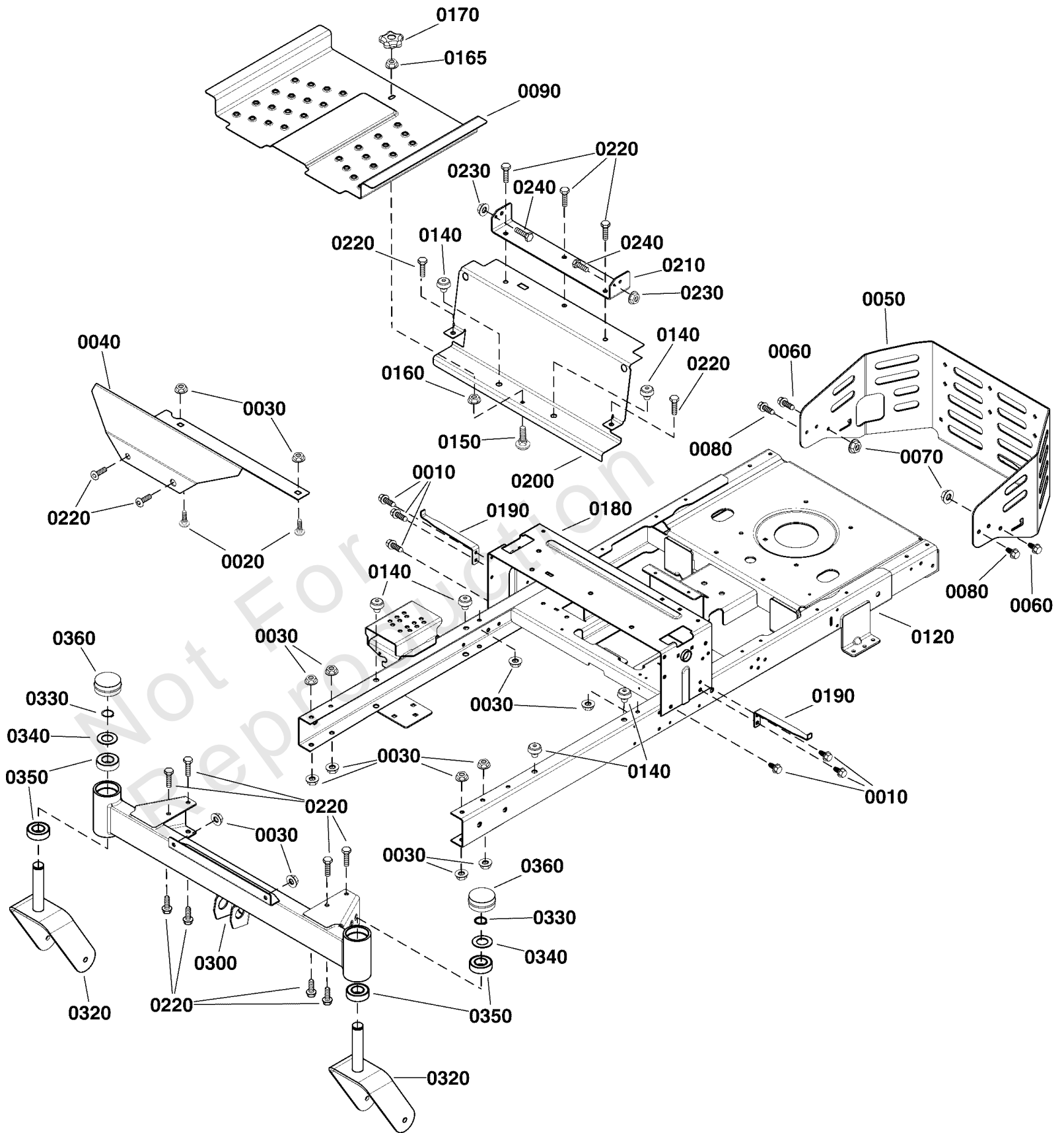
| REF NO | PART NO | QTY | DESCRIPTION |
|--------|--------------|-----|---------------------------------------|
| 0010 | 7700552X6YP | 2 | HOSE-VAPOR |
| 0020 | 7700552X12YP | 1 | HOSE, VAPOR,5MM ID,12 |
| 0030 | 5103062YP | 1 | FITTING, 3/16" TEE, B |
| 0040 | 7700552X26YP | 1 | HOSE, Vapor, 5 MM ID, 26.00 LG |
| 0050 | 84001895 | 1 | FILTER, Fuel |
| 0070 | 5021030SM | 5 | TIE WRAP, 5-1/2" LONG -(Not Shown) |
| 0080 | 1760538AYP | 1 | BRACKET |
| 0090 | 703410 | 2 | BOLT,5/16-18X1 |
| 0100 | 703115 | 2 | NUT |

Not For Reproduction

Frame Group

Note: Unless noted otherwise, use the standard torque specifications

Mfg. No: 2691829-02



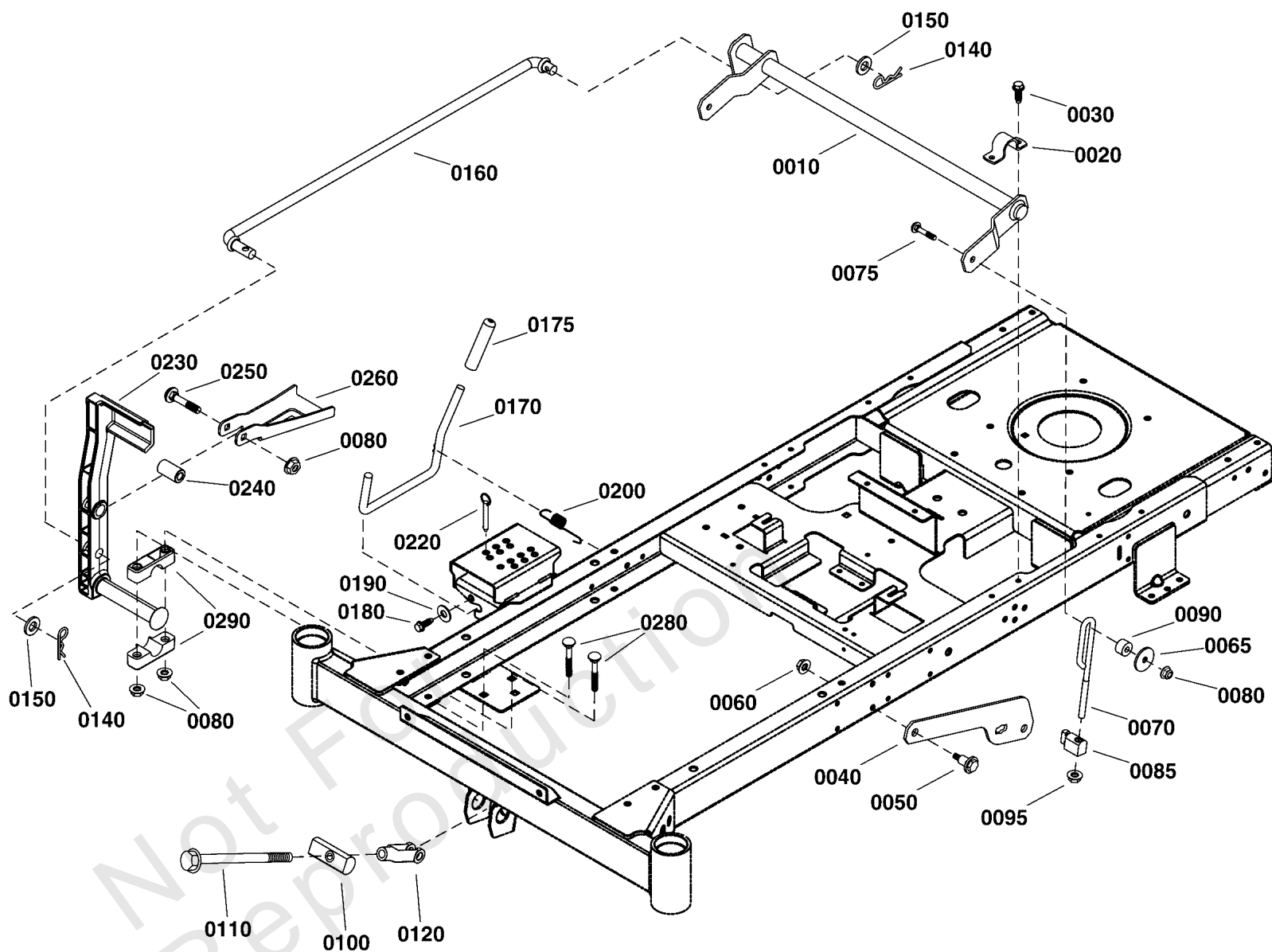
Frame Group

| REF NO | PART NO | QTY | DESCRIPTION |
|--------|------------|-----|--|
| 0010 | 703949 | 6 | SCREW, 5/16-18.625 |
| 0020 | 703448 | 2 | BOLT, 3/8-16X.75 G5 |
| 0030 | 5025394SM | 17 | NUT, 3/8-16 HEX NYLOCK |
| 0040 | 1758894DYP | 1 | FOOTREST |
| 0050 | 1759501DYP | 1 | BUMPER, Rear |
| 0060 | 703410 | 2 | BOLT,5/16-18X1 |
| 0070 | 703115 | 2 | NUT |
| 0080 | 703228 | 2 | SCREW, 5/16-18 X .75 |
| 0090 | 1757813DYP | 1 | PAN, Foot |
| 0120 | ----- | 1 | FRAME, Fixed ZT -(Not a serviceable part) |
| 0140 | 197546GS | 6 | MOUNT-VIBRATION |
| 0150 | 7090496YP | 1 | RHSSNB, 1/4C X1 GR5 Z |
| 0160 | 703233 | 1 | NUT, 1/4-20, GR5 |
| 0165 | 15X143MA | 1 | NUT,25-20 HEX FLG CTR |
| 0170 | 707785 | 1 | KNOB |
| 0180 | 1758010DYP | 1 | BRACKET, Control |
| 0190 | 1758240AYP | 2 | BRACKET, Fender |
| 0200 | 1757796DYP | 1 | BRACKET, Brand |
| 0210 | 84001615 | 1 | BRACKET, Seat |
| 0220 | 707790 | 15 | SCREW, Button Head, 3/8-16 X .88 |
| 0230 | 5025339YP | 2 | NUT |
| 0240 | 707790 | 2 | SCREW, Button Head, 3/8-16 X .88 |
| 0300 | 84001616 | 1 | AXLE, Front, Red |
| 0320 | 84003844 | 2 | CASTER, Front, Red |
| 0330 | 703993 | 2 | RETAINER, EXT RING, 1 |
| 0340 | 703199 | 2 | WASHER, 1 |
| 0350 | 1758354YP | 4 | BEARING |
| 0360 | 5105524YP | 2 | CAP |

Lift Group

Note: Unless noted otherwise, use the standard torque specifications

Mfg. No: 2691829-02



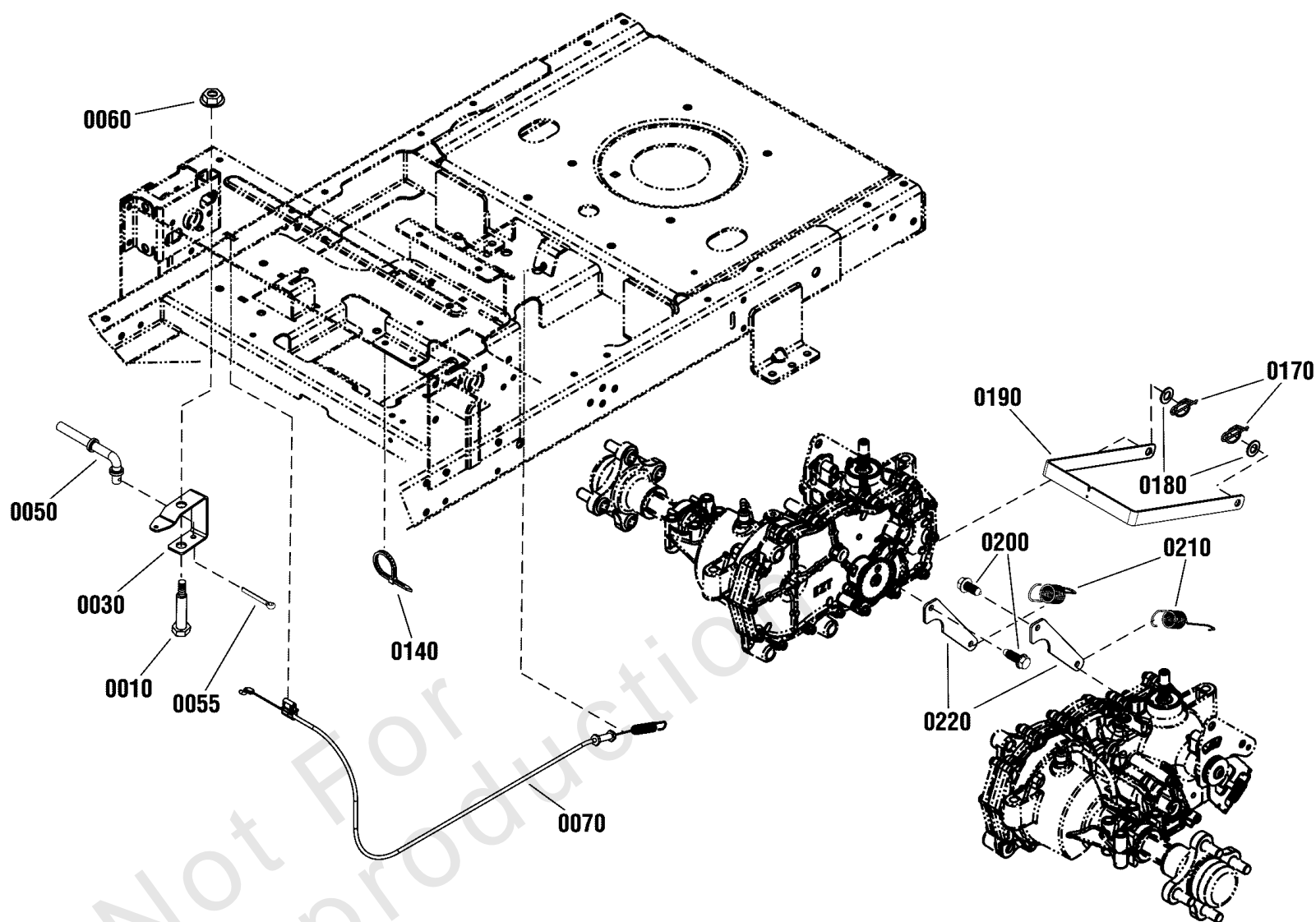
Lift Group

| REF NO | PART NO | QTY | DESCRIPTION |
|--------|-------------|-----|-------------------------|
| 0010 | 1757958AYP | 1 | SHAFT |
| 0020 | 1720147BZYP | 2 | STRAP, 1 IN. DIA |
| 0030 | 703949 | 4 | SCREW, 5/16-18.625 |
| 0040 | 1757953AYP | 2 | ARM, Lift |
| 0050 | 1732426SM | 2 | BOLT-SHLDR 5/16-18 0. |
| 0060 | 703115 | 2 | NUT |
| 0065 | 5025305SM | 2 | WASHER, .41 X 1.75 X |
| 0070 | 84003818 | 2 | ROD, Lift |
| 0075 | 703406 | 2 | CAPSCREW,3/8-16X1.5 |
| 0080 | 703158 | 7 | NUT, Hex Flange, 3/8-16 |
| 0085 | 84003820 | 2 | TRUNNION |
| 0090 | 5100334SM | 2 | SPACER |
| 0095 | 770225 | 2 | NUT |
| 0100 | 1757955YP | 1 | PIVOT |
| 0110 | 1757954YP | 1 | ROD |
| 0120 | 5023174SM | 1 | CLEVIS, 1/2-20, STEEL |
| 0140 | 403162MA | 2 | PIN, Hair, 3/32 X 1.6 |
| 0150 | 5025281SM | 2 | WASHER, 5/8" SAE |
| 0160 | 1758121YP | 1 | ROD |
| 0170 | 5105717YP | 1 | ROD |
| 0175 | 5021880SM | 1 | GRIP, FOAM |
| 0180 | 703054 | 2 | SCREW, 1/4-20X0.625 |
| 0190 | 5025288YP | 2 | WASHER, 1/4 FENDER |
| 0200 | 1758283YP | 1 | SPRING, EXTENSION |
| 0220 | 5103021YP | 1 | HITCH PIN, 3/8 X 2-1/ |
| 0230 | 1758232YP | 1 | PEDAL |
| 0240 | 1756612YP | 1 | BUSHING, DIFF. LOCK |
| 0250 | 7900009SM | 1 | RHSSNB, 3/8-16 X 2-1/ |
| 0260 | 1758284AYP | 1 | BRACKET |
| 0280 | 1960615SM | 4 | BOLT-RD HD SQ NK 3/8 |
| 0290 | 5100634SM | 4 | PIVOT BLOCK, PLASTIC |

Parking Brake Group

Note: Unless noted otherwise, use the standard torque specifications

Mfg. No: 2691829-02



Parking Brake Group

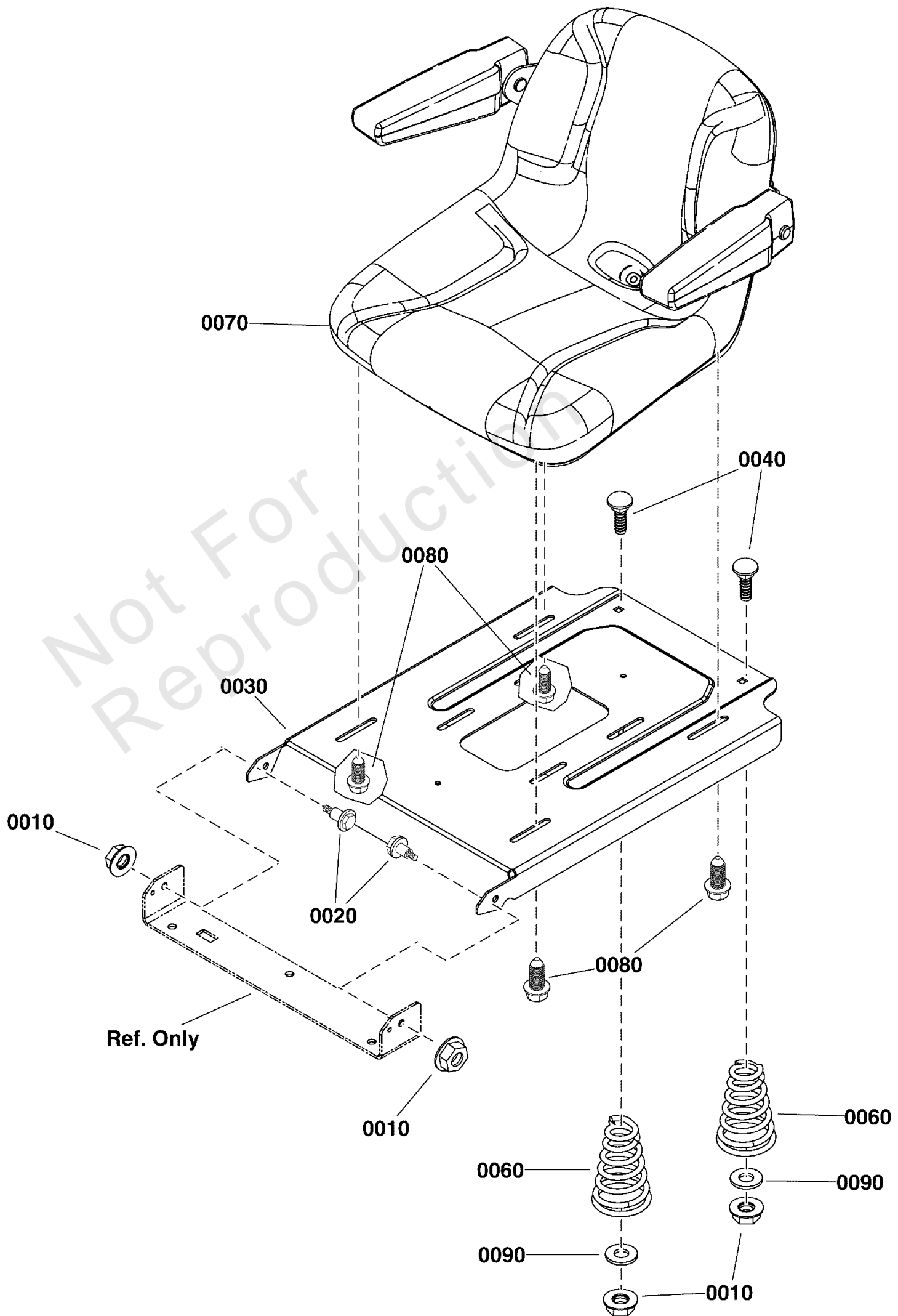
| REF NO | PART NO | QTY | DESCRIPTION |
|--------|------------|-----|--------------------------|
| 0010 | 1736539YP | 1 | BOLT, SHOULDER |
| 0030 | 1758091YP | 1 | BELLCRANK, Parking Brake |
| 0050 | 84004366 | 1 | ROD, Parking Brake |
| 0055 | 703312 | 1 | PIN, COTTER, 3/32X.75 |
| 0060 | 703158 | 1 | NUT, Hex Flange, 3/8-16 |
| 0070 | 1759207YP | 1 | CABLE, PARKING BRAKE |
| 0140 | 703586 | 1 | TIE, SELF LOCKING |
| 0170 | 7091594SM | 2 | COTTER PIN, 1/2 SELF, |
| 0180 | 703946 | 2 | WASHER, .39IDX.72OD |
| 0190 | 1758126AYP | 1 | ARM, Parking Brake |
| 0200 | 708964 | 2 | SCREW |
| 0210 | 1758283YP | 2 | SPRING, EXTENSION |
| 0220 | 1759349YP | 2 | BRACKET, Spring |

Not For Reproduction

Seat Group

Note: Unless noted otherwise, use the standard torque specifications

Mfg. No: 2691829-02



Seat Group

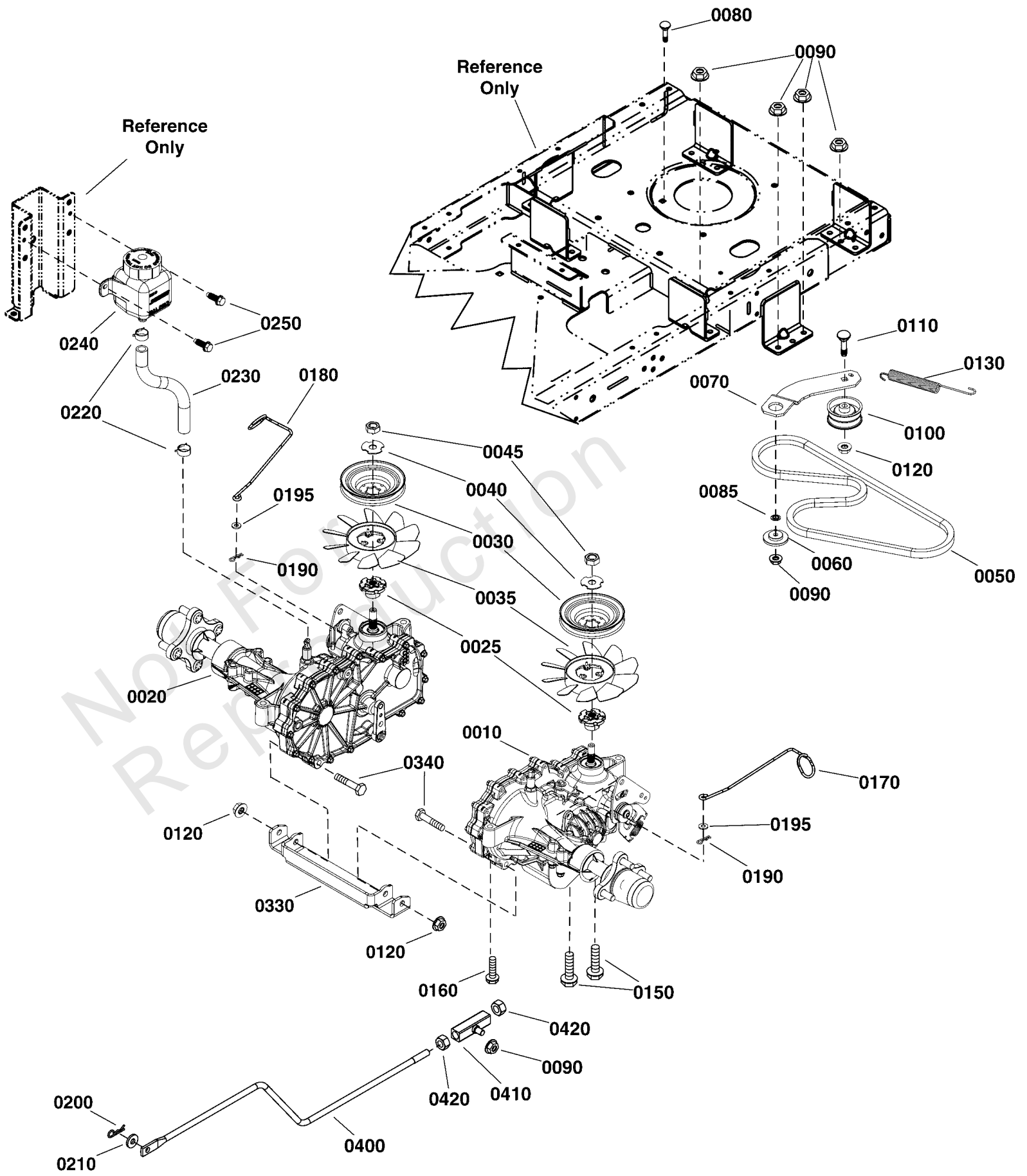
| REF NO | PART NO | QTY | DESCRIPTION |
|--------|-----------|-----|--------------------------|
| 0010 | 703115 | 4 | NUT |
| 0020 | 1752802YP | 2 | BOLT, SHLDR, 5/16-18 |
| 0030 | 84001618 | 1 | SLIDE, SEAT |
| 0040 | 703483 | 2 | BOLT,5/16-18X1.000,RO |
| 0060 | 1717051SM | 2 | SPRING, Seat |
| 0070 | 84003851 | | SEAT ASSEMBLY w/Armrests |
| 0080 | 1960667SM | 4 | SCREW-HEX WZ LOCK FLN |
| 0090 | 703591 | 4 | WASHER, .406X1.5X.12 |

Not For Reproduction

Transmission Group

Note: Unless noted otherwise, use the standard torque specifications

Mfg. No: 2691829-02



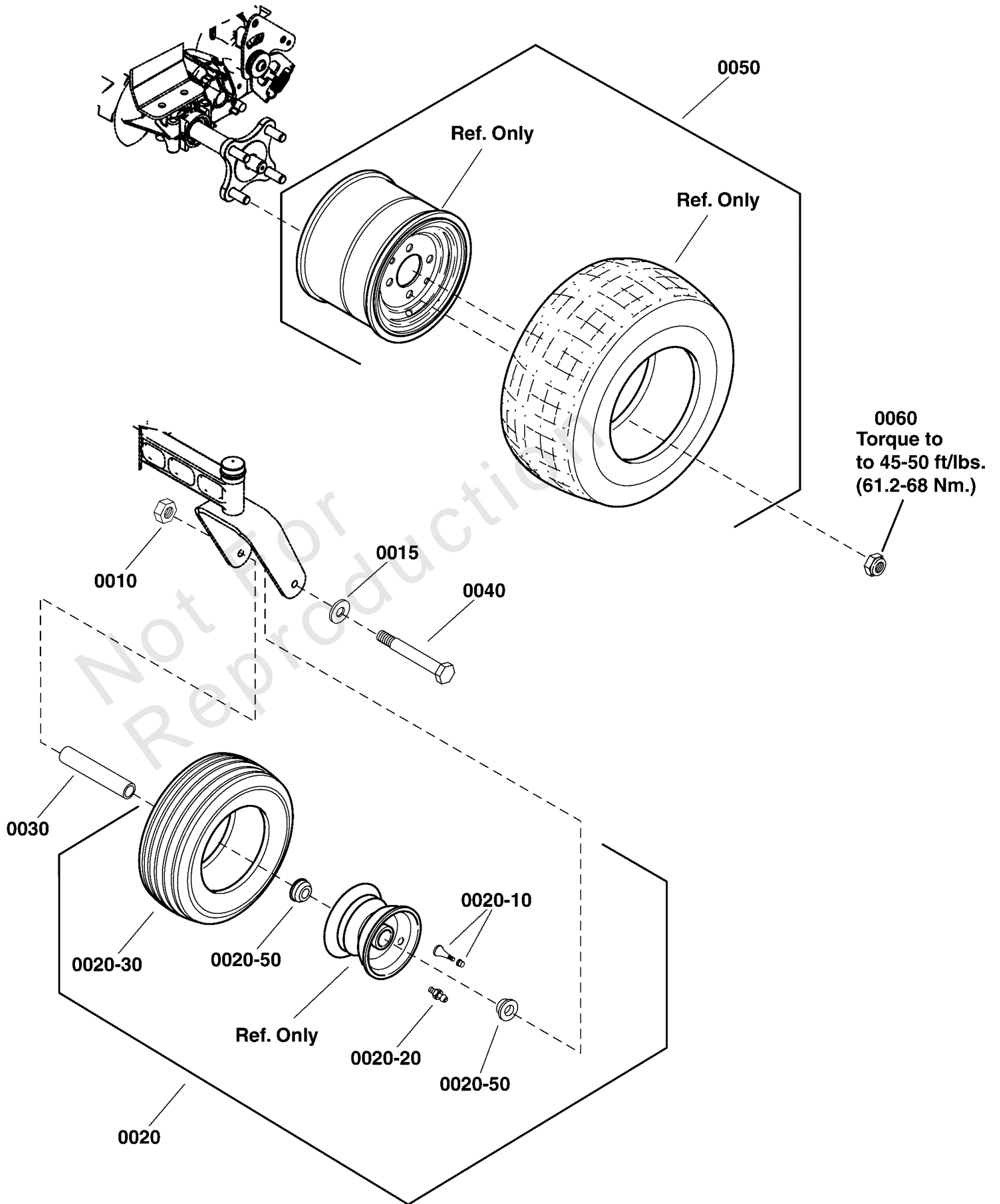
Transmission Group

| REF NO | PART NO | QTY | DESCRIPTION |
|--------|--------------|-----|---|
| 0010 | 84003845 | 1 | TRANSMISSION, LH, Hydro Gear ZT 2800 -(Hydro Gear part Nos. ZH-JPBB-3F7B-2XLX) |
| 0020 | 84003846 | 1 | TRANSMISSION, RH, Hydro Gear ZT 2800 -(Hydro Gear part Nos. ZH-MPBB-3F7C-3XLX) |
| 0025 | 84003847 | 2 | HUB |
| 0030 | 1759447YP | 2 | PULLEY, Transmission |
| 0035 | 1759448YP | 2 | FAN, Input |
| 0040 | 5102914YP | 2 | WASHER, ZT5400, SLOTT |
| 0045 | 5102916YP | 2 | NUT, ZT5400 |
| 0050 | 1758100YP | 1 | BELT-TRANSMISSION |
| 0060 | 1727935SM | 1 | SPACER-PIVOT 0.330ID |
| 0070 | 1758044AYP | 1 | ARM, Idler |
| 0080 | 703800 | 1 | BOLT, CRRG, 5/16-18X1 |
| 0085 | 703297 | 1 | RETAINER, GR5, 5/16 |
| 0090 | 703115 | 11 | NUT |
| 0100 | 1668477SM | 1 | PULLEY, Idler, 2.25" OD, .378 ID |
| 0110 | 703879 | 1 | BOLT, SQ, 3/8-16X1.75 |
| 0120 | 5025394SM | 3 | NUT, 3/8-16 HEX NYLOCK |
| 0130 | 1758045YP | 1 | SPRING-EXTENSION |
| 0150 | 707943 | 4 | SCREW |
| 0160 | 707944 | 4 | SCREW, Washer Head, 5/16-18 X 2 1/4 |
| 0170 | 1759245YP | 1 | ROD, Release, LH |
| 0180 | 1759246YP | 1 | ROD, Release, RH |
| 0190 | 703430 | 2 | PIN, 13X1.19 |
| 0195 | 703332 | 2 | WASHER |
| 0200 | 703300 | 2 | PIN, 3/32 X 1.6 |
| 0210 | 704128 | 2 | WASHER |
| 0220 | 5025474SM | 4 | CLAMP - HOSE |
| 0230 | 5050857X9SM | 2 | HOSE, 1/2" PUSH |
| 0240 | 5100473SM | 2 | RESERVOIR |
| 0250 | 703054 | 4 | SCREW, 1/4-20X0.625 |
| 0330 | 1759172AYP | 1 | SUPPORT |
| 0340 | 5025013X20SM | 2 | BOLT, 3/8-16 X 2-1/2" |
| 0400 | 84002180 | 2 | CONTROL ROD, Transmission |
| 0410 | 84002181 | 2 | TRUNNION |
| 0420 | 7090460SM | 4 | NUT, 7/16F, GR5, Hex |
| 0500 | 7600158YP | 1 | KIT, Hub Replacement |

Wheel & Tire Group

Note: Unless noted otherwise, use the standard torque specifications

Mfg. No: 2691829-02



Wheel & Tire Group

| REF NO | PART NO | QTY | DESCRIPTION |
|---------|-----------|-----|------------------------------------|
| 0010 | 1930650SM | 2 | NUT-HEX FLANGE 7/16-1 |
| 0015 | 703183 | 2 | WASHER, 7/16 ID X.065 |
| 0020 | 84003826 | 2 | WHEEL ASSEMBLY |
| 0020-10 | 2172353SM | 4 | VALVE STEM & CAP |
| 0020-20 | 7104428YP | 2 | ZERK, Grease |
| 0020-30 | 84004709 | 2 | TIRE |
| 0020-50 | 84003829 | 4 | BEARING, BALL |
| 0030 | 84003827 | 2 | TUBE, Caster Wheel |
| 0040 | 84003828 | 2 | CAPSCREW |
| 0050 | 1758079YP | 2 | ASSEMBLY-TIRE |
| 0060 | 5020601SM | 8 | NUT, 1/2-20, FOR WHEEL BOLT SILVER |

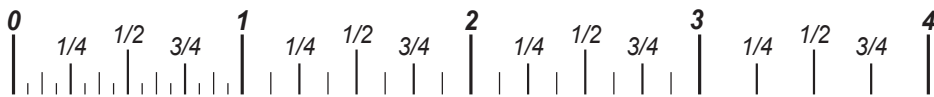
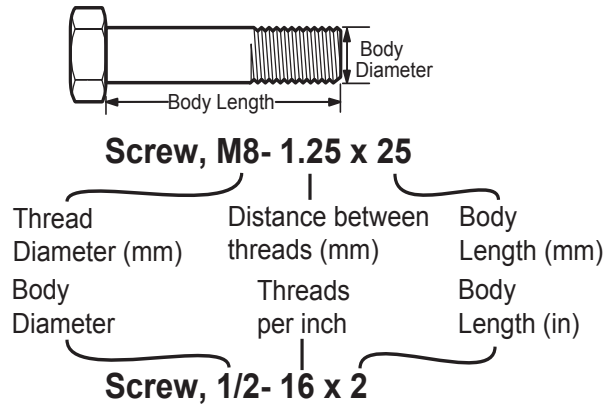
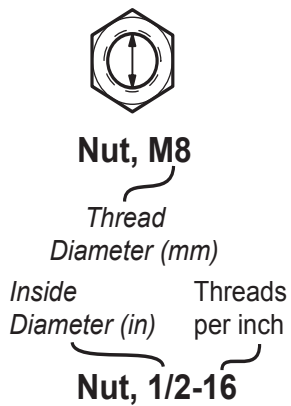
Not For Reproduction

Hardware Identification & Torque Specifications

| Torque Specification Chart | | | | | | | | |
|--|-----------|------|-----------|------|------------|------|------------|------|
| FOR STANDARD METRIC MACHINE HARDWARE (Tolerance ± 20%) | | | | | | | | |
| Property Class | 5.6 | | 8.8 | | 10.9 | | 12.9 | |
| | Class 5.6 | | Class 8.8 | | Class 10.9 | | Class 12.9 | |
| Size Of Hardware | in/lbs | | in/lbs | | in/lbs | | in/lbs | |
| | ft/lbs | Nm. | ft/lbs | Nm. | ft/lbs | Nm. | ft/lbs | Nm. |
| M3 | 5.88 | .56 | 13.44 | 1.28 | 19.2 | 1.80 | 22.92 | 2.15 |
| M4 | 13.44 | 1.28 | 30.72 | 2.90 | 43.44 | 4.10 | 52.56 | 4.95 |
| M5 | 26.4 | 2.50 | 60.96 | 5.75 | 5.97 | 8.10 | 7.15 | 9.7 |
| M6 | 44.64 | 4.3 | 7.3 | 9.9 | 10.3 | 14 | 12.1 | 16.5 |
| M7 | 5.2 | 7.1 | 12.1 | 16.5 | 16.9 | 23 | 19.9 | 27 |
| M8 | 7.7 | 10.5 | 17.7 | 24 | 25 | 34 | 29 | 40 |
| M10 | 15 | 21 | 35 | 48 | 50 | 67 | 59 | 81 |
| M12 | 26 | 36 | 61 | 83 | 86.2 | 117 | 103 | 140 |
| M14 | 42 | 58 | 101 | 132 | 136 | 185 | 162 | 220 |
| M16 | 64 | 88 | 147 | 200 | 210 | 285 | 250 | 340 |
| M18 | 89 | 121 | 202 | 275 | 287 | 390 | 346 | 470 |
| M20 | 126 | 171 | 290 | 390 | 405 | 550 | 486 | 660 |
| M22 | 169 | 230 | 390 | 530 | 559 | 745 | 656 | 890 |
| M24 | 217 | 295 | 497 | 375 | 708 | 960 | 840 | 1140 |
| M27 | 320 | 435 | 733 | 995 | 1032 | 1400 | 1239 | 1680 |
| M30 | 435 | 590 | 995 | 1350 | 1401 | 1900 | 1681 | 2280 |
| M33 | 590 | 800 | 1349 | 1830 | 1902 | 2580 | 2278 | 3090 |
| M36 | 759 | 1030 | 1740 | 2360 | 2441 | 3310 | 2935 | 3980 |
| M39 | 988 | 1340 | 2249 | 3050 | 3163 | 4290 | 3798 | 5150 |

| Torque Specification Chart | | | | | | |
|---|-------------|-------|-------------|-------|-------------|---------|
| FOR STANDARD MACHINE HARDWARE (Tolerance ± 20%) | | | | | | |
| Hardware Grade | No Marks | | SAE Grade 5 | | SAE Grade 8 | |
| | SAE Grade 2 | | SAE Grade 5 | | SAE Grade 8 | |
| Size Of Hardware | in/lbs | | in/lbs | | in/lbs | |
| | ft/lbs | Nm. | ft/lbs | Nm. | ft/lbs | Nm. |
| 8-32 | 19 | 2.1 | 30 | 3.4 | 41 | 4.6 |
| 8-36 | 20 | 2.3 | 31 | 3.5 | 43 | 4.9 |
| 10-24 | 27 | 3.1 | 43 | 4.9 | 60 | 6.8 |
| 10-32 | 31 | 3.5 | 49 | 5.5 | 68 | 7.7 |
| 1/4-20 | 66 | 7.6 | 8 | 10.9 | 12 | 16.3 |
| 1/4-28 | 76 | 8.6 | 10 | 13.6 | 14 | 19.0 |
| 5/16-18 | 11 | 15.0 | 17 | 23.1 | 25 | 34.0 |
| 5/16-24 | 12 | 16.3 | 19 | 25.8 | 29 | 34.0 |
| 3/8-16 | 20 | 27.2 | 30 | 40.8 | 45 | 61.2 |
| 3/8-24 | 23 | 31.3 | 35 | 47.6 | 50 | 68.0 |
| 7/16-14 | 30 | 40.8 | 50 | 68.0 | 70 | 95.2 |
| 7/16-20 | 35 | 47.6 | 55 | 74.8 | 80 | 108.8 |
| 1/2-13 | 50 | 68.0 | 75 | 102.0 | 110 | 149.6 |
| 1/2-20 | 55 | 74.8 | 90 | 122.4 | 120 | 163.2 |
| 9/16-12 | 65 | 88.4 | 110 | 149.6 | 150 | 204.0 |
| 9/16-18 | 75 | 102.0 | 120 | 163.2 | 170 | 231.2 |
| 5/8-11 | 90 | 122.4 | 150 | 204.0 | 220 | 299.2 |
| 5/8-18 | 100 | 136 | 180 | 244.8 | 240 | 326.4 |
| 3/4-10 | 160 | 217.6 | 260 | 353.6 | 386 | 525.0 |
| 3/4-16 | 180 | 244.8 | 300 | 408.0 | 420 | 571.2 |
| 7/8-9 | 140 | 190.4 | 400 | 544.0 | 600 | 816.0 |
| 7/8-14 | 155 | 210.8 | 440 | 598.4 | 660 | 897.6 |
| 1-8 | 220 | 299.2 | 580 | 788.8 | 900 | 1,244.0 |
| 1-12 | 240 | 326.4 | 640 | 870.4 | 1,000 | 1,360.0 |

The guides and ruler furnished below are designed to help you select the appropriate hardware.



Standard Hardware Sizing

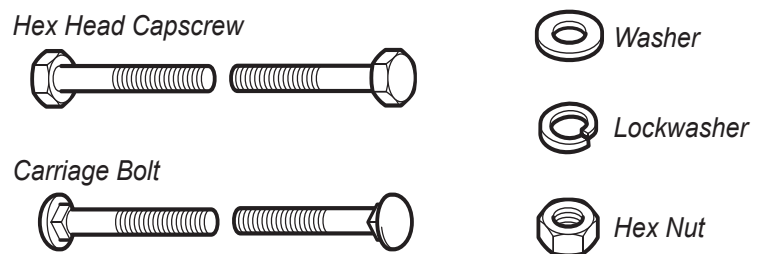
When a washer or nut is identified as 1/2" (M8), this is the *Nominal size*, meaning the *inside diameter* is 1/2 inch (8mm metric thread diameter); if a second number is present it represents the *threads per inch* (distance between threads).

When bolt or capscrew is identified as 1/2 - 16 x 2" (M8 - 1.25 x 50), this means the *Nominal size*, or body diameter is 1/2 inch (8mm metric thread diameter), the second number, 16, represents the *threads per inch*, (*distance between threads*). The final number is the body length of the bolt or screw, 2 inches (50mm).

NOTES

- These torque values are to be used for all hardware excluding: locknuts, self-tapping screws, thread forming screws, sheet metal screws and socket head setscrews.
- Recommended seating torque values for locknuts:
 - for prevailing torque locknuts - use 65% of grade 5 torques.
 - for flange whizlock nuts and screws - use 135% of grade 5 torques.
- Unless otherwise noted on assembly drawings, all torque values must meet this specification.

Common Hardware Types



Wrench & Fastener Size Guide

| | | | | |
|----------------------------------|----------------------------------|----------------------------------|--|---------------------------------|
| | | | | |
| 1/4" Bolt or Nut Wrench—7/16" | 5/16" Bolt or Nut Wrench—1/2" | 3/8" Bolt or Nut Wrench—9/16" | 7/16" Bolt or Nut Wrench (Bolt)—5/8" Wrench (Nut)—11/16" | 1/2" Bolt or Nut Wrench—3/4" |
| M6 Bolt or Nut Wrench—10mm | M8 Bolt or Nut Wrench—13mm | M10 Bolt or Nut Wrench—17mm | M12 Bolt or Nut Wrench—19mm | M14 Bolt or Nut Wrench—22mm |

