



# Parts Manual

Mfg. No: 2692023-00  
SPX110, 42" (107cm) 17.5 Gross HP SPX  
Lawn Tractor 150 Series

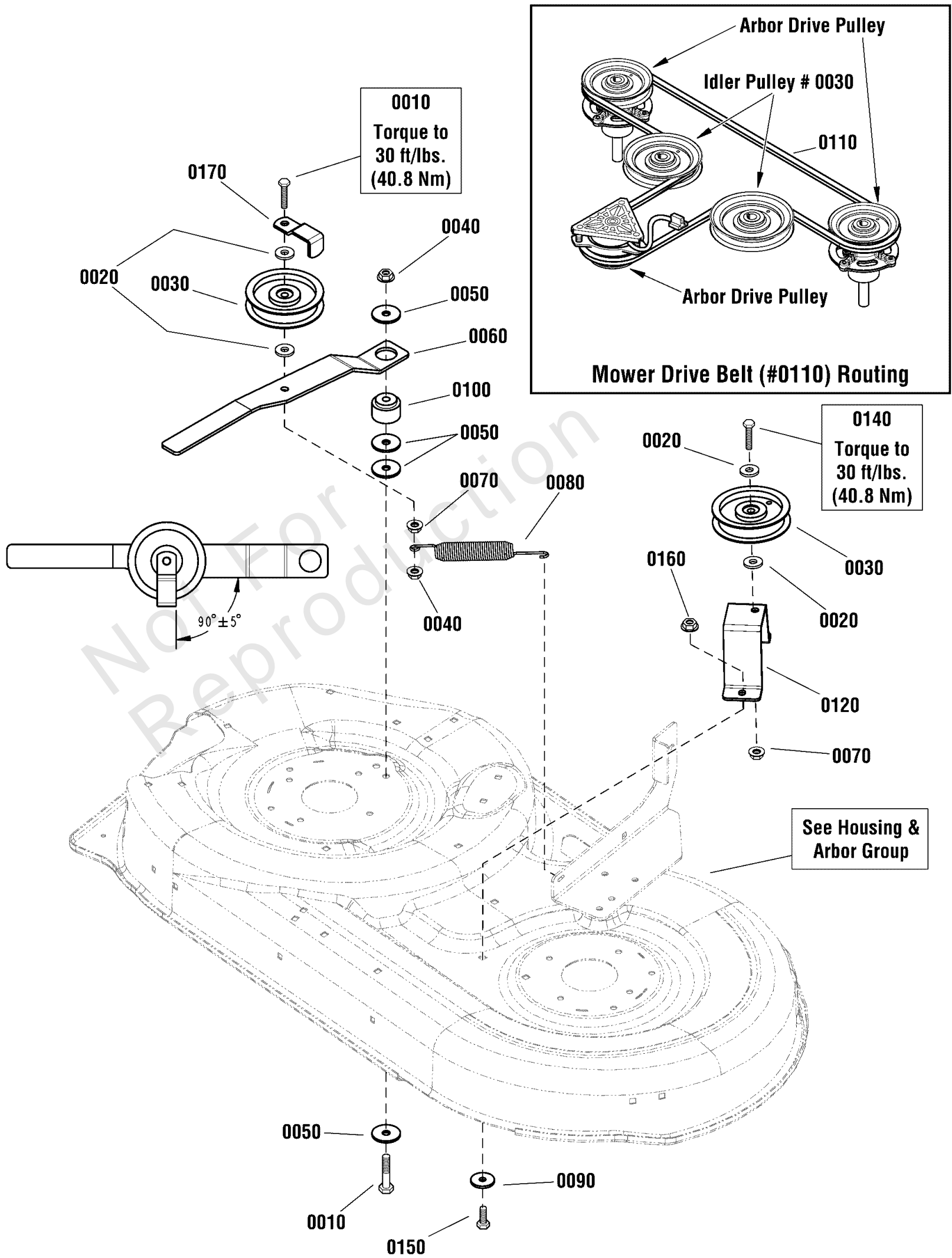


<b>Model Components</b>	<b>Page</b>
42" Mower Deck - Clutch Group.....	4
42" Mower Deck - French Guard Group.....	6
42" Mower Deck - Height Adjustment.....	8
42" Mower Deck - Housing, Arbors & Blades Group.....	10
Controls Group.....	12
Decals Group.....	14
Electrical Group.....	16
Electrical Schematic -.....	20
Electrical Schematic - Charging Circuit.....	22
Electrical Schematic - Cranking Circuit.....	24
Electrical Schematic - Headlight Circuit.....	26
Electrical Schematic - Height of Cut.....	28
Electrical Schematic - Hour Meter.....	30
Electrical Schematic - Ignition Shutdown.....	32
Electrical Schematic - PTO Clutch.....	34
Engine Group.....	36
EU Guard Group.....	38
Frame & Front Axle Group.....	40
French Guard Group.....	42
Front Axle Group.....	44
Hood, Grille & Dash Group.....	46
Lift Group - Manual.....	48
Seat Deck & Fuel Tank Group.....	50
Seat Group.....	52
Steering Group.....	54
Transmission Group.....	56
Transmission SERVICE PARTS - Tuff Torq K46BP.....	58
Wheels & Tires.....	62
Torque Specification Chart.....	64

# 42" Mower Deck - Clutch Group

Note: Unless noted otherwise, use the standard torque specifications

Mfg. No: 2692023-00



## 42" Mower Deck - Clutch Group

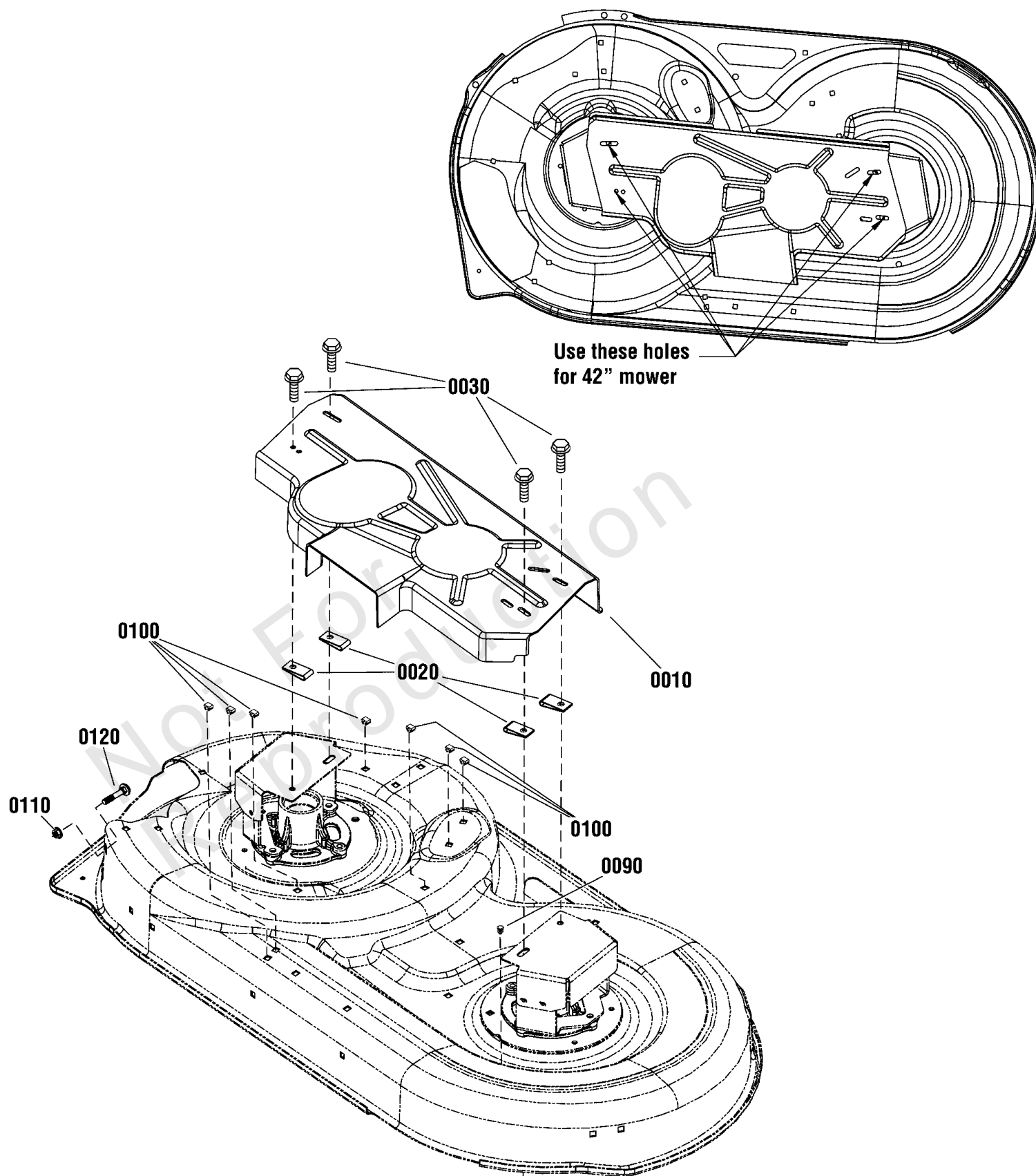
REF NO	PART NO	QTY	DESCRIPTION
0010	1922130SM	2	CAPSCREW, Hex Head, 3/8-16 x 2-1/4, G5
0020	1922755SM	4	WASHER, 3/8 x 1 OD
0030	7018574SM	2	IDLER, Flat, 4 1/8
0040	1960339SM	2	NUT, Hex Flange, 3/8-16, Locking
0050	1924356SM	4	WASHER, 3/8 x 1-1/2 OD
0060	1731944ASM	1	ARM, Idler
0070	1931211SM	2	NUT, Hex Flange Whiz Lock, 3/8-16
0080	1731311SM	1	SPRING, Extension, 1-1/32 OD x 7-3/4
0090	1933468SM	2	WASHER, 5/16 x 1-1/4 OD
0100	1729007SM	1	SPACER, 3/8 ID X 1-1/2 OD x 1-1/32
0110	1732955SM	1	V-BELT, A Wedge Deep-Groove, .44"
0120	1731911ASM	1	SUPPORT, Idler
0140	1921971SM	1	CAPSCREW, Hex Head, 3/8-16 x 1-3/4, G5
0150	1923325SM	2	CAPSCREW, Hex Head, 5/16-18 x 7/8, G5
0160	1931277SM	2	NUT, Hex Flange Whiz Lock, 5/16-18
0170	1732884ASM	1	GUARD, Spring

Not For Reproduction

# 42" Mower Deck - French Guard Group

Note: Unless noted otherwise, use the standard torque specifications

Mfg. No: 2692023-00



## 42" Mower Deck - French Guard Group

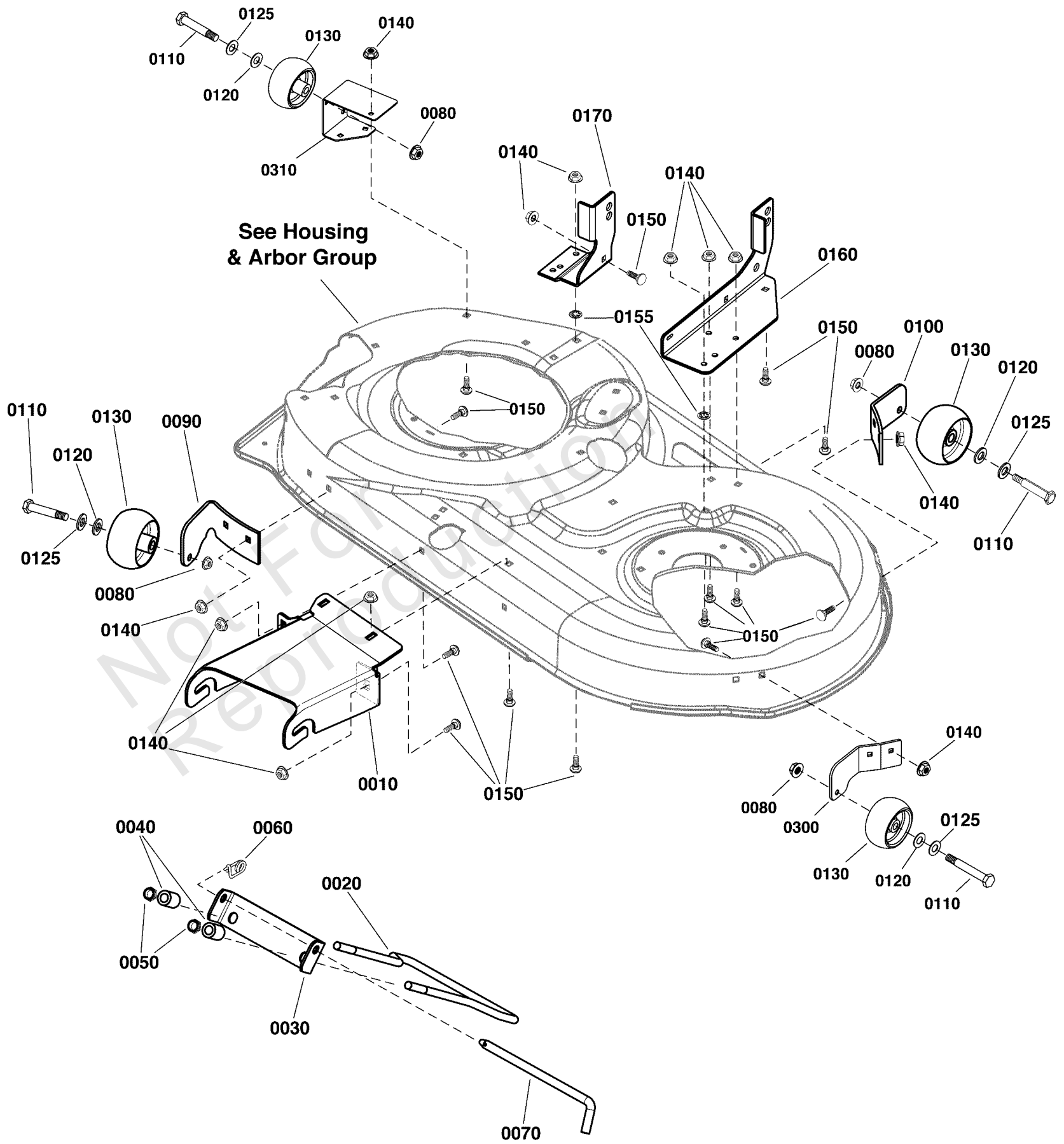
REF NO	PART NO	QTY	DESCRIPTION
0010	1751850YP	1	GUARD, Mower Housing
0020	1926018SM	4	NUT, Speed, 1/4
0030	1960295SM	4	SCREW, Hex Head, 1/4-20 x 5/8
0090	7046780SM	1	PLUG, Hole, .44" OD
0100	1705115SM	7	PLUG, Hole, 1/2 x 5/16 Inch, Rectangular
0110	703409	1	NUT, 5/16-18, GR5
0120	703185	1	BOLT, Round Head, Short Square Neck

Not For Reproduction

# 42" Mower Deck - Height Adjustment

Note: Unless noted otherwise, use the standard torque specifications

Mfg. No: 2692023-00





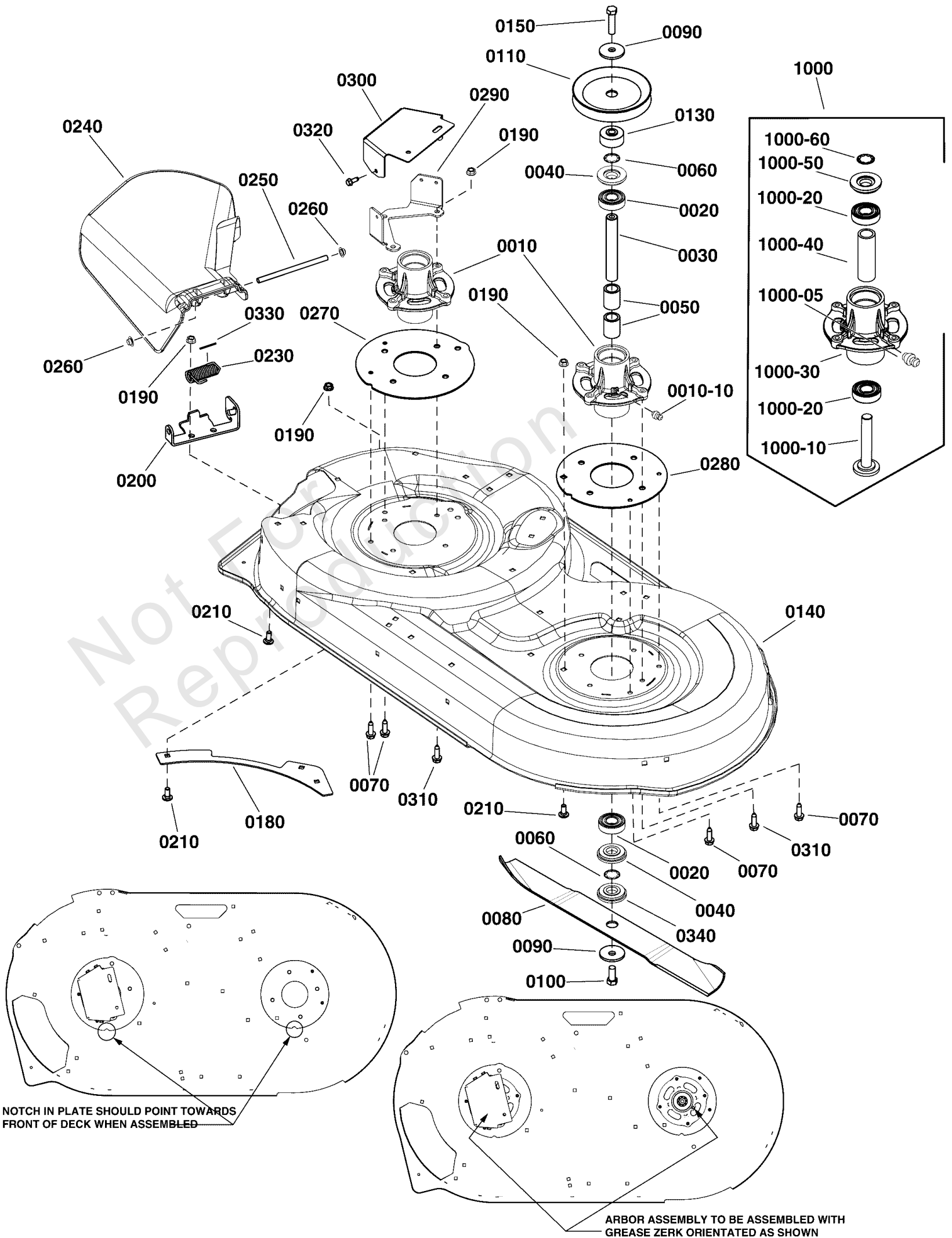
## 42" Mower Deck - Height Adjustment

REF NO	PART NO	QTY	DESCRIPTION
0010	1731966BMYP	1	HITCH, Front
0020	1730097SM	1	ROD
0030	1730221ASM	1	HANGER, Front
0040	1679166SM	2	SPACER, 1/2 x 7/8 x 1 3/16
0050	1960379SM	2	NUT, Hex Lock, 1/2-13
0060	703852	1	PIN, 5/16 X 0.375
0070	1731414SM	1	ROD, Latch
0080	703158	4	NUT, Hex Flange, ESNA, 3/8-16
0090	1731402ASM	1	SUPPORT, Gauge Wheel, RH
0100	1731403ASM	1	SUPPORT-GAUGE WHEEL L
0110	2108765SM	4	BOLT-WHEEL 3/8-16X2.7
0120	703853	4	WASHER, 0.516IDX1OD
0125	0020X3MA	4	WASHER,SPRING .52X.99
0130	1714760SM	4	GAUGE WHEEL
0140	703409	17	NUT, 5/16-18, GR5
0150	703185	17	BOLT, Round Head, Short Square Neck
0155	703297	5	RETAINER, GR5, 5/16
0160	1753662BMYP	1	SUPPORT, Mower, LH
0170	1753663BMYP	1	SUPPORT, MOWER RH 38/
0300	1732258BMYP	1	BRACKET, Gauge Wheel, Front, LH
0310	7301171BMYP	1	BRKT, WHL GAUGE, RH

# 42" Mower Deck - Housing, Arbors & Blades Group

Note: Unless noted otherwise, use the standard torque specifications

Mfg. No: 2692023-00



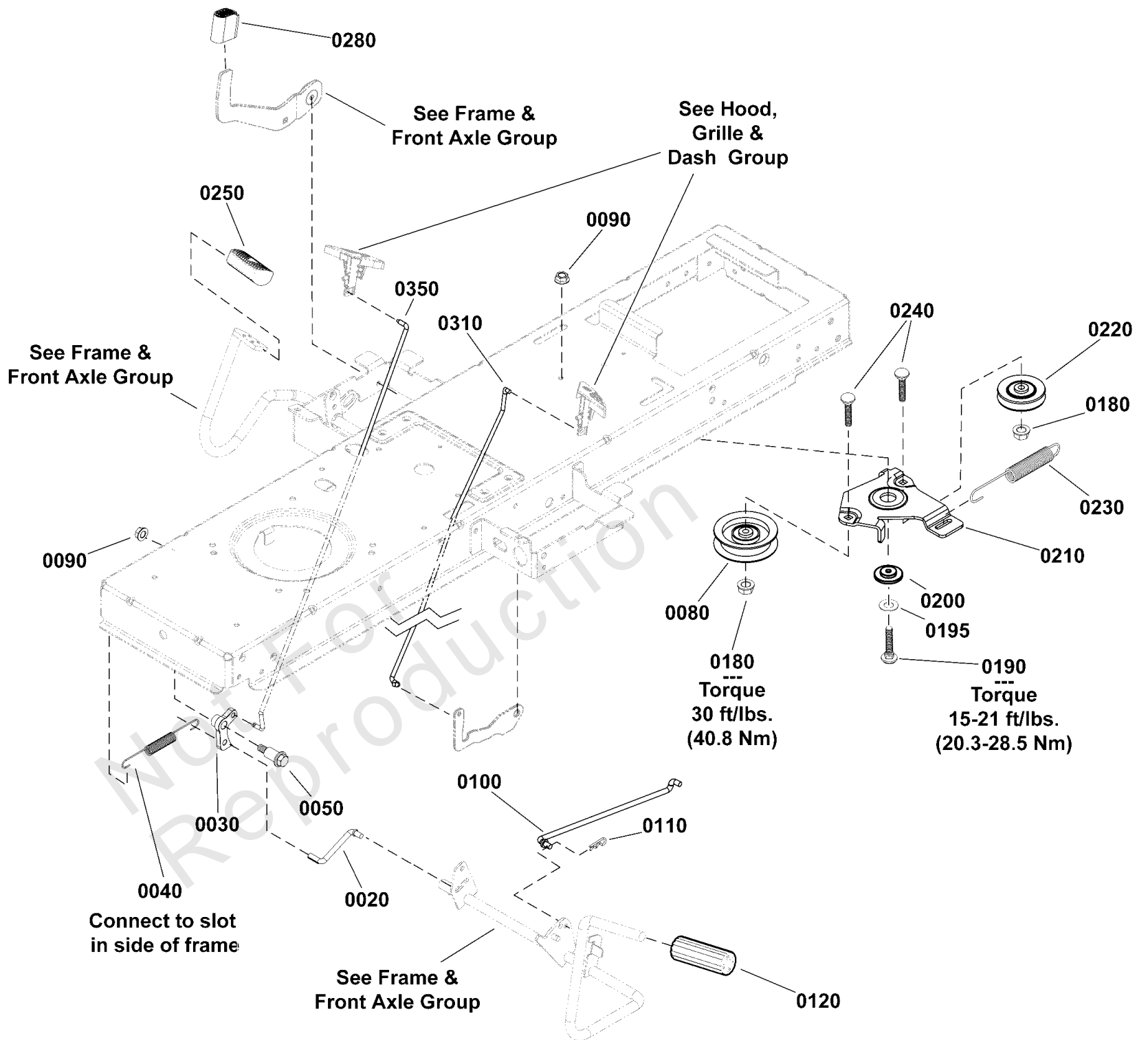
## 42" Mower Deck - Housing, Arbors & Blades Group

REF NO	PART NO	QTY	DESCRIPTION
0010	1735573YP	2	HOUSING, Spindle w/Fitting
0010-10	1704314SM	2	LUBE FITTING, .250 DR
0020	1735399YP	4	BEARING, Ball, 20mm
0030	1735326YP	2	SHAFT, Spindle -(Replaced by Ref. Nos. 1000-10, this spindle shaft is an exact replacement for the shaft, shield and ring)
0040	1735323YP	4	SHIELD, Arbor
0050	1735328YP	4	SPACER, Bearing -(Replaced by Ref. Nos. 1000-40, this spacer is an exact replacement)
0060	1960766YP	4	RING, SELF LOCKING
0070	1960373SM	4	SCREW, Hex Washer Head, Taptite, 5/16-18 x 1
0080	1752100AYP	2	BLADE, 42" Mower
0090	1656916SM	4	WASHER, SPRING 0.475I
0100	1920676SM	2	CAPSCREW, Hex Head, 7/16-14 X 1
0110	1737835YP	2	PULLEY, V, Deep Groove
0130	1737457YP	2	SPACER, Pulley
0140	1736504ZYP	1	HOUSING, Mower Deck, 42
0150	1923027SM	2	CAPSCREW, Hex Head, 7/16-14 x 1-3/4,G5
0180	092426E701MA	2	PLATE, Rear
0190	1931277SM	10	NUT, Hex Flange, Whiz Lock, 5/16-18
0200	094956E701MA	1	BRACKET - HINGE
0210	1931333SM	6	BOLT, Carriage, Short Neck, 5/16-18 x 3/4 G5
0230	0166X4MA	1	SPRING, Torsion
0240	094707MA	1	DEFLECTOR & SUPPORT ASSEMBLY
0250	094957ZMA	1	ROD, Deflector
0260	1960093SM	2	NUT, Push Pal, 3/8
0270	1750457BMYP	1	PLATE, SPINDLE, RH
0280	1750458BMYP	1	PLATE, SPINDLE, LH
0290	1752065BMYP	2	BRACKET, Guard Mount
0300	1752034BMYP	2	COVER, Mower Spindle
0310	1930600SM	8	SCREW, Hex Washer Head, Taptite, 5/16-18 x 1-1/2
0320	26X263MA	6	SCREW.25-20 S-T
0330	5023489SM	1	CAP, PROTECTOR, .120
0340	1755892YP	2	SPACER, Blade Adapter
1000	84003175	2	ARBOR ASSEMBLY
1000-05	1704314SM	1	LUBE FITTING, .250 DR
1000-10	84003170	1	SHAFT, SPINDLE
1000-20	1735399YP	2	BEARING, Ball, 20mm
1000-30	84003654	1	HOUSING ASSEMBLY
1000-40	84003167	1	SPACER, BEARING
1000-50	84003166	1	COVER, ARBOR
1000-60	1960766YP	1	RING, SELF LOCKING

# Controls Group

Note: Unless noted otherwise, use the standard torque specifications

Mfg. No: 2692023-00



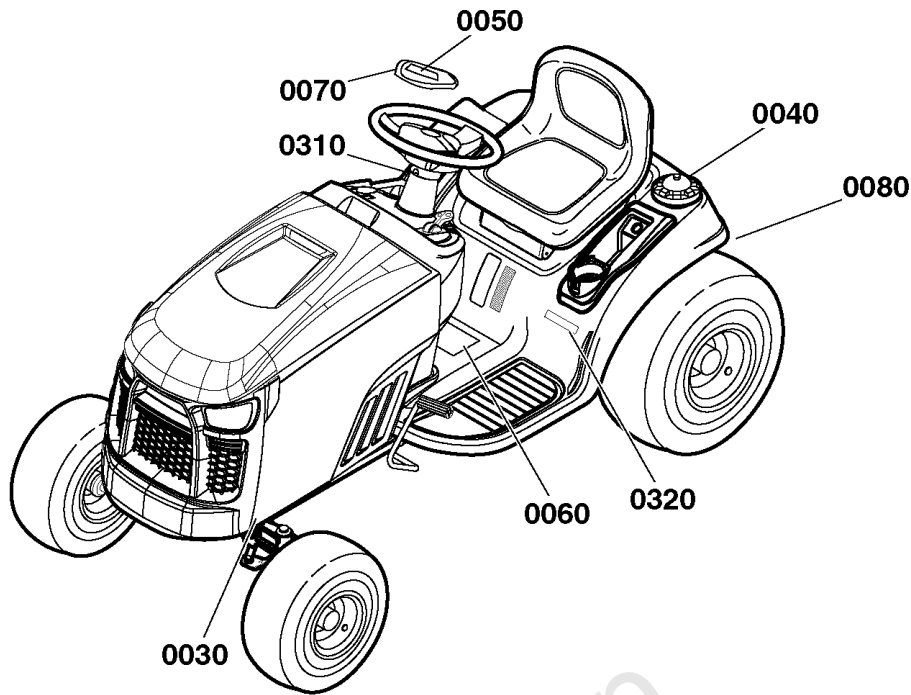
## Controls Group

REF NO	PART NO	QTY	DESCRIPTION
0020	1727899SM	1	ROD, Cruise Latch, 5/16 Dia. x 2-13/16 Long
0030	1727897SM	1	LATCH, Cruise
0040	2159181SM	1	SPRING, Extension, 9/16 OD x 7-3/4
0050	1728976SM	1	BOLT, Shoulder, 5/16-18 x 1-5/8
0080	1728000SM	1	PULLEY, Idler, 3-1/8 OD, 3/8 ID
0090	703115	2	NUT
0100	1727254SM	1	ROD, Brake Return, 5/16 Dia. x 12-5/8 Long
0110	1722460SM	1	PIN, Quick, 1-3/16 Long
0120	1727261SM	1	PEDAL-BRAKE BLACK RUB
0180	1960687SM	2	NUT, Hex Flange, ESNA, 3/8-16
0190	703570	1	CAPSCREW, Hex Head, 5/16-18 x 1 1/4
0195	1919326SM	1	WASHER, 5/16
0200	1727935SM	1	SPACER-PIVOT 0.330ID
0210	1727894ASM	1	BRACKET, Idler
0220	1728001SM	1	PULLEY, 3 OD, 3/8 ID
0230	1729620SM	1	SPRING, Extension, 1 OD x 7-1/2
0240	1931352SM	2	BOLT, Carriage, Short Neck, 3/8-16 x 1-1/2
0250	1721675SM	1	PAD, Foot Pedal, Forward
0280	1727259SM	1	PAD, Foot Pedal, Reverse
0310	1739876YP	1	ROD, Parking Brake, 1/4 Dia. x 16-3/8 Long
0350	1739877YP	1	ROD, Cruise Latch, 1/4 Dia. x 17

# Decals Group

Note: Unless noted otherwise, use the standard torque specifications

Mfg. No: 2692023-00



0030



0040



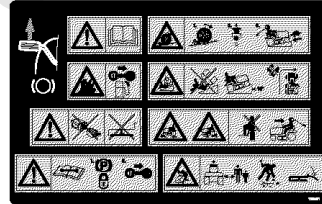
0050



0310



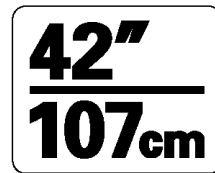
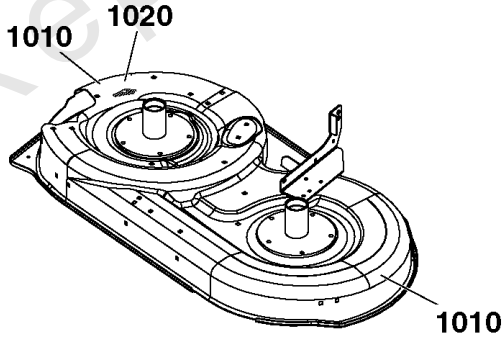
0320



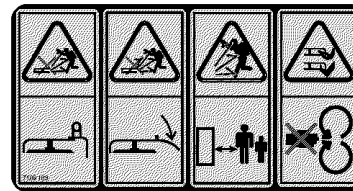
0060



0080



1010



1020

## Decals Group

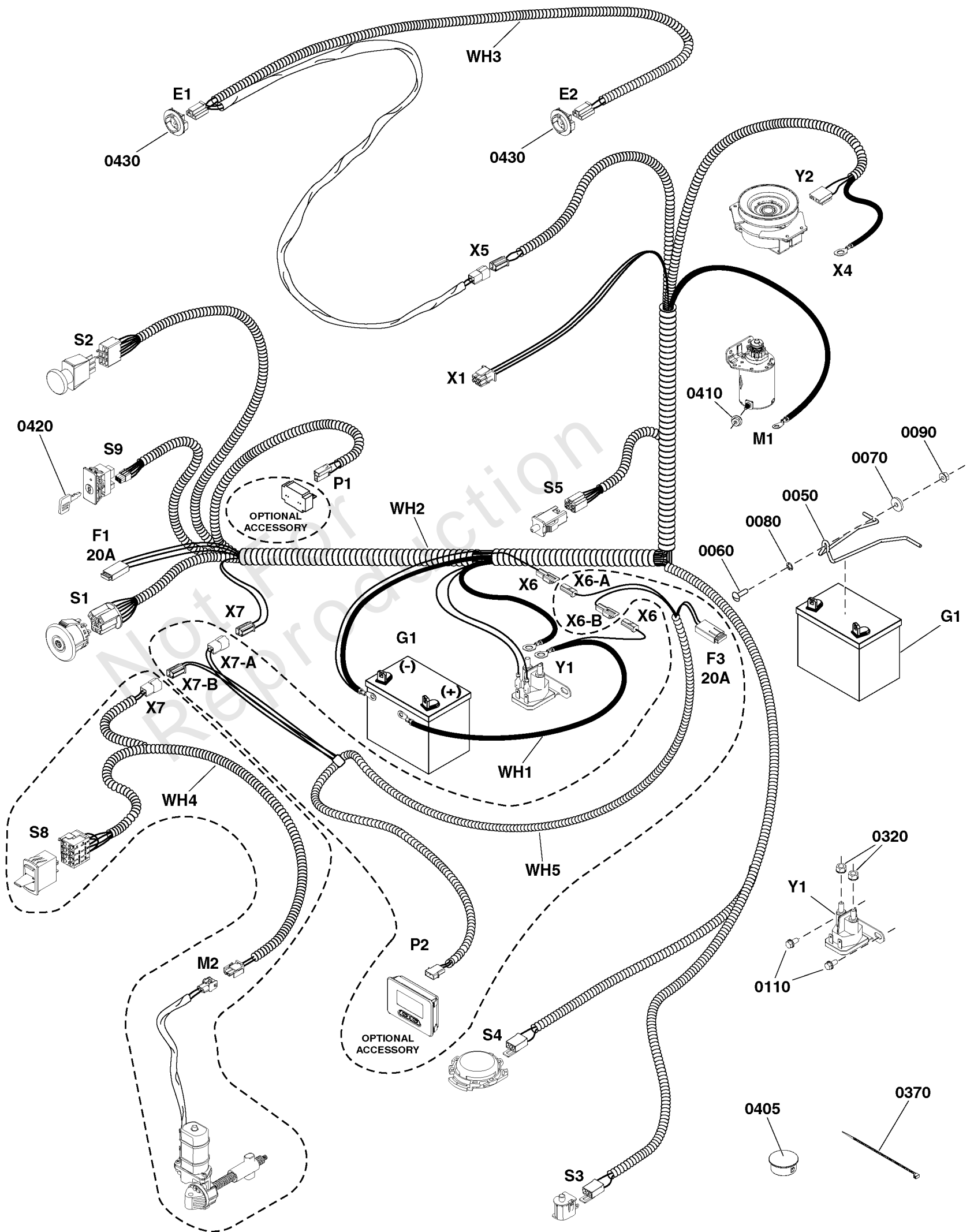
REF NO	PART NO	QTY	DESCRIPTION
0030	7104875YP	2	DECAL, Front Cover, SPX Series
0040	1750913YP	1	DECAL, SNAPPER LOGO
0050	84002249	1	DECAL, Snapper Logo, 3.1" X .8"
0060	1750191YP	1	DECAL, Tunnel, Export
0070	84002250	1	CAP, Steering Wheel
0080	1730202SM	1	DECAL, Transmission Tow / Release Lever
0310	1754246YP	1	DECAL, Powered by Briggs
0320	84002243	1	DECAL, SPX110
1010	1755716YP	1	DECAL, 42"/107cm
1020	7106109YP	1	DECAL, Danger

Not For Reproduction

# Electrical Group

Note: Unless noted otherwise, use the standard torque specifications

Mfg. No: 2692023-00





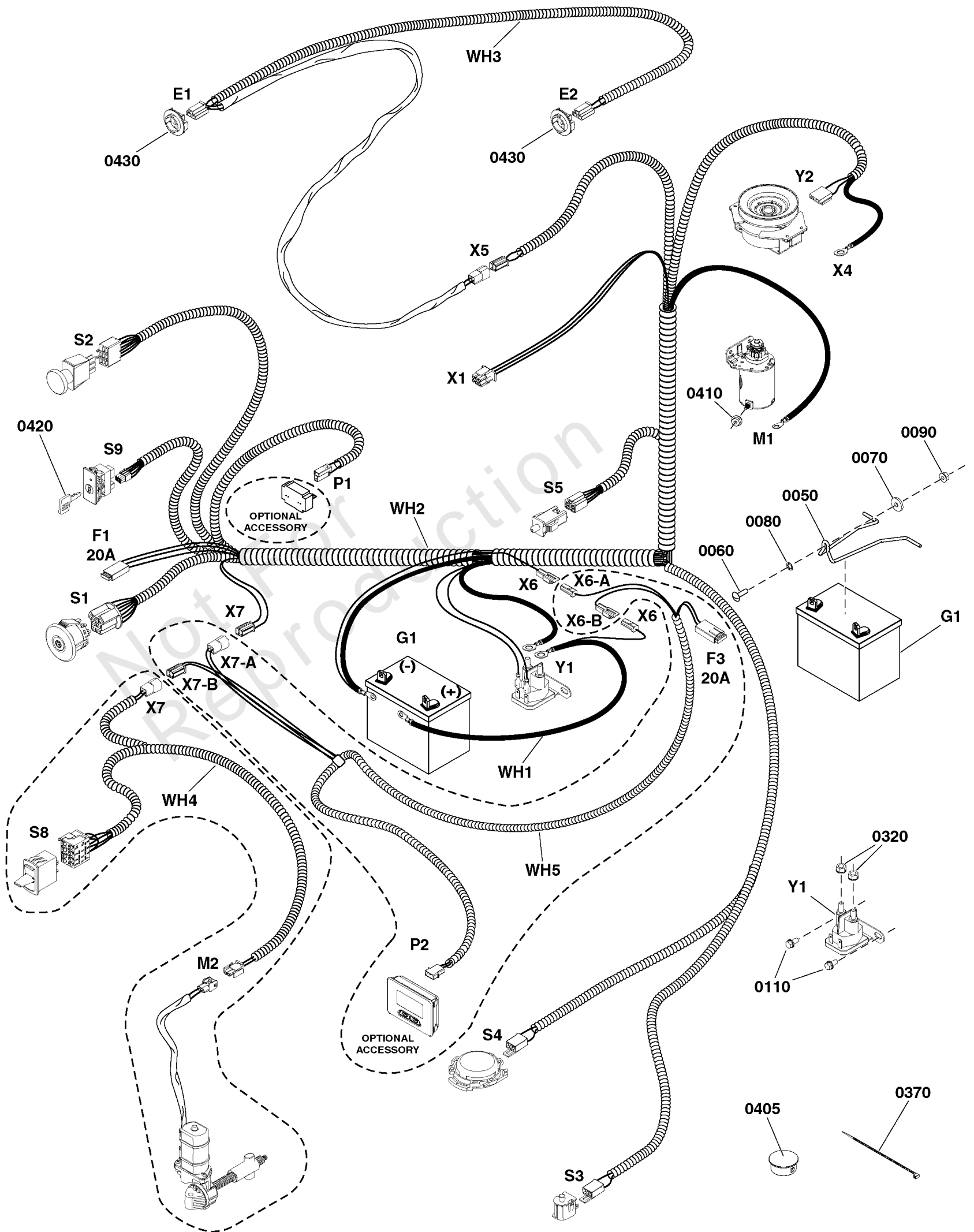
## Electrical Group

REF NO	PART NO	QTY	DESCRIPTION
E1	-----	1	HEADLIGHT, Left
E2	-----	1	HEADLIGHT, Right
F1	1731957SM	1	FUSE, Wiring Harness
F3	1731957SM	1	FUSE, Wiring Harness
G1	-----	1	CE BATTERY - 7U1L -(7U1L, 12V, 195CCA)
M1	592599	1	MOTOR, Starter
M2	1761788YP	1	MOTOR, Electric -(Optional Accessory)
P1	1731185SM	1	METER-HOUR DIGITAL NO -(Optional Accessory)
P2	1758654YP	1	DISPLAY, Mini Meter -(Optional Accessory)
S1	1761507YP	1	SWITCH, Ignition
S2	1722887YP	1	SWITCH, PTO Push/Pull, Yel Knob w/Symbols, 8 Terminal
S3	1720411SM	1	SWITCH, NO, Black, Push Button W/Boot -(Reverse Switch)
S4	1714771SM	1	SWITCH, Seat, Gray Switch, Gray Retainer
S5	7022886YP	1	SWITCH, DP NO/NC SNAP -(Brake Pedal Switch)
S8	1761475YP	1	SWITCH, Height of Cut -(Optional Accessory)
S9	1761897YP	1	SWITCH, Reverse Mow Option
WH1	1759779YP	1	HARNESS, Battery, Solenoid
WH2	84003000	1	HARNESS
WH3	1761298YP	1	HARNESS, Headlight
WH4	1761347YP	1	HARNESS, Height of Cut -(Optional Accessory)
WH5	84003001	1	HARNESS, Mini Meter with Height of Cut Harness -(Optional Accessory)
X1	-----	1	CONNECTOR, Engine
X4	-----	1	CHASSIS GROUND POINT
X5	-----	1	CONNECTOR, Main Harness to Headlight Harness
X6	-----	1	CONNECTOR, Battery Solenoid Harness to Main Harness
X6-A	-----	1	CONNECTOR, Mini Meter with Height of Cut Harness to Main Harness
X6-B	-----	1	CONNECTOR, Mini Meter with Height of Cut Harness to Battery Solenoid Harness
X7	-----	1	CONNECTOR, Main Harness to Height of Cut Harness
X7-A	-----	1	CONNECTOR, Mini Meter with Height of Cut Harness to Main Harness
X7-B	-----	1	CONNECTOR, Mini Meter with Height of Cut Harness to Height of Cut Harness
Y1	1755381YP	1	SOLENOID, L-BRACKET -(Starter Solenoid)
Y2	1760986YP	1	OGURA CLUTCH -(PTO Clutch)
0050	1730007SM	1	HOLD DOWN, Battery, 1/4 Dia.
0060	1931318SM	1	BOLT, Carriage, Short Neck, 1/4-20 x 7/8 G5
0070	703229	1	WASHER, 1/4
0080	703826	1	BOLT, PUSHNUT 1/4
0090	703463	1	NUT, GR5, 1/4-20
0110	704130	2	SCREW, HEX, 1/4-20X.5
0320	2860750SM	2	NUT-HEX KEPS 5/16-24
0370	703586	3	TIE, SELF LOCKING
0405	1732007SM	1	PLUG, Hole, 7/8 Dia.
0410	703061	1	NUT, HEX KEPS, 1/4-20
0420	1726557SM	2	KEY, No Mow Module (Yellow)

# Electrical Group

Note: Unless noted otherwise, use the standard torque specifications

Mfg. No: 2692023-00



## *Electrical Group*

---

REF NO	PART NO	QTY	DESCRIPTION
0430	1760239YP	2	LED HEADLIGHT AND SOCKET ASSEMBLY

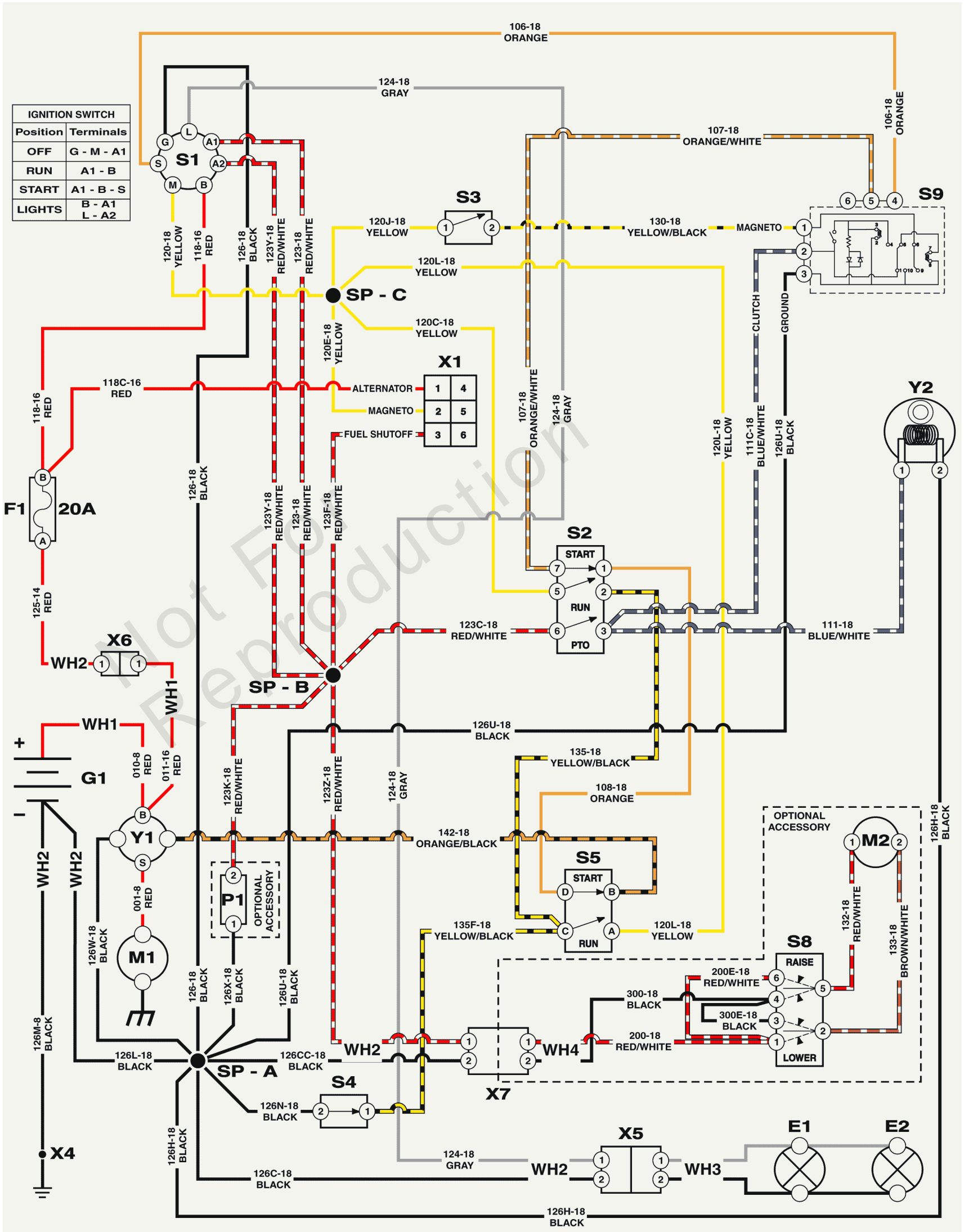
---

Not For Reproduction

# Electrical Schematic -

Note: Unless noted otherwise, use the standard torque specifications

Mfg. No: 2692023-00



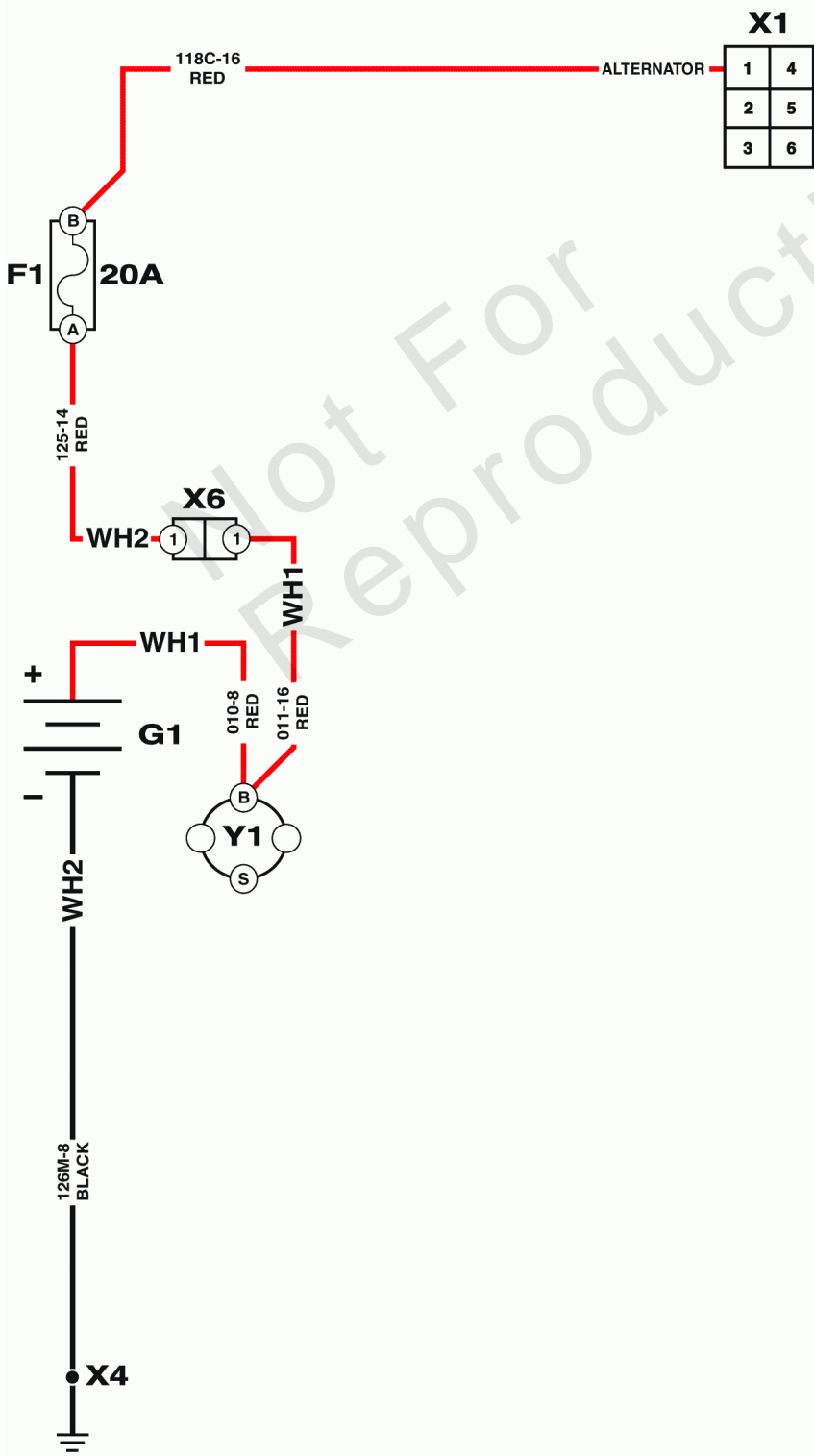
## Electrical Schematic -

REF NO	PART NO	QTY	DESCRIPTION
	-----		NOTE: All electrical components represented within this electrical schematic are at rest state (no power applied).
E1	-----	1	HEADLIGHT, Left
E2	-----	1	HEADLIGHT, Right
F1	1731957SM	1	FUSE, Wiring Harness
G1	-----	1	CE BATTERY - 7U1L
M1	592599	1	MOTOR, Starter
M2	1761788YP	1	MOTOR, Electric -(Optional Accessory)
P1	1731185SM	1	METER-HOUR DIGITAL NO -(Optional Accessory)
S1	1761507YP	1	SWITCH, Ignition
S2	1722887YP	1	SWITCH, PTO Push/Pull, Yel Knob w/Symbols, 8 Terminal
S3	1720411SM	1	SWITCH, NO, Black, Push Button W/Boot -(Reverse Switch)
S4	1714771SM	1	SWITCH, Seat, Gray Switch, Gray Retainer
S5	7022886YP	1	SWITCH, DP NO/NC SNAP -(Brake Pedal Switch)
S8	1761475YP	1	SWITCH, Height of Cut -(Optional Accessory)
S9	1761897YP	1	SWITCH, Reverse Mow Option
SP-A	-----	1	SPLICE - A -(Splices are internal to the wire harness.)
SP-B	-----	1	SPLICE - B -(Splices are internal to the wire harness.)
SP-C	-----	1	SPLICE - C -(Splices are internal to the wire harness.)
WH1	1759779YP	1	HARNESS, Battery, Solenoid
WH2	1761300YP	1	HARNESS, Main
WH3	1761298YP	1	HARNESS, Headlight
WH4	1761347YP	1	HARNESS, Height of Cut -(Optional Accessory)
X1	-----	1	CONNECTOR, Engine
X4	-----	1	CHASSIS GROUND POINT
X5	-----	1	CONNECTOR, Main Harness to Headlight Harness
X6	-----	1	CONNECTOR, Battery Solenoid Harness to Main Harness
X7	-----	1	CONNECTOR, Main Harness to Height of Cut Harness
Y1	1755381YP	1	SOLENOID, L-BRACKET -(Starter Solenoid)
Y2	1760986YP	1	OGURA CLUTCH -(PTO Clutch)

# Electrical Schematic - Charging Circuit

Note: Unless noted otherwise, use the standard torque specifications

Mfg. No: 2692023-00



## Electrical Schematic - Charging Circuit

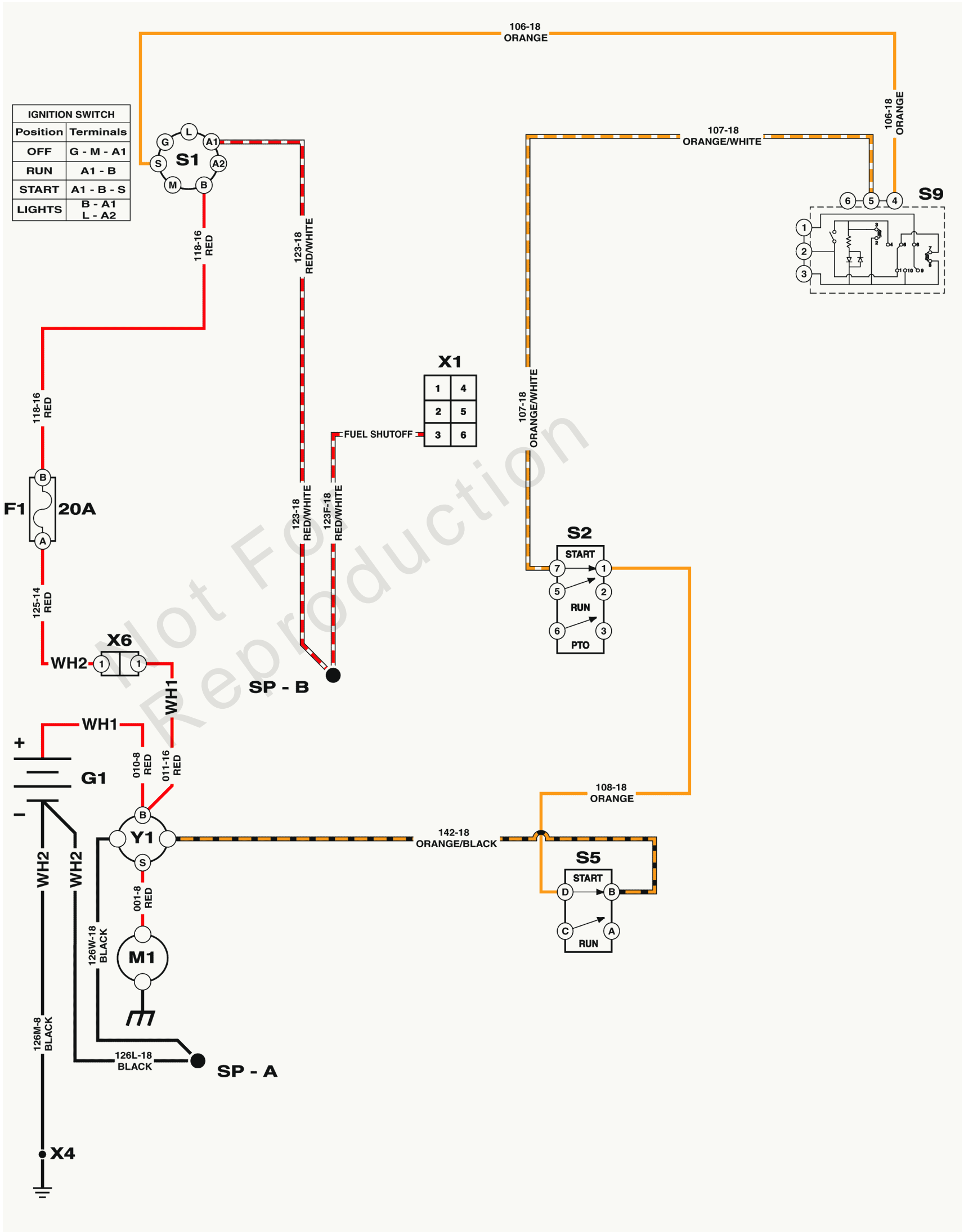
REF NO	PART NO	QTY	DESCRIPTION
	-----		NOTE: All electrical components represented within this electrical schematic are at rest state (no power applied).
F1	1731957SM	1	FUSE, Wiring Harness
G1	-----	1	CE BATTERY - 7U1L -(7U1L, 12V, 195CCA)
WH1	1759779YP	1	HARNESS, Battery, Solenoid
WH2	1761300YP	1	HARNESS, Main
X1	-----	1	CONNECTOR, Engine
X4	-----	1	CHASSIS GROUND POINT
X6	-----	1	CONNECTOR, Battery Solenoid Harness to Main Harness
Y1	1755381YP	1	SOLENOID, L-BRACKET -(Starter Solenoid)

Not For Reproduction

# Electrical Schematic - Cranking Circuit

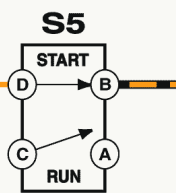
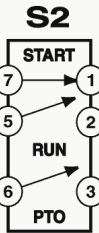
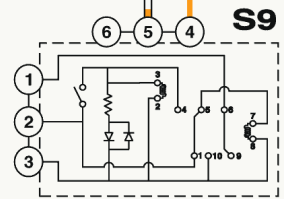
Note: Unless noted otherwise, use the standard torque specifications

Mfg. No: 2692023-00



IGNITION SWITCH	
Position	Terminals
OFF	G - M - A1
RUN	A1 - B
START	A1 - B - S
LIGHTS	B - A1 L - A2

X1	
1	4
2	5
3	6





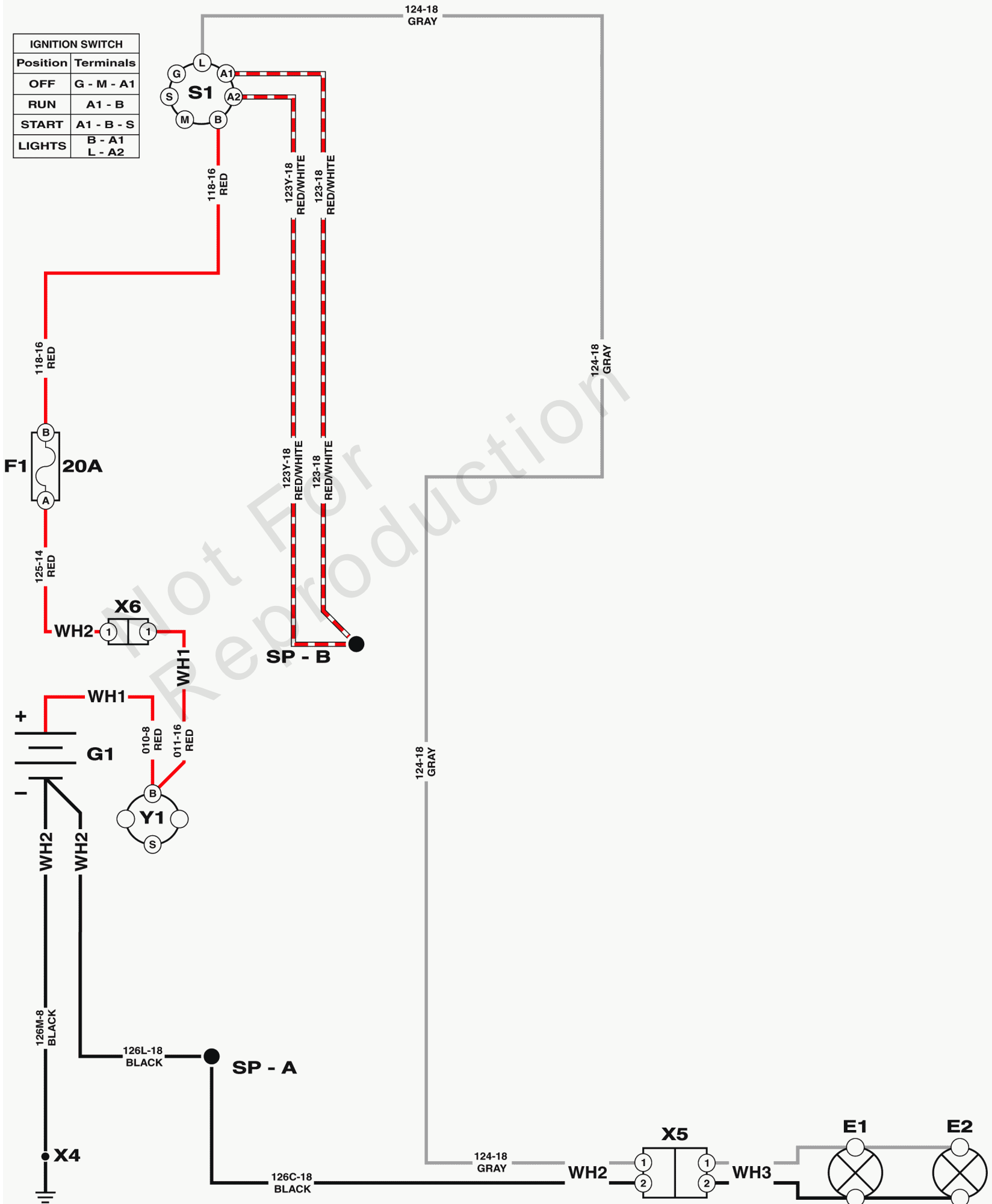
## Electrical Schematic - Cranking Circuit

REF NO	PART NO	QTY	DESCRIPTION
	-----		NOTE: All electrical components represented within this electrical schematic are at rest state (no power applied).
F1	1731957SM	1	FUSE, Wiring Harness
G1	-----	1	CE BATTERY - 7U1L -(7U1L, 12V, 195CCA)
M1	592599	1	MOTOR, Starter
S1	1761507YP	1	SWITCH, Ignition
S2	1722887YP	1	SWITCH, PTO Push/Pull, Yel Knob w/Symbols, 8 Terminal
S5	7022886YP	1	SWITCH, DP NO/NC SNAP -(Brake Pedal Switch)
S9	1761897YP	1	SWITCH, Reverse Mow Option
SP-A	-----	1	SPLICE - A -(Splices are internal to the wire harness.)
SP-B	-----	1	SPLICE - B -(Splices are internal to the wire harness.)
WH1	1759779YP	1	HARNESS, Battery, Solenoid
WH2	1761300YP	1	HARNESS, Main
X1	-----	1	CONNECTOR, Engine
X4	-----	1	CHASSIS GROUND POINT
X6	-----	1	CONNECTOR, Battery Solenoid Harness to Main Harness
Y1	1755381YP	1	SOLENOID, L-BRACKET -(Starter Solenoid)

# Electrical Schematic - Headlight Circuit

Note: Unless noted otherwise, use the standard torque specifications

Mfg. No: 2692023-00



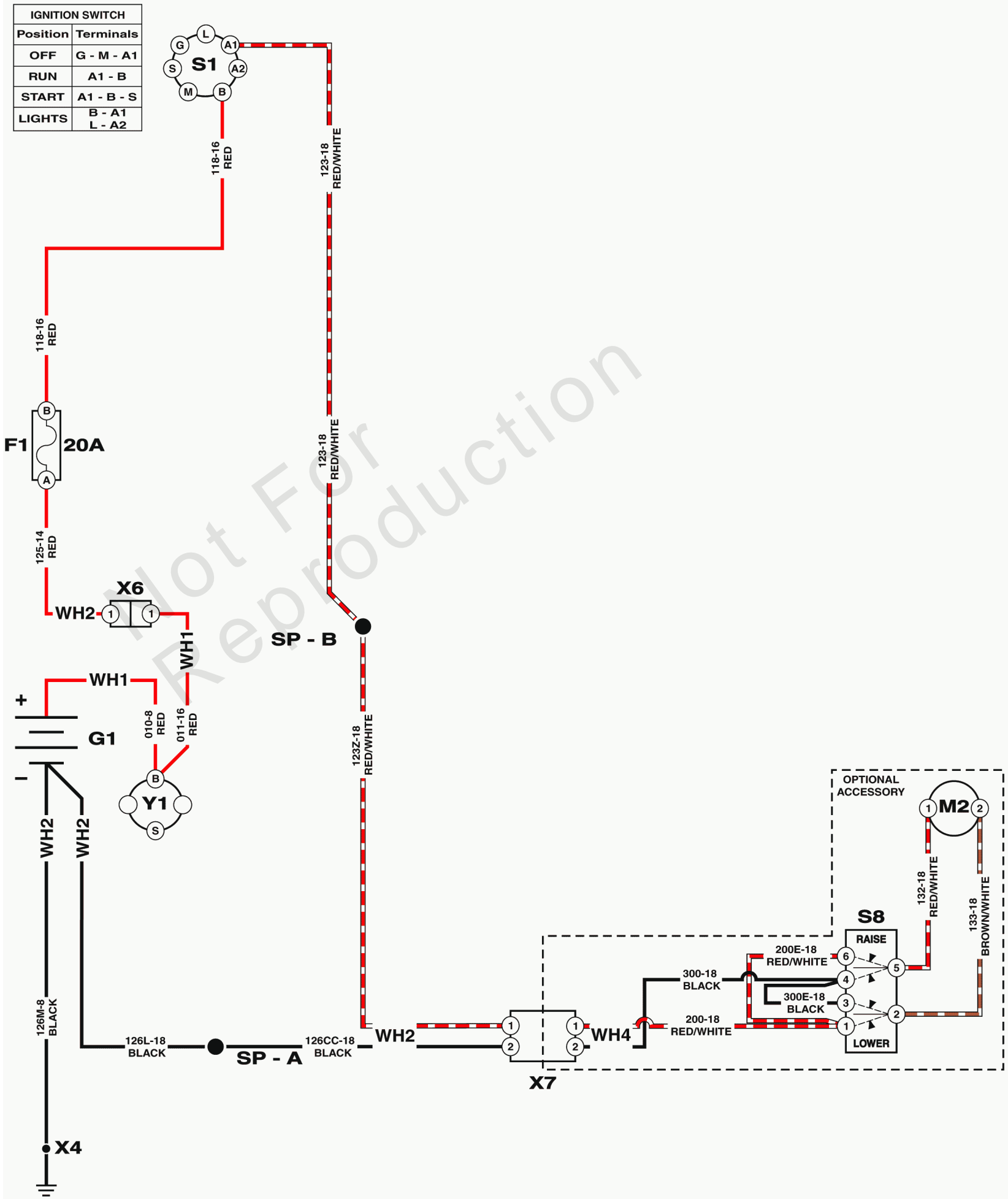
## Electrical Schematic - Headlight Circuit

REF NO	PART NO	QTY	DESCRIPTION
	-----		NOTE: All electrical components represented within this electrical schematic are at rest state (no power applied).
E1	-----	1	HEADLIGHT, Left
E2	-----	1	HEADLIGHT, Right
F1	1731957SM	1	FUSE, Wiring Harness
G1	-----	1	CE BATTERY - 7U1L -(7U1L, 12V, 195CCA)
S1	1761507YP	1	SWITCH, Ignition
SP-A	-----	1	SPLICE - A -(Splices are internal to the wire harness.)
SP-B	-----	1	SPLICE - B -(Splices are internal to the wire harness.)
WH1	1759779YP	1	HARNESS, Battery, Solenoid
WH2	1761300YP	1	HARNESS, Main
WH3	1761298YP	1	HARNESS, Headlight
X4	-----	1	CHASSIS GROUND POINT
X5	-----	1	CONNECTOR, Main Harness to Headlight Harness
X6	-----	1	CONNECTOR, Battery Solenoid Harness to Main Harness
Y1	1755381YP	1	SOLENOID, L-BRACKET -(Starter Solenoid)

# Electrical Schematic - Height of Cut

Note: Unless noted otherwise, use the standard torque specifications

Mfg. No: 2692023-00



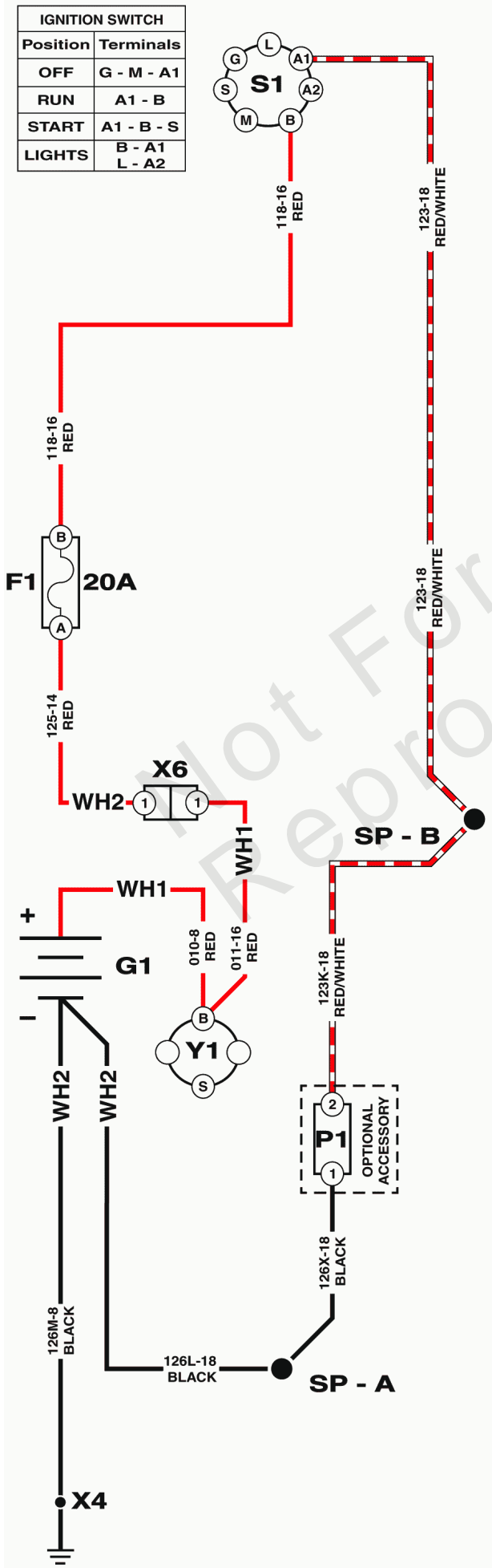
## Electrical Schematic - Height of Cut

REF NO	PART NO	QTY	DESCRIPTION
	-----		NOTE: All electrical components represented within this electrical schematic are at rest state (no power applied).
F1	1731957SM	1	FUSE, Wiring Harness
G1	-----	1	CE BATTERY - 7U1L -(7U1L, 12V, 195CCA)
M2	1761788YP	1	MOTOR, Electric -(Optional Accessory)
S1	1761507YP	1	SWITCH, Ignition
S8	1761475YP	1	SWITCH, Height of Cut -(Optional Accessory)
SP-A	-----	1	SPLICE - A -(Splices are internal to the wire harness.)
SP-B	-----	1	SPLICE - B -(Splices are internal to the wire harness.)
WH1	1759779YP	1	HARNESS, Battery, Solenoid
WH2	1761300YP	1	HARNESS, Main
WH4	1761347YP	1	HARNESS, Height of Cut -(Optional Accessory)
X4	-----	1	CHASSIS GROUND POINT
X6	-----	1	CONNECTOR, Battery Solenoid Harness to Main Harness
X7	-----	1	CONNECTOR, Main Harness to Height of Cut Harness
Y1	1755381YP	1	SOLENOID, L-BRACKET -(Starter Solenoid)

# Electrical Schematic - Hour Meter

Note: Unless noted otherwise, use the standard torque specifications

Mfg. No: 2692023-00



## Electrical Schematic - Hour Meter

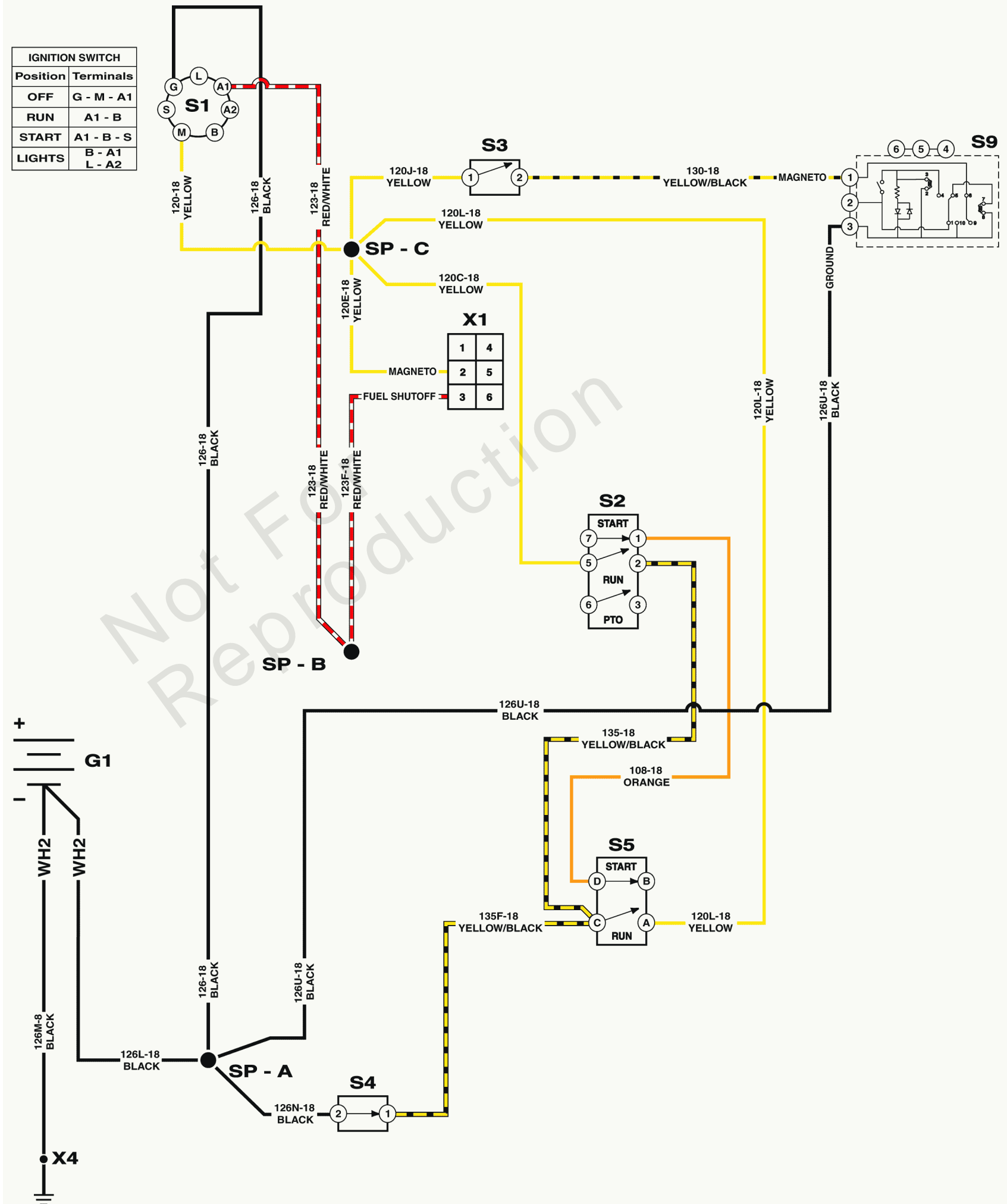
REF NO	PART NO	QTY	DESCRIPTION
	-----		NOTE: All electrical components represented within this electrical schematic are at rest state (no power applied).
F1	1731957SM	1	FUSE, Wiring Harness
G1	-----	1	CE BATTERY - 7U1L -(7U1L, 12V, 195CCA)
P1	1731185SM	1	METER-HOUR DIGITAL NO -(Optional Accessory)
S1	1761507YP	1	SWITCH, Ignition
SP-A	-----	1	SPLICE - A -(Splices are internal to the wire harness.)
SP-B	-----	1	SPLICE - B -(Splices are internal to the wire harness.)
WH1	1759779YP	1	HARNESS, Battery, Solenoid
WH2	1761300YP	1	HARNESS, Main
X4	-----	1	CHASSIS GROUND POINT
X6	-----	1	CONNECTOR, Battery Solenoid Harness to Main Harness
Y1	1755381YP	1	SOLENOID, L-BRACKET -(Starter Solenoid)

# Electrical Schematic - Ignition Shutdown

Note: Unless noted otherwise, use the standard torque specifications

Mfg. No: 2692023-00

IGNITION SWITCH	
Position	Terminals
OFF	G - M - A1
RUN	A1 - B
START	A1 - B - S
LIGHTS	B - A1 L - A2





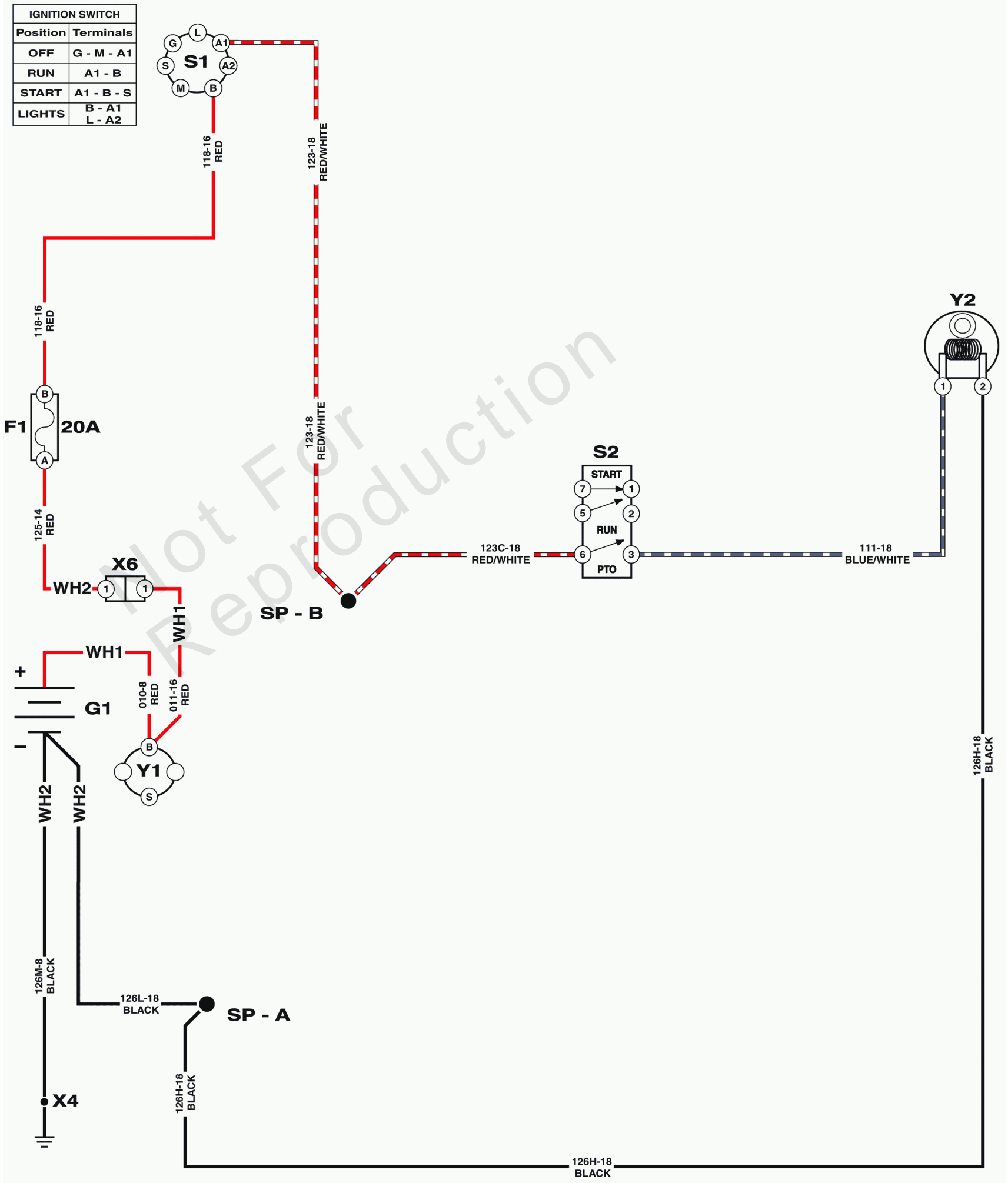
## Electrical Schematic - Ignition Shutdown

REF NO	PART NO	QTY	DESCRIPTION
	-----		NOTE: All electrical components represented within this electrical schematic are at rest state (no power applied).
G1	-----	1	CE BATTERY - 7U1L -(7U1L, 12V, 195CCA)
S1	1761507YP	1	SWITCH, Ignition
S2	1722887YP	1	SWITCH, PTO Push/Pull, Yel Knob w/Symbols, 8 Terminal
S3	1720411SM	1	SWITCH, NO, Black, Push Button W/Boot -(Reverse Switch)
S4	1714771SM	1	SWITCH, Seat, Gray Switch, Gray Retainer
S5	7022886YP	1	SWITCH, DP NO/NC SNAP -(Brake Pedal Switch)
S9	1761897YP	1	SWITCH, Reverse Mow Option
SP-A	-----	1	SPLICE - A -(Splices are internal to the wire harness.)
SP-B	-----	1	SPLICE - B -(Splices are internal to the wire harness.)
SP-C	-----	1	SPLICE - C -(Splices are internal to the wire harness.)
WH2	1761300YP	1	HARNESS, Main
X1	-----	1	CONNECTOR, Engine
X4	-----	1	CHASSIS GROUND POINT

# Electrical Schematic - PTO Clutch

Note: Unless noted otherwise, use the standard torque specifications

Mfg. No: 2692023-00



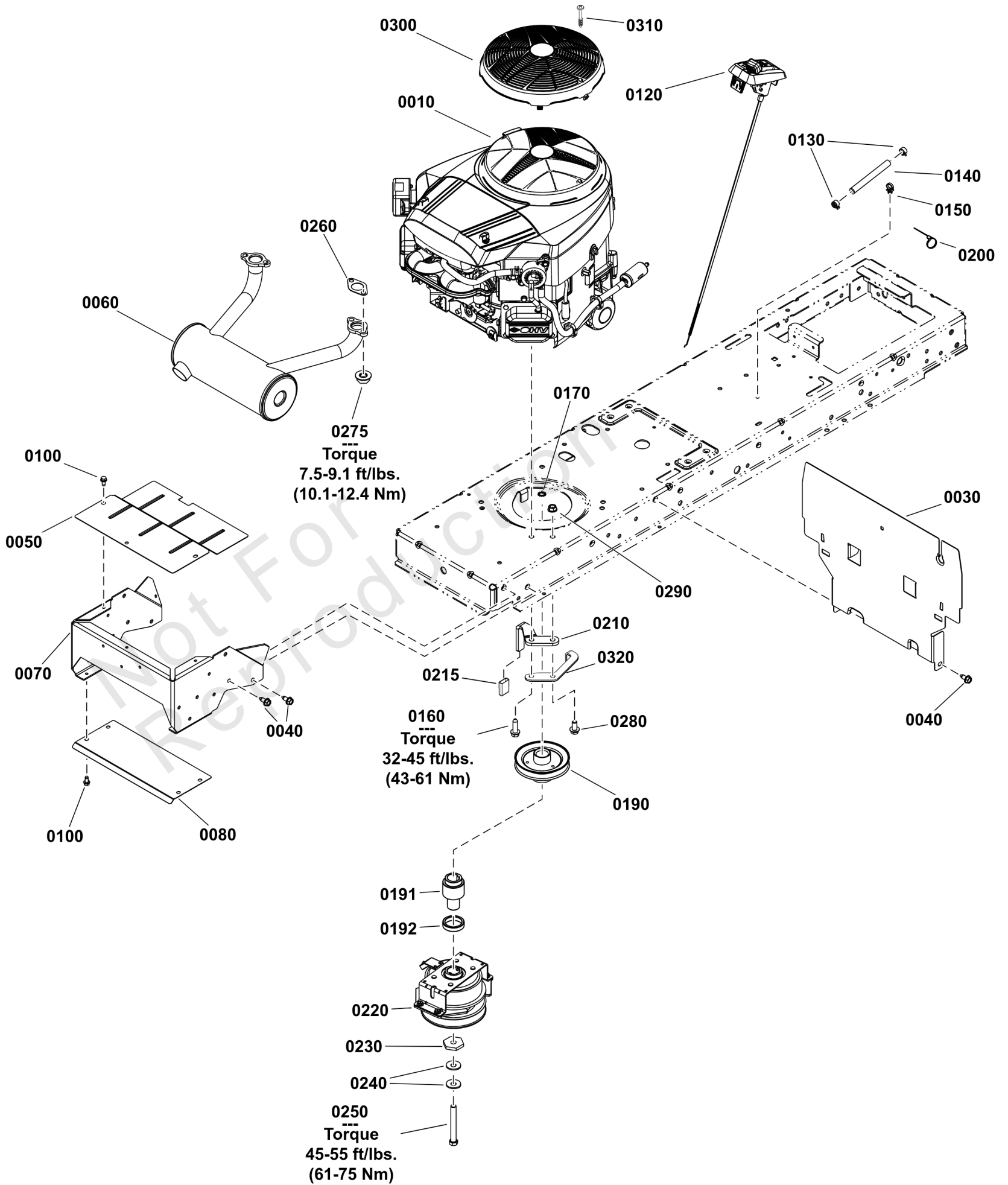
## Electrical Schematic - PTO Clutch

REF NO	PART NO	QTY	DESCRIPTION
	-----		NOTE: All electrical components represented within this electrical schematic are at rest state (no power applied).
F1	1731957SM	1	FUSE, Wiring Harness
G1	-----	1	CE BATTERY - 7U1L -(7U1L, 12V, 195CCA)
S1	1761507YP	1	SWITCH, Ignition
S2	1722887YP	1	SWITCH, PTO Push/Pull, Yel Knob w/Symbols, 8 Terminal
SP-A	-----	1	SPLICE - A -(Splices are internal to the wire harness.)
SP-B	-----	1	SPLICE - B -(Splices are internal to the wire harness.)
WH1	1759779YP	1	HARNESS, Battery, Solenoid
WH2	1761300YP	1	HARNESS, Main
X4	-----	1	CHASSIS GROUND POINT
X6	-----	1	CONNECTOR, Battery Solenoid Harness to Main Harness
Y1	1755381YP	1	SOLENOID, L-BRACKET -(Starter Solenoid)
Y2	1760986YP	1	OGURA CLUTCH -(PTO Clutch)

# Engine Group

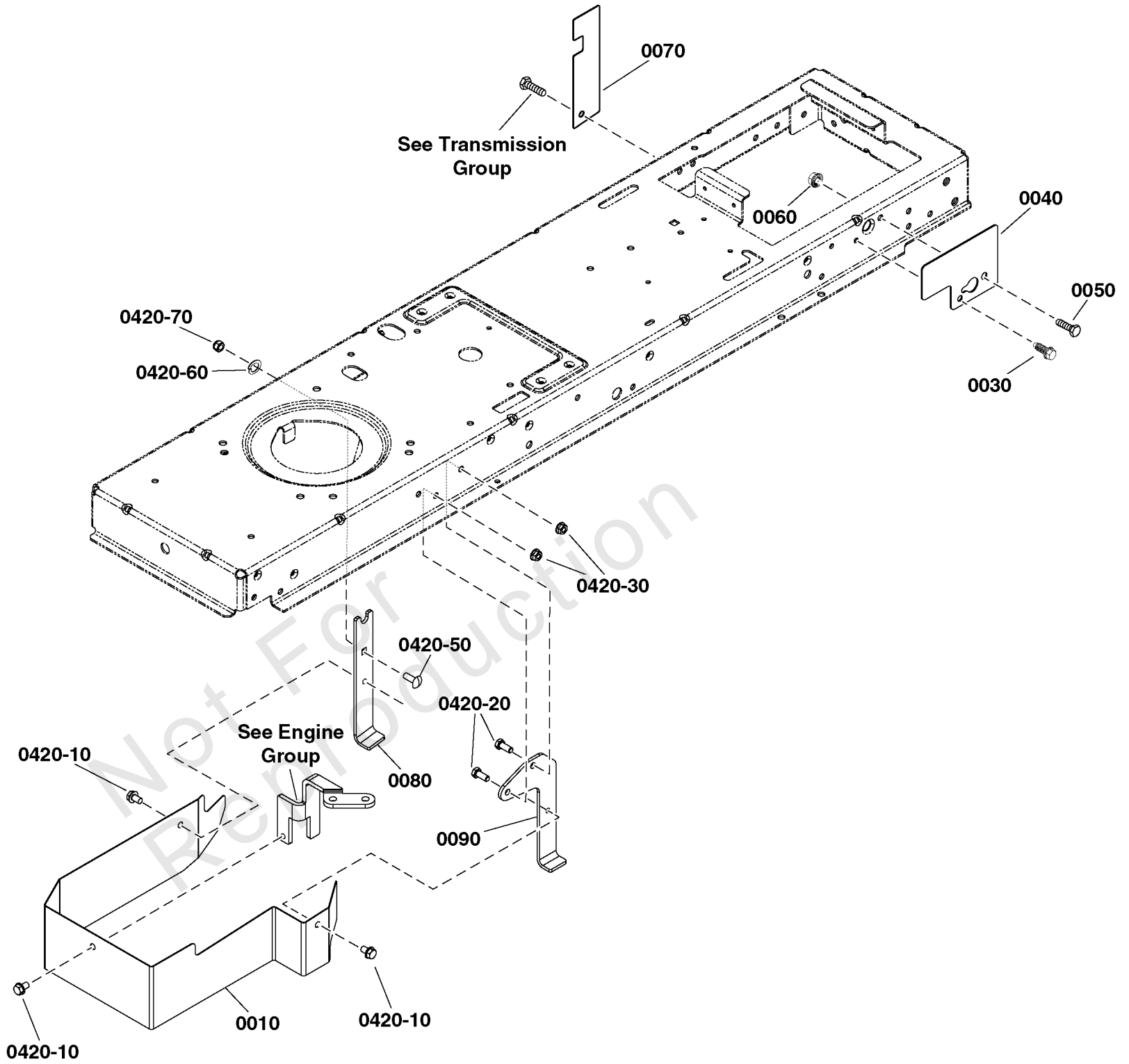
Note: Unless noted otherwise, use the standard torque specifications

Mfg. No: 2692023-00



## Engine Group

REF NO	PART NO	QTY	DESCRIPTION
0010	40N877-0070-B5	1.000	ENGINE, B&S Twin
0030	1738380AYP	1.000	HEAT SHIELD, Engine
0040	703228	6.000	SCREW, 5/16-18 X .75
0050	1761064CJYP	1.000	HEAT SHIELD
0060	1761127YP	1.000	MUFFLER, Twin
0070	1761211CJYP	1.000	Support, Muffler
0080	1761063CJYP	1.000	HEAT SHIELD, Bottom
0100	704130	7.000	SCREW, HEX, 1/4-20X.5
0120	1754915YP	1.000	THROTTLE
0130	791850	2.000	CLAMP, Hose
0140	7700100YP	1.000	HOSE, FUEL, 1/4" ID,
0150	1730268SM	2.000	CLIP, Hose, 1/2 Dia., Push In
0160	704010	4.000	SCREW, HEX, 3/8-16
0170	703864	1.000	WASHER, EXT, 3/8
0190	1732576SM	1.000	PULLEY & HUB ASSEMBLY, Engine
0191	885679YP	1.000	SPACER, Electric Clutch
0192	885810YP	1.000	SPACER, Electric Clutch, Lower
0200	703586	1.000	TIE, SELF LOCKING
0210	84001899	1.000	ANCHOR
0215	84002544	1.000	Sleeve, Clutch Anchor
0220	1760986YP	1.000	OGURA CLUTCH -( Position clutch as illustrated )
0230	1708264SM	1.000	WASHER, HEX, 0.453ID
0240	1960769YP	2.000	WASHER, Belleville
0250	7102075YP	1.000	CAPSCREW, Hex Head, 7/16-20 x 5, G5
0260	690970	2.000	GASKET, Exhaust
0275	690941	4.000	NUT
0280	704038	1.000	SCREW
0290	703333	1.000	NUT, 3/8-16
0300	797420YP	1.000	GUARD, Debris Screen
0310	799359	1.000	SCREW
0320	84004562	1.000	GUIDE, Belt



## ***EU Guard Group***

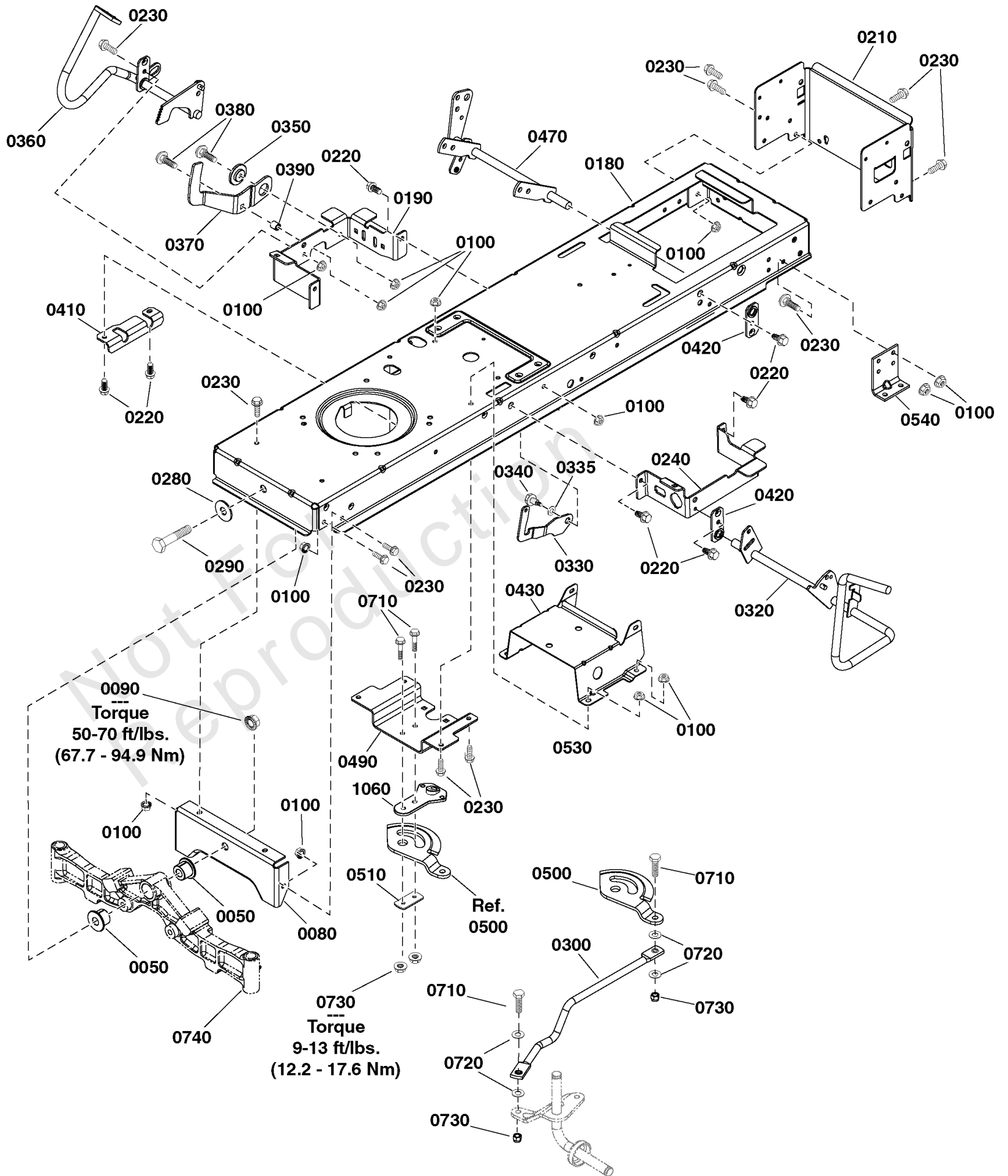
<b>REF NO</b>	<b>PART NO</b>	<b>QTY</b>	<b>DESCRIPTION</b>
0010	84002808	1	GUARD, Pulley
0030	703949	1	SCREW, 5/16-18.625
0040	1760016CJYP	1	GUARD, Rear
0050	704287	1	CAPSCREW, 5/16-18X.75
0060	703409	1	NUT, 5/16-18, GR5
0070	1736025BMYP	1	GUARD, Pulley, Rear
0080	84002809	1	UPSTOP, RH
0090	84002810	1	UPSTOP, LH
0420-10	703228	3	SCREW, 5/16-18 X .75
0420-20	704287	2	CAPSCREW, 5/16-18X.75
0420-30	703409	2	NUT, 5/16-18, GR5
0420-50	704065	1	BOLT, 5/16-18X.875
0420-60	703116	1	LCKWSHR
0420-70	703902	1	NUT, HEX, 5/16-18

Not For Reproduction

# Frame & Front Axle Group

Note: Unless noted otherwise, use the standard torque specifications

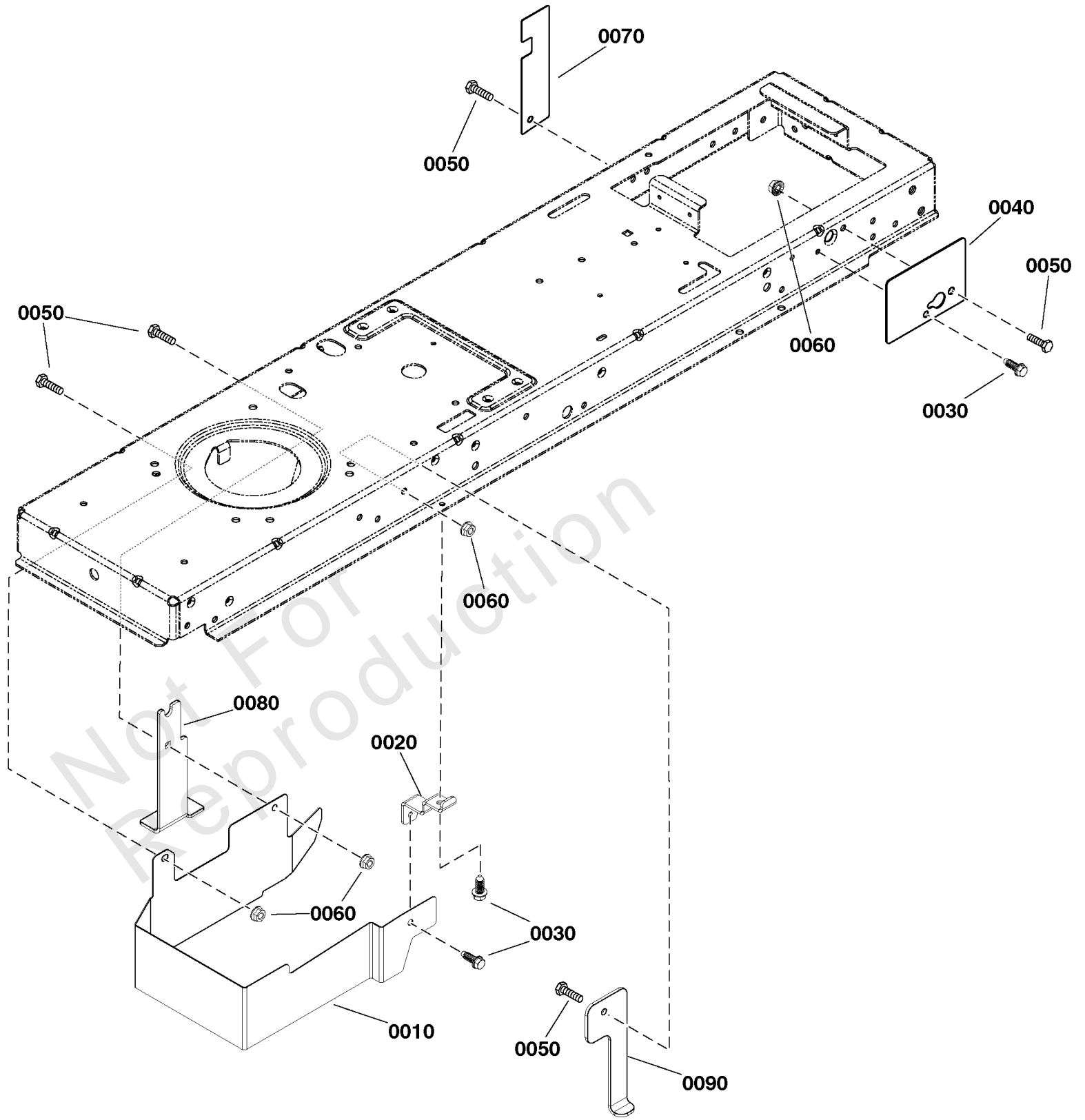
Mfg. No: 2692023-00





## Frame & Front Axle Group

REF NO	PART NO	QTY	DESCRIPTION
0050	1730186SM	2	BUSHING, Axle Pivot
0080	1727902SM	1	PLATE, Axle Support
0090	2860646SM	1	NUT, Hex Flange, 5/8-11
0100	703409	26	NUT, 5/16-18, GR5
0180	-----	1	FRAME
0190	1759842BMYP	1	SUPPORT, Front Footrest, RH
0210	1758690YP	1	SUPPORT, Rear Frame
0220	703949	9	SCREW, 5/16-18.625
0230	703354	23	SCREW, 5/16-18
0240	1759841BMYP	1	SUPPORT, Front Footrest, LH
0280	1960035SM	1	WASHER-0.625(0.64IDX1
0290	2860744SM	1	CAPSCREW, Hex Head, 5/8-11 x 3 1/4
0300	1738051YP	1	LINK, Drag (with Bearing), 5/16
0320	1736404AYP	1	PEDAL ASSY, BRAKE
0330	1735595YP	1	LATCH, Brake Lock
0335	7014296YP	1	WASHER, Shim
0340	703851	1	BOLT, 5/16-18X1.15
0350	1727935SM	1	SPACER-PIVOT 0.330ID
0360	1736714AYP	1	FORWARD PEDAL ASSEMBLY
0370	1727246SM	1	PEDAL, Reverse
0380	703446	2	BOLT, 5/16-18X1.25 G5
0390	1728024SM	1	SPACER, Foot Pedal
0410	885591YP	1	BRACKET, PEDAL PIVOT
0420	1727911ASM	2	PLATE, Bearing
0430	1727282ASM	1	SUPPORT, Battery 12 GA
0470	1737957YP	1	LIFT SHAFT ASSEMBLY
0490	1761009YP	1	BRACKET, Sector Support
0500	1751110YP	1	GEAR, Steering
0510	1761011CJYP	1	PLATE, Sector Gear
0530	703185	2	BOLT, Round Head, Short Square Neck
0540	1727903ASM	2	SUPPORT, Transmission
0710	703570	4	CAPSCREW, Hex Head, 5/16-18 x 1 1/4
0720	1919326SM	4	WASHER, 5/16
0730	704067	6	NUT, HEX FLNG,5/16-18 -(Torque to 12-17 ft/lbs)
0740	-----	1	Refer to: Front Axle Group
1060	1761010YP	1	SUPPORT, Steering



## French Guard Group

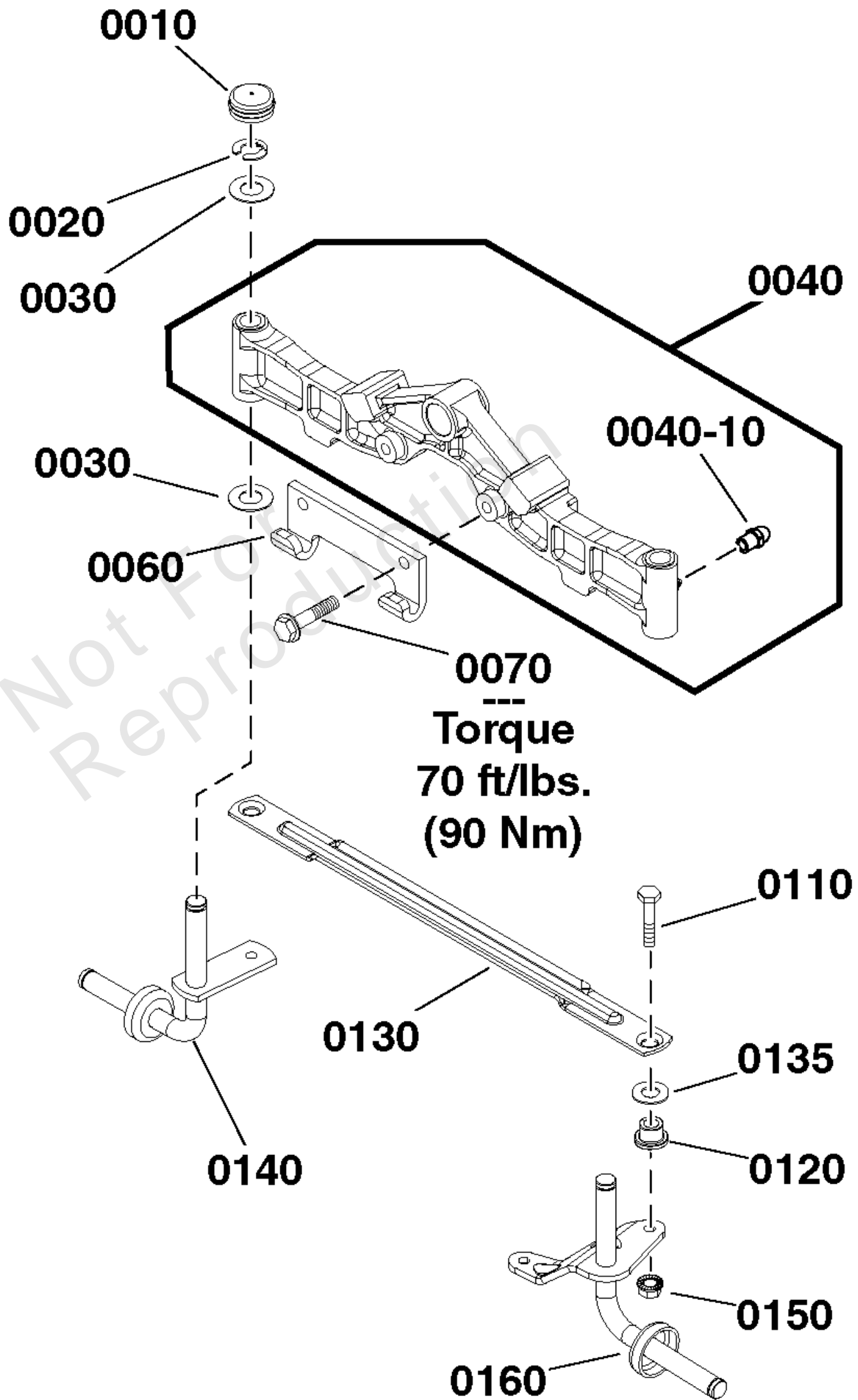
REF NO	PART NO	QTY	DESCRIPTION
0010	84002798	1	GUARD, Engine Pulley
0020	1752160BMYP	1	BRACKET, Guard Support
0030	703949	3	SCREW, 5/16-18.625
0040	1760016CJYP	1	GUARD, Rear
0050	704287	3	CAPSCREW, 5/16-18X.75
0060	703409	3	NUT, 5/16-18, GR5
0070	1736025BMYP	1	GUARD, Pulley, Rear
0080	84002799	1	BRACKET, Upstop
0090	1757405BMYP	1	BRACKET, Upstop, Lower Clutch

Not For Reproduction

# Front Axle Group

Note: Unless noted otherwise, use the standard torque specifications

Mfg. No: 2692023-00



## Front Axle Group

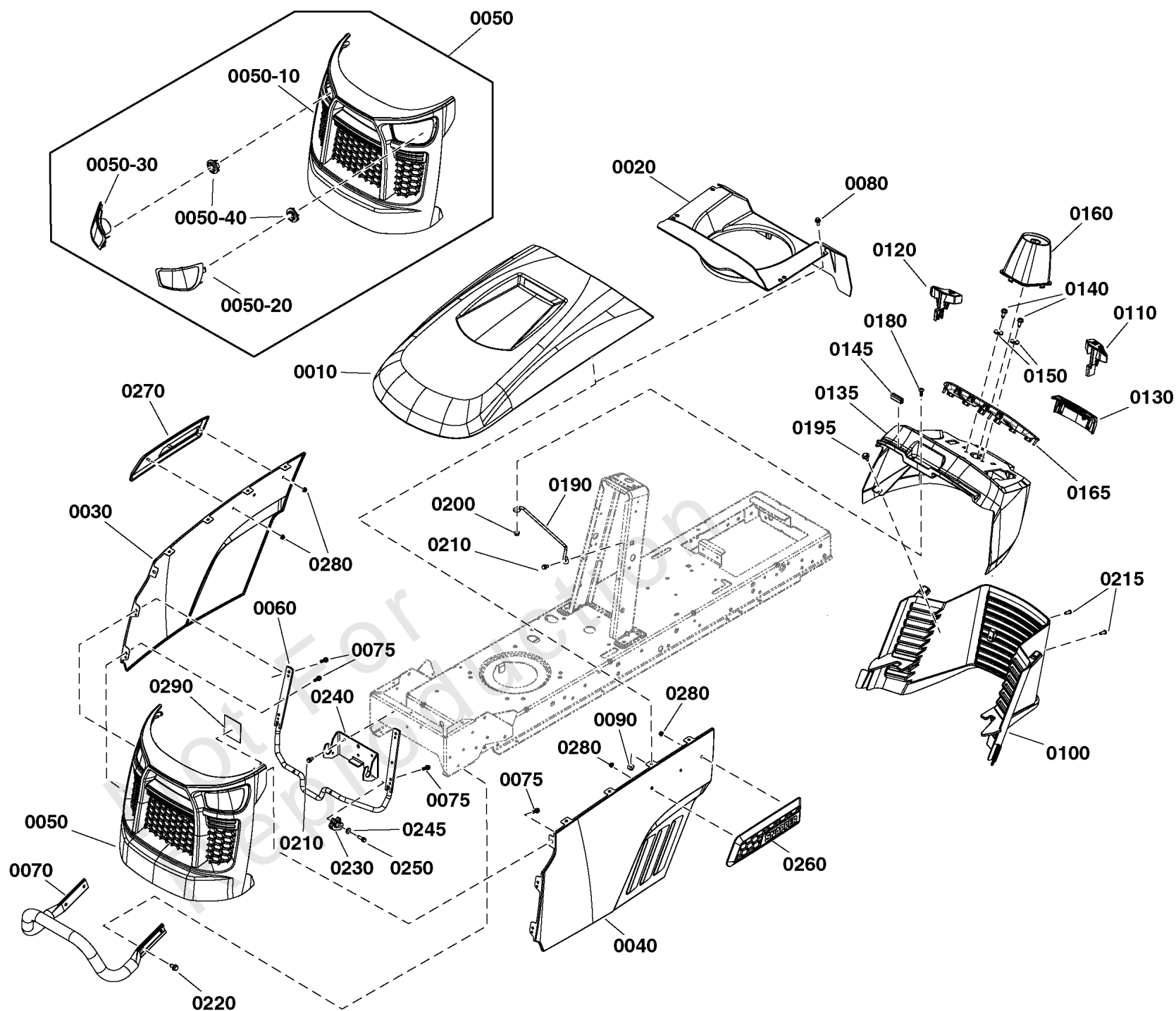
REF NO	PART NO	QTY	DESCRIPTION
0010	1734135SM	2	CAP, Hub
0020	1611710SM	2	E-RING, 3/4
0030	2860183SM	4	WASHER, Flat, 3/4
0040	1756386YP	1	AXLE, Front
0040-10	1704314SM	2	LUBE FITTING, .250 DR -( Included with Ref. No. 0040 )
0060	1721918ASM	1	HOOK, Mower, Hitch
0070	1960652SM	2	SCREW, Hex Flange, Whiz Lock, 7/16-14 x 1-1/2
0110	1960032SM	2	SCREW, Hex Head, 3/8-16 x 1 1/4
0120	1731912SM	2	BUSHING, 3/8 ID x 5/8 OD x 1/2
0130	1751964YP	1	TIE ROD
0135	1960703SM	2	WASHER, 5/8
0140	1727872ASM	1	SPINDLE ASSEMBLY, R.H.
0150	703893	2	NUT, CNTR LCK, 3/8-16
0160	1751922YP	1	SPINDLE ASSEMBLY, L.H.

Not For Reproduction

# Hood, Grille & Dash Group

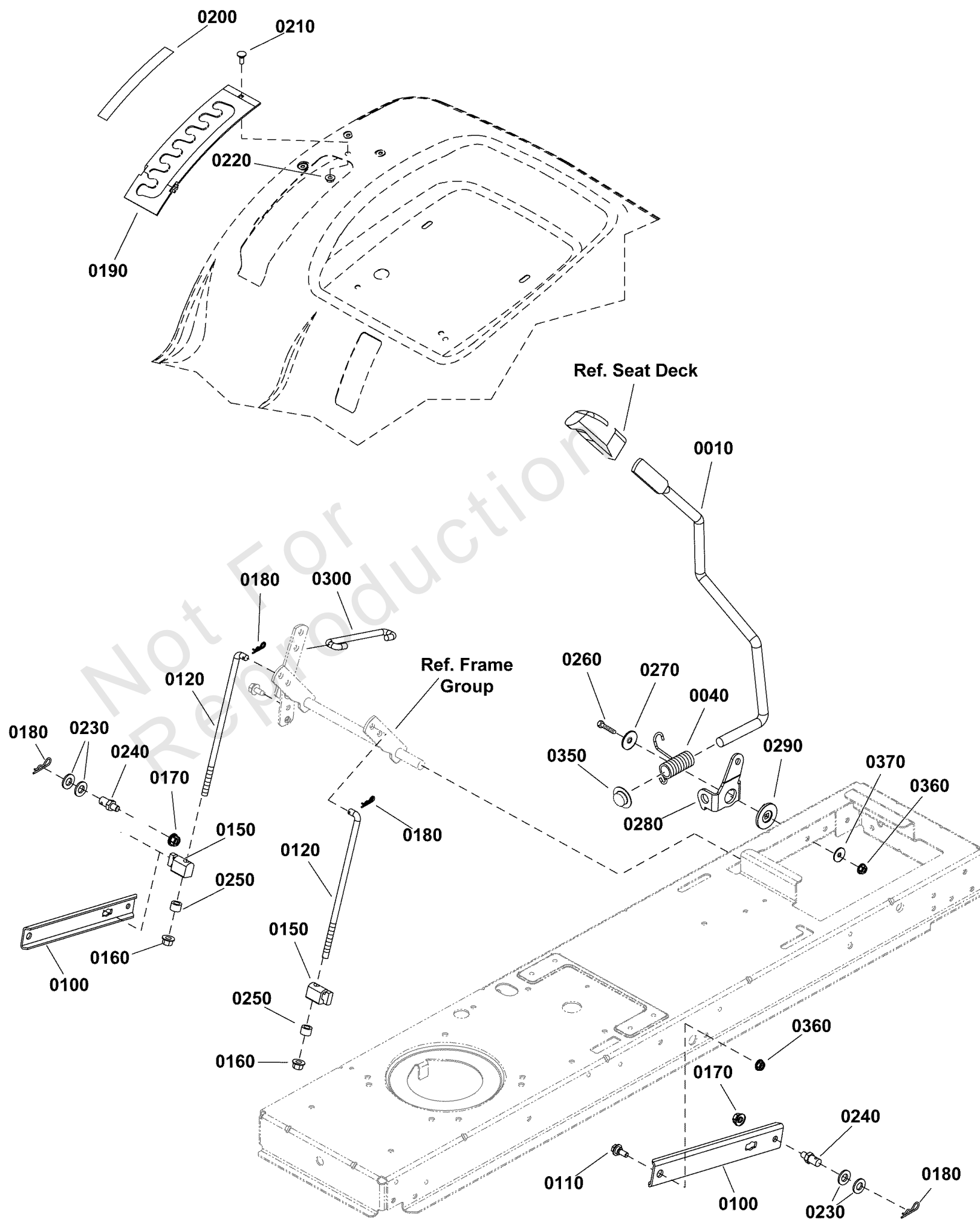
Note: Unless noted otherwise, use the standard torque specifications

Mfg. No: 2692023-00



## Hood, Grille & Dash Group

REF NO	PART NO	QTY	DESCRIPTION
0010	1728031DSM	1	HOOD, with Scoop
0020	7102326YP	1	AIR DUCT, Plenum
0030	1761214DYP	1	PANEL, Side RH
0040	1761215DYP	1	PANEL, Side, LH
0050	1761263YP	1	GRILLE -(Incl. Ref. Nos. 0050-10, 0050-20, 0050-30 & 0050-40)
0050-10	1761175YP	1	GRILLE, Front -(Included with Ref. No. 0050)
0050-20	1761333YP	1	HEADLIGHT, LH -(Included with Ref. No. 0050)
0050-30	1761334YP	1	HEADLIGHT, RH -(Included with Ref. No. 0050)
0050-40	1760239YP	2	LED HEADLIGHT AND SOCKET ASSEMBLY -(Included with Ref. No. 0050)
0060	1761070YP	1	ROD, Hood Hinge
0070	1761254DYP	1	BUMPER, Tube
0075	706369	6	SCREW, Hex Washer Head, 1/4-10 x 3/4
0080	1960295SM	8	CAPSCREW, Hex Flange, Whiz Lock, 1/4-20 x 5/8
0090	703161	8	NUT
0100	1761508YP	1	LOWER DASH ASSEMBLY
0110	1761401YP	1	KNOB, Parking Brake
0120	1761402YP	1	KNOB, Cruise
0130	1761510YP	1	DECORATIVE TRIM
0135	1761253YP	1	DASH, Upper
0140	703228	2	SCREW, 5/16-18 X .75
0145	1761773YP	2	EDGING, Rubber
0150	703298	2	WASHER, 5/16
0160	1761399YP	1	COVER, Steering Shaft
0165	1761463YP	1	DASH BEZEL
0180	770135	1	SCREW
0190	1761481YP	1	ROD, Dash Support
0195	2860664SM	2	SCREW, HEX SEMS WSHR,
0200	703463	1	NUT, GR5, 1/4-20
0210	704130	4	SCREW, HEX, 1/4-20X.5
0215	1960556SM	2	SCREW, Pan Head Torx, Taptite, 1/4-20 x 3/4
0220	703985	4	SCREW, 5/16-18X.5
0230	1761068YP	2	CLIP, Hood Hinge
0240	1761212CJYP	1	BRACKET, Hood Hinge
0245	703332	2	WASHER
0250	703466	2	BOLT, GR5, 1/4X.0750
0260	1761342YP	1	BADGE, Snapper, LH
0270	1761343YP	1	BADGE, Snapper, RH
0280	189164GS	4	PALNUT, 3/16
0290	1761818YP	1	INSULATION, Thermal





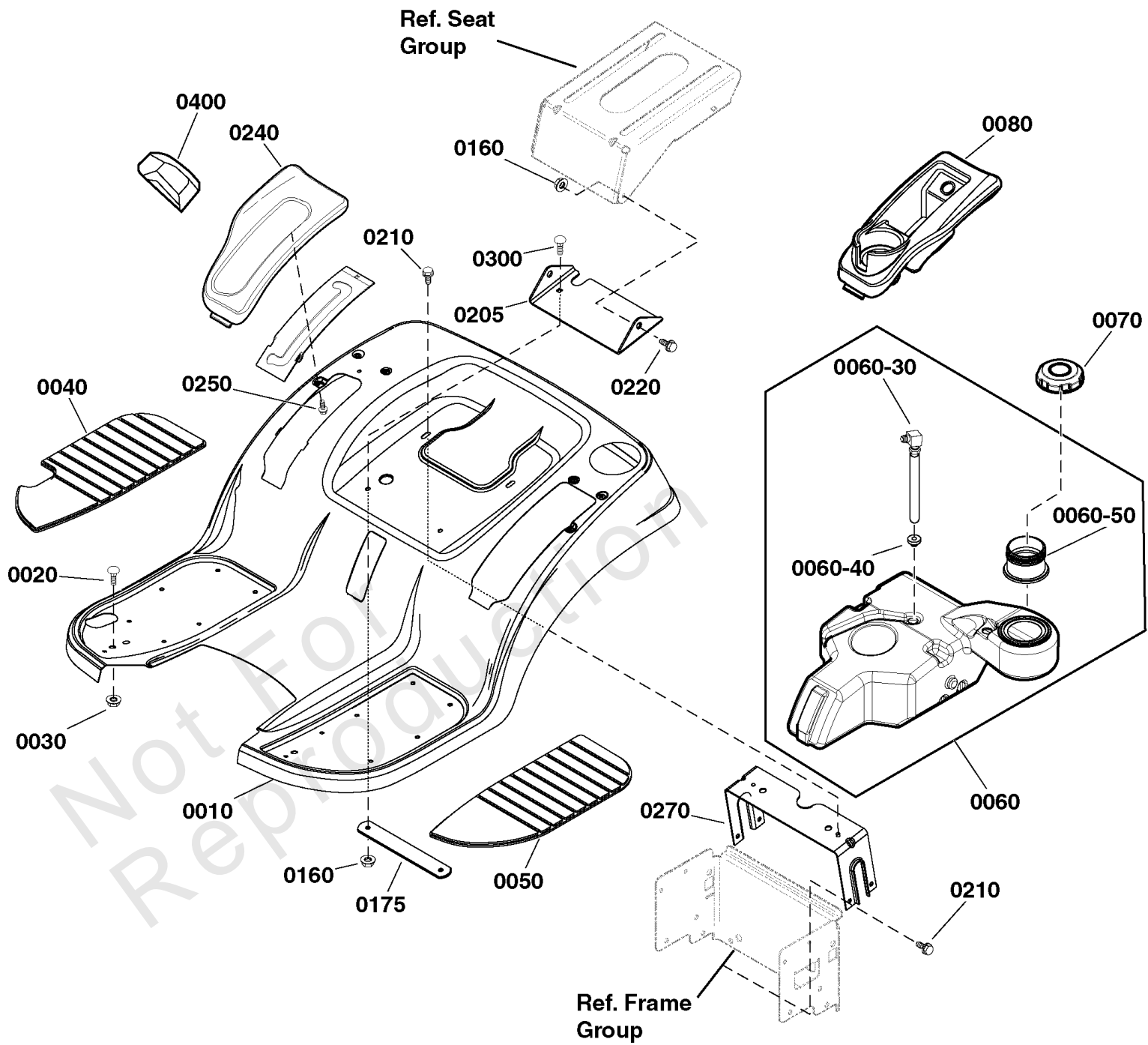
## Lift Group - Manual

REF NO	PART NO	QTY	DESCRIPTION
0010	1728070SM	1	ROD, Lift Handle, 17.7
0040	1729652SM	1	SPRING, Torsion
0100	1731417SM	2	ARM, Rear Lift
0110	1732426SM	2	BOLT-SHLDR 5/16-18 0.
0120	1727955SM	2	ROD, Lower Lift, 10.00 LG
0150	1731894SM	2	TRUNNION
0160	1960687SM	2	NUT, Hex Flange, ESNA, 3/8-16
0170	1931211SM	2	NUT, Hex, Flange Lock, 3/8-16
0180	1960074SM	4	CLIP, HAIR PIN .093DI
0190	1727985SM	1	QUADRANT, Lift Height
0200	1730264SM	1	DECAL, Height Of Cut
0210	1960252SM	1	BOLT-RD HD SH SQ NK 1
0220	1930641SM	1	NUT, Hex Flange Whiz, 1/4-20
0230	1960170SM	2	WASHER, 1/2
0240	094067MA	2	PIN, Threaded Shoulder
0250	1666294SM	2	SPACER
0260	84003606	1	SCREW
0270	1933468SM	1	WASHER, 5/16 x 1-1/4 OD
0280	1728990ASM	1	CLEVIS, Lift
0290	1727935SM	1	SPACER-PIVOT 0.330ID
0300	1727954SM	1	ROD, Lift, 5.43 LG
0350	771009	1	PUSHNUT, 5/8
0360	703115	3	NUT
0370	703298	1	WASHER, 5/16

# Seat Deck & Fuel Tank Group

Note: Unless noted otherwise, use the standard torque specifications

Mfg. No: 2692023-00



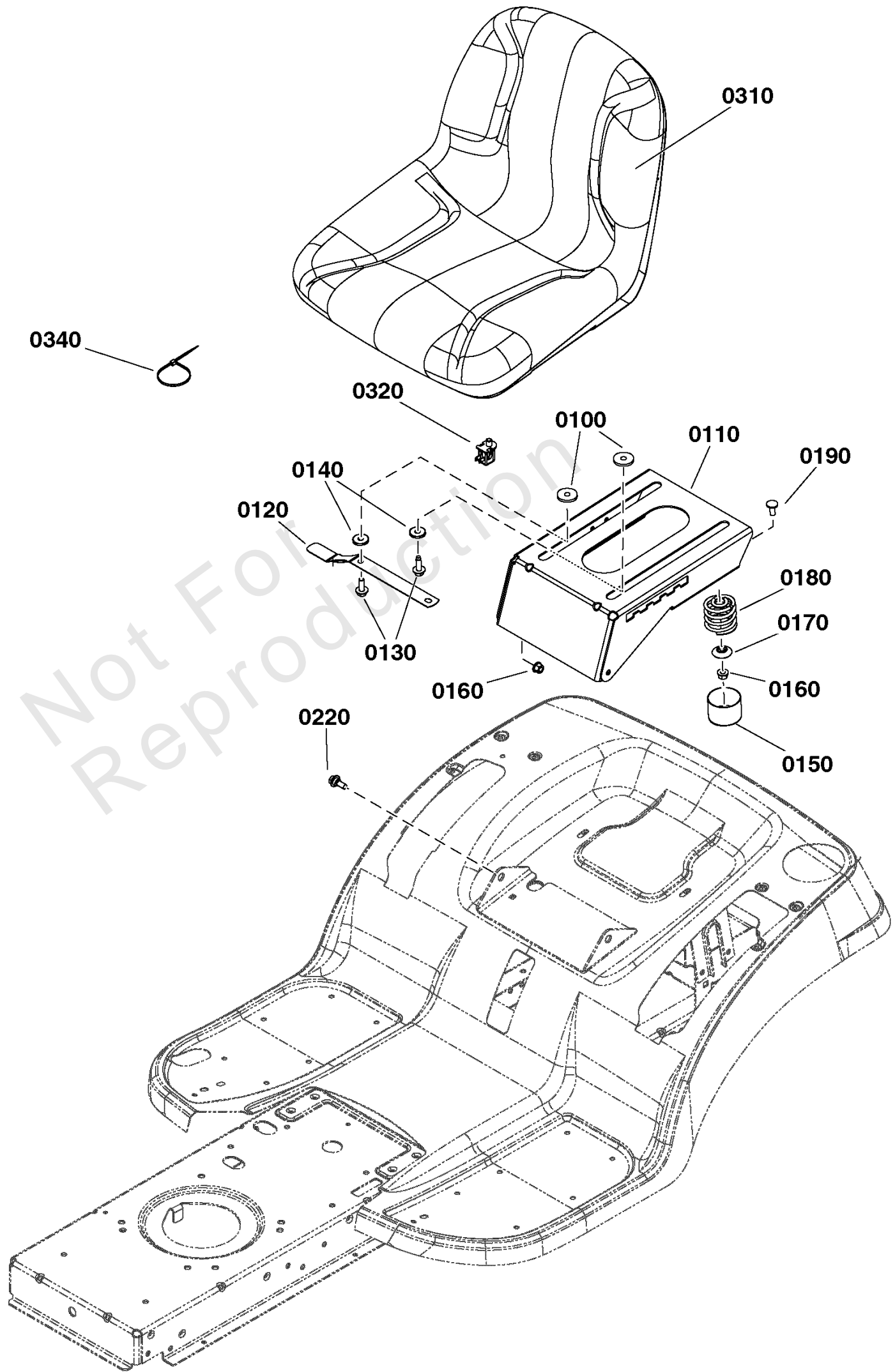
## Seat Deck & Fuel Tank Group

REF NO	PART NO	QTY	DESCRIPTION
0010	1727264DSM	1	SEAT DECK
0020	703185	2	BOLT, Round Head, Short Square Neck
0030	703409	2	NUT, 5/16-18, GR5
0040	1757595YP	1	PAD, Foodrest, RH
0050	1757594YP	1	PAD, Foodrest, LH
0060	1738932YP	1	TANK, Fuel (Without Sender) -(Incl. Ref. Nos 0060-30, 0060-40 & 0060-50)
0060-30	1736609YP	1	FITTING & HOSE ASSEMBLY, Fuel Tank
0060-40	1654930SM	1	BUSHING, Fuel Tank
0060-50	1751624YP	1	NECK, Fuel Filler (Not Shown)
0070	5101651SM	1	CAP, FUEL, VENTED
0080	1739535YP	1	POD, L.H.
0160	703115	2	NUT
0175	1759177CJYP	1	BRACKET, Support, Seat Pivot
0205	1757755BMYP	1	SUPPORT, Seat Pivot
0210	703949	6	SCREW, 5/16-18.625
0220	703851	2	BOLT, 5/16-18X1.15
0240	1739537YP	1	POD, R.H.
0250	1960536SM	6	SCREW, HEX WSHR HD PL
0270	1731310SM	1	SUPPORT, Seat Deck
0300	704065	2	BOLT, 5/16-18X.875
0400	1722302SM	1	GRIP

# Seat Group

Note: Unless noted otherwise, use the standard torque specifications

Mfg. No: 2692023-00



## Seat Group

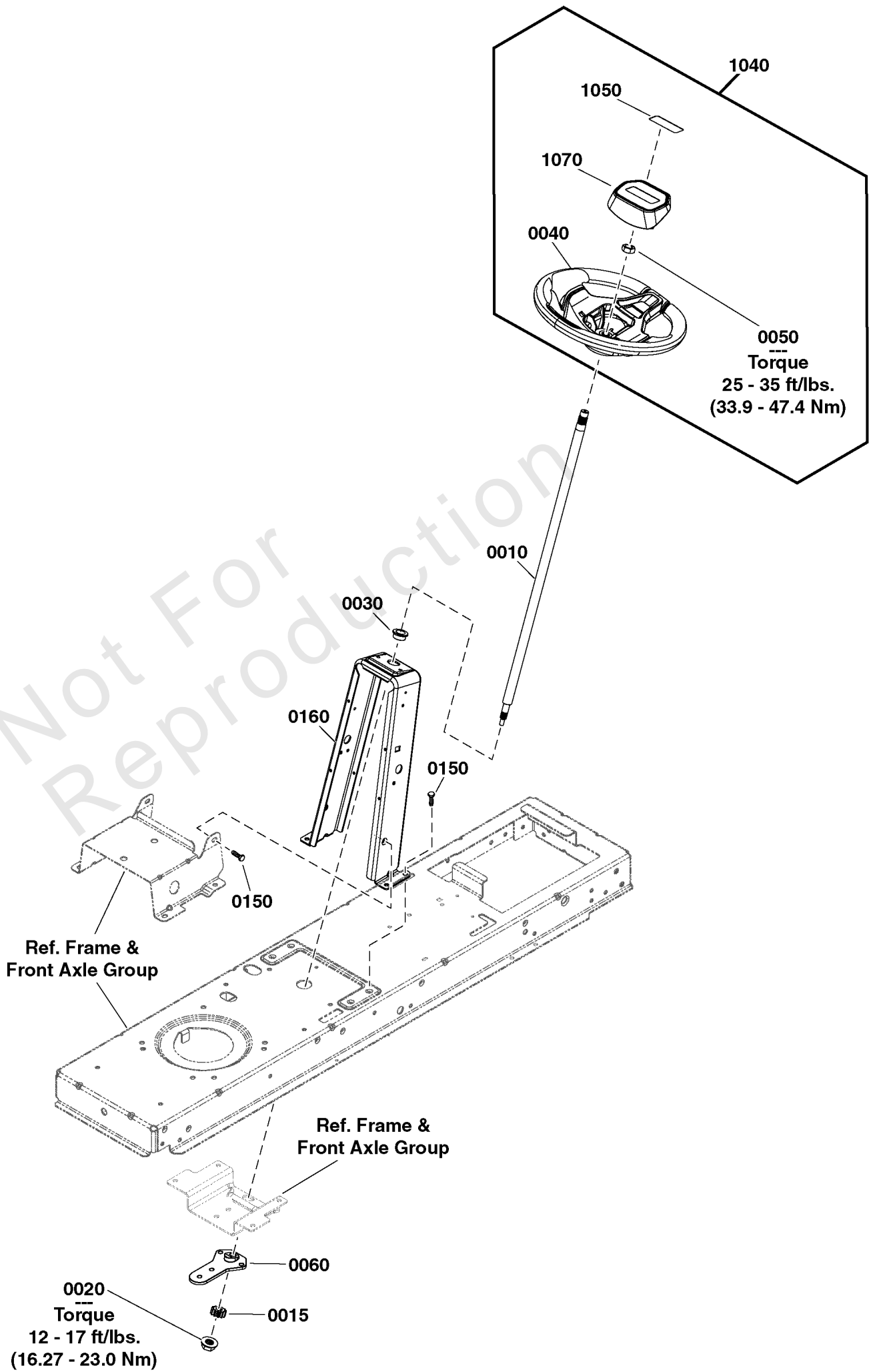
REF NO	PART NO	QTY	DESCRIPTION
0100	1731300SM	4	SPACER, 5/16 ID x 1-1/4 OD x 5/16"
0110	1755767BMYP	1	SUPPORT, Seat
0120	1727268BMYP	1	LATCH, Seat
0130	1930595SM	4	CAPSCREW, Hex Head Flange Lock, 5/16-18 x 1-1/4 -(Torque to 5.8-6.6 ft/lbs)
0140	703298	4	WASHER, 5/16
0150	1704724SM	2	COVER, Spring, 1-1/2"
0160	703115	4	NUT
0170	1709256SM	2	WASHER, Spring, 5/16 x 1 1/4
0180	1704728SM	2	SPRING, Compression, 2"
0190	703225	2	BOLT
0220	703851	2	BOLT, 5/16-18X1.15
0310	1754213YP	1	SEAT, 15" Back
0320	7023354YP	1	SWITCH, SEAT
0340	703586	1	TIE, SELF LOCKING

Not For Reproduction

# Steering Group

Note: Unless noted otherwise, use the standard torque specifications

Mfg. No: 2692023-00



## Steering Group

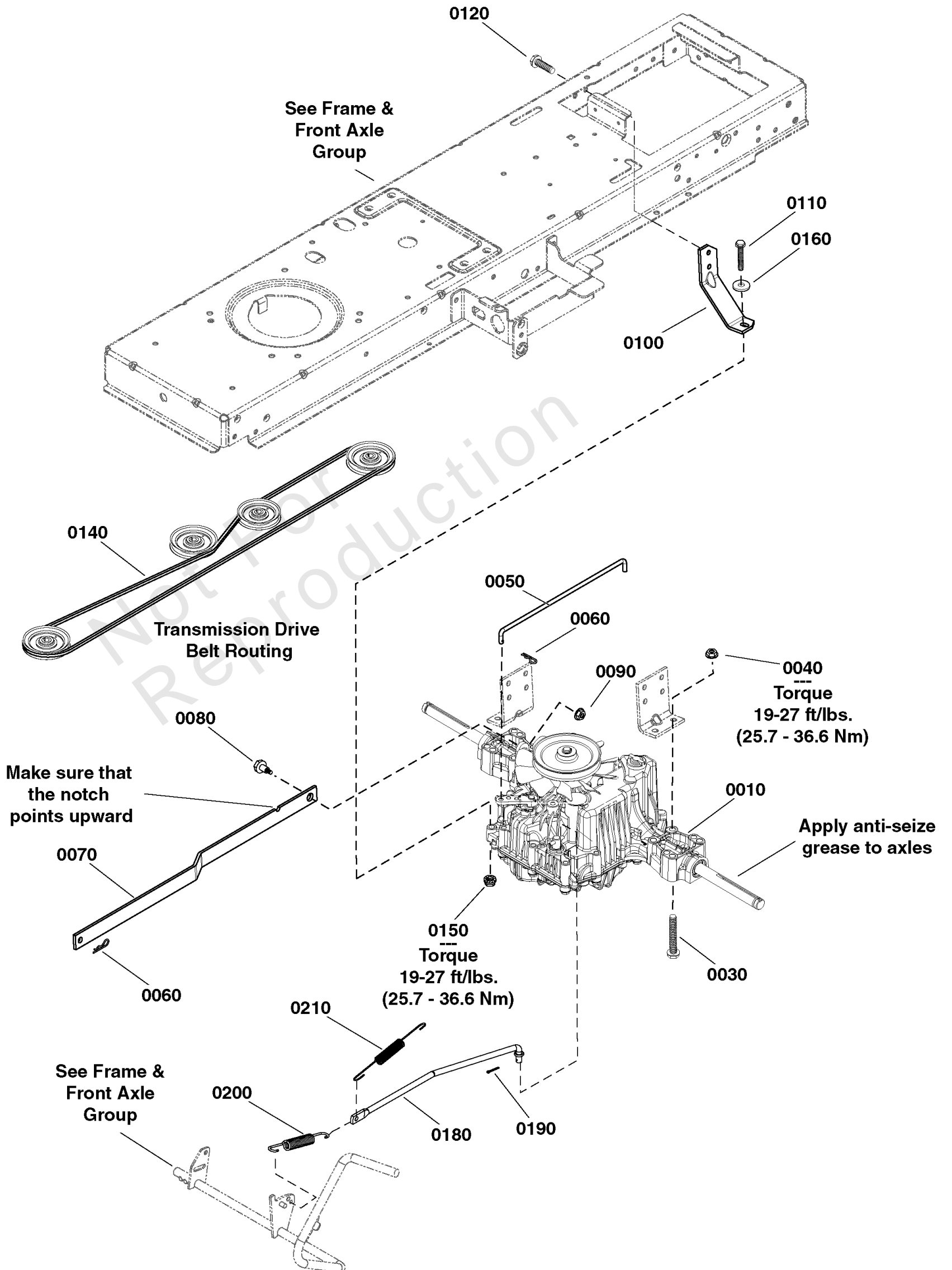
REF NO	PART NO	QTY	DESCRIPTION
0010	1761012YP	1	SHAFT, Steering
0015	1761013YP	1	GEAR, Pinion
0020	703115	1	NUT
0030	1729665SM	1	BUSHING, Steering, 3/4 ID
1040	84001121	1	KIT, Steering Wheel, Snapper -( Incl. Ref. Nos. 0040, 0050, 1050 & 1070 )
0040	-----	1	STEERING WHEEL
0050	1960576SM	1	NUT, Hex Lock, ESNA Light, 5/8-18
1050	84002249	1	DECAL, Snapper Logo, 3.1" X .8"
1070	84002250	1	CAP, Steering Wheel
0060	1761010YP	1	SUPPORT, Steering
0150	703949	6	SCREW, 5/16-18.625
0160	1761498CJYP	1	TOWER, Steering

Not For Reproduction

# Transmission Group

Note: Unless noted otherwise, use the standard torque specifications

Mfg. No: 2692023-00





## Transmission Group

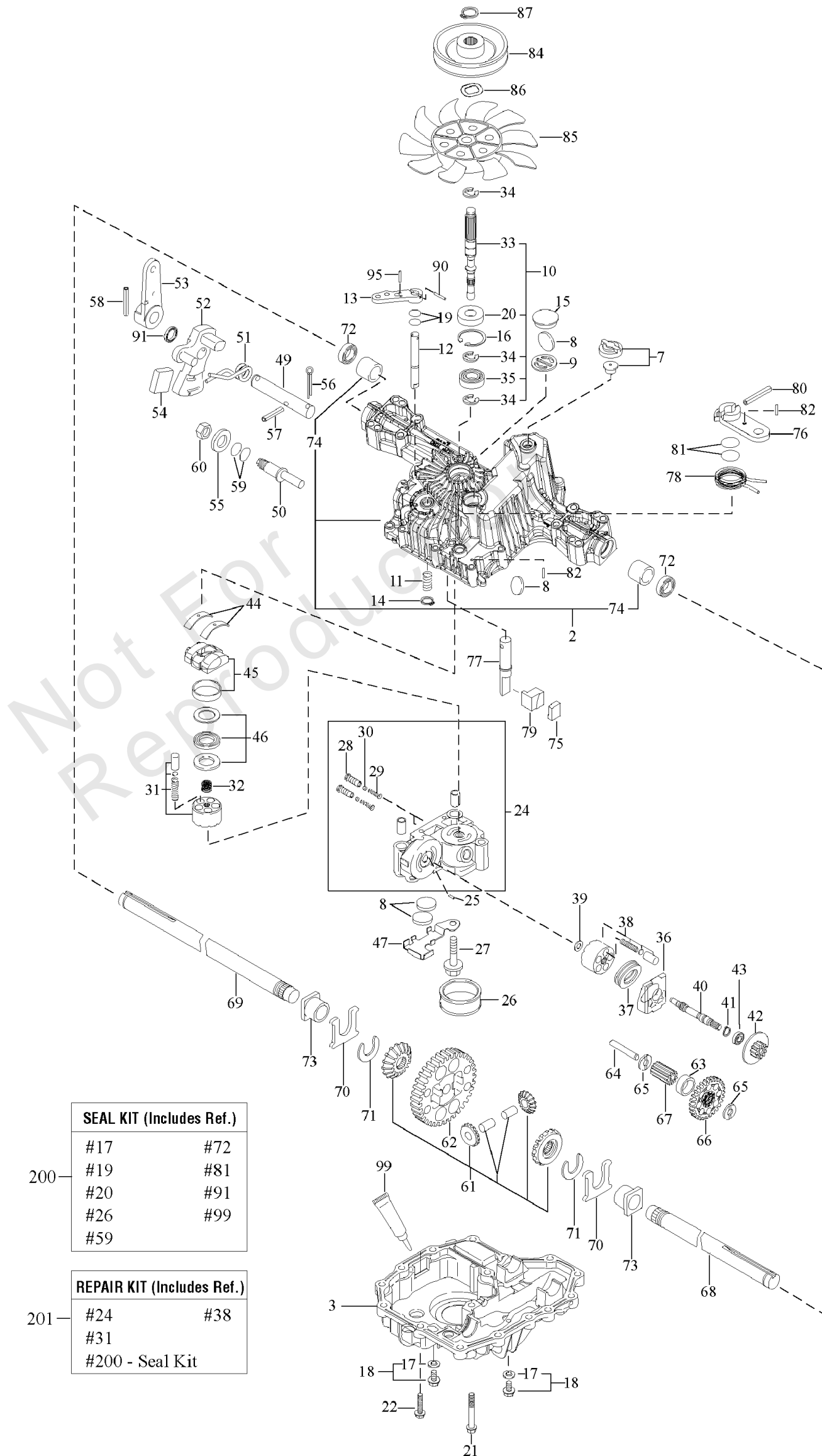
REF NO	PART NO	QTY	DESCRIPTION
0010	1761324YP	1	TRANSMISSION ASSEMBLY, Tuff Torque, K46BP
0030	1960586SM	4	CAPSCREW, Hex Flange, Whiz Lock, 5/16-18 x 2-1/2
0040	1931277SM	4	NUT, Hex Flange Whiz Lock Small, 5/16-18
0050	1728120SM	1	ROD, Bypass, 1/4 x 11 7/16
0060	1722460SM	2	PIN, Hair
0070	1727258ASM	1	ARM, Control
0080	1732426SM	1	BOLT-SHLDR 5/16-18 0.
0090	1935048SM	1	NUT, Hex Flange, Two Way Lock, 5/16-18
0100	1728043ASM	1	STRAP, Torque 7 GA
0110	1922127SM	1	SCREW, Hex Head Cap, 5/16-18 x 1 3/4
0120	1664847SM	1	SCREW, Taptite, 5/16-18 x 3/4
0140	1728008SM	1	V-BELT, HA, 89-1/4" Long
0150	1960686SM	1	NUT, Hex Flange Nylock, 5/16-18
0160	1919381SM	1	WASHER, Flat, .34 ID x 1" OD
0180	1727253SM	1	ROD, Brake, 3/8 Dia. x 15-1/8 Long
0190	1918447SM	1	PIN, Cotter, 15/16 x 3/4
0200	1731262SM	1	SPRING, Extension, 11/16 x 3-3/8
0210	1721995SM	1	SPRING, Extension, 5/8 x 6-5/8

Not For Reproduction

# Transmission SERVICE PARTS - Tuff Torq K46BP

Note: Unless noted otherwise, use the standard torque specifications

Mfg. No: 2692023-00



SEAL KIT (Includes Ref.)	
#17	#72
#19	#81
#20	#91
#26	#99
#59	

200

REPAIR KIT (Includes Ref.)	
#24	#38
#31	
#200 - Seal Kit	

201

## Transmission SERVICE PARTS - Tuff Torq K46BP

REF NO	PART NO	QTY	DESCRIPTION
1	1729588		*TRANSMISSION, Tuff Torq K46BP
2	-----		*KIT, Upper Case
3	-----		*LOWER CASE
7	1718052		VENT VALVE 15
8	1724279		MAGNET
9	-----		*MAGNET HOLDER
10	-----		*PUMP SHAFT/BEARING KIT
11	-----		*SPRING 25
12	1724281		BYPASS SHAFT A
13	1720418		LEVER, Bypass
14	1718061		RING, Snap, 10
15	1724282		SEALING CAP 30
16	1708650		RING, Snap, C 35
17	1724323		SEAL WASHER 8
18	-----		*KIT, Drain Bolt
21	-----		*SCREW, Tapping, 8 * 55
22	1707789		SCREW, Tapping, 8 * 30
24	-----		*CENTER CASE E W/BALL IDS SERVICE KIT
25	1718070		PIN, 3 * 9.8
26	-----		*FILTER 105
27	1720805		BOLT, 10 * 75
28	-----		*IDS VALVE 1.0
29	1724287		IDS SPRING
30	-----		*BALL, 3/16
31	-----		*KIT, Cylinder Block (Pump)
32	1724290		SPRING
33	1739892		PUMP SHAFT
34	1718076		E-RING 15
35	1708673		BEARING, 6202C3
36	1718077		MOTOR HOUSING
37	-----		*THRUST BEARING 51106
38	1718079		KIT, Cylinder Block
39	1718084		WASHER, 12 * 24 * 1
40	1724943		MOTOR SHAFT
41	1708672		RING, Snap, S15
42	1724294		BRAKE DISC/MOTOR GEAR (11T)
43	-----		*BEARING, 6202 RSR C3
44	1718089		THRUST METAL
45	-----		*SWASH PLATE CMP
46	1718086		THRUST BEARING K81105
49	-----		*CONTROL SHAFT
50	-----		*FULCRUM
51	-----		*SPRING, Torsion
52	-----		*CONTROL ARM A
53	1724347		CONTROL LEVER C
54	-----		*JERKY PLATE
55	1708689		WASHER, 12
56	1724349		COTTER PIN, 1/8 * 3/4

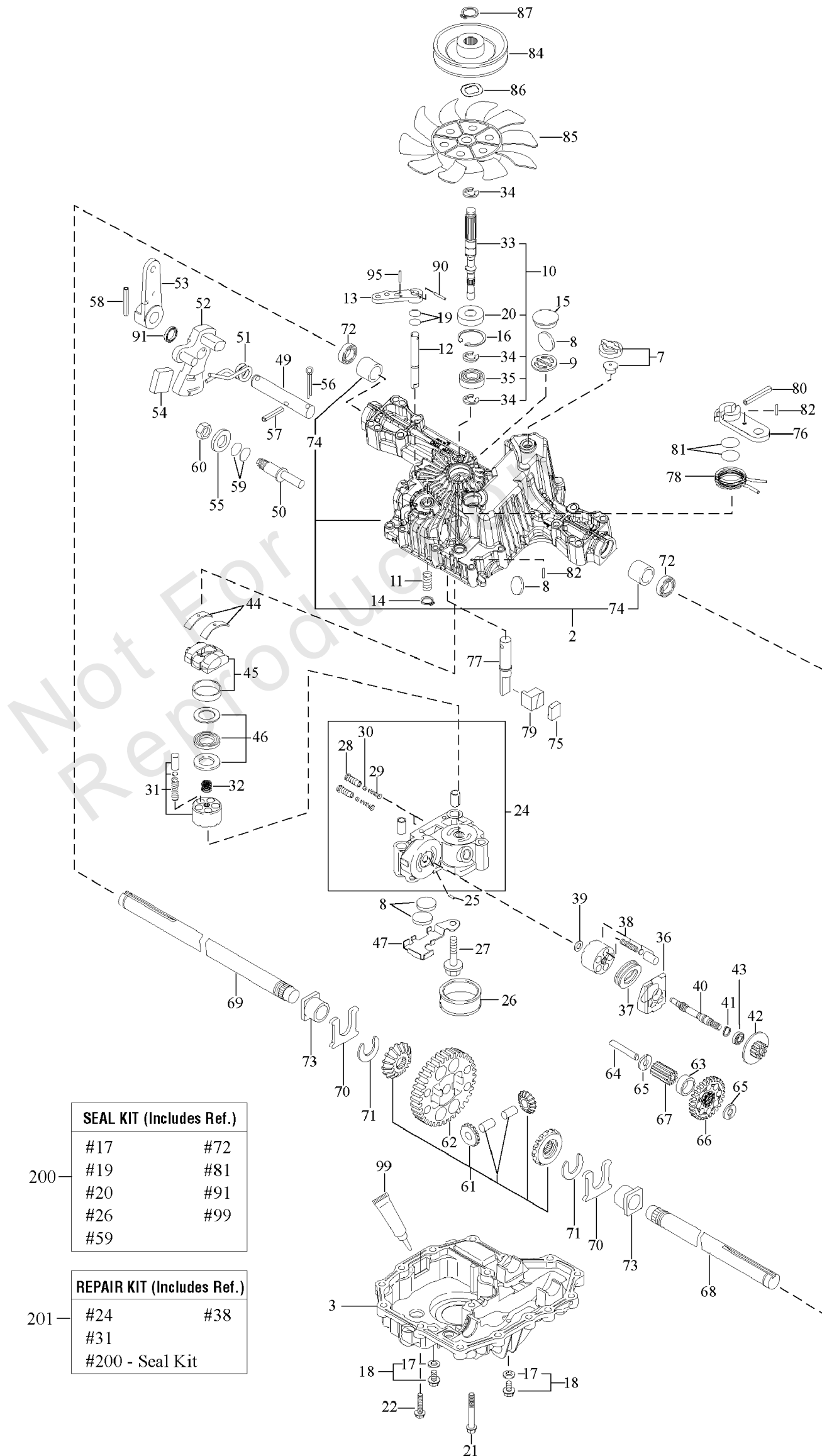
### Footnotes:

\*Note: See your local authorized dealership for Tuff Torq parts and warranty or contact Tuff Torq at [www.tufftorqservices.com](http://www.tufftorqservices.com) (U.S. 1-866-572-3441; Int'l 01-423-585-1977)

# Transmission SERVICE PARTS - Tuff Torq K46BP

Note: Unless noted otherwise, use the standard torque specifications

Mfg. No: 2692023-00



SEAL KIT (Includes Ref.)	
#17	#72
#19	#81
#20	#91
#26	#99
#59	

200

REPAIR KIT (Includes Ref.)	
#24	#38
#31	
#200 - Seal Kit	

201

## Transmission SERVICE PARTS - Tuff Torq K46BP

REF NO	PART NO	QTY	DESCRIPTION
57	1724296		SPRING PIN 6 * 36
58	1718100		ROLL PIN 6 * 40
60	1708692		NUT 12
61	-----		*KIT, Differential Gear
62	-----		*FINAL GEAR (54T)
63	-----		*FINAL PINION COLLAR
64	-----		*REDUCTION SHAFT
65	1724948		WASHER, 12 * 32 * 3.2
66	-----		*REDUCTION GEAR (37T)
67	-----		*FINAL PINION GEAR (10T)
68	1724303		AXLE SHAFT, Left
69	1724304		AXLE SHAFT, Right
70	-----		*THRUST WASHER
71	1718113		RING 17
72	1718111		SEAL 19 * 32 * 8
73	1718110		BUSHING, 19 * 25
74	-----		*BUSHING, 19.05
75	1724305		BRAKE SHOE
76	1724306		BRAKE LEVER
77	-----		*BRAKE SHAFT
78	-----		*BRAKE RETURN SPRING
79	1724309		BRAKE ACTUATOR
80	1724310		SPRING PIN 5 * 32
82	1724311		SPRING PIN 4 * 16
84	1732918		PULLEY D
85	1724314		FAN, White
86	1724315		WASHER, Wave
87	1724316		SNAP RING
90	-----		*SPRING PIN 3.0A * 20
95	-----		*SPRING PIN 3.0A * 16
99	-----		*SEALANT
200	1727541		K46 & T40 SEAL KIT (ALL MODELS)
201	-----		*REPAIR KIT K46

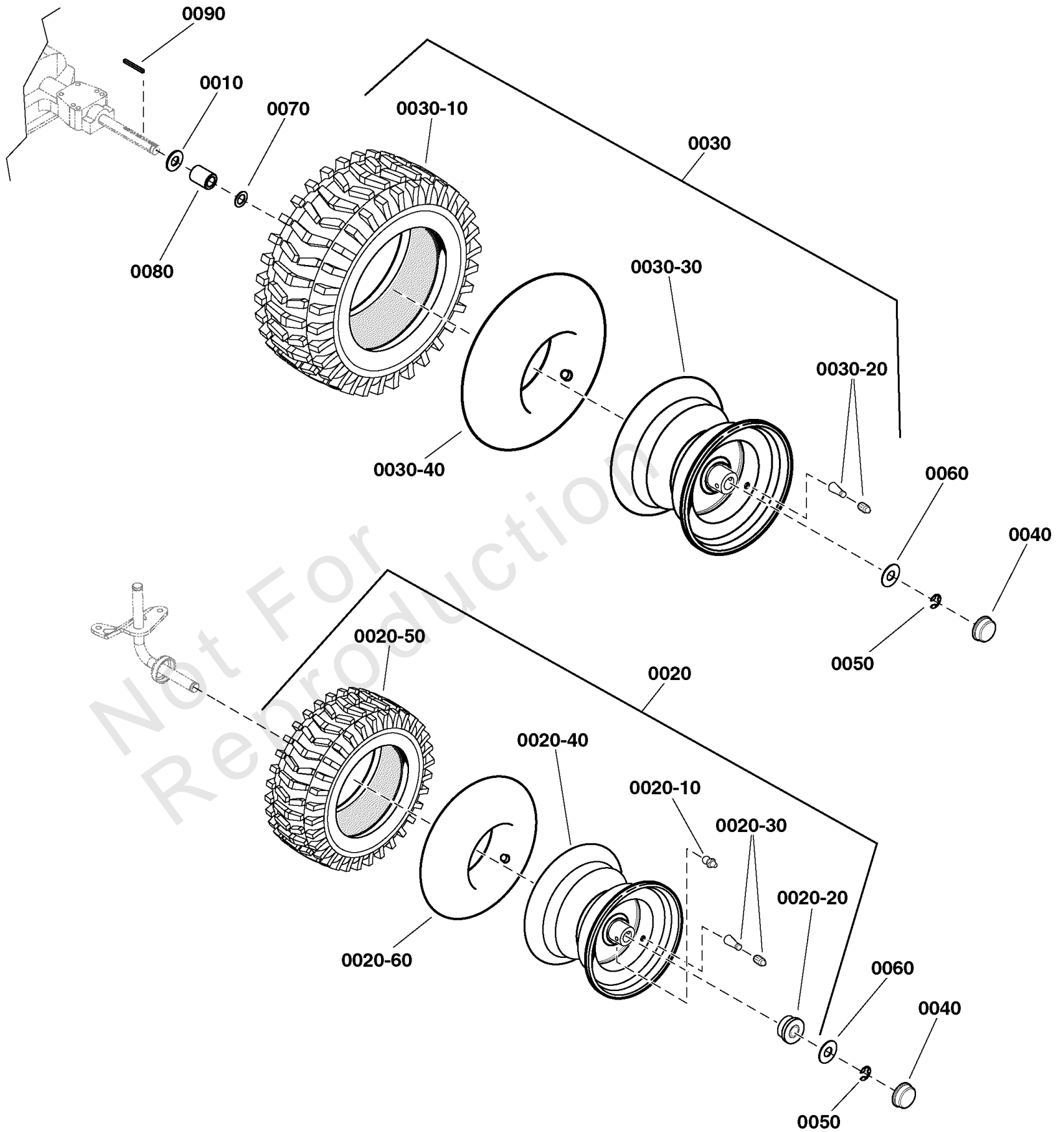
### Footnotes:

\*Note: See your local authorized dealership for Tuff Torq parts and warranty or contact Tuff Torq at [www.tufftorqservices.com](http://www.tufftorqservices.com) (U.S. 1-866-572-3441; Int'l 01-423-585-1977)

# Wheels & Tires

Note: Unless noted otherwise, use the standard torque specifications

Mfg. No: 2692023-00



## Wheels & Tires

REF NO	PART NO	QTY	DESCRIPTION
0010	2860202SM	1	WASHER, 3/4 x 1-5/8 OD x 1/8 Thick
0020	1761503YP	1	WHEEL AND TIRE ASSEMBLY, Front, 15 x 6-6
0020-10	84003425	1	ZERK, Grease Fitting
0020-20	84003424	1	BEARING, Ball
0020-30	2172353SM	1	VALVE STEM & CAP
0020-40	-----	1	Rim -(Refer to Note: *)
0020-50	7101556YP	1	TIRE, 15 x 6 2 Ply K358
0020-60	1664090SM	1	TUBE, Tire, Front
0030	7101560YP	1	ASSY, WHEEL & TIRE
0030-10	7101559YP	1	TIRE, 20 x 8-8, K358
0030-20	2172353SM	1	VALVE STEM & CAP
0030-30	-----	1	RIM -(Refer to Note: *)
0030-40	2173477SM	1	TUBE
0040	094618MA	4	HUB CAP
0050	2827794SM	4	KLIPRING, .75 Dia Shaft
0060	17X195MA	4	WASHER, Flat 1-3/4
0070	17X160MA	2	WASHER, Flat, 3/4 x 1-1/4 x 16
0080	1730181SM	2	SPACER, 3/4 ID x 1-1/4 OD x 1-5/8
0090	MU021553MA	2	Key, Square

Not For  
Reproduction

---

**Footnotes:**

Note\* Not a serviceable part, service wheel complete





