



EBSB2AH82 / EBSB4AH82 / EBSRC82

1760514 / 1760515 / 1760264

<b>EN</b>	82V Lithium-Ion Rechargeable Battery&Charger	USER'S MANUAL	1
<b>AR</b>	تلوف 82 نحاشو نحشلا فداعال فلباق نوي اويثيل فيراطب	دلابل المبرتخدم	6
<b>BG</b>	82V Литиево-Ионна Презареждаща Се Батерия И Зарядно Устройство	РЪКОВОДСТВО ЗА УПОТРЕБА	11
<b>CS</b>	Lithium-Iontová Dobíjecí Baterie A Nabíječka 82V	NÁVOD K OBSLUZE	17
<b>DA</b>	82V Lithium-Ion Genopladeligt Batteri & Oplader	BRUGERVEJLEDNING	22
<b>DE</b>	82V Lithium-Ionen Akku & Ladegerät	BEDIENUNGSANLEITUNG	27
<b>ES</b>	Cargador Y Batería Recargable De Lítio-Ion De 82V	MANUAL DE UTILIZACIÓN	33
<b>ET</b>	Liitium-Ioonaku 82 V Ja Laadija	KASUTAJAJUHEND	39
<b>FI</b>	82V Ladattava Litiumioniakku Ja Laturi	KÄYTTÄJÄN KÄSIKIRJA	44
<b>FR</b>	Batterie Et Chargeur Lithium-Ion Rechargeable 82 V	MANUEL D'UTILISATION	49
<b>HR</b>	Punjač I Punjiva Litij-Ionska Baterija Od 82 V	KORISNIČKI PRIRUČNIK	55
<b>HU</b>	82V Lítium-Ion Akkumulátor És Töltő	HASZNÁLATI ÚTMUTATÓ	60
<b>IT</b>	Batteria Ricaricabile E Caricatore Agli Ioni Di Lítio Da 82V	MANUALE D'USO	66
<b>LT</b>	82 V Ličio Jonų Įkraunamasis Akumuliatorius Ir Įkroviklis	NAUDOJIMO VADOVAS	72
<b>LV</b>	82V Litija Jonu Uzlādējams Akumulators Un Lādētājs	LIETOTĀJA ROKASGRĀMATA	77
<b>NL</b>	82V Lithium-Ion Herlaadbare Batterij&Oplader	GEBRUIKERSHANDLEIDING	82
<b>NO</b>	82V Litium-ion Oppladbart Batteri Og Batterilader	BRUKSANVISNING	88
<b>PL</b>	Akumulator Litowo-Jonowy 82 V Z Ładowarką	PODRĘCZNIK OBSZUGI	93
<b>PT</b>	Bateria Recarregável De Ião-Lítio De 82V	MANUAL DE UTILIZAÇÃO	99
<b>RO</b>	Încărcător Şi Baterie Reîncărcabilă De Lítio-Ion Ia 82V	MANUAL DE UTILIZARE	105
<b>RU</b>	Литий-Ионная Презаряжаемая Батарея 82 В И Зарядное Устройство	РУКОВОДСТВО ПО ЭКСПЛУАТАЦИИ	111
<b>SK</b>	82V Lítium-iónová Nabíjateľná Batéria A Nabíjačka	NÁVOD NA POUŽITIE	118
<b>SL</b>	Litij-Ionska Baterija In Polnilnik Za Večkratno Polnjenje 82 V	UPORABNI KI PRIROČNIK	124
<b>SR</b>	82V Литијум-Јонски Допуњиви Акумулатор И Пуњач	КОРИСНИЧКИ ПРИРУЧНИК	130
<b>SV</b>	82 V Uppladdningsbart Litiumjon-Batteri Med Laddare	INSTRUKTIONSBOK	135
<b>TR</b>	82V Lityum İyon Yeniden Şarj Edilebilir Akü Ve Şarj Cihazı	KULLANICI KILAVUZU	140
<b>UK</b>	Літій-Іонний Акумулятор 82В Та Зарядний Пристрій	ПОСІБНИК КОРИСТУВАЧА	145

**Important!** It is essential that you read the instructions in this manual before operating this machine.



## English (Original instructions)

### BATTERY

#### SPECIFICATIONS

EBSB2AH82

Battery: 72V  $\approx$  2.0AH, 144Wh, 82V MAX

Voltage per cell: 3.6V ; Number of cells: 20

Charge time: 30 min. (use EBSRC82 Charger)

EBSB4AH82

Battery: 72V  $\approx$  4.0AH, 288Wh, 82V MAX

Voltage per cell: 3.6V ; Number of cells: 40

Charge time: 60 min. (use EBSRC82 Charger)

For the proper use, maintenance and storage of this battery, it is crucially important that you read and understand the instructions given in this manual.

To avoid serious injury, risk of fire, explosion and danger of electric shock or electrocution:

- DO NOT probe the charger with conductive materials.
- If the battery pack case is cracked or damaged, DO NOT insert into the charger. Replace with a new battery pack.
- DO NOT charge these battery packs with any other type of charger.
- DO NOT allow liquid inside the charger.
- DO NOT try to use the charger for any other purpose than what is presented in this manual.
- DO NOT try to short circuit any terminals of battery pack.

#### ▲ WARNING

If the battery fluid gets in your eyes, flush immediately with clean water for at least 15 minutes. Get immediate medical attention. Do not charge the battery pack in rain or in wet conditions. Do not immerse the tool, battery pack, or charger in water or other liquid.

- Do not allow the battery pack or charger to overheat. If they are warm, allow them to cool down. Recharge only at room temperature.
- Do not cover the ventilation slots on the top of the charger. Do not set the charger on a soft surface i.e. blanket, pillow. Keep the ventilation slots of the charger clear.
- Do not allow small metal items or material such as steel wool, aluminum foil, or other foreign particles into the charger cavity.
- Unplug the charger before cleaning and when there is no battery pack in the charger.
- Do not place the battery pack in the sun or in a warm environment. Keep at normal room temperature.
- Do not try to connect two chargers together.
- Keep in shady, cool and dry condition, if the battery is not charged for a long time; charge the battery for 2 hours every 2 months.
- The battery pack cells may develop a small leak under extreme usage or temperature conditions. If the outer seal is broken and the leakage gets on your skin:
  - Use soap and water to wash immediately.
  - Neutralize with lemon juice, vinegar, or other mild acid.
- If leakage gets in your eyes, follow instructions above and seek medical attention.
- Please check prior use, if output voltage

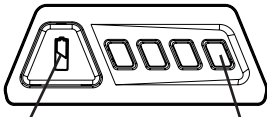
## English (Original instructions)

and current of the battery charger is suitable for the charging battery pack.

- Do not use the charger in the circumstances that the output Polarity does not match the load polarity.
- For indoor use only.
- The cover may under no circumstances be opened. If the cover is damaged, then the charger may no longer be used.
- Do not recharging non-rechargeable batteries.

### CHECKING BATTERY CAPACITY

Press the battery capacity indicator (BCI) button. The lights will illuminate according to the batteries capacity level. See chart below:



BATTERY CAPACITY INDICATOR (BCI) BUTTON LIGHT METER INDICATOR (LMI)

Lights	Capacity
4 Green Lights	The battery is above 80% capacity.
3 Green Lights	The battery is between 80% and 60% capacity.
2 Green Lights	The battery is between 60% and 40% capacity.
1 Green Light	The battery is between 40% and 25% capacity.
Lights go out	The battery is less than 25% capacity and requires charging immediately.

### SAFETY NOTES AND PRECAUTIONS

1. Do not disassemble the battery.
2. Keep away from the children.
3. Do not expose the battery to water or salt water, battery should be stored in a cool and dry location and should place the battery in cool and dry environment.
4. Do not place the battery in high-temperature locations, such as near a fire, heater, etc.
5. Do not reverse the positive terminal and the negative terminal of the battery.
6. Do not connect the positive terminal and the negative terminal of the battery to each other with any metal objects.
7. Do not knock, strike or step on the battery.
8. Do not solder directly onto the battery and pierce the battery with nails or other edge tools.
9. In the event that the battery leaks and the fluid gets into one's eye, do not rub the eye. Rinse well with water. Immediately discontinue use of the battery, if, while using the battery emits an unusual smell, feels hot, changes color, changes shape, or appears abnormal in any other way.

#### ⚠ WARNING




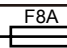
To avoid risk of fire, electric shock, or electrocution:

- Do not use a damp cloth or detergent on the battery or battery charger.
- Always remove the battery pack before cleaning, inspecting, or performing any maintenance on the tool.

### CLEANING

Wipe the outside of the charger with a dry, soft cloth. Do not hose down or wash with water.

## English (Original instructions)

	Class II Double insulation
	For indoor use only
	Before charging, read the instructions
	Fuse

### ▲ WARNING

The appliance is not to be used by persons (including children) with reduced physical, sensory or mental capabilities, or lack of experience and knowledge, unless they have been given supervision or instruction. Children being supervised not to play with the appliance.

- Children shall not play with the appliance.
- Cleaning and user maintenance should not be made by children without supervision.
- If the supply cord is damaged, it must be replaced by manufacturer, its service agent or similarly qualified persons in order to avoid a hazard.

### ENVIRONMENTALLY SAFE BATTERY DISPOSAL



The following toxic and corrosive materials are in the batteries used in this tool battery pack:

Li-ion, a toxic material.

### ▲ WARNING

All toxic materials must be disposed of in a specified manner to prevent contamination of the environment. Before disposing of damaged or worn out Lithium-ion battery packs, contact your local waste disposal agency, or the local Environmental Protection Agency for information and specific instructions. Take the batteries to a local recycling and/or disposal centre, certified for Li-ion disposal.

### ▲ WARNING

If the battery pack cracks or breaks, with or without leaks, do not recharge it and do not use. Dispose of it and replace with a new battery pack. **DO NOT ATTEMPT TO REPAIR IT!**

To avoid injury and risk of fire, explosion, or electric shock, and to avoid damage to the environment:

- Cover the battery's terminals with heavy-duty adhesive tape.
- **DO NOT** attempt to remove or destroy any of the battery pack components.
- **DO NOT** attempt to open the battery pack.

### ▲ WARNING

■ If a leak develops, the released electrolytes are corrosive and toxic. **DO NOT** get the solution in the eyes or on skin, and do not swallow it.

- **DO NOT** place these batteries in your regular household trash.
- **DO NOT** incinerate.
- **DO NOT** place them where they will become part of any waste landfill or municipal solid waste stream.
- Take them to a certified recycling or disposal centre.

## English (Original instructions)

### BATTERY CHARGER

#### SPECIFICATIONS

82V Charger: EBSRC82

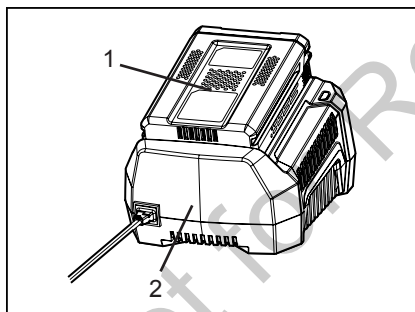
Input: 230V ~ 50/60Hz, 2.5A

Output: 82V = 4A

#### CHARGING PROCEDURE

**NOTE:** The battery is not shipped fully charged. It is recommended to fully charge before use to ensure that maximum run time can be achieved. This lithium-ion battery will not develop a memory and may be charged at any time.

1. Plug the charger into an AC power outlet.
2. Insert the battery pack (1) into the charger (2).



This is a diagnostic charger. The Charger LED Light will illuminate in specific order to communicate the current battery status. They are as follows:

LED STATUS	DESCRIPTION
Blinking Green	Charging
Solid Green	Fully Charged
Solid Red	Over Temperature
Blinking Red	Charging Fault

#### False Defect Note:

When the battery is inserted into the charger, and the status LED flashes, remove the battery from the charger for 1 minute, then reinsert. If the status LED indicates normal than the battery pack is good. If the status LED is still blinking, remove the battery pack and unplug the charger. Wait 1 minute and plug the charger back in and reinsert the battery pack. If the status LED indicates normal than the battery pack is good. If the status LED is still blinking then the battery pack is defective and needs to be replaced.

**NOTE:** When the red indictor flickers, pull out the battery from the charger and insert again within 2 hours. If the indictor shows charging, that means the battery is good. After 2 hours, please pull out the battery and also pull out the AC power plug of the charger for 1 minute, and then insert the AC power plug and the battery again. If the indictor shows charging, that means the battery is good. If not, the battery needs to be changed.

#### CHECKING THE CHARGER

If the battery pack does not charge properly:

- Check the current at the power outlet with another tool. Make sure that the outlet is not turned off.
- Check that the charger contacts have not been shorted by debris or foreign material.
- If the surrounding air temperature is not normal room temperature, move the charger and battery pack to a location where the temperature is between 6 °C and 40 °C.

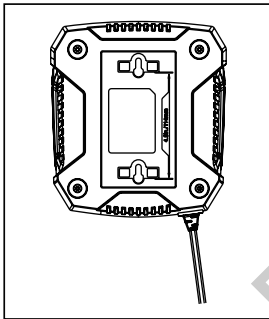
#### ⚠ WARNING

If the battery is inserted into the charger when warm or hot, the CHARGING LED indicator light on the charger may switch on and illuminate RED. If this occurs allow the battery to cool outside of the charger from approximately 30 minutes.

## English (Original instructions)

### CHARGER MOUNTING

1. This charger can be installed hanging on a wall using two #8 screws (not supplied).
2. Locate the placement for the charger to be wall mounted.
3. If fastening to wood studs use 2 wood screws (not included).
4. Drill two holes on center 114.3mm apart ensuring that they are vertically aligned.
5. If fastening to drywall use wall anchors (not included) and screws to secure the charger to the wall.



**NOTE:** If the battery and the charger won't be used for a long time, please remove the battery from the charger and pull out the AC power plug.

### IMPORTANT SAFETY INSTRUCTIONS

1. SAVE THESE INSTRUCTIONS - DANGER: TO REDUCE RISK OF FIRE OR ELECTRIC SHOCK CAREFULLY FOLLOW THESE INSTRUCTIONS.
2. Confirm the voltage available at each country location before using the charger.
3. If the sharp of the plug does not fit the power outlet, use an attachment plug adaptor of the proper configuration for the power outlet.

### CORRECT DISPOSAL OF THIS PRODUCT:



This marking indicates that this product should not be disposed with other household wastes throughout the EU. To prevent possible harm to the environment or human health from uncontrolled waste disposal, recycle it responsibly to promote the sustainable reuse of material resources. To return your used device, please use the return and collection systems or contact the retailer where the product was purchased. They can take this product for environmental safe recycling.

### Removal of waste batteries and accumulators



Member States shall ensure that manufacturers design appliances in such a way that waste batteries and accumulators can be readily removed. Where they cannot be readily removed by the end-user, Member States shall ensure that manufacturers design appliances in such a way that waste batteries and accumulators can be readily removed by qualified professionals that are independent of the manufacturer. Appliances in which batteries and accumulators are incorporated shall be accompanied by instructions on how those batteries and accumulators can be safely removed by either the end-user or by independent qualified professionals. Where appropriate, the instructions shall also inform the end-user of the types of battery or accumulator incorporated into the appliance.

## العربية (تعليقات الأصلية)

## ةيراطبلا

## تافصاوملا

## EBSB2AH82

82 ،طاو 144 ،ريبمأ 2.0 == تملوف 72 :ةيراطبلا  
ىصقأ دح تملوف

ةيلخ 20 :ايالخلا ددع ؛تملوف 3.6 :ةيلخ لك ةيتملوف  
(EBSRC82) نحاش مادختساب) ةقيقد 30 :نحشلال نمز

## EBSB4AH82

82 ،طاو 288 ،ريبمأ 4.0 == تملوف 72 :ةيراطبلا  
ىصقأ دح تملوف

ةيلخ 40 :ايالخلا ددع ؛تملوف 3.6 :ةيلخ لك ةيتملوف  
(EBSRC82) نحاش مادختساب) ةقيقد 60 :نحشلال نمز

اهتن ايصو ةيراطبلا مذهل حيحصل مادختسالا لجانم  
مهفتو ارقبت نا ةياغلل مهملأ نم ،ان يزختو  
ليلدلا اذه يف ةنيبملا تاميلعتلا

راجفنالاو قيديل رطخو ةيراطبلا ةباصالا بنجتل  
ءابيرمكلا لتقلا ءا ةئيءابيرمكلا ةقدصلا رطخو

- ةلصوم دوم قطساوب نحاشلا ريبست ال
- ءا ءخورشم تاييراطبلا ةتبلع ةيواح تناك نإ
- اهل دبستساو ،نحاشلا يف اهلخذت ال ةررضتم  
ةديدج ةيراطب ةقبلع

نم رخا ءعون ياب ةيراطبلا بلع نحشت ال  
نحاشلا

- نحاشلا يف لئاولسالا لوخدب حمست ال
- ريغ رخا ببس يال نحاشلا مادختسا لواحت ال  
ليلدلا اذه يف نيبملا
- بلع يف فارطأ ي ءرئاد ريبصقت لواحت ال  
ةيراطبلا

## ريذحت

لك،كينيغ يف ةيراطبلا لئاس لوخد ءلاح يف  
ةقيقد 15 ءدمل فيظن ءامب روفلا لىع امفطشا  
ةيروفلا ةيبطلأ ءيانعلا بلطاو .لقالا لىع  
أضيا

يف ءا رطلما يف ةيراطبلا ةقبلع نحشت ال  
ةقبلع ءا ءادال رمعت الو .ةبطلالا لواحالا نم اهرغي  
ىرخالا لئاولسالا ءا ءاملا يف نحاشلا ءا ةيراطبلا

ةنوخسلل نحاشلا ءا ةيراطبلا ةقبلع ضرعت ال  
هت نادربي امكرتا نيءفاد احبصا نو ،ةطرفملا  
ةفرغلا ءراح ءجرد لىلا نالصي امدن عم نحش دعأ

الو .نحاشلا لىع ءا ةيوهتلا تاحتف قلغت ال  
ةيراطبلا لثم معان حطس لىع نحاشلا عضت  
نحاشلا ةيوهت تاحتف لىع ظفاح .ءداسولا ءا  
ةيلاخو ءفيظن

لثم ءريغص داوم ءا ءيشأ لوخدب حمست ال  
نم اهرغي ءا موينوملأا قرو ءا يذالوفلا فوصلأ  
نحاشلا فيوجت يف ىرخالا ءيخراخلا تاييزجلا

ءا مفيظنت لبق ءابرهكلا نم نحاشلا لوصفا  
نحاشلا يف ةيراطبلا ةقبلع نوكت ال امدن عم

ةئيبي يف ءا سمشلا يف ةيراطبلا ءيلع عضت ال  
ةيداعلا ءفرغلا ءراح ءجرد يف امظفح .ةئفاد

اعم نينحاش ليصوت لواحت ال

يفو لظلا يف نحاشلا ءا ةيراطبلا لىع ظفاح  
ةنوخشم ةيراطبلا نكت مل نإ فاجو دراب ناكم  
نيتعاس ءدمل امدن حش ءداعا لىجرىو ،ةليوط ءرتفعل  
نينيمش لك

ةقبلع ايالخ نم طيسب برس تئحدي دق  
لاوحالا ءا ديءشلا مادختسالا ءلاح يف تاييراطبلا  
يخراخلا لءاعلا رسك ءلاح يف .ةيساقلا ءيوجلأ  
مايقلا لىجرى كترشب لىلا بيريستلا لوصوو  
يلى امب

روفلا لىع اهل سغل ءاملأا نوباصلا مدختسا  
نومليللا ريصع ءطساوب رثالا دييجت مقي  
رخا فيفخ ضمح ي ءا ءلخالو

عبتا ،كينيغ لىلا بيريستلا لوخد ءلاح يف  
لىع ءيبيط ءدعاسم لىع لوصوا ءال عا تاميلعتلا  
روفلا

جرخم جاتنإ نأ نم مادختسالا لبق ققحتلا لىجرى  
ةيراطبلا نحاشلا يءابرهكلا رايئالا ءيتلوفلا  
ةيراطبلا ةقبلع نحشلا ءال

قفاوت مدع ءلاح يف ةيراطبلا مدختست ال  
لمحلا ءيبيط عم ءجتنملا ءيبطقلا

قطف يلىخاللا مادختسالا

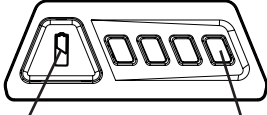
ءلاح يف .فورظ يءا تحت ءاطغلا حتف يغبني ال  
حل اص ريغ نحاشلا حبصى دق ءاطغلا ررضت  
يىرخا قرم مادختسالا

نحشلال ءلباق ريغ تاييراطب نحش ديغت ال

## العربية (تعليقات الأصلية)

### تيراطبلا ءعس نم ققحتلا

فوسو (BCI) تيراطبلا ءعس رشؤم رز ىلع طغضنا. تيراطبلا ءعس يوتسمل اقفو ءوضالآ ءيضي ت. اهدا لودجلا رظنا:



ءوضالآ دادع (BCI) تيراطبلا ءعس رشؤم

ءوضالآ	ءعسلا
ءارضخ ءوضالآ 4	80% نم رثكفا تيراطبلا ءعس
ءارضخ ءوضالآ 3	80% نيب تيراطبلا ءعس و 60%.
ءارضخ ءوض 2	60% نيب تيراطبلا ءعس و 40%.
ءارضخ ءوض 1	40% نيب تيراطبلا ءعس و 25%.
ءوضالآ ءافطنلا	25% نم لقا تيراطبلا ءعس. روفلا ىلع نوحش ىلإ جاتحتو.

تيراطبلا مادختسا نع روفلا ىلع فقوت. ءاملاب تيراطبلا نم ءدات عم ريغ ءحار نئاعبنا ءلاح يف وأ اهلكش وأ امنول ريغت وأ اهنوخسب روعشلا وأ اهيلع يعيبط ريغ لكش يا رومظ.

### ريذحت

وأ تيراطبلا مءصلا وأ قيرحلا رطخ بنجتل ءابرا مءصلا لىقلا:

- ىلع فظنم وأ ءلل بم شامق ءعطق مدختست ال تيراطبلا نوحش وأ تيراطبلا.
- لبق اءئاد تيراطبلا تىلع ءلازب مق ءادال ءنايص يا ءادا وأ صءفلا وأ فيظنتلا.

### فيظنتلا

ءمعانو ءفاج شامق ءعطقب جراخلا نم نوحشلا حسم ءاملاب ملسغت وأ ءرازب ءاملاب نوحشلا شرت الو.

	ءئفلا جودم لزع
	طقف يلخا دل مادختست ال
	نوحشلا لبق تاميلعتلا أرقا
	F8A زويف

### ءملاس تاطايت حوا تءايبنت

1. تيراطبلا لكيكفتب مق ت ال.
2. لافطالآ نع اءيعب تيراطبلا ظفح.
3. ءاملاب ءاملاب ءلا تيراطبلا ضرعت ال، يفو ءفاجو دراب نءم يف تيراطبلا ظفح يعبني ءفاجو دراب ءئيب.
4. اءتراح ءجرد نءامأ يف تيراطبلا ءعضت ال. كءلذ ريغ وأ ءانءسلا وأ رانلا لءم ءعفترم.
5. يف بلالسا فرطلاو بجوملا فرطلا سءع ت ال. تيراطبلا.
6. يف بلالسا فرطلاو بجوملا فرطلا لىقوت ال. ءينءعم ءايشأ ياب وأ ضءبل امءضعبب تيراطبلا ىرخأ.
7. اهيلع طغضت وأ اءقءت و تيراطبلا ىلع قرطت ال.
8. ريماسمب اءبقتت الو ءرشابم تيراطبلا مءلت ال. ىرخأ ءءاح ءاودا وأ.
9. لئالسا لوءءو تيراطبلا نم برس تءو ءلاح يف. اءيج امءطشاو نءعلا كءرفت ال، نءعلا يف.



## العربية (تعليقات الأصل)

## ⚠ ريذحت

لبق نم مادختس الل صصخم ريغ زاهجلا اذه دودحما مهفلا يوذ (لافطال مهيف امب) صراخشال مه عوضخ ةلاح يف ال! ففر عملا وأ قربخا صقن وأ يغبن ي. تاميل عتلا ب مهم ازتلا و فارشال ل زاهجلا ب شبخا مدع نامضرا لافطال ا ل ع فارشال ا

- زاهجلا ب لافطال ا شبخي نأ يغبن ي ال
- فيظنتلا ا عارجا ب لافطال ا حامسلا يغبن ي ال فارش! نودب ةني يصل او
- بجي ،ءابرهكلا لكس ررضت ةلاح يف ليك وأ ةعنصملا فطرشلا لبق نم ملادبتسا بنجنتل لشملاب نيل هوم صراخشأ وأ امل ةمدخ رطاخملا

## ⚠ ريذحت

ءامسكت وأ تايراطبلا قتلع ققشت ةلاح يف نحش دي عت ال ،شذحت مل وأ تابرس ت تشدح ءاوس ةيراطبلا نم صلخت .امدختست الو ةيراطبلا لواحت الو .قديج تايراطب قتلع اب لدبتسا و اءحالصا

- راجفن ال وأ ،قيرحل رطخ وأ ،ءبال ال بنجنتل :ءئي ببل ررضت بنجنتلو ،ءئي ابهكلا ةمدصلا وأ ليقت قصل طيرشب ةيراطبلا تايامن يطغ
- قتلع تانوكم نم نوكم يا ةلازا لواحت ال .فبال تا! وأ ةيراطبلا
- ةيراطبلا قتلع حتف لواحت ال

## ⚠ ريذحت

ءراوشلا نوكت ،ببرست شوذح ةلاح يف ل اخذ! لواحت ال .قماسو ةيلكيات ةئي ابهكلا ءعلببت الو ،ءلجلا وأ نينيعي ال يف لولحما

- ةيلزمنما ةمامل ال يف تايراطبلا هذه عضت ال ءدات عملا
- ةيراطبلا لعشت ال
- هيف حبصت ناكم يف ةيراطبلا عضت ال يف لخدمت وأ انفد متي تافلخم يا نم ءزج قتلصل ال ءيلحما تايافنلا
- وأ ريودت ءداع! زكرم ال! تايراطبلا لقنا دمتم تافلخم

## ةيراطبلا نحاش

## تافص اواملا

EBSRC82 :تلوف 82 نحاش

ري بام 2.5 ،زتره 50/60 ~ -تلوف 230 :لخدم

ري بام 4 = تلوف 82 :جرخم

## نحشلا ءيلمع

ءنوحشم يهو ةيراطبلا نحش متي ال :ءظوحلم اهم ادختسا لبق ةيراطبلا نحشب يصوي .لم لكاب ال .لي عشت تقو ال لوصول ءيناكم! نامضرا

ةيراطبلا نم أيئي نم ال صلختلا



يف دجوت ءيلاتلا لكاتلل قتبسمل او قماس داوملا :هذه زاهجلا ةيراطب قتلع يف ةمدختسمل تايراطبلا قماس داوم ،نوي أو مويثيل

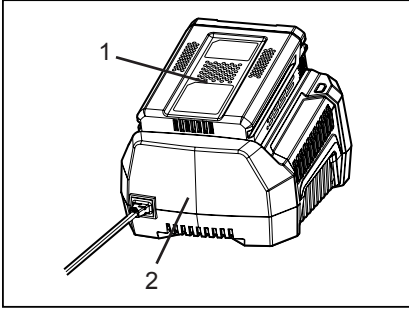
## ⚠ ريذحت

ءقيرطب قماس داوملا ءفك نم صلختلا يغبن ي نم صلختلا لبق .ءئي ببل شولت بنجنتل ءدخم ي جري ءيلابلا وأ ءررضت مل تايراطبلا بلح ءيلحما تافلحما نم صلختلا ءلكوب لاصتال ءيلحما ءئي ببل ءيامحلا ءلكو وأ ،كعب قصلخا ي جري .ءدحما تاميل عتلا و تامول عملا نم ديزمل ءداع ال دمتم عملا يلحما زكرم ال! تايراطبلا لقن نم صلختلا تافلحما نم صلختلا و او ريودتلا نوي أو مويثيل

## العربية (تعليقات الأصلي)

نكميمو تراكاذلا هذه نويأ مويثييللا ةيراطبلا روطت بتقو يا يف امنحش

1. ددرتم رايت ءابرهك سبقم يف نحاشلا عضو.
2. (2) نحاشلا يف (1) ةيراطبلا تبعل لخدأ.



ديللا عوض ءيضي فوسو .يصيخشنت نحاشلا اذه قلاح نايبلا ددحم بيترتب نحاشلا يف LED ييلتالا وحنلا يلع ءاوضال الكلت .ةيلاحلا ةيراطبلا

فصولا	LED ديللا قلاح
نحاشلا يراج	ضم او رضخأ
لم الكلاب نوحشم	تبات رضخأ
قندشب نخاس	تبات رمحأ
نحاشلا ءانثأ اطخ	ضم او رمحأ

بيي ع دوجوب بذاك هيبت

ضموي فوسو ،نحاشلا يف ةيراطبلا لاخذلا دن ع ةيراطبلا قلازاب مق ،قلاحلا يلع لادلا ديللا عوض قلاح يف .اللاخذ دعأ مٹ قدهاو ققيقد قندمل نحاشلا نم قبلع نذا نوكت يداع عضو قلا ديللا عوض قراش! عوض رارمتسا قلاح يف نكلو .قديج تايراطبلا ةيراطبلا قبلع قلازا نذا بجي ضيمولا يف ديللا مٹ قدهاو ققيقد رظنتنا .سبقملا نم نحاشلا عزنو قبلع لاخذلا دعأو ىرخأ قرم سبقملا اب نحاشلا لصوا قلا ديللا عوض قراش! قلاح يف .ىرخأ قرم ةيراطبلا نكلو .قديج تايراطبلا قبلع نذا نوكت يداع عضو نوكت ضيمولا يف ديللا عوض رارمتسا قلاح يف .اللابتسا بجيو قبيويعم ةيراطبلا قبلع نذا

ةيراطبلا بحسا ،رمحال رشوملا ضموي امدن ع :قظالم نيتهاس نوضغ يف ىرخأ قرم اءعضو نحاشلا نم

نأ ينعي اذهف ،نحاشلا يرجي منأ رشوملا رمظا اذا بحس يجرى ،نيتهاس رورم دعب .قميلس ةيراطبلا صاخلا ددرتملا رايتلا سباق بحسو ةيراطبلا سباق لاخذلا مٹ ،قدهاو ققيقد قندمل اضيا نحاشلا اب رشوملا رمظا اذا .ىرخأ قرم ةيراطبلا او ددرتملا رايتلا ،قميلس ةيراطبلا نأ ينعي اذهف ،نحاشلا يرجي منأ ةيراطبلا ريغي نذا بجي قلاذك نكي مل ناو

### نحاشلا نم ققحتلا:

- ححص لكشب نحاشت ال ةيراطبلا قبلع تنك اذا:
- ءاداب سبقملا جرحم يف رايتلا نأ نم ققحت فوقوتم ريغ جرحملا نأ نم دكأتو .ىرخأ
  - نع امري صرقت مدي مل نحاشلا تالصر نأ نم دكأت .قبيرغ داوم وا تافلخم قيرط
  - قفلتخم طيحملا ءاولم قزراح قجرد تنك اذا نحاشلا لقنا ،ةيداعلا قفرغلا قزراح قجرد نع ام متزراح قجرد حوارتت ام ناكم يلا ةيراطبلا او يلا جاتحي جتمل اذه .فيوئم قجرد 40 و 6 نيبي عجمجت

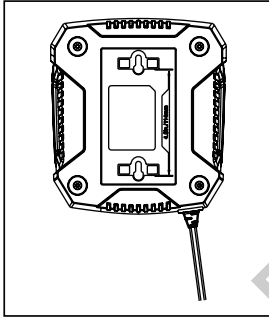
### ريذحت

وأ ءىفاد فيمو نحاشلا يف ةيراطبلا لاخذلا مٹ اذا يف ديللا نحش رشوم عوض لمخي دق ،قنخاس شودح قلاح يف .رمحال نوللاب يضيو نحاشلا 30 قندمل نحاشلا جراح دربت ةيراطبلا كترتا ،لكذ ابيرقت ققيقد

## العربية (تعليقات الأصلي)

### نحاشل بيكرت

1. يلغ هقيلعت لالخن نحاشل اذ تيبيثت نكمي. (قفرم ريغ) #8 نيرامسم مادختساب طئاحلا.
2. يلغ اقلعم نوگي لنحاشلل بسانملا عقوملا دح. طئاحلا.
3. مدختسا فيبشخ حاولأ يف نحاشل تيبيثت دنع. (قفرم ريغ) بشخلل نيصصخم نيرامسم.
4. نيلصفنم مم 114.3 طسولا يف نيبيثت رفحاً عم يدومع لكشب نيذاحتتم مننم دكأتلأ عم.
5. ريغ فراجحلا نم رادج يف نحاشل تيبيثت دنع. (عجرم ريغ) فيرادجلا يسارملا مدختسا عطيملأ رادجلا يلغ نحاشلأ نيمنأتلأ ريماسملا و.



نحاشل او فيراطبلأ مدختست نل تنك اذا: **نظحالم** نحاشلأ نم فيراطبلأ لازلأ يجرى، قليوط قرتفل بدرتلمأ رايتلا سباق بحسو.

### قماه قمالس تاميلعت:

1. نحلل: رطخلأ عفاكفملا تاداشرلالأ مذهب ظفتحا. هذه عبتا فيئابرمك قمدص وأ قيرج بوشن رطخ فيانعب تاميلعتلا.
2. لبق قلود لك عقوم يف حاتملا دهجلا نم دكأت. نحاشلأ مادختسا.
3. رايتلا جرخم عم قفاوتي ال سباقلا فرط ناك اذا. صاخلا قفرملا سباقلا لوح مدختسا، فيئابرمكلا فيئابرمكلا رايتلا جرخملا فيحصلا فيئمئلأ.

### جتنملا اذه نم حيحصلا صلختلا:



فيغبني ال جتنملا اذه نأ علإ تامالعلأ هذه ريشت يف ىرخالآ فيلزنملا تايفنملا عم نم صلختلا لمبتم ررض يا عنمل. فيبوروالأ داحتالا ءاحنا عيمج عجيتم ناسنالا ءحصب وأ فيبالب قحلي بق ريودت دعأ، تايفنملا نم بقارملا ريغ صلختلا مادختسالا قداغ! زيزعتل قلويسم ققيرطب جتنملا، مدختسملا كزاهج قداغال. فيداملا دراوملل مادختسملا لاصتالا وأ عيمجتلاو قداغال قمظناً مادختسا يجرى شي. جتنملا نم تيريش ثيغ فيزجتلا رجائب أي فيي نمال ريودتلا قداغال هذه لقن منكمي.

### قنزتخملا تايراطبلأ او تايراطبلأ تايفن قلازا:



ميصت ءاضعالأ لودلا نمضت نأ فيغبني تايفن قلازا نكمي ثيحب قزهجالل ني عنصملا ال نكلو، قلويسب قنزتخملا تايراطبلأ او تايراطبلأ فيئانملا مدختسملا لبق نم قلويسب امتلازا نكمي قزهجالل ني عنصملا ميصت لودلا نمضت نأ فيغبني تايراطبلأ او تايراطبلأ تايفن قلازا نكمي ثيحب نيلموملا ني فينملا لبق نم قلويسب قنزتخملا قزهجالل قفريو. عنصملا قفشرلا نع نيلقنتملا قنزتخملا تايراطبلأ او تايراطبلأ اب جمدملا تايراطبلأ هذه قلازا فيفيكب فصاخلا تاميلعتلا مدختسملا لبق نم ءاوس نامب قنزتخملا تايراطبلأ او دنع. نيلقنتملا نيلموملا ني فينملا وأ فيئانملا تاميلعتلا اضيا غلبت نأ فيغبني، ءاضتقال تايراطبلأ وأ تايراطبلأ ءاونب فيئانملا مدختسملا زاهجالا يف عجمملا قنزتخملا.

## България (Превод от оригиналните инструкции)

### АТЕРИЯ

#### СПЕЦИФИКАЦИИ

##### EBSB2AH82

Батерия: 72V  $\approx$  2.0AH, 144Wh, 82V макс.  
 Напрежение за клетка: 3.6V ; Брой клетки: 20  
 Време на зареждане: 30 min. (използвайте зарядно устройство EBSRC82)

##### EBSB4AH82

Батерия: 72V  $\approx$  4.0AH, 288Wh, 82V макс.  
 Напрежение за клетка: 3.6V ; Брой клетки: 40  
 Време на зареждане: 60 min. (използвайте зарядно устройство EBSRC82)

За правилна употреба, поддръжка и съхранение на батерията, е особено важно да прочетете и да разберете инструкциите, поместени в настоящото ръководство.

За да избегнете тежки злополуки, рискове от пожар, експлозия и опасности, идващи от електрически удар и волтови дъги:

- НЕ пробвайте зарядното устройство с проводими материали.
- Ако корпусът на акумулаторната батерия е счупен или повреден, НЕ го включвайте в зарядното устройство. Заменете с нова акумулаторна батерия.
- НЕ зареждайте тези акумулаторни батерии с различен вид зарядно устройство.
- НЕ допускайте във вътрешността на зарядното устройство да прониква течност.
- НЕ използвайте зарядното устройство за цели, различни от посочените в настоящото ръководство.
- НЕ се опитвайте да създавате късо съединение между крайниците на акумулаторната батерия.

#### ▲ ПРЕДУПРЕЖДЕНИЕ

Ако течността от акумулаторната батерия влезе в контакт с очите, изплакнете ги незабавно с чиста вода в продължение на поне 15 минути. Незабавно потърсете лекар. Не зареждайте акумулаторната батерия под дъжда или във влажни среди. Не потопявайте уреда, акумулаторната батерия или зарядното устройство във вода или в други течности.

- Не оставяйте акумулаторната батерия или зарядното устройство да прегряват. Ако са горещи, оставете ги да се охладят. Зареждайте само при стайна температура.
- Не покривайте вентилационните решетки, намиращи се на горната страна на зарядното устройство. Не позиционирайте зарядното устройство върху мека повърхност като например покривка или възглавница. Поддържайте чисти вентилационните отвори на зарядното устройство.
- Избягвайте попадането в кухините на зарядното устройство на малки метални предмети или материали като стоманена вълна, алуминиево фолио или други частици.
- Преди да почистите зарядното устройство или когато в него няма акумулаторна батерия, трябва да го изключвате от мрежата.
- НЕ позиционирайте акумулаторната батерия под слънчева светлина или в гореща среда. Дръжте я винаги при нормална околна температура.
- НЕ се опитвайте да свързвате две зарядни устройства едновременно.
- Ако акумулаторната батерия не се зарежда за дълъг период от време, трябва да я съхранявате винаги на сянка, на проветриво и сухо място. Зареждайте батерията за 2 часа на

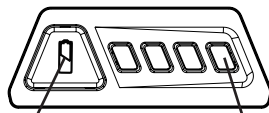
## България (Превод от оригиналните инструкции)

всеки 2 месеца.

- При прекомерна употреба или при екстремни температури, клетките на акумулаторната батерия могат проявят малки течове. Ако външният щемпел се счупи и течността влезе в контакт с кожата:
  - Измийте се незабавно с вода и сапун.
  - Неутрализирайте с лимонов сок, оцет или други леки киселини.
- Ако течността влезе в контакт с очите, приложете горепосочените инструкции и потърсете лекар.
- Преди употреба проверете дали изходното напрежение и тока на зарядното устройство на акумулаторната батерия са подходящи за зареждането акумулаторните батерии.
- В случай, че полярността на изхода не съответства на тази на зареждане, НЕ използвайте зарядното устройство.
- Да се използва само в закрити помещения.
- В никакъв случай НЕ отваряйте капака. Ако капакът е повреден, зарядното устройство вече НЕ може да се използва.
- НЕ зареждайте батерии, които не са презареждаеми.

### ПРОВЕРКА НА КАПАЦИТЕТА НА БАТЕРИЯТА

Натиснете бутон (BCI) Индикатор за капацитета на батерията. Светлините ще светнат в зависимост от нивото на капацитета на батерията. Вижте следната схема:



БУТОН ИНДИКАТОР ИЗМЕРВАНЕ  
ЗАРЯДНО  
УСТРОЙСТВО (ICB)

Светлини	Капацитет
4 зелени светлини	Акумулаторът е заредена повече от 80%
3 зелени светлини	Акумулаторът е заредена между 80% и 60%.
2 зелени светлини	Акумулаторът е заредена между 60% и 40%.
1 зелени светлини	Акумулаторът е заредена между 40% и 25%.
Светлините изгасват	Акумулаторът е заредена по-малко от 25%. Акумулаторът трябва да се зареди отново веднага

### ЗАБЕЛЕЖКИ ЗА БЕЗОПАСНОСТ И ПРЕДПАЗНИ МЕРКИ

1. НЕ разглобявайте батерията.
2. Да се съхранява далеч от деца.
3. НЕ излагайте батерията на сладка или солена вода, поставете на място, което е прохладно и сухо.
4. НЕ позиционирайте батерията на прекалено горещи места - до огън, радиатор и др.
5. НЕ разменяйте отрицателния и положителния накрайник на батерията.
6. НЕ свързвайте положителния и отрицателния накрайник на батерията към метални предмети.
7. НЕ удряйте, не блъскайте и не стъпвайте с крака върху акумулаторната батерия.
8. НЕ извършвайте операции по заваряване

## България (Превод от оригиналните инструкции)

върху батерията, нито я дупчете с пирони или други остри предмети.

9. В случай, че от батерията изтичат течности, които влизат в контакт с очите, не ги разтърквайте и ги изплакнете обилно с вода. Преустановете използването на батерията, ако същата издава необичайни миризми, прегрява или променя цвета/формата и има ненормален външен вид.

### ▲ ПРЕДУПРЕЖДЕНИЕ

За да избегнете рискове от пожар, токов удар или електрически разряд:

- Не прекарвайте влажни тъкани или почистващи препарати по акумулаторната батерия или по зарядното устройство.
- Винаги премахвайте акумулаторната батерия преди да почистите, инспектирате или преди извършване на операциите по поддръжка на инструмента.

### ▲ ПРЕДУПРЕЖДЕНИЕ

Този уред не е предназначен за използване от лица (включително деца) с намалени физически, сетивни или умствени способности или от лица, които нямат необходимите опит и познания, освен ако същите не са под надзор или не бъдат инструктирани относно безопасното използване уреда. Децата трябва да са под надзор, за да не си играят с уреда.

- С уреда не трябва да си играят деца.
- Почистването и поддръжката от потребителя не трябва да се извършват от деца без надзор.
- Ако захранващият кабел е повреден, той трябва да бъде подменен от производителя, от негов сервизен представител или от друго подобно квалифицирано лице, за да се избегнат опасностите.

## ЕКΟΣЪВМЕСТИМО ИЗХВЪРЛЯНЕ НА БАТЕРИЯТА



### ПОЧИСТВАНЕ

Почиствайте външната част на зарядното устройство с сухо и меко парче плат. Не изплаквайте с евентуални помпи, нито почиствайте с вода.

В използваната с този инструмент акумулаторна батерия се намират следните токсични и корозивни материали: Литиевите йони са токсичен материал.

	Клас II Двойна изолация
	Само за вътрешна употреба.
	Преди зареждане, прочетете инструкциите
	Предпазител

### ▲ ПРЕДУПРЕЖДЕНИЕ

Всички токсични материали ще трябва да се изхвърлят по подходящ начин, за да се предотврати замърсяване на околната среда. Преди да изхвърлите акумулаторни литиево-йонни батерии, които са повредени или счупени, свържете се с местната агенция за управление на отпадъците или с местната агенция за защита на околната среда за евентуални сведения и конкретни инструкции. Занесете батериите в център за рециклиране и/или изхвърляне на отпадъци, сертифициран за управление на литиево-йонни материали.

## България (Превод от оригиналните инструкции)

### ▲ ПРЕДУПРЕЖДЕНИЕ

Ако акумулаторната батерия се напука или се счупи, с или без изтичане на течности, не я зареждайте и не я използвайте. Изхвърлете я и я заменете с нова акумулаторна батерия. **НЕ СЕ ОПИТВАЙТЕ ДА Я ПОПРАВЯТЕ!**

За да избегнете злополуки и рискове от пожар, експлозии или електрически удари и, за да избегнете нанасянето на щети на околната среда:

- Покрийте краищата на батерията с устойчиво тиксо.
- **НЕ** се опитвайте да премахвате или да унищожавате която и да е част от акумулаторната батерия.
- **НЕ** се опитвайте да отваряте акумулаторната батерия.

### ▲ ПРЕДУПРЕЖДЕНИЕ

- Електролитите от евентуални течове от акумулаторните батерии са корозивни и токсични. Внимавайте течността да **НЕ** влиза в контакт с очите, кожата и преди всичко да не я поглъщате.
- **НЕ** изхвърляйте батериите в битовите отпадъци.
- **НЕ** изгаряйте.
- **НЕ** позиционирайте акумулаторните батерии на места, където могат да станат част от местно сметище или от твърди битови отпадъци.
- Занесете ги в оторизиран център за рециклиране.

## ЗАРЯДНО УСТРОЙСТВО НА БАТЕРИЯТА

### СПЕЦИФИКАЦИИ

Зарядно устройство от 82V: EBSRC82

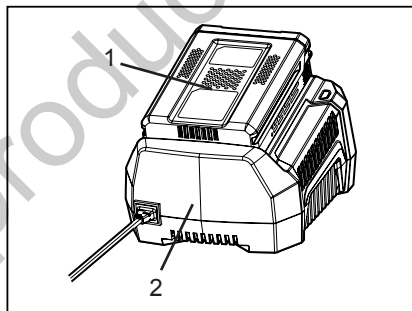
Вход: 230V ~ 50/60Hz, 2.5A

Изход: 82V = 4A

### ПРОЦЕС НА ЗАРЕЖДАНЕ

**ЗАБЕЛЕЖКА:** Батерията се изпраща частично заредена. Препоръчва се да я заредите преди употреба, за да си осигурите достигане на максималното работно време. Литиево-йонните батерии нямат памет и могат да се презареждат във всеки момент.

1. Свържете зарядното устройство към променливотоков (AC) контакт.
2. Поставете акумулаторната батерия (1) в зарядното устройство (2).



Това е зарядно устройство с диагностика. Светодиодните индикатори на зарядното устройство ще светят в конкретен ред, за да обозначат актуалното състояние на батерията. Зареждане на батерията в зависимост от светлинните индикатори:

СЪСТОЯНИЕ НА СВЕТОДИОДА	ОПИСАНИЕ
Зелен мигащ	В състояние на зареждане
Зелен, постоянно светещ	Напълно зареден
Червен, постоянно светещ	Твърде висока температура
Червен, мигащ	Грешка при зареждането

## България (Превод от оригиналните инструкции)

Забележка за пренебрежителни дефекти: Когато батерията се постави в зарядното устройство светодиодът за състоянието премигва, отстранете батерията от зарядното устройство за 1 минута, след това я поставете отново. Ако състоянието не светодиода указва „нормално“, това означава, че акумулаторната батерия е изправна. Ако светодиодът премигва отново, отстранете акумулаторната батерия и изключете зарядното устройство. Изчакайте 1 минута, свържете отново зарядното устройство и поставете акумулаторната батерия. Ако състоянието не светодиода указва „нормално“, това означава, че акумулаторната батерия е изправна. Ако светодиодът премигва още, това означава, че акумулаторната батерия е дефектна и трябва да се замени.

**ЗАБЕЛЕЖКА:** Когато червеният индикатор премигва, извадете батерията от зарядното устройство и я поставете отново до 2 часа. Ако индикаторът показва зареждане, батерията е в оптимално състояние. След 2 часа извадете батерията и изключете зарядното устройство от променливотоковия (AC) контакт за 1 минута, след това го включете отново в променливотоковия (AC) контакт и поставете батерията. Ако индикаторът показва зареждане, батерията е в оптимално състояние. В противен случай батерията трябва да се замени.

### ПРОВЕРКА НА ЗАРЯДНОТО УСТРОЙСТВО

Ако акумулаторната батерия не се зарежда правилно:

- Проверете изходния ток с друг инструмент. Уверете се, че електрическият контакт не е изключен.
- Проверете дали контактите на зарядното устройство не са закъсени поради натрупвания или други

материали.

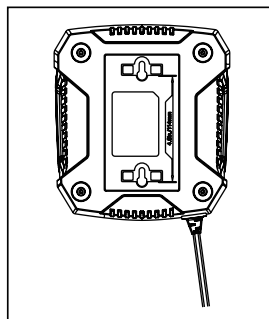
- Ако температурата на околната среда не е нормална, преместете зарядното устройство и акумулаторната батерия в среда с температура между 6 °C и 40 °C.

### ▲ ПРЕДУПРЕЖДЕНИЕ

Ако батерията се постави в зарядното устройство, когато е топла или прегрята, светодиодният индикатор за ЗАРЯД на зарядното устройство ще светне в ЧЕРВЕН. В случай, че настъпи такава ситуация, оставете батерията да се охлади извън зарядното устройство за около 30 минути.

### МОНТАЖ НА ЗАРЯДНОТО УСТРОЙСТВО

1. Това зарядно устройство може да се монтира на стена, като се използват два винта #8 (не са включени в доставката)
2. Определете мястото за стенен монтаж на зарядното устройство.
3. При монтаж върху дървена основа, използвайте 2 винта, които са подходящи за целта (не са включени в доставката).
4. Направете два отвора в центъра, на разстояние 114,3 mm, проверявайки дали са подравнени вертикално.
5. При монтиране върху гипсокартон използвайте анкерни болтове (не са включени в доставката) и винтове за стена, за да закрепите зарядното устройство към стената.





## България (Превод от оригиналните инструкции)

**ЗАБЕЛЕЖКА:** Ако акумулаторната батерия и зарядното устройство не се използват за дълъг период от време, извадете батерията от зарядното устройство и го изключете от променливотоковия контакт.

### ВАЖНИ ИНСТРУКЦИИ ЗА БЕЗОПАСНОСТ

#### 1. ЗАПАЗЕТЕ ТЕЗИ

**ИНСТРУКЦИИ ЗА БЕЗОПАСНОСТ:** ЗА ДА НАМАЛИТЕ РИСКА ОТ ПОЖАР ИЛИ ТОКОВИ УДАРИ Е ВАЖНО ДА СЛЕДВАТЕ ВНИМАТЕЛНО ТЕЗИ ИНСТРУКЦИИ.

2. Преди да използвате зарядното устройство, проверете наличното напрежение във всяка страна.

3. Ако острият край на щепсела не влиза в контакта, използвайте правилен адаптер за съответния електрически контакт.

### ПРАВИЛНО ИЗХВЪРЛЯНЕ НА ПРОДУКТА:



Тази маркировка означава, че в рамките на целия ЕС този продукт не може да се изхвърля заедно с други битови отпадъци. За да се предотвратят отрицателните въздействия върху околната среда или човешкото здраве, породени от неконтролираното изхвърляне на отпадъци, трябва да предадете продукта за рециклиране, с което ще подпомогнете устойчивия модел на повторно използване на материалите. За да предадете използваното устройство за рециклиране, използвайте системите за връщане и събиране или се свържете с търговския

представител, от когото сте закупили продукта. Те ще вземат продукта за предпазваща околната среда преработка.

### Демонтиране на негодните за употреба батерии и акумулатори



Държавите членки на ЕС трябва да гарантират, че производителите проектират своите уреди по начин, който позволява лесното и безпроблемно демонтиране на негодните за употреба батерии и акумулатори. Когато същите не следва да бъдат демонтирани от крайния потребител, държавите членки на ЕС трябва да гарантират, че производителите проектират своите уреди по начин, който позволява лесното и безпроблемно демонтиране на негодните за употреба батерии и акумулатори от страна на квалифицирани техници, които не са обвързани със съответния производител. Към уредите, в които има вградени такива батерии и акумулатори, трябва да бъдат предоставяни инструкции за това, как тези батерии и акумулатори следва да бъдат безопасно демонтирани от крайния потребител или от независими квалифицирани техници. Когато е необходимо, инструкциите трябва да съдържат също и информацията относно конкретния тип на батерията или акумулатора, вградени в съответния уред на крайния потребител.

## Čeština (Překlad z originálních pokynů)

### AKUMULATOR

#### SPECYFIKACJE

EBSB2AH82

Baterie: 72V  $\approx$  2.0AH, 144Wh, Max. 82V

Napětí na článek: 3.6V ; Počet článků: 20

Doba nabíjení: 30 min. (použijte EBSRC82 nabíječku)

EBSB4AH82

Baterie: 72V  $\approx$  4.0AH, 288Wh, Max. 82V

Napětí na článek: 3.6V ; Počet článků: 40

Doba nabíjení: 60 min. (použijte EBSRC82 nabíječku)

K řádné údržbě, použití a skladování baterie je zvláště důležité přečtení a pochopení pokynů poskytnutých návodem.

Pro snížení rizika požáru, exploze, elektrického úrazu nebo smrti:

- Nabíječkou **NETESTUJTE** vodivé materiály.
- Pokud je baterie prasklá či poškozena, **NEVKLÁDEJTE** ji do nabíječky. Vyměňte za novou baterii.
- Tyto baterie **NENABÍJEJTE** jiným typem nabíječky.
- **NEDOVOLTE** vnikání vody do nabíječky.
- **NEPOUŽÍVEJTE** nabíječku pro jiné než v tomto návodu určené použití.
- **NEZKRATUJTE** svorky baterie.

#### ⚠ V A R O V Á N Í

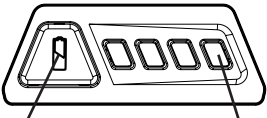
Budou-li vaše oči zasaženy elektrolytem, vyplachujte je ihned čistou vodou alespoň 15 minut. Okamžitě přivolejte lékařskou pomoc. Nenabíjejte baterii v dešti nebo ve vlhkých podmínkách. Nepotápějte přístroj, baterii nebo nabíječku do vody nebo jiných kapalin.

- Nenechte baterii nebo nabíječku přehřát. Pokud se zahřeje, nechte ji zchladit. Dobíjejte při pokojové teplotě.
- Nezakrývejte ventilační otvory na horní straně nabíječky. Neumísťujte nabíječku na měkký povrch, např. pokrývku, polštář. Ventilační otvory nabíječky udržujte volné.
- Nedovolte vnikat malým kovovým předmětům nebo materiálu, například dráty, hliníková fólie nebo ostatním předmětům do prostoru nabíječky.
- Vždy odpojte nabíječku ze zásuvky, pokud v ní není baterie a před čištěním.
- Neumísťujte baterii na slunci nebo v horkém prostředí. Skladujte při pokojové teplotě.
- Nikdy vzájemně nepropojujte dvě nabíječky.
- Skladujte v tmavých, chladných a suchých podmínkách, pokud se baterie nenabíjela delší dobu; baterii nabíjejte 2 hodiny každé 2 měsíce.
- Články baterie mohou téci při extrémním používání a teplotních podmínkách. Jeli vnější těsnění poškozeno a kapalina unikne na pokožku:
  - Okamžitě omyjte mýdlem a vodou.
  - Neutralizujte citrónovou šťávou, octem nebo slabou kyselinou.
- Pokud elektrolyt zasáhne zrak, postupuje dle instrukcí a vyhledejte ihned pomoc.
- Před použitím zkontrolujte, zda výstupní napětí a proud nabíječky je vhodný pro nabíjení baterie.
- Nepoužívejte nabíječku za podmínek, kdy se polarita výstupu neshoduje s polaritou nabíjení.
- Jen pro vnitřní použití.
- Kryt za žádných okolností neotvírejte. Je-li kryt poškozen, nelze nabíječku dále používat.
- Nenabíjejte nedobíjitelné baterie.

## Čeština (Překlad z originálních pokynů)

### KONTROLA KAPACITY BATERIE

Stiskněte tlačítko indikátoru kapacity akumulátoru (BCI). Světla se rozsvítí dle stavu nabití baterie. Viz tabulku níže:



TLAČÍTKO  
INDIKACE KAPACITY  
BATERIE (BCI)

MÍRA BATERIE

Světla	Kapacita
4 zelené žárovky	Baterie je nabitá na více než 80 % své kapacity.
3 zelené žárovky	Baterie je nabitá na 80 % až 60 % své kapacity.
2 zelené žárovky	Baterie je nabitá na 60 % až 40 % své kapacity.
1 zelená žárovka	Baterie je nabitá na 40 % až 25 % své kapacity.
Žárovky nesvíí	Baterie nabitá méně jak na 25 % a vyžaduje okamžité nabití.

### BEZPEČNOSTNÍ POZNÁMKY A OPATŘENÍ

1. Nerozebírejte baterii.
2. Uchovávejte mimo dosah dětí.
3. Nevystavujte baterii vodě nebo slané vodě, baterie se musí skladovat na suchém chladném místě.
4. Neuchovávejte baterie v místech s vysokou teplotou, například blízko ohně, radiátoru atd.
5. Nezaměňujte kladný vývod baterie za záporný.
6. Nepropojte vzájemně kladný a záporný vývod kovovými předměty.
7. Nemačkejte, nebouchejte nebo nešlapte na

baterii.

8. Nepájejte přímo na baterii nebo neprobodávejte baterii hřebíky či jinými ostrými předměty.
9. Pokud začne baterie téci a elektrolyt vnikne do očí, neprotírejte si zrak. Dobře vypláchněte vodou. Ihned zastavte používání baterie, pokud při používání baterie vzniká neobvyklý zápach, stává se horká, mění barvu, mění tvar nebo se jakkoliv neobvykle změní.




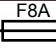
### VAROVÁNÍ

Pro snížení rizika požáru, elektrického úrazu nebo smrti:

- Nepoužívejte na baterii či nabíječe vlhké hadříky, čisticí roztoky nebo rozpouštědla.
- Vždy před prováděním jakékoliv údržby, čištěním nebo prohlídkou nástroje vytáhněte akumulátor.

### ČIŠTĚNÍ

Vnější povrch nabíječky utírejte jemnou suchou utěrkou. Nestříkejte vodu či neumývejte vodou.

	Třída II Dvojitá izolace
	Pouze pro vnitřní používání
	Před nabíjením si prostudujte návod k obsluze.
	Pojistka

## Čeština (Překlad z originálních pokynů)

### ▲ V A R O V Á N Í

Tento spotřebič nesmí být používán osobami (včetně dětí) s omezenými fyzickými, smyslovými nebo duševními schopnostmi nebo s nedostatkem zkušeností a znalostí, jimž jim nebyl zajištěn dohled nebo instrukce. Je nutno dohlížet na děti, aby si se spotřebičem nehrály.

- Děti si se spotřebičem nesmějí hrát.
- Čištění a uživatelskou údržbu nesmí provádět děti bez dozoru.
- Je-li napájecí kabel poškozen, musí být v rámci prevence rizika vyměněn výrobcem, jeho servisním technikem nebo podobně kvalifikovanými osobami.

### ▲ V A R O V Á N Í

Pokud je baterie prasklá či poškozena, s nebo bez úniku elektrolytu, nekládejte ji do nabíječky. Zlikvidujte ji a vyměňte za novou baterii. **NEPOKOUŠEJTE SE BATERIE OPRAVOVAT!**

Pro zabránění rizika požáru, exploze, elektrického úrazu nebo poškození životního prostředí:

- Zakrývejte kontakty baterie zesílenou lepicí páskou.
- **NEPOKOUŠEJTE** se baterii zničit nebo demontovat nebo sundávat jakékoliv její komponenty.
- Baterie se **NEPOKOUŠEJTE** otvírat.

### LIKVIDACE ŠETRNÁ K ŽIVOTNÍMU PROSTŘEDÍ



Následující toxické a korozivní materiály byly použity v bateriích tohoto nástroje:

Li-ionty, toxický materiál.

### ▲ V A R O V Á N Í

Všechny toxické materiály je nutno zlikvidovat určitým způsobem pro zabránění kontaminace. Před likvidací poškozených nebo použitých baterií kontaktujte místní sběrný dvůr či agenturu pro ochranu životního prostředí pro informace o správné likvidaci a pokyny. Odevzdejte baterie v místním recyklačním a/nebo sběrném středisku certifikovaném pro likvidaci Liiontových baterií.

### ▲ V A R O V Á N Í

■ Dojde-li k vytečení baterie, vytékající elektrolyt je korozivní a toxický. **ZABRAŇTE VNIKNUTÍ** roztoku do očí nebo na pokožku a **NEPOLYKEJTE** jej.

- Použité baterie **NEVYHAZUJTE** do domovního odpadu.
- **NEVHAZUJTE** je do ohně.
- **NEODKLÁDEJTE** je tam, kde by se mohly stát součástí skládkování odpadu nebo obecního odpadu.
- Odevzdejte je do certifikovaného centra pro recyklaci nebo likvidaci.

## NABÍJEČKA BATERIÍ

### SPECYFIKACJE

Nabíječka 82V: EBSRC82

Vstup: 230V ~ 50/60Hz, 2.5A

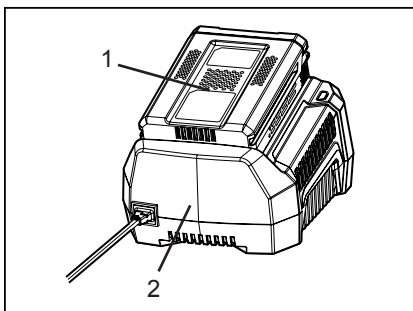
Výstup: 82V = 4A

## Čeština (Překlad z originálních pokynů)

### POSTUP NABÍJENÍ

**POZNÁMKA:** Baterie se nedodává plně nabita. Před použitím se doporučuje plně nabít pro zajištění dosažení maximální životnosti. Tato lithium-iontová baterie nemá paměťový efekt a lze ji kdykoliv nabíjet.

1. Zapojte nabíječku do síťové (AC) zásuvky.
2. Umístěte baterii (1) do nabíječky (2).



Toto je diagnostická nabíječka. LED žárovky nabíječky svítí v určitém pořadí pro signalizaci aktuálního stavu baterie. Ty jsou následující:

STAVOVÁ LED	POPIS
Bliká zelená	Nabíjení
Svítí zelená	Plně nabitó
Svítí červená	Nadměrná teplota
Bliká červená	Chyba při nabíjení

Poznámka k falešné závadě:

Pokud se baterie vloží do nabíječky a stavová LED bliká, vyndejte baterii z nabíječky na 1 minutu, pak znovu vložte. Pokud LED signalizuje normálně, pak je baterie v pořádku. Pokud stavová LED stále bliká, baterii vyndejte a odpojte nabíječku. Počkejte 1 minutu a nabíječku znovu připojte a znovu vložte baterii. Pokud LED signalizuje normálně, pak je baterie v pořádku. Pokud stavová LED stále bliká, je baterie vadná a je nutné ji vyměnit.

**POZNÁMKA:** Pokud červený indikátor bliká, vytáhněte baterii z nabíječky a znovu vložte po 2 hodinách. Pokud indikátor signalizuje nabíjení, pak je baterie v pořádku. Po 2 hodinách prosím baterii vytáhněte, a také vytáhněte zástrčku nabíječky ze síťové zásuvky (AC) na 1 minutu, a pak opět zasuňte zástrčku nabíječky do síťové zásuvky (AC) a vložte baterii. Pokud indikátor signalizuje nabíjení, pak je baterie v pořádku. Není-li tomu tak, je nutno baterii vyměnit.

### KONTROLA NABÍJENÍ

Pokud se baterie správně nenabíjí:

- Kontrolujte funkčnost zásuvky s jiným přístrojem. Ujistěte se, že zásuvka není vypnuta.
- Zkontrolujte, že kontakty nabíječky nebyly zkratovány nečistotami či cizím materiálem.
- Pokud okolní teplota vzduchu není na pokojové teplotě, přemístěte nabíječku a baterii do místa, kde teplota dosahuje 6 °C až 40 °C.

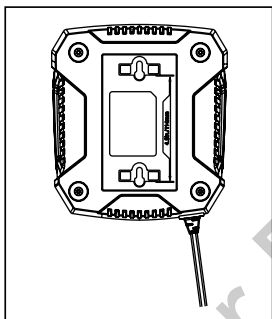
### ⚠ VAROVÁNÍ

Pokud se baterie vloží do nabíječky, když je teplá nebo horká, může se na nabíječce ukazatel BATERIE SE NABÍJÍ zapnout a svítit ČERVENÁ. Dojde-li k tomu, nechejte baterii zchladit mimo nabíječku po přibližně 30 minut.

## Čeština (Překlad z originálních pokynů)

### MONTÁŽ NABÍJEČKY

1. Tuto nabíječku lze zavěsit na zeď pomocí dvou #8 šroubů (nepřibaleny).
2. Vyberte místo pro umístění nabíječky na zeď.
3. Pokud upevňujete do dřevěného sloupu, použijte 2 vruty do dřeva (nepřibaleno).
4. Vyvrtejte uprostřed dva otvory, vzdálené od sebe 114,3 mm, zajistěte, aby byly umístěny svisle.
5. Pokud upevňujete do sádrokartonu (nepřibaleno), použijte zední kleštiny a šrouby pro zajištění nabíječky na stěně.



**POZNÁMKA:** Pokud baterii ani nabíječku nebudete používat delší dobu, vyjměte baterii z nabíječky a vytáhněte zástrčku nabíječky ze zásuvky.

### DŮLEŽITÉ BEZPEČNOSTNÍ POKYNY

1. USCHOVEJTE SI TYTO POKYNY - NEBEZPEČÍ KE SNÍŽENÍ RIZIKA POŽÁRU NEBO ÚRAZU ELEKTRICKÝM PROUDEM DODRŽUJTE PEČLIVĚ TENTO NÁVOD.
2. Před použitím nabíječky ověřte dostupnost a správnost napětí v místě použití.
3. Pokud tvar zástrčky neodpovídá tvaru zásuvky, použijte adaptér certifikovaný pro síťovou zásuvku.

### ŘÁDNÁ LIKVIDACE PRODUKTU:



Tato značka znamená, že se tento výrobek nesmí v zemích EU likvidovat v běžném komunálním odpadu. Aby se zabránilo možnému znečištění životního prostředí nebo zranění člověka díky nekontrolované likvidaci, recyklujte je zodpovědně k podpoře opětovného využití hmotných zdrojů. Pro vrácení vašeho použitého zařízení, prosím použijte vratné a sběrné systémy nebo kontaktujte obchodníka, kde jste výrobek koupili. Mohou přijmout tento výrobek pro recyklaci, která je šetrná k životnímu prostředí.

### Vyjímání odpadních baterií a akumulátorů



Členské státy zajistí, aby výrobci navrhovali zařízení, z nichž je možné odpadní baterie a akumulátory snadno vyjmout. Nemohouli odpadní baterie a akumulátory snadno vyjmout koneční uživatelé, zajistí členské státy, aby výrobci navrhovali zařízení tak, aby je mohli snadno vyjmout kvalifikovaní profesionálové nezávislí na výrobci. K zařízením, v nichž jsou zabudovány baterie a akumulátory, se připojí návod, jak mohou tyto baterie a akumulátory bezpečně vyjmout buď koneční uživatelé, nebo nezávislí kvalifikovaní profesionálové. V případě potřeby návod informuje konečného uživatele o typu baterie nebo akumulátoru zabudovaného do zařízení.

**Dansk (Oversættelse fra original brugsanvisning)****BATTERI****SPECIFIKATIONER**

EBSB2AH82

Batteri: 72V  $\approx$  2.0AH, 144Wh, 82V MAX

Spænding per celle: 3.6V ; Antal celler: 20

Opladningstid: 30 min. (brug EBSRC82 Oplader)

EBSB4AH82

Batteri: 72V  $\approx$  4.0AH, 288Wh, 82V MAX

Spænding per celle: 3.6V ; Antal celler: 40

Opladningstid: 60 min. (brug EBSRC82 Oplader)

For korrekt brug, vedligeholdelse og opbevaring af dette batteri, er det yderst vigtigt at du læser og forstår instruktionerne i denne vejledning.

For at undgå alvorlig skade, risiko for brand, eksplosion og fare for elektrisk stød eller dødsfald forårsaget af elektricitet:

- Opladeren må IKKE sonderes med ledende materialer.
- Hvis batteripakken er revnet eller beskadiget, må den IKKE sættes i opladeren. Udskift den med en ny batteripakke.
- Oplad IKKE disse batteripakker med en anden type oplader.
- Lad IKKE væske trænge ind i opladeren.
- Brug IKKE opladeren til andre formål, end det der angives i denne vejledning.
- Forsøg IKKE at kortslutte nogen poler på batteripakken.

**▲ ADVARSEL**

Hvis du får batterivæske i øjnene, skal du skylle omgående med rent vand i mindst 15 minutter. Søg omgående lægehjælp. Oplad ikke batteripakker i regnvejrr eller under våde forhold. Sænk ikke værktøjet, batteripakken eller opladeren ned i vand eller andre væsker.

- Tillad ikke at batteripakken eller opladeren overopheder. Hvis de er varme skal du tillade dem at køle ned. Genoplad kun ved rumtemperatur.
- Tildæk ikke ventilationsåbninger i toppen af opladeren. Placer ikke opladeren på en blød overflade dvs. tæppe, pude osv. Hold ventilationsåbningerne på opladeren fri.
- Tillad ikke små metalstumper eller materiale som stål, træ, aluminiumsfolie eller andre fremmedlegemer, at falde ind i opladeren.
- Afbryd opladeren før rengøring og når der ikke findes en batteripakke i opladeren.
- Placer batteripakken i solen eller i et varmt miljø. Opbevar ved normal rumtemperatur.
- Forsøg ikke at forbinde to opladere.
- Opbevar under skyggefulde, kølige og tørre forhold, hvis batteriet ikke oplades over en længere periode; oplad batteriet i 2 timer hver 2. måned.
- Batteripakkens celler kan udvikle små lækager under ekstreme brugs- eller temperaturforhold. Hvis den udvendige forsegling er ødelagt og din hud kommer i kontakt med væsken:
  - Brug sæbevand til at vaske området omgående.
  - Neutralisér med citronjuice, eddike eller andre milde syrer.
- Hvis du får væsken i øjnene, skal du følge vejledningerne herover og søge lægehjælp.
- Før brug skal du kontrollere om

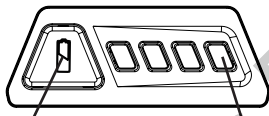
## Dansk (Oversættelse fra original brugsanvisning)

udgangsspændingen og batteriopladerens strøm, passer til den batteripakke der oplades.

- Anvend ikke opladeren under forhold hvor udgangspolariteten ikke er i overensstemmelse med indgangspolariteten.
- Kun til indendørs brug.
- Dækslet må ikke åbnes under nogen omstændigheder. Hvis dækslet er beskadiget, må opladeren ikke længere anvendes.
- Genoplad ikke ikke-GENOPLADELIGE batterier.

### KONTROLLERE BATTERIKAPACITET

Tryk på batterikapacitet indikator (BCI) knappen. Lamperne tændes i overensstemmelse med batteriernes kapacitetsniveau. Se diagram herunder:



BATTERIKAPACITETS- BATTERIMÅLER  
INDIKATOR (BCI) KNAPE

Lamper	Kapacitet
4 Grønne lamper	Batterikapacitet er over 80%.
3 Grønne lamper	Batterikapacitet er mellem 80% og 60%.
2 Grønne lamper	Batterikapacitet er mellem 60% og 40%.
1 Grøn lampe	Batterikapacitet er mellem 40% og 25%.
Lamper slukker	Batteriet er under 25% kapacitet og kræver omgående opladning.

### SIKKERHEDSMEDDELELSER OG FORHOLDSREGLER

1. Batteriet må ikke adskilles.
2. Opbevar utilgængeligt for børn.
3. Udsæt ikke batteriet for vand eller saltvand, batteriet skal opbevares på et køligt og tørt sted og isættes i et køligt og tørt miljø.
4. Isæt ikke batteriet under høje temperaturforhold, som nær ved åben ild, varmeapparat, osv.
5. Byt ikke om på batteriets positive og negative pol.
6. Forbind ikke batteriets positive og negative pol til hinanden med enhver metalgenstand.
7. Du må ikke banke, slå eller træde på batteriet.
8. Der må ikke loddes direkte på batteriet, og batteriet må gennembøres med negle eller andre skarpe genstande.
9. I tilfælde af at batteriet lækker og væsker kommer i kontakt med øjnene, må du ikke gnide øjet. Skyl grundigt med vand. Stop omgående brug af batteriet, hvis batteriet under brug afgiver unormale lugte, bliver varmt, ændrer farve eller form, eller på anden måde ser unormalt ud.

#### ▲ ADVARSEL

For at undgå risiko for brand, elektrisk stød eller dødsfald forårsaget af elektricitet:




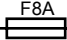
- Brug ikke en fugtig klud eller rensemiddel på batteriet eller batteriopladeren.
- Fjern altid batteripakken før rengøring, kontrol eller vedligeholdelse af værktøjet.

### RENGØRING

Aftør ydersiden af opladeren med en tør, blød klud. Den må ikke spules eller vaskes med vand.



## Dansk (Oversættelse fra original brugsanvisning)

	Klasse II Dobbelt isolering
	Kun til indendørs brug
	Læs vejledningerne før opladning
	Sikring

### ⚠ ADVARSEL

Dette apparat er ikke beregnet til at blive anvendt af personer, der har reducerede fysiske, psykiske, sensoriske eller mentale evner eller mangler tilstrækkelig erfaring og/eller viden, medmindre de er under opsyn og har modtaget anvisninger om korrekt anvendelse af apparatet. . Børn skal altid holdes under opsyn for at sikre, at de ikke leger med apparatet.

- Børn må ikke lege med dette apparat.
- Børn må ikke udføre rengørings - eller vedligeholdelsesarbejde uden opsyn.
- Hvis ledningen er beskadiget, skal den udskiftes af enten producenten, serviceteknikeren eller af en tilsvarende kvalificeret person for at undgå fare.

### MILJØRIGTIG BORTSKAFFELSE AF BATTERIER



De Følgende giftige og ætsende materialer findes i batterierne der bruges i denne batteripakke:

Li-ion, et giftigt materiale.

### ⚠ ADVARSEL

Alle giftige materialer skal bortskaffes ved hjælp af en specifik fremgangsmåde, for at forhindre forurening af miljøet. Før bortskaffelse af beskadigede eller slidte Lithium-ion batteripakker, kontakt dit lokale indsamlingspunkt eller din lokale miljøstyrelse for oplysninger og specifikke vejledninger. Bring batterierne til et lokalt genbrugscenter, der er godkendt til bortskaffelse af Li-ion.

### ⚠ ADVARSEL

Hvis batteripakken revner eller går i stykker, med eller uden lækage, må den ikke genoplades og anvendes. Bortskaf den og udskift den med en ny batteripakke. **FORSØG IKKE AT REPARERE DEN!** For at undgå skade og risiko for brand, eksplosion eller elektrisk stød og skade på miljøet:

- Tildæk batteriets poler med stærkt tape.
- Forsøg IKKE at fjerne eller ødelægge nogle afbatteripakkens komponenter.
- Forsøg IKKE at åbne batteripakken.

### ⚠ ADVARSEL

- Hvis der opstår en lækage, er de frigivne elektrolytter ætsende og giftige. **UNDGÅ AT få opløsningen i øjnene eller på huden, og slug den ikke.**
- Anbring IKKE disse batterier sammen med dit almindelige husholdningsaffald.
- MÅ IKKE brændes.
- MÅ IKKE placeres, hvor de bliver en del af en opfyldning på en losseplads eller af en kommunal fast affaldsstrøm.
- Bring dem til et certificeret genbrugs- eller bortskaffelsescenter.

## Dansk (Oversættelse fra original brugsanvisning)

### BATTERIOPLADER

#### SPECIFIKATIONER

82V oplader: EBSRC82

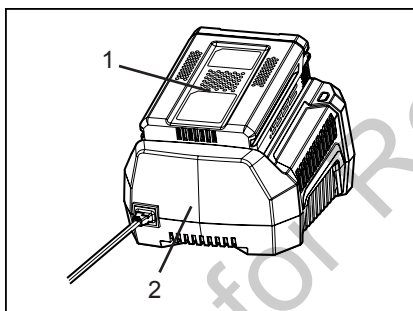
Input: 230V ~ 50/60Hz, 2.5A

Output: 82V = 4A

#### OPLADNINGSPROCEDURE

*NOTE: Batteriet leveres ikke fuldt opladet. Det anbefales at oplade batteriet helt, for at sikre at den maksimale køretid opnås. Dette lithium-ion batteri udvikler ikke en hukommelse og kan oplades når som helst.*

1. Tilslut opladeren til en vekselstrømskontakt.
2. Sæt batteripakken (1) i opladeren (2).



Dette er en diagnostisk oplader. Opladeren LED lamper tændes i en specifik rækkefølge for at kommunikere den aktuelle batteristatus. De er som følger:

LED STATUS	BESKRIVELSE
Blinker grønt	Oplader
Fast grøn	Fuldt opladet
Fast rød	Overophedning
Blinker rød	Opladningsfejl

Falsk defekt meddelelse:

Når batteriet er isat i opladeren, og status LED blinker, skal batteriet tages ud af opladeren i 1 minut, og derefter sættes i igen. Hvis status LED lyser normalt er batteripakken i orden. Hvis status LED stadig blinker, skal batteripakken udtages og opladeren afbrydes. Vent 1 minut og tilslut opladeren igen og isæt batteripakken. Hvis status LED lyser normalt er batteripakken i orden. Hvis status LED stadig blinker er batteripakken defekte og skal udskiftes.

*NOTE: Når den røde indikator blinker, skal batteriet tages ud af opladeren og isættes igen inden for 2 timer. Hvis indikatoren viser ladning, betyder det at batteriet fungerer. Efter 2 timer skal batteriet tages ud og også stikket til opladeren udtages i 1 minut, derefter sættes stikket og batteriet i igen. Hvis indikatoren viser ladning, betyder det at batteriet fungerer. Hvis ikke skal batteriet udskiftes.*

#### KONTROLLERE LADNINGEN

Hvis batteripakken ikke lader korrekt:

- Kontroller strømmen ved stikkontakten med et andet apparat. Sørg for at stikkontakten ikke er slået fra.
- Kontroller at opladerens kontakter ikke er kortslettet af rester eller fremmedlegemer.
- Hvis den omgivende lufttemperatur ikke er den normale rumtemperatur, kan du flytte opladeren og batteripakken til en placering, hvor temperaturen er mellem 6 °C og 40 °C.

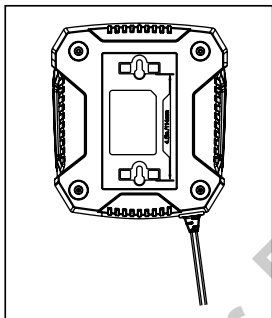
#### ▲ ADVARSEL

Hvis batteriet isættes i opladeren når det er varmt, kan indikatoren CHARGING LED på opladeren blive tændt og lyse RØD. Hvis dette sker skal batteriet tages ud af opladeren og køles ned i cirka 30 minutter.

## Dansk (Oversættelse fra original brugsanvisning)

### MONTERING AF OPLADER

1. Denne oplader kan monteres så den hænger på væggen, ved at bruge de to #8 skruer (medfølger ikke)
2. Find stedet på væggen hvor du ønsker at placere opladeren.
3. Hvis der fastgøres med træstifter, skal der bruges 2 træskruer (medfølger ikke).
4. Bor to huller i midten med 114,3 mm mellemrum, mens du kontrollerer, at de er stillet op på linje lodret.
5. Hvis der fastgøres til en tørmur skal der bruges forankringer (medfølger ikke) og skruer for at fastgøre opladeren på væggen.



**NOTE:** Hvis batteriet og opladeren ikke skal bruges over en længere periode, skal batteriet tages ud af opladeren og stikket trækkes ud af stikkontakten.

### VIGTIGE SIKKERHEDSVEJLEDNINGER

1. GEM DISSE VEJLEDNINGER - FARE: FOR AT REDUCERE RISIKO FOR BRAND ELLER ELEKTRISK STØD, SKAL DISSE VEJLEDNINGER FØLGES NØJE.
2. Bekræft den tilgængelige spænding for hvert land, før opladeren tages i brug.
3. Hvis stikbenene ikke passer ind i stikkontakten, skal der påsættes en stikadapter, som passer til stikkontakten.

### Korrekt bortskaffelse af dette produkt:



Mærket på dette produkt betyder, at produktet ikke må bortskaffes sammen med almindeligt husholdningsaffald efter endt levetid over hele EU. For at undgå skadelige miljø- eller sundhedspåvirkninger på grund af ukontrolleret affaldsbortskaffelse skal dette produkt bortskaffes særskilt fra andet affald og indleveres behørigt til fremme for bæredygtig materialegenvinding. Brugere bedes kontakte forhandleren, hvor de har købt produktet, eller den lokale myndighed for oplysning om, hvor og hvordan de kan indlevere produktet med henblik på miljøforsvarlig genvinding.

### Fjernelse af udtjente batterier og akkumulatører



Medlemsstaterne sikrer, at fabrikanter udformer apparater på en sådan måde, at udtjente batterier og akkumulatører uden videre kan fjernes. Hvis de ikke let kan fjernes af slutbrugeren, sikrer medlemsstaterne, at fabrikanterne udformer apparaterne på en sådan måde, at udtjente batterier og akkumulatører let kan fjernes af kvalificerede fagfolk, som er uafhængige af fabrikanten. Apparater, hvori batterier og akkumulatører er indbyggede, ledsages af en vejledning, der viser, hvordan disse batterier og akkumulatører kan fjernes på en sikker måde enten af slutbrugeren eller af uafhængige kvalificerede fagfolk. Om nødvendigt skal vejledningen også oplyse slutbrugeren om arterne af det batteri eller den akkumulator, der er indbygget i apparatet.

## Deutsch(Übersetzung der originalen Anleitungen)

### AKKU

#### SPEZIFIKATIONEN

EBSB2AH82

Batterie: 72V == 2.0AH, 144Wh, 82V Max.

Spannung pro Zelle: 3.6V ; Anzahl der Zellen: 20

Ladezeit: 30 min. (Benutzen Sie Ladegerät EBSRC82)

EBSB4AH82

Batterie: 72V == 4.0AH, 288Wh, 82V Max.

Spannung pro Zelle: 3.6V ; Anzahl der Zellen: 40

Ladezeit: 60 min. (Benutzen Sie Ladegerät EBSRC82)

Für die richtigen Benutzung und Lagerung dieses Akkus ist es von entscheidender Wichtigkeit, dass Sie die Anweisungen in dieser Bedienungsanleitung lesen und verstehen.

Zur Vermeidung schwerer Verletzungen, Feuer, Explosionen und Stromschlag:

- Stecken Sie KEINE elektrisch leitenden Materialien in das Ladegerät.
- Stecken Sie den Akkupack NICHT in das Ladegerät, wenn er gerissen oder beschädigt ist. Mit einem neuen Akkupack ersetzen.
- Laden Sie diese Akkus NICHT mit einem anderen Ladegerät.
- Lassen Sie KEINE Flüssigkeit in das Ladegerät eindringen.
- Benutzen Sie das Ladegerät NICHT für andere Aufgaben als die in dieser Bedienungsanleitung genannten.
- Versuchen Sie NICHT die Kontakte des Akkupacks kurz zu schließen.

#### ⚠ WARNUNG

Wenn Batterieflüssigkeit in Ihre Augen gerät, spülen Sie sofort mit sauberem Wasser für mindestens 15 Minuten. Suchen Sie sofort medizinische Hilfe auf. Laden Sie den Akkupack nicht im Regen oder in nasser Umgebung. Tauchen Sie das Werkzeug, den Akkupack oder das Ladegerät nicht in Wasser oder eine andere Flüssigkeit.

- Lassen Sie den Akkupack oder das Ladegerät nicht überhitzen. Wenn Sie warm sind, lassen Sie sie abkühlen. Nur bei Zimmertemperatur aufladen.
- Decken Sie die Ventilationsschlitze auf der Oberseite des Ladegerätes nicht ab. Stellen Sie das Ladegerät nicht auf einen weichen Untergrund, z.B. Decke, Kissen. Halten Sie die Ventilationsschlitze des Ladegerätes frei.
- Lassen Sie keine kleinen Metallteile oder Materialien wie Stahlwolle, Aluminiumfolie oder andere Fremdkörper in das Gehäuse des Ladegerätes gelangen.
- Ziehen Sie den Netzstecker des Ladegerätes, bevor Sie es reinigen, und wenn sich kein Akkupack in dem Ladegerät befindet.
- Setzen Sie den Akkupack nicht der Sonne oder warmer Umgebung aus. Bei normaler Zimmertemperatur halten.
- Versuchen Sie nicht zwei Ladegeräte zu verbinden.
- Schattig, kühl und trocken halten, wenn der Akku für lange Zeit nicht benutzt wird; laden Sie den Akku für 2 Stunden alle 2 Monate.
- Die Zellen des Akkupacks können bei extremer Benutzung oder Temperaturen kleine Lecks entwickeln. Wenn die äußere Hülle beschädigt ist und die Flüssigkeit auf Ihre Haut gerät:
  - Waschen Sie sofort mit Seife und Wasser.
  - Mit Zitronensaft, Essig oder einer anderen schwachen Säure neutralisieren.
- Wenn die Flüssigkeit in Ihre Augen gelangt, befolgen Sie die oben genannten Anweisungen und suchen medizinische Hilfe auf.
- Überprüfen Sie bitte vor der Benutzung, ob Ausgangsspannung und Strom des Ladegerätes zum Aufladen des Akkupacks

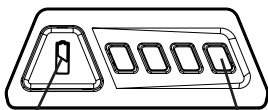
## Deutsch(Übersetzung der originalen Anleitungen)

geeignet sind.

- Benutzen Sie das Ladegerät nicht unter Umständen wo die Ausgangspolarität nicht zu der Spannungs- Polarität passt.
- Nur für den Hausgebrauch.
- Die Abdeckung darf unter keinen Umständen geöffnet werden. Wenn die Abdeckung beschädigt ist, darf das Ladegerät nicht weiter benutzt werden.
- Nicht zum Aufladen nicht-aufladbarer Batterien.

### ÜBERPRÜFEN DER AKKUKAPAZITÄT

Drücken Sie die Taste für die Akkuanzeige (BCI). Die Lampen leuchten gemäß dem Ladezustand des Akkus auf. Siehe Tabelle unten:



TASTE FÜR AKKUKAPAZITÄT-SANZEIGE (AKA) LEUCHTANZEIGE

Lampen	Kapazität
4 Grüne Lampen	Der Akku ist zu mehr als 80% aufgeladen.
3 Grüne Lampen	Der Akku ist zwischen 80% und 60% aufgeladen.
2 Grüne Lampen	Der Akku ist zwischen 60% und 40% aufgelade.
1 Grüne Lampe	Der Akku ist zwischen 40% und 25% aufgelade.
Lampen sind aus	Der Akku ist unter 25% aufgeladen um muss sofort neu aufgeladen werden.

### SICHERHEITSHINWEISE UND VORSICHTSMAßNAHMEN

1. Zerlegen Sie den Akku nicht.
2. Von Kindern fernhalten.
3. Setzen Sie den Akku nicht Wasser oder Salzwasser aus, der Akku sollte an einem kühlen und trockenen Ort aufbewahrt werden.
4. Setzen Sie den Akku keinen hohen Temperaturen aus, wie in der Nähe von Feuer, Heizkörpern usw.
5. Vertauschen Sie nicht den positiven und negativen Anschluss des Akkus.
6. Verbinden Sie den positiven und den negativen Anschluss des Akkus nicht mit einem Metallgegenstand.
7. Stoßen oder schlagen Sie den Akku nicht, oder stellen sich darauf.
8. Löten Sie nichts an den Akku oder durchbohren den Akku mit Nägeln oder anderem spitzen Werkzeug.
9. Reiben Sie nicht das Auge, falls der Akku undicht ist und Flüssigkeit in das Auge gelangt ist. Gut mit Wasser spülen. Hören Sie sofort mit der Benutzung des Akkus auf, wenn der Akku bei der Benutzung ungewöhnlich riecht, heiß wird, Farbe oder Form ändert oder auf eine andere Art ungewöhnlich aussieht.

#### ⚠ WARNUNG

Zur Vermeidung von Feuer oder Stromschlag:




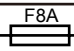
- Wenden Sie nicht ein feuchtes Tuch oder Reinigungsmittel an dem Akku oder Ladegerät an.
- Entfernen Sie vor dem Reinigen, Überprüfen oder Warten des Werkzeugs immer den Akku.

### REINIGUNG

Wischen Sie die Oberfläche des Ladegerätes mit einem weichen, trockenen Tuch. Nicht

## Deutsch(Übersetzung der originalen Anleitungen)

abspritzen oder mit Wasser waschen.

	Klasse II Doppelisolierung
	Nur für den Innenbereich.
	Lesen Sie vor dem Aufladen die Bedienungsanleitung.
	Sicherung

### ⚠ WARNING

Das Gerät darf nicht von Personen (einschließlich Kindern) mit eingeschränkten physischen oder mentalen Fähigkeiten, oder mangelnder Erfahrung und Wissen vorgesehen, es sei denn, sie werden beaufsichtigt oder ihnen wurden Anweisungen gegeben. Kinder unter Aufsicht dürfen nicht mit dem Gerät spielen.

- Kinder dürfen nicht mit dem Gerät spielen.
- Reinigung und Wartung sollte nicht von unbeaufsichtigten Kindern durchgeführt werden.
- Falls das Stromkabel beschädigt ist, muss es zur Vermeidung einer Gefährdung durch den Hersteller, dessen Kundendienst oder ähnlich qualifizierten Personen ausgetauscht werden.

### UMWELTGERECHTE ENTSORGUNG DER AKKUS



Die folgenden giftigen und ätzenden Materialien sind in Akkupacks dieses Werkzeugs enthalten.

Lithium-Ionen, ein giftiges Material.

### ⚠ WARNING

Alle giftigen Materialien müssen auf eine bestimmte Weise entsorgt werden, um Umweltverschmutzung zu verhindern. Befragen Sie Ihre örtliche Abfallentsorgungsbehörde oder Umweltschutzbehörde zu besonderen Anweisungen, bevor Sie beschädigte oder verbrauchte Akkupacks entsorgen. Bringen Sie die Akkus zu dem örtlichen, zur Entsorgung von Li-Ionen zertifizierten, Recyclingcenter und/oder Entsorgungsceneter.

### ⚠ WARNING

Wenn der Akkupack reißt oder zerbricht, mit oder ohne Leckage, laden Sie ihn nicht auf und benutzen ihn nicht. Entsorgen Sie es und ersetzen es mit einem neuen Akkupack. **VERSUCHEN SIE NICHT IHN ZU REPARIEREN!**

Zur Vermeidung von Feuer, Explosion oder Stromschlag und Umweltschäden:

- Decken Sie die Kontakte des Akkus mit dickem Klebeband ab.
- Versuchen Sie NICHT Teile des Akkupacks zu entfernen oder zu zerstören.
- Versuchen Sie NICHT den Akkupack zu öffnen.

### ⚠ WARNING

- Wenn ein Leck auftritt, können die austretenden Elektrolyte ätzend und giftig sein. Lassen Sie die Lösung NICHT in Ihre Augen oder auf Ihre Haut gelangen und schlucken Sie sie nicht.
- Geben Sie diese Akkus NICHT in den normalen Haushaltsabfall.
- NICHT verbrennen.
- NICHT dort platzieren, wo sie in eine Mülldeponie oder die Entsorgung von Haushaltsabfall gelangen können.
- Bringen Sie sie zu einem zugelassenen Recyclingoder Entsorgungsceneter.

# Deutsch(Übersetzung der originalen Anleitungen)

## AKKU-LADEGERÄT

### SPEZIFIKATIONEN

82V Ladegerät: EBSRC82

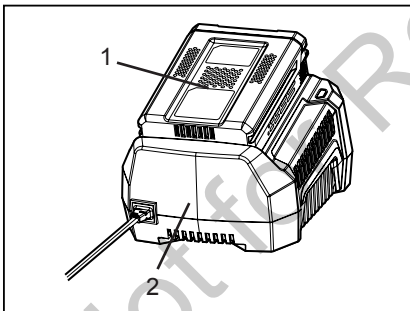
Eingang: 230V ~ 50/60Hz, 2.5A

Ausgang: 82V = 4A

### LADEVORGANG

*HINWEIS: Der Akku wird nicht voll geladen verschickt. Es wird empfohlen den Akku vorder Benutzung voll aufzuladen, um die maximale Laufzeit zu erreichen. Dieser Lithium-Ionen Akku entwickelt keinen Memory- Effekt und kann jederzeit aufgeladen werden.*

1. Stecken Sie das Ladegerät in eine Wechselstrom- Steckdose.
2. Legen Sie den Akkupack (1) in das Ladegerät (2).



Das ist ein Diagnose-Ladegerät. Die LED Lampen des Ladegerätes leuchten in einer bestimmten Reihenfolge auf, um den aktuellen Akkuzustand anzuzeigen. Sie sind wie folgt:

LED-STATUS	BESCHREIBUNG
Grün blin kend	Aufladen
Grün	Voll aufgeladen
Rot	Überhitzung
Rot blinkend	Ladefehler

Falsche Defektanzeige:

Wenn der Akku in das Ladegerät eingelegt wird und die LED blinkt, entfernen Sie den Akku für ungefähr 1 Minute aus dem Ladegerät und legen ihn dann wieder ein. Wenn die LED den Normalzustand anzeigt ist der Akku in Ordnung. Wenn die LED immer noch blinkt, entfernen Sie den Akkupack und ziehen den Netzstecker des Ladegerätes. Warten Sie 1 Minute und schließen das Ladegerät wieder an und legen den Akku ein. Wenn die LED den Normalzustand anzeigt ist der Akku in Ordnung. Wenn die LED immer noch blinkt, ist der Akkupack defekt und muss ersetzt werden.

*HINWEIS: Wenn die rote Anzeige flackert, nehmen Sie den Akku aus dem Ladegerät und legen ihn innerhalb von 2 Stunden wieder ein. Wenn die Anzeige den Ladevorgang anzeigt, ist der Akku in Ordnung. Nehmen Sie nach 2 Stunden bitte den Akku heraus und ziehen den Netzstecker für 1 Minute, legen Sie dann den Akku wieder ein und schließen das Ladegerät an das Stromnetz an. Wenn die Anzeige den Ladevorgang anzeigt, ist der Akku in Ordnung. Wenn nicht, muss der Akku gewechselt werden.*

### ÜBERPRÜFEN DER LADUNG

Wenn der Akku nicht richtig auflädt:

- Überprüfen Sie den Strom der Steckdose mit einem anderen Werkzeug. Stellen Sie sicher, dass die Steckdose nicht ausgeschaltet ist.
- Überprüfen Sie, dass die Ladekontakte nicht durch Schmutz oder Fremdkörper kurzgeschlossen sind.
- Wenn die Umgebungstemperatur nicht die normale Zimmertemperatur ist, bringen Sie das Ladegerät und den Akkupack an einen Ort mit Temperatur zwischen 6 °C und 40°C.

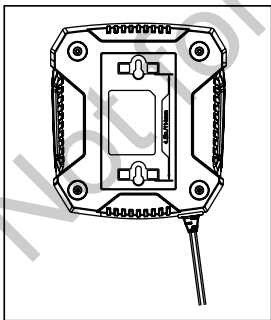
## Deutsch(Übersetzung der originalen Anleitungen)

### ⚠ WARNUNG

Wenn der warme oder heiße Akku in das Ladegerät eingelegt wird, leuchtet die LADEN LED an dem Ladegerät ROT. Wenn das passiert, lassen Sie den Akku ohne das Ladegerät für ungefähr 30 Minuten abkühlen.

### BEFESTIGUNG DES LADEGERÄTES

1. Dieses Ladegerät kann mit zwei #8 Schrauben (nicht mitgeliefert) an eine Wand montiert werden.
2. Legen Sie den Ort für die Montage des Ladegerätes fest.
3. Benutzen Sie 2 Holzschrauben, wenn sie es an Holz befestigen (nicht im Lieferumfang enthalten).
4. Bohren Sie zwei Löcher 114,3mm auseinander und stellen Sie sicher, dass sie in einer senkrechten Linie sind.
5. Benutzen Sie bei Montage an einer Trockenwand Maueranker und Schrauben zum Befestigen des Ladegerätes an die Wand.



**HINWEIS:** Wenn der Akku und das Ladegerät für lange Zeit nicht benutzt werden, entfernen Sie bitte den Akku von dem Ladegerät und ziehen den Netzstecker.

### WICHTIGE SICHERHEITSANWEISUNGEN

1. HEBEN SIE DIESE ANWEISUNGEN AUF - GEFAHR: BEFOLGEN SIE DIESE ANWEISUNGEN, UM DIE GEFAHR VON FEUER ODER STROMSCHLAG ZU VERRINGERN.
2. Bestätigen Sie in jedem Land die verfügbare Spannung, bevor Sie das Ladegerät benutzen.
3. Wenn das spitze Ende des Steckers nicht in die Steckdose passt, benutzen Sie einen passenden Adapter für die Steckdose.

### Richtige Entsorgung dieses Produktes:



Diese Markierung zeigt an, dass dieses Produkt in der gesamten EU nicht zusammen mit dem Haushaltsmüll entsorgt werden darf. Um eine mögliche Schädigung der Umwelt oder der menschlichen Gesundheit durch unkontrollierte Entsorgung zu vermeiden, recyceln Sie es verantwortlich um eine nachhaltige Wiederverwendung von Rohstoffen zu unterstützen. Um dieses Gerät zurückzugeben, nutzen Sie bitte das Rückgabe und Sammelsystem oder wenden Sie sich an den Händler, bei dem Sie das Produkt erworben haben. Der kann das Produkt für ein umweltfreundliches Recycling entgegennehmen.



**Deutsch(Übersetzung der originalen Anleitungen)****Entfernen von Batterien und Akkus zur Entsorgung**

Mitgliedsstaaten stellen sicher, dass Hersteller Gerät so entwickeln, dass Batterien und Akkus einfach zur Entsorgung entfernt werden können. Wo sie nicht einfach von dem Endkunden entfernt werden können. Mitgliedsstaaten stellen sicher, dass Hersteller Gerät so entwickeln, dass Batterien und Akkus einfach von qualifizierten Fachleuten, die unabgänglich von dem Hersteller sind, zur Entsorgung entfernt werden können. Geräte, die Batterien und Akkus enthalten, erden mit Anweisungen zur sicheren Entfernung von Batterien und Akkus durchden Endverbraucher oder qualifizierte Fachleute begleitet Gegebenenfalls informieren die Anweisungen den Endverbraucher über die Art der in dem Gerät enthaltenen Batterien und Akkus.

## Español (Traducción de las instrucciones originales)

### BATERÍA

#### ESPECIFICACIONES

EBSB2AH82

Batería: 72V  $\approx$  2.0AH, 144Wh, 82V Máx.

Voltaje por célula: 3.6V ; Número de células: 20

Tiempo de precio: 30 min. (use EBSRC82 Cargador)

EBSB4AH82

Batería: 72V  $\approx$  4.0AH, 288Wh, 82V Máx.

Voltaje por célula: 3.6V; Número de células: 40

Tiempo de precio: 60 min. (use EBSRC82 Cargador)

Para un uso, mantenimiento y almacenamiento adecuados de la batería, es sumamente importante que lea y entienda las instrucciones incluidas en este manual.

Para evitar lesiones graves, riesgo de incendio, explosión y peligro de descarga eléctrica o electrocución:

- NO pruebe el cargador con materiales conductores.
- Si el caso batería está roto o dañado, no introduzca en el cargador. Reemplazar con una batería nueva.
- NO cargue las baterías con cualquier otro tipo de cargador.
- NO permita que entre líquido en el interior del cargador.
- NO intente usar el cargador para cualquier propósito que no sea el presentado en este manual.
- NO intente cortocircuitar los terminales de la batería.

#### ⚠ ADVERTENCIA

Si el líquido de la batería entra en contacto con sus ojos, lávelos inmediatamente con agua limpia durante al menos 15 minutos. Busque atención médica inmediata. No cargue la batería a la lluvia o en condi-ci nes húmedas. No sumerja el instrumento, la ateria o el cargador en agua u otro líquido.

- No permita que la batería o el cargador se sobrecalienten. Si están calientes, deje que se enfríen. Recargue sólo a temperatura ambiente.
- No cubra las ranuras de ventilación de la parte superior del cargador. No coloque el cargador sobre una superficie blanda, por ejemplo, manta o almohada. Mantenga las rejillas de ventilación del cargador libres de obstáculos.
- No permita que pequeños objetos de metal u otro material como la lana de acero, aluminio, u otras partículas extrañas, entren en la cavidad del cargador.
- Desenchufe el cargador antes de limpiarlo y cuando no esté instalada la batería en el cargador.
- No coloque la batería al sol o en un ambiente cálido. Manténgalos a temperatura ambiente normal.
- No intente conectar dos cargadores juntos.
- Mantener alejada de la luz directa, en un lugar fresco y seco. Si la batería no se ha cargado durante un periodo largo de tiempo, cargue la batería durante 2 horas cada 2 meses.
- Las células de la batería pueden desarrollar una pequeña fuga en condiciones extremas de uso o de temperatura. Si la junta exterior se rompe y la fuga entra en contacto con la piel.
  - Lávela de inmediato con agua y jabón.
  - Neutralícela con zumo de limón, vinagre u otro ácido suave.
- Si una fuga de la batería entra en contacto con sus ojos, siga las instrucciones

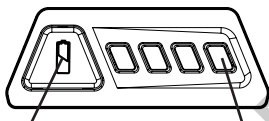
## Español (Traducción de las instrucciones originales)

anteriores y busque atención médica.

- Antes de usarlo, compruebe si la tensión de salida y la corriente del cargador de la batería son adecuadas para la batería de carga.
- No utilice el cargador en circunstancias en las que la polaridad de salida no coincida con la polaridad de carga.
- Sólo para uso en el interior.
- La cubierta no debe abrirse bajo ninguna circunstancia. Si la cubierta se daña, el cargador no debe volver a utilizarse.
- No intente recargar baterías recargables.

### COMPROBACIÓN DE LA PILA

Pulse el indicador de capacidad de la batería (BCI). Las luces se encenderán según el nivel de capacidad de las baterías. Consulte la siguiente tabla:



CAPACIDAD DE LA BATERÍA INDICADOR (BCI) MEDIDOR DE LA LUZ

Luces	Capacidad
4 Luces Verdes	La batería más de un 80% de capacidad.
3 Luces Verdes	La batería tiene entre un 80% y un 60% de capacidad.
2 Luces Verdes	La batería tiene entre un 60% y un 40% de capacidad.
1 Luz Verde	La batería tiene entre un 40% y un 25% de capacidad.
Las luces se apagan	La batería está por debajo del 25% de su capacidad y es necesario cargarla inmediatamente.

### NOTAS Y PRECAUCIONES DE SEGURIDAD

1. No desmonte la batería.
2. Mantenga la herramienta alejada de los niños.
3. No exponga la batería al agua, dulce o salada. La batería debe guardarse en un lugar fresco y seco y debe colocarse en un entorno fresco y seco.
4. No coloque la batería en lugares con altas temperaturas, como cerca de un fuego, radiador, etc.
5. No invierta el terminal positivo y el terminal negativo de la batería.
6. No conecte los terminales positivo y negativo de la batería con objetos de metal.
7. No golpee ni pise la batería.
8. No realice soldaduras directamente en la batería ni perforo la batería con clavos u otras herramientas de corte.
9. En caso de que la batería presente fugas y el líquido entre en el ojo, no se frote los ojos. Enjuágue los bien con agua. Suspenda inmediatamente el uso de la batería si, durante el uso, la batería emite un olor raro, se calienta, cambia de color, cambia de forma o presenta cualquier otra anomalía.

### ⚠ ADVERTENCIA




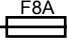
Para evitar riesgos de incendio, shock eléctrico o electrocución:

- No utilice tejidos húmedos ni detergentes que puedan entrar en contacto con la batería o con el cargador.
- Retire siempre la batería antes de limpiar, inspeccionar o efectuar cualquier operación de mantenimiento en la herramienta.

## Español (Traducción de las instrucciones originales)

### LIMPIEZA

Limpie el exterior del cargador con un paño fino y húmedo. No lo limpie con agua ni utilice mangueras.

	Clase II Doble aislamiento
	Para uso de interior sólo
	Antes del cobro, lea la instrucción.
	Fusible

### ⚠ ADVERTENCIA

Este aparato no está diseñado para ser utilizado por personas (incluidos niños) con discapacidades físicas, sensoriales o mentales, o con falta de experiencia y conocimiento, a menos que hayan recibido supervisión o instrucción. Se debe supervisar los niños para que no jueguen con el aparato.

- Los niños no deben jugar con el aparato.
- Los niños no deben realizar la limpieza y mantenimiento de usuario sin supervisión.
- Si el cable de alimentación está dañado, deberá ser reemplazado por el fabricante, su agente de servicio o por personal cualificado con el fin de evitar situaciones de peligro.

### ELIMINACIÓN SEGURA DE LA BATERÍA



Las baterías utilizadas en esta herramienta contienen los siguientes materiales tóxicos y corrosivos:

Litio-ión, un material tóxico.

### ⚠ ADVERTENCIA

Todos los materiales tóxicos deben ser desechados de forma específica para evitar contaminar el medio ambiente. Antes de desechar una batería de litio-ión estropeada o gastada, póngase en contacto con el organismo encargado del tratamiento de residuos más próximo o con su agencia de protección medioambiental para informarse y solicitar instrucciones específicas. Recicle las baterías en un centro o dispositivo adecuado, autorizado para el tratamiento de ón-litio.

### ⚠ ADVERTENCIA

Si la batería se agrieta o se rompe, con o sin escapes, no la recargue ni la utilice. Deséchela y sustitúyala por una batería nueva. ¡NO INTENTE REPARARLA!  
Para evitar lesiones y riesgos de incendio, explosión o shock eléctrico, así como dañar el medio ambiente:

- Cubra los terminales de la cubierta de la batería con cinta adhesiva resistente.
- NO intente retirar ni destruir componentes de la batería.
- NO intente abrir la batería.

### ⚠ ADVERTENCIA

- Si aparece una grieta, los electrolitos que se liberan son corrosivos y tóxicos. NO permita que la solución entre en contacto con los ojos o la piel y no la ingiera.
- NO tire estas baterías a la basura.
- NO las incinere.
- NO las ponga donde puedan acabar en el basurero o en una línea de tratamiento de residuos municipal.
- Llébvelas a un centro oficial de reciclaje o recogida de desechos.

## Español (Traducción de las instrucciones originales)

### CARGADOR DE BATERÍA

#### ESPECIFICACIONES

82V cargador: EBSRC82

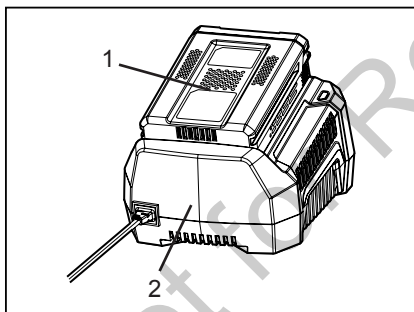
Entrada: 230V ~ 50/60Hz, 2.5A

Salida: 82V = 4A

#### PROCEDIMIENTO DE CARGA

*NOTA: La batería no se envía completamente cargada. Se recomienda cargarla completamente antes de usarla por primera vez para garantizar que se pueda obtener el máximo tiempo de funcionamiento. Esta batería de ión de litio no desarrolla memoria y se le puede cargar en cualquier momento.*

1. Enchufe el cargador en un tomacorriente de CA.
2. Coloque el paquete de baterías (1) en el cargador (2).



Este es un cargador con diagnóstico. Las lámparas LED del cargador se iluminan de acuerdo a un orden específico para indicar el estado actual de la batería. Ellos son los siguientes.

ESTADO DEL LED	DESCRIPCIÓN
Verde parpadeante	Carga
Verde fijo	Carga completa
Rojo fijo	Temperatura excesiva
Rojo parpadeante	Problema en la carga

Nota de defecto falso:

Quando la batería esté insertada en el cargador y el LED de estado parpadee, retire la batería del cargador durante 1 minuto y luego vuelva a insertarla. Si el LED de estado indica normal, la batería está en correcto estado. Si el LED de estado sigue parpadeando, retire la batería y desenchufe el cargador. Espere 1 minuto, vuelva a enchufar el cargador de nuevo y, a continuación, reinserte la batería. Si el LED de estado indica normal, la batería está en correcto estado. Si el LED de estado sigue parpadeando, significa que la batería es defectuosa y necesita reemplazarse.

*NOTA: Cuando el indicador rojo parpadee, saque la batería del cargador e vuelva a insertarla en el plazo de 2 horas. Si el indicador indica que se está cargando, significa que la batería está en correcto estado. Después de 2 horas, retire la batería y desconecte el enchufe de alimentación de CA del cargador durante 1 minuto. A continuación, vuelva a insertar el enchufe de alimentación de CA y la batería. Si el indicador indica que se está cargando, significa que la batería está en correcto. Si no, la batería necesita reemplazarse.*

#### COMPROBACIÓN DE LA CARGA

Si la batería no se recarga adecuadamente:

- Compruebe la corriente de la toma con otro aparato eléctrico. Asegúrese de que la toma está encendida.
- Compruebe que no haya residuos ni elementos extraños interfiriendo en las conexiones del cargador.
- Si la temperatura ambiental no es una temperatura normal, lleve el cargador y la batería a un lugar con una temperatura de entre 6°C y 40°C.

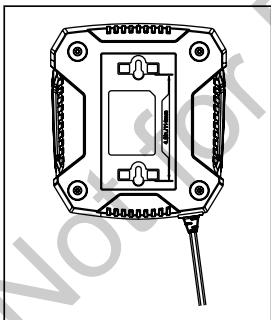
## Español (Traducción de las instrucciones originales)

### ▲ ADVERTENCIA

Si se inserta la batería en el cargador estando caliente, se enciende la luz LED del indicador de CARGA del cargador y se pone ROJO. Si esto sucede, deje enfriar la batería fuera del cargador durante aproximadamente 30 minutos.

### MONTAJE DEL CARGADOR

1. Este cargador se puede instalar en una pared atornillándolo con dos tornillos nº 8 (no incluidos).
2. Localice el lugar en el que quiere colgar el cargador.
3. Si la pared es de madera, utilice dos tornillos especiales para madera (no incluido).
4. Perfore dos agujeros en el centro con una distancia de 114,3 mm alineados verticalmente.
5. Si la pared es de yeso (no incluido), utilice anclajes y tornillos especiales para colgarlo.



*NOTA: Si no va a utilizar la batería y el cargador durante un periodo largo de tiempo, retire la batería del cargador y desenchufe el cable de alimentación de CA.*

### INSTRUCCIONES DE SEGURIDAD IMPORTANTES

1. GUARDE ESTAS INSTRUCCIONES - PELIGRO PARA REDUCIR EL RIESGO DE INCENDIO O DESCARGA ELÉCTRICA, SIGA ATENTAMENTE ESTAS INSTRUCCIONES.
2. Compruebe el voltaje disponible en cada país antes de usar el cargador.
3. Si la clavija no encaja en la toma de corriente, utilice un adaptador con la configuración apropiada para la toma de corriente.

### ŘÁDNÁ LIKVIDACE PRODUKTU:



Esta marca indica que este producto no debería ser dispuesto con otras basuras de la casa en todas partes de la Unión Europea. Para prevenir el daño posible al ambiente o salud humana de la eliminación de desperdicios incontrolada, recíclelo con responsabilidad para promover la reutilización sostenible de recursos materiales. Para devolver su dispositivo usado, por favor use los sistemas de colección y vuelta o póngase en contacto con el detallista donde el producto fue comprado. Ellos pueden tomar este producto para el reciclaje seguro ambiental.

**Español (Traducción de las instrucciones originales)****Eliminación de baterías y acumuladores usados**

Los Estados miembros se asegurarán que los fabricantes diseñarán aparatos, de tal manera que los residuos de baterías y acumuladores se pueden eliminar fácilmente. Cuando no se pueden eliminar fácilmente por el usuario final. Los Estados miembros se asegurarán que los fabricantes diseñarán aparatos, de tal manera que los residuos de baterías y acumuladores se pueden eliminar fácilmente por profesionales cualificados que son independientes de los fabricantes. Aparatos en los que se incorporan baterías y acumuladores deberán ir acompañados de instrucciones sobre cómo estas baterías y acumuladores se pueden eliminar de manera segura ya sea por el usuario final o por profesionales cualificados independientes. En su caso, las instrucciones también informarán al usuario final de los tipos de batería o acumulador incorporado en el aparato.

## Eesti (Originaaljuhendi tõlge)

## AKU

## OMADUSED

EBSB2AH82

Aku: 72V == 2.0AH, 144Wh, 82V Maks

Pinge elemendi kohta: 3.6V ; Elementide arv: 20

Laadimisaeg: 30 min. (kasutada laadijat EBSRC82)

EBSB4AH82

Aku: 72V == 4.0AH, 288Wh, 82V Maks

Pinge elemendi kohta: 3.6V ; Elementide arv: 40

Laadimisaeg: 60 min. (kasutada laadijat EBSRC82)

Aku nõuetekohaseks kasutamiseks, hooldamiseks ja ladustamiseks tuleb kõigepealt läbi lugeda ja aru saada juhendi sisust.

Raskete õnnetuste, tuleoahu, plahvatusoahu ja elektrilöögi ning elektrikaarega seotud ohtude vältimiseks:

- ÄRGE sondeerige laadijat elektrit juhtivate materjalidega.
- ÄRGE pange akut laadijasse kui aku elementide karp on katki või kahjustatud. Asendage uue akuga.
- Neid akusid EI tohi laadida teist tüüpi laadijaga.
- Laadijasse EI tohi pääseda vedelikku.
- Laadijat EI tohi kasutada juhendis mittekirjeldatud eesmärkidel.
- ÄRGE lühistage aku klemme.

## ▲ HOIATUS

Kui akuvedelik puutub kokku silmadega, peske silmi koheselt puhta veega vähemalt 15 minuti jooksul. Pöörduge viivitamatult arsti poole. Ärge laadige akut vihma käes või niiskes keskkonnas. Ärge hoidke tööriista, akut või laadijat vees või mõnes muus vedelikus.

- Ärge laske akupaketti või akulaadijat üle kuumeneda. Kui need on kuumenenud, laske neil maha jahtuda. Tehke laadimistööd ainult toatemperatuuril.
- Ärge katke kinni akulaadija allosas olevaid õhutusavasid. Ärge pange laadijat pehmele pinnale nagu tekk või padi. Hoidke laadija õhutusavad vabad.
- Ärge laske väikestel metallesemetel või materjalidel nagu metallilaastud, alumiiniumfoolium või võõrosakestel sattuda laadija pessa.
- Lahutage laadija vooluvõrgust kui hakkate seda puhastama või kui selles pole akupaketti.
- Ärge jätke akupaketti päikese kätte või kuumale kohtale. Hoidke seda tavalisel toatemperatuuril.
- Ärge püüdke kahte laadijat kokku ühendada.
- Kui akut pikka aega ei kasutata, hoidke seda varjulises, jahedas ja kuiva kohas ning laadige iga 2 kuu järel 2 tunni jooksul.
- Äärmuslikes kasutustingimustes või temperatuuridel võivad akupaketi elemendid lekkima hakata. Ettevaatusabinõud, kui väliskate on katki ja lekkinud vedelik satub nahale.
  - Peske lekkinud vedelik seebi ja veega kohe maha.
  - Neutraliseerige nahk sidrunimahla, äädika või kergetoimelise happega.
- Kui lekkinud vedelik satub silma, järgige ülalmainitud juhiseid ja pöörduge arsti



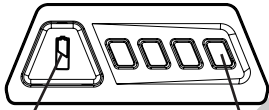
## Eesti (Originaaljuhendi tõlge)

poole.

- Kontrollige enne kasutamist, kas akulaadija väljundpinge on sobiv akupaketi laadimiseks.
- Ärge kasutage niimoodi, et väljundpolaarsus ei vasta koormuse polaarsusele.
- Ainult ruumis kasutamiseks.
- Kaant ei tohi mingil juhul avada. Kui kaas on vigastatud, siis ei tohi laadijat edasi kasutada.
- Ärge püüdke laadida mittelaetavaid patareid.

### AKU TÄITUVUSE KONTROLL

Vajutage aku täitvuse indikaatori klahvi (BCI). Vastavalt aku seisukorrale süttivad tuled: Vaadake skeem all:



AKULAETUVUSE KONTROLLNUPP (ICB)
MÖÖTMINE

Tuled	Täitvus
4 rohelist tuld	Aku on laetud vähem kui 80%.
3 rohelist tuld	Aku on laetud 80% - 60%.
2 rohelist tuld	Aku on laetud 60% - 40%.
1 roheline tuli	Aku on laetud 40% - 25%.
Tuled kustuvad	Aku on laetud vähem kui 25%. Aku tuleb viivitamatult laadima panna.

### OHUTUS- JA ETTEVAATUSABINÕUD

1. Akut EI TOHI lahti võtta.
2. Hoidke laste eest.
3. ÄRGE jätke akut mageda või soolase vee kätte, hoida jahedas ja kuivas kohas.
4. ÄRGE jätke akut liiga sooja kohta, näiteks tule või radiaatori kõrvale.
5. ÄRGE vahetage omavahel aku negatiivset ja positiivset klemmi.
6. VÄLTIGE metallist esemete kokkupuudet aku klemmidega, nii positiivse kui negatiivsega.
7. Akut EI TOHI lüüa, taguda ega sellele jalgupidi peale ronida.
8. Akut EI TOHI keevitada ega kruvide või teiste teravate esemetega perforerida.
9. Kui aku kaotab vedelikku ja see puutub kokku silmadega, siis ärge hõõruge neid vaid loputage rohke veega. Ärge kasutage akut, kui sellest eritub ebatavalist lõhna, see on ülekuumenud või omandab ebanormaalse värvi/kuju või muu aspekti.




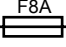
#### ⚠ HOIATUS

Tuleohtu ja elektrilöögiohtu vältimiseks:

- Ärge asetage niiskeid lappe ega puhastusvahendeid akule ega akulaadijale.
- Enne seadme puhastamist, ülevaatust või hooldust eemaldage kõigepealt aku.

### PUHASTAMINE

Laadijat võib väljastpoolt puhastada pehme ja kuiva lapiga. Ärge loputage pumbast ega puhastage veega.

	Klass II Kahekordne isolatsioon
	Ainult siseruumides kasutamiseks
	Enne laadimist lugeda juhiseid
	Kaitse

**Eesti (Originaaljuhendi tõlge)****▲ HOIATUS**

Seadme kasutamine pole ette nähtud nende isikute (kaasa arvatud lapsed) poolt, kellel on piiratud füüsilised, sensoorsed või vaimsed võimed ning kogemusteta ja väljaõppeta isikutel, välja arvatud juhul kui nad on kasutamise ajal järelevalve või juhendamise all. Laste järele tuleb valvata, et nad seadmega ei mängiks.

- Lapsed ei tohi selle seadmega mängida.
- Lastel ei ole lubatud seadet ilma järelevalveta puhastada ega hooldada.
- Kui toitejuhe on vigastatud, siis see tuleb ohutuse tagamiseks lasta asendada tootja, tema hooldusagendi või samaväärse hooldaja poolt, et ohtu vältida.

**▲ HOIATUS**

Kui aku on pragunenud või katki, ükskõik, kas lekib või mitte, siis ei tohi seda enam laadida ega kasutada. Viige see ümbertöötlemisse ning asendage uue akuga. **ÄRGE PROOVIGE SEDA PARANDADA!**

Õnnetuste, tulekahju, plahvatus- ja elektrilöögiohu vältimiseks ning keskkonna kaitsmiseks:

- Katke akuklemmid vastupidava kleeplindiga.
- ÄRGE proovige ühtki aku osa eemaldada või lõhkuda.
- ÄRGE proovige akut avada.

**AKU LOODUSSÖBRALIK ÜMBERTÖÖTLEMINE**

Tööriistaga kaasas oleva aku sisaldab järgmisi mürgiseid ja korrosiivseid aineid:

Liitiumioonid on mürgine aine.

**▲ HOIATUS**

AKõiki mürgiseid aineid tuleb ümber töödelda viisil, mis välistab keskkonnareostuse. Enne kahjustatud või katkise liitiumioonaku ümbertöötlemist pöörduge kohaliku ümbertöötlemiskeskuse või keskkonnakaitse kontori poole, et saada vajalikku teavet või juhiseid. Viige akud ümbertöötlemiskeskusse, mis on sertifitseeritud liitiumioonakusid ümber töötlema.

**▲ HOIATUS**

■ Akuleketes väljuvad elektrolüüdid on korrosiivne ja mürgine aine. **VÄLTIGE** kokkupuudet vedeliku ja silmade või naha vahel, ennekoike ärge neelake seda alla.

- ÄRGE visake akut koduse prügi sekka.
- MITTE põletada.
- ÄRGE pange akut kuhugi, kus see võiks lõpetada kohalikul prügimäel või tavalise tahke prügi seas.
- Viige need ringlussevõtujaama.

**AKULAADIJA****OMADUSED**

82V Laadija: EBSRC82

Sisend: 230V ~ 50/60Hz, 2.5A

Väljund: 82V = 4A

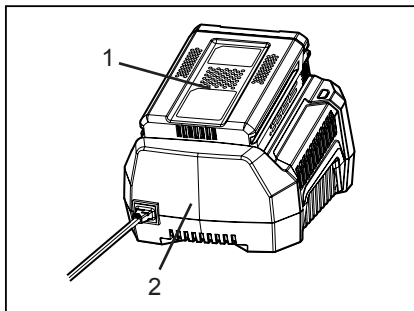
**LAADIMINE**

*MÄRKUS: Aku ei ole tarnimise hetkel täielikult laetud. Pikema tööea saavutamiseks on soovitatav aku enne esimest kasutamist täis*

## Eesti (Originaaljuhendi tõlge)

laadida. Liitiumioonakul ei ole mälu ja seda võib ükskõik mis hetkel laadida.

1. Ühendage laadija pistikusse.
2. Paigutage aku (1) laadijasse (2).



Tegemist on diagnoosiva laadijaga. Laadija leed-lambid süttivad ja annavad teada, millises seisus on aku. Aku täituvus vastavalt tuledele:

LEED TULI	KIRJELDUS
Roheline vilkuv	Laadimas
Roheline pidev	Täiesti laetud
Punane pidev	Liiga kõrge temperatuur
Punane vilkuv	Laadimisviga

Kui tuli annab valehäiret:

Kui aku pannakse laadijasse ja leed hakkab vilkuma, siis eemaldage aku laadijast üheks minutiks ja proovige uuesti. Kui leed näitab "normaalne", siis aku on töökorras. Kui leed hakkab uuesti vilkuma, siis eemaldage aku ja võtke laadija vooluvõrgust välja. Oodake üks minut, ühendage laadija vooluvõrguga ja pange aku tagasi. Kui leed näitab "normaalne", siis aku on töökorras. Kui leed hakkab uuesti vilkuma, siis aku on defektne ja tuleb välja lülitada.

**MÄRKUS:** WKui punane tuli hakkab vilkuma, siis võtke aku laadijast välja ja pange 2 tunni jooksul tagasi. Kui laadija näitab, et on laetud, siis on aku parimas töökorras. Pärast kaht tundi eemaldage aku ja võtke laadija minutiks vooluvõrgust välja, pärast 1 minutit ühendage laadija ja aku tagasi. Kui laadija näitab, et on laetud, siis on aku parimas töökorras. Vastasel juhul tuleb aku välja vahetada.

### LAADIJA KONTROLL

Kui aku ei laadi korralikult:

- Kontrollige väljundvoolu mõne muu tööriistaga. Veenduge, et pistik ei oleks isoleeritud.
- Kontrollige, et laadija kontaktid ei oleks lühistatud jääkide või muude materjalide poolt.
- Kui keskkonna temperatuur ei ole tavapärase, siis pange aku ja laadija kohta, mille temperatuur jääb vahemikku 6°C kuni 40°C.

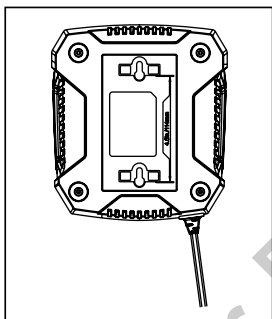
### ⚠ HOIATUS

Kui laadijasse asetatud aku on soe või ülekuumenenud, siis võib laadimisindikaatori leed süttida PUNANE valgusega. Sellisel juhul tuleb lasta akul väljaspool laadijat 30 minutit jahtuda.

## Eesti (Originaaljuhendi tõlge)

### LAADIJA MONTEERIMINE

1. Laadijat on võimalik kahe #8 kruvi abil seinale paigaldada (ei tarnita).
2. Leidke koht seinal, kuhu soovite laadija paigutada.
3. Puidule paigaldamisel kasutage kaht ühesugust sobivat kruvi (ei tarnita).
4. Tehke kaks auku, mille vahemaa on 114,3 mm, kontrollige, et need oleksid vertikaalselt loodis.
5. Kipsplaadile paigaldamisel kasutage ankrut (ei tarnita) ja müürikruvisid, et kinnitada laadija müüri külge.



**MÄRKUS:** Kui aku ja laadija jäävad pikemaks ajaks kasutamata seisma, siis eemaldage aku laadijast ja võtke laadija vooluvõrgust välja.

### TÄHTSAD OHUTUSJUHISED

1. HOIDKE JUHISED ALLES OHT: TULEKAHJU JA ELEKTRILÖÖGIOHU VÄLTIMISEKS ON JUHISTE JÄRGIMINE VÄGA OLÜLINE.
2. Enne laadija kasutamist kontrollige, milline on kasutusjärgse riigi tavaline voolupinge.
3. Kui pistiku klemmid vooluvõrgu pistikupesasa ei sobi, kasutage täiendavat üleminekuadapterit, millel on pistikupesale sobiv klemmivariant.

### TOOTE NÕUETEKOHANE UTILISEERIMINE



Kõrvalolev markeering osutab, et seda seadet ei tohi EL-s pärast kasutusest kõrvaldamist käidelda koos olmeprügiga. Hoolimatust jäätmekäitlusest tingitud võimaliku kahju vältimiseks loodusele või inimeste tervisele peab jäätmekäitus edendama jätkusuutlikku materiaalsete ressursside taaskasutust. Andke oma kasutusest kõrvaldatud seade üle kohalikule jäätmete tagastuse ja kogumise süsteemi ettevõttele või edasimüüjale, kellelt seadme otsite. Nad võtavad selle vastu keskkonnale ohutuks ümbertöötlemiseks.

### Tühjenenud patareide ja akude kasutusest kõrvaldamine



Liikmesriigid tagavad, et tootjad konstrueerivad seadmed nii, et tühjenenud patareid ja akusid saab hõlpsalt eemaldada. Kui lõppkasutaja ei saa neid hõlpsalt eemaldada. Liikmesriigid tagavad, et tootjad konstrueerivad seadmed nii, et tühjenenud patareid ja akusid saavad tootjad sõltumatud pädevad asjatundjad hõlpsalt eemaldada. Seadmetega, milles on patareid ja akud sisse ehitatud, peab kaasas olema juhised, kuidas saab patareid ja akusid ohutult eemaldada, kas lõppkasutaja või sõltumatu pädev asjatundja. Vajaduse korral peavad juhised teavitama lõppkasutajat seadmesse sisse ehitatud patarei või aku tüübist.

## Suomi(Alkuperäisten ohjeiden käännös)

### AKKU

#### TEKNISET TIEDOT

EBSB2AH82

Akku: 72V == 2.0AH, 144Wh, 82V MAX

Jännite kennoa kohden: 3.6V ; Kennojen määrä: 20

Latausaika: 30 min. (käytä EBSRC82-laturia)

EBSB4AH82

Akku: 72V == 4.0AH, 288Wh, 82V MAX

Jännite kennoa kohden: 3.6V ; Kennojen määrä: 40

Latausaika: 60 min. (käytä EBSRC82-laturia)

Tämän akun asianmukainen käyttö, huolto ja säilytys edellyttää, että luet ja ymmärrät tämän käyttöoppaan ohjeet.

Jotta vältyt vakavalta vammalta, tulipalon vaaralta, räjähdykseltä ja sähköiskun vaaralta:

- ÄLÄ työnnä laturiin sähköä johtavia materiaaleja.
- Jos akun kotelo on haljennut tai vioittunut, ÄLÄ laita sitä laturiin. Vaihda se uuteen akkuun.
- ÄLÄ lataa näitä akkuja minkään muun tyyppisellä laturilla.
- ÄLÄ päästä nestettä laturin sisään.
- ÄLÄ yritä käyttää laturia muuhun kuin tässä käyttöoppaassa esitettyyn tarkoitukseen.
- ÄLÄ yritä aiheuttaa akun napojen välille oikosukua.

#### ⚠ VAROITUS

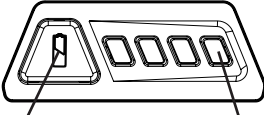
Jos akkunestettä joutuu silmiin, huuhtele niitä puhtaalla vedellä vähintään 15 minuuttia. Hakeudu välittömästi lääkärin hoitoon. Älä lataa akkua sateessa tai kosteissa olosuhteissa. Älä upota laitetta, akkua tai laturia veteen tai muuhun nesteeseen.

- Älä anna akun tai laturin ylikuumentua. Jos ne ovat lämpimät, anna niiden jäähtyä. Suorita lataus vain huoneenlämpötilassa.
- Älä peitä laturin päällä olevia tuuletusaukkoja. Älä aseta laturia pehmeälle pinnalle, kuten huovan tai tyynyn päälle. Pidä laturin tuuletusaukot avoimina.
- Älä päästä pieniä metallinkappaleita tai sellaista materiaalia kuin teräsவில், alumiinikelmu tai muita vieraskappaleita laturin onteloihin.
- Irrota laturi pistorasiasta ennen puhdistusta ja aina kun laturissa ei ole akkua.
- Älä jätä akkua auringonpaisteeseen tai kuumaan ympäristöön. Pidä normaalissa huoneenlämpötilassa.
- Älä yritä kytkeä kahta laturia yhteen.
- Pidä se varjoisassa, viileässä ja kuivassa paikassa, jos akkua ei ole ladattu pitkään aikaan; lataa akkua 2 tuntia 2 kuukauden välein.
- Akun kennot saattavat vuotaa hieman äärimmäisen rankassa käytössä tai ääriämpötiloissa. Jos ulkokuori on rikkoutunut ja nestettä vuotaa iholle:
  - Pese välittömästi saippualla ja vedellä.
  - Neutraloi sitruunamehulla, etikalla tai muulla laimealla hapolla.
- Jos vuotanutta nestettä pääsee silmiin, noudata yllä olevia ohjeita ja hakeudu lääkärin hoitoon.
- Tarkista ennen käyttöä, sopiiko akkulaturin jännite ja virta akun lataukseen.
- Älä käytä laturia olosuhteissa, joissa lähtöpolariteetti ei vastaa kuormapolariteettia.
- Vain sisäkäyttöön.
- Suojusta ei saa avata missään tapauksessa. Jos suoja on vioittunut, laturia ei saa enää käyttää.
- Älä lataa muita kuin ladattavia akkuja.

## Suomi(Alkuperäisten ohjeiden käännös)

### AKUN KAPASITEETIN TARKISTAMINEN

Paina akun kapasiteetin ilmoituspainiketta (BCI). Valo syttyy ilmoittaen akun kapasiteetin. Katso alla oleva taulukko:



AKUN VARAUKSEN  
MERKKIVALO (BCI)  
-PAINIKE

AKKUMITTAR

Valot	Kapasiteetti
4 vihreää valoa	Batteriet er ca. 80% over kapasitet.
3 vihreää valoa	Batteriet er mellom 80% og 60% av kapasitet.
2 vihreää valoa	Batteriet er mellom 60% og 40% av kapasitet.
1 vihreä valo	Batteriet er mellom 40% og 25% av kapasitet.
Valot sammuvat	Akun kapasiteetti on alle 25%, ja se o ladattava heti.

7. Älä napauta tai iske akkua tai astu sen päälle.
8. Älä juota suoraan akkuun tai puhkaise akkua nauloilla tai muilla terävillä työkaluilla.
9. Jos akku vuotaa ja nestettä pääsee silmiin, älä hankaa silmiä. Huuhtelee huolella vedellä. Keskeytä välittömästi akun käyttö, jos akusta tulee käytön aikana epätavallinen haju, jos se tuntuu kuumalta, sen väri tai muuttuu tai se vaikuttaa millään tavoin epänormaalisti.





### ⚠ VAROITUS

Jotta välttyt tulipalon ja sähköiskun vaaralta:

- Älä käytä akun tai akkularurin käsittelyyn kosteaa liinaa tai pesuainetta.
- Irrota akku laitteesta aina ennen puhdistusta, tarkastusta ja laitteen huoltoa.

### PUHDISTAMINEN

Pyyhi laturin ulkopinta pehmeällä, kuivalla liinalla. Älä huuhtelee sitä tai pese sitä vedellä.

	Luokka II Kaksoiseristys
	Vain sisäkäyttöön
	Lue ohjeet ennen lataamista.
	Sulake

### TURVALLISUUSILMOITUKSET JA VAROITIMET

1. Älä pura akkua.
2. Pidä poissa lasten ulottuvilta.
3. Älä altista akkua vedelle tai suolavedelle; akkua tulee säilyttää viileässä ja kuivassa paikassa, ja se on sijoitettava viileään ja kuivaan ympäristöön.
4. Älä sijoita akkua kuumaan paikkaan, kuten tulen, lämmittimen tms. lähelle.
5. Älä vaihda positiivisen ja negatiivisen navan paikkaa akussa.
6. Älä kytke akun positiivista ja negatiivista napaa toisiinsa metalliesineellä.

## Suomi(Alkuperäisten ohjeiden käännös)

### ⚠ VAROITUS

Tätä laitetta ei ole tarkoitettu ihmisille (mukaan lukien lapsille), joiden ruumiin, aistien tai mielen suorituskyky on heikentynyt tai joilta puuttuu kokemusta ja yleistietämystä, ellei heidän turvallisuudestaan vastuussa oleva valvo tai neuvo heitä laitteen käytössä. Lasten ei saa leikkiä laitteella.

- Lasten ei saa leikkiä laitteen kanssa.
- Lapset eivät saa puhdistaa tai huoltaa laitetta ilman valvontaa.
- Jos virtajohto vioittuu, valmistajan, pätevän huoltokeskuksen tai vastaavasti pätevän henkilön on vaihdettava se, jotta vältetään vaaratilanteet.

### YMPÄRISTÖYSTÄVÄLLINEN AKUN HÄVITTÄMINEN



Tämän laitteen akku sisältää seuraavia myrkyllisiä ja syövyttäviä materiaaleja:

Li-ion, myrkyllinen materiaali.

### ⚠ VAROITUS

Kaikki myrkylliset materiaalit on hävitettävä tietyllä tavalla, jotta ympäristö ei saastu. Ennen kuin hävität voittuneen tai loppuun käytetyn litiumioniakun, ota yhteys paikalliseen jätehuoltoon paikalliseen ympäristönsuojeluelimeen ja kysy tietoja ja täsmälliset ohjeet. Vie akku paikalliseen kierrätys- ja/tai hävityslaitokseen, joka on sertifioitu Li-ion-hävitystä varten.

### ⚠ VAROITUS

Jos akku halkeaa tai rikkoutuu, riippumatta vuodoista, älä lataa tai käytä sitä. Hävitä se ja vaihda se uuteen akkuun. **ÄLÄ YRITÄ KORJATA SITÄ!**

Vältä loukkaantumisen ja tulipalon, räjähdysriskin ja sähköiskun riskiä ja ympäristövahingot seuraavasti:

- Peitä akun navat kestäväällä teipillä.
- ÄLÄ yritä irrottaa tai tuhota mitään akun osia.
- ÄLÄ yritä avata akkua.

### ⚠ VAROITUS

■ Jos akku alkaa vuotaa, vapautuvat elektrolyytit ovat syövyttäviä ja myrkyllisiä. ÄLÄ päästä liuosta silmiin tai iholle äläkä niele sitä.

- ÄLÄ heitä näitä akkuja tavalliseen roskikseen.
- ÄLÄ polta.
- ÄLÄ aseta akkua paikkaan, josta se voi joutua kaatopaikalle tai kunnan muiden kiinteiden jätteiden joukkoon.
- Vie se sertifioituun kierrätys- tai hävityskeskukseen.

## AKKULATURI

### TEKNISET TIEDOT

82V laturi: EBSRC82

Otto: 230V ~ 50/60Hz, 2.5A

Lähtö: 82V = 4A

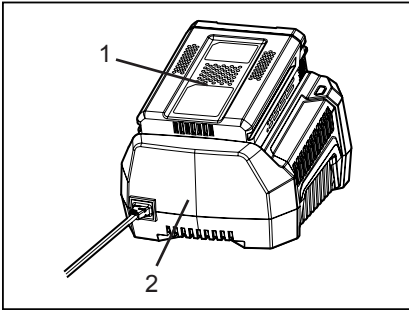
### LATAAMINEN

*HUOMAUTUS: Akku ei tule täysin ladattuna. Suositellaan, että akku ladataan täysin ennen käyttöä, jotta se kestää mahdollisimman*

## Suomi(Alkuperäisten ohjeiden käännös)

pitkään. Litiumioniakku ei kehitä muistiilmiötä, ja se voidaan ladata milloin tahansa.

1. Kytke laturi vaihtovirtapistorasiaan.
2. Aseta akku (1) laturiin (2).



Tämä on diagnostinen laturi. Laturin merkkivalot syttyvät tietyssä järjestyksessä, ilmoittaen akun senhetkisen tilan. Tilat ovat seuraavat:

MERKKIVALON TILA	KUVAUS
Vilkkuva vihreä	Lataus käynnissä
Tasainen vihreä	Täysin ladattu
Tasainen punainen	Ylikuumentunut
Vilkkuva punainen	Latausvirhe

Virheellinen vikailmoitus:

Kun akku on kytketty laturiin ja tilan merkkivalo vilkkuu, irrota akku laturista noin 1 minuutiksi ja laita se sitten takaisin. Jos tilan merkkivalo ilmoittaa normaalia, akku on kunnossa. Jos tilan merkkivalo vilkkuu yhä, irrota akku ja irrota laturi pistorasiasta. Odota 1 minuutti ja kytke laturi takaisin pistorasiaan ja aseta akku takaisin. Jos tilan merkkivalo ilmoittaa normaalia, akku on kunnossa. Jos tilan merkkivalo vilkkuu yhä, akku on viallinen ja on vaihdettava.

**HUOMAUTUS:** Kun punainen merkkivalo välkky, irrota akku laturista ja aseta se takaisin 2 tunnin päästä. Jos merkkivalo osoittaa akun latautuvan, akku on kunnossa. Vedä akku irti 2 tunnin kuluttua ja irrota myös laturin pistoke 1 minuutiksi pistorasiasta ja kytke molemmat sitten takaisin. Jos merkkivalo osoittaa akun latautuvan, akku on kunnossa. Jos ei, akku on ladattava.

### LATAUKSEN TARKISTAMINEN

Jos akku ei lataannu kunnolla:

- Tarkista pistorasia toisella laitteella. Varmista, että pistorasiasta ei ole kytketty pois käytöstä.
- Tarkista, että laturin navat eivät ole oikosulussa roskien tai vierasmateriaalien takia.
- Jos ympäristön ilman lämpötila ei ole normaalissa huoneenlämpötilassa, siirrä laturi ja akku paikkaan, jossa lämpötila on välillä 6 °C - 40 °C.

### ⚠ VAROITUS

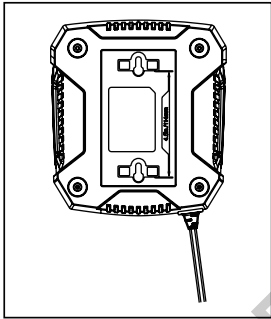
Jos akku laitetaan laturiin lämpimänä tai kuumana, laturin LATAUKSEN merkkivalo voi syttyä ja palaa PUNAINEN. Jos näin tapahtuu, anna akun jäähtyä irti laturista noin 30 minuuttia.



## Suomi(Alkuperäisten ohjeiden käännös)

### LATURIN ASENTAMINEN

1. Tämä laturi voidaan asentaa seinälle kahdella nro. 8 ruuvilla (ei mukana).
2. Päätä, minne laturi asennetaan.
3. Jos se kiinnitetään puupaaluihin, käytä 2 puuruuvia(ei mukana).
4. Poraa kaksi reikää, joiden keskipohdat ovat 114,3 mm:n päässä toisistaan, ja varmista, että ne ovat samalla tasolla pystysuunnassa.
5. Jos kiinnität sen kiviseinään(ei mukana), käytä kiinnitykseen ankkuripultteja.



**HUOMAUTUS:** Jos akkua ja laturia ei käytetä pitkään aikaan, irrota akku laturista ja irrota virtapistoke.

### TÄRKEITÄ TURVALLISUUSOHJEITA

1. SÄILYTÄ NÄMÄ OHJEET – VAARA: JOTTA TULIPALON JA SÄHKÖISKUN VAARA OLISI PIENEMPI, NOUDATA NÄITÄ OHJEITA.
2. Tarkista maassa käytetty jännite ennen laturi käyttöä.
3. Jos pistoke ei sovi pistorasiaan, käytä pistorasiassa asianmukaista sovitinta.

### TUOTTEEN ASIANMUKAINEN HÄVITTÄMINEN:



Tämä merkintä osoittaa, että tätä tuotetta ei saa hävittää EY:n alueella talousjätteiden kanssa. Jotta ympäristö ja ihmisten terveys ei kärsisi kontrolloimattomasta jätteiden hävittämisestä, kierrätä laite vastuullisesti, jolloin materiaalit voidaan käyttää uudelleen. Palauta laite palautus- tai keräysjärjestelmää käyttäen tai ota yhteys siihen jälleenmyyjään, jolta tuote hankittiin. Hän voi toimittaa tämän tuotteen ympäristöystävälliseen kierrätykseen.

### Käytettyjen paristojen ja akkujen irrottaminen



Jäsenvaltioiden on varmistettava, että valmistajat suunnittelevat laitteet sellaisiksi, että käytetyt paristot ja akut voi helposti irrottaa. Jäsenvaltioiden on varmistettava, että tapauksissa, joissa loppukäyttäjä ei voi vaivatta irrottaa paristoa tai akkua, valmistaja on suunnitellut laitteen siten, että valmistajasta riippumaton pätevä ammattilainen voi vaivatta irrottaa käytetyn pariston tai akun. Paristoja tai akkuja sisältäviin laitteisiin on liitettävä ohjeet, joista ilmenee, miten joko loppukäyttäjä tai riippumaton pätevä ammattilainen voi irrottaa kyseiset paristot tai akut turvallisesti. Ohjeissa on tarvittaessa ilmoitettava loppukäyttäjälle laitteeseen asennettujen paristojen tai akkujen laji.

## Français (Traduction à partir du mode d'emploi d'origine)

### BATTERIE

#### CARACTÉRISTIQUES

EBSB2AH82

Batterie : 72V  $\approx$  2.0AH, 144Wh, 82V Maxi

Tension par élément : 3.6V ; Nombre d'éléments : 20

Durée de charge : 30 min. (utilisez le Chargeur EBSRC82)

EBSB4AH82

Batterie : 72V  $\approx$  4.0AH, 288Wh, 82V Maxi

Tension par élément : 3.6V ; Nombre d'éléments : 40

Durée de charge : 60 min. (utilisez le Chargeur EBSRC82)

Pour une bonne utilisation, un bon entretien et un bon stockage de cette batterie, il est crucial que vous lisiez et compreniez les instructions présentes dans ce manuel.

Pour éviter de graves blessures, les risques d'incendie, d'explosion, et les décharges électriques ou électrocutions:

- N'INTRODUISEZ PAS de matériaux conducteurs dans le chargeur.
- Si le boîtier du pack batterie est fêlé ou endommagé, NE L'INTRODUISEZ PAS dans le chargeur. Remplacez-la par un pack batterie neuf.
- NE CHARGEZ PAS ces packs batterie avec un autre type de chargeur.
- NE LAISSEZ AUCUN liquide pénétrer dans le chargeur.
- NE TENTEZ PAS d'utiliser le chargeur dans tout autre but que celui décrit dans ce manuel.
- NE TENTEZ PAS de court-circuiter une quelconque borne du pack batterie.

#### ▲ AVERTISSEMENT

Si du liquide batterie entre en contact avec vos yeux, rincez-les immédiatement à l'eau claire pendant au moins 15 minutes. Contactez immédiatement un médecin. Ne chargez pas le pack batterie sous la pluie ou par conditions humides. Ne plongez pas l'outil, le pack batterie, ou le chargeur dans l'eau ni dans aucun autre liquide.

- Ne laissez pas le pack batterie ou le chargeur surchauffer. S'ils sont chauds, laissez-les refroidir. Ne procédez à la charge qu'à température ambiante.
- Ne couvrez pas les fentes de ventilations situées sur le dessus du chargeur. Ne posez pas le chargeur sur une surface souple, telle qu'une couverture ou un oreiller. Gardez les fentes de ventilation du chargeur dégagées.
- Ne laissez pas de petits éléments en métal ou des matériaux tels que la laine d'acier, du papier aluminium, ou autres particules étrangères pénétrer dans le chargeur.
- Débranchez le chargeur avant de le nettoyer et lorsqu'aucune batterie n'y est connectée.
- Ne mettez pas le pack batterie au soleil ou dans un environnement chaud. Gardez-le à température ambiante.
- Ne tentez de relier deux chargeurs ensemble.
- Gardez la batterie et le chargeur dans un endroit frais et sec, à l'abri du soleil, et chargez la batterie pendant 2 heures tous les 2 mois en cas de non-utilisation.
- Les éléments du pack batterie peuvent légèrement fuir lors d'une utilisation intensive ou sous des températures extrêmes. Si l'étanchéité extérieure est défaillante et que du liquide de la batterie entre en contact avec votre peau :
  - Lavez immédiatement au savon et à l'eau.
  - Neutralisez avec du jus de citron, du vinaigre, ou autre acide faible.
- En cas de pénétration de liquide dans vos

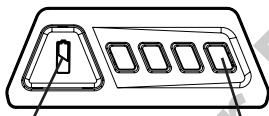
## Français (Traduction à partir du mode d'emploi d'origine)

yeux, suivez les instructions ci-dessus et contactez un médecin.

- Avant utilisation, vérifiez que la tension et le courant de sortie du chargeur de batterie correspondent au pack batterie à charger.
- N'utilisez pas le chargeur dans des circonstances telles que la Polarité de sortie ne corresponde pas à la polarité de la charge.
- Utilisation à l'intérieur uniquement.
- Le capot ne doit être ouvert en aucun cas. Si le capot est endommagé, le chargeur ne doit plus être utilisé.
- Ne rechargez pas les piles non rechargeables.

### VÉRIFICATION DE LA CHARGE DE LA BATTERIE

Appuyez sur le bouton de vérification de charge (BCI) de la batterie. Les voyants s'illumineront en fonction de du niveau de charge de la batterie. Reportez-vous au tableau ci-dessous :



CHARGE DE LA BATTERIE BOUTON INDICATEUR (BCI)

VOYANT LUMINEUX

Voyants	Capacité
4 Voyants Verts	La pile fonctionne à plus de 80% de sa capacité.
3 Voyants Verts	La pile fonctionne entre 80% et 60% de sa capacité.
2 Voyants Verts	La pile fonctionne entre 60% et 40% de sa capacité.
1 Voyants Verts	La pile fonctionne entre 40% et 25% de sa capacité.
Voyants éteints	La capacité résiduelle de la batterie est inférieure à 25%, il convient de la charger immédiatement.

### NOTES DE PRÉCAUTION ET DE SÉCURITÉ

1. Ne démontez pas la batterie.
2. Gardez les enfants à l'écart.
3. N'exposez pas la batterie à l'eau ou à l'eau salée, la batterie doit être rangée dans un endroit frais et sec.
4. Ne laissez pas la batterie dans un lieu où règne une température élevée, tel que près d'un feu, d'un radiateur, etc.
5. N'inversez pas le pôle positif et le pôle négatif de la batterie.
6. Ne connectez pas ensemble la borne positive et la borne négative de la batterie à l'aide de tout objet métallique.
7. Ne faites subir aucun choc à la batterie, et ne marchez pas dessus.
8. Ne soudez pas directement sur la batterie, et ne la perce pas à l'aide de clous ou autres objets pointus.
9. En cas de fuite de la batterie et de pénétration de son liquide dans vos yeux, ne frottez pas vos yeux. Rincez abondamment avec de l'eau. Cessez immédiatement toute utilisation de la batterie si, en cours de fonctionnement, celle-ci émet une odeur inhabituelle, semble chaude, change de couleur, de forme, ou présente une anomalie quelconque.

### ⚠ AVERTISSEMENT




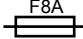
Pour éviter tout risque d'incendie, de décharge électrique, ou d'électrocution :

- N'utilisez pas de chiffon mouillé ou de détergent sur la batterie ou sur le chargeur.
- Retirez toujours le pack batterie avant toute opération de nettoyage, de vérification ou d'entretien de l'outil.

### NETTOYAGE

Essayez l'extérieur du chargeur à l'aide d'un chiffon et sec doux. Ne le lavez pas au jet et ne le lavez pas à l'eau.

## Français (Traduction à partir du mode d'emploi d'origine)

	Classe II Double isolation
	Utilisation à l'intérieur uniquement.
	Lisez les instructions avant de procéder à la charge
	Fusible

### ▲ AVERTISSEMENT

L'utilisation de cet appareil n'est pas destinée à des personnes (y compris les enfants) ayant des capacités physiques, mentales, sensorielles réduites ainsi que celles manquant d'expérience et de connaissances, à moins qu'elles ne soient sous la surveillance et les instructions d'une personne responsable de leur sécurité. Les enfants non surveillés ne doivent pas jouer avec cet appareil.

- Les enfants ne doivent pas jouer avec cet appareil.
- Tout nettoyage ou entretien ne doit pas être effectué par un enfant à moins que celui-ci soit surveillé par un adulte.
- Lorsque le cordon d'alimentation est endommagé, celui-ci doit être remplacé par le fabricant, son agent de service ou une personne qualifiée similaire afin de prévenir tout risque.

### MISE AU REBUT DE LA BATTERIE DE FAÇON ÉCOLOGIQUE



Les matériaux toxiques et corrosifs suivants se trouvent dans les éléments composant le pack batterie de cet outil :

Li-ion, a toxic material.

### ▲ AVERTISSEMENT

Tous les matériaux toxiques doivent être mis au rebut d'une manière particulière afin d'éviter de contaminer l'environnement. Avant de mettre au rebut des packs batterie Lithium-ion endommagés ou usés, contactez votre déchetterie locale, ou l'agence locale de protection de l'environnement pour obtenir des renseignements et des directives adaptés. Apportez les batteries à une déchetterie et/ou un centre de recyclage agréé pour le traitement du Li-ion.

### ▲ AVERTISSEMENT

Si le pack batterie se fend ou se casse, avec ou sans fuites, ne le rechargez pas et ne l'utilisez pas. Mettez-le au rebut et remplacez-le par un nouveau pack batterie. **NE TENTEZ PAS DE LE RÉPARER !**

Pour éviter tout risque de blessures et d'incendie, d'explosion, ou de décharge électrique, et pour éviter toute atteinte à l'environnement :

- Recouvrez les bornes de la batterie avec un ruban adhésif épais.
- **NE TENTEZ PAS** de démonter ou de détruire un quelconque composant de la batterie.
- **NE TENTEZ PAS** d'ouvrir le pack batterie.

### ▲ AVERTISSEMENT

■ Si une fuite se produit, l'électrolyte dégagé est corrosif et toxique. **NE METTEZ PAS** la solution en contact avec vos yeux ou avec votre peau, et ne l'avalez pas.

- **NE JETEZ PAS** ces batteries avec les ordures ménagères.
- **NE PAS** incinérer.
- **NE LES PLACEZ PAS** là où elles pourraient se retrouver à la décharge ou être traitées avec les ordures ménagères.
- Apportez-les à une déchetterie ou à un centre de recyclage agréé.

## Français (Traduction à partir du mode d'emploi d'origine)

### CHARGEUR DE BATTERIE

#### CARACTÉRISTIQUES

Chargeur 82V : EBSRC82

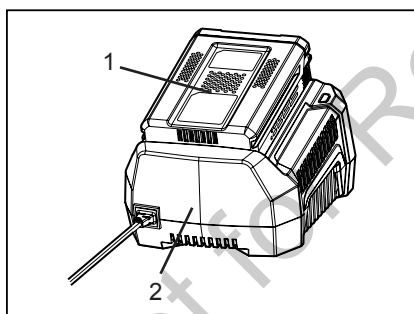
Entrée : 230V ~ 50/60Hz, 2.5A

Sortie : 82V = 4A

#### PROCÉDURE DE CHARGE

*NOTE : La batterie n'est pas livrée totalement chargée. Il est recommandé de la recharger totalement avant utilisation pour lui assurer une autonomie maximale. Cette batterie lithium-ion est exempte d'effet mémoire et peut être rechargée à tout moment.*

1. Branchez le chargeur dans une prise secteur.
2. Insérez le pack batterie (1) dans le chargeur (2).



Ce chargeur est équipé d'un dispositif de diagnostique. Les Voyants LED de Charge s'allumeront dans un ordre particulier pour vous renseigner sur l'état de la batterie. Leur comportement est le suivant :

ETAT DEL	DESCRIPTION
Vert clig notant	Chargement
Vert solide	Chargé entièrement
Rouge solide	Sur température
Rouge clignotant	Défaut de chargement

Indication de défectuosité :

Lors de l'insertion de la batterie dans le chargeur, si le voyant LED clignote, retirez la batterie du chargeur pendant 1 minute, puis rebranchez-la. Si le voyant LED indique un état normal alors le pack batterie est en bon état. Si le voyant LED clignote toujours, retirez le pack batterie et débranchez le chargeur. Attendez 1 minute avant de rebrancher le chargeur et de remettre le pack batterie en place. Si le voyant LED indique un état normal alors le pack batterie est en bon état. Si le voyant LED clignote toujours, alors le pack batterie est défectueux et doit être remplacé.

*NOTE : Lorsque le voyant vert clignote, retirez la batterie du chargeur et rebranchez-la dans un délai de 2 heures. Si le voyant indique que la batterie est en charge, alors cette dernière est en bon état. Au bout de 2 heures, veuillez retirer la batterie et débrancher le chargeur du secteur pendant 1 minute, puis branchez à nouveau le chargeur sur le secteur et la batterie dans le chargeur. Si le voyant indique que la batterie est en charge, alors cette dernière est en bon état. Dans le cas contraire, la batterie doit être remplacée.*

#### VÉRIFICATION DE LA CHARGE

Si le pack batterie ne se recharge pas correctement :

- Vérifiez la prise secteur à l'aide d'un autre appareil. Assurez-vous que le courant n'est pas coupé dans cette prise.
- Vérifiez que les contacts du chargeur ne sont pas court-circuités par des débris ou des objets étrangers.
- Si la température ambiante est inhabituelle, déplacez le chargeur et le pack batterie dans un lieu où la température est comprise entre 6 °C et 40°C.

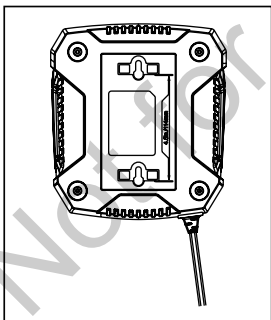
## Français (Traduction à partir du mode d'emploi d'origine)

### ▲ AVERTISSEMENT

Si la batterie est insérée dans le chargeur alors qu'elle est chaude ou très chaude, le VOYANT LED DE CHARGE est susceptible de s'illuminer en ROUGE. Si cela se produit, laissez la batterie refroidir après l'avoir débranchée pendant environ 30 minutes.

### MONTAGE DU CHARGEUR

1. Ce chargeur peut être installé en suspension sur un mur en utilisant deux vis #8 (non fourni).
2. Repérez l'emplacement où vous allez accrocher le chargeur.
3. Si l'emplacement est en bois, utilisez 2 vis à bois (non inclus).
4. Percez deux trous au centre à un intervalle de 114,3 mm en assurant qu'ils sont alignés verticalement.
5. Si l'emplacement est une cloison creuse (non inclus), utilisez des chevilles expansives pour fixer le chargeur au mur.



**NOTE :** Si vous n'utilisez pas la batterie et le chargeur pendant une longue période de temps, veuillez débrancher la batterie du chargeur et débranchez la prise du secteur.

### CONSIGNES DE SÉCURITÉ IMPORTANTES

1. CONSERVEZ CES INSTRUCTIONS - DANGER : POUR RÉDUIRE LES RISQUES D'INCENDIE OU DE DÉCHARGE ÉLECTRIQUE, SUIVEZ SCRUPULEUSEMENT CES INSTRUCTIONS.
2. Confirmez la tension secteur disponible dans chaque pays avant d'utiliser le chargeur.
3. Si les broches de la fiche secteur ne rentrent pas dans la prise, utilisez un adaptateur correspondant à la configuration de la prise secteur.

### MISE AU REBUT CORRECTE DE CE PRODUIT :



Ce logo signifie que cet appareil ne doit pas être jeté avec les ordures ménagères au sein de l'Union Européenne. Afin d'éviter toute atteinte à l'environnement ou à la santé humaine due à une mise au rebut non contrôlée, recyclez cet appareil de façon responsable pour promouvoir la revalorisation des matières premières. Pour vous débarrasser de votre appareil usagé, veuillez le retourner à un centre de tri ou contactez le revendeur qui vous l'a vendu. Ils seront à même de prendre en charge le recyclage de cet appareil de façon écologique.

**Français (Traduction à partir du mode d'emploi d'origine)****Mise au rebut des piles et accumulateurs**

Les états-membres doivent s'assurer que les appareils soient conçus par les fabricants de manière à ce que les batteries et accumulateurs puissent rapidement être retirés de l'appareil. Lorsque ceux-ci ne peuvent pas être retirés par l'utilisateur final. Les états-membres doivent s'assurer que les appareils soient conçus par les fabricants de manière à ce que les batteries et accumulateurs puissent rapidement être retirés du corps de l'appareil par des professionnels qualifiés indépendants du fabricant. Les équipements hébergeant ces batteries et accumulateurs doivent être dotés d'instructions sur le manière de retirer en toute sécurité ces piles et accumulateurs par l'utilisateur final ou un professionnel qualifié. S'il y a lieu les instructions doivent également informer l'utilisateur final des types de batteries ou accumulateurs logés dans l'appareil.

## Hrvatski(Prijevod izvornih uputa)

### BATERIJA

#### KARAKTERISTIKE

##### EBSB2AH82

Baterija: 72V  $\approx$  2.0AH, 144Wh, 82V Maks

Napon svakog galvanskog članka: 3.6V ; Broj galvanskih članaka: 20

Vrijeme trajanja punjenja: 30 min. (koristite punjač EBSRC82)

##### EBSB4AH82

Baterija: 72V  $\approx$  4.0AH, 288Wh, 82V Maks

Napon svakog galvanskog članka: 3.6V ; Broj galvanskih članaka: 40

Vrijeme trajanja punjenja: 60 min. (koristite punjač EBSRC82)

Za pravilno korištenje, održavanje i pohranu baterije, važno je pročitati i razumjeti upute u ovom priručniku.

Kako biste izbjegli ozbiljne ozljede, opasnost od požara, opasnosti od eksplozije i opasnosti od udara električne energije i stvaranja električnog luka:

- NE ispitujte punjač provodljivim materijalima.
- Ako je kutija u kojoj se nalazi baterija polomljena ili oštećena, NE stavljajte je u punjač. Zamijenite je novom baterijom.
- Za punjenje ovih baterija NE koristite druge punjače.
- NE dopustite da tekućina prodre unutar punjača.
- NE koristite punjač u svrhe koje nisu navedene u ovom priručniku.
- NE pokušavajte povezivati u kratki spoj polove baterije.

#### ▲ UPOZORENJE

Ako tekućina iz baterije dođe u dodir s očima, odmah ih isperite čistom vodom i ispirajte ih barem 15 minuta. Odmah se obratite liječniku. Baterije ne punite na kiši ili u vlažnim sredinama. Ne stavljajte uređaj, bateriju ili punjač u vodu ili druge tekućine.

- Nemojte dopustiti da se baterija ili punjač pregriju. Ako je topla, omogućite da se ohladi. Ponovno punite samo na sobnoj temperaturi.
- Nemojte pokrivati otvore za ventilaciju na gornjem dijelu punjača. Nemojte postavljati punjač na meku površinu npr. deku ili jastuk. Držite otvore ventilacije punjača čistim.
- Nemojte pustiti da metalni predmeti ili materijali poput čelične vune, aluminijske folije ili duge strane čestice dospiju u kućište punjača.
- Isključite punjač prije čišćenja i kada nema baterije u punjaču.
- Nemojte postavljati bateriju na sunce ili u okruženje topline. Čuvajte na normalnoj sobnoj temperaturi.
- Nemojte pokušavati spojiti dva punjača zajedno.
- Čuvajte u sjenovitim, hladnim i suhim uvjetima, ako baterija nije punjena za dulje vrijeme, punite bateriju 2 sata svakih 2 mjeseca.
- Baterija može proizvesti malo procuriti tijekom ekstremnog korištenja ili uslijed temperaturnih uvjeta. Ako je vanjska brtva slomljena i istjecanje doprije na vašu kožu.
  - Koristite sapunicu za trenutno ispiranje.
  - Neutralizirajte s limunovim sokom, octom ili drugom blagom kiselinom.
- Ako istjecanje doprije u vaše oči, slijedite gornje upute i potražite medicinsku pomoć.
- Prije korištenja provjerite ako su izlazni napon i struja punjača baterije prikladni za



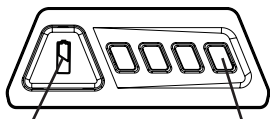
## Hrvatski(Prijevod izvornih uputa)

punjenje baterije.

- Nemojte koristiti u slučaju da izlazni polaritet ne odgovara polaritetu opterećenja.
- Samo za korištenje u zatvorenom.
- Pokrov ni pod kojim uvjetima ne smije biti otvoren. Ako je pokrov oštećen, punjač se ne smije više koristiti.
- Nemojte ponovno puniti nepunjive baterije.

### PROVJERA STANJA NAPUNJENOSTI BATERIJE

Pritisnite indikator napunjenosti baterije (BCI). Ovisno od razine napunjenosti baterije, upaliti će se svjetla. Pogledajte donji dijagram:



TIPKA INDIKATOR      MJERENJE  
NAPUNJENOSTI  
BATERIJE (INB)

Svjetla	Stanje napunjenosti
4 zelena svjetla	Napunjenost baterije je veća od 80%
3 zelena svjetla	Napunjenost baterije je između 80% i 60%
2 zelena svjetla	Napunjenost baterije je između 60% i 40%
1 zeleno svjetlo	Napunjenost baterije je između 40% i 25%
Svjetla se gase	Napunjenost baterije je manja od 25%. Bateriju treba odmah napuniti.

### SIGURNOSNE NAPOMENE I MJERE OPREZA

1. NE rastavljajte bateriju.
2. Držite izvan dohvata djece.
3. Bateriju NE izlažite slanoj ili slatkoj vodi, pohranite je na hladnom i suhom mjestu.
4. Bateriju NE stavlajte blizu suviše toplih mjesta na primjer u blizini vatre ili radijatora.
5. NE mjenjajte pozitivni i negativni pol baterije.
6. NE povežite polove baterije, negativni i pozitivni, s metalnim predmetima.
7. Bateriju NEMOJTE udarati niti gaziti nogama.
8. Na bateriji NEMOJTE obavljati zavarivanje, NEMOJTE je bušiti čavlima ili drugim oštrim predmetima.
9. Ako iz baterije curi tekućina i ako ona dođe u kontakt s očima, nemojte ih trljati i temeljno ih isperite vodom. Prekinite uporabu baterije ako ona ima neuobičajen miris, ako se pregrijava, menja boju/oblik i ako ima neuobičajen izgled.

### ▲ UPOZORENJE

Kako bi se izbjegla opasnost od požara ili strujnog udara:

- Bateriju i punjač ne perite vlažnim krpama ili deterdžentom.
- Prije čišćenja, kontrole i obavljanja održavanja uređaja, uvijek iz njega izvadite bateriju.

### ČIŠĆENJE

Punjač čistite mekom i suhom krpom izvana. Ne ispirajte pumpom i ne čistite vodom.

	Klasa II Dupla izolacija
	Samo za unutarnju uporabu
	Prije punjenja pročitajte upute
	Osigurač

## Hrvatski(Prijevod izvornih uputa)

### ▲ UPOZORENJE

Uređaj nije namijenjen za korištenje od strane osoba (uključujući djecu) sa smanjenim tjelesnim, osjetilnim ili metalnim mogućnostima, ili osobama bez iskustva i znanja, osim ako nisu pod nadzorom ili rade po uputama. Djecu treba nadzirati da se ne igraju s uređajem.

- Djeca se ne smiju igrati s uređajem.
- Čišćenje i održavanje ne smiju raditi djeca bez nadzora.
- Ako je kabel za napajanje oštećen mora ga zamijeniti proizvođač, njegov servisni agent ili slična kvalificirana osoba kako bi se izbjegla opasnost.

### EKOLOŠKI ODGOVARAJUĆE ZBRINJAVANJE BATERIJE



Unutar baterije koju koristi ovaj uređaj nalaze se sledeće otrovne i korozivne tvari:

Litijevi ioni su otrovni.

### ▲ UPOZORENJE

Svi otrovni materijali moraju se zbrinuti na odgovarajući način kako bi se spriječilo zagađenje okoliša. Prije odlaganja i zbrinjavanja oštećene ili polomljene litijonske baterije, obratite se lokalnom poduzeću za odlaganje otpada ili lokalnoj službi za zaštitu okoliša kako biste dobili dodatne informacije i specifične upute o odlaganju ove vrste otpada. Baterije odnesite u centar za recikliranje i/ili zbrinjavanje koji je ovlašten za odlaganje materijala koji u sebi sadže litijske ione.

### ▲ UPOZORENJE

Ako baterija napukne ili pukne, sa ili bez gubitka tekućine, nemojte ju puniti niti koristiti. Zbrinite i zamenite ju novom. **NE POKUŠAVAJTE JU POPRAVITI!**

Kako biste izbjegli ozljede i opasnost od požara, eksplozija ili strujnog udara i zagađenja okoliša:

- Polove baterije pokrite otpornom samolijepljivom trakom.
- NE pokušavajte uklanjati ili uništavati bilo koji dio baterije.
- NE pokušavajte otvoriti bateriju.

### ▲ UPOZORENJE

■ Elektroliti koji se nalaze u ispuštenoj tekućini baterije su korozivni i otrovni. Obratite pozornost da tekućina NE dođe u dodir s očima, kožom, a pogotovo ju nemojte gutati.

- Baterije NE bacajte u kućevno smeće.
- NE spaljujte.
- NE ostavljajte baterije na mjestima koji mogu postati dio prostora za odlaganje lokalnog otpada ili komunlanog otpada.
- Baterije odnesite u ovlaštenu centar za reciklažu.

## PUNJAČ ZA BATERIJE

### KARAKTERISTIKE

Punjač od 82V: EBSRC82

Ulaz: 230V ~ 50/60Hz, 2.5A

Izlaz: 82V = 4A

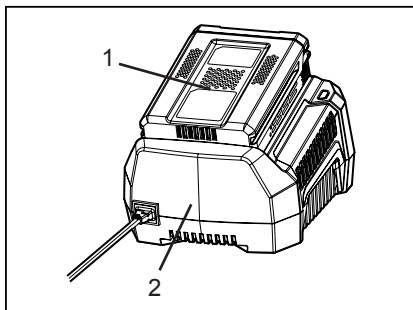
### POSTUPAK PUNJENJA

*NAPOMENA: Isporučena baterija nije u potpunosti puna. Preporučujemo da ju napunite prije uporabe kako biste osigurali maksimalno vrijeme rada. Litij-ionska baterija*

## Hrvatski(Prijevod izvornih uputa)

nema memoriju te se stoga može puniti u bilo kom trenutku.

1. Priključite punjač na strujnu utičnicu.
2. Umetnite bateriju (1) u punjač (2).



Ovaj punjač također prikazuje i radno stanje baterije. LED svjetla punjača se pale određenim redoslijedom i na taj način obavještavaju korisnika o trenutnom stanju baterije. Stanje baterije ovisno od upaljenog svjetla:

STANJE LED ŽARULJICE	OPIS
Trepće zelenim svjetlom	Puni se
Stalno svijetli zelenim svjetlom	Potpuno napunjena
Stalno svijetli crvenim svjetlom	Previsoka temperatura
Trepće crvenim svjetlom	Greška u punjenju

Svjetlo pokazuje lažni kvar:

Ako LED svjetlo trepti kada umetnete bateriju u punjač, izvadite je na 1 minut, a zatim je vratite. Ako LED svjetlo pokazuje "normalno" stanje, znači da je baterija ispravna. Ako LED svjetlo ponovno trepti, izvadite bateriju i iskopčajte punjač. Sačekajte 1 minut, ponovno priključite punjač i umetnite bateriju. Ako LED

svjetlo pokazuje "normalno" stanje, znači da je baterija ispravna. Ako LED svjetlo idalje trepti, znači da je baterija neispravna i da ju morate zamijeniti.

**NAPOMENA:** Kada trepti crveni indikator, izvadite bateriju i ponovno ju umetnite u roku od 2 sata. Ako indikator pokazuje da se baterija puni, znači da je u najboljem mogućem stanju. Nakon 2 sata, izvadite bateriju i izvadite punjač iz utičnice na 1 minut te ga ponovno uključite u utičnicu i umetnite bateriju. Ako indikator pokazuje da se baterija puni, znači da je u najboljem mogućem stanju. U suprotnom, potrebno ju je zamijeniti.

### PROVJERA RADA PUNJAČA

Ako se baterija ne puni ispravno:

- Posebnim alatom provjerite izlaznu struju. Uvjerite se da utičnica nije izdvojena iz struje.
- Provjerite da nečistoća ili drugi materijali nisu izazvali kratki spoj na kontaktima punjača.
- Ako temperatura zraka nije odgovarajuća, premjestite punjač i bateriju u prostor čija je temperatura između 6 °C i 40 °C stupnjeva.

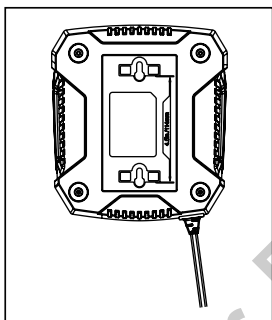
### ▲ UPOZORENJE

Ako u punjač umetnete vruće ili pregrijane baterije, LED indikator za PUNJENJE na punjaču može biti CRVENA boje. Ako do toga dođe, ostavite da se baterija ohladi oko 30 minuta izvan punjača.

## Hrvatski(Prijevod izvornih uputa)

### MONTIRANJE PUNJAČA

1. Ovaj punjač može se postaviti na zid pomoću dva vijka #8 (nisu isporučeni).
2. Izaberite mjesto na zidu gdje želite postaviti punjač.
3. Za montiranje na zidu koristite 2 za to pogodna vijka (nisu isporučeni).
4. Probušite dva otvora u sredini, na udaljenosti od 114,3 mm i uvjerite se da su okomito poravnati.
5. Za montiranje na gipsanim ploham koristite ankere (nisu isporučeni) i vijke za zid kako biste pričvrstili punjač.



*NAPOMENA: Ako punjač i bateriju ne koristite duže vrijeme, izvadite bateriju iz punjača i punjač iskopčajte iz strujne utičnice.*

### VAŽNI SIGURNOSNI UPUTI

1. SAČUVAJTE OVE UPUTE OPASNOST: KAKO BI SE SMANJIO RIZIK OD POŽARA ILI STRUJNOG UDARA, VAŽNO JE PAŽLJIVO SLIJEDITI OVE UPUTE.
2. Prije uporabe punjača provjerite napon dostupan u svakoj zemlji korištenja.
3. Ako oblik utikača ne odgovara utičnici, koristite adapter priključka utikača za pravilnu konfiguraciju utičnice.

### PRAVILNO ZBRINJAVANJE PROIZVODA:



Ova oznaka naznačuje da se ovaj proizvod ne smije odlagati s ostalim kućanskim otpadom u cijeloj EU. Kako biste spriječili moguće štete za prirodno okruženje ili ljudsko zdravlje od nekontroliranog zbrinjavanja otpada, odgovorno ga reciklirajte kako biste promicali održivu ponovnu upotrebu materijalnih resursa. Za vraćanje vašeg korištenog uređaja molimo vas da koristite postojeće sustave za vraćanje i prikupljanje ili kontaktirajte vašeg prodavača gdje je uređaj kupljen. Oni mogu uzeti ovaj uređaj za ekološki sigurno recikliranje.

### Uklanjanje otpadnih baterija i akumulatora



Države članice osiguravaju da proizvođači dizajniraju uređaje na način da se otpadne baterije i akumulatori mogu lako ukloniti. Kada se ne mogu lako ukloniti od strane krajnjeg korisnika: Države članice osiguravaju da proizvođači dizajniraju uređaje na način da se otpadne baterije i akumulatori mogu lako ukloniti od strane kvalificiranih stručnjaka koji su neovisni o proizvođaču. Uređaji u kojima su baterije i akumulatori ugrađeni moraju imati upute kako se te baterije i akumulatori mogu sigurno ukloniti od strane krajnjeg korisnika ili neovisnih kvalificiranih stručnjaka. Kad je to moguće, upute trebaju informirati krajnjeg korisnika o vrsti baterije ili akumulatoru ugrađenom u uređaj.

## Magyar (Az eredeti útmutató fordítása)

## AKKUMULÁTOR

## MŰSZAKI ADATOK

EBSB2AH82

Akkumulátor: 72V  $\approx$  2.0AH, 144Wh, 82V Max  
Feszültség cellánként: 3.6V ; Cellák száma: 20  
Töltési idő: 30 min. (használja a EBSRC82)

EBSB4AH82

Akkumulátor: 72V  $\approx$  4.0AH, 288Wh, 82V Max  
Feszültség cellánként: 3.6V ; Cellák száma: 40  
Töltési idő: 60 min. (használja a EBSRC82)

Az akkumulátor helyes használatához, karbantartásához és tárolásához feltétlenül szükséges, hogy elolvassa és megértse a kézikönyvben tartalmazott utasításokat.

A súlyos sérülések, tüzeset, robbanás valamint az áramütés és az elektromos kisülés elkerülése érdekében:

- NE szúrjon a töltőbe elektromosságot vezető anyagot.
- Amennyiben az akkumulátoregység tartója törött vagy sérült, NE tegye a töltőbe. Cserélje ki az akkumulátoregységet.
- Az akkumulátoregységet NE töltsé másmilyen töltővel.
- Ügyeljen arra, hogy NE kerüljön folyadék a töltő belsejébe.
- NE használja a töltőt a kézikönyvben feltüntetettől eltérő célra.
- NE zárja rövidre az akkumulátoregység saruit.

## ▲ FIGYELEM

Amennyiben az akkumulátorfolyadék szembe kerül, haladéktalanul mossa ki a szemét tiszta vízzel legalább 15 percig. Haladéktalanul forduljon orvoshoz. Ne töltsé az akkumulátoregységet esőben vagy nedves helyen. Ne merítse vízbe vagy más folyadékba a szerszámot, az akkumulátoregységet vagy a töltőt.

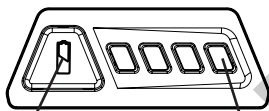
- Ne hagyja túlmelegedni az akkumulátort vagy a töltőt. Ha felmelegedtek, hagyja lehűlni azokat. Csak szobahőmérsékleten töltsé fel az akkumulátort.
- Ne takarja le a töltő tetején lévő szellőzőnyílásokat. Ne helyezze a töltő puha felületre, pl. takaró, párna. Tartsa tisztán a töltő szellőzőnyílásait.
- Ne hagyja, hogy apró fémdarabok vagy anyagok, mint az acélgyapot, alufólia vagy egyéb idegen anyagok kerüljenek a töltő üregébe.
- Tisztítás előtt, vagy ha nincs akkumulátor a töltőben, húzza ki a töltőt.
- Ne tegye ki az akkumulátort a napra vagy meleg környezetbe. Normál szobahőmérsékleten tartsa.
- Ne próbáljon egymáshoz csatlakoztatni két töltőt.
- Tartsa árnyékos, hűvös és száraz helyen, ha hosszabb ideig nem tölti az akkumulátort; 2 havonta töltsé 2 órán át az akkumulátort.
- Az akkumulátor celláiból extrém használat vagy hőmérsékleti feltételek esetén némi folyadék szivároghat ki. Ha a külső tömítés sérült és a szivárgó anyag a bőrére kerül.
  - Azonnal mossa le szappannal és vízzel.
  - Semlegesítse citromlével, ecettel vagy más enyhe savval.
- Ha a szivárgó anyag a szemébe kerül, kövesse a fenti utasításokat, és forduljon orvoshoz.

## Magyar (Az eredeti útmutató fordítása)

- Használat előtt ellenőrizze, hogy az akkumulátortöltő kimeneti feszültsége és áramerőssége megfelelő legyen az akkumulátorhoz.
- Ne használja a töltő abban az esetben, ha a kimeneti polaritás nem egyezik meg a terhelés polaritásával.
- Csak beltéri használatra.
- A fedél semmilyen körülmények között nem nyitható ki. Ha a fedél megsérült, azután a töltő már nem használható.
- Ne töltsé újra a nem tölthető elemeket.

### AKKUMULÁTOR TÖLTÉSÉNEK ELLENŐRZÉSE

Nyomja meg az Akkumulátortöltésmutató (BCI) gombot. A fények az akkumulátor töltésének megfelelően gyulladnak ki. Lásd a következő sémát:



AKKUMULÁTOR TÖLTŐ MÉRÉS  
JELZŐ GOMB (ICB)

Jelzőfény	Töltöttség
4 zöld fény	Az akkumulátor töltése meghaladja a 80%-ot.
3 zöld fény	Az akkumulátor töltése 80% és 60% között van.
2 zöld fény	Az akkumulátor töltése 60% és 40% között van.
1 zöld fény	Az akkumulátor töltése 40% és 25% között van.
A fények kialszanak	Az akkumulátor töltése 25%-nál alacsonyabb. Az akkumulátort azonnal fel kell tölteni.

### BIZTONSÁGI MEGJEGYZÉSEK ÉS ÓVINTÉZKEDÉSEK

1. NE szerelje szét az akkumulátort.
2. Gyermekektől elzárva tárolja.
3. NE érje sós- vagy édesvíz az akkumulátort, tárolja száraz, hűvös helyen.
4. NE tegye az akkumulátort túlságosan meleg helyre, mint tűz, fűtőtest stb. közelébe.
5. NE cserélje fel az akkumulátor negatív és pozitív saruját.
6. Az akkumulátor pozitív és negatív saruja NE érintkezzen fémtárgyakkal.
7. NE üsse meg, ütögesse, és ne lépjen az akkumulátorra.
8. Az akkumulátort NE hegessze, és ne szúrjon bele szöveget vagy más hegyes tárgyat.
9. Amennyiben az akkumulátorfolyadék szivárog, és a folyadék szembe kerül, ne dörzsölje meg a szemét, hanem alaposan öblítse ki vízzel. Ne használja az akkumulátort, ha szokatlan szagokat érez, ha túlmelegszik, vagy megváltozik a színe/formája, és kinézete a szokványostól eltér.

### ▲ FIGYELEM




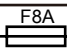
A tüzeset, áramütés és elektromos kisülés megelőzése érdekében:

- Ne érjen nedves vagy tisztítószerrel átitatott ruhával az akkumulátorhoz vagy az akkumulátortöltőhöz.
- Mielőtt megtisztítaná, megvizsgálná vagy elvégezné a szerszám karbantartását, mindig távolítsa el az akkumulátoregységet.

### TISZTÍTÁS

A töltő külsejét száraz puha ruhával tisztítsa. Szivattyúval ne öblítse le, és ne tisztítsa vízzel.

## Magyar (Az eredeti útmutató fordítása)

	II osztály Kétszeres szigetelés
	Csak beltéri használatra
	Töltés előtt olvassa el a használati utasítást
	Olvadóbiztosító

### ▲ FIGYELEM

A készüléket nem használhatják csökkent fizikai, érzékelési vagy értelmi képességű személyek (a gyerekeket is beleértve), vagy akiknek nincs meg a tapasztalatuk és tudásuk ehhez, kivéve, ha a oktatást kaptak vagy a használat közben felügyelik őket. A gyerekekre felügyelni kell, hogy nem játszhatnak a készülékkel.

- Gyerekek nem játszhatnak a készülékkel.
- A tisztítást és a felhasználó által végzendő karbantartást gyerekek felügyelet nélkül nem végezhetik.
- Ha a tápkábel megsérült, azt a veszély elkerülése érdekében a gyártónak, szervizének illetve más szakképzett személynek kell kicserélnie.

## AKKUMULÁTOR KÖRNYEZETTUDATOS ÁRTALMATLANÍTÁSA



A szerszámhoz használt akkumulátoregységben a következő mérgező és maró anyagok találhatóak:

Lítium-ion - mérgező anyag.

### ▲ FIGYELEM

Az összes mérgező anyagot úgy kell ártalmatlanítani, hogy elkerülje a környezetszennyezést. A tönkrement vagy megsérült lítium-ionos akkumulátoregységek ártalmatlanítása előtt érdeklődjön az ártalmatlanítására vonatkozó utasításokról a helyi hulladékkezelő vagy környezetvédelmi ügynökségnél. Az akkumulátorokat vigye olyan tanúsítvánnyal rendelkező hulladékudvarba, amely alkalmas a lítiumionot tartalmazó anyagok kezelésére.

### ▲ FIGYELEM

Amennyiben az akkumulátoregység megreped, vagy eltörik, attól függetlenül, hogy észlelt-e folyadékszivárgást, soha ne töltsé újra, és ne használja többet. Ártalmatlanítsa, és használjon új akkumulátoregységet. **NE KÍSÉRELJE MEG A JAVÍTÁST!**

A sérülések, tüzeset, robbanás vagy áramütés valamint a környezetszennyezés megelőzése érdekében:

- Ragassza le az akkumulátorsarukat erős ragasztószalaggal.
- NE kísérelje meg az akkumulátoregység bármelyik alkotóegységét eltávolítani vagy megsemmisíteni.
- NE kísérelje meg az akkumulátoregységet kinyitni.

### ▲ FIGYELEM

- Az akkumulátorfolyadék esetleges szivárgása esetén kikerülő elektrolit maró és mérgező hatású. Ügyeljen arra, hogy a folyadék ne kerüljön szembe, bőrre, és különösen arra, hogy ne nyelje le.
- Ne dobja az akkumulátort a kommunális hulladékba.
- NE égesse el.
- NE tegye olyan helyre az akkumulátort, ahol összekeveredhet a szemétkerakóval vagy a szilárd kommunális hulladékkal.
- Vigye felhatalmazott hulladékudvarba.

## Magyar (Az eredeti útmutató fordítása)

# AKKUMULÁTORTÖLTŐ

## MŰSZAKI ADATOK

82V-os töltő: EBSRC82

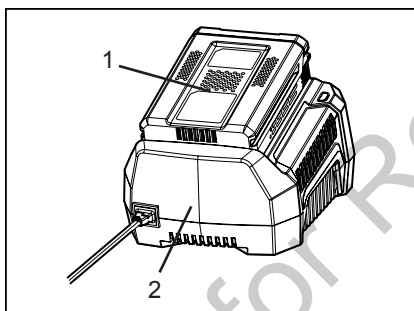
Bemenet: 230V ~ 50/60Hz, 2.5A

Kimenet: 82V = 4A

## TÖLTÉS

**MEGJEGYZÉS:** Az akkumulátort nem teljesen feltöltve szállítjuk. Használat előtt feltöltse, hogy maximális idejű használatot biztosítson. A lítium-ionos akkumulátornak nincsen memóriája, bármikor fel lehet tölteni.

1. Csatlakoztassa a töltőt egy váltakozó áramú csatlakozó aljzatba.
2. Helyezze az akkumulátoregységet (1) a töltőbe (2).



Ez a töltő egyben diagnosztikai funkcióval is rendelkezik. A töltő LED jelzőfényei meghatározott sorrendben kigyulladva jelzik az akkumulátor jelenlegi állapotát. Akkumulátor töltöttsége a jelzőfények szerint:

LED ÁLLAPOTA	LEÍRÁS
Villogó zöld	Töltés alatt
Folyamatosan világító zöld	Teljesen feltöltve
Folyamatosan világító piros	Túl magas hőmérséklet
Blinking Red	Töltési hiba

A jelzőfény téves meghibásodást jelez:

Amikor az akkumulátort beteszi a töltőbe, és az állapotjelző LED villog, vegye ki az akkumulátort 1 percre a töltőből, majd tegye vissza. Amennyiben az állapotjelző LED „normál” jelzést ad, az akkumulátoregység működőképes. Amennyiben a LED ismétellen villog, vegye ki az akkumulátoregységet, és húzza ki a töltőt. Várjon 1 percet, ismétellen csatlakoztassa a töltőt, és tegye vissza az akkumulátoregységet. Amennyiben az állapotjelző LED „normál” jelzést ad, az akkumulátoregység működőképes. Amennyiben a LED továbbra is villog, az akkumulátoregység hibás, ki kell cserélni.

**MEGJEGYZÉS:** Amikor a piros kijelző villog, vegye ki az akkumulátort a töltőből, és tegye vissza 2 órán belül. Amennyiben a kijelző töltést jelez, az akkumulátor optimális állapotban van. 2 óra után vegye ki az akkumulátort, és húzza ki a váltakozó áramú csatlakozó aljzatról a töltőt 1 percre, majd ismétellen csatlakoztassa, és tegye be az akkumulátoregységet. Amennyiben a kijelző töltést jelez, az akkumulátor optimális állapotban van. Ellenkező esetben az akkumulátort ki kell cserélni.

## TÖLTŐ ELLENŐRZÉSE

Amennyiben az akkumulátoregység nem töltődik fel megfelelően:

- Ellenőrizze egy másik szerszámmal a kimeneti áramerősséget. Győződjön meg arról, hogy a csatlakozó aljzat ne legyen szigetelve.
- Ellenőrizze, hogy a töltő érintkezéseinek legyen a törmelékek vagy más anyag miatt kialakult rövidzárlat.
- Amennyiben a levegő hőmérséklete nem szokványos, helyezze át a töltőt és az akkumulátoregységet olyan helyiségbe, ahol a hőmérséklet 6°C és 40°C között van.

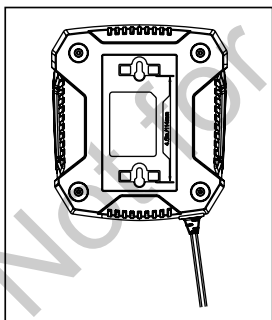


**Magyar (Az eredeti útmutató fordítása)****▲ FIGYELEM**

Amennyiben melegen vagy túlmelegedve teszi az akkumulátort a töltőbe, előfordulhat, hogy a töltőn a TÖLTÉS visszajelző LED PIROS világít. Amennyiben ez történik, hagyja az akkumulátort a töltőn kívül hűlni körülbelül 30 percig.

**TÖLTŐ ÖSSZESZERELÉSE**

1. A töltőt két csavarral #8 (nem tartalmazza a csomag) falra lehet szerelni.
2. Válassza ki, hova szeretné felszerelni a töltőt.
3. Amennyiben fára szereli, 2 ilyen célra alkalmas csavart használjon (nem tartalmazza a csomag).
4. Készítsen két furatot közepén 114.3 mm-es távolságra, ügyeljen arra, hogy függőleges irányban egybeessenek.
5. Amennyiben gipszkartonra szereli, falra rögzítéshez szükséges csavarokat és rögzítőket használjon.



**MEGJEGYZÉS:** Amennyiben az akkumulátort és a töltőt huzamos ideig nem használja, vegye ki az akkumulátort a töltőből, és húzza ki a töltőt a váltakozó áramú csatlakozó aljzatból.

**FONTOS BIZTONSÁGI UTASÍTÁSOK**

1. ŐRIZZE MEG A HASZNÁLATI UTASÍTÁSTVESZÉLY: A TŰZVAGY RAMŰTÉS VESZÉLYÉNEK SÖKKENTÉSE ÉRDEKÉBEN IGYELMESEN TARTSA BE AZ TASÍTÁSOKAT.
2. A töltő használata előtt, győződjön meg az egyes országokban rendelkezésre álló hálózati feszültségről.
3. Ha a dugasz villái nem illeszkednek az aljzatba, használjon egy a hálózati aljzatnak megfelelő csatlakozódugasz adaptert.

**A TERMÉK MEGFELELŐ ÁRTALMATLANÍTÁSA:**

Ez a jelzés azt mutatja, hogy a terméket az EU-ban nem szabad más háztartási hulladékkal együtt kidobni. A nem ellenőrzött hulladékmegsemmisítés környezetre vagy az emberi egészségre esetlegesen gyakorolt negatív hatását megelőzendő felelősségtudattal gondoskodjon az újrafeldolgozásról, hogy elősegítse az anyagi források újrahasznosítását. A használt készülék visszajuttatásához vegye igénybe a visszaviteli és gyűjtési rendszert, vagy lépjen kapcsolatba azzal az eladóval akinél a terméket vásárolta. Ők eljuttathatják a terméket a környezetre ártalmatlan újrahasznosítási helyre.

**Magyar (Az eredeti útmutató fordítása)****Használt elemek és akkumulátorok eltávolítása**

A tagállamoknak biztosítaniuk kell, hogy a gyártók úgy alakítsák ki a berendezéseket, hogy a használt elemek és akkumulátorok könnyen eltávolíthatók legyenek. Ahol nem távolíthatók el könnyen a végfelhasználó által, a tagállamoknak biztosítaniuk kell, hogy a gyártók úgy alakítsák ki a berendezéseket, hogy a használt elemek és akkumulátorok a gyártótól független szakképzett szakemberek által is könnyen eltávolíthatók legyenek. A beépített elemekkel és akkumulátorokkal rendelkező készülékekhez utasításokat kell mellékelni, hogy azok az elemek és akkumulátorok biztonságosan eltávolíthatók a felhasználóktól vagy márkától független szakképzett szakemberek által. Ahol lehetséges, az utasításoknak tájékoztatni kell a végfelhasználókat a készülékbe beépített elemek vagy akkumulátorok típusáról.

## Italiano(Traduzione dalle istruzioni originali)

### BATTERIA

#### SPECIFICHE

##### EBSB2AH82

Batteria: 72V  $\approx$  2.0AH, 144Wh, 82V Massimo  
 Voltaggio per cella: 3.6V ; Numero di celle: 20  
 Tempo di carica: 30 min. (utilizzare un  
 caricatore EBSRC82)

##### EBSB4AH82

Batteria: 72V  $\approx$  4.0AH, 288Wh, 82V Massimo  
 Voltaggio per cella: 3.6V ; Numero di celle: 40  
 Tempo di carica: 60 min. (utilizzare un  
 caricatore EBSRC82)

Per un corretto utilizzo, manutenzione e  
 riponimento della batteria, leggere e  
 comprendere tutte le istruzioni nel presente  
 manuale.

Per evitare lesioni gravi, rischi d'incendio,  
 esplosioni e pericolo di gravi scosse elettriche:

- NON sondare il caricatore con materiale conduttivo.
- Se la scatola del gruppo batterie è rotta o danneggiata, NON inserire nel caricatore. Sostituire con un nuovo gruppo batterie.
- NON caricare questi gruppi batteria con un altro tipo di caricatore.
- NON lasciare che del liquido penetri all'interno del caricatore.
- NON tentare di utilizzare il caricatore per scopi diversi da quelli indicati nel presente manuale.
- NON cercare di cortocircuitare i terminali del gruppo batterie.

#### ▲ AVVERTENZE

Se il liquido della batteria entra negli occhi, lavarsi immediatamente con acqua pulita per almeno 15 minuti. Rivolgersi immediatamente a un medico. Non ricaricare il gruppo batterie sotto la pioggia o in condizioni umide. Non immergere l'utensile, il gruppo batterie o il caricatore in acqua o in altri liquidi.

- Non permettere che il gruppo batterie o il caricatore si surriscaldino. Se sono caldi, lasciarli raffreddare. Ricaricare solo a temperatura ambiente.
- Non coprire le griglie di ventilazione sulla parte superiore del caricatore. Non posizionare il caricatore su una superficie morbida come una coperta o un cuscino. Tenere le griglie di ventilazione pulite.
- Non lasciare che piccoli oggetti in metallo o materiali come lana d'acciaio, fogli d'alluminio o altre particelle estranee entrino nelle cavità del caricatore.
- Scollegare il caricatore prima di pulirlo o quando non c'è alcun gruppo batterie al suo interno.
- Non posizionare il gruppo batterie sotto la luce diretta del sole o in un ambiente caldo. Tenere sempre a temperatura ambiente.
- Non cercare di collegare assieme due caricatori.
- Se la batteria non verrà caricata per un lungo periodo di tempo, conservarla sempre all'ombra, al fresco e in luoghi asciutti; caricare la batteria per 2 ore ogni 2 mesi.
- Le celle del gruppo batteria potranno sviluppare piccole perdite se utilizzate troppo o a temperature estreme. Se il sigillo esterno si rompe e il liquido entra in contatto con la pelle:
  - Lavarsi immediatamente con acqua e sapone.
  - Neutralizzare con succo di limone, aceto o altri acidi medi.
- Se il liquido entra in contatto con gli occhi, seguire le istruzioni di cui sopra e rivolgersi a un medico.
- Prima dell'utilizzo controllare che il voltaggio in uscita e la corrente del caricatore della batteria siano adatti per caricare il gruppo batterie.
- Non utilizzare il caricatore in circostanze in cui la polarità in uscita non sia pari a quella di carica.
- Solo per uso in interni.
- Non aprire in alcuna circostanza il

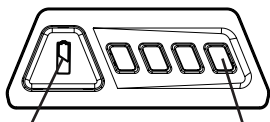
## Italiano(Traduzione dalle istruzioni originali)

coperchio. Se il coperchio è danneggiato, il caricatore potrà rompersi e non essere più utilizzato.

- Non ricaricare le batterie non ricaricabili.

### CONTROLLARE LA CAPACITÀ DELLA BATTERIA

Premere il tasto indicatore di capacità batteria (BCI - battery capacity indicator). Le luci si accenderanno a seconda del livello di capacità della batteria. Vedere lo schema seguente:



TASTO INDICATORE MISURAZIONE CAPACITA' BATTERIA CARICABATTERIA (BATTERY CAPACITY INDICATOR - BCI)

Luci	Kapazität
4 luci verdi	La batteria ha una carica superiore all'80%.
3 luci verdi	La batteria ha una carica tra l'80% e il 60%.
2 luci verdi	La batteria ha una carica tra l'60% e il 40%.
1 luce verde	La batteria ha una carica tra l'40% e il 25%.
Le luci si spengono	La batteria ha una carica inferiore al 25% e richiede di essere ricaricata immediatamente.

### NOTE DI SICUREZZA E PRECAUZIONI

1. Non smontare la batteria.
2. Tenere lontano dai bambini.
3. Non esporre la batteria all'acqua o all'acqua salata, riporla in un luogo e in un ambiente fresco e asciutto.
4. Non posizionare la batteria in luoghi troppo caldi, come accanto a un fuoco o a un radiatore, ecc.
5. Non invertire i terminali negativo e positivo della batteria.
6. Non collegare il terminale positivo e quello negativo della batteria con altri oggetti metallici.
7. Non colpire, far cadere, nè camminare sulla batteria.
8. Non svolgere operazioni di saldatura sulla batteria, nè perforarla con chiodi o con altri oggetti appuntiti.
9. Nel caso in cui la batteria perda liquidi che entrano a contatto con gli occhi, non strofinarli e sciacquare a fondo con acqua. Interrompere l'utilizzo della batteria se quest'ultima emette odori inusuali, si surriscalda o cambia colore/forma e ha un aspetto anormale.

### ⚠ AVVERTENZE




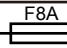
Per evitare rischi d'incendio, o scosse e scariche elettriche:

- Non passare panni umidi o detersivi sulla batteria o sul caricatore della batteria.
- Rimuovere sempre il gruppo batterie prima di pulire, ispezionare o svolgere le operazioni di manutenzione sull'utensile.

### PULIZIA

Pulire l'esterno del caricatore con un panno asciutto e soffice. Non sciacquare con eventuali pome nè pulire con acqua.

## Italiano(Traduzione dalle istruzioni originali)

	Classe II Doppio isolamento
	Solo per uso interno.
	Prima di caricare leggere le istruzioni
	Fusibile

### ⚠ AVVERTENZE

Questo utensile non deve essere utilizzato da persone (compreso bambini) con ridotte capacità fisiche, sensoriali o mentali o senza l'esperienza e la conoscenza necessarie, a meno che non siano supervisionate o abbiano ricevuto adeguate istruzioni riguardanti l'utilizzo dell'utensile da una persona responsabile per la loro sicurezza. I bambini dovranno essere supervisionati per assicurarsi che non giochino con l'utensile.

- I bambini non dovranno giocare con l'utensile.
- Le operazioni di pulizia e manutenzione non dovranno essere svolte da bambini non supervisionati.
- Se il cavo dell'alimentazione di questo utensile è danneggiato, dovrà essere sostituito dalla ditta produttrice, da un suo rappresentante o da persone qualificate, per evitare di correre rischi.

### SMALTIMENTO ECO-COMPATIBILE DELLA BATTERIA



I seguenti materiali tossici e corrosivi si trovano all'interno del gruppo batterie utilizzato con questo utensile:

Ioni di litio, un materiale tossico.

### ⚠ AVVERTENZE

Tutti i materiali tossici dovranno essere smaltiti in maniera adeguata per prevenire la contaminazione ambientale. Prima di smaltire gruppi batterie agli ioni di litio danneggiati o rotti, contattare l'Agenzia locale per lo smaltimento rifiuti, o l'Agenzia per la Protezione dell'Ambiente locale per eventuali informazioni e istruzioni specifiche. Portare le batterie presso un centro di riciclaggio e/o smaltimento certificato per la gestione di materiali agli ioni di litio.

### ⚠ AVVERTENZE

Se il gruppo batterie si rompe o cade, con o senza perdita di liquidi, non ricaricarlo e non utilizzarlo. Smaltirlo e sostituirlo con un nuovo gruppo batterie. **NON TENTARE DI RIPARARLO!**

Per evitare lesioni e rischi d'incendio, esplosioni o scosse elettriche ed evitare di arrecare danni all'ambiente:

- Coprire i terminali della batteria con nastro adesivo resistente.
- NON tentare di rimuovere o distruggere i componenti del gruppo batterie.
- NON tentare di aprire il gruppo batterie.

### ⚠ AVVERTENZE

- Gli elettroliti rilasciati da eventuali perdite di liquidi del gruppo batterie sono corrosivi e tossici. Fare in modo che il liquido NON entri in contatto con occhi o pelle e non ingerirlo.
- Non posizionare le batterie nella spazzatura domestica.
- NON bruciare.
- NON posizionare le batterie in luoghi dove potranno diventare parte di una discarica locale o dei rifiuti solidi urbani.
- Portarle presso un centro riciclaggio autorizzato.

## Italiano(Traduzione dalle istruzioni originali)

### CARICATORE BATTERIA

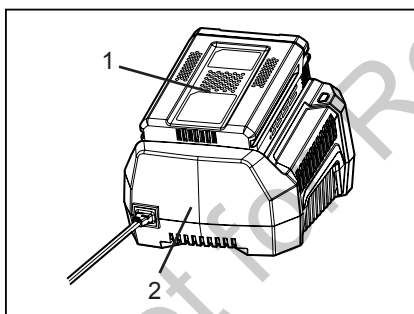
#### SPECIFICHE

Caricatore da 82V: EBSRC82  
 Entrata: 230V ~ 50/60Hz, 2.5A  
 Uscita: 82V = 4A

#### PROCEDURA DI CARICA

*NOTE: La batteria non viene inviata completamente carica. Si raccomanda di caricarla prima dell'utilizzo per assicurarsi che si raggiunga il massimo tempo di carica. La batteria agli ioni di litio non svilupperà una memoria e può essere ricaricata in un qualsiasi momento.*

1. Collegare il caricatore a una presa AC.
2. Inserire il gruppo batterie (1) nel caricatore (2).



Questo è un caricatore diagnostico. Le luci al LED del caricatore si illumineranno in un ordine specifico per comunicare lo stato attuale della batteria. Carica della batteria a seconda delle luci:

STATO LED	DESCRIZIONE
Verde lampeggiante	In carica
Verde fisso	Completamente carico
Rosso fisso	Tem peratura troppo alta
Rosso lampeggiante	Errore di carica

Luce indicante un falso difetto:

Quando la batteria viene inserita nel caricatore, e il LED di stato lampeggia, rimuovere la batteria dal caricatore per 1 minuto, quindi reinserirla. Se lo stato del Led indica normale allora il gruppo batterie è funzionante. Se il dispositivo di stato del LED lampeggia ancora, rimuovere il gruppo batterie e scollegare il caricatore. Attendere 1 minuto e collegare di nuovo il caricatore e reinserire il gruppo batterie. Se il dispositivo di stato del LED indica normale allora il gruppo batterie è funzionante. Se il dispositivo di stato del LED lampeggia ancora allora il gruppo batterie è difettoso e deve essere sostituito.

*NOTE: Quando l'indicatore rosso lampeggia, estrarre la batteria dal caricatore e reinserirla entro 2 ore. Se l'indicatore mostra la carica, la batteria è di nuovo in ottime condizioni. Dopo 2 ore, estrarre la batteria e collegare la spina AC dal caricatore per 1 minuto, reinserire quindi la spina AC e la batteria. Se l'indicatore mostra la carica, la batteria è in ottime condizioni. In caso contrario la batteria deve essere caricata.*

#### CONTROLLARE LA CARICA

Se il gruppo batterie non si carica correttamente:

- Controllare la corrente all'uscita con un altro utensile. Assicurarsi che la spina non sia spenta.
- Controllare che i contatti del caricatore non siano stati cortocircuitati da detriti o altri materiali.
- Se la temperatura dell'aria circostante non è normale, spostare il caricatore e il gruppo batterie in un luogo dove la temperatura sia tra 6 °C e 40 °C.

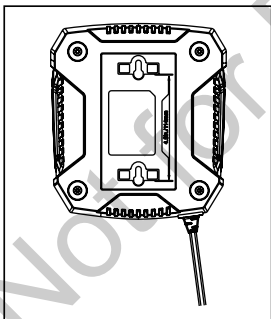
## Italiano(Traduzione dalle istruzioni originali)

### ⚠ AVVERTENZE

Se la batteria è inserita calda o bollente nel caricatore, l'indicatore luminoso di CARICA al LED si illuminerà lampeggiando ROSSO. Nel caso in cui ciò si verifichi, lasciare che la batteria si raffreddi fuori dal caricatore per circa 30 minuti.

### MONTAGGIO CARICATORE

1. Questo caricatore può essere installato a muro utilizzando 2 viti #8 (non incluse).
2. Individuare il luogo ove montare il caricatore a muro.
3. Per montare su legno utilizzare 2 viti idonee a tale (scopeonon incluse).
4. Fare due fori nel centro a una distanza di 114.3mm assicurandosi che siano allineati verticalmente.
5. Per montare su cartongesso utilizzare ancore(non incluse) e viti da muro per assicurare il caricatore al muro.



**NOTE:** Se la batteria e il caricatore non verranno utilizzati per un lungo periodo di tempo, rimuovere la batteria dal caricatore e scollegare il cavo AC.

### IMPORTANTI ISTRUZIONI DI SICUREZZA

1. CONSERVARE QUESTE ISTRUZIONI – PERICOLO: PER RIDURRE IL RISCHIO D'INCENDIO O SCOSSE ELETTRICHE SEGUIRE QUESTE ISTRUZIONI ATTENTAMENTE.
2. Confermare il voltaggio disponibile in ogni paese prima di utilizzare il caricatore.
3. Se i perni della spina non combaciano con la presa, utilizzare un adattatore della configurazione adatta per l'uscita.

### Corretto smaltimento del prodotto:



Questo simbolo indica che questo prodotto non deve essere smaltito con altri rifiuti domestici in Europa. Per evitare eventuali rischi per l'ambiente o la salute umana da smaltimento non corretto, riciclare responsabilmente per promuovere il riutilizzo sostenibile di risorse materiali. Per restituire il dispositivo usato, utilizzare i sistemi di raccolta e consegna o contattare il rivenditore di fiducia dove il prodotto è stato acquistato. Tali rivenditori potranno occuparsi del corretto smaltimento del prodotto.

**Italiano(Traduzione dalle istruzioni originali)****Rimozione di rifiuti di pile e accumulatori**

Gli Stati Membri si assicureranno che le ditte producano dispositivi dai quali potranno essere rimossi facilmente batterie ed accumulatori. Nel caso in cui essi non potranno essere rimossi dai dispositivi, gli Stati Membri si assicureranno che le ditte producano dispositivi dai quali professionisti qualificati non dipendenti dalla ditta produttrice potranno rimuovere batterie e accumulatori da smaltire. I dispositivi nei quali batterie e accumulatori sono incorporati verranno accompagnati da istruzioni su come l'utente finale o un professionista qualificato e indipendente potranno rimuovere in maniera sicura batterie ed accumulatori. Ove necessario, istruzioni della ditta informeranno l'utente sui tipi di batterie ed accumulatori integrati nei dispositivi.



## Lietuviškai (Originalių instrukcijų vertimas)

### BATERIJA

#### SPECIFIKACIJOS

EBSB2AH82

Baterija: 72V  $\approx$  2.0AH, 144Wh, 82V Maks

Vieno elemento įtampa: 3.6V ; Elementų skaičius: 20

Įkrovimo laikas: 30 min. (naudokite įkroviklį EBSRC82)

EBSB4AH82

Baterija: 72V  $\approx$  4.0AH, 288Wh, 82V Maks

Vieno elemento įtampa: 3.6V ; Elementų skaičius: 40

Įkrovimo laikas: 60 min. (naudokite įkroviklį EBSRC82)

Norint teisingai naudoti, prižiūrėti ir laikyti, būtina perskaityti ir suprasti šiame vadove pateiktas instrukcijas.

Siekiant išvengti rimtų nelaimingų atsitikimų, gaisro rizikos, sprogimo ir elektros šoko bei lankinio išlydžio keliamo pavojaus:

- Įkrovikliui tikrinti **NENAUDOKITE** zondo iš elektrai laidžių medžiagų.
- Jei baterijos korpusas yra įlūžęs ar apgadintas, jos į įkroviklį **NEDĖKITE**. Reikia pakeisti nauju baterijos bloku.
- Šių baterijos blokams įkrauti **NENAUDOKITE** skirtingo tipo įkroviklio.
- **NELEISKITE** skysčiui patekti į įkroviklio vidų.
- Įkroviklio **NENAUDOKITE** kitokiems nei šiame vadove nurodytiems tikslams.
- **NEBANDYKITE** atlikti trumpojo baterijos grupės kontaktų jungimo.

#### ▲ ĮSPĖJIMAS

Jei baterijos skysčio patektų į akis, nedelsiant plaukite jas švariu vandeniu mažiausiai 15 minučių. Nedelsdami kreipkitės į gydytoją. Nekraukite baterijų bloko vietoje, kurioje jis gali sušlapti dėl lietaus ar drėgnoje aplinkoje. Neįmerkite prietaiso, baterijos ar įkroviklio į vandenį ar kitą skystį.

- Neleiskite baterijai arba įkrovikliui perkaisti. Jeigu jie šilti, palaukite, kol atvės. Įkraukite tik kambario temperatūroje.
- Neuždenkite ventiliacijos angų įkroviklio viršuje. Nedėkite įkroviklio ant minkšto paviršiaus, pvz., ant antklodės, pagalvės. Laikykite įkroviklio ventiliacijos angas atviras.
- Saugokite, kad į įkroviklio ertmę nepatektų mažų metalinių daiktų arba medžiagų, pavyzdžiui, plieno drožlių, aliuminio folijos arba kitokių svetimkūnių.
- Prieš valydami atjunkite įkroviklį nuo tinklo, kai įkroviklyje nėra baterijos.
- Nedėkite baterijos saulės apšviestoje vietoje arba karštoje aplinkoje. Laikykite normalioje kambario temperatūroje.
- Nemėginkite sujungti dviejų įkroviklių.
- Jeigu baterija nėra įkraunama ilgą laiką, laikykite ją neapšviestoje, vėsioje ir sausoje vietoje; kas 2 mėnesius įkraukite bateriją po 2 valandas.
- Iš labai intensyviai arba aukštoje temperatūroje naudojamos baterijos elementų gali pradėti sunktis šiek tiek skysčio. Jeigu pažeidžiamas išorinis apvalkalas ir prisisunkusio skysčio patenka ant jūsų odos.
  - Iš karto nuplaukite vandeniu su muilu.
  - Neutralizuokite citrinų sultimis, actu arba kita nestipria rūgštimi.
- Jeigu prisisunkusio skysčio pateko į akis, vadovaukitės pirmiau pateiktomis

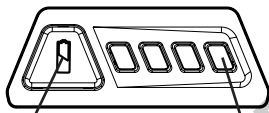
## Lietuviškai (Originalių instrukcijų vertimas)

instrukcijomis ir kreipkitės į medikus.

- Pagal ankstesnį naudojimą patikrinkite, ar baterijos įkroviklio išvesties įtampa ir srovės stiprumas tinka baterijai įkrauti.
- Nenaudokite įkroviklio aplinkybėmis, kai išvesties poliškumas neatitinka krūvio poliškumo.
- Skirta naudoti tik viduje.
- Gaubto negalima atidaryti jokiais aplinkybėmis. Jeigu gaubtas pažeistas, įkroviklio naudoti negalima.
- Neįkraukite neįkraunamojo tipo baterijų.

### BATERIJOS PAJĖGUMO PATIKRA

Paspauskite mygtuką (BCI) - baterijos pajėgumo indikatorius. Lemputės užsidegs pagal esamą baterijos pajėgumo lygį. Pasižiūrėkite į šią lentelę:



AKUMULIATORIAUS KROVIKLIO INDIKATORIUS (ICB) MATAVIMAS

Lemputės	Talpa
4 žalios lemputės	Akumuliatorius įkrautas daugiau nei 80%.
3 žalios lemputės	Akumuliatorius įkrautas nuo 80% iki 60%
2 žalios lemputės	Akumuliatorius įkrautas nuo 60% iki 40%
1 žalia lemputė	Akumuliatorius įkrautas nuo 40% iki 25%
Lemputės užgęsta	Akumuliatorius įkrautas mažiau nei 25%. Akumuliatorius turi būti nedelsiant įkrautas.

### SAUGUMO IR ATSARGUMO REKOMENDACIJOS

1. Baterijos NEišmontuokite.
2. Laikykite vaikams nepasiekiamoje vietoje.
3. NELEISKITE, kad ant baterijos patektų tyro ar sūrus vandens, ją padėkite į vietą vėsioje ir sausoje aplinkoje.
4. NEPADĖKITE baterijos labai karštosiose vietose, kaip antai, šalia ugnies šaltinio ar radiatoriaus ir pan.
5. NESUKEISKITE baterijos teigiamo ir neigiamo terminalų.
6. NEJUNKITE baterijos terminalo, teigiamo ir neigiamo, prie metalinių objektų.
7. Baterijų netrankykite, nedaužykite, ant jų nelipkite.
8. NEATLIKITE baterijos suvirinimo darbų, nepradurkite vinimis ar kitais smailiais daiktais.
9. Jei iš baterijos nutekėję skysčiai patektų į akis, jų netrinkite ir kruopščiai nuplaukite vandeniu. Baterijos nenaudokite, jei iš jos sklinda neįprastas kvapas, ji perkaista ar keičia spalvą/formą arba yra kitų neįprasto pobūdžio požymių.

### ⚠ ĮSPĖJIMAS




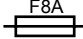
Kad išvengtų gaisro rizikos, elektros smūgio ar elektrošoko:

- Baterijai ar baterijos įkrovikliui valyti nenaudokite drėgnų šluosčių ar valiklių.
- Prieš valymą, patikrą ar norint atlikti prietaiso priežiūros darbus, baterijos bloką visada reikia išimti.

### VALYMAS

Įkroviklio išorę valykite minkšta ir sausa šluoste. Neplaukite siurbliu ir nevalykite vandeniu.

## Lietuviškai (Originalių instrukcijų vertimas)

	Klasė II Dviguba izoliacija
	Naudoti tik patalpų viduje
	Prieš įkraudami, perskaitykite instrukcijas
	Saugiklis

### ⚠ ĮSPĖJIMAS

Šis prietaisas neskirtas ribotų fizinių, jutiminių arba protinių gebėjimų asmenims (ir vaikams), taip pat neturintiems patirties arba žinių, nebent jie yra prižiūrimi arba išmokyti, kaip su juo elgtis. Būtina prižiūrėti vaikus, kad nežaistų su prietaisu.

- Vaikams negalima žaisti su prietaisu.
- Neprižiūrimiems vaikams negalima atlikti valymo ir techninės priežiūros darbų.
- Jeigu maitinimo laidas yra pažeistas, jį turi pakeisti gamintojas, jo aptarnavimo centro atstovas ar kitas kvalifikuotas asmuo, kad būtų išvengta pavojaus.

### SU APLINKOS ŠUDERINAMAS ŠALINIMAS



Šios, su prietaisu naudojamos baterijos bloke esančios medžiagos yra toksiškos ir ėsdinančios:

Ličio jonai yra toksiška medžiaga.

### APSAUGA BATERIJOS

### ⚠ ĮSPĖJIMAS

Siekiant išvengti aplinkos teršimo, visos toksiškos medžiagos turi būti šalinamos tinkamu būdu. Prieš išmesdami ličio jonų baterijos blokus, susisiekite su vietine atliekų šalinimo įstaiga arba vietine aplinkos apsaugos įstaiga dėl reikiamos informacijos ir atitinkamų instrukcijų. Nuneškite baterijas į atestuotą medžiagų iš ličio jonų perdirbimo ir/ar šalinimo centrą.

### ⚠ ĮSPĖJIMAS

Jei baterijos blokas įlūžtų ar įtrūktų, nesvarbu, ar yra skysčio nutekėjimo ar ne, jo pakartotinai nebekraukite ir jo nebandykite. Išmeskite ir pakeiskite nauju baterijos bloku. **NEBANDYKITE JO TAISYTI!**

Kad išvengtumėte nelaimingų atsitikimų, sprogimų ar elektros smūgių ir nepadarytumėte žalos aplinkai:

- Ant baterijos terminalų užklijuokite atsparią lipnią juostelę.
- NEBANDYKITE išimti ar išardyti jokio baterijos bloko komponento.
- NEBANDYKITE baterijos bloko atidaryti.

### ⚠ ĮSPĖJIMAS

■ Iš baterijos bloko ištekėjusio skysčio išsiskyrę elektrolitai yra ėsdinantys ir toksiški. Pasistenkite, kad skysčio NEPATEKTŲ į akis, ant odos ir svarbiausia jo nenurykite.

- NEIŠMESKITE baterijų į buitinius atliekoms skirtą šiukšliadėžę.
- NEDEGINKITE.
- NEPALIKITE baterijų vietose, kurios gali virsti vietinio savartyno ar miesto kietųjų atliekų savartyno dalimi.
- Jas nuneškite į autorizuotą surinkimo centrą.

## Lietuviškai (Originalių instrukcijų vertimas)

### BATERIJOS ĮKROVIKLIS

#### SPECIFIKACIJOS

82V įkroviklis: EBSRC82

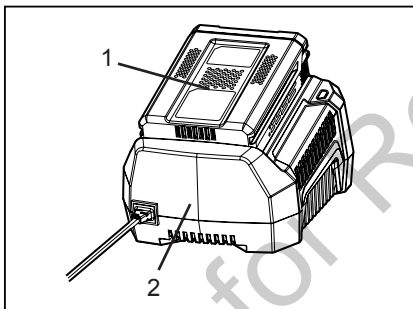
Įėjimas: 230V ~ 50/60Hz, 2.5A

Išėjimas: 82V = 4A

#### ĮKROVIMO PROCEDŪRA

**PASTABA:** Pristatyta baterija nėra pilnai įkrauta. Prieš naudojimą rekomenduojama įkrauti, kad būtų užtikrintas ilgiausias veikimo laikas. Ličio jonų baterija atminties neturi ir ją galima įkrauti bet kada.

1. Prijunkite įkroviklį prie AC lizdo.
2. Įdėkite baterijos bloką (1) į įkroviklį (2).



Šis įkroviklis yra diagnostinis. Įkroviklio LED lemputės užsidegs tam tikra tvarka ir praneš apie esamą baterijų būklę. Baterijos įkrovimo būseną vadovaujantis lemputėmis:

LED BŪSENA	APRAŠYMAS
Žalias mirksintis	Kraunama
Žalias pastovus	Visiškai įkrautas
Raudonas pastovus	Per aukšta temperatūra
Raudonas pastovus	Įkrovimo klaida

Lemputė nurodo netikrą gedimą:

Jei įdėjus bateriją, būsenos lemputė mirksi, ją iš įkroviklio 1 minutei išimkite ir tada vėl įdėkite. Jei būsenos lemputė rodo „normalią“ būseną, tai reiškia, kad baterijos blokas veikia. Jei lemputė vėl mirksi, baterijos bloką išimkite ir atjunkite įkroviklį. Palaukite 1 minutę, iš naujo prijunkite įkroviklį ir vėl įdėkite baterijos bloką. Jei būsenos lemputė rodo „normalią“ būseną, tai reiškia, kad baterijos blokas veikia. Jei lemputė ir toliau mirksi, tai reiškia, kad baterijos blokas yra sugedęs ir jį reikia pakeisti nauju.

**PASTABA:** Kai mirksi raudonas indikatorius, bateriją reikia iš įkroviklio išimti ir per 2 valandas įdėti atgal. Jei indikatorius nurodo, kad yra kraunama, tai reiškia, kad baterijos būklė yra puiki. Po 2 valandų bateriją išimkite ir įkroviklį 1 minutei atjunkite nuo AC lizdo, tada vėl prijunkite prie AC lizdo ir baterijos. Jei indikatorius nurodo, kad yra kraunama, tai reiškia, kad baterijos būklė yra puiki. Priešingu atveju bateriją reikia pakeisti.

#### ĮKROVIKLIO PATIKRA

Jei baterijos blokas teisingai nesikrauna:

- Patikrinkite išėjimo srovę su kitu įrankiu. Patikrinkite, ar lizdas neizoliuotas.
- Patikrinkite, ar įkroviklio kontaktų nepaveikė likučių ar kitų medžiagų sukeltas trumpasis jungimas.
- Jei aplinkos temperatūra nėra normali, perneškite įkroviklį ir baterijos bloką į aplinką, kurioje temperatūra yra nuo 6°C iki 40°C.

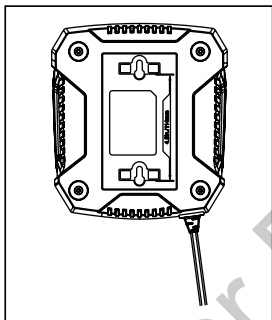
#### ⚠ ĮSPĖJIMAS

Jei į įkroviklį yra įdedama šilta ar įkaitusi baterija, indikatorius LED lemputė gali užsidegti RAUDONAS šviesa. Įvykus šiai situacijai, bateriją išimkite iš įkroviklio ir 30 minučių palikite atvėsti.

## Lietuviškai (Originalių instrukcijų vertimas)

### ĮKROVIKLIO MONTAVIMAS

1. Šį įkroviklį galima, naudojant du varžtus #8 (nepridėti) pritvirtinti prie sienos.
2. Ant sienos suraskite vietą, kurioje įkroviklį norite montuoti.
3. Montuodami ant medinio paviršiaus, naudokite 2 tam tikslui tinkamus varžtus (nepridėti).
4. Centre išgręžti dvi angas 114.3 mm atstumu, užtikrinant, kad jos būtų vertikaliai sulygiuotos.
5. Montuodami įkroviklį ant sienos iš gipso kartono plokščių, naudokite ankerinius varžtus (nepridėti).



*PASTABA: Jei baterija ir įkroviklis bus ilgą laiką nenaudojami, bateriją iš įkroviklio išimkite ir atjunkite nuo AC lizdo.*

### SVARBŪS SAUGUMO NURODYMAI

1. ŠIAS INSTRUKCIJAS IŠSAUGOKITE PAVOJUS: KAD SUMAŽINTI GAISRO AR ELEKTROS ŠOKO RIZIKĄ SVARBU ATIDŽIAI SEKTI ŠIAS INSTRUKCIJAS.
2. Prieš pradėdant naudoti įkroviklį, reikia patikrinti atitinkamoje šalyje esantį įtampos dydį.
3. Jeigu kištuko gnybtai neatitinka maitinimo lizdo, naudokite kištuko adapterį, kuris yra pritaikytas tokiam maitinimo lizdui.

### TINKAMAS ŠIO GAMINIO IŠMETIMAS:



Šis ženklas nurodo, kad ES šalyse šio gaminio negalima išmesti kartu su buitinėmis atliekomis. Kad aplinka arba žmonių sveikata būtų apsaugota nuo galimos žalos, kurią gali sukelti nekontroliuojamas atliekų išmetimas, elkitės atsakingai ir atiduokite šį gaminį perdirbti, taip prisidėdami prie tvaraus pakartotinio žaliavų naudojimo. Norėdami grąžinti panaudotą gaminį, naudokitės grąžinimo ir surinkimo sistemomis arba kreipkitės į pardavėją, iš kurio šį gaminį įsigijote. Jie gali paimti šį gaminį, kad būtų perdirbtas aplinkai nekenkiančiu būdu.

### Panaudotų baterijų ir akumuliatorių išėmimas



Valstybės narės turi užtikrinti, kad gamintojai projektuotų prietaisus taip, jog panaudotas baterijas ir akumuliatorius būtų galima lengvai išimti. Jeigu jų negali lengvai išimti galutinis vartotojas, valstybės narės turi užtikrinti, kad gamintojai projektuotų prietaisus taip, jog panaudotas baterijas ir akumuliatorius galėtų lengvai išimti kvalifikuoti specialistai, nesantys priklausomi nuo gamintojo. Prietaisai, kuriuose yra baterijų arba akumuliatorių, turi būti tiekiami su instrukcijomis, paaiškinančiomis, kaip tas baterijas arba akumuliatorius gali saugiai išimti galutinis vartotojas arba nepriklausomi kvalifikuoti specialistai. Kai tinkama, instrukcijose taip pat reikia informuoti galutinį vartotoją apie tai, kokio tipo baterijos arba akumuliatoriai yra sumontuoti prietaise.

## Latviski (Tulkojums no oriģinālās dokumentācijas)

### BATERIJA

#### SPECIFIKĀCIJAS

EBSB2AH82

Baterija: 72V  $\approx$  2.0AH, 144Wh, 82V maks.

Elementa spriegums: 3.6V ; Elementu skaits: 20

Uzlādes laiks: 30 min. (izmantojiet lādētāju EBSRC82)

EBSB4AH82

Baterija: 72V  $\approx$  4.0AH, 288Wh, 82V maks.

Elementa spriegums: 3.6V ; Elementu skaits: 40

Uzlādes laiks: 60 min. (izmantojiet lādētāju EBSRC82)

Lai izmantotu, uzturētu un pienācīgi uzglabātu bateriju, svarīgi ir izlasīt un izprast šajā rokasgrāmatā sniegtos norādījumus.

Lai novērstu nopietnus kaitējumus, ugunsgrēku, sprādzienbīstamību un elektriskās strāvas trieciena un loka riskus:

- NEMANIPULĒT lādētāju ar materiāliem, kam ir vadītspēja.
- Ja bateriju paketes konteiners ir salauzts vai bojāts, NELIECIET to lādētāja. Nomainīt ar jaunu bateriju paketi.
- NEUZLĀDĒT šīs bateriju paketes ar cita veida lādētāju.
- NEPIELAUT, lai šķidrums nokļūtu lādētājā.
- NELIETOT lādētāju mērķiem, kas nav minēti šajā rokasgrāmatā.
- NEIZVEIDOT bateriju paketes spaiļu īssavienojumu.

#### ▲ BRĪDINĀJUMS

Ja baterijas šķidrums nonāk saskarē ar acīm, nekavējoties vismaz 15 minūtes tās skalot ar tīru ūdeni. Nekavējoties griezties pie ārsta. Neuzlādēt bateriju paketi lietus apstākļos vai mitrā vidē. Negremdēt aprīkojumu, bateriju paketi vai lādētāju ūdenī vai jebkurā citā šķidrumā.

- Neļaujiet bateriju komplektam vai lādētājam pārkarst. Ja tie ir silti, ļaujiet tiem atdzist. Uzlādējiet tikai istabas temperatūrā.
- Neaizsedziet ventilācijas atveres lādētāja augšpusē. Nenovietojiet lādētāju uz mīkstas virsmas, piem., segas, spilvena. Lādētāja ventilācijas atveres saglabājiet neaizsegta.
- Neļaujiet maziem metāla priekšmetiem vai tādiem materiāliem kā tērauda vilna, alumīnija folija, vai citiem svešķermeņiem iekļūt lādētāja iedobumā.
- Atvienojiet lādētāju pirms tīrīšanas un kad lādētājā nav bateriju komplekta.
- Nenovietojiet bateriju komplektu saulē vai siltā vidē. Glabājiet normālā istabas temperatūrā.
- Nemēģiniet savienot divus lādētājus.
- Ja baterija ilgu laiku nav tikusi uzlādēta, turiet to ēnainā, vēsā un sausā vietā; uzlādējiet bateriju 2 stundas katrus 2 mēnešus.
- Bateriju komplekta elementi var radīt nelielu sūci ekstremālos lietošanas vai temperatūras apstākļos. Ja ārējā izolācija ir bojāta un sūce nokļūst uz ādas.
  - Izmantojiet ziepes un ūdeni, lai to nekavējoties nomazgātu.
  - Neitralizējiet ar citrona sulu, etiķi vai citu vieglu skābi.
- Ja sūce nokļūst acīs, rīkojieties saskaņā ar augstākminētajām instrukcijām un meklējiet medicīnisko palīdzību.
- Lūdzu, pirms izmantošanas pārbaudiet,

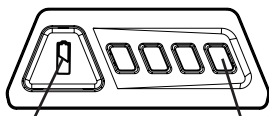
## Latviski (Tulkojums no oriģinālās dokumentācijas)

vai izejas spriegums un baterijas lādētāja strāva ir piemēroti bateriju komplekta uzlādei.

- Neizmantojiet lādētāju apstākļos, kad izejas polaritāte nesakrīt ar slodzes polaritāti.
- Lietošanai tikai iekštelpās.
- Apvalks nekādā gadījumā nedrīkst tikt atvērts. Ja apvalks ir bojāts, lādētāju vairs nevar izmantot.
- Nemēģiniet uzlādēt baterijas, kas uzlādei nav paredzētas.

### BATERIJAS KAPACITĀTES PĀRBAUDE

Nospiediet pogu (BCI) Baterijas kapacitātes rādītājs. Gaismas iedegas atkarībā no baterijas kapacitātes līmeņa. Skatīt zemāk redzamo diagrammu:



AKUMULATORAUZLĀDES MĒRĪJUMS  
LĪMEŅA INDIKATORA  
(ICB) TAUSTIŅŠ

Gaismas	Kapacitāte
4 zaļās gaismas	Akumulatora uzlādes līmenis ir augstāks par 80%.
3 zaļās gaismas	Akumulatora uzlādes līmenis ir no 80% līdz 60%.
2 zaļās gaismas	Akumulatora uzlādes līmenis ir no 60% līdz 40%.
1 zaļā gaisma	Akumulatora uzlādes līmenis ir no 40% līdz 25%.
Lampīņas izslēdzas	Akumulatora uzlādes līmenis ir mazāks par 25%. Akumulators ir nekavējoties jāuzlādē.

### DROŠĪBAS UN PIESARDZĪBAS NORĀDĪJUMI

1. NEIZJAUCIET bateriju.
2. Uzglabāt bērniem nepieejamā vietā.
3. NEPAKĻAUJIET bateriju saldūdeņa vai jūras ūdeņa ietekmei; uzglabājiet to vēsā un sausā vietā.
4. NENOVIETOJIET bateriju pārāk karstā vietā, piemēram, uguns līesmas, radiatora utt. tuvumā.
5. NESAMAINĪT baterijas pozitīvās un negatīvās spaiļes.
6. NEIZVEIDOT baterijas spaiļu (pozitīvās un negatīvās) savienojumu ar metāla priekšmetiem.
7. NEPAKĻAUT triecienam, nesist, nekāpt uz baterijas.
8. NEVEIKT metināšanas darbības ar bateriju, nedurt ar naglu vai citiem asiem priekšmetiem.
9. Gadījumā, ja rodas baterijas noplūde un šķidrums nonāk saskarē ar acīm, neberziet, bet rūpīgi izskalojiet ar ūdeni. Pārtrauciet izmantot bateriju, ja tā izdod neparastu smaku, pārkarst vai maina krāsu/formu un tai ir anomāls izskats.

### ▲ BRĪDINĀJUMS




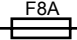
Lai izvairītos no ugunsgrēka, elektrošoka vai elektroizlādes riskiem:

- Netīrīt bateriju vai tās lādētāju ar mitru drānu vai mazgāšanas līdzekli.
- Pirms tīrīšanas vienmēr noņemiet bateriju paketi, pārbaudiet to vai arī veiciet aprīkojuma tehnisko apkopi.

### TĪRĪŠANA

Notīriet lādētāja ārpusi ar mīkstu, sausu drāniņu. Neskalot ar sūkni un netīrīt ar ūdeni.

## Latviski (Tulkojums no oriģinālās dokumentācijas)

	Klase II Dubultā izolācija
	Izmantošanai tikai iekštelpās
	Pirms uzlādēšanas izlasiet instrukciju
	Drošinātājs

### ▲ BRĪDINĀJUMS

Ierīce nav paredzēta izmantošanai personām (ieskaitot bērnus) ar samazinātām fiziskajām, sensorajām vai garīgajām spējām, vai ar pieredzes un zināšanu trūkumu, ja viņiem nav nodrošināta uzraudzība vai norādījumi. Uzraudzītiem bērniem aizliegts spēlēties ar ierīci.

- Bērniem aizliegts spēlēties ar ierīci.
- Tīrīšanu un lietotāja uzturēšanu aizliegts veikt bērniem bez uzraudzības.
- Ja padeves vads ir bojāts, to nomaina ražotājs, tā pakalpojumu aģents vai līdzīgi kvalificētas personas, lai izvairītos no briesmām.

## ECO-SADERĪGA BATERIJAS UTILIZĀCIJA



Šajā aprīkojumā tiek izmantoti šādi toksiski un korodējoši materiāli, kas atrodas bateriju paketē:

litija joni ir toksisks materiāls.

### ▲ BRĪDINĀJUMS

No visiem toksiskajiem materiāliem jāatbrīvojas pienācīgā veidā, lai novērstu vides piesārņojumu. Pirms atbrīvoties no bojātām vai salauztām litija jonu bateriju paketēm, sazinieties ar vietējo atkritumu apglabāšanas aģentūru vai ar vietējo Vides aizsardzības aģentūru, lai iegūtu papildu informāciju un norādījumus. Nogādājiet baterijas pārstrādes un/vai apglabāšanas centrā, kas ir pilnvarots litija jonu materiālu apsaimniekošanai.

### ▲ BRĪDINĀJUMS

Ja bateriju paketē ir bojāta vai salūzusi, ar vai bez šķidruma zudumu, neuzlādējiet un neizmantojiet to. Atbrīvojieties no tās un nomainiet ar jaunu bateriju paketi. **NEMĒĢINIET TO LABOT!**

Lai izvairītos no nelaimes gadījumiem un ugunsgrēka riskiem, eksplozijām vai elektriskās strāvas triecieniem un no kaitējumiem videi:

- Pārklājiet baterijas spaiļes ar izturīgu līmlenti.
- **NEMĒĢINIET** noņemt vai iznīcināt kādu no bateriju paketes daļām.
- **Nemēģiniet** atvērt bateriju paketi.

### ▲ BRĪDINĀJUMS

- Elektrolīti, kas izdalās bateriju paketes šķidruma noplūdes laikā, ir korodējoši un toksiski. Pārlicinieties, vai šķidrums nav nonācis saskarē ar ādu, acīm, un jo īpaši nenorīt to.
- **NEATBRĪVOTIES** no baterijas, izmetot to mājāsaimniecības atkritumos.
- **NEDEDZINĀT.**
- **NENOVĪETOJIET** baterijas vietās, kur tās var kļūt par vietējā poligona vai cieta sadzīves atkritumu daļu.
- Nogādājiet tās pilnvarotā pārstrādes centrā.



## Latviski (Tulkojums no oriģinālās dokumentācijas)

### BATERIJAS LĀDĒTĀJS

#### SPECIFIKĀCIJAS

Lādētājs 82V: EBSRC82

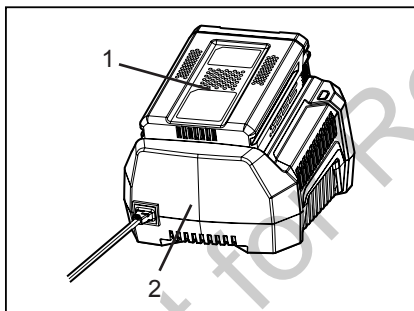
Ieeja: 230V ~ 50/60Hz, 2.5A

Izeja: 82V = 4A

#### UZLĀDES PROCEDŪRA

**PIEZĪME:** baterija netiek piegādāta pilnībā uzlādēta. Lai panāktu maksimālo ekspluatācijas laiku, pirms lietošanas ieteicams to uzlādēt. Litija jonu baterija neattīsta atmiņu, un to var uzlādēt jebkurā laikā.

1. Pievienojiet lādētāju maiņstrāvas kontaktligzdai.
2. Ievietojiet bateriju paketi (1) lādētājā (2).



Tas ir diagnostikas lādētājs. Lādētāja LED indikatori iedegas noteiktā secībā, lai paziņotu par pašreizējo baterijas stāvokli. Bateriju uzlādējiet atkarībā no indikatoriem:

GAISMAS DIODES STĀVOKLIS	DESCRIPTION
Zaļa mirgojoša	Uzlādēšana
Zaļa nepārtraukta	Pilnīgi uzlādēts
Sarkana nepārtraukta	Pārāk augsta temperatūra
Sarkana mirgojoša	Uzlādēšanas kļūda

Indikators norāda uz falšu kļūmi:

Kad baterija ir ievietota lādētājā un LED indikators mirgo, izņemiet bateriju no lādētāja uz 1 minūti un ievietojiet to atpakaļ. Ja LED indikators rāda "normāls", tas nozīmē, ka bateriju pakete darbojas. Ja LED indikators no jauna mirgo, izņemiet bateriju paketi un atvienojiet lādētāju. Uzgaidiet 1 minūti, pievienojiet no jauna lādētāju un ievietojiet bateriju paketi. Ja LED indikators norāda "normāls", tas nozīmē, ka bateriju pakete darbojas. Ja LED indikators joprojām mirgo, tas nozīmē, ka bateriju pakete ir bojāta un tā ir jānomaina.

**PIEZĪME:** ja sarkanais indikators mirgo, izņemiet bateriju no lādētāja un novietojiet to atpakaļ pēc 2 stundām. Ja indikators rāda uzlādi, baterija ir optimālā stāvoklī. Pēc 2 stundām izņemiet bateriju un atvienojiet maiņstrāvas kontaktligzdu no lādētāja uz 1 minūti, pēc tam ievietojiet maiņstrāvas kontaktligzdu un bateriju. Ja indikators rāda uzlādi, baterija ir optimālā stāvoklī. Pretējā gadījumā baterija ir jānomaina.

#### LĀDĒTĀJA PĀRBAUDE

Ja bateriju pakete netiek pareizi uzlādēta:

- Pārbaudiet izejas strāvu ar cita aprīkojuma palīdzību. Pārliecinieties, vai kontaktligzda nav izolēta.
- Pārbaudiet, vai lādētāja kontakti neveido īssavienojumu, ko izraisa gruži vai citi materiāli.
- Ja apkārtējā gaisa temperatūra nav normāla, pārvietojiet lādētāju un bateriju paketi apkārtējā vidē ar temperatūru no 6°C līdz 40°C.

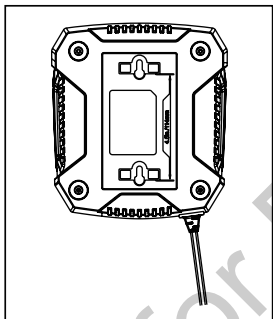
#### ▲ BRĪDINĀJUMS

Ja baterija tiek ievietota lādētājā, tai esot siltai vai sakarsētai, UZLĀDES LED indikators uz lādētāja tiek izgaismots SARKANS krāsā. Gadījumā, ja rodas šāda situācija, ļaujiet baterijai atdzist ārpus lādētāja apmēram 30 minūtes.

## Latviski (Tulkojums no oriģinālās dokumentācijas)

### LĀDĒTĀJA MONTĀŽA

1. TŠo lādētāju var uzstādīt uz sienas, izmantojot divas skrūves #8 (nav iekļautas).
2. Identificēt vietu, kur uz sienas uzstādīt lādētāju.
3. Lai uzstādītu uz kokmateriāla, izmantot 2 skrūves (nav iekļautas), kas piemērotas šim nolūkam.
4. Izveidojiet centrā divas atveres 114,3 mm attālumā, pārliedzinoties, ka tās ir izlīdzinātas vertikāli.
5. Lai uzstādītu uz ģipškartona sienas, izmantot sienas enkuru (nav iekļautas) un skrūves, lai lādētāju piestiprinātu pie sienas.



**PIEZĪME:** ja baterija un lādētājs ilgāku laiku netiek lietoti, izņemiet bateriju no lādētāja un atvienojiet maiņstrāvas kontaktligzdu.

### SVARĪGI DROŠĪBAS NORĀDĪJUMI

1. **SAGLABĀJIET ŠIS INSTRUKCIJAS BĪSTAMI! LAI SAMAZINĀTU UGUNSGRĒKU VAI ELEKTROŠOKU RISKU, IR SVARĪGI RŪPĪGI IEVĒROT ŠIS INSTRUKCIJAS.**
2. Pirms izmantot lādētāju, pārliedzinieties, vai norādītais spriegums katrā valstī ir pieejams.
3. Ja kontaktdakšas gals neatbilst strāvas kontaktligzda, izmantojiet pareizas

konfigurācijas pielikuma kontaktdakšas adapteri strāvas kontaktligzda.

### PAREIZA ŠĪ PRODUKTA LIKVIDĀCIJA:



Šis marķējums parāda, ka šo produktu aizliegts izmest kopā ar citiem sadzīves atkritumiem visā ES. Lai novērstu iespējamu kaitējumu videi vai cilvēka veselībai nekontrolētas atkritumu aizvākšanas dēļ, pārstrādājiet to atbildīgi, lai veicinātu materiālo resursu ilgtspējīgu otrreizēju izmantošanu. Lai atgrieztu savu lietoto ierīci, izmantojiet atgriešanas un savākšanas sistēmas vai sazinieties ar mazumtirgotāju, no kura produkts ticis iegādāts. Mazumtirgotājs var pieņemt šo produktu ekoloģiski drošai pārstrādei.

### Nederīgu bateriju un akumulatoru aizvākšana



Dalībvalstis nodrošina, ka ražotāji konstruē ierīces tā, lai nederīgās baterijas un akumulatori varētu tikt bez piepūles aizvākti. Gadījumos, kad gala lietotājam tos nav iespējams bez piepūles aizvākt, dalībvalstis nodrošina, ka ražotāji konstruē ierīces tā, lai nederīgās baterijas un akumulatorus bez piepūles varētu aizvākt kvalificēti un no ražotāja neatkarīgi profesionāļi. Ierīcēm, kurās iekļautas baterijas un akumulatori, jāpievieno instrukcijas par šo bateriju un akumulatoru drošu aizvākšanu, ko veic vai nu gala lietotājs, vai neatkarīgi kvalificēti profesionāļi. Ja nepieciešams, instrukcijas informē gala lietotāju par ierīcē iekļautās baterijas vai akumulatora tipiem.

## Nederlands (Vertaling van de originele instructies)

### ACCU

### SPECIFICATIES

EBSB2AH82

Accu: 72V = 2.0AH, 144Wh, 82V MAX

Spanning per cell: 3.6V ; Aantal cellen: 20

Oplaadtijd: 30 min. (gebruik EBSRC2 oplader)

EBSB4AH82

Accu: 72V = 4.0AH, 288Wh, 82V MAX

Spanning per cell: 3.6V ; Aantal cellen: 40

Oplaadtijd: 60 min. (gebruik EBSRC82 oplader)

Voor een correct gebruik, onderhoud en opslag van deze accu, is het van groot belang dat u de instructies in deze gebruiksaanwijzing leest en begrijpt.

Om ernstige letsels, brand- of explosiegevaar en gevaar op elektrische schok of elektrocutie te vermijden:

- GEEN geleidende materialen in de oplader steken.
- GEEN beschadigde of gebarsten accupacks in de oplader steken. Vervang het accupack door een nieuw exemplaar.
- UITSLUITEND de accupacks met dit type oplader opladen.
- GEEN vloeistoffen in de oplader toelaten.
- UITSLUITEND de oplader gebruiken voor de doeleinden die in deze gebruiksaanwijzing zijn beschreven.
- GEEN kortsluiting veroorzaken bij de terminals van het accupack.

### ⚠ WAARSCHUWING

Als de batterijvloeistof in uw ogen raakt, spoel dan onmiddellijk gedurende tenminste 15 minuten met schoon water. Raadpleeg onmiddellijk medische hulp. Laad het accupack niet op in de regen of natte omstandigheden. Dompel het werktuig, accupack of de oplader niet onder in water of een andere vloeistof.

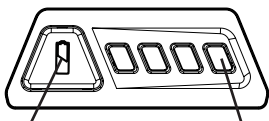
- Laat het accupack of de oplader niet oververhitten. Als ze warm zijn, laat u ze afkoelen. Herlaad uitsluitend bij kamertemperatuur.
- Dek de ventilatieopeningen bovenaan de oplader niet af. Zet de oplader nooit op een zacht oppervlak, vb. een deken of kussen. Houd de ventilatieopeningen van de oplader vrij.
- Voorkom dat kleine, metalen voorwerpen of materialen, zoals stalen wol, aluminiumfolie of andere vreemde deeltjes niet in de openingen van de oplader terecht komen.
- Haal de stekker van de oplader uit de contactdoos voor u hem schoonmaakt of als er zich geen accu in de oplader bevindt.
- Plaats het accupack niet in de zon of in een warme omgeving. Bewaar bij normale kamertemperatuur.
- Probeer twee opladers niet met elkaar te verbinden.
- Bewaar op een koele, droge plaats in de schaduw. Als de accu gedurende lange tijd niet is opgeladen, laadt u deze elke 2 maanden gedurende 2 uur op.
- De accupackcellen kunnen onder extreme gebruiksof temperaturomstandigheden een klein lek ontwikkelen. Als de buitenste zegel is verbroken en de vloeistof komt op uw huid terecht:
  - Was onmiddellijk af met water en zeep.
  - Neutraliseer met citroensap, azijn of een ander mild zuur.
- Als de vloeistof in uw ogen terecht komt, volg dan de bovenstaande instructies en raadpleeg een arts.
- Controleer voor gebruik als de outputspanning en stroom van de acculader geschikt is om het accupack op te laden.
- Gebruik de oplader niet in omstandigheden waar de output polariteit niet overeenkomt met de laadpolariteit.
- Uitsluitend voor binnenshuis gebruik.

## Nederlands (Vertaling van de originele instructies)

- De deksel mag in geen enkele omstandigheid worden geopend. Als het deksel is beschadigd, mag de oplader niet meer worden gebruikt.
- Herlaad nooit niet-herlaadbare accu's.

### ACCUCAPACITEIT CONTROLEREN

Druk op de accucapaciteitsindicator (ACI) knop. De lampjes zullen oplichten in overeenstemming met het accucapaciteitsniveau. Zie onderstaande kaart:



BATTERIJCAPACITEIT LICHTMETER  
INDICATOR (BCI)  
KNOP

Lampjes	Capaciteit
4 groene lampjes	De capaciteit van de batterij bedraagt meer dan 80%.
3 groene lampjes	De capaciteit van de batterij bedraagt tussen de 80% en 60%.
2 groene lampjes	De capaciteit van de batterij bedraagt tussen de 60% en 40%.
1 groen lampje	De capaciteit van de batterij bedraagt tussen de 40% en 25%.
Lampjes lichten niet op	De accu beschikt over een capaciteit van minder dan 25% en moet onmiddellijk worden opgeladen.

### OPMERKINGEN I.V.M. VEILIGHEID EN VOORZORGSMAATREGELEN

1. Demonteer de accu niet.
2. Buiten het bereik van kinderen houden.
3. Accu niet aan water of zoutwater blootstellen. Accu op een koele, droge plaats bewaren.
4. Accu niet in een warme locatie, zoals in de buurt van een vuur, verwarmingselement, etc. plaatsen.
5. De positieve en negatieve terminals van de accu niet omwisselen.
6. De positieve en negatieve terminals van de accu niet met elkaar of andere metalen voorwerpen verbinden.
7. Niet met de accu gooien, slaan of erop gaan staan.
8. Nooit rechtstreeks op de accu solderen of de accu met een nagel of andere werktuigen doorboren.
9. In geval de accu lekt en de vloeistof in de ogen terecht komt, niet in de ogen wrijven. Goed spoelen met water. Het gebruik van de accu onmiddellijk stopzetten als de accu tijdens het gebruik een ongewone geur uitstoot, warm aanvoelt, van kleur of vorm verandert of zich op een andere manier abnormaal gedraagt.

### ▲ WAARSCHUWING




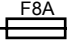
Om het risico op brand, elektrische schok of elektrocutie te voorkomen:

- Gebruik geen vochtige doek of detergent op de accu of acculader.
- Verwijder het accupack altijd voor u het schoonmaakt, inspecteert of onderhoudswerken aan het werktuig uitvoert.

### REINIGEN

Reinig de buitenkant van de oplader met een zachte, droge doek. Spoel of was niet met water.

## Nederlands (Vertaling van de originele instructies)

	Klasse II Dubbele isolatie
	Uitsluitend voor binnenshuis gebruik
	Lees de instructies voor het opladen
	Zekering

### ⚠ WAARSCHUWING

De machine mag niet worden gebruikt door personen (met inbegrip van kinderen) met verminderde fysieke, zintuigelijke of mentale vermogens of een gebrek aan ervaring en kennis, tenzij zij onder toezicht staan of instructies kregen. Kinderen onder toezicht mogen niet met de machine spelen.

- Kinderen mogen niet met de machine spelen.
- Reinigings- en onderhoudswerken mogen niet door kinderen worden uitgevoerd die niet onder toezicht staan.
- Als het stroomsnoer beschadigd is, moet dit door de fabrikant, zijn onderhoudsagent of een gelijkaardig gekwalificeerd persoon worden vervangen om gevaar te voorkomen.

### ⚠ WAARSCHUWING

Alle toxische stoffen moeten op een welbepaalde manier worden afgevoerd om milieuvervuiling te voorkomen. Voor u een beschadigde of versleten lithium-ion accupack weggooit, neemt u contact op met uw plaatselijk afvalverwerkingsbedrijf of het plaatselijk milieubeschermingsagentschap voor informatie en specifieke instructies. Breng de accu's naar een plaatselijk recyclage- en/of afvalverwerkingscentrum, dat gecertificeerd is voor de afvoer van li-ion producten.

### ⚠ WAARSCHUWING

Als het accupack barsten vertoont of defect is met ofzonder lekken, herlaad u de accu niet en gebruikt u deze niet meer. Gooi de accu weg en vervang deze door een nieuw accupack. **PROBEER HET ACCUPACK NIET TE REPAREREN!**

Om het risico op verwondingen en brand of explosiegevaar en elektrische schok te vermijden en om het milieu te beschermen:

- Accuterminals met zware plakband beschermen.
- NOOIT proberen om onderdelen van het accupack te verwijderen of vernietigen.
- NOOIT proberen om een accupack te openen.

## ACCU OP EEN MILIEUVRIENDELIJKE MANIER VERWIJDEREN



De volgende toxische en corrosieve materialen werden inde accu's van het accupack van dit werktuig gebruikt:

Li-ion, een toxische stof.

### ⚠ WAARSCHUWING

■ Als het lek zich verder ontwikkelt, zijn de vrijgekomen elektrolyten corrosief en toxisch. **VERMIJD** contact met ogen of huid en niet inslikken.

- Accuen **NIET** bij het normaal huishoudelijk afval voegen.
- NOOIT verbranden.
- NOOIT plaatsen waar de accu's kunnen worden opgenomen op een stortplaats of een gemeentelijke afvalstroom voor vast afval.
- Breng de accu's naar een gecertificeerd recyclage-of afvoercentrum.

## Nederlands (Vertaling van de originele instructies)

### ACCULADER

#### SPECIFICATIES

82V oplader: EBSRC82

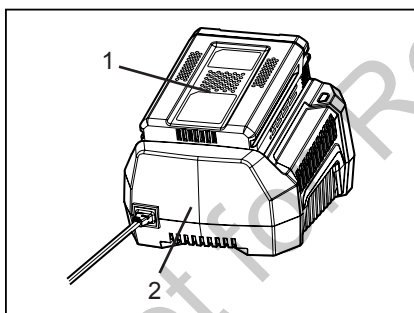
Input: 230V ~ 50/60Hz, 2.5A

Output: 82V = 4A

#### OPLAADPROCEDURE

**OPMERKING:** De accu wordt niet in een volledig opgeladen toestand verzonden. Het is aangewezen om de accu volledig op te laden voor gebruik om ervoor te zorgen dat de maximale looptijd kan worden bereikt. Deze lithium-ion accu zal geen geheugen ontwikkelen en kan op elk moment worden opgeladen.

1. Verbind de lader met een AC-stroomuitlaat.
2. Verbind het accupack (1) met de oplader (2).



Dit is een diagnostische oplader. De LEDlampjes van de oplader zullen automatisch in een specifieke volgorde oplichten om de huidige accustatus te melden. Zij zijn als volgt:

LED-STATUS	BESCHRIJVING
Knipperend groen	Opladen
Permanent groen	Volledig opgeladen
Permanent rood	Oververhit
Knipperend rood	Oplaadfout

Opmerking i.v.m. foutief defect:

Als de accu in de oplader wordt geïnstalleerd en de status-LED knippert, verwijdt u de accu van de lader gedurende 1 minuut en plaatst u de accu daarna terug. Als de status-LED normaal oplicht, is het accupack in orde. Als de status-LED nog steeds knippert, verwijdt u het accupack en trekt u de stekker van de oplader uit de contactdoos. Wacht 1 minuut en verbind de oplader opnieuw met de stroomtoevoer en plaats het accupack terug. Als de status-LED gewoon oplicht, is het accupack in orde. Als de status-LED nog steeds knippert, is het accupack defect en moet het worden vervangen.

**OPMERKING:** Als het rode indicatorlampje knippert, verwijdt u de accu uit de oplader en plaatst u deze binnen de twee uur terug. Als het indicatorlampje aangeeft dat de accu oplaadt, is de accu in orde. Na 2 uur verwijdt u de accu en trekt u de stekker van de oplader uit de contactdoos gedurende 1 minuut en stopt u daarna de stekker terug in de contactdoos en plaatst u de accu terug. Als het indicatorlampje aangeeft dat de accu oplaadt, is de accu in orde. Indien niet, moet de accu worden vervangen.

#### OPLADEN CONTROLEREN

Als het accupack niet goed oplaadt:

- Controleer de stroom aan de contactdoos met een ander werktuig. Zorg ervoor dat de contactdoos niet is uitgeschakeld.
- Controleer dat de opladercontacten niet zijn kortgesloten door afval of een vreemd voorwerp.
- Als de omgevingsluchttemperatuur niet gelijk is aan de normale kamertemperatuur, verplaatst u de oplader en het accupack naar een plaats waar de temperatuur zich tussen de 6 °C en 40 °C .

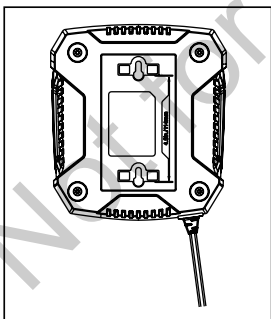
## Nederlands (Vertaling van de originele instructies)

### ▲ WAARSCHUWING

Als de accu in de oplader wordt geplaatst terwijl deze warm of heet is, kan het OPLAAD LED-indicatorlampje op de oplader oplichten en ROOD kleuren. Als dit gebeurt, laat u de accu weg van de oplader afkoelen gedurende ca. 30 minuten.

### MONTAGEBEUGEL OPLADER

1. Deze oplader kan hangend aan een muur worden geïnstalleerd met behulp van twee #8 schroeven (niet meegeleverd).
2. Bevestig de beugel voor de oplader aan de wand, waaraan deze moet worden bevestigd.
3. Gebruik twee houten schroeven om aan houten tappen vast te maken (niet inbegrepen).
4. Boor twee gaten in het midden op een afstand van 114,3 mm van elkaar en zorg ervoor dat ze verticaal zijn afgelijnd.
5. Bij bevestiging aan een gipswand, gebruikt u wandverankering en schroeven om de oplader aan de wand vast te maken.



**OPMERKING:** Als de accu en oplader gedurende lange tijd niet worden gebruikt, verwijdert u de accu uit de oplader en trekt u de stekker uit de contactdoos.

### BELANGRIJKE VEILIGHEIDSINSTRUCTIES

1. BEWAAR DEZE INSTRUCTIES – GEVAAR: OM HET RISICO OP BRAND OF ELEKTRISCHE SCHOK TE VERMINDEREN, VOLGT U DEZE INSTRUCTIES ZORGVULDIG OP.
2. Bevestig dat de spanning op de locatie beschikbaar is voor u de oplader gebruikt.
3. Als het scherpe uiteinde van de stekker niet in de contactdoos past, gebruikt u een stekkeradapter als hulpstuk met de correcte configuratie voor de contactdoos.

### CORRECTE AFVOER VAN DIT PRODUCT:



Deze markering geeft aan dat dit product in de EU niet mag worden weggegooid met ander huishoudelijk afval. Om mogelijke milieuschade of schade aan de gezondheid door ongecontroleerde afvalafvoer te voorkomen, dient u dit op een verantwoorde manier te recyclen ter promotie van het duurzaam hergebruik van grondstoffen. Om uw gebruikt apparaat terug te geven, brengt u dit naar een verzamelpunt of neemt u contact op met de handelaar waarbij het product werd aangekocht. Zij kunnen dit product aanvaarden vooreen milieuvriendelijke en veilige recyclage.

## Nederlands (Vertaling van de originele instructies)

### Verwijdering van afgedankte batterijen en accu's



De lidstaten zien erop toe dat fabrikanten apparaten zo ontwerpen dat afgedankte batterijen en accu's gemakkelijk eruit kunnen worden gehaald. Indien ze niet gemakkelijk eruit kunnen worden gehaald door de eindgebruiker, zien de lidstaten erop toe dat fabrikanten apparaten zo ontwerpen dat afgedankte batterijen en accu's gemakkelijk eruit kunnen worden gehaald door van de fabrikant onafhankelijke gekwalificeerde vaklieden. Apparaten met ingebouwde batterijen of accu's gaan vergezeld van een gebruiksaanwijzing waaruit blijkt hoe deze batterijen en accu's gemakkelijk eruit kunnen worden gehaald door de eindgebruiker of door onafhankelijke, gekwalificeerde vaklieden. Zo nodig bevat de gebruiksaanwijzing eveneens informatie over het type ingebouwde batterijen of accu's.



## Norsk(Oversettelse av original bruksanvisning)

### AKUMULATOR

#### SPECYFIKACJE

##### EBSB2AH82

Akumulator: 72V = 2.0AH, 144Wh, 82V maks

Napięcie ogniwa: 3.6V ; Liczba ogniw: 20

Czas ładowania: 30 min. (należy użyć ładowarki EBSRC82)

##### EBSB4AH82

Akumulator: 72V = 4.0AH, 288Wh, 82V maks

Napięcie ogniwa: 3.6V ; Liczba ogniw: 40

Czas ładowania: 60 min. (należy użyć ładowarki EBSRC82)

Aby zapewnić prawidłowe użytkowanie, konserwację oraz przechowywanie, bardzo ważne jest, aby użytkownik przeczytał i zrozumiał instrukcje zawarte w tym podręczniku.

Aby uniknąć poważnych obrażeń ciała, ryzyka pożaru, wybuchu oraz niebezpieczeństwa porażenia prądem elektrycznym lub śmiertelnego porażenia prądem elektrycznym:

- IKKE stikk ledende materialer inn i laderen.
- Hvis batteripakken er sprukket eller skadet på annen måte, IKKE sett den inn i laderen. Erstatt med en ny batteripakke.
- IKKE lad disse batteripakkene med noen annen type lader.
- IKKE la væske trenge inn i laderen.
- IKKE forsøk å bruke laderen i noen annen hensikt enn det som beskrives i denne manualen.
- IKKE forsøk å kortslutt noen av terminalene på batteripakken.

#### ▲ OSTRZEŻENIE

Hvis du får batterivæske i øynene må de umiddelbart skylles med store mengder vann i minst 15 minutter. Søk deretter umiddelbart medisinsk hjelp. Ikke lad batteripakken når det regner eller under våte forhold. Ikke senk verktøyet, batteripakken eller laderen i vann eller annen væske.

- Nie należy dopuszczać do przegrzania akumulatora ani ładowarki. Jeśli są one ciepłe, należy odczekać aż ostygną. Ładowanie należy przeprowadzać wyłącznie w temperaturze pokojowej.
- Nie należy zakrywać otworów wentylacyjnych w górnej części ładowarki. Nie należy ustawiać ładowarki na miękkiej powierzchni, np. na kocu lub na poduszce. Otwory wentylacyjne ładowarki powinny być drożne.
- Nie należy dopuszczać, aby małe metalowe przedmioty ani materiały takie jak wełna stalowa, folia aluminiowa lub inne obiekty znajdowały się w komorze ładowarki.
- Odłączaj ładowarkę przed czyszczeniem oraz gdy w ładowarce nie ma akumulatora.
- Nie należy umieszczać akumulatora na słońcu lub w ciepłym otoczeniu. Należy przechowywać urządzenie w temperaturze pokojowej.
- Nie należy łączyć ze sobą dwóch ładowarek.
- Jeśli akumulator nie jest ładowany przez długi czas, urządzenie należy przechowywać w chłodnych i suchych warunkach; akumulator należy ładować przez 2 godziny co 2 miesiące.
- W przypadku ekstremalnej eksploatacji lub w określonych warunkach temperaturowych może dojść do niewielkiego wycieku elektrolitu z ogniwa akumulatora. Jeśli zewnętrzna powłoka zostanie uszkodzona i wyciek dostanie się na skórę:
  - Należy natychmiast ztrzeć wyciek wodą z mydłem.
  - Należy zneutralizować elektrolit sokiem cytrynowym, octem lub innym łagodnym kwasem.
- Jeśli elektrolit dostanie się do oczu, należy postępować zgodnie z powyższymi instrukcjami i zwrócić się o pomoc medyczną.
- Należy sprawdzić przed użyciem, czy prąd i napięcie wyjściowe ładowarki akumulatorów są odpowiednie dla ładowanego akumulatora.
- Nie należy używać ładowarki w

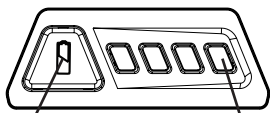
## Norsk(Oversettelse av original bruksanvisning)

okolicznościach, w których polaryzacja wyjściowa nie odpowiada polaryzacji ładowania.

- Tylko do użytku wewnętrznego.
- Pokrywa w żadnym wypadku nie może być otwarta. Jeśli pokrywa zostanie uszkodzona, nie można kontynuować używania ładowarki.
- Nie wolno ładować baterii nienadających się do ładowania.

### SPRAWDZANIE POJEMNOŚCI AKUMULATORA

Naciśnij przycisk wskaźnika pojemności akumulatora (BCI). Kontrolka świeci w zależności od poziomu pojemności akumulatora. Patrz wykres poniżej:



KNAPP FOR WSKAŹNIK  
BATTERIKAPA - DIODOWY  
SITETINDIKATOR(BCI)

Kontrolki	Pojemność
4 zielone kontrolki	Bateriet har mer enn 80% kapasitet.
3 zielone kontrolki	Bateriets kapasitet er på mellom 80% og 60%.
2 zielone kontrolki	Bateriets kapasitet er på mellom 60% og 40%
1 zielona kontrolka	Bateriets kapasitet er på mellom 40% og 25%
Kontrolki gasną	Akumulator jest naładowany na poziomie poniżej 25% pojemności i wymaga natychmiastowego ładowania.

### SIKKERHETSMERKNADER OG FORHOLDSREGLER

1. Ikke demonter batteriet.
2. Hold barn vekke fra batteriene og laderen.
3. Ikke eksponer batteriet mot vann eller saltvann, batterier må oppbevares på et kjølig og tørt sted som muliggjør et kjølig og tørt lagringsmiljø.
4. Ikke plasser batteriet i et område med høy temperatur, som i nærheten av åpen ild, en varmeovn eller lignende.
5. Ikke reverser batteriets positive og negative terminal.
6. Ikke forbind den positive og den negative terminalen til hverandre med noen form for metallgjenstander.
7. Ikke slå eller stå på batteriet.
8. Ikke sveis eller lodd direkte på batteriet eller stikk spiker eller andre skarpe gjenstander inn i batteriet.
9. Du må ikke gni øynene dersom batteriet lekker og du får batterivæske i øynene. Skyll med rikelige mengder vann. Hvis det merkes uvanlig lukt, at batteriet føles varmt, endrer farge, endrer form eller framstår som unormalt på andre måter må bruken av batteripakken stanses umiddelbart.

#### ▲ ADVARSEL




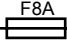
For å unngå fare for brann, støt eller dødelig elektrisk sjokk:

- Ikke bruk fuktige kluter eller vaskemidler på batteriet eller batteriladeren.
- Fjern alltid batteripakken før rengjøring, vedlikehold eller inspeksjon av verktøyet.

### RENGJØRING

Tørk av utsiden på batteriladeren med en tørr, myk klut. Ikke spyl med slange eller vask med vann.

## Norsk(Oversettelse av original bruksanvisning)

	Klasse II Dobbel isolering
	Kun for innendørs bruk.
	Les instruksjonene før lading
	Sikring

### ⚠ ADVARSEL

Dette utstyret er ikke ment brukt av personer (inklusive barn) med redusert fysisk, sensorisk eller mentale egenskaper eller mangel på erfaring og kunnskap om bruk av utstyret dersom de ikke får tilsyn eller er gitt instruksjon om bruken av en person som er ansvarlig for deres sikkerhet. Barn må overvåkes slik at de ikke leker med utstyret.

- Barn må ikke leke med utstyret.
- Rengjøring og vedlikehold må ikke utføres av barn uten tilsyn.
- Hvis den elektriske ledningen er skadet må den skiftes av produsenten, dennes servicerepresentant eller tilsvarende kvalifisert person for å unngå fare.

### MILJØMESSIG TRYGG BATTERIAVHENDING



Følgende giftige og korroderende materialer finnes i batteriene brukt i dette verktøyets batteripakke:

Li-ion, et giftig materiale.

### ⚠ ADVARSEL

Alle giftige materialer må avhendes på en spesifisert måte for å unngå forurensning av miljøet. Kontakt den lokale miljøetaten før du avhender skadede eller slitte Litiumion-batteripakker for å få informasjon og spesifikke instruksjoner. Ta med batteriene til et lokalt avfallsdeponi som er sertifisert for behandling av li-ionavfall.

### ⚠ ADVARSEL

Ikke lad opp igjen eller bruk en batteripakke som har sprukket eller gått i stykker på annen måte, enten det lekker ut væske eller ikke. Avhend den og erstatt den med en ny batteripakke. IKKE GJØR FORSØK PÅ Å REPARERE DEN!

For å unngå risiko for skade, brann, eksplosjon og støt, og for å unngå skade på miljøet:

- Dekk batteripakkens terminaler med en kraftig tape.
- IKKE gjør forsøk på å fjerne eller ødelegge noen del av batteripakkens komponenter.
- IKKE gjør forsøk på å åpne batteripakken.

### ⚠ ADVARSEL

■ Hvis det oppstår lekkasje vil elektrolytt som slipper ut være korroderende og giftig. IKKE få oppløsningen i øynene eller på huden eller svelg den.

■ IKKE plasser disse batteriene i husholdningsavfallet.

■ IKKE brenn.

■ IKKE plasser dem slik at de blir en del av avfallet på et ordinært avfallsdeponi, som kan blande seg med grunnvannet.

■ Ta dem med til en sertifisert resirkulasjonsstasjon eller deponi for spesialavfall.

## Norsk(Oversettelse av original bruksanvisning)

### BATTERILADER

#### SPESIFIKASJONER

82V lader: EBSRC82

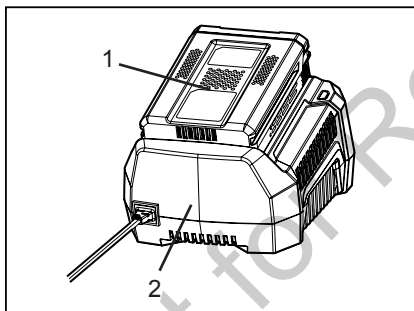
Input: 230V ~ 50/60Hz, 2.5A

Utgang: 82V = 4A

#### LADEPROSEDYRE

**MERK:** Batteriet sendes ikke fulladet. Det anbefales fullading før bruk for å sikre at det kan oppnås maksimal brukstid. Dette litiumion-batteriet vil ikke utvikle et minne og kan lades på ethvert tidspunkt.

- 1.Plugg støpslet til laderen inn i en vanlig strømkontakt.
- 2.Sett batteripakken (1) inn i laderen (2).



Dette er en diagnostisk lader. Laderens LEDlys vil tennes i en bestemt rekkefølge for å kommunisere gjeldende batteristatus. De er som følger:

LED-STATUS	BESKRIVELSE
Blinkende grønt	Lading
Fast grønt	Fulladet
Fast rødt	Overtemperatur
Blinkende rødt	Ladefeil

Falsk feilmelding:

Når batteriet settes inn i laderen og LED-lysene for status blinker, ta batteriet ut av laderen i 1 minutt og sett det så tilbake. Hvis LED-lysene viser normal status er batteripakken i orden. Fjern batteripakken og trekk ut støpslet på laderen dersom statuslysene fortsatt blinker. Vent i 1 minutt, sett inn støpslet igjen og sett tilbake batteripakken. Hvis LED-lysene viser normal status er batteripakken i orden. Hvis statuslysene fortsatt blinker er batteripakken defekt og må byttes.

**MERK:** Trekk batteripakken ut av laderen når det røde indikatorlyset blunker og sett den inn igjen innen 2 timer. Hvis indikatorlysene viser at det lades, er batteripakken i orden. Etter to timer skal batteripakken trekkes ut av laderen og støpslet til laderen trekkes ut av strømkontakten i 1 minutt hvoretter støpslet til strømkontakten og batteripakken settes tilbake. Hvis indikatorlysene viser at det lades, betyr det at batteripakken er i orden. Hvis ikke må batteripakken skiftes.

#### KONTROLL AV LADINGEN

Hvis batteripakken ikke lades normalt:

- Kontroller strømmen i strømuttaket med et annet verktøy eller lampe. Påse at strømmen ikke er slått av.
- Kontroller at laderkontaktene ikke er kortslettet av avfall eller fremmedmaterialer.
- Flytt laderen til et sted hvor temperaturen er mellom 6 °C og 40°C hvis omgivelsestemperaturen der laderen står ikke er normal romtemperatur.

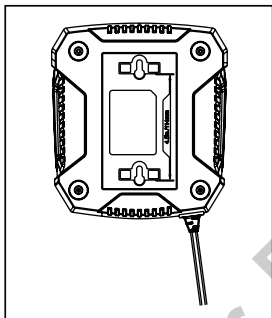
#### ⚠ ADVARSEL

Hvis batteripakken er varm når den settes inn i laderen kan indikatorlyset for LADING på laderen skifte til ORANSJE. Hvis dette skjer må batteriet gis tid til å kjøles ned utenfor laderen i ca. 30 minutter.

## Norsk(Oversettelse av original bruksanvisning)

### MONTERING AV LADEREN

1. Denne laderen kan festes til en vegg med to #8 skruer.
2. Bestem plasseringen av laderen som skal festes til veggen.
3. Bruk to treskruer hvis veggen der laderen skal festes er av tre(ikke inkludert).
4. Bor to hull med en avstand på 114,3 mellom sentrene på de to hullene og påse at de er i vater.
5. Hvis laderen skal festes på en murvegg (ikke inkludert) må det brukes plastplugger og skruer.



**MERK:** Hvis batteripakken og laderen ikke skal brukes over lang tid, fjern batteripakken fra laderen og trekk støpslet til strømledningen ut av veggkontakten.

### VIKTIGE SIKKERHETSINSTRUKSJONER

1. TA VARE PÅ DISSE INSTRUKSJONENE - FARE: FØLG DISSE INSTRUKSJONENE NØYE FOR Å REDUSERE FAREN FOR BRANN ELLER ELKTRISK STØT.
2. Bekreft tilgjengelig spenning for hvert enkelt land før laderen tas i bruk.
3. Hvis pluggene på støpslet ikke passer i strømkontakten, bruk en adapter som passer for kontakten.

### KORREKT AVHENDING AV DETTE PRODUKTET:



Merket viser at dette produktet ikke skal kastes sammen med husholdningsavfall. Sørg for ansvarlig resirkulasjon for å unngå mulig skader på helse og/eller miljø fra ukontrollert avhending av avfall og for å stimulere til bærekraftig gjenbruk av materielle ressurser. For å avhende brukt utstyr, bruk de offentliges retur- og oppsamlingssystemene eller kontakt stedet hvor produktet opprinnelig ble kjøpt. De kan sørge for at produktet resirkuleres på en miljømessig betryggende måte.

### Fjerning av brukte batterier og akkumulatører



Medlemsstatene skal sørge for at apparater er konstruert på en slik måte at brukte batterier og akkumulatører enkelt kan fjernes. Der de ikke enkelt kan fjernes av sluttbruker skal medlemsstatene sørge for at produsentene konstruerer sine apparater på en slik måte at brukte batterier og akkumulatører enkelt kan fjernes av kvalifiserte fagfolk som er uavhengige av produsenten. Apparater der batterier og akkumulatører er innebygget skal ha en medfølgende instruksjon om hvordan disse batteriene og akkumulatorene trygt kan fjernes, enten av sluttbruker eller av uavhengige kvalifiserte fagfolk. Der det lar seg gjøre skal instruksjonene også informere sluttbruker om hvilke typer batterier og akkumulatører som er bygget inn i apparatet.

## Polski (Tłumaczenie oryginalnej instrukcji)

### AKUMULATOR

#### SPECYFIKACJE

EBSB2AH82

Akumulator: 72V  $\approx$  2.0AH, 144Wh, 82V maks.

Napięcie ogniwa: 3.6V ; Liczba ogniw: 20

Czas ładowania: 30 min. (należy użyć ładowarki EBSRC82 )

EBSB4AH82

Akumulator: 72V  $\approx$  4.0AH, 288Wh, 82V maks.

Napięcie ogniwa: 3.6V ; Liczba ogniw: 40

Czas ładowania: 60 min. (należy użyć ładowarki EBSRC82 )

Aby zapewnić prawidłowe użytkowanie, konserwację oraz przechowywanie, bardzo ważne jest, aby użytkownik przeczytał i zrozumiał instrukcje zawarte w tym podręczniku.

Aby uniknąć poważnych obrażeń ciała, ryzyka pożaru, wybuchu oraz niebezpieczeństwa porażenia prądem elektrycznym lub śmiertelnego porażenia prądem elektrycznym:

- NIE NALEŻY dotykać ładowarki materiałami przewodzącymi.
- W przypadku pęknięcia lub uszkodzenia akumulatora NIE NALEŻY go umieszczać w ładowarce. Wymień akumulator na nowy.
- Akumulatorów NIE NALEŻY ładować za pomocą ładowarki innego typu.
- NIE NALEŻY dopuścić, aby do wnętrza ładowarki przedostały się jakiegokolwiek płyny.
- NIE NALEŻY stosować ładowarki do innego celu niż zgodnie z instrukcją opisaną w niniejszym podręczniku.
- NIE NALEŻY zwierać styków akumulatora.

#### ▲ OSTRZEŻENIE

Jeśli płyn z akumulatora dostanie się do oczu, należy natychmiast przepłukać je czystą wodą przynajmniej przez 15 minut. Należy natychmiast zgłosić się po pomoc medyczną. Nie należy ładować akumulatora w deszczu ani w wilgotnych warunkach. Nie należy zanurzać narzędzia, akumulatora ani ładowarki w wodzie ani w innych płynach.

- Nie należy dopuszczać do przegrzania akumulatora ani ładowarki. Jeśli są one ciepłe, należy odczekać aż ostygną. Ładowanie należy przeprowadzać wyłącznie w temperaturze pokojowej.
- Nie należy zakrywać otworów wentylacyjnych w górnej części ładowarki. Nie należy ustawiać ładowarki na miękkiej powierzchni, np. na kocu lub na poduszce. Otwory wentylacyjne ładowarki powinny być drożne.
- Nie należy dopuszczać, aby małe metalowe przedmioty ani materiały takie jak wełna stalowa, folia aluminiowa lub inne obiekty znajdowały się w komorze ładowarki.
- Odłączaj ładowarkę przed czyszczeniem oraz gdy w ładowarce nie ma akumulatora.
- Nie należy umieszczać akumulatora na słońcu lub w ciepłym otoczeniu. Należy przechowywać urządzenie w temperaturze pokojowej.
- Nie należy łączyć ze sobą dwóch ładowarek.
- Jeśli akumulator nie jest ładowany przez długi czas, urządzenie należy przechowywać w chłodnych i suchych warunkach; akumulator należy ładować przez 2 godziny co 2 miesiące.
- W przypadku ekstremalnej eksploatacji lub w określonych warunkach temperaturowych może dojść do niewielkiego wycieku elektrolitu z ogniwa

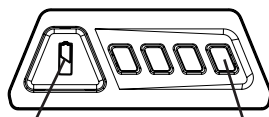
## Polski (Tłumaczenie oryginalnej instrukcji)

akumulatora. Jeśli zewnętrzna powłoka zostanie uszkodzona i wyciek dostanie się na skórę:

- Należy natychmiast ztrzeć wyciek wodą z mydłem.
- Należy zneutralizować elektrolit sokiem cytrynowym, octem lub innym łagodnym kwasem.
- Jeśli elektrolit dostanie się do oczu, należy postępować zgodnie z powyższymi instrukcjami i zwrócić się o pomoc medyczną.
- Należy sprawdzić przed użyciem, czy prąd i napięcie wyjściowe ładowarki akumulatorów są odpowiednie dla ładowanego akumulatora.
- Nie należy używać ładowarki w okolicznościach, w których polaryzacja wyjściowa nie odpowiada polaryzacji ładowania.
- Tylko do użytku wewnętrznego.
- Pokrywa w żadnym wypadku nie może być otwarta. Jeśli pokrywa zostanie uszkodzona, nie można kontynuować używania ładowarki.
- Nie wolno ładować baterii nienadających się do ładowania.

### SPRAWDZANIE POJEMNOŚCI AKUMULATORA

Naciśnij przycisk wskaźnika pojemności akumulatora (BCI). Kontrolka świeci w zależności od poziomu pojemności akumulatora. Patrz wykres poniżej:



PRZYCISK WSKAŹNIKA  
POJEMNOŚCI WSKAŹNIK  
AKUMULATORA (BCI) DIODOWY

Kontrolki	Pojemność
4 zielone kontrolki	Akumulator jest naładowany na poziomie ponad 80%.
3 zielone kontrolki	Akumulator jest naładowany na poziomie od 80% do 60%.
2 zielone kontrolki	Akumulator jest naładowany na poziomie od 60% do 40%.
1 zielona kontrolka	Akumulator jest naładowany na poziomie od 40% do 25%.
Kontrolki gasną	Akumulator jest naładowany na poziomie poniżej 25% pojemności i wymaga natychmiastowego ładowania.

### UWAGI I ZALECENIA DOTYCZĄCE BEZPIECZEŃSTWA

1. Nie należy rozbiierać akumulatora.
2. Należy przechowywać z dala od dzieci.
3. Nie należy narażać akumulatora na działanie wody ani słonej wody. Akumulator powinien być przechowywany w chłodnym i suchym miejscu.
4. Nie należy umieszczać akumulatora w miejscach o wysokiej temperaturze, na przykład w pobliżu ognia, grzejnika itp.
5. Nie należy odwracać dodatniego i ujemnego bieguna akumulatora.
6. Nie należy zwierać ze sobą dodatniego i ujemnego bieguna akumulatora za pomocą metalowych obiektów.
7. Nie należy uderzać, wstrząsać ani deptać akumulatora.

## Polski (Tłumaczenie oryginalnej instrukcji)

8. Nie należy lutować bezpośrednio powierzchni akumulatora ani nie należy przekłuwać akumulatora gwoździami lub innymi ostrymi przedmiotami.
9. Jeśli z akumulatora wycieka elektrolit i dostanie się on do oka, nie należy trzeć oka. Należy przemyć dokładnie wodą. Należy natychmiast zaprzestać korzystania z akumulatora, jeśli podczas korzystania z akumulatora wydziela on nietypowy zapach, staje się gorący, zmienia kolor lub kształt albo gdy wystąpią inne nieprawidłowości.




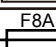
### ▲ OSTRZEŻENIE

Aby uniknąć pożaru i porażenia prądem elektrycznym (również ze skutkiem śmiertelnym):

- Nie używaj mokrej szmatki ani detergentów do czyszczenia akumulatora i ładowarki.
- Zawsze wyjmuj akumulator przed przystąpieniem do czyszczenia, przeglądu lub konserwacji narzędzia.

### CZYSZCZENIE

Wytrzyj zewnętrzną powierzchnię ładowarki suchą, miękką szmatką. Nie wolno polewać wodą ani czyścić przy użyciu wody.

	Klasa II Podwójna izolacja
	Tylko do użytku wewnętrznego
	Przed rozpoczęciem ładowania należy zapoznać się z instrukcjami
	Bezpiecznik

### ▲ OSTRZEŻENIE

Niniejsze urządzenie nie jest przeznaczone do użytku przez osoby (także dzieci) o obniżonych możliwościach fizycznych, czuciowych czy umysłowych, lub bez właściwego doświadczenia czy wiedzy, chyba że będą nadzorowane lub instruowane. Należy nadzorować dzieci, aby nie bawiły się urządzeniem.

- Dzieci nie powinny bawić się urządzeniem.
- Czyszczenie i konserwacja nie powinny być wykonywane przez dzieci bez odpowiedniego nadzoru.
- W przypadku uszkodzenia przewodu zasilania, powinien go wymienić producent, autoryzowany punkt serwisowy lub osoba posiadająca odpowiednie kwalifikacje, aby uniknąć niebezpieczeństwa.

### UTYLIZACJA ZUŻYTEGO AKUMULATORA ZGODNIE Z ZASADAMI OCHRONY ŚRODOWISKA



W tym akumulatorze występują następujące toksyczne i korozyjne materiały:

Związki litowo-jonowe, toksyczny materiał.

### ▲ OSTRZEŻENIE

Wszystkie materiały toksyczne muszą być usuwane w odpowiedni sposób, aby nie dopuścić do zanieczyszczenia środowiska. Przed usunięciem uszkodzonych lub zużytych akumulatorów litowojonowych należy skontaktować się z lokalnym punktem utylizacji odpadów lub z lokalną agencją ochrony środowiska, aby uzyskać informacje oraz określone instrukcje. Należy dostarczyć akumulatory do lokalnego punktu recyklingu oraz/lub utylizacji, który ma uprawnienia do przetwarzania akumulatorów litowojonowych.



## Polski (Tłumaczenie oryginalnej instrukcji)

### ▲ OSTRZEŻENIE

Ikke lad opp igjen eller bruk en batteripakke som har sprukket eller gått i stykker på annen måte, enten det lekker ut væske eller ikke. Avhend den og erstatt den med en ny batteripakke. IKKE GJØR FORSØK PÅ Å REPARERE DEN!

For å unngå risiko for skade, brann, eksplosjon og støt, og for å unngå skade på miljøet:

- Należy zabezpieczyć styki akumulatora za pomocą mocnej taśmy klejącej.
- NIE próbuj usuwać ani niszczyć elementów akumulatorów.
- NIE próbuj otwierać akumulatora.

### ▲ OSTRZEŻENIE

- Jeśli wystąpi wyciek, wydobywający się elektrolit ma właściwości korozyjne i toksyczne. NIE dopuść do kontaktu elektrolitu z oczami lub skórą oraz nie połkajaj go.
- NIE wyrzucaj akumulatorów wraz z normalnymi odpadkami domowymi.
- NIE WOLNO palić tych elementów.
- NIE WOLNO umieszczać ich w miejscach, w których mogą stać się one częścią składowiska odpadów lub wysypiska śmieci.
- Należy dostarczyć je do odpowiedniego punktu recyklingu lub zbiórki odpadów.

## ŁADOWARKA AKUMULATORÓW

### SPECYFIKACJE

Ładowarka 82V: EBSRC82

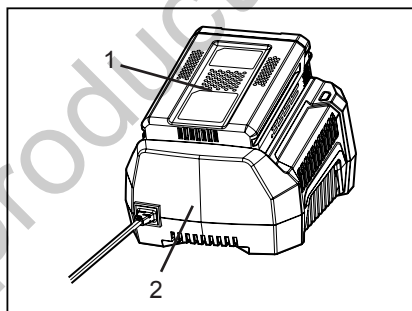
Zasilanie: 230V ~ 50/60Hz, 2.5A

Napięcie wyjściowe: 82V = 4A

### PROCEDURA ŁADOWANIA

*UWAGA: Akumulator nie jest dostarczany w pełni naładowany. W celu zapewnienia maksymalnego czasu pracy zalecamy, aby całkowicie naładować akumulator przed użyciem. Ten akumulator litowo-jonowy nie wykazuje efektu pamięci i można ładować go w dowolnym czasie.*

1. Podłącz ładowarkę do gniazda elektrycznego AC.
2. Włóż akumulator (1) do ładowarki (2).



Jest to ładowarka diagnostyczna. Kontrolki ładowarki zaświecą się w określonej kolejności, sygnalizując aktualny stan akumulatora. Oto następujące kolory kontrolki:

STAN DIODY	OPIS
Miga na zielono	Ładowanie
Świeci na zielono	Całkowicie naładowany
Świeci na czerwono	Przegrzanie
Miga na czerwono	Błąd ładowania

## Polski (Tłumaczenie oryginalnej instrukcji)

Powiadomienie o fałszywej usterce:

Gdy akumulator zostanie włożony do ładowarki i miga kontrolka stanu minutę, wyjmij akumulator z ładowarki na 1 minutę i następnie włóż ponownie. Jeśli kontrolka stanu wskazuje prawidłowy stan, oznacza to, że akumulator jest sprawny. Jeśli kontrolka nadal miga, wyjmij akumulator i odłącz ładowarkę. Należy odczekać 1 minutę i podłączyć ładowarkę z powrotem oraz ponownie włożyć akumulator. Jeśli kontrolka stanu wskazuje prawidłowy stan, oznacza to, że akumulator jest sprawny. Jeśli kontrolka stanu nadal miga, oznacza to, że akumulator jest uszkodzony i należy go wymienić.

**UWAGA:** Gdy miga czerwona kontrolka, należy odłączyć akumulator od ładowarki i włożyć ponownie w ciągu 2 godzin. Jeśli kontrolka wskazuje ładowanie, oznacza to, że akumulator jest naładowany. Po 2 godzinach należy wyjąć akumulator i odłączyć również wtyczkę AC zasilacza na 1 minutę, a następnie podłączyć wtyczkę zasilania AC ponownie do gniazda elektrycznego i włożyć akumulator. Jeśli kontrolka wskazuje ładowanie, oznacza to, że akumulator jest naładowany. W przeciwnym razie należy wymienić akumulator.

### SPRAWDZANIE ŁADOWANIWA

Jeśli akumulator nie ładuje się prawidłowo:

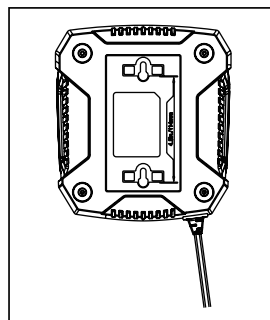
- Należy sprawdzić natężenie prądu gniazda elektrycznego za pomocą odpowiedniego miernika. Upewnij się, że gniazdo nie jest wyłączone.
- Upewnij się, że styki ładowarki nie zostały zwarte przez zanieczyszczenia lub inne obce materiały.
- Jeśli temperatura powietrza otoczenia nie jest normalna, należy przenieść ładowarkę w miejsce, w którym temperatura wynosi od 6°C do 40°C.

### ▲ OSTRZEŻENIE

Jeśli akumulator jest włożony do ładowarki, kiedy jest ciepły lub gorący, na ładowarce może świecić się na CZERWONO KONTROLKA ŁADOWANIA. W takim przypadku należy wyjąć akumulator z ładowarki i poczekać około 30 minut, aż ostygnie.

### MOCOWANIE ŁADOWARKI

1. Ładowarka może być zamocowana na ścianie za pomocą dwóch śrub rozmiaru 8 (brak w zestawie).
2. Znajdź odpowiednie miejsce na ścianie do zamontowania ładowarki.
3. W przypadku mocowania do drewnianej beki należy użyć 2 wkrętów do drewna (brak w zestawie).
4. Wywiercić dwa otwory na środku w odległości 114,3 mm, zwracając uwagę na dokładne wypoziomowanie w pionie.
5. W przypadku mocowania ładowarki do ściany z płyty kartonowo-gipsowej (brak w zestawie) należy użyć kotew ściennych i wkrętów.



**UWAGA:** Jeśli akumulator i ładowarka nie będą używane przez dłuższy czas, należy wyjąć akumulator z ładowarki i wyciągnąć wtyczkę z gniazda elektrycznego.

## Polski (Tłumaczenie oryginalnej instrukcji)

### WAŻNE INSTRUKCJE DOTYCZĄCE BEZPIECZEŃSTWA

1. ZACHOWAJ TE INSTRUKCJE – NIEBEZPIECZEŃSTWO: ABY OGRANICZYĆ RYZYKO PORAŻENIA PRĄDEM ELEKTRYCZNYM, NALEŻY DOKŁADNIE STOSOWAĆ SIĘ DO TYCH INSTRUKCJI.
2. Przed użyciem ładowarki należy potwierdzić napięcie zasilania w danym kraju.
3. Jeśli kształt wtyczki nie pasuje do gniazda elektrycznego, należy użyć odpowiedniego adaptera wtyczki.

### Właściwa utylizacja tego produktu:



To oznaczenie wskazuje, że tego produktu nie wolno wyrzucać razem z innymi odpadkami gospodarstwa domowego w całej UE. Aby uniknąć szkodliwego wpływu na środowisko naturalne lub zdrowie ludzi na skutek niekontrolowanego usuwania odpadów, należy prowadzić odpowiedzialny recykling w celu promowania ponownego wykorzystania materiałów. Aby zwrócić zużyte urządzenie, należy skorzystać z systemu zbiórki produktów lub skontaktować się ze sprzedawcą, u którego produkt został zakupiony. Sprzedawcy mogą zapewnić recykling bezpieczny dla środowiska.

### Usuwanie zużytych baterii i kumulatorów



Państwa członkowskie zapewniają, aby producenci projektowali urządzenia w taki sposób, aby zużyte baterie i akumulatory mogły zostać łatwo usunięte. Jeżeli zużyte baterie i akumulatory nie mogą zostać łatwo usunięte przez użytkownika końcowego, państwa członkowskie zapewniają, aby producenci projektowali urządzenia w taki sposób, aby zużyte baterie i akumulatory mogły być łatwo usunięte przez wykwalifikowane podmioty profesjonalne niezależne od producenta. Do urządzeń, w których zamontowano baterie i akumulatory, należy dołączyć instrukcję wskazującą bezpieczny sposób ich usunięcia przez użytkownika końcowego albo niezależny wykwalifikowany podmiot profesjonalny. W stosownych przypadkach instrukcje informują także użytkownika końcowego o rodzaju baterii lub akumulatora zamontowanych w urządzeniu.

## Portugues (Tradução das instruções originais)

### BATERIA

#### ESPECIFICAÇÕES

EBSB2AH82

Bateria: 72V  $\approx$  2.0AH, 144Wh, 82V Máxima  
Tensão por célula: 3.6V ; Número de células: 20

Tempo de carregamento: 30 min. (utilizar um carregador EBSRC82)

EBSB4AH82

Bateria: 72V  $\approx$  4.0AH, 288Wh, 82V Máxima  
Tensão por célula: 3.6V ; Número de células: 40

Tempo de carregamento: 60 min. (utilizar um carregador EBSRC82)

Para o uso, a manutenção e o armazenamento corretos da bateria é essencial ler e compreender as instruções fornecidas neste manual.

Para evitar graves acidentes, perigo de incêndio, explosão e perigos derivados de choques elétricos e arcos voltaicos:

- NÃO sondar o carregador com materiais condutivos.
- Se o conector do grupo bateria estiver quebrado ou danificado, NÃO o introduza no carregador. Substitua-o com um novo grupo bateria.
- NÃO carregar estes grupos bateria com um tipo deferente de carregador.
- NÃO permitir a entrada de líquidos no interior do carregador.
- NÃO utilizar o carregador para finalidades diferentes daquelas indicadas neste manual.
- NÃO procurar curto-circuitar os terminais do grupo bateria.

#### ▲ AVISO

Se o líquido da bateria entrar em contato com os olhos, lave-os imediatamente com água limpa por ao menos 15 minutos. Contate imediatamente um médico. Não recarregar o grupo baterias debaixo da chuva ou em ambientes úmidos. Não mergulhar o aparelho, o grupo bateria ou o carregador na água ou em outros líquidos.

- Não permita que a bateria ou o carregador sobreaqueçam. Se ficarem quentes, deixe-os arrefecer. Recarregue apenas a temperatura ambiente.
- Não cubra as aberturas de ventilação na parte superior do carregador. Não coloque o carregador numa superfície macia como um cobertor ou almofada. Mantenha as aberturas de ventilação do carregador desobstruídas.
- Não permita que objetos pequenos de metal ou material como e aço, folha de alumínio, ou outras partículas estranhas entrem no interior da cavidade do carregador.
- Desligue o carregador antes de limpar e quando não houver nenhuma bateria no carregador.
- Não coloque a bateria exposta ao sol ou num ambiente quente. Mantenha a temperatura ambiente normal.
- Não tente conectar dois carregadores juntos.
- Mantenha à sombra, em ambiente seco e fresco, se a bateria não for carregada por um longo período de tempo; carregue a bateria durante 2 horas a cada 2 meses.
- As células da bateria podem desenvolver um pequeno vazamento em condições de uso ou temperaturas extremas. Se a vedação exterior for quebrada e o vazamento chegar à sua pele,
  - Use água e sabão para lavar imediatamente.
  - Neutralize com sumo de limão, vinagre ou outro ácido suave.
- Se a fuga entrar nos seus olhos, siga as

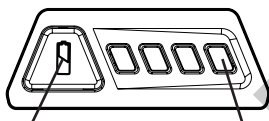
## Portugues (Tradução das instruções originais)

instruções acima e procure ajuda médica.

- Por favor, verifique antes de se a tensão e a corrente de saída do carregador de bateria são adequadas para a bateria de carregamento.
- Não use o carregador se a polaridade de saída não corresponder à polaridade de carga.
- Apenas para uso inferior.
- A tampa não pode, em circunstância alguma, ser aberta. Se a tampa ficar danificada, já não pode utilizar o carregador.
- Não recarregue baterias não recarregáveis.

### CONTROLE DA CAPACIDADE DA BATERIA

Carregar na tecla (BCI) Indicador de Capacidade da Bateria. As luzes acendemse conforme o nível de capacidade da bateria. Ver o esquema abaixo:



TECLA INDICADORA DE CARREGAMENTO DA BATERIA (ICB)      MEDIÇÃO

Luzes	Capacidade
4 luzes verdes	Abateriatemumcarregamento superior a 80%.
3 luzes verdes	Abateriatemumcarregamento entre 80% e 60%.
2 luzes verdes	Abateriatemumcarregamento entre 60% e 40%.
1 luz verde	Abateriatemumcarregamento entre 40% e 25%.
As luzes apagam-se	A bateria tem um carregamento inferior a 25%. A bateria deve ser carregada imediatamente.

### NOTAS DE SEGURANÇA E PRECAUÇÕES

1. NÃO desmontar a bateria.
2. Deixar fora do alcance das crianças.
3. NÃO expor a bateria à água doce ou salgada, conservar em um ambiente fresco e seco.
4. NÃO posicionar a bateria em locais excessivamente quentes, como ao lado de um fogão, um aquecedor, etc.
5. NÃO inverter os terminais negativo e positivo da bateria.
6. NÃO ligar o terminal positivo e negativo da bateria com objetos metálicos.
7. NÃO pisar, bater ou subir de pé sobre a bateria.
8. NÃO efetuar operações de solda na bateria, nem perfurá-la com pregos ou outros objetos pontiagudos.
9. Caso a bateria vazar e o fluido entrar no olho, não esfregue o olho. Enxaguar os bem com água. Interrompa imediatamente o uso da bateria se, enquanto estiver a usar a bateria, emitir um odor diferente, ficar quente, mudar de cor, mudar de forma, ou ficar estranha de alguma outra maneira.

### ▲ AVISO




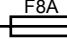
Para evitar riscos de incêndio, choques ou descargas elétricas:

- Não passar panos úmidos ou detergentes sobre a bateria ou sobre o carregador da bateria.
- Remover sempre o grupo bateria antes de limpar, inspecionar ou efetuar operações de manutenção no aparelho.

### LIMPEZA

Limpar a parte externa do carregador com um pano seco e macio. Não enxaguar com eventuais bombas nem limpar com água.

## Portugues (Tradução das instruções originais)

	Classe II Duplo isolamento
	Somente para uso interno
	Antes de carregar, leia as instruções
	F8A Fusível

### ▲ AVISO

O aparelho não deve ser utilizado por pessoas (incluindo crianças) com capacidades físicas, sensoriais ou mentais reduzidas, ou falta de experiência e conhecimento, a menos que tenham recebido supervisão ou instrução. As crianças não devem supervisionadas para não brincar com o aparelho.

- As crianças não devem brincar com o aparelho.
- A limpeza e manutenção pelo utilizador não deve ser feita por crianças sem supervisão.
- Se o cabo de alimentação estiver danificado, este tem que ser substituído pelo fabricante, o seu agente de assistência ou por pessoas similarmente qualificadas a fim de evitar um perigo.

## ELIMINAÇÃO ECOCOMPATÍVEL DA BATERIA



Os seguintes materiais tóxicos e corrosivos encontram-se no interior do grupo bateria utilizado com este aparelho:

Íons de lítio são materiais tóxicos.

### ▲ AVISO

Todos os materiais tóxicos devem ser eliminados de forma adequada para prevenir a contaminação ambiental. Antes de eliminar os grupos bateria aos íons de lítio danificados ou quebrados, contactara empresa local para a coleta e eliminação dos resíduos sólidos ou a Empresa Local de Proteção Ambiental para eventuais informações e instruções específicas. Levar as baterias para um centro de reciclagem e/ou eliminação certificado para a gestão dos materiais aos íons de lítio.

### ▲ AVISO

Se o grupo bateria rachar ou quebrar, com ou sem o vazamento de líquidos, não recarregá-lo nem utilizá-lo. Elimine-o e o substitua por um novo grupo bateria. **NÃO PROCURE CONSERTÁ-LO!**

Para evitar acidentes e riscos de incêndio, explosões ou choques elétricos, e para evitar danos ao ambiente:

- Cobrir os terminais da bateria com fita adesiva resistente.
- NÃO procurar remover ou destruir qualquer componente do grupo bateria.
- NÃO procurar abrir o grupo bateria.

### ▲ AVISO

- Os eletrólitos emitidos por eventuais vazamentos de líquidos do grupo bateria são corrosivos e tóxicos. Fazer com que o líquido NÃO entre em contato com os olhos e a pele e sobretudo não ingeri-lo.
- NÃO eliminar as baterias no lixo doméstico.
- NÃO queimar.
- NÃO deixar as baterias em locais que poderiam se tornar parte de um aterro ou de uma central local de tratamento de resíduos sólidos urbanos.
- Leve-os para um centro de reciclagem autorizado.

## Portugues (Tradução das instruções originais)

### CARREGADOR DA BATERIA

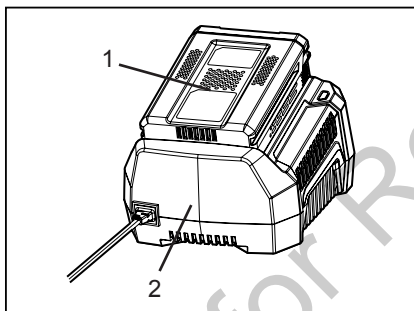
#### ESPECIFICAÇÕES

Carregador de 82V: EBSRC82  
 Entrada: 230V ~ 50/60Hz, 2.5A  
 Saída: 82V = 4A

#### PROCEDIMENTO DE CARREGAMENTO

*NOTA: A bateria não é enviada completamente carregada. Aconselha-se efetuar o carregamento antes da utilização para garantir o alcance do máximo tempo operacional. A bateria aos ions de lítio não tem uma memória e pode ser recarregada em qualquer momento.*

1. Ligar o carregador a uma tomada AC.
2. Introduzir o grupo bateria (1) no carregador (2).



Este carregador de baterias dispõe da função diagnóstica. Os indicadores LED do carregador irão iluminar-se numa ordem específica para comunicar o estado atual da bateria. Carga da bateria conforme a iluminação dos indicadores luminosos:

ESTADO LED	DESCRIÇÃO
Verde lampejante	Em carregamento
Verde fixo	Completamente carregado
Vermelho fixo	Temperatura muito alta
Vermelho intermitente	Erro de carregamento

A luz indica uma falsa avaria:

Quando a bateria for colocada no carregador e o LED de estado piscar, remover a bateria do carregador por 1 minuto e introduzi-la novamente. Se o estado do Led indicar “normal” significa que o grupo bateria funciona corretamente. Se o LED piscar novamente, remover o grupo bateria e desligar o carregador. Aguardar 1 minuto, ligar novamente o carregador e reintroduzir o grupo bateria. Se o estado do Led indicar “normal” significa que o grupo bateria funciona corretamente. Se o LED piscar novamente, significa que o grupo bateria é defeituoso e deve ser substituído.

*NOTA: Quando o indicador luminoso vermelho piscar, remover a bateria do carregador e reintroduzi-la dentro de duas horas. Se o indicador sinalizar o carregamento, a bateria estará em condições ideais. Se o indicador sinalizar o carregamento, a bateria a bateria e desligar a tomada AC do carregador por 1 minuto, reintroduzir a ficha na tomada AC e a bateria. Se o indicador sinalizar o carregamento, a bateria estará em condições ideais. Caso contrário, a bateria deverá ser substituída.*

#### CONTROLE DO CARREGADOR

Se o grupo bateria não se carregar corretamente:

- Controlar a corrente de saída com um outro aparelho. Verificar que a tomada não seja isolada.
- Controlar que os contatos do carregador não tenham sofrido um curto-circuito provocado por resíduos ou outros materiais.
- Se a temperatura do ar ambiental não for normal, deslocar o carregador e o grupo bateria num ambiente com temperatura entre os 6 °C e os 40 °C.

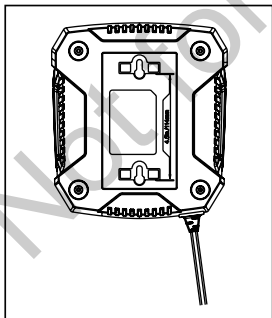
## Portugues (Tradução das instruções originais)

### ▲ AVISO

Se a bateria for inserida no carregador quando está quente ou superaquecida, o indicador luminoso a LED no carregador poderia ficar com uma luz VERMELHO. Neste caso, deixar arrefecer a bateria fora do carregador por aproximadamente 30 minutos.

### MONTAGEM DO CARREGADOR

1. Este carregador pode ser montado na parede utilizando dois parafusos #8 (não fornecidos).
2. Identificar o local na parede onde montar o carregador.
3. Para montar em paredes de madeira, usar 2 parafusos (não fornecidos) específicos para uso.
4. Efetuar dois furos no centro a uma distância de 114,3 mm, assegurando-se que estejam alinhados verticalmente.
5. Para montar em paredes de gesso cartonado, utilizar âncoras (não fornecidos) e parafusos de parede para a sua fixação.



**NOTA:** Se a bateria e o carregador não forem utilizados por muito tempo, remover a bateria do carregador e tirar a ficha da tomada AC.

### INSTRUÇÕES IMPORTANTES DE SEGURANÇA

1. CONSERVAR ESTAS INSTRUÇÕES - PERIGO: PARA REDUZIR O RISCO DE INCÊNDIO OU CHOQUES ELÉTRICOS É IMPORTANTE SEGUIR ATENTAMENTE ESTAS INSTRUÇÕES.
2. Antes de utilizar o carregador, verifique a voltagem disponível em cada País.
3. Se a ficha não encaixar na tomada, utilize um adaptador da configuração adequada para a tomada de energia.

### CORRETA ELIMINAÇÃO DESTE PRODUTO:



Esta marcação indica que este produto não deve ser eliminado com outros resíduos domésticos em toda a UE. Para impedir possíveis danos para o ambiente ou saúde humana devido à eliminação descontrolada de resíduos, recicle-o de modo responsável para promover a reutilização sustentável dos recursos materiais. Para devolver o seu aparelho usado, use os sistemas de recolha e devolução ou contacte o revendedor onde o produto foi comprado. Podem levar este produto para uma reciclagem ambiental segura.



**Portugues (Tradução das instruções originais)****Remoção de pilhas e acumuladores usados**

Os Estados-Membros devem assegurar que os fabricantes concebem aparelhos de modo a que os resíduos de baterias e acumuladores possam ser facilmente removidos. Sempre que não possam ser facilmente removidos pelo utilizador final. Os Estados-Membros devem assegurar que os fabricantes concebem aparelhos de modo a que os resíduos de baterias e acumuladores possam ser facilmente removidos por profissionais qualificados que são independentes do fabricante. Aparelhos em que as baterias e acumuladores estejam incorporados deve ser acompanhados de instruções sobre como essas baterias e acumuladores podem ser facilmente removidos por qualquer utilizador final ou por profissionais qualificados e independentes. Se necessário, as instruções também devem informar o utilizador final dos tipos de baterias ou acumuladores incorporados no aparelho.

## Română (Traducere din versiunea originală a instrucțiunilor)

### ACUMULATOR

#### SPECIFICAȚII

EBSB2AH82

Acumulator: 72V  $\approx$  2.0AH, 144Wh, 82V MAX  
Tensiune celulă: 3.6V ; Număr celule: 20  
Timp de încărcare: 30 min. (utilizați un încărcător EBSRC82)

EBSB4AH82

Acumulator: 72V  $\approx$  4.0AH, 288Wh, 82V MAX  
Tensiune celulă: 3.6V ; Număr celule: 40  
Timp de încărcare: 60 min. (utilizați un încărcător EBSRC82)

Pentru informații privind întreținerea și depozitarea corectă a acumulatorului, citiți cu atenție instrucțiunile din manualul de față.

Pentru a evita leziunile grave, riscurile de incendiu, explozie și pericolele cauzate de șocuri electrice și arcuri voltaice:

- NU probați încărcătorul cu materiale conductoare.
- Dacă recipientul grupului acumulator este defect sau deteriorat, NU-l introduceți în încărcător. Înlocuiți cu un grup acumulator nou.
- NU încărcați aceste grupuri acumulator cu un alt tip de încărcător.
- NU permiteți intrarea de lichid în interiorul încărcătorului.
- NU utilizați încărcătorul în alte scopuri decât cele indicate în acest manual.
- NU încercați să scurtcircuitați terminalele grupului acumulator.

#### ⚠ ATENȚIE!

Dacă lichidul acumulatorului intră în contact cu ochii, spălați imediat cu apă curată timp de cel puțin 15 minute. Adresați-vă imediat medicului. Nu încărcați grupul de acumulator în ploaie sau în medii umede. Nu introduceți scula, grupul acumulator sau încărcătorul în apă sau în alte lichide.

- Evitați supraîncălzirea grupului acumulator sau a încărcătorului. Dacă sunt calde, lăsați-le să se răcească. Încărcați numai la temperatura mediului ambiant.
- Nu acoperiți grilajele de ventilare prezente pe partea superioară a încărcătorului. Nu poziționați încărcătorul pe o suprafață moale, cum ar fi o pătură sau o pernă. Păstrați grilajele de ventilare întotdeauna curate.
- Evitați intrarea obiectelor mici sau a materialelor precum lâna de oțel, foliile din aluminiu sau a altor particule în cavitățile încărcătorului.
- Înainte de a curăța încărcătorul sau când nu este prezent un grup de acumulator în interiorul acestuia, deconectați-l.
- NU poziționați grupul acumulator sub lumina directă a soarelui sau într-un mediu cald. Păstrați-l întotdeauna la o temperatură normală a mediului ambiant.
- NU încercați să conectați două încărcătoare în mod simultan.
- Dacă acumulatorul nu este încărcat pentru o perioadă lungă de timp, păstrați-l întotdeauna la umbră, în locuri răcoroase și uscate. Încărcați acumulatorul timp de 2 ore la fiecare 2 luni.
- Dacă sunt utilizate prea mult sau la temperaturi extreme, celulele grupului acumulator pot prezenta pierderi mici. Dacă sigiliul exterior se rupe, iar lichidul intră în contact cu pielea:
  - Spălați-vă imediat cu apă și săpun.
  - Neutralizați cu suc de lămâie, oțet sau alți acizi slabi.
- Dacă lichidul intră în contact cu ochii, aplicați instrucțiunile de mai sus și adresați-vă medicului.
- Înainte de utilizare, controlați ca tensiunea de ieșire și curentul încărcătorului acumulatorului să fie adecvate pentru încărcarea grupului de acumulator.
- Dacă polaritatea de ieșire nu corespunde cu cea de încărcare, NU utilizați

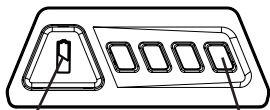
## Română (Traducere din versiunea originală a instrucțiunilor)

încărcătorul.

- Doar pentru utilizarea în medii interne.
- NU deschideți în niciun caz capacul. Dacă capacul este deteriorat, încărcătorul NU mai poate fi utilizat.
- NU încărcați acumuloare care nu sunt reîncărcabile.

### CONTROLUL CAPACITĂȚII ACUMULATORULUI

Apăsăți tasta (BCI) Indicator de Capacitate Acumulator. Luminile se vor aprinde în funcție de nivelul de capacitate a acumulatorului. Vezi schema de mai jos:



TASTĂ PENTRU ÎNCĂRCĂTOR (ICB) MĂSURARE

Lumini	Capacitate
4 Lumini verzi	Bateria este încărcată mai mult de 80%.
3 Lumini verzi	Bateria este încărcată între 80% și 60%.
2 Lumini verzi	Bateria este încărcată între 60% și 40%.
1 Lumină verde	Bateria este încărcată între 40% și 25%.
Luminile se sting	Bateria este încărcată mai puțin de 25%. Bateria trebuie să fie încărcată imediat.

### NOTE DE SIGURANȚĂ ȘI PRECAUȚII

1. NU demontați acumulatorul.
2. A nu se lăsa la îndemâna copiilor.
3. NU expuneți acumulatorul la apă dulce sau sărată, poziționați-l într-un loc răcoros și uscat.
4. NU poziționați acumulatorul în locuri prea calde, precum lângă un foc, un radiator etc.
5. NU inversați terminalele, negativ și pozitiv, ale acumulatorului.
6. NU conectați terminalul, cel pozitiv și cel negativ, al acumulatorului cu obiecte metalice.
7. NU loviți, bateți sau urcați cu picioarele pe acumulator.
8. NU efectuați operații de sudare pe acumulator și nu îl găuriți cu cuie sau alte obiecte ascuțite.
9. În cazul în care acumulatorul prezintă pierderi de lichide care intră în contact cu ochii, nu frecați și clătiți bine cu apă. Întrerupeți utilizarea acumulatorului dacă acesta din urmă emite mirosuri neobișnuite, se supraîncălzește sau își schimbă culoarea/forma și are un aspect anormal.

### ⚠ ATENȚIE!




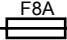
Pentru a evita riscurile de incendiu, electrocutări sau șocuri electrice:

- Nu ștergeți acumulatorul sau încărcătorul acumulatorului cu materiale textile umede sau detergenți.
- Înlăturați grupul acumulator înainte de a curăța, verifica sau efectua operații de întreținere asupra sculei.

### CURĂȚAREA

Curățați partea exterioră a încărcătorului cu un material textil uscat și moale. Nu clătiți cu eventuale pompe și nu curățați cu apă.

## Română (Traducere din versiunea originală a instrucțiunilor)

	Clasa II Izolare dublă
	Doar pentru utilizarea internă
	Înainte de utilizare citiți instrucțiunile
	Siguranță

### ⚠ ATENȚIE!

Aparatul nu trebuie folosit de persoane (inclusiv copii) cu capacități fizice, senzoriale și mintale reduse sau cu lipsă de experiență sau cunoștințe, decât dacă sunt supravegheate sau le-a fost oferită instruire. Copiii supravegheați nu trebuie să se joace cu aparatul.

- Copiii nu trebuie să se joace cu aparatul.
- Curățarea și întreținerea nu trebuie efectuată de copii fără a fi supravegheați.
- În cazul în care cablul de alimentare este deteriorat, el trebuie înlocuit de către producător, de agentul service sau persoane similare calificate, pentru a se evita un pericol.

## ELIMINAREA ECOLOGICĂ A ACUMULATORULUI



Următoarele materiale toxice și corozive se află în interiorul grupului acumulator utilizat cu această sculă:

Ionii de litiu sunt un material toxic.

### ⚠ ATENȚIE!

Toate materialele toxice trebuie eliminate în mod corespunzător pentru a preveni contaminarea mediului înconjurător. Înainte de a elimina grupurile acumulator cu ioni de litiu deteriorate sau defecte, contactați agenția locală pentru eliminarea deșeurilor sau Agenția locală pentru Protecția Mediului pentru eventuale informații și instrucțiuni specifice. Încredințați acumuloarele unui centru de reciclare și/sau eliminare autorizat pentru gestionarea materialelor cu ioni de litiu.

### ⚠ ATENȚIE!

Dacă grupul acumulator prezintă crăpături sau se rupe, cu sau fără pierderi de lichide, nu-l încărcați și nu-l utilizați. Eliminați și înlocuiți cu un grup acumulator nou. **NU ÎNCERCAȚI SĂ IL REPARAȚI!**

Pentru a evita riscurile de incendiu, explozii sau șocuri electrice și pentru a evita provocarea daunelor asupra mediului înconjurător:

- Acoperiți terminalele acumulatorului cu bandă adezivă rezistentă.
- NU încercați să înlăturați sau distrugeți componentele grupului acumulator.
- NU încercați să deschideți grupul acumulator.

### ⚠ ATENȚIE!

■ Electrolitii eliberați de eventualele scurgeri de lichide ale grupului acumulator sunt corozivi și toxici. Asigurați-vă că lichidul NU intră în contact cu ochii, pielea și, în special, nu-l înghițiți.

- NU aruncați acumuloarele împreună cu gunoiul menajer.
- NU ardeți.
- NU poziționați acumuloarele în locuri care pot deveni parte dintr-un depozit de deșeurii local sau de deșeurii solide urbane.
- Încredințați-le unui centru de reciclare autorizat.

## Română (Traducere din versiunea originală a instrucțiunilor)

# ÎNCĂRCĂTORUL ACUMULATORULUI

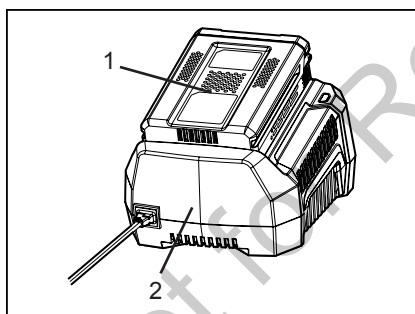
## SPECIFICAȚII

Încărcător de 82V: EBSRC82  
 Intrare: 230V ~ 50/60Hz, 2.5A  
 Ieșire: 82V = 4A

## ÎNCĂRCĂTORUL ACUMULATORULUI

*NOTA: Acumulatorul nu este livrat complet încărcat. Se recomandă încărcarea acestuia înainte de utilizare pentru a garanta atingerea timpului operativ maxim. Acumulatorul cu ioni de litiu nu are o memorie și poate fi încărcat în orice moment.*

1. Conectați încărcătorul la o priză AC.
2. Introduceți grupul acumulator (1) în încărcător (2).



Acesta este un încărcător diagnostic. Luminile LED ale încărcătorului se iluminează într-o ordine specifică pentru a comunica starea actuală a acumulatorului. Încărcarea acumulatorului în funcție de lumini:

STARE LED	DESCRIERE
Verde intermitent	În curs de încărcare
Verde fix	Încărcare finalizată
Roșu fix	Temperatură prea ridicată
Roșu intermitent	Eroare de încărcare

Lumina indică o defecțiune falsă:

Când acumulatorul este introdus în încărcător și LED-ul de stare este intermitent, scoateți acumulatorul din încărcător timp de 1 minut, apoi reintroduceți. Dacă starea LED-ului indică "normal", înseamnă că grupul acumulator funcționează. Dacă LED-ul este din nou intermitent, scoateți grupul acumulator și deconectați încărcătorul. Așteptați 1 minut, conectați din nou încărcătorul și reintroduceți grupul acumulator. Dacă starea LED-ului indică "normal", înseamnă că grupul acumulator funcționează. Dacă LED-ul continuă a fi intermitent înseamnă că grupul acumulator este defect și trebuie înlocuit.

*NOTA: Când indicatorul roșu este intermitent, extrageți acumulatorul din încărcător și reintroduceți în intervalul de 2 ore. Dacă indicatorul semnalează încărcarea, acumulatorul se află în condiții optime. După 2 ore, extrageți acumulatorul și deconectați priza AC de la încărcător timp de 1 minut, apoi reintroduceți priza AC și acumulatorul. Dacă indicatorul semnalează încărcarea, acumulatorul se află în condiții optime. În caz contrar acumulatorul trebuie înlocuit.*

## CONTROLUL ÎNCĂRCĂTORULUI

Dacă grupul acumulator nu se încarcă corect:

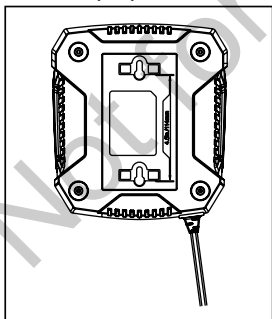
- Controlați curentul de ieșire cu un alt instrument. Asigurați-vă că priza nu este izolată.
- Controlați ca contactele încărcătorului să nu fi suferit un scurtcircuit cauzat de moloz sau alte materiale.
- Dacă temperatura aerului înconjurător nu este normală, mutați încărcătorul și grupul acumulator într-un mediu cu temperatura cuprinsă între 6°C și 40°C.

**Română (Traducere din versiunea originală a instrucțiunilor)****⚠ ATENȚIE!**

Dacă acumulatorul este introdus în încărcător atunci când acesta este cald sau supraîncălzit, lumina indicatorului LED de ÎNCĂRCARE de pe încărcător ar putea să se ilumineze cu lumină ROȘU. În cazul în care are loc această situație, lăsați acumulatorul să se răcească în afara încărcătorului timp de aproximativ 30 de minute.

**MONTAREA ÎNCĂRCĂTORULUI**

1. Acest încărcător poate fi montat pe perete cu două șuruburi #8 (neincluse).
2. Identificați locul de montare pe perete a încărcătorului.
3. Pentru a monta pe suprafețele din lemn utilizați 2 șuruburi adecvate (neincluse).
4. Efectuați două găuri în centru, la o distanță de 114,3 mm, asigurându-vă că sunt aliniate vertical.
5. Pentru montarea pe rigips utilizați ancore (neincluse) și șuruburi de perete pentru a fixa încărcătorul pe perete.



**NOTA:** Dacă acumulatorul și încărcătorul nu vor fi utilizați pentru o perioadă lungă de timp, scoateți acumulatorul din încărcător și deconectați priză AC.

**INSTRUCȚIUNI IMPORTANTE DE SIGURANȚĂ**

1. PĂSTRAȚI INSTRUCȚIUNILE DE FAȚĂ PERICOL: ÎN SCOPUL REDUCERII RISCULUI DE INCENDIU SAU ȘOCURI ELECTRICE ESTE IMPORTANTĂ RESPECTAREA STRICTĂ A ACESTOR INSTRUCȚIUNI.
2. Înainte de a utiliza încărcătorul, verificați tensiunea disponibilă în fiecare țară.
3. Dacă bornele ștecherului nu se potrivesc cu priză, folosiți un adaptor de priză cu configurarea corectă pentru priză de curent.

**ELIMINAREA CORECTĂ A ACESTUI PRODUS:**

Acest marcaj indică faptul că acest produs nu trebuie eliminat împreună cu deșeurile casnice, pe tot întreg teritoriul UE. Pentru a preveni posibila vătămare a mediului sau a sănătății umane prin eliminarea necontrolată a deșeurilor, reciclați responsabil pentru a promova o folosire sustenabilă a resurselor materiale. Pentru a returna produsul, vă rugăm folosiți sistemul de returnare și colectare sau contactați vânzătorul de unde ați cumpărat produsul. Ei pot duce acest produs în vederea reciclării sigure asupra mediului.

**Română (Traducere din versiunea originală a instrucțiunilor)****Eliminarea bateriilor și acumulatorilor  
uzați**

Statele Membre se vor asigura că producătorii proiectează aparatele în așa fel încât bateriile și acumulatorii uzați pot fi repede îndepărtați. Acolo unde nu pot fi repede îndepărtați de către utilizatorul final, Statele Membre se vor asigura că producătorii proiectează aparatele în așa fel încât bateriile și acumulatorii uzați pot fi repede îndepărtați de către persoane calificate ce sunt independente de producător. Aparatele în care bateriile și acumulatorii sunt încorporați în produs trebuie să fie însoțite de instrucțiuni despre cum aceste baterii și acumulatorii pot fi în siguranță îndepărtați fie de utilizatorul final sau de către personalul calificat independent. Acolo unde se consideră necesar, instrucțiunile vor informa de asemenea utilizatorul final de tipul de baterie sau acumulator încorporat în aparat.

## Русский (Перевод оригинальных инструкций)

### АККУМУЛЯТОР

#### СПЕЦИФИКАЦИИ

EBSB2AH82

Аккумулятор: 72 В  $\approx$  2.0 А/ч, 144 Вт/ч, макс. 82 В

Напряжение на элемент: 3.6 В ; количество элементов: 20

Продолжительность зарядки: 30 минут. (использовать зарядное устройство EBSRC82)

EBSB4AH82

Аккумулятор: 72 В  $\approx$  4.0 А/ч, 288 Вт/ч, макс. 82 В

Напряжение на элемент: 3.6 В ; количество элементов: 40

Продолжительность зарядки: 60 минут. (использовать зарядное устройство EBSRC82)

Для правильного использования, технического обслуживания и хранения данного аккумулятора очень важно прочитать и понять инструкции, приведенные в настоящем руководстве.

Чтобы избежать серьезных травм, риска пожара, взрыва и опасности удара электрическим током или смертельного поражения электротоком:

- ЗАПРЕЩАЕТСЯ зондировать зарядное устройство токопроводящими материалами.
- Если корпус аккумуляторной батареи треснул или поврежден, ЗАПРЕЩАЕТСЯ вставлять ее в зарядное устройство. Необходимо заменить устройство новой аккумуляторной батареей.
- ЗАПРЕЩАЕТСЯ заряжать эти аккумуляторные батареи с помощью любого другого типа зарядных

устройств.

- ЗАПРЕЩАЕТСЯ проникновение жидкости внутрь зарядного устройства.
- ЗАПРЕЩАЕТСЯ пытаться использовать зарядное устройство для любых других целей, кроме указанных в этом руководстве.
- ЗАПРЕЩАЕТСЯ пытаться закоротить любые клеммы аккумуляторной батареи.

#### ⚠ ПРЕДОСТЕРЕЖЕНИЕ

Если аккумуляторная жидкость попадет в глаза, необходимо немедленно промывать их чистой водой в течение как минимум 15 минут. Сразу же обратиться за медицинской помощью. Запрещается заряжать аккумуляторную батарею в дождь или влажную погоду. Запрещается погружать инструмент, аккумуляторную батарею или зарядное устройство в воду или другую жидкость.

- Запрещается допускать перегрев аккумуляторной батареи или зарядного устройства. Если эти устройства теплые, им необходимо дать остыть. Перезарядку проводить только при комнатной температуре.
- Запрещается закрывать вентиляционные отверстия на верхней части зарядного устройства. Запрещается ставить зарядное устройство на мягкую поверхность, т.е. одеяло, подушку. Необходимо следить, чтобы вентиляционные отверстия зарядного устройства оставались свободными.
- Запрещается попадание небольших металлических предметов или материалов, таких как стальная вата, алюминиевая фольга или другие посторонние частицы, в полость зарядного устройства.
- Отключать зарядное устройство до очистки, а также в тех случаях,



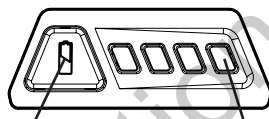
## Русский (Перевод оригинальных инструкций)

когда в зарядном устройстве нет аккумуляторной батареи.

- Запрещается оставлять аккумуляторную батарею на солнце или в теплом окружении. Хранить при обычной комнатной температуре.
- Запрещается пытаться подключить вместе два зарядных устройства.
- Хранить в полутемном, прохладном и сухом помещении, если аккумулятор не заряжается в течение долгого времени; заряжать аккумулятор в течение 2 часов каждые 2 месяца.
- В элементах аккумуляторной батареи может возникать небольшая утечка при экстремальных условиях использования или температуры. Если наружное уплотнение повреждено, и вытекшая жидкость попадет на кожу:
  - Немедленно смыть мыльной водой.
  - Нейтрализовать лимонным соком, уксусом или другой слабой кислотой.
- Если вытекшая жидкость попадет в глаза, необходимо выполнить вышеприведенные инструкции и обратиться за медицинской помощью.
- Следует проверить перед использованием, подходит ли выходное напряжение и ток зарядного устройства аккумулятора для зарядки аккумуляторной батареи.
- Запрещается использовать зарядное устройство в обстоятельствах, когда выходная полярность не совпадает с полярностью нагрузки.
- Только для использования в помещениях.
- Крышка ни при каких обстоятельствах не должна быть открыта. Если крышка повреждена, зарядное устройство больше не может использоваться.
- Запрещается перезаряжать не перезаряжаемые батареи.

### ПРОВЕРКА ЗАРЯДКИ АККУМУЛЯТОРА

Нажать кнопку индикатора зарядки аккумулятора (BCI). Загораются лампочки в соответствии с уровнем зарядки аккумулятора. См. нижеприведенную таблицу:



КНОПКА ИНДИКАЦИИ ИЗМЕРЕНИЕ ЗАРЯДКИ АККУМУЛЯТОРА (ICB)

Лампочки	Степень зарядки
4 зеленые лампочки	Заряд аккумулятора составляет более 80%.
3 зеленые лампочки	Заряд аккумулятора составляет от 80% до 60%.
2 зеленые лампочки	Заряд аккумулятора составляет от 60% до 40%.
1 зеленая лампочка	Заряд аккумулятора составляет от 40% до 25%.
Индикаторы выключаются	Заряд аккумулятора составляет менее 25%. Аккумулятор требует немедленной зарядки.

### ЗАМЕЧАНИЯ И ПРЕДОСТЕРЕЖЕНИЯ, КАСАЮЩИЕСЯ БЕЗОПАСНОСТИ

1. Запрещается разбирать аккумулятор.
2. Хранить в местах, недоступных для детей.
3. Запрещается подвергать аккумулятор воздействию воды или соленой воды, аккумулятор должен храниться в прохладном и сухом помещении; необходимо помещать аккумулятор в

## Русский (Перевод оригинальных инструкций)

прохладную и сухую атмосферу.

4. Запрещается помещать аккумулятор в места с высокой температурой, около огня, нагревателя и т.д.
5. Запрещается менять местами положительную и отрицательную клеммы аккумулятора.
6. Запрещается подключать положительную и отрицательную клеммы аккумулятора друг к другу с помощью любых металлических предметов.
7. Запрещается стучать по аккумулятору, ронять его или вставлять на аккумулятор.
8. Запрещается пайка непосредственно на аккумуляторе, а также пробивать аккумулятор гвоздями или другими острыми предметами.
9. В случае, если аккумулятор протекает, и жидкость попадет в глаза, запрещается тереть глаза. Тщательно промыть водой. Немедленно прекратить использование аккумулятора, если при использовании аккумулятор испускает необычный запах, если он горячий на ощупь, меняет цвет, меняет форму или любым другим образом кажется необычным.




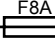
### ▲ ПРЕДОСТЕРЕЖЕНИЕ

Чтобы избежать опасности пожара, удара электрическим током или смертельного поражения электротоком:

- Запрещается пользоваться влажной тканью или растворителем для аккумулятора или зарядного устройства аккумулятора.
- Всегда извлекать аккумуляторную батарею перед чисткой, проверкой или выполнением любого обслуживания устройства.

### ОЧИСТКА

Протирать зарядное устройство снаружи сухой мягкой тканью. Запрещается окатывать или мыть водой.

	Класс II Двойная изоляция
	Исключительно для использования в помещении.
	Перед тем как приступить к зарядке, прочитайте инструкции
	предохранитель

### ▲ ПРЕДОСТЕРЕЖЕНИЕ

Данное устройство не предназначено для использования людьми с ограниченными физическими или умственными способностями или людьми с недостаточным опытом и знаниями (включая детей). Исключением является случай, когда они находятся под наблюдением или обучены пользованию устройством. Следите за тем, чтобы дети не играли с устройством.

- Детям запрещается играть с устройством.
- Не допускается выполнение очистки и обслуживания детьми без наблюдения взрослых.
- Если шнур питания поврежден, он должен быть заменен производителем, обслуживающей организацией или иным квалифицированным персоналом во избежание опасности.

### ЭКОЛОГИЧЕСКИ БЕЗОПАСНАЯ УТИЛИЗАЦИЯ АККУМУЛЯТОРА



В этой аккумуляторной батарее содержатся следующие токсичные и

**Русский (Перевод оригинальных инструкций)**

коррозионные материалы:

Ионы лития, токсичный материал.

**▲ ПРЕДОСТЕРЕЖЕНИЕ**

Токсичные материалы должны утилизироваться определенным образом, чтобы предотвратить загрязнение окружающей среды. Перед утилизацией поврежденных или изношенных аккумуляторных батарей необходимо связаться с местным агентством по утилизации или с местным агентством по защите окружающей среды для получения информации и конкретных инструкций. Сдать аккумуляторы в местный центр по переработке и/или утилизации, сертифицированный для утилизации ионов лития.

**▲ ПРЕДОСТЕРЕЖЕНИЕ**

Если аккумуляторная батарея треснула или сломалась, с утечкой или без утечки, запрещается ее перезаряжать или использовать. Батарею необходимо утилизировать и заменить ее новой аккумуляторной батареей. **ЗАПРЕЩАЮТСЯ ПОПЫТКИ ОТРЕМОНТИРОВАТЬ БАТАРЕЮ!**

Чтобы избежать опасности пожара, удара электрическим током или смертельного поражения электротоком:

- Закрывать клеммы аккумулятора клейкой лентой для тяжелых условий.
- **ЗАПРЕЩАЮТСЯ** попытки демонтировать или разрушить любой из компонентов аккумуляторной батареи.
- **ЗАПРЕЩАЕТСЯ** попытка открыть аккумуляторную батарею.

**▲ ПРЕДОСТЕРЕЖЕНИЕ**

- Если возникает утечка, вытекающий электролит является коррозионной и токсичной жидкостью. **НЕ ДОПУСКАТЬ** попадания раствора в глаза или на кожу; запрещается проглатывать раствор.
- **ЗАПРЕЩАЕТСЯ** помещать эти аккумуляторы в обычный бытовой мусор.
- **ЗАПРЕЩАЕТСЯ** сжигать.
- **ЗАПРЕЩАЕТСЯ** оставлять аккумуляторы там, где они станут частью любых свалок отходов или твердых бытовых отходов.
- Сдать аккумуляторы в сертифицированный центр по переработке или утилизации.

**ЗАРЯДНОЕ УСТРОЙСТВО АККУМУЛЯТОРА****СПЕЦИФИКАЦИИ**

Зарядное устройство 82 В: EBSRC82

Вход: 230 В ~ 50/60 Гц, 2,5А

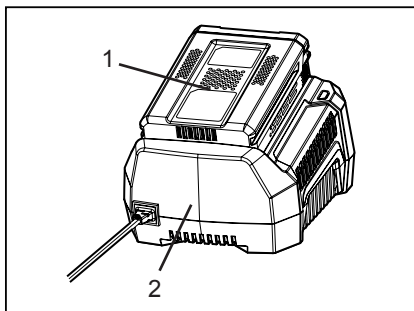
Выход: 82 В = 4А

**ПРОЦЕДУРА ЗАРЯДКИ**

*ПРИМЕЧАНИЕ:* аккумулятор не поставляется полностью заряженным. Рекомендуется полностью зарядить его перед использованием, чтобы убедиться в достижении максимального времени работы. Этот аккумулятор на ионах лития не оборудован памятью и может заряжаться в любое время.

1. Подключить зарядное устройство в силовую розетку переменного тока.
2. Вставить аккумуляторную батарею (1) в зарядное устройство (2).

## Русский (Перевод оригинальных инструкций)



Это диагностическое зарядное устройство. Светодиодные лампы зарядного устройства будут гореть в определенном порядке, чтобы показать текущее состояние аккумулятора. Это происходит следующим образом:

СОСТОЯНИЕ СВЕТОДИОДА	ОПИСАНИЕ
Зеленый мигает	Идет зарядка
Зеленый горит	Полностью заряжен
Красный горит	Перегрев
Красный мигает	Зарядка не удалась

Примечание, касающееся ложной неисправности:

Когда аккумулятор вставлен в зарядное устройство, и мигает светодиод статуса, извлечь аккумулятор из зарядного устройства на 1 минуту, затем вставить его обратно. Если светодиод статуса показывает норму, это означает, что аккумуляторная батарея исправна. Если светодиод статуса продолжает мигать, извлечь аккумуляторную батарею и отключить зарядное устройство. Подождать 1 минуту и снова подключить зарядное устройство, а затем вставить аккумуляторную батарею. Если светодиод статуса показывает норму, это означает, что аккумуляторная батарея исправна. Если светодиод статуса продолжает

мигать, это означает, что аккумуляторная батарея неисправна, и ее необходимо заменить.

**ПРИМЕЧАНИЕ:** Когда мигает красный индикатор, извлечь аккумулятор из зарядного устройства и вставить его обратно через 2 часа. Если индикатор показывает зарядку, это означает, что аккумулятор исправен. Через 2 часа извлечь аккумулятор, а также отключить силовой шнур переменного тока зарядного устройства на 1 минуту, а затем снова подключить силовой шнур переменного тока и вставить аккумулятор. Если индикатор показывает зарядку, это означает, что аккумулятор исправен. Если нет, аккумулятор необходимо заменить.

### ПРОВЕРКА ЗАРЯДНОГО УСТРОЙСТВА

Если аккумуляторная батарея не заряжается должным образом:

- Проверить ток на розетке с помощью другого прибора. Убедиться, что розетка не отключена.
- Убедиться, что контакты зарядного устройства не были закорочены мусором или посторонними предметами.
- Если температура окружающего воздуха не является нормальной комнатной температурой, переместите зарядное устройство и батарею в такое место, где температура находится в пределах от 6°C до 40°C.

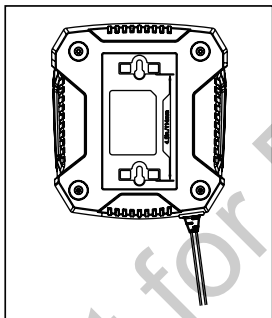
### ⚠ ПРЕДОСТЕРЕЖЕНИЕ

Если аккумулятор вставлен в зарядное устройство, когда он является теплым или горячим, светодиодный индикатор ЗАРЯДКИ, зажигающийся на зарядном устройстве, может загореться КРАСНЫМ. Если это произошло, необходимо дать аккумулятору остыть вне зарядного устройства в течение приблизительно 30 минут.

## Русский (Перевод оригинальных инструкций)

### МОНТАЖ ЗАРЯДНОГО УСТРОЙСТВА

1. Это зарядное устройство может быть установлено на стене с помощью двух винтов № 8 (не входят в комплект поставки).
2. Выберите на стене место для установки зарядного устройства.
3. В случае крепления к деревянным штифтам используйте 2 шурупа по дереву (не входят в комплект поставки).
4. Просверлите два отверстия в центре на расстоянии 114,3 мм друг от друга на вертикальной линии.
5. При креплении зарядного устройства на стене из гипсокартона используйте анкеры (не входят в комплект поставки) и шурупы.



**ПРИМЕЧАНИЕ:** Если аккумулятор и зарядное устройство не используются в течение долгого времени, следует извлечь аккумулятор из зарядного устройства и отключить силовой шнур переменного тока.

### ВАЖНЫЕ ИНСТРУКЦИИ ПО БЕЗОПАСНОСТИ

1. НЕОБХОДИМО СОХРАНИТЬ ЭТИ ИНСТРУКЦИИ - ОПАСНОСТЬ: ЧТОБЫ УМЕНЬШИТЬ РИСК ПОЖАРА ИЛИ УДАРА ЭЛЕКТРИЧЕСКИМ ТОКОМ,

НЕОБХОДИМО ТЩАТЕЛЬНО ВЫПОЛНЯТЬ ЭТИ ИНСТРУКЦИИ.

2. Убедиться в приемлемости напряжения в каждой стране, прежде чем использовать зарядное устройство.
3. Если форма разъема не подходит к силовой розетке, необходимо использовать прилагаемый переходник разъема правильной конфигурации для силовой розетки.

### ПРАВИЛЬНАЯ УТИЛИЗАЦИЯ ДАННОГО ИЗДЕЛИЯ:



Эта маркировка показывает, что данное изделие не может утилизироваться с бытовыми отходами на территории ЕС. Чтобы предотвратить возможный ущерб для окружающей среды или здоровья людей из-за неконтролируемой утилизации отходов, утилизируйте его надлежащим образом для рационального повторного использования материальных ресурсов. Чтобы вернуть использованное устройство, следует использовать системы сбора и возврата или обратиться по месту приобретения данного изделия. Продавцы могут принимать это изделие для экологически безопасной переработки.

## Русский (Перевод д оригинальных инструкций)

### Извлечение отработанных батарей и аккумуляторов



Государства-члены ЕС должны следить за тем, чтобы производители разрабатывали свои устройства таким образом, чтобы отработанные батареи и аккумуляторы могли легко извлекаться. Если конечный пользователь не может их с легкостью извлечь. Государства-члены ЕС должны следить за тем, чтобы производители разрабатывали свои устройства таким образом, чтобы отработанные батареи и аккумуляторы могли легко извлекаться техническими специалистами, не связанными с производителем. К устройствам, в которых встроены батареи и аккумуляторы, должны прилагаться инструкции о том, как эти батареи и аккумуляторы могут быть безопасно извлечены конечным пользователем или независимым техническим специалистом. По возможности в инструкциях следует также указывать тип батареи или аккумулятора, встроенного в устройство.

## Slovenčina (Preklad z pôvodných inštrukcií)

## AKUMULÁTOR

## CHARAKTERISTIKY

EBSB2AH82

Akumulátor: 72V  $\approx$  2.0AH, 144Wh, 82V MAX

Napätie na článok: 3.6V ; Počet článkov: 20

Čas dobíjania: 30 min. (používajte dobíjačku EBSRC82)

EBSB4AH82

Akumulátor: 72V  $\approx$  4.0AH, 288Wh, 82V MAX

Napätie na článok: 3.6V ; Počet článkov: 40

Čas dobíjania: 60 min. (používajte dobíjačku EBSRC82)

Pre správne používanie, údržbu a skladovanie akumulátora je potrebné prečítať si a pochopiť pokyny uvedené v tomto manuáli.

Aby ste zabránili nehodám, požiarom, výbuchom a rizikám hroziacim v dôsledku elektrických výbojov a elektrických oblúkov:

- NEsúmate dobíjačku vodivými predmetmi.
- Ak je skriňa akumulátorovej jednotky poškodená alebo polámaná NEzavádzajte ju do dobíjačky. Vymeňte celú akumulátorovú jednotku za novú.
- NEdobíjajte tieto druhy akumulátorových jednotiek iným typom dobíjačky.
- NEdovoľte, aby tekutina prenikla do vnútra dobíjačky.
- NEpoužívajte dobíjačku na iné účely, než na tie, ktoré sú uvedené v tomto manuáli.
- NEpokúšajte sa o vyskratovanie koncoviek akumulátorovej jednotky.

## ▲ UPOZORNENIE!

Ak príde tekutina z akumulátora do kontaktu s očami, umývajte si ich okamžite čistou vodou po dobu aspoň 15 minút. Okamžite sa obráťte na lekára. Nedobíjajte akumulátorovú jednotku v daždi alebo vo vlhkom prostredí. Neponárajte nástroj, akumulátorovú jednotku alebo dobíjačku do vody alebo iných tekutín.

- Nedovoľte, aby sa akumulátorová jednotka alebo dobíjačka prehriali. Ak sú zohriate, nechajte ich ochladiť. Dobíjajte len pri izbovej teplote.
- Neprikrývajte ventilačné mriežky, nachádzajúce sa v hornej časti dobíjačky. Neukladajte dobíjačku na mäkký povrch, ako napríklad na vankúš alebo deku. Ventilačné mriežky dobíjačky udržiavajte vždy v čistom stave.
- Zabráňte tomu, aby malé cudzie telesá ako čiastočky kovu, kovovej vaty, hliníkové pliešky alebo podobné predmety vnikli do vnútra dobíjačky.
- Dobíjačku je potrebné pred čistením, alebo keď v nej nie je pripojený akumulátor, odpojiť.
- NEdávejte akumulátorovú jednotku na slnečné svetlo alebo do prostredia so zvýšenou teplotou. Uchovávajte ich vždy pri normálnej izbovej teplote.
- NESnažte sa pripájať dve dobíjačky súčasne.
- Pokiaľ akumulátor nedobíjate dlhšiu dobu, je potrebné uschovať ho na tmavom, chladnom a suchom mieste. Akumulátor dobíjajte 2 hodiny každé 2 mesiace.
- Ak sa články akumulátorovej jednotky používajú veľmi často alebo pri extrémnych teplotách, môže u nich dochádzať k menším stratám. Ak sa vonkajšia plomba poruší a tekutina príde do kontaktu s pokožkou:
  - Okamžite sa umyte vodou a mydlom.
  - Neutralizujte citrónovou šťavou, octom alebo inou slabou kyselinou.
- Ak príde tekutina do kontaktu s očami,

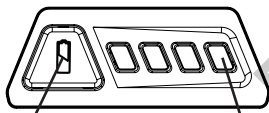
## Slovenčina (Preklad z pôvodných inštrukcií)

postupujte podľa hore uvedených pokynov a obráťte sa na lekára.

- Pred použitím skontrolujte, či výstupné napätie a prúd dobíjačky akumulátora slúžia skutočne na dobíjanie akumulátorovej jednotky.
- V prípade, že výstupná polarita nie je zhodná s nabíjacou, NEpoužívajte dobíjačku.
- Len pre použitie v interiéroch.
- V žiadnom prípade NEotvárajte kryt. Ak je kryt poškodený, dobíjačka sa už nesmie viac používať.
- NEdobíjajte akumulátory, ktoré nie sú dobíjateľné.

### KONTROLA KAPACITY AKUMULÁTORA

Stlačte tlačidlo indikátora kapacity akumulátora (BCI). Svetlá sa rozsvietia podľa toho, na akej úrovni je kapacita akumulátora. Viď nasledujúcu schému:



TLAČIDLO INDIKÁTORA MERANIE NABITIA AKUMULÁTORA (ICB)

Svetlá	Kapacita
4 zelené svetlá	Akumulátor je nabitý na viac ako 80 %.
3 zelené svetlá	Akumulátor je nabitý na hodnotu v rozsahu od 80 do 60 %
2 zelené svetlá	Akumulátor je nabitý na hodnotu v rozsahu od 60 do 40 %
1 zelené svetlo	Akumulátor je nabitý na hodnotu v rozsahu od 40 do 25 %
Dôjde k zhasnutiu svetiel	Akumulátor je nabitý na menej ako 25%. Akumulátor musí byť okamžite nabitý.

### BEZPEČNOSTNÉ ÚDAJE A OPATRENIA

1. NE demontujte akumulátor.
2. Chráňte pred deťmi.
3. NE vystavujte akumulátor pôsobeniu slanej ani sladkej vody, uchovávajte ho na suchom a chladnom mieste.
4. NE nechávajte akumulátor na veľmi teplých miestach, ako v blízkosti ohňa, radiátora a pod.
5. NE zamieňajte kladné a záporné koncovky akumulátora.
6. NE spájajte kladné a záporné koncovky akumulátora s kovovými predmetmi.
7. NE udierajte, NE búchajte po akumulátore a NE vystupujte naň.
8. Na akumulátore NE zvráťajte, neprepichujte ho klincami alebo inými ostrými predmetmi.
9. V prípade, že batéria presakuje a kvapalina sa vám dostala do očí, netrite si oči. Dobre si ich vypláchnite vodou. Okamžite prestaňte batériu používať, ak batéria počas jej používania uvoľňuje neobvyklý zápach, zdá sa byť horúca, mení farbu, mení tvar alebo sa nezdá byť normálna akýmkoľvek iným spôsobom.

### ▲ UPOZORNENIE!

Aby ste predišli požiarom, elektrickým výbojom a elektrickým oblúkom:




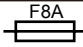
- Neutierajte akumulátor alebo dobíjačku vlhkou handrou, ani na ne neaplikujte čistiace prípravky.
- Vyberte von vždy akumulátorovú jednotku predtým, než ju začnete čistiť, obhliadať, alebo než začnete s operáciami údržby na nástroji.

### ČISTENIE

Vonkajšiu časť dobíjačky očistite pomocou mäkkej suchej handričky. Neoplachujte vodným prúdom ani neumývajte vodou.



## Slovenčina (Preklad z pôvodných inštrukcií)

	Trieda II. Dvojitá izolácia
	Len pre použitie v interiéroch
	Pred dobitím si prečítajte priložené pokyny.
	Poistka

### ⚠ UPOZORNENIE!

Zariadenia by nemali používať osoby (vrátane detí) so zníženými fyzickými, senzorickými alebo mentálnymi schopnosťami, alebo nedostatočnými skúsenosťami a znalosťami, pokiaľ nie sú pod dohľadom alebo pokiaľ nie sú inštruované. Deti by mali byť upozornené, aby sa so zariadením nehrali.

- Deti by sa nemali hrať so zariadením.
- Čistenie a používateľskú údržbu by nemali vykonávať deti bez dohľadu.
- Ak je napájací kábel poškodený musí ho vymeniť výrobca, jeho servisný zástupca alebo obdobne kvalifikovaná osoba, aby sa zabránilo riziku.

### EKOLOGICKÁ LIKVIDÁCIA AKUMULÁTORA



V akumulátorovej jednotke sa nachádzajú nasledujúce toxické a korozívne materiály, ktoré sa používajú s nástrojom:

Lítiové ióny sú toxickým materiálom.

### ⚠ UPOZORNENIE!

TVšetky toxické materiály musia byť zlikvidované vhodným spôsobom, aby sa zabránilo kontaminácii životného prostredia. Pred likvidáciou poškodených alebo pokazených akumulátorových jednotiek na báze lítiových iónov kontaktujte miestne zastupiteľstvo pre likvidáciu odpadu, alebo miestne zastupiteľstvo pre ochranu životného prostredia, za účelom získania informácií a špecifických pokynov. Akumulátory prineste do Centra certifikovaného pre recykláciu a/alebo likvidáciu materiálov na báze lítiových iónov.

### ⚠ UPOZORNENIE!

Ak sa akumulátorová jednotka poškodí alebo pokazí a dôjde/nedôjde k úniku tekutiny nenaplnujte a nepoužívajte ju. Zlikvidujte akumulátorovú jednotku a vymeňte ju za novú. **NEPOKÚŠAJTE SA OPRAVIŤ JU!**

Aby ste zabránili nehodám, požiarom, výbuchom, rizikám hroziacim v dôsledku elektrických výbojov a elektrických oblúkov a škodám na životnom prostredí:

- Koncovky akumulátora obtočte odolnou izolačnou lepiacou páskou.
- NEpokúšajte sa odstrániť ani zničiť žiadnu časť akumulátorovej jednotky.
- NEpokúšajte sa otvoriť akumulátorovú jednotku.

### ⚠ UPOZORNENIE!

- Elektrolyty z tekutín prípadne uniknutých z akumulátorovej jednotky sú korozívne a toxické. Postupujte tak, aby tekutina NEprišla do kontaktu s očami, pokožkou a hlavne ju vnútorne nepožívajte.
- NEvyhadzujte akumulátory do domového odpadu.
- NESpaľujte.
- NEdávajte akumulátory na miesta, kde by sa mohli stať súčasťou miestnej skládky alebo pevného mestského odpadu.
- Odneste do autorizovaného centra pre recykláciu odpadu.

## Slovenčina (Preklad z pôvodných inštrukcií)

### DOBÍJAČKA AKUMULÁTORA

#### CHARAKTERISTIKY

Dobíjačka 82V: EBSRC82

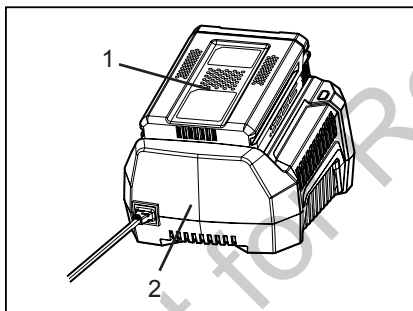
Vstup: 230V ~ 50/60Hz, 2.5A

Výstup: 82V = 4A

#### POSTUP PRI DOBÍJANÍ

**POZN:** Akumulátor je zasielaný s neúplným dobíťm. Pre dosiahnutie maximálneho prevádzkového času odporúčame dobíť pred prvým použitím. Akumulátor na báze lítiových iónov nemá pamäť a môže byť dobíť v ktoromkoľvek momente.

1. Pripojte dobíjačku na konektor AC.
2. Zaveďte akumulátorovú jednotku (1) do dobíjačky (2).



Toto je diagnostická dobíjačka. LED svetlá dobíjačky sa rozsvietia v špecifickom poradí, čím oznámia aktuálny stav akumulátora. Dobíť akumulátora podľa svetiel:

STAV LED	POPIS
Zelená blikajúca	Vo fáze nabíjania
Zelená svietiacia stálym svetlom	Úplne nabitý
Červená svietiacia stálym svetlom	Príliš vysoká teplota
Červená blikajúca	Chyba nabíjania

Svetlo oznamuje falošnú poruchu:

Keď sa akumulátor zapojí do dobíjačky a LED svetlo stavu začne svietelkovať, odpojte akumulátor z dobíjačky na 1 minútu, a potom ho znovu zapojte. Pokiaľ je stav svetla Led "normálny", znamená to, že je akumulátorová jednotka funkčná. Pokiaľ svetlo LED začne znovu svietelkovať, odstráňte akumulátorovú jednotku a odpojte dobíjačku. Počkajte 1 minútu, znovu pripojte dobíjačku a potom aj akumulátorovú jednotku. Pokiaľ je stav svetla Led "normálny", znamená to, že je akumulátorová jednotka funkčná. Pokiaľ svetlo LED ešte svietelkuje, znamená to, že akumulátorová jednotka je poškodená, a že ju treba vymeniť.

**POZN:** Keď červený indikátor svietelkuje odpojte akumulátor z dobíjačky a do 2 hodín ho znovu zapojte. Ak indikátor signalizuje dobíťanie, akumulátor je v optimálnom stave. Po 2 hodinách odpojte akumulátor a konektor AC od dobíjačky na 1 minútu a znovu zapojte konektor AC do akumulátora. Ak indikátor signalizuje dobíťanie, akumulátor je v optimálnom stave. V opačnom prípade sa musí akumulátor vymeniť.

#### KONTROLA DOBÍJAČKY

Pokiaľ sa akumulátorová jednotka správne nenabíja:

- Skontrolujte výstupný prúd pomocou iného merača. Uistite sa, či je konektor vodivo spojený.
- Skontrolujte či kontakty dobíjačky neboli vyskratované v dôsledku styku so zvyškami materiálu.
- Ak teplota okolitého vzduchu nie je v norme, premiestnite dobíjačku a akumulátorovú jednotku do prostredia s teplotou v rozsahu od 6 °C do 40 °C.

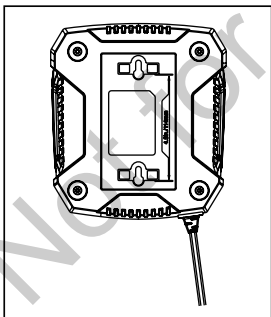
## Slovenčina (Preklad z pôvodných inštrukcií)

### ▲ UPOZORNENIE!

Pokiaľ sa akumulátor pripojí do dobíjačky keď je teplý alebo prehriaty, LED svetlo indikátora DOBÍJANIA na dobíjačke sa môže rozsvietiť ČERVENÁ svetlom. V prípade, že nastane tento prípad, nechajte ochladiť akumulátor mimo dobíjačky asi po dobu 30 minút.

### MONTÁŽ DOBÍJAČKY

1. Táto dobíjačka môže byť inštalovaná na stenu pomocou dvoch skrutiek #8 (nie sú vo výbave).
2. Určite vhodné miesto na stene, na ktoré bude inštalovaná dobíjačka.
3. Pri inštalácii na drevo používajte 2 skrutky vhodné pre tento účel (nie sú vo výbave).
4. Navŕtajte dva otvory v strede, vo vzdialenosti 114,3 mm a uistite sa, že sú nasmerované zvisle.
5. Pri inštalácii dobíjačky na sadrokartón používajte kotviace skrutky a stenové skrutky do sadrokartónu.



**POZN:** Pokiaľ mienite akumulátor a dobíjačku nepoužívať dlhšiu dobu, odstráňte akumulátor z dobíjačky a odpojte konektor AC.

### DÔLEŽITÉ BEZPEČNOSTNÉ POKYNY

1. UCHOVAJTE SI TIETO POKYNY NEBEZPEČIE: PRE ZNÍŽENIE RIZIKA

POŽIARU ALEBO ELEKTRICKÝCH VÝBOJOV JE POTREBNÉ DODRŽIAVAŤ NASLEDUJÚCE POKYNYI.

2. Pred použitím dobíjačky preverte aké napätie je dostupné v danej krajine.
3. Ak zástrčka nepasuje do elektrickej zásuvky, použite na pripojenie k elektrickej zásuvke adaptér so správnou konfiguráciou.

### SPRÁVNE ZLIKVIDOVANIE TOHTO VÝROBKU:



Tieto značky ukazujú, že podľa smernice EU by sa výrobok nemal zlikvidovať spolu s ostatným domovým odpadom. Ak chcete zabrániť možnému znečisteniu životného prostredia alebo poškodeniu zdravia osôb v dôsledku nekontrolovanej likvidácie odpadu, výrobok zodpovedne recyklujte, aby sa podporilo opätovné využitie materiálových zdrojov. Ak chcete vrátiť použité zariadenie, použite, prosím, systémy pre vrátenie a zber, alebo kontaktujte koncového predajcu, kde ste výrobok zakúpili. Tam budú vedieť tento product prevziať a recyklovať spôsobom šetrným voči životnému prostrediu.

## Slovenčina (Preklad z pôvodných inštrukcií)

### Demontáž opotrebovaných batérií a akumulátorov



Členské štáty by mali zabezpečiť, že výrobca navrhne zariadenia takým spôsobom, aby opotrebené batérie a akumulátory bolo možné jednoducho demontovať. Tam, kde ich koncový používateľ nemôže jednoducho demontovať by mali členské štáty zabezpečiť, aby výrobca navrhol zariadenia takým spôsobom, aby opotrebené batérie a akumulátory mohli jednoducho demontovať kvalifikovaní profesionáli, ktorí sú nezávislí od výrobcu. Zariadenia, v ktorých sú batérie a akumulátory zabudované, by mali byť ošetrené podľa inštrukcií o bezpečnej demontáži opotrebovaných batérií a akumulátorov buď koncovým používateľom alebo nezávislými kvalifikovanými profesionálmi. Tam, kde je to vhodné, inštrukcie by mali informovať koncového používateľa tiež o typoch batérií a akumulátorov, ktoré sú zabudované v zariadení.

## Slovensko (Prevod originalnih navodil)

## AKUMULÁTOR

## ŠPECIFIKÁCIE

EBSB2AH82

Akumulátor: 72V  $\approx$  2.0AH, 144Wh, 82V MAX

Napätie na článok: 3.6V ; Počet článkov: 20

Doba nabíjania: 30 min. (použite nabíjačku EBSRC82)

EBSB4AH82

Akumulátor: 72V  $\approx$  4.0AH, 288Wh, 82V MAX

Napätie na článok: 3.6V ; Počet článkov: 40

Doba nabíjania: 60 min. (použite nabíjačku EBSRC82)

Na právne používanie, údržbu a uskladňovanie tohto akumulátora je mimoriadne dôležité, aby ste si prečítali a porozumeli pokynom uvedeným v tomto návode.

Aby nedošlo k závažnému poraneniu, nevzniklo riziko požiaru, explózie a ohrozenie zásahom alebo usmrtením elektrickým prúdom:

- NEPICHAJTE do nabíjačky vodivými materiálmi.
- Ak je jednotka akumulátora prasknutá alebo poškodená, NEVKLADAJTE ju do nabíjačky. Vymeňte ju za novú jednotku akumulátora.
- Tieto jednotky akumulátora NENABÍJAJTE žiadnymi inými druhmi nabíjačky.
- NEDOVOLTE, aby do nabíjačky prenikla kvapalina.
- NEPOKÚŠAJTE sa používať nabíjačku na akékoľvek iné účely ako tie uvedené v tomto návode.
- NEPOKÚŠAJTE sa skratovať terminály jednotky akumulátora.

## ▲ POZOR!

Ak sa kvapalina z akumulátora dostane do očí, okamžite ju vyplachujte čistou vodou po dobu minimálne 15 minút. Bezodkladne vyhľadajte lekársku pomoc. Jednotku akumulátora nenabíjajte v daždi alebo mokrom prostredí. Nástroj, jednotku akumulátora ani nabíjačku neponárajte do vody ani inej kvapaliny.

- Nedovoľte, aby došlo k prehriatiu jednotky akumulátora alebo nabíjačky. Ak sú horúce, nechajte ich vychladnúť. Dobíjajte len pri izbovej teplote.
- Nezakrývajte vetracie štrbiny navrchu nabíjačky. Nepokladajte nabíjačku na mäkký povrch, napr. na deku či vankúš. Neblokujte vetracie štrbiny nabíjačky.
- Pred čistením a keď nie je v nabíjačke žiadna jednotka akumulátora, odpojte nabíjačku.
- Unplug the charger before cleaning and when there is no battery pack in the charger.
- Nedávajte jednotku akumulátora na slnko alebo do teplého prostredia. Skladujte pri štandardnej izbovej teplote.
- Nepokúšajte sa spojiť dve nabíjačky dokopy.
- Ak akumulátor dlhšiu dobu nenabíjate, odložte ju natienisté, chladné a suché miesto. Nabíjajte akumulátor 2 hodiny každé 2 mesiace.
- Články jednotky akumulátora môžu pri mimoriadnom zaťažení alebo teplotných podmienkach trochu presakovať. Ak je vonkajšie tesnenie poškodené a uniknutá kvapalina sa vám dostane na pokožku.
  - Okamžite ju umyte pomocou mydla a vody.
  - Neutralizujte citrónovou šťavou, octom alebo inou slabou kyselinou.
- Ak sa vám uniknutá kvapalina dostane do očí, riadte sa podľa vyššie uvedených

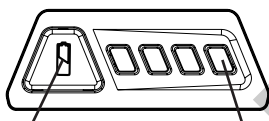
## Slovensko (Prevod originalnih navodil)

pokynov a vyhľadajte lekársku pomoc.

- Pred použitím skontrolujte, či výstupné napätie a prúd nabíjačky akumulátorov sú vhodné pre nabíjanú jednotku akumulátora.
- Nepoužívajte nabíjačku v prípade, keď sa výstupná polarita nezhoduje so vstupnou polaritou.
- Len pre použitie v interiéri.
- Kryt sa nesmie za každých okolností otvárať. Pri poškodení krytu nie je možné nabíjačku už ďalej používať.
- Nenabíjajte batérie, ktoré nie sú určené na nabíjanie.

### KONTROLA KAPACITY AKUMULÁTORA

Stlačte tlačidlo indikátora kapacity akumulátora (BCI). Rozsvietenia sa kontrolky podľa úrovne kapacity akumulátora. Pozrite nasledujúci graf:



TIPKA INDIKATORJA MERITEV  
NAPOLNJENOSTI  
BATERIJE (INP)

Kontrolky	Kapacita
4. Zelené kontrolky	Naplnjenost baterije je nad 80 %.
3. Zelené kontrolky	Naplnjenost baterije je med 80 % in 60 %.
2. Zelené kontrolky	Naplnjenost baterije je med 60 % in 40 %.
1. Zelená kontrolka	Naplnjenost baterije je med 40 % in 25 %.
Lučke	Naplnjenost baterije je pod 25%. Baterijo je treba takoj napolniti.

### BEZPEČNOSTNÉ POZNÁMKY A OPATRENIA

1. Akumulátor nerozoberajte.
2. Udržiavajte mimo dosahu detí.
3. Nevystavujte akumulátor vode ani slanej vode. Akumulátor sa odporúča skladovať na chladnom a suchom mieste a odkladajte ho v chladnom a suchom prostredí.
4. Nedávajte akumulátor na miesta s vysokou teplotou, napríklad do blízkosti ohňa, ohrievača a pod.
5. Neotáčajte kladný terminál a záporný terminál akumulátora.
6. Neskratujte kladný terminál a záporný terminál akumulátora žiadnymi kovovými predmetmi.
7. Akumulátorom neudierajte ani naň nestúpajte.
8. Nespájajte priamo na akumulátor ani neprepichujte akumulátor klineciami či inými ostrými nástrojmi.
9. V prípade, že z akumulátora uniká kvapalina a dostane sa vám do oka, nešúchajte si oko. Dobre vypláchnite vodou. Ak pri používaní akumulátora zaznamenáte nezvyčajný zápach, akumulátor je horúci, zmení farbu alebo tvar alebo sa inak správa neštandardne, okamžite prerušte prácu s akumulátorom.

### ⚠ POZOR!




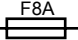
Aby nevzniklo riziko požiaru, zásahu alebo usmrtenia elektrickým prúdom:

- Na akumulátor alebo nabíjačku akumulátorov nepoužívajte vlhkú tkaninu ani saponát.
- Pred čistením, kontrolou alebo vykonávaním údržby na nástroji vždy vyberte jednotku akumulátora.

### ČISTENIE

Utrite vonkajšie plochy n abíjačky suchou mäkkou tkaninou. Neumývajte hadicou či vodou.

## Slovensko (Prevod originalnih navodil)

	Trieda II Dvojitá izolácia
	Len pre použitie v interiéri
	Pred nabíjaním si prečítajte pokyny
	Poistka

### ▲ POZOR!

Naprave ne smejo uporabljati osebe (vključno z otroki) z zmanjšanimi fizičnimi, senzoričnimi ali duševnimi sposobnostmi, pomanjkanjem izkušenj in znanja, razen če so pod nadzorom ali jim nekdo posreduje navodila. Otroci se ne smejo igrati z napravo.

- Otroci naj se ne igrajo z napravo.
- Naprave ne smejo čistiti in vzdrževati otroci brez nadzora.
- Če je napajalni kabel poškodovan, ga mora zamenjati proizvajalec, njegov serviser ali ustrezno usposobljena oseba, da se prepreči nevarnosti.

## EKOLOGICKY BEZPEČNÁ LIKVIDÁCIA AKUMULÁTORA



V akumulátoroch použitých v tejto jednotke akumulátora sa nachádzajú nasledujúce toxické a leptavé materiály:

Lítium ión, toxický materiál.

### ▲ POZOR!

Všetky toxické materiály sa musia likvidovať špeciálnym spôsobom, aby nedošlo ku kontaminácii životného prostredia. Pred likvidáciou poškodených alebo opotrebovaných lítium-iónových jednotiek akumulátorov sa obráťte na miestnu inštitúciu na likvidáciu odpadu alebo miestnu agentúru na ochranu životného prostredia a žiadajte informácie a konkrétne pokyny. Vezmite akumulátory do miestneho recyklačného centra alebo centra na likvidáciu odpadu, ktoré je certifikované na likvidáciu lítium-iónových materiálov.

### ▲ POZOR!

Ak jednotka akumulátora praskne alebo sa prelomí, či už dôjde alebo nedôjde k úniku kvapaliny, nenabíjajte ju a nepoužívajte ju. Zlikvidujte ju a nahraďte novou jednotkou akumulátora. **NEPOKÚŠAJTE SA JU OPRAVIŤ!**

Aby nedošlo k poraneniu a nevzniklo riziko požiaru, explózie alebo zásahu elektrickým prúdom alebo aby nedošlo k poškodeniu životného prostredia:

- Zakryte konektory jednotky akumulátora pomocou odolnej lepiacej pásky.
- **NEPOKÚŠAJTE** sa odstrániť alebo zničiť komponenty jednotky akumulátora.
- **NEPOKÚŠAJTE** sa otvoriť jednotku akumulátora.

### ▲ POZOR!

■ Če se pojavi uhajanje, so sproščeni elektroliti korozivni in strupeni. Pazite, da raztopina NE pride v stik z očmi ali kožo, prav tako je ne smete zaužiti.

- Teh baterij NE odlagajte med gospodinske odpadke.
- NE zažigajte.
- NE odlagajte jih na odlagališčih odpadkov ali na mestih, kjer se odlagajo komunalni odpadki.
- Odpeljite jih k pooblaščenцу za recikliranje in odlaganje tovrstnih odpadkov.

## Slovensko (Prevod originalnih navodil)

### NABIJAČKA AKUMULÁTOROV

#### ŠPECIFIKÁCIE

82V nabíjačka: EBSRC82

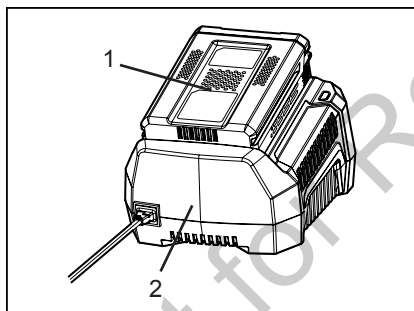
Vstup: 230V ~ 50/60Hz, 2.5A

Výstup: 82V = 4A

#### POSTUP PRI NABIJANÍ

**POZNÁMKA:** Akumulátor sa nedodáva plne nabitý. Odporúča sa ho pred použitím úplne nabiť, dosiahnete tak maximálnu dobu prevádzky. Tento lítium-iónový akumulátor nemá pamäťový efekt a možno ho nabíjať kedykoľvek.

1. Zapojte nabíjačku do elektrickej zásuvky striedavého prúdu.
2. Vložte jednotku akumulátora (1) do nabíjačky (2).



To je diagnostiční polnilnik. Za posredovanie ustreznega stanja baterije se v specifičnem zaporedju prižge LED-lučka na polnilniku. Te so sledeče:

STANJE LED SIJALKE	OPIS
Zelena utripajoča	V procesu polnjenja
Zelena stalno prižgana	Napolnjena do konca
Rdeča stalno prižgana	Temperatura je previsoka
Rdeča utripajoča	Napaka pri polnjenju

Poznámka o falošnej poruche:

Keď pri vložení akumulátora do nabíjačky stavový indikátor LED bliká, vyberte akumulátor z nabíjačky na 1 minútu a znova ho vložte. Ak stavový indikátor LED signalizuje normálne, jednotka akumulátora je v poriadku. Ak stavový indikátor LED naďalej bliká, vyberte jednotku akumulátora a odpojte nabíjačku. Počkajte 1 minútu, potom znova zapojte nabíjačku a znova vložte jednotku akumulátora. Ak stavový indikátor LED signalizuje normálne, jednotka akumulátora je v poriadku. Ak stavový indikátor LED naďalej bliká, jednotka akumulátora je chybná a je potrebné ju vymeniť.

**POZNÁMKA:** Keď červený indikátor bliká, vytiahnite akumulátor z nabíjačky a znova ho vložte za 2 hodiny. Ak indikátor signalizuje nabíjanie, znamená to, že je akumulátor v poriadku. Po 2 hodinách vytiahnite akumulátor a odpojte tiež elektrickú zástrčku na 1 minútu, potom znova zapojte elektrickú zástrčku a vložte akumulátor. Ak indikátor signalizuje nabíjanie, znamená to, že je akumulátor v poriadku. Ak nie, akumulátor je potrebné vymeniť.

#### KONTROLA NABIJAČKY

Ak sa jednotka akumulátora nenabíja správne:

- Skontrolujte prúd na elektrickej zásuvke pomocou iného nástroja. Skontrolujte, či zásuvka nie je vypnutá.
- Skontrolujte, či kontakty nabíjačky neboli skratované nečistotami alebo cudzím materiálom.
- Ak teplota okolitého vzduchu nie je štandardná izbová teplota, presuňte nabíjačku a jednotku akumulátora na miesto, kde je teplota v rozmedzí 6 °C až 40 °C.



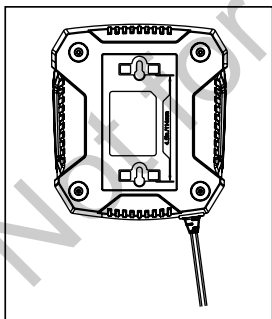
## Slovensko (Prevod originalnih navodil)

### ▲ POZORI!

Pri vložení teplého alebo studeného akumulátora do nabíjačky sa INDIKÁTOR LED NABÍJANIA na nabíjačke sa môže rozsvietiť RDEČA farbou. V takom prípade nechajte akumulátor vychladnúť mimo nabíjačky na približne 30 minút.

### MONTÁŽ N ABÍJAČKY

1. Nabíjačku možno nainštalovať zavesenú na stenu pomocou dvoch skrutiek #8 (nie sú súčasťou dodávky).
2. Nájdite miesto pre nabíjačku, ktorú chcete namontovať na stenu.
3. Pri pripevňovaní na drevené stĺpiky použite 2 skrutky do dreva (nie sú súčasťou dodávky).
4. Napravite dve lukni v sredini; razdalja med njima naj bo 114,3 mm. Pri tem pazite na njuno navpično poravnanost.
5. Pri upevňovaní na sadrokartónu použite múrové klieštiny a skrutky, pomocou ktorých pripevnite nabíjačku na stenu.



**POZNÁMKA:** Ak nebudete používať akumulátor a nabíjačku dlhšiu dobu, vyberte akumulátor z nabíjačky a odpojte elektrickú zástrčku.

### DÔLEŽITÉ BEZPEČNOSTNÉ POKYNY

1. TENTO NÁVOD SI ODLOŽTE – NEBEZPEČENSTVO. RIAĎTE SA STRIKTNE PODĽA TÝCHTO POKYNOV, ZNÍŽITE TAK RIZIKO POŽIADU ALEBO ZÁSAHU ELEKTRICKÝM PRÚDOM.
2. Pred použitím nabíjačky si overte napätie používané v každej krajine.
3. Če se vtič ne prilaga vtičnici, uporabite nastavek za vtič z ustrežno konfiguracijo za vtičnico.

### PRÁVILNO ODLAGANJE TEGA IZDELKA:



Ta simbol ponazarja, da izdelka v EU ne smete zavreči z ostalimi gospodinjstskimi odpadki. Reciklirajte ga in preprečite morebitno onesnaženje okolja ali ogrožanje zdravja, ki je posledica nepremišljenega odlaganja odpadkov. Tako boste podprli trajnostno ponovno uporabo materialnih virov. Rabljeno napravo oddajte v zbirne centre ali se obrnite na prodajalca, pri katerem ste kupili izdelek. Poskrbel bo za okolju prijazno recikliranje.

**Slovensko (Prevod originalnih navodil)****Odstranjevanje odpadnih baterij in akumulatorjev**

Države članice morajo zagotoviti, da proizvajalci oblikujejo naprave na način, ki omogoča takojšnjo odstranitev odpadnih baterij in akumulatorjev. Če odpadnih baterij in akumulatorjev končni uporabnik ne more odstraniti sam, morajo države članice zagotoviti, da proizvajalci oblikujejo naprave na način, ki omogoča, da usposobljeno osebje, neodvisno od proizvajalca, lahko takoj odstrani odpadne izdelke. Napravam, v katere so vgrajeni baterije in akumulatorji, morajo biti priložena navodila, kako lahko končni uporabnik ali neodvisen usposobljeni strokovnjak varno odstrani te komponente. Na ustreznih mestih v navodilih mora biti prav tako navedeno, kateri vrsti baterije in akumulatorja sta vgrajeni v napravo.

## Srpski (originalno uputstvo)

### BATERIJA

#### KARAKTERISTIKE

EBSB2AH82

Baterija: 72V  $\approx$  2.0AH, 144Wh, 82V Maks.

Napon svake ćelije: 3.6V ; Broj ćelija: 20

Vreme trajanja punjenja: 30 min. (koristite punjač EBSRC82)

EBSB4AH82

Baterija: 72V  $\approx$  4.0AH, 288Wh, 82V Maks.

Napon svake ćelije: 3.6V ; Broj ćelija: 40

Vreme trajanja punjenja: 60 min. (koristite punjač EBSRC82)

Za pravilnu upotrebu, održavanje i čuvanje baterije, jako je važno da pročitate i razumete uputstva navedena u ovom priručniku.

Da biste izbegli ozbiljne povrede, opasnost od požara, opasnosti od eksplozije i od strujnog udara i stvaranja električnog luka:

- NE ispitujte punjač provodljivim materijalima.
- Ako je kutija u kojoj se nalazi baterija polomljena ili oštećena, NE stavljajte bateriju u punjač. Zamenite je novom baterijom.
- Za punjenje ovih baterija NE koristite druge punjače.
- NE dopustite da tečnost iz baterijadospeu unutrašnjost punjača.
- NE koristite punjač usvrhe koje nisu navedene u ovom priručniku.
- NE pokušavajte da povežete u kratki spoj polove baterije.

#### ▲ PAŽNJA

Ako tečnost iz baterije dođe u dodir s očima, odmah ih isperite čistom vodom i ispirajte ih najmanje 15 minuta. Obratite se odmah lekaru. Baterije nemojte da punite na kiši ili u vlažnim prostorijama. Ne stavljajte uređaj, bateriju ili punjač u vodu ili u druge tečnosti.

- Ne dopustite da se baterija ili punjač pregreju. Ako se zagreju, pustite ih da se ohlade. Punite samo na sobnoj temperaturi.
- Ne pokrivajte ventilacijske otvore na gornjem delu punjača. Ne stavljajte punjač na mekane površine poput ćebeta ili jastuka. Ventilacijski otvori na punjaču moraju biti čisti.
- Ne dopustite da metalni predmeti malih dimenzija ili materijali kao što su čelična vuna, aluminijumska folija ili druge čestice uđu u unutrašnje šupljine punjača.
- Punjač isključite prije nego što počnete da ga čistite ili onda kada u njemu nema baterija.
- NE izlažite bateriju direktnoj sunčevoj svetlosti ili toploj okolini. Držite je uvek na normalnoj sobnoj temperaturi.
- NE pokušavajte da spojite dva punjača istovremeno.
- Ako ne nameravate da punite bateriju duži vremenski period, čuvajte je uvek u hladu, na hladnom i suvom mestu. Bateriju punite po 2 sata na svaka 2 meseca.
- Ako baterije koristite previše ili ih koristite na veoma niskim ili visokim temperaturama, na ćelijama može doći do neznatnog curenja. Ako spoljašnji omot pukne i tečnost dođe u dodir s kožom:
  - Kožu odmah operite vodom i sapunom.
  - Mesto dodira neutralizujte limunovim sokom, sirćetom ili nekom drugom slabom kiselinom.
- Ako tečnost dođe u dodir s očima, pratite gore navedena uputstva i odmah se

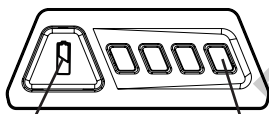
## Srpski (originalno uputstvo)

obratitelekaru.

- Pre upotrebe proverite da li su izlazni napon i struja punjača pogodni za punjenje baterije.
- Ako izlazni polaritet ne odgovara polaritetu punjenja, NE koristite punjač.
- Samo za upotrebu u zatvorenim prostorijama.
- Ni pod kojim uslovima NE otvarajte poklopac. Ukoliko je poklopac oštećen, punjač se NE sme više koristiti.
- Baterije NE puniti ako nisu punjivei.

### PROVERA STANJA NAPUNJENOSTI BATERIJE

Pritisnite indikator napunjenosti baterije (BCI). U zavisnosti od nivoa napunjenosti baterije, upaliće se odgovarajuće svetlo. Pogledajte donji dijagram:



TASTER KOJI POKAZUJE POKAZIVAČ  
N A P U N J E N O S T  
BATERIJE (BCI)

Svetla	Stanje napunjenosti w
4 zelena svetla	Napunjenost baterije je veća od 80%.
3 zelena svetla	Napunjenost baterije je između 80% i 60%.
2 zelena svetla	Napunjenost baterije je između 60% i 40%.
1 zeleno svetlo	Napunjenost baterije je između 40% i 25%.
Svetla se gase	Napunjenost baterije je manja od 25%. Bateriju odmah treba napuniti.

### BEZBEDNOSNE NAPOMENE IMERE OPREZA

1. NE rastavljajte bateriju.
2. Držite van domašaja dece.
3. Bateriju NE izlažite slanoj ili slatkoj vodi, čuvajte je na hladnom i suvom mestu.
4. Bateriju NE stavljajte blizu suviše toplih mesta na primer u blizini vatre ili radiatora.
5. NE menjajte pozitivan i negativan pol baterije.
6. NE povezujte polove baterije, negativni i pozitivni, s metalnim predmetima.
7. Bateriju NEMOJTE udarati, ni gaziti nogama.
8. Bateriju NEMOJTE zavarivati, NEMOJTE je bušiti ekserima ili drugim oštrim predmetima.
9. Ako iz baterije curi tečnost i ako ona dođe u dodir s očima, nemojte ih trljati i temeljno ih isperite vodom. Prekinite upotrebu baterije ako ona ima neobičan miris, ako se pregrejava, menja boju/oblik i ako ima neobičajan izgled.

### ⚠ PAŽNJA




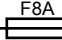
Da biste izbegli opasnost od požara ili strujnog udara:

- Bateriju i punjač nemojte da perete vlažnim krpama ili deterdžentom.
- Pre čišćenja, kontrole i obavljanja održavanja uređaja, uvek iz njega izvadite bateriju.

### ČIŠĆENJE

Punjač čistite mekom i suvom krpom sa spoljašnje strane. Ne ispirajte pumpom i ne čistite vodom.

## Српски (оригинално упутство)

	Klasa II Dupla izolacija
	Samo za upotrebu u zatvorenom
	Pre punjenja pročitajte uputstva.
	Osigurač

### ▲ PAŽNJA

Ovaj uređaj nije намењен да га користе лица (укључујући децу) са умањеним физичким, чулним, или менталним способностима, односно лица којима недостаје искуство и знање, осим када су под надзором или када се обучавају. Децу треба надzirати како се не би играла овим уређајем.

- Не треба допустити деци да се играју овим уређајем.
- Чишћење и корисничко одржавање не треба да изводе деца без надзора.
- Ако се напојни кабл оштети, мора га заменити произвођач, његов овлашћени сервисер или слично квалификована лица, како би се избегле опасности.

### ODLAGANJE BATERIJE NA EKOLOŠKI ODGOVARAJUĆI NAČIN



U unutrašnjosti baterije koju koristi ovaj uređaj nalaze se sledeće otrovne i korozivne supstance:

Litijumskijoni su otrovni.

### ▲ PAŽNJA

Svi otrovni materijali se moraju odložiti na odgovarajući način kako bi se sprečilo zagađenje okoline. Pre odlaganja oštećene ili polomljene litijum-jonske baterije, obratite se lokalnom servisu za odlaganje otpada ili lokalnoj službi za zaštitu okoline kako biste dobili dodatne informacije i specifična uputstva o odlaganju ove vrste otpada. Baterije odnesite u centar za recikliranje i/ili odlaganje koji je ovlašćen za odlaganje materijala koji u sebi sadže litijumske jone.

### ▲ PAŽNJA

Ako baterija napukne ili pukne, sa ili bez gubitka tečnosti, nemojte je puniti ni koristiti. Odložite je i zamenite novom. **NE POKUŠAVAJTE JE POPRAVITI!**

Da biste izbegli povrede i opasnost od požara, eksplozija ili strujnog udara i da ne biste zagađivali okolinu:

- Polove baterije pokrite otpornom samolepljivom trakom.
- NE pokušavajte da skinete ili uništite bilo koji deo baterije.
- NE pokušavajte da otvarate bateriju.

### ▲ PAŽNJA

■ Elektroliti koji se nalaze u ispuštenoj tečnosti baterije su korozivni i otrovni. Obratite pažnju da tekućina NE dođe u dodir s očima, kožom, a naročito je nemojte gutati.

- Baterije NE bacajte u kućno smeće.
- NE palite.
- NE ostavljajte baterije na mestima koja mogu postati deo prostora za odlaganje lokalnog otpada ili komunlanog otpada.
- Baterije odnesite u ovlašćeni centar za reciklažu.

## Srpski (originalno uputstvo)

# PUNJAČ ZA BATERIJE

## KARAKTERISTIKE

Punjač od 82V: EBSRC82

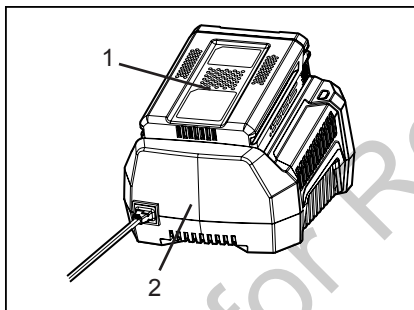
Ulaz: 230V ~ 50/60Hz, 2.5A

Izlaz: 82V = 4A

## NAČINA PUNJENJA

**NAPOMENA:** Isporučena baterija nije u potpunosti puna. Preporučujemo Vam da je pre korišćenjanapunite da biste osigurali maksimalno vreme rada. Litijumjonska baterija nema memoriju tako da je može puniti u bilo kom trenutku.

1. Priključite punjač na strujnu utičnicu.
2. Stavite bateriju (1) u punjač (2).



Ovaj punjač prikazuje i radno stanje baterije. LED svetla punjača se pale određenim redosledom i na taj način obavještavaju korisnika o trenutnom stanju baterije. Stanje baterije u zavisnosti od upaljenog svetla:

STANJE LED SVETLA	OPIS
Zeleno svetlo koje trepti	Puni se
Fiksno upaljeno zeleno svetlo	Potpuno napunjena
Fiksno upaljeno crveno svetlo	Temperatura suviše visoka
Crveno svetlo koje trepti	Greška u punjenju

Svetlo pokazuje lažni kvar:

Ako LED svetlo treperi kada stavite bateriju u punjač, izvadite je na 1 minut, a zatim je vratite. Ako LED svetlo pokazuje "normalno" stanje, znači da je baterija ispravna. Ako LED svetlo ponovotreperi, izvadite bateriju i isključite punjač iz struje. Sačekajte 1 minut, ponovo priključite punjač i ubacite bateriju. Ako LED svetlo pokazuje "normalno" stanje, znači da je baterija ispravna. Ako LED svetlo idalje treperi, znači da je baterija neispravna i da je morate zameniti.

**NAPOMENA:** Kada treperi crveni indikator, izvadite bateriju i ponovo je stavite u roku od 2 sata. Ako indikator pokazuje da se baterija puni, znači da je u najboljem mogućem stanju. Nakon 2 sata, izvadite bateriju i izvadite punjač iz utičnice na 1 minut, onda ga ponovo povežite na utičnicu i vratite bateriju. Ako indikator pokazuje da se baterija puni, znači da je u najboljem mogućem stanju. U suprotnom, potrebno ju je zameniti.

## PROVERA RADA PUNJAČA

Ako se baterija ne puni ispravno:

- Posebnim alatom proverite izlaznu struju. Proverite da utičnica nije izolovana iz strujnog kola.
- Proverite da nečistoća ili drugi materijali nisu izazvali kratak spoj na kontaktima punjača.
- Ako temperatura vazduha nije odgovarajuća, premestite punjač i bateriju u prostor čija je temperatura između 6 °C i 40 °C stepeni.

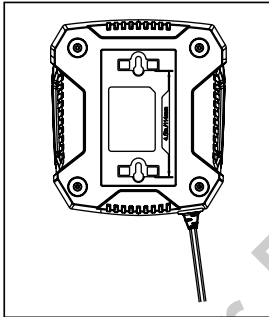
### ▲ PAŽNJA

Ako u punjač stavite vruće ili pregrejane baterije, LED indikator za PUNJENJE na punjaču može biti CRVEN boje. Ako do toga dođe, ostavite da se baterija ohladi oko 30 minuta izvan punjača.

## Српски (оригинално упутство)

### MONTAŽA PUNJAČA

1. Ovaj punjač se može postaviti na zid pomoću dva vijka #8 (nisu isporučeni).
2. Izaberite mesto na zidu na kom želite da postavite punjač.
3. Za montažu na zidu koristite 2 za to pogodna vijka (nisu isporučeni).
4. Napravite dve rupe na sredini na udaljenosti od 114.3 mm; pazite da rupe budu vertikalno u istoj liniji.
5. Za montiranje na gipsanim pločama koristite ankere (nisu isporučeni) ili tiple i vijke za zid kako biste pričvrstili punjač.



**NAPOMENA:** Ako punjač i bateriju ne koristite duže vreme, izvadite bateriju iz punjača i punjač izvadite iz strujne utičnice.

### VAŽNA BEZBEDNOSNA UPUTSTVA

1. SAČUVAJTE OVA UPUTSTVA OPASNOST: KAKO BI SE SMANJIO RIZIK OD POŽARA ILI STRUJNOG UDARA, VAŽNO JE DA PAŽLJIVO PRATITE OVA UPUTSTVA.
2. Pre upotrebe punjača proverite napon dostupan u svakoj zemlji korišćenja.
3. Ako čepovi utikača ne odgovaraju otvorima u napojnoj utičnici upotrebite adapter utikača odgovarajuće konfiguracije za tu utičnicu.

### ПРАВИЛНО ОДЛАГАЊЕ ОВОГ ПРОИЗВОДА У ОТПАД:



Ova oznaka ukazuje da se ovaj proizvod širom Evropske Unije ne sme odlagati sa drugim otpadom iz domaćinstava. Da bi se sprečilo moguće štetno delovanje po okruženje ili po zdravlje čoveka usled nekontrolisanog odlaganja otpada, рециклирајте га одговорно како бисте промовисали одрживо поновно коришћење материјалних ресурса. Да вратите коришћени уређај искористите системе за повраћај и прикупљање или се обратите трговцу од кога сте купили овај производ. Они могу упутити овај производ на рециклажу безбедну по окружење.

### Вађење потрошених батерија и акумулатора



Земље чланице ће се постарати да произвођачи израђују уређаје на такав начин да се потрошене батерије и акумулатори могу лако извадити. Када их корисник не може лако извадити, земље чланице ће се постарати да произвођачи израђују уређаје на такав начин да потрошене батерије и акумулаторе могу лако извадити квалификовани професионалци независни од произвођача. Уређаји код којих су батерије и акумулатори уграђени имаће уз себе упутства како да такве батерије и акумулаторе безбедно извади било крајњи корисник или независни квалификовани професионалци. Где је потребно, таква упутства ће обавештавати крајњег корисника и о типу батерије, односно акумулатора, који је уграђен у тај уређај.

## Svenska (Översättning från originalinstruktioner)

## BATTERI

## SPECIFIKATIONER

EBSB2AH82

Batteri: 72V = 2.0AH, 144Wh, 82V MAX

Spänning per cell: 3.6V ; Antal celler: 20

Laddningstid: 30 min. (använd laddare EBSRC82)

EBSB4AH82

Batteri: 72V = 4.0AH, 288Wh, 82V MAX

Spänning per cell: 3.6V ; Antal celler: 40

Laddningstid: 60 min. (använd laddare EBSRC82)

För korrekt användning, underhåll och förvaring av batteriet är det mycket viktigt att du läser och förstår de instruktioner som finns i manualen.

Undvik allvarliga skador, brand och explosionsrisk samt risk för elektrisk stöt:

- TRYCK INTE in ledande material i laddaren.
- Om batteripaketet har spruckit eller är skadat ska. DET INTE sättas i laddaren. Ersätt det med ett ny batteripack.
- LADDA INTE batteripaketen i någon annan laddare.
- SLÄPP INTE in någon vätska i laddaren.
- ANVÄND INTE laddaren för något annat ändamål de som återges i manualen.
- KORTSLUT INTE några terminaler på batteripaketet.

## ▲ VARNING

Om batterivätska kommer i ögonen ska de omedelbart spolras i kallt vatten under 15 minuter. Se till att få medicinskt omvårdnad snarast möjligt. Ladda inte batteripaketet i regn eller blöta förhållanden. Sänk inte ner verktyget, batteripaketet eller laddaren i vatten eller någon annan vätska.

- Se till att batteriet eller laddaren inte överhettas. Om de blir varma ska du låta dem svalna. Ladda enbart i rumstemperatur.
- Täck inte överventilationshålen på laddarens ovansida. Placera inte laddaren på mjukt underlag, som filt eller kudde. Se till att laddarens ventilationshål är fria.
- Låt inga små föremål som stålull, aluminiumfolie eller andra främmande föremål komma in i laddaren.
- Koppla från laddaren vid rengöring och när batteriet inte sitter i den.
- Placera inte batteriet i solljus eller varm miljö. Den ska vara i normal rumstemperatur.
- Försök inte ansluta två laddare samtidigt.
- Förvara mörkt, svalt och torrt. Om batteriet inte ska laddas på lång tid ska det underhållladdas två timmar varannan månad.
- Battericellerna kan läcka vid extrem användning eller extrema temperaturer. Om ytterhöljet är trasigt och läckaget kommer på huden.
  - Tvätta omedelbart med tvål och vatten.
  - Neutralisera med citron, vinäger eller annan mild syra.
- Om läckage kommer i ögonen, följ instruktionerna ovan och sök omedelbart läkarvård.
- Kontrollera före användning att uteffekt och spänning för batteriladdaren stämmer med batteriet som ska laddas.



## Svenska(Översättning från originalinstruktioner)

- Använd inte laddaren om polariteten in ute stämmer med belastningspolariteten.
- Enbart för inomhusanvändning.
- Höljet får aldrig öppnas. Om höljet är skadat får inte laddaren användas.
- Ladda inte upp icke uppladdningsbara batterier.

### KONTROLLERA BATTERIKAPACITET

Tryck på batterikapacitetsindikatorknappen (BCI). Lamporna tänds enligt batteriets kapacitetsnivå. Se tabellen nedan:



BATTERIKAPACITET SINDIKATORKNAPP (BCI)      LAMPMÄTARE

Lampor	Kapacitet
4 gröna lampor	Batteriet har över 80 % kapacitet.
3 gröna lampor	Batteriet har mellan 80 % och 60 % kapacitet.
2 gröna lampor	Batteriet har mellan 60 % och 40 % kapacitet.
1 grön lampa	Batteriet har mellan 40 % och 25 % kapacitet.
Lamporna lyser inte	Batteriet har under 25 % kapacitet. Batteriet måste laddas omedelbart.

### SÄKERHETSFÖRESKRIFTER OCH FÖREBYGGANDE ÅTGÄRDER

1. Ta inte isär batteriet.
2. Förvara utom räckhåll för barn.
3. Exponera inte batteriet för vatten eller

saltvatten, batteriet ska förvaras på en sval och torr plats.

4. Placera inte batteriet på varma platser som nära öppeneld, element och liknande.
5. Växla inte de positiva och negativa terminalerna på batteriet.
6. Anslut inte de positiva och negativa terminalerna på batteriet till varandra med metallföremål.
7. Slå, stampa eller stå inte på batteriet.
8. Löd inte direkt på batteriet och gör inte hål på batteriet med spikar eller andra vassa föremål.
9. Om batteriet läcker och vätska kommer i ögonen ska inte ögonen gnidas. Skölj noga med vatten. Avbryt omedelbart användning av batteriet om batteriet ger ifrån sig ovanlig doft, känns varmt, ändrad färg, ändrar form eller verkar konstigt på något sätt.




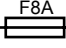
### ⚠ VARNING

Undvik brandrisk samt risk för elektrisk stöt:

- Använd inte våt trasa eller lösningsmedel på batteriet eller batteriladdaren.
- Ta alltid bort batteripaketet ur verktyget före rengöring, översyn eller underhåll.

### RENGÖRING

Torka av laddarens utsida med en torr, mjuk trasa. Spola inte eller tvätta inte med vatten.

	Klass II Dubbel isolering
	Enbart för inomhusbruk
	Läs instruktionerna före laddning
	Säkring

## Svenska(Översättning från originalinstruktioner)

### ⚠ VARNING

Apparaten får inte användas av personer (inklusive barn) med nedsatt fysisk, sensorisk eller psykisk förmåga eller som saknar erfarenhet och kunskap såvida de inte övervakas och instrueras. Barn ska övervakas så de inte lekar med apparaten.

- Barn får inte leka med apparaten.
- Rengöring och underhållsarbete får inte utföras av barn utan övervakning.
- Om matningskabeln är skadad måste den bytas ut av tillverkaren, dess serviceagent eller motsvarande utbildad person för att undvika faror.

### ⚠ VARNING

Om batteripaketet spricker eller går sönder, med eller utan läckage, får det inte laddas eller användas. Avyttra och ersätt det med ett nytt batteripack. **FÖRSÖK INTE REPARERA DET!**

Undvik skada, brand- och explosionsrisk samt risk för elektrisk stöt och att skada miljön:

- Täck över batteripaketets terminaler med kraftig tejp.
- **FÖRSÖK INTE** att ta bort eller förstöra någon av komponenterna i batteripaketet.
- **FÖRSÖK INTE** att öppna batteripaketet.

## MILJÖSÄKER BATTERIAVYTTRING



Följande giftiga och frätande material finns i de batterier som används i detta batteripaket:

Li-ion, ett giftigt material.

### ⚠ VARNING

Samtliga giftiga material ska avyttras på specifikt sätt för att förhindra förorening av miljön. Före avyttring av skadade eller utslitna litiumjonbatteripaket ska du kontakta den lokala återvinningsanläggningen för information och specifika instruktioner. Ta batterierna till den lokala återvinningsanläggning som är certifierad för avyttring av Li-ion.

### ⚠ VARNING

■ Om läckage uppstår är den läckande elektrolyten frätande och giftig. **UNDTVIK** att få lösningen på huden eller i ögonen och svälj den för allt i världen inte.

- **SLÄNG** INTE batterierna i hushållsavfallet.
- **GÖR INTE HÅL.**
- **PLACERA DEM INTE** där de blir en del av fyllnads massa eller kommunalt avlopp.
- Ta dem till lokala återvinningsanläggningen.

## BATTERILADDARE

### SPECIFIKATIONER

82V laddare: EBSRC82

Ineffekt: 230V ~ 50/60Hz, 2.5A

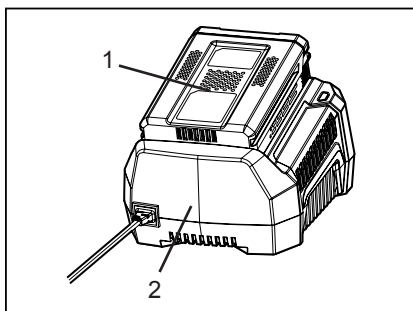
Uteffekt: 82V = 4A

## Svenska (Översättning från originalinstruktioner)

### LADDNINGSPROCEDUR

**OBS:** Batteriet levereras inte laddat. Vi rekommenderar att batteriet laddas fullt för att säkerställa max användningstid. Litiumjonbatteriet har inget minne och kan laddas när som helst.

1. Koppla in laddaren i ett eluttag.
2. Sätt i batteripaketet (1) i laddaren (2).



Det är en diagnostisk laddare. Laddarens LED-lampor tänds i speciell ordning för att kommunicera batteriets status. De är som följer:

LED-STATUS	BESKRIVNING
Blinkar grön	Laddas
Fast grön	Fulladdat
Fast röd	Överhettning
Blinkar röd	Laddningsfel

Felaktigt defektmeddelande:

Om batteriet sätts i laddaren och status-LED blinkar ska du ta bort batteriet från laddaren i en minut och sedan sätta i det igen. Om status-LED visar normalt så är batteripaketet OK. Om status-LED fortfarande blinkar ska du ta bort batteripaketet och koppla ur laddaren. Vänta en minut och koppla in laddaren på nytt och sätt tillbaka batteripaketet. Om status-LED visar normalt så är batteripaketet OK. Om status-LED fortfarande blinkar så är batteripaketet defekt och ska bytas ut.

**OBS:** När den röda indikatorn flämtar ska du ta ur batteriet ur laddaren och sätta i det igen inom två timmar. Om indikatorn visar laddning innebär det att batteriet är OK. Ta ur batteriet efter två timmar och koppla även ur laddaren från eluttaget, sätt sedan i elkabeln och batteriet på nytt. Om indikatorn visar laddning innebär det att batteriet är OK. Om inte måste batteriet laddas upp.

### KONTROLLERA LADDNINGEN

Om batteripaketet inte laddas som det ska:

- Kontrollera strömmen i eluttaget med lämpligt verktyg. Se till att det finns ström i uttaget.
- Kontrollera laddarens kontakter så att de inte kortslutits av skräp eller främmande material.
- Om omgivande temperatur inte är rumstemperatur ska du flytta laddaren och batteripaketet till en plats där temperaturen är mellan 6°C och 40°C.

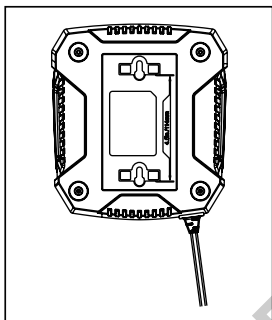
### ⚠ VARNING

Om batteriet sätts i laddaren när den är varm eller het kan LED-indikatorn för LADDNING tändas och lysa RÖD. I så fall ska du låta batteriet svalna utanför laddaren i ungefär 30 minuter.

## Svenska (Översättning från originalinstruktioner)

### MONTERING AV LADDAREN

1. Laddaren kan installeras hängande på väggen med två #8 skruvar (medföljer inte).
2. Bestäm plats för laddarens väggmontering.
3. Om det är trä ska två träskruvar användas (medföljer inte).
4. Borra två hål med 114,3 mm mellan hålens mittpunkter och se till att de är i linje vertikalt.
5. Vid montering på gipsvägg ska väggankare (medföljer inte) och skruvar användas för att fästa laddaren på väggen.



**OBS:** Om batteriet och laddaren inte ska användas under längre period ska batteriet tas ur laddaren och elkabeln tas ur eluttaget.

### VIKTIGA SÄKERHETSFÖRESKRIFTER

1. SPARA INSTRUKTIONERNA – FARA: MINSKA RISKEN FÖR BRAND ELLER ELEKTRISK STÖT GENOM ATT FÖLJA DESSA INSTRUKTIONER NOGA.
2. Kontrollera spänningen innan laddaren används.
3. Om stift på kontakten inte passar i uttaget ska du använda en tillbehörsadapter med rätt konfiguration för uttaget.

### KORREKT AVYTTRING AV PRODUKTEN:



Märket visar att produkten inte får kastas med annat hushållsavfall inom EU. Förhindra möjlig överkan på miljö eller hälsa på grund av slarvig avyttring ska de återvinnas på korrekt sätt för att främja hållbar återanvändning av materiella resurser. Returnera din använda enhet med retur- och insamlingsystem eller kontakta återförsäljaren där produkten inköptes. De kan ta hand om produkten för miljösäker återvinning.

### Avyttring av kasserade batterier och ackumulatörer



Medlemsstaterna ska säkerställa att tillverkare designar apparater på ett sätt så att kasserade batterier och ackumulatörer kan avyttras på korrekt sätt. Där de inte kan avyttras på korrekt sätt av slutanvändaren. Medlemsstaterna ska säkerställa att tillverkare designar apparater på ett sätt så att kasserade batterier och ackumulatörer kan tas bort på korrekt sätt av kvalificerad tekniker som är fristående från tillverkaren. Apparater där batterier och ackumulatörer är inbyggda ska åtföljas av instruktioner om hur dessa batterier och ackumulatörer kan tas bort på säkert sätt av antingen slutanvändaren eller fristående kvalificerad tekniker. Vid behov ska även instruktionerna informera slutanvändaren om vilka typer av batterier eller ackumulatörer som är inbyggda i apparaten.

**Türkçe (Orijinal talimatlar)****BATARYA****ÖZELLİKLER**

EBSB2AH82

Batarya: 72V = 2.0AH, 144Wh, 82V maks.

Hücre başına gerilim: 3.6V ; Hücre sayısı: 20

Hücre sayısı: 30 min. (şarj cihazı EBSRC82)

EBSB4AH82

Batarya: 72V = 4.0AH, 288Wh, 82V maks.

Hücre başına gerilim: 3.6V ; Hücre sayısı: 40

Hücre sayısı: 60 min. (şarj cihazı EBSRC82)

Bataryanın doğru kullanımı, bakımı ve saklanması için, bu kılavuzda sunulan talimatların okunması ve anlaşılması temel önem taşımaktadır.

Ciddi yaralanmaları, yangın risklerini, patlamaları ve elektrik çarpmalarından ve elektrik arklarından kaynaklanan tehlikeleri engellemek için:

- Şarj aletini iletken malzemeler ile **ARAŞTIRMAYINIZ.**
- Eğer batarya grubunun kabı kırık veya hasarlıysa, şarj aletine **KOYMAYINIZ.** Yeni bir batarya grubu ile değiştiriniz.
- Bu batarya grubunu farklı tipte bir şarj aleti kullanarak **ŞARJ ETMEYİNİZ.**
- Şarj aletinin içine sıvı girmesine **İZİN VERMEYİNİZ.**
- Şarj aletini bu kılavuzda belirtilenler dışında amaçlar için **KULLANMAYINIZ.**
- Batarya grubunun terminallerine kısa devre yaptırmaya **ÇALIŞMAYINIZ.**

**▲ DİKKAT**

Eğer bataryanın sıvısı göz ile temas ederse, gözünüzü hemen en az 15 dakika boyunca temiz su ile yıkayınız. Hemen bir doktora başvurunuz. Batarya ünitesini yağmur altında veya nemli ortamlarda şarj etmeyiniz. Aracı, batarya grubunu veya şarj cihazını suya veya başka sıvılara daldırmayınız.

- Batarya grubunun veya şarj cihazının aşırı ısınmasına izin vermeyiniz. Eğer sıcaklarsa, soğumaya bırakınız. Yalnızca oda sıcaklığında şarj ediniz.
- Şarj cihazının üst kısmında bulunan havalandırma ızgaralarını örtmeyiniz. Şarj cihazını örneğin bir battaniye veya bir yastık gibi yumuşak bir düzeye yerleştirmeyiniz. Şarj cihazının havalandırma ızgaralarını temiz tutunuz.
- Küçük metal nesnelerin veya çelik yünü, alüminyum levhaları veya diğer yabancı partiküller gibi maddelerin şarj cihazının boşluğuna girmesini engelleyiniz.
- Şarj cihazını temizlemeden önce veya içinde bir batarya grubu yokken, şarj cihazının bağlantısı kesilmelidir.
- Batarya grubunu güneş ışığı veya sıcak bir ortama maruz **BIRAKMAYINIZ.** Batarya grubunu daima normal oda sıcaklığında tutunuz.
- Aynı anda iki şarj cihazını bağlamaya **ÇALIŞMAYINIZ.**
- Eğer batarya uzun bir süre boyunca şarj edilmeyecekse, daima gölge, serin ve kuru yerde saklanmalıdır. Bataryayı her 2 ayda bir 2 saat şarj ediniz.
- Eğer çok fazla veya aşırı uç sıcaklıklarda kullanılırsa, batarya grubunun hücrelerinde küçük sızıntılar gelişebilir. Eğer dış mühür kırılırsa ve sıvı deri ile temas ederse:
  - Hemen su ve sabun ile yıkayınız.
  - Limon suyu, sirke veya diğer hafif asitler ile nötralize ediniz.

## Türkçe (Orijinal talimatlar)

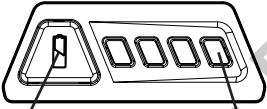
- Eğer sıvı gözler ile temas ederse, yukarıda bildirilen talimatları uygulayınız ve bir doktora başvurunuz.
- Kullanmadan önce, çıkış voltajının ve bataryanın şarj cihazındaki akımın batarya grubunun şarj edilmesine uygun olup olmadığını kontrol ediniz.
- Çıkış kutbu şarj kutbuna karşılık gelmezse, şarj cihazını KULLANMAYINIZ.
- Yalnızca iç mekanlarda kullanım içindir.
- Kapağı hiçbir koşulda AÇMAYINIZ. Eğer kapak hasar görmüşse, şarj cihazı artık KULLANILAMAZ.
- Şarj edilebilir olmayan bataryaları şarj etmeyiniz.

## GÜVENLİK VE ÖNLEMLER NOTU

1. Bataryayı SÖKMEYİNİZ.
2. Çocukların erişmeyeceği yerde muhafaza ediniz.
3. Bataryayı tatlı veya tuzlu suya maruz BIRAKMAYINIZ ve serin ve kuru bir ortamda ve yerde saklayınız.
4. Bataryayı bir ateşin yanı, bir termosifon vs. gibi aşırı sıcak yerlere KOYMAYINIZ.
5. Bataryanın negatif ve pozitif terminalerini TERS ÇEVİRMEYİNİZ.
6. Bataryanın pozitif ve negatif terminalinin metal nesnelere BAĞLAMAYINIZ.
7. Bataryaya VURMAYINIZ, darbe UYGULAMAYINIZ veya batarya üzerine ayakla ÇIKMAYINIZ.
8. Batarya üzerinde kaynak işlemleri YAPMAYINIZ ve bataryayı çivi veya diğer sivri nesnelere DELMEYİNİZ.
9. Bataryanın gözler ile temas eden sıvı kaybetmesi halinde, gözlerinizi su ile iyice ovuşturunuz ve temizleyiniz. Eğer batarya olağandışı kokular yayarsa, aşırı ısınır veya renk/şekil değiştirirse ve anormal bir görünüme sahipse, kullanmayınız.

## BATARYA KAPASİTESİNİN KONTROLÜ

Batarya Kapasitesi Göstergesi tuşuna (BKG) basınız. Işıklar bataryanın kapasite düzeyine göre açılacaktır. Aşağıdaki şemaya bakınız:



PİL ŞARJ GÖSTERGESİ (PŞG) TUŞU

ÖLÇÜM

Işıklar	Kapasite
4 yeşil ışık	Pilin şarjı %80'ten fazladır.
3 yeşil ışık	Pilin şarjı %80 ilâ %60 arasındadır.
2 yeşil ışık	Pilin şarjı %60 ilâ %40 arasındadır.
1 yeşil ışık	Pilin şarjı %40 ilâ %25 arasındadır.
Işıklar söner	Pilin şarjı %25'ten azdır. Pilin derhal şarj edilmesi gerekmektedir.

## ▲ DİKKAT




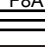
Yangın, elektrik çarpması ve şok risklerini bertaraf etmek için:

- Batarya üzerini veya bataryanın şarj cihazı üzerini nemli bezler veya deterjanlar ile silmeyiniz.
- Araç üzerinde temizlik, inceleme veya bakım işlemleri gerçekleştirmeden önce batarya grubunu daima çıkartınız.

## TEMİZLİK

Şarj cihazının dış tarafını kuru ve yumuşak bir bezle temizleyiniz. Olası pompalar ile durulamayınız veya su ile temizlemeyiniz.

**Türkçe (Orijinal talimatlar)**

	Sınıf II Çift yalıtım
	Yalnızca iç mekanlarda kullanım içindir.
	Şarj etmeden önce talimatları okuyunuz.
	F8A Sigorta

**▲ DİKKAT**

Bu cihaz kendilerine nezaret edilmediği veya eğitim verilmediği sürece (çocuklar da dahil olmak üzere) fiziksel, duyuşsal veya zihinsel becerileri kısıtlı ya da tecrübesiz ve bilgisi yetersiz kişiler tarafından kullanılmamalıdır. Çocukların bu cihazla oynamaması için çocuklara nezaret edilmelidir.

- Çocuklar bu cihazla oynamamalıdır.
- Kullanıcı tarafından yapılması gereken temizlik ve bakım çalışmaları çocuklar tarafından tek başına yapılmamalıdır.
- Eğer besleme kablosu hasarlıysa olası bir tehlikeyi önlemek için üretici, servis yetkilisi veya benzer niteliklere sahip kişiler tarafından değiştirilmelidir.

**BATARYANIN ÇEVREYE UYUMLU İMHASI**

Bu cihaz ile kullanılan batarya grubunun içinde aşağıdaki toksik ve aşındırıcı materyaller vardır:

Lityum-iyon toksik bir maddedir.

**▲ DİKKAT**

Tüm toksik materyaller çevre kirlenmesini engellemek için uygun şekilde imha edilmelidir. Hasar görmüş veya kırılmış lityum-iyon batarya gruplarını imha etmeden önce, atıkların imhası için yerel ajans ile veya spesifik talimatlar ve olası bilgiler için yerel Çevre Koruma Ajansı ile iletişime geçiniz. Bataryaları lityum-iyon materyallerin yönetiminde sertifikalı olan bir geri dönüşüm ve/veya imha merkezine götürünüz.

**▲ DİKKAT**

Eğer batarya grubu gerek sıvı sızıntısı ile gerekse sıvı sızıntısı olmaksızın kırık veya hasarlıysa, şarj etmeyiniz ve kullanmayınız. İmha ediniz ve yeni bir batarya grubu ile değiştiriniz. ONARMAYA ÇALIŞMAYINIZ!

Yaralanma ve yangın, patlama veya elektrik çarpması risklerini bertaraf etmek ve çevreye zarar vermeyi engellemek için:

- Bataryanın terminallerin dirençli yapışkan bant ile sarınız.
- Batarya grubunun herhangi bir parçasını çıkartmaya veya tahrip etmeye ÇALIŞMAYINIZ.
- Batarya grubunu açmaya ÇALIŞMAYINIZ.

**▲ DİKKAT**

■ Batarya grubunun olası sıvı sızıntılarından ortaya çıkan elektrolitler aşındırıcı ve toksiktir. Sıvının gözleriniz veya deriniz ile temas ETMEMESİNE ve özellikle sıvıyı YUTMAMAYA dikkat ediniz.

- Bataryaları ev atıkları ile imha ETMEYİNİZ.
- YAKMAYINIZ.
- Bataryaları yerel bir çöplüğün veya kentsel katı atıkların bir parçası haline gelebilecek yerlere KOYMAYINIZ.
- Bataryaları yetkili bir geri dönüşüm merkezine götürünüz.

## Türkçe (Orijinal talimatlar)

### BATARYA ŞARJ CİHAZI

#### ÖZELLİKLER

82V şarj cihazı: EBSRC82

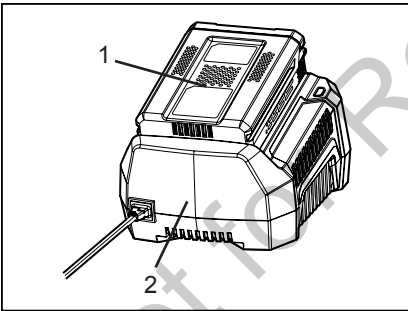
Giriş: 230V ~ 50/60Hz, 2.5A

Çıkış: 82V = 4A

#### ŞARJ ETME PROSEDÜRÜ

**NOT:** Batarya şarjı tam dolu şekilde gönderilmemektedir. Maksimum çalışma süresine ulaşmasını garanti etmek için kullanmadan önce şarj etmeniz önerilir. Lityum iyon batarya bir hafıza geliştirmemektedir ve herhangi bir anda şarj edilebilir.

1. Şarj cihazını bir AC prize bağlayınız.
2. Batarya grubunu (1) şarj cihazına (2) sokunuz.



Bu diyagnostik bir şarj cihazıdır. Şarj cihazının LED ışıkları bataryanın geçerli durumunu göstermek için spesifik bir sıra ile yanar. Işıklara göre bataryanın şarj düzeyi:

LEDLERİN DURUMU	AÇIKLAMA
Yanıp sönen yeşil	Şarj ediyor
Sabit yanan yeşil	Şarj tamamlandı
Sabit yanan kırmızı	Sıcaklık çok yüksek
Yanıp sönen kırmızı	Şarj hatası

Işık yanlış bir arızayı göstermektedir:

Batarya şarj cihazına yerleştirildiğinde ve durum LED'i yanıp söndüğünde, bataryayı 1 dakika için şarj cihazından çıkartınız ve sonra yeniden takınız. Eğer LED'in durumu "normal"i gösteriyorsa, batarya grubu çalışmaktadır. Eğer LED yeniden yanıp sönyorsa, batarya grubu çıkartınız ve şarj cihazını elektrikten çıkartınız. 1 dakika bekleyiniz, şarj cihazını yeniden bağlayınız ve batarya grubunu yeniden yerleştiriniz. Eğer LED'in durumu "normal"i gösteriyorsa, batarya grubu çalışmaktadır. Eğer LED yine yanıp sönyorsa, batarya grubu kusurludur ve değiştirilmelidir.

**NOT:** Kırmızı gösterge yanıp söndüğünde, bataryayı şarj cihazından çıkartınız ve 2 saat sonra yeniden takınız. Eğer gösterge şarj edildiğini belirtiyorsa, batarya optimal durumdadır. 2 saat sonra, bataryayı çıkartınız ve AC prizini 1 dakika boyunca şarj cihazından sökünüz ve sonrasında AC prizi ve bataryayı yeniden takınız. Eğer gösterge şarj edildiğini belirtiyorsa, batarya optimal durumdadır. Aksi takdirde, batarya değiştirilmelidir.

#### ŞARJ CİHAZININ KONTROLÜ

Eğer batarya grubu düzgün şarj olmuyorsa:

- Çıkış akımını bir başka araç ile kontrol ediniz. Prizin yalıtılmadığından emin olunuz.
- Şarj cihazının temas noktalarında kalıntılardan veya başka materyallerden kaynaklanan bir kısa devre olup olmadığını kontrol ediniz.
- Eğer çevreleyen havanın sıcaklığı normal değilse, Şarj cihazını ve batarya grubunu sıcaklığı 6 °C ve 40 °C arasında olan bir ortama taşıyınız.

#### ⚠ DİKKAT

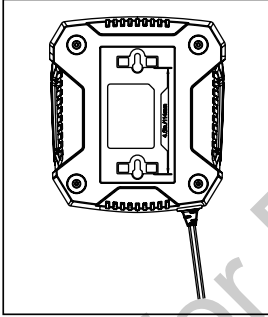
Eğer batarya sıcakken veya aşırı ısınmış durumdayken şarj cihazına takılırsa, şarj cihazı üzerinde LED'li ŞARJ gösterge ışığı KIRMIZI renkte yanabilir. Bu durum gözlenmesi halinde, yaklaşık 30 dakika boyunca şarj cihazının dışında bataryanın soğumaya bırakınız.



## Türkçe (Orijinal talimatlar)

### ŞARJ CİHAZININ MONTAJI

1. Bu şarj cihazı iki vida ile #8 (ürün ile birlikte temin edilmemektedir) duvara monte edilebilir.
2. Şarj cihazını duvarda nereye monte edeceğinizi belirleyiniz.
3. Tahta üzerine monte etmek için, amacına uygun 2 vida kullanınız (ürün ile birlikte temin edilmemektedir).
4. Dikey olarak hizalı olduklarından emin olacak şekilde ortaya 114,3 mm aralıklı iki adet delik delin.
5. Alçıpan üzerine monte etmek için, şarj cihazını duvara sabitlemek amacıyla duvara tespitler ve vidalar kullanınız.



**NOT:** Eğer batarya ve şarj cihazı uzun süre kullanılmıyacaksa, bataryayı şarj cihazından çıkartınız ve AC prizden sökünüz.

### ÖNEMLİ GÜVENLİK TALİMATLARI

1. BU TALİMATLARI SAKLAYINIZ - TEHLİKE: YANGIN VE ELEKTRİK ÇARPMASI RİSKİNİ AZALTMAK İÇİN, BU TALİMATLARIN DİKKATLİCE İZLENMESİ ÖNEMLİDİR.
2. Şarj cihazını kullanmadan önce, her Ülke'de mevcut olan voltajdan emin olunuz.
3. Eğer fişin ucu elektrik prizine oturmuyorsa elektrik prizi için uygun bir ek fiş adaptörü kullanın.

### BU ÜRÜNÜN DOĞRU ŞEKİLDE BERTARAFI:



Bu işaret bu ürünün AB ülkeleri içerisinde diğer evsel atıklarla birlikte bertaraf edilmemesi gerektiğini göstermektedir. Çevreye veya insan sağlığına karşı kontrolsüz atık bertarafından kaynaklanan olası zararları önlemek için materyal kaynaklarının sürdürülebilir şekilde yeniden kullanılmasını teşvik etmek için duyarlı davranarak bunları yeniden geri dönüştürün. Kullandığınız cihazı iade etmek için lütfen iade ve toplama sistemlerini kullanın veya ürünün satın alındığı satıcıyı arayın. Onlar bu ürünü çevre açısından güvenli şekilde geri dönüştürmek üzere alabilirler.

### Atık aküler ve akümülatörlerin sökülmesi



Üye Devletler üreticilerin cihazı atık akülerin ve akümülatörlerin kolayca sökülebileceği şekilde tasarladığını garanti etmektedir. Bunların son kullanıcı tarafından kolayca sökülemediği durumlarda, Üye Devletler üreticilerin cihazı atık akülerin ve akümülatörlerin üreticiden bağımsız nitelikli uzman kişiler tarafından kolayca sökülebileceği şekilde tasarladığını garanti etmektedir. Akülerin ve akümülatörlerin içerisinde bulunan cihazlarla birlikte akülerin ve akümülatörlerin son kullanıcı veya bağımsız nitelikli uzmanlar tarafından nasıl güvenli şekilde sökülebileceğine ilişkin talimatlar yer almalıdır. Uygun olduğu hallerde bu talimatlar kullanıcıya cihaz içerisinde bulunan akünün veya akümülatörün türü hakkında da bilgi vermelidir.

## Українська (оригінальна інструкція)

### АКУМУЛЯТОР

#### ТЕХНІЧНІ ХАРАКТЕРИСТИКИ

##### EBSB2AH82

Акумулятор: 72В  $\approx$  2,0А·год., 144Ват·год., 82В МАКС

Напруга на секцію: 3,6В ; Число секцій: 20

Час зарядження: 30 хв. (використовуйте зарядний пристрій EBSRC82)

##### EBSB4AH82

Акумулятор: 72В  $\approx$  4,0А·год., 288Ват·год., 82В МАКС

Напруга на секцію: 3,6В ; Число секцій: 40

Час зарядження: 60 хв. (використовуйте зарядний пристрій EBSRC82)

Для належного використання, обслуговування та зберігання цього акумулятора, дуже важливо, щоб ви прочитали та зрозуміли інструкції, наведені у цьому посібнику.

Щоб уникнути серйозного травмування, виникнення пожежі, вибуху, ураження електричним струмом та короткого замикання:

- НЕ досліджуйте та не заміряйте характеристики цього зарядного пристрою провідними матеріалами.
- Якщо корпус акумулятора тріснутий або пошкоджений, НЕ вставляйте його у зарядний пристрій. Замініть на новий акумулятор.
- НЕ заряджайте ці акумулятори будь-

яким іншим типом зарядного пристрою.

- НЕ допускайте потрапляння рідини у зарядний пристрій.
- НЕ намагайтесь використовувати цей зарядний пристрій з будь-якою іншою метою, окрім зазначеної у цьому посібнику.
- НЕ намагайтесь закорочувати будь-які клеми на акумуляторі.

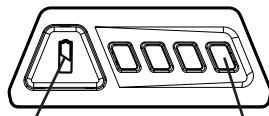
#### ▲ ЗАСТЕРЕЖЕННЯ

Якщо рідина з акумулятора потрапила у ваші очі, негайно промийте їх чистою водою і продовжуйте промивати їх упродовж щонайменше 15 хвилин. Негайно зверніться за медичною допомогою. Не заряджайте акумулятор під дощем або в вологих умовах. Не занурюйте цей інструмент, акумулятор або зарядний пристрій у воду чи інші рідини.

- Не допускайте перегрівання акумулятора або зарядного пристрою. Якщо вони нагрілись, дайте їм охолонути. Заряджайте тільки при кімнатній температурі.
- Не закривайте вентиляційні пази на верхній панелі зарядного пристрою. Не ставте зарядний пристрій на м'які поверхні, наприклад, покривала, подушки тобто. Тримайте вентиляційні пази на зарядному пристрої у чистоті.
- Оберегайте зарядний пристрій від потрапляння в його порожнини маленьких металевих предметів, наприклад, сталеві стружки, алюмінієвої фольги або інших сторонніх частинок.
- Відключайте зарядний пристрій від електричної розетки перед чищенням, а також, коли у ньому немає акумулятора.
- Не кладіть акумулятор на сонці або в теплих місцях. Тримайте його при нормальній кімнатній температурі.

## Українська (оригінальна інструкція)

- Не намагайтесь під'єднувати разом обидва зарядні пристрої.
  - Якщо ви не плануєте заряджати акумулятор упродовж тривалого часу, зберігайте його у затінених, прохолодних та сухих місцях; заряджайте акумулятор упродовж 2 годин кожних 2 місяці.
  - При використанні акумулятора в екстремальному режимі або при екстремальних температурах із його секцій може ставатись витік рідини. Якщо зовнішня ізоляція була пошкоджена і рідина з акумулятора потрапила на вашу шкіру.
    - Негайно змийте її за допомогою води та мила.
    - Нейтралізуйте її за допомогою лимонного соку, оцту або інших слабких кислот.
  - Якщо рідина з акумулятора потрапила в очі, виконайте наведені вище інструкції та негайно зверніться за медичною допомогою.
  - Перед використанням перевірте, чи вихідна напруга і струм зарядного пристрою підходить для зарядження акумулятора.
  - Не використовуйте зарядний пристрій за умов, коли вихідна полярність не відповідає полярності зарядження.
  - Тільки для використання в приміщенні.
  - За жодних умов не відкривайте кришку. У випадку пошкодження кришки подальше використання зарядного пристрою забороняється.
  - Не заряджайте не перезарядні батареєки.
- ### ПЕРЕВІРКА ЄМНОСТІ АКУМУЛЯТОРА
- Натисніть кнопку відображення ємності (КВЕ) акумулятора. Індикатори засвітяться відповідно до рівня заряду акумулятора. Див. нижченаведену таблицю:



КНОПКА ВІДОБРАЖЕННЯ СВІТЛОВА ЄМНОСТІ (КВЕ) ІНДИКАЦІЯ АКУМУЛЯТОРА.

Індикатори	Ємність
4 зелені індикатори	Заряд акумулятора більш ніж 80%.
3 зелені індикатори	Заряд акумулятора між 80% і 60%.
2 зелені індикатори	Заряд акумулятора між 60% і 40%.
1 зелений індикатор	Заряд акумулятора між 40% і 25%.
Індикатори не світяться	Заряд акумулятора менш ніж 25% і акумулятор вимагає негайного зарядження.

### ПРИМІТКИ ТА ЗАСТЕРЕЖЕННЯ ЩОДО БЕЗПЕКИ

1. Не розбирайте акумулятор.
2. Тримайте подалі від дітей.
3. Оберегайте акумулятор від води або соленої води; акумулятор слід класти та зберігати в прохолодних та сухих місцях.
4. Не кладіть акумулятор у місцях із високою температурою, наприклад, поблизу вогню, нагрівача тощо.
5. Не змінюйте полярність позитивної і негативної клем акумулятора.
6. Не з'єднуйте позитивну та негативну клему акумулятора будь-якими металевими предметами.

## Українська (оригінальна інструкція)

7. Не кидайте, не вдаряйте та не наступайте на акумулятор.
8. Не паяйте безпосередньо на акумуляторі та не пробивайте акумулятор цвяхами або іншими гострими предметами.
9. У випадку протікання акумулятора та потраплення його рідини в очі, не тріть очі. Промийте добре водою. негайно припиніть використання акумулятора, якщо під час його використання він починає видавати незвичайний запах, нагрівається, змінює колір, змінює форму або виглядає незвичайно у будь-який інший спосіб.





### ⚠ ЗАСТЕРЕЖЕННЯ

Щоб уникнути пожежі або ураження електричним струмом:

- Не використовуйте для чищення акумулятора або зарядного пристрою вологу тканину або миючі засоби.
- Завжди виймайте акумулятор перед чищенням, оглядом або здійсненням технічного обслуговування.

### ЧИЩЕННЯ

Протріть зовнішні поверхні зарядного пристрою сухою м'якою тканиною. Не поливайте зі шланга та не мийте водою.

	Класу II Подвійна ізоляція
	Тільки для використання в приміщенні
	Передзарядженнямпрочитайте ці інструкції
	Плавкий запобіжник

### ⚠ ЗАСТЕРЕЖЕННЯ

Цей пристрій забороняється використовувати особам (включаючи дітей) з обмеженими фізичними, розумовими та психічними даними, а також особам, що не мають необхідних навичок або знань, окрім як під наглядом осіб, відповідальних за їх безпеку, та після проведення необхідного інструктажу. Слідкуйте, щоб діти не бавились із цим пристроєм.

- Дітям забороняється бавитись із цим пристроєм.
- Дітям забороняється виконувати чищення або обслуговування цього пристрою, окрім як під наглядом дорослих.
- При пошкодженні шнура живлення, щоб уникнути небезпеки ураження струмом, його повинен замінити виробник, його сервісний представник або кваліфікований електрик.

### УТИЛІЗАЦІЯ АКУМУЛЯТОРА У БЕЗПЕЧНИЙ ДЛЯ ДОВКІЛЛЯ СПОСІБ



У цьому акумуляторі використовуються такі токсичні та корозійні матеріали: Літій-іонний токсичний матеріал.

### ⚠ ЗАСТЕРЕЖЕННЯ

Усі токсичні матеріали слід утилізувати спеціальним способом, щоб уникнути забруднення довкілля. Перед утилізацією пошкодженого або зношеного літій-іонного акумулятора зверніться до вашого місцевого підприємства з утилізації або у місцеве агентство з захисту довкілля за інформацією та спеціальним інструкціями. Віднесіть акумулятори у місцевий центр із переробки та/або утилізації, який має сертифікат на утилізацію літій-іонних акумуляторів.

## Українська (оригінальна інструкція)

### ▲ ЗАСТЕРЕЖЕННЯ

Якщо акумулятор тріснув або розбився з витіканням або без витікання рідини, забороняється заряджати або використовувати його. Утилізуйте його та замініть його на новий акумулятор. **НЕ НАМАГАЙТЕСЬ РЕМОНТУВАТИ ЙОГО!** Щоб уникнути ризику виникнення пожежі, вибуху або ураження електричним струмом, а також завдання шкоди довкіллю:

- Закрийте клеми акумулятора міцною і надійною клейкою стрічкою.
- НЕ намагайтесь виняти або зламати жодні деталі акумулятора.
- НЕ намагайтесь відкрити акумулятор.

### ▲ ЗАСТЕРЕЖЕННЯ

- У випадку витікання з акумулятора пам'ятайте, що електроліт є корозійним та токсичним. НЕ допускайте потрапляння електроліту в очі або на шкіру та не ковтайте його.
- НЕ викидайте ці акумулятори у ваші звичайні побутові смітники.
- НЕ спалюйте акумулятори.
- НЕ викидайте їх у смітники, сміття з яких відвозиться на сміттєві звалища, або у смітники для побутових відходів.
- Віднесіть їх у сертифікований центр із переробки або утилізації.

## ЗАРЯДНИЙ ПРИСТРІЙ

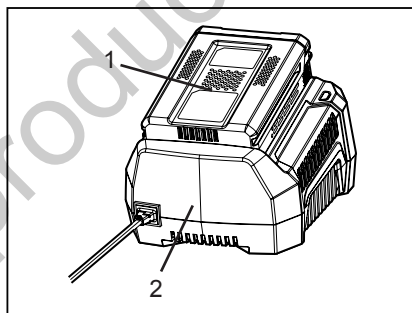
### ТЕХНІЧНІ ХАРАКТЕРИСТИКИ

Зарядний пристрій 82B: EBSRC82  
 Вхід: 230В ~ 50/60Гц 2,5А  
 Вихід: 82В = 4А

### ПРОЦЕДУРА ЗАРЯДЖЕННЯ

**ПРИМІТКА:** Акумулятор постачається не повністю зарядженим. Перед першим використанням рекомендується повністю зарядити його, щоб забезпечити йому максимальний ресурс. Цей літій-іонний акумулятор не має ефекту пам'яті, тому його можна заряджати у будь-який час.

1. Підключіть зарядний пристрій до електричної розетки змінного струму.
2. Вставте акумулятор (1) у зарядний пристрій (2).



Цей зарядний пристрій оснащений функцією діагностування. Світлові індикатори зарядного пристрою світяться у певному порядку, показуючи поточний заряд акумулятора. Цей порядок наступний:

СТАН СВІТЛОВОГО ІНДИКАТОРА	ОПИС
Блимає зеленим	Йде зарядження
Світиться зеленим	Повністю заряджений
Світиться червоним	Перегрівання
Блимає червоним	Помилка зарядження

## Українська (оригінальна інструкція)

Примітка щодо хибного дефекту:

Якщо після вставлення акумулятора у зарядний пристрій блимає світловий індикатор, вийміть акумулятор із зарядного пристрою на 1 хвилину, а тоді знову вставте. Якщо світловий індикатор світиться нормально, тоді акумулятор добрий. Якщо світловий індикатор далі блимає, вийміть акумулятор та відключіть зарядний пристрій від електричної розетки. Зачекайте 1 хвилину, а тоді підключіть знову зарядний пристрій до електричної розетки та вставте в нього акумулятор. Якщо світловий індикатор світиться нормально, тоді акумулятор добрий. Якщо світловий індикатор далі блимає, тоді акумулятор дефектний і його потрібно замінити.

*ПРИМІТКА: Якщо червоний індикатор блимає, вийміть акумулятор із зарядного пристрою та вставте його знову через 2 години. Якщо індикатор показує зарядження, це означає, що акумулятор добрий. Через 2 години вийміть акумулятор та відключіть зарядний пристрій від електричної розетки на 1 хвилину, а тоді знову підключіть зарядний пристрій до електричної розетки та вставте в нього акумулятор. Якщо індикатор показує зарядження, це означає, що акумулятор добрий. Якщо ні, тоді акумулятор слід замінити.*

### ПЕРЕВІРКА ЗАРЯДНОГО ПРИСТРОЮ

Якщо акумулятор не заряджається належно:

- Перевірте спеціальним інструментом, чи є напруга в електричній розетці. Переконайтесь, чи не виключена електрична розетка.
- Перевірте, чи не закорочені контакти зарядного пристрою сміттям або сторонніми предметами.
- Якщо температура навколишнього повітря вища за нормальну кімнатну температуру, перемістіть зарядний

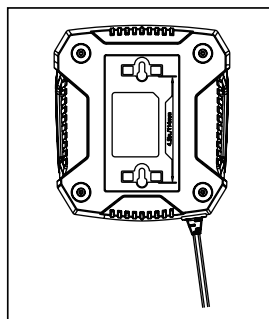
пристрій та акумулятор у місце з температурою від 6 °C до 40 °C.

### ▲ ЗАСТЕРЕЖЕННЯ

При вставлянні в зарядний пристрій теплого або гарячого акумулятора світловий індикатор ЗАРЯДЖЕННЯ на зарядному пристрої може засвітитися ЧЕРВОНИМ. У такому випадку вийміть акумулятор із зарядного пристрою та дайте йому охолонути упродовж приблизно 30 хвилин.

### МОНТАЖ ЗАРЯДНОГО ПРИСТРОЮ

1. Цей зарядний пристрій можна встановити на стіні за допомогою 8 гвинтів (не додано).
2. Визначте місце на стіні для монтажу зарядного пристрою.
3. При кріпленні до дерев'яних брусів використовуйте 2 шурупи для дерева (не додано).
4. Просвердліть по середині два отвори по вертикалі на відстані 114,3 мм один від одного.
5. Для кріплення зарядного пристрою до гіпсокартонних стін використовуйте дюбелі (не додано) та шурупи.



*ПРИМІТКА: Якщо акумулятор та зарядний пристрій не будуть використовуватись упродовж тривалого часу, вийміть*

## Українська (оригінальна інструкція)

акумулятор із зарядного пристрою та відключіть зарядний пристрій від електричної розетки.

прийняти даний виріб для його безпечної переробки.

### ІНСТРУКЦІЯ З ТЕХНІКИ БЕЗПЕКИ

1. ЗБЕРЕЖІТЬ ЦЮ ІНСТРУКЦІЮ - НЕБЕЗПЕКА: ОБОВ'ЯЗКОВО ДОТИМУЙТЕСЬ ЦИХ ІНСТРУКЦІЙ, ЩОБ ЗМЕНШИТИ РИЗИК ВИНИКНЕННЯ ПОЖЕЖІ ТА УРАЖЕННЯ ЕЛЕКТРИЧНИМ СТРУМОМ.
2. Перед тим як використовувати зарядний пристрій, впевніться, чи напруга, доступна у країні вашого перебування, підтримується вашим зарядним пристроєм.
3. Якщо штирі штепсельної вилки не підходять до електричної розетки, тоді використовуйте перехідник належної конфігурації.

### ПРАВИЛЬНА УТИЛІЗАЦІЯ ЦЬОГО ВИРОБУ:



Даний значок означає, що даний виріб забороняється утилізувати разом із звичайним побутовим сміттям у країнах ЄС. Щоб уникнути ймовірної шкоди для навколишнього середовища від неконтрольованої утилізації відходів, здавайте їх на переробку, яка дозволяє заново використовувати відновлювані матеріали. Для повернення вашого апарата, скористайтесь системою повернення та накопичення, або зверніться за інформацією до продавця, у якого ви придбали даний виріб. Вони можуть

### Виймання використаних батарейок та акумуляторів



Країни члени повинні забезпечити, щоб виробники розробляли прилади таким чином, щоб із них можна було легко вийняти використані батарейки та акумулятори. У випадках, коли батарейки та акумулятори не можуть бути легко вийняті користувачем. Країни члени повинні забезпечити, щоб виробники розробляли прилади таким чином, щоб кваліфіковані професіонали, незалежні від виробника, могли легко вийняти використані батарейки та акумулятори. До пристроїв із вбудованими батарейками та акумуляторами повинні додаватись інструкції стосовно того, як кінцеві користувачі або незалежні кваліфіковані професіонали можуть безпечно вийняти ці батарейки або акумулятори. Де необхідно, інструкції також повинні інформувати кінцевого користувача щодо типу вбудованих у пристрій батарейок або акумулятора.

## BRIGGS & STRATTON PRODUCTS WARRANTY POLICY

### LIMITED WARRANTY

Briggs & Stratton warrants that, during the warranty period specified below, it will repair or replace, free of charge, any part that is defective in material or workmanship or both. Transportation charges on product submitted for repair or replacement under this warranty must be borne by purchaser. This warranty is effective for and is subject to the time periods and conditions stated below. For warranty service, find the nearest Authorized Service Dealer in our dealer locator map at [www.BRIGGSANDSTRATTON.com](http://www.BRIGGSANDSTRATTON.com). The purchaser must contact the Authorized Service Dealer, and then make the product available to the Authorized Service Dealer for inspection and testing.

**There is no other express warranty. Implied warranties, including those of merchantability and fitness for a particular purpose, are limited to the warranty period listed below, or to the extent permitted by law. Liability for incidental or consequential damages are excluded to the extent exclusion is permitted by law.** Some states or countries do not allow limitations on how long an implied warranty lasts, and some states or countries do not allow the exclusion or limitation of incidental or consequential damages, so the above limitation and exclusion may not apply to you. This warranty gives you specific legal rights and you may also have other rights which vary from state to state or country to country.\*\*

### WARRANTY PERIOD

	Consumer Use	Commercial Use
Equipment	60 months	None
Battery and Battery Charger	24 months	None

\*\* In Australia - Our goods come with guarantees that cannot be excluded under the Australian Consumer Law. You are entitled to a replacement or refund for a major failure and for compensation for any other reasonably foreseeable loss or damage. You are also entitled to have the goods repaired or replaced if the goods fail to be of acceptable quality and the failure does not amount to a major failure. For warranty service, find the nearest Authorized Service Dealer in our dealer locator map at [BRIGGSandSTRATTON.COM](http://BRIGGSandSTRATTON.COM), or by calling 1300 274 447, or by emailing or writing to [salesenquires@briggsandstratton.com.au](mailto:salesenquires@briggsandstratton.com.au), Briggs & Stratton Australia Pty Ltd, 1 Moorebank Avenue, NSW, Australia, 2170.

The warranty period begins on the date of purchase by the first retail or commercial consumer. "Consumer use" means personal residential household use by a retail consumer. "Commercial use" means all other uses, including use for commercial, income producing or rental purposes. Once a product has experienced commercial use, it shall thereafter be considered as a commercial use product for purposes of this warranty.

To ensure prompt and complete warranty coverage, register your product at the website shown above or at [www.onlineproductregistration.com](http://www.onlineproductregistration.com).

Save your proof of purchase receipt. If you do not provide proof of the initial purchase date at the time warranty service is requested, the manufacturing date of the product will be used to determine the warranty period. Product registration is not required to obtain warranty service on Briggs & Stratton products.

### ABOUT YOUR WARRANTY

Warranty service is available only through Briggs & Stratton Authorized Service Dealers. This warranty covers only defects in materials or workmanship. It does not cover damage caused by improper use or abuse, improper maintenance or repair, normal wear and tear, or stale or unapproved fuel.

**Improper Use and Abuse** - The proper, intended use of this product is described in the Operator's Manual. Using the product in a way not described in the Operator's Manual or using the product after it has been damaged will not be covered under this warranty. Warranty coverage will also not be provided if the serial number on the product has been removed or the product has been altered or modified in any way, or if the product has evidence of abuse such as impact damage or water/chemical corrosion damage.

**Improper Maintenance or Repair** - This product must be maintained according to the procedures and schedules provided in the Operator's Manual, and serviced or repaired using genuine Briggs & Stratton parts or equivalent. Damage caused by lack of maintenance or use of non-original parts is not covered by warranty.

**Normal Wear and Tear** - Like most mechanical devices, your unit is subject to wear even when properly maintained. This warranty does not cover repairs when normal use has exhausted the life of a part or the equipment. Maintenance and wear items such as filters, belts, cutting blades, and brake pads (except engine brake pads) are not covered by warranty due to wear characteristics alone, unless the cause is due to defects in material or workmanship.

**Other Exclusions** - This warranty excludes damage due to accident, abuse, modifications, alterations, improper servicing, freezing or chemical deterioration. Attachments or accessories that were not originally packaged with the product are also excluded. There is no warranty coverage on equipment used for primary power in place of utility power or on equipment used in life support applications. This warranty does not include used, reconditioned, second-hand, or demonstration equipment or engines. This warranty also excludes failures due to acts of God and other force majeure events beyond the manufacturer's control.



### ضمان محدود

تضمن شركة Briggs & Stratton أن تقوم خلال فترة الضمان المحددة أدناه بإصلاح أو استبدال أي جزء من المنتج تكون به عيوب في الخامة أو التصنيع أو كليهما مجانبًا. يتحمل المشتري رسوم نقل المنتج المرسل للإصلاح أو لاستبدال بموجب هذا الضمان. يسري هذا الضمان طوال الفترات الزمنية المنصوص عليها ووفق الشروط المنصوص عليها أدناه. فيما يتعلق بخدمة الضمان، ابحث عن أقرب وكيل خدمة معتمد باستخدام خريطة تحديد مواقع الوكلاء عبر الذهاب إلى [www.BRIGGSANDSTRATTON.com](http://www.BRIGGSANDSTRATTON.com). يجب على المشتري الاتصال بوكيل الخدمة المعتمد، ثم إحضار المنتج إليه من أجل الفحص والاختبار.

يرجى العلم أن الشركة لا تقدم أي ضمان صريح آخر. الضمانات الضمنية بما في ذلك تلك الخاصة بالبرواج والصلاحيه لفرض محدد وتقتصر على فترة الضمان المدرجة أدناه أو حسب النطاق الذي يحدده القانون. يستثنى من ذلك المسؤولية عن الأضرار العارضة أو التابعة التي يسمح القانون باستثنائها. بعض الولايات أو الدول لا تسمح بالاستثناء أو وضع حد للأضرار العارضة أو التابعة، ولهذا فقد لا تنطبق عليك القيود والاستثناءات المذكورة أعلاه. يمنحك هذا الضمان حقًا قانونية خاصة وقد تتمتع أيضًا بحقوق أخرى تختلف من ولاية إلى أخرى. \*\*

### مدة الضمان

استخدام تجاري	استخدام مستهلك	المعدة
لا يوجد	أشهر 60	لا يوجد
لا يوجد	أشهر 24	بطارية وشاحن بطارية

\*\* أفي أستراليا - تقدم منتجاتنا مع ضمانات لا تشمل على استثناءات بموجب قانون المستهلك الأسترالي. يحق لك استبدال أو استرداد الأموال في حال وجود خلل جوهري كما يحق لك التعويض عن أية خسارة أو ضرر آخر يمكن التنبؤ به في حدود المعقول. ويحق لك كذلك إصلاح السلع أو استبدالها في حال قصور السلع عن الوفاء بالجودة المقبولة دون أن تبلغ مستوى الخلل الجوهري. للحصول على خدمة الضمان، ابحث عن أقرب وكيل خدمة معتمد في خريطة تحديد عناوين الوكلاء على [BRIGGSandSTRATTON.COM](http://BRIGGSandSTRATTON.COM) أو اتصل على 1300 274 447، أو أرسل بريداً إلكترونيًا إلى [salesenquires@briggsandstratton.com.au](mailto:salesenquires@briggsandstratton.com.au)، أو خطابًا إلى Briggs & Stratton Australia Pty Ltd, 1 Moorebank Avenue, NSW, Australia, 2170.

تبدأ فترة الضمان من تاريخ شراء بائع التجزئة أو المستهلك. يعني "استخدام المستهلك" استخدام منزلي شخصي بواسطة مستهلك تجزئة. "استخدام تجاري" يعني جميع الاستخدامات، بما في ذلك الاستخدام التجاري، الذي ينتج دخلا أو لأغراض التأجير. وبمجرد استخدام المنتج بطريقة تجارية، يتم اعتباره كجهاز تجاري الاستخدام لأغراض خاصة بهذا الضمان.

من أجل ضمان تغطية فورية وكاملة، سجل منتجك على الموقع الموضح أعلاه أو على [www.onlineproductregistration.com](http://www.onlineproductregistration.com) أو أرسل بريداً إلكترونيًا ببطاقة التسجيل التسجيل الكاملة (إن وجدت) أو اتصل بالرقم 1-800-743-4115 (داخل الولايات المتحدة).

ولكن يُرجى الاحتفاظ بإيصال الشراء. وإذا لم تقدم دليلاً على تاريخ الشراء الأولي عند طلب خدمة الضمان، فسُيُعد تاريخ صناعة المنتج هو تاريخ بداية فترة الضمان. لا يعد تسجيل المنتج أمر ضروري في الحصول على خدمة ضمان منتجات Briggs & Stratton.

### نبذة عن الضمان

تقدم خدمات الضمان فقط عبر وكيل خدمة Briggs & Stratton المعتمد. تُلبى معظم طلبات الإصلاح بموجب الضمان روتينيًا، إلا أن بعض الطلبات قد تكون في غير محلها. فهذا الضمان يغطي فقط عيوب الخامات أو التصنيع. لكنه لا يشمل الأضرار الناجمة عن الاستخدام غير المناسب أو سوء الاستخدام أو الصيانة غير المناسبة أو الإصلاح أو التلف والتمزق الطبيعي.

**الاستخدام غير المناسب أو سوء الاستخدام** - الاستخدام المناسب والمخصص لهذا المنتج مبين في دليل التشغيل. سيُلغى الضمان في حالة استخدام المنتج استخدامًا يخالف ما هو منصوص عليه في دليل التشغيل أو استخدام المنتج بعد تعرضه للتلف. غير مسموح بالضمان في حالة إزالة الرقم المسلسل الموجود على المنتج أو تم تبديل المنتج أو تعديله بأي طريقة أو إذا كان بالمنتج دليل على إساءة الاستخدام مثل ضرر مؤثر أو ضرر تآكل بفعل المياه/المواد الكيميائية.

**الصيانة والإصلاح غير المناسب** - يجب أن تتم صيانة هذا المنتج وفق إجراءات والجداول المقدمة في دليل التشغيل وأن تتم صيانتته وإصلاحه باستخدام قطع غيار Briggs & Stratton الأصلية أو ما يعادلها. لا يشمل الضمان الأضرار الناجمة عن عدم الصيانة أو استخدام قطع غيار غير أصلية.

**التمزق والتلف الطبيعي** - شأنها في ذلك شأن كافة الأجهزة الميكانيكية، تتعرض وحدتك للتلف في حالة عدم الصيانة الملائمة. لا يشمل ذلك الضمان الإصلاح المطلوب عندما يستنفذ الاستخدام العادي العمر الافتراضي لأحد أجزاء المعدة. لا يغطي الضمان أدوات الصيانة وتلك التي تبلى مثل الفلاتر والأحزمة وشفرات التقطيع وليادات الفرامل (باستثناء وليادات فرامل المحرك) نتيجة لخصائص اللي بالاستعمال بمفردها، ما لم يكن السبب نتيجة لعيوب بالمادة أو التصنيع.

**الاستثناءات الأخرى** - يُستثنى من هذا الضمان الأضرار الناجمة عن الحوادث أو سوء الاستخدام أو التعديل أو التغيير أو الصيانة غير المناسبة أو التجمد أو التلف الكيميائي. ويُستثنى أيضًا الملحقات أو المستلزمات غير الموردة مع الجهاز من البداية. لا يشمل هذا الضمان محركات أو معدات البيان العملي أو المستعملة أو المعاد تجديدها أو المستعملة. ويستثنى هذا الضمان الأعطال الناجمة عن أمور الهيبة أو أحداث قهرية أخرى خارج نطاق تحكم المصنِّع.

## ГАРАНЦИОННИ УСЛОВИЯ ЗА ПРОДУКТИТЕ НА BRIGGS & STRATTON

### ОГРАНИЧЕНА ГАРАНЦИЯ

Briggs & Stratton гарантира, че в течение на указания по-долу гаранционен период ще поправи или заменя безплатно всяка част, оказала се дефектна по отношение на материалите или изработката, или и двете. Транспортните разходи за изпратения за ремонт или за замяна продукт трябва да бъдат поети от клиента. Тази гаранция е валидна за определения срок и се подчинява на изложените по-долу условия. За гаранционно сервизно обслужване потърсете най-близкия упълномощен сервизен представител на нашата карта за търсене на представители на [www.BRIGGSandSTRATTON.com](http://www.BRIGGSandSTRATTON.com). Потребителят трябва да се свърже с упълномощен сервизен представител, на когото да предостави продукта за оглед и изпитвания.

**Не се предоставя друга изрична гаранция. Подразбиращите се гаранции, включително тези за годност за продажба или за определено предназначение, са ограничени до посочения по-долу гаранционен срок или до размера, разрешен от закона. Отговорността за непредвидени или сериозни повреди са изключени до продълженото изключване, позволено от закона.** Някои щати или държави не допускат ограничения за срока на валидност на подразбиращи се гаранции. Също така някои щати или държави не позволяват изключване или ограничаване на отговорността за случайни или закономерно настъпили повреди, така че горното ограничение или изключване може да не се отнася за вас. **Настоящата гаранция ви дава определени юридически права, като вие може да имате и други права, които варират в зависимост от щата или държавата.\*\***

### ГАРАНЦИОНЕН СРОК

Артикул	За ползване за собствени нужди	За ползване за промишлени нужди
Оборудване	60 месеца	Няма
батерия и зарядно устройство	24 месеца	Няма

\*\* За Австралия - Нашите стоки се доставят с гаранции, които не могат да се изключват по силата на австралийското потребителско право. За основен дефект имате право на замяна или възстановяване на сумата, както и на компенсация за всяка друга нормално предвидима загуба или повреда. Също така имате право на поправка или замяна на стоката, в случай че тя не е с приемливо качество и повредата не може да се квалифицира като основен дефект. За гаранционното обслужване намерете най-близкия упълномощен сервизен представител в нашата указателна карта на [insert website address], или като позвъните на 1300 274 447, изпратите имейл или пишете на [salesenquires@briggsandstratton.com.au](mailto:salesenquires@briggsandstratton.com.au), Briggs & Stratton Australia Pty Ltd, 1 Moorebank Avenue, NSW, Australia, 2170.

Гаранционният срок започва да тече от датата на закупуване от първия потребител за потребителска или за търговска употреба. "Потребителска употреба" означава употреба за лични и домашни цели на място от краен потребител. "Търговска употреба" означава всеки друг вид употреба, включително за търговски цели, за генериране на доходи или за отдаване под наем. След като веднъж продуктът е бил използван за търговски цели, той се счита за продукт за търговска употреба по силата на тази гаранция.

За да си гарантирате своевременно и пълно гаранционно покритие, регистрирайте своя продукт на уебсайта, посочен по-горе или на [www.onlineproductregistration.com](http://www.onlineproductregistration.com), или изпратете по пощата попълнената регистрационна карта (ако имате такава), или се обадете на тел. 1-800-743-4115 (за САЩ).

Запазете касовата бележка като доказателство за покупката. Ако при необходимост от гаранционно обслужване не осигурите доказателство за датата на първоначалната покупка, за определяне на гаранционния срок ще бъде използвана датата на производство на продукта. Не се изисква регистрация на продукта, за да получите гаранционно сервизно обслужване на продукти на Briggs & Stratton.

### ОТНОСНО ВАШАТА ГАРАНЦИЯ

Гаранционното обслужване се осъществява само чрез упълномощените сервизни представители на Briggs & Stratton. Повечето гаранционни ремонти се извършват рутинно, но има случаи, когато изпълняването на искането е невъзможно. Тази гаранция покрива само дефекти на материалите или изработката. Тя не покрива повреди, причинени от неправилна употреба или злоупотреба, неправилна поддръжка или ремонт, или нормално износване или похабяване.

**Неправилна употреба и злоупотреба** - Правилната употреба съобразно предназначението на този продукт е описана в ръководството за експлоатация. Използването на този продукт по начин, който не е описан в Наръчника за употреба, или използване след като той е бил повреден ще направи гаранцията невалидна. Не се позволява гаранция ако серийния номер на продукта е махнат или продукта е бил променен или модифициран по какъвто и да е начин, също както и при наличието на каквото и да е доказателство за злоупотреба като повреда от удар или водна/химическа корозионна повреда.

**Неправилна поддръжка или ремонт** - Този продукт трябва да се поддържа съгласно процедурите и графика, посочени в ръководството за експлоатация, както и да се обслужва или ремонтира, като се използват оригинални части от Briggs & Stratton или техни еквиваленти. Повреди, причинени от липса на поддръжка или употреба на неоригинални части, не се покриват от гаранцията.

**Нормално износване и похабяване** - Подобно на повечето механични устройства, вашето устройство подлежи на износване, дори когато се поддържа правилно. Тази гаранция не покрива ремонти, когато е настъпило нормално износване на част или на цялото оборудване. Поддръжката и износването на части като филтри, ремъци, режещи остриета и спирачни накладки (с изключение на спирачните накладки на двигателя) не се покриват от гаранцията, когато са настъпили само вследствие на нормално износване; това не важи в случая, когато се дължат на дефекти в материала или изработката.

**Други изключения** - Тази гаранция изключва щети вследствие на злополука, злоупотреба, модификации, промени, неправилно обслужване, замръзване или влошаване на характеристиките поради химически въздействия. Приспособления или аксесоари, които не са доставени в оригиналната опаковка заедно с продукта, също са изключени от гаранцията. Настоящата гаранция не включва използвани, възстановени, втора ръка или оборудване или двигатели за демонстрационни нужди. Тази гаранция също така изключва повреди, дължащи се на природни бедствия и други непредвидими обстоятелства, които са извън контрола на производителя.

## ZÁRUČNÍ PODMÍNKY SPOLEČNOSTI BRIGGS & STRATTON VZTAHUJÍCÍ SE NA PRODUKTY

### OMEZENÁ ZÁRUKA

Společnost Briggs & Stratton se zavazuje, že během níže uvedené záruční doby zdarma opraví nebo vymění jakoukoli část, která vykazuje vadu materiálu, provedení či obojí. Za přepravní náklady spojené s přepravou výrobku k opravě či náhradě při uplatnění záruky je zodpovědný zákazník. Tato záruka je platná pro stanovená časová období a podléhá níže uvedeným podmínkám. Záruční servis zajišťují vám nejbližší autorizovaní dealeri, které naleznete podle naší mapy dealerů na webové stránce [www.BRIGGSandSTRATTON.com](http://www.BRIGGSandSTRATTON.com). Kupující se musí obrátit na autorizovaného dealera, kterému poté umožní daný produkt důkladně prohlédnout a zkontrolovat.

**Neexistují jiné výslovné záruky. Předpokládané záruky, včetně záruk týkajících se prodejnosti a vhodnosti pro určitý účel, jsou omezeny na jeden rok od zakoupení či v rozsahu povoleném zákonem. Zodpovědnost za vedlejší či následné škody je vyloučena v rozsahu povoleném zákonem.** Některé státy a země nepovolují omezení toho, jak dlouho může implikovaná záruka trvat, a některé státy nebo země nepovolují vyloučení nebo omezení incidentních či následných škod, takže výše uvedená omezení či vyloučení nemusí ve vašem případě platit. Tato záruka vám dává specifická práva a práva, která budete mít, se mohou lišit mezi jednotlivými státy a zeměmi.\*\*

### ZÁRUČNÍ DOBA

Položka	Spotřebitelské použití	Komerční použití
Zařízení	60 měsíce	Žádný
nabíječka baterií a baterií	24 měsíce	Žádný

\*\* V Austrálii - Naše zboží je dodáváno se zárukou, která nemůže být podle australského spotřebitelského zákona zrušena. V případě závažné poruchy výrobku máte nárok na jeho výměnu či na vrácení peněz. V případě jiné přiměřené předvídatelné ztráty či újmy máte nárok na náhradu škody. Máte také nárok na opravu nebo výměnu zboží, které nemá přijatelnou kvalitu a vykazuje poruchu, jež není považována za závažnou. Záruční servis zajišťují vám nejbližší autorizovaní dealeri, které naleznete podle naší mapy dealerů na webové stránce [insert website address], nebo zavolejte na číslo 1300 274 447, zašlete e-mail na adresu [salesenquires@briggsandstratton.com.au](mailto:salesenquires@briggsandstratton.com.au) nebo se písemně obraťte na společnost Briggs & Stratton Australia Pty Ltd, 1 Moorebank Avenue, NSW, Australia, 2170.

Záruční lhůta začíná dnem nákupu prvním maloobchodním nebo komerčním spotřebitelem. "Soukromé použití" znamená osobní použití v domácnosti soukromým uživatelem. "Komerční použití" zahrnuje všechna ostatní použití, včetně pro komerční, výnosné a pronájemové účely. Jestliže u výrobku jednou došlo ke komerčnímu použití, pro účely této záruky bude nadále považován za komerční použití.

Aby bylo zajištěno pohotovost a úplné záruční plnění, zaregistrujte produkt na výše uvedených webových stránkách, na stránkách [www.onlineproductregistration.com](http://www.onlineproductregistration.com), zašlete vyplněnou registrační kartu (je-li poskytnuta) nebo volejte na číslo 1-800-743-4115 (v USA).

Uschovejte si váš pokladní doklad. Pokud v době požadavku na záruční služby neprokážete původní datum nákupu, záruční lhůta bude stanovena podle data výroby produktu. K poskytnutí záruční služby na produkty společnosti Briggs & Stratton není vyžadována registrace výrobku.

### O NAŠÍ ZÁRUCE

Záruční služby zajišťují pouze Autorizovaní dealeri značky Briggs & Stratton. Většina reklamačních oprav probíhá bez problémů, ale někdy nemusí být žádost o záruční služby vhodná. Tato záruka se týká pouze defektů v materiálu a provedení. Netýká se škod vzniklých nesprávným použitím nebo zneužitím, nevyhovující údržbou či opravou, nebo běžným opotřebením.

**Nevhodné použití a zneužití** - Řádné a vhodné použití tohoto výrobku je popsáno v Návodu k použití. Použití výrobku způsobem, který není popsán v Návodu k použití, či použití výrobku po jeho poškození ruší platnost záruky. Záruka je neplatná, jestliže bylo odstraněno či jakkoli pozměněno sériové číslo výrobku, jestliže výrobek nese známky nesprávného použití, jako například známky nárazu či vodní či chemické koroze.

**Nevhodná údržba či oprava** - Tento výrobek musí být udržován v souladu s postupy a plány Návodu k použití. K opravě či servisu se smí používat pouze originální součástky od společnosti Briggs & Stratton nebo jejich ekvivalenty. Na poškození způsobené nedostatkem údržby či použitím jiných součástek se nevztahuje záruka.

**Běžné opotřebením** - Jako všechna jiná mechanická zařízení, i vaše jednotka podléhá opotřebování, i když bude řádně udržována. Záruka se nevztahuje na případy, kdy normální použití vedlo k vypršení životnosti výrobku nebo jeho části. Údržba a opotřebování položek jako filtry, kabely, nože či brzdící destičky (motorové brzdící destičky jsou kryty) nejsou součástí záruky, jestliže jsou výsledkem samotného opotřebování, kromě případů, kdy je tomu tak výsledkem defektu v materiálu či provedení.

**Další výjimky** - Tato záruka se nevztahuje na škody způsobené nehodou, zneužitím, modifikací, úpravami, nevhodným servisem, mrazem nebo stárnutím produktů. Nevztahuje se ani na příslušenství nebo doplňky, které s tímto produktem nebyly původně dodány. Tato záruka se nevztahuje na použité, repasované, druhotné nebo demonstrační zařízení a motory. Tato záruka se netýká selhání, která jsou výsledkem vyšší moci a jiných vlivů, které jsou mimo kontrolu výrobce.

## BRIGGS & STRATTON-PRODUKTER. GARANTIPOLITIK

### BEGRÆNSET GARANTI

Briggs & Stratton vil i den nedenfor angivne garantiperiode uden betaling reparere og/eller udskifte enhver del, som har materialedefekter, fremstillingsdefekter eller begge dele. Transportomkostninger i forbindelse med et produkt, som indleveres til reparation eller udskiftning under denne garanti, afholdes af køberen. Denne garanti er gyldig inden for tidsperioderne og underlagt nedenstående betingelser. I forbindelse med garantiservice henvises du til den nærmeste autoriserede serviceforhandler i vores område på [www.BRIGGSandSTRATTON.com](http://www.BRIGGSandSTRATTON.com). Køberen skal kontakte den autoriserede serviceforhandler og derefter stille produktet til rådighed for den autoriserede serviceforhandler til inspektion og test.

**Der ydes ikke nogen anden udtrykkelig garanti. Underforståede garantier inklusive garantier for salgbarhed og velegnethed til et bestemt formål er begrænset til nedenstående garantiperiode eller i den udstrækning, som loven tillader. I den udstrækning gældende lov tillader det, er ansvar for tilfældig skade eller følgeskade ikke omfattet.** Visse stater eller lande tillader ikke begrænsninger på, hvor lang tid en underforstået garanti varer, og visse stater eller lande tillader ikke udelukkelse eller begrænsning af tilfældig skade eller følgeskade, så ovenstående begrænsning og udelukkelse er måske ikke gældende for dig. Denne garanti giver dig specifikke lovmæssige rettigheder, og du kan også have andre rettigheder, der varierer fra land til land.\*\*

### GARANTIPERIODE

Punkt	Almindelig brug	Erhvervmæssig brug
Udstyr	60 måneder	I'gen
Batteri og oplader	24 måneder	Ingen

\*\* I Australien - Vores produkter leveres med garantier, der ikke kan udelukkes under den australske forbrugerlov. Du har ret til en erstatning eller refusion for en større defekt og til godtgørelse af eventuelle andre tab eller skader, der med rimelighed kan forudses. Du er også berettiget til at få produktet repareret eller udskiftet, hvis produktet ikke er af acceptabel kvalitet, og defekten ikke udgør en større defekt. Alle henvendelser i forbindelse med garantiservice skal foregå til den nærmeste autoriserede serviceforhandler, der kan ses på vores kort på [BRIGGSandSTRATTON.com](http://BRIGGSandSTRATTON.com), eller ved at ringe på 1300 274 447 eller skrive til [salesenquires@briggsandstratton.com.au](mailto:salesenquires@briggsandstratton.com.au) eller Briggs & Stratton Australia Pty Ltd, 1 Moorebank Avenue, NSW, Australien, 2170.

Garantiperioden starter på købsdatoen for den første almindelige eller erhvervmæssige forbruger. "Privat brug" betyder brug i personlig beboelsesmæssig husholdning af en detailkunde. "Erhvervmæssig brug" betyder al anden form for brug inklusive erhvervmæssigt, indkomstdannende eller lejebaseret formål. Så snart et produkt har været i erhvervmæssig brug, vil det herefter blive betragtet som værende i erhvervmæssig brug, hvad angår denne garanti.

Registrer dit produkt på ovenstående websted eller på [www.onlineproductregistration.com](http://www.onlineproductregistration.com), eller send det udfyldte registreringskort (hvis medfølger), eller ring til 1-800-743-4115 (i USA) for at sikre øjeblikkelig og komplet garantidækning.

Gem dit købsbevis. Hvis du ikke kan fremvise dokumentation for den oprindelige købsdato på det tidspunkt, hvor garantikravet gøres gældende, vil produktets fremstillingsdato blive brugt som grundlag for garantiperioden. Produktregistrering kræves ikke for at opnå garantiservice på produkter fra Briggs & Stratton.

### OM GARANTIEN

Garantiservice er kun til rådighed gennem Briggs & Stratton autoriserede serviceforhandlere. De fleste garantireparationer håndteres rutinemæssigt, men nogle gange er anmodninger om garantiservice ikke gyldige. Denne garanti dækker kun materiale- og fabrikationsfejl. Den dækker ikke skade forårsaget af forkert brug eller misbrug, forkert vedligeholdelse eller reparation eller normal slitage.

**Forkert brug og misbrug** - Den korrekte, beregnede anvendelse af produktet beskrives i betjeningsvejledningen. Ved anvendelse af produktet på en måde, der ikke er beskrevet i betjeningsvejledningen, eller ved anvendelse af et beskadiget produkt, bortfalder garantien. Garantien er ugyldig, hvis produktets serienummer er fjernet, hvis produktet på nogen måde er ændret eller modificeret, bærer tegn på mishandling som f.eks. stødskaader eller korrosionsskader pga. vand eller kemikalier.

**Forkert vedligeholdelse eller reparation** - Produktet skal vedligeholdes i overensstemmelse med procedurerne og planerne, der er beskrevet i betjeningsvejledningen og skal serviceres eller repareres med brug af originale dele fra Briggs & Stratton eller tilsvarende. Skader, der er opstået som følge af manglende vedligeholdelse eller brug af uoriginale reservedele, dækkes ikke af garantien.

**Normal slitage** - Som med det meste mekaniske udstyr er dette udstyr udsat for slitage, selv om det vedligeholdes korrekt. Denne garanti dækker ikke reparationer, hvor normal brug har forårsaget udløb af levetiden for en del af eller hele maskinen. Vedligeholdelses- og sliddele som f.eks. filtre, remme, knive og bremseklodser (motorens bremseklodser er omfattet) dækkes ikke af garantien ved tegn på slitage alene med mindre årsagen er materiale- eller fremstillingsfejl.

**Andre undtagelser** - Garantien omfatter ikke skader som følge af uheld, misbrug, modifikationer, ændringer, forkert service, frysning eller kemisk nedbrydning. Påmonteret udstyr og tilbehør, der ikke fulgte med i produktets originalemballage, er også undtaget. Garantien omfatter ikke brugt, tilpasset, videresolgt eller demonstrationsudstyr eller -motorer. Denne garanti udelukker fejl og svigt på grund af naturbegivenheder eller andre force majeure-begivenheder uden for producentens kontrol.

**BESCHRÄNKTE GARANTIE**

Briggs & Stratton repariert und/oder ersetzt während des unten genannten Garantiezeitraums kostenlos jegliche Teile des Gerätes, die Fehler an Material oder Verarbeitung oder beidem aufweisen. Die Transportkosten für das zur Reparatur oder zum Austausch eingesandte Produkt unter dieser Garantie müssen vom Käufer getragen werden. Diese Garantie ist für die Zeiträume und unter den unten genannten Bedingungen wirksam. Für Garantieleistungen finden Sie mit Hilfe unserer Händlersuchkarte unter [www.BRIGGSandSTRATTON.com](http://www.BRIGGSandSTRATTON.com) den nächstgelegenen Vertragshändler. Der Käufer muss den Vertragshändler kontaktieren und diesem das Produkt für Inspektion und Tests zur Verfügung stellen.

**Es besteht keine andere ausdrückliche Garantie. Implizierte Garantien, einschließlich der allgemeinen Gebrauchstauglichkeit oder Eignung für einen bestimmten Zweck, sind auf ein Jahr ab dem Kaufdatum oder auf den gesetzlich zugelassenen Umfang beschränkt. Die Haftbarkeit für Folge- oder Begleitschäden ist soweit ausgeschlossen, wie gesetzlich zulässig.** In einigen Staaten ist die Dauer der implizierten Garantie bzw. die Beschränkung von Folge- oder Begleitschäden nicht zulässig, daher könnte die oben genannte Beschränkung oder Ausnahme eventuell nicht auf Sie zutreffen. Durch diese Garantie erhalten Sie spezielle Rechte, und von einem Staat zum anderen können Sie außerdem andere, von Land zu Land variierende Rechte haben.\*\*

**GARANTIEZEITRAUM**

Element	Verbraucheranwendung	Gewerblicher Einsatz
Gerät	60 Monate	Keine
Batterie und Ladegerät	24 Monate	Keine

\*\* In Australien - Unsere Waren werden mit Garantien geliefert, die gemäß dem australischen Verbraucherschutzgesetz (Australian Consumer Law) nicht ausgeschlossen werden können. Bei erheblichen Fehlern haben Sie Anspruch auf Ersatz oder Erstattung sowie auf Schadensersatz bei weiteren angemessen vorhersehbaren Verlusten oder Schäden. Darüber hinaus haben Sie Anspruch auf Reparatur oder Ersatz der Waren, falls diese nicht die zu erwartende Qualität aufweisen und der Defekt keinen erheblichen Fehler darstellt. Für Garantieleistungen kann Ihr nächstgelegener zugelassener Kundendienst (Authorized Service Dealer) anhand unserer Kundendienstkarte bei [BRIGGSandSTRATTON.com](http://BRIGGSandSTRATTON.com), durch einen Anruf unter der Nummer 1300 274 447 oder per E-Mail oder einen Brief an [salesenquires@briggsandstratton.com.au](mailto:salesenquires@briggsandstratton.com.au), Briggs & Stratton Australia Pty Ltd, 1 Moorebank Avenue, NSW, Australia, 2170 ausfindig gemacht werden.

Der Garantiezeitraum beginnt ab Kaufdatum des ersten Einzelhandels- oder kommerziellen Kunden. „Private Verwendung“ bedeutet Benutzung in einem Haushalt durch einen Einzelhandelskunden. „Gewerbliche Verwendung“ bedeutet alle anderen Verwendungszwecke, einschließlich für gewerbliche Zwecke, Zwecke zum Erzielen eines Einkommens oder für Maschinenverleih. Wenn das Produkt einmal kommerziell genutzt wurde, wird es danach für die Zwecke dieser Garantie als kommerziell genutztes Produkt betrachtet.

Um eine umgehende und vollständige Garantieabdeckung zu gewährleisten, registrieren Sie Ihr Produkt auf der oben dargestellten Website Toder unter [www.onlineproductregistration.com](http://www.onlineproductregistration.com) oder senden Sie uns die ausgefüllte Registrierungskarte (falls vorliegend) zu oder rufen Sie uns an unter 1-800-743-4115 (in den USA).

Bewahren Sie einfach Ihren Kaufbeleg auf. Wenn Sie bei einer erforderlichen Garantieleistung keinen Kaufbeleg vorlegen, aus dem das Kaufdatum hervorgeht, wird das Herstellungsdatum des Produkts zur Festlegung des Garantiezeitraums herangezogen. Eine Produktregistrierung ist nicht erforderlich, um eine Garantieleistung für Briggs & Stratton Produkte zu erhalten.

**ZUR GARANTIE**

Garantieleistungen werden ausschließlich von autorisierten Vertragshändlern von Briggs & Stratton erbracht. Die meisten Garantiereparaturen werden routinemäßig gehandhabt, manchmal sind jedoch Anträge auf Reparaturen im Rahmen der Garantie unangemessen. Diese Garantie erstreckt sich ausschließlich auf Material- und Verarbeitungsmängel. Sie deckt keine durch unsachgemäße Verwendung oder Missbrauch des Gerätes, unsachgemäße Wartung oder Reparatur, normale Abnutzung und Verschleiß entstandenen Schäden ab.

**Falscher Einsatz und Missbrauch** - Der korrekte, vorgesehene Einsatz dieses Produktes ist in der Betriebsanleitung angeführt. Die Verwendung des Produkts auf eine Weise, die in der Bedienungsanleitung nicht beschrieben ist, oder die Verwendung des Produkts nach Beschädigung macht diese Garantie ungültig. Eine Garantieleistung ist ausgeschlossen, wenn die Seriennummer des Produkts entfernt oder das Produkt auf irgendeine Weise verändert oder modifiziert wurde oder wenn das Produkt nachweislich unsachgemäß verwendet wurde, z. B. Schäden durch äußere Einwirkung oder Korrosionsschäden durch Wasser bzw. Chemikalien aufweist.

**Unsachgemäße Wartung oder Reparatur** - Dieses Produkt muss gemäß den in der Bedienungsanleitung angegebenen Verfahren und Terminen gewartet und unter Verwendung von Originalersatzteilen von Briggs & Stratton oder gleichwertigen Teilen repariert werden. Durch fehlende Wartung oder die Verwendung von Nicht-Originalersatzteilen verursachte Schäden sind durch die Garantie nicht abgedeckt.

**Normale Abnutzung** - Wie alle mechanischen Geräte unterliegt Ihre Einheit der normalen Abnutzung, selbst wenn sie ordnungsgemäß gewartet wird. Diese Garantie deckt keine Reparaturen ab, wenn Teile oder das gesamte Gerät durch den normalen Gebrauch verschlissen sind. Wartungs- und Verschleißteile, wie Filter, Riemen, Messer und Bremsbeläge (einschließlich Motorbremsbeläge), sind allein auf Grund ihrer Verschleißeigenschaften nicht durch die Garantie abgedeckt, es sei denn, die Schadensursache ist auf Material- oder Verarbeitungsmängel zurückzuführen.

**Weitere Ausnahmen** - Von dieser Gewährleistung ausgenommen sind Beschädigungen durch Unfall, Missbrauch, Modifikationen, Änderungen, unsachgemäße Wartung, Einfrieren oder chemische Zersetzung. Anbaugeräte oder Zubehör, die nicht Teil der Originalverpackung des Produkts waren, sind von der Gewährleistung ausgenommen. Diese Garantie deckt keine gebrauchten, überarbeiteten, aus zweiter Hand stammenden oder Ausstellungsgeräte oder -motoren ab. Diese Gewährleistung schließt Schäden aus, die auf höhere Gewalt zurückzuführen sind und sich der Kontrolle durch den Hersteller entziehen.

## NORMAS DE GARANTÍA DE PRODUCTOS BRIGGS & STRATTON

### GARANTÍA LIMITADA

Briggs & Stratton se compromete a que, durante el período de garantía especificado a continuación, reparará o sustituirá, de manera gratuita, cualquier pieza con defectos de material o fabricación, o de ambos. El comprador deberá correr con los gastos de transporte del producto que envíe para reparación o reemplazo al amparo de esta garantía. Esta garantía tiene vigencia y está sujeta a las condiciones que se establecen más adelante. Para el servicio de garantía, busque el distribuidor de servicio autorizado más cercano en el mapa localizador de distribuidores en [www.BRIGGSandSTRATTON.com](http://www.BRIGGSandSTRATTON.com). El comprador debe ponerse en contacto con el distribuidor autorizado y poner el producto a disposición del mismo para que lo inspeccione y lo pruebe.

**No existe otra garantía expresa. Las garantías implícitas, inclusive aquellas de comerciabilidad y de idoneidad para un propósito en particular, se limitan al período de garantía expresado abajo, o hasta los límites permitidos por la ley. La responsabilidad por daños fortuitos o indirectos está excluida en tanto lo permita la ley.** Algunos países o estados no permiten limitar la duración de una garantía implícita ni excluir o limitar los daños secundarios y derivados. Por tanto, es posible que las limitaciones y exclusiones mencionadas no sean aplicables en su caso. Esta garantía le otorga derechos legales específicos, y también podría tener otros que varían según el estado o el país.\*\*

### PERÍODO DE GARANTÍA

Artículo	Uso particular	Uso comercial
Equipo	60 meses	Ninguno
Cargador de batería y la batería	24 meses	Ninguno

\*\* En Australia, nuestros productos están cubiertos por garantías ineludibles de acuerdo con la legislación sobre consumo de este país. Tiene derecho a un recambio o devolución en caso de avería grave y a una compensación por las posibles pérdidas o daños razonables previsibles. Asimismo, si la avería no es grave, tiene derecho a que se reparen o reemplacen los productos si no tienen una calidad aceptable. Para servicio de garantía, localice al distribuidor de servicio autorizado más cercano con nuestro mapa en [BRIGGSandSTRATTON.COM](http://BRIGGSandSTRATTON.COM), llame al 1300 274 447, o bien, envíe un correo electrónico a [salesenquires@briggsandstratton.com.au](mailto:salesenquires@briggsandstratton.com.au), o escriba a Briggs & Stratton Australia Pty Ltd, 1 Moorebank Avenue, NSW, Australia, 2170.

El período de garantía comienza en la fecha de compra por el primer consumidor o usuario comercial final. «Uso particular» significa uso doméstico residencial personal por un consumidor minorista. «Uso comercial» significa los demás usos, lo que incluye el uso para propósitos comerciales, generar ingresos o alquiler. Una vez que el producto se haya usado para fines comerciales, de ahí en adelante se considerará uso comercial a efectos de esta garantía.

A fin de garantizar una pronta y completa cobertura de la garantía, registre su producto en el sitio web que se muestra arriba o en [www.onlineproductregistration.com](http://www.onlineproductregistration.com), o envíe por correo la tarjeta de registro diligenciada (si se suministra), o llame al 1-800-743-4115 (en los EE. UU.).

Guarde el recibo comprobante de compra. Si no se proporciona una prueba de la fecha de compra inicial en el momento de solicitar servicio de garantía, se utilizará la fecha de fabricación del producto para determinar el período de garantía. No es necesario el registro del producto para obtener el servicio de garantía de los productos Briggs & Stratton.

### ACERCA DE LA GARANTÍA

El servicio de garantía solo está disponible a través de los distribuidores de servicio autorizados de Briggs & Stratton. La mayor parte de las reparaciones bajo garantía se atienden de manera rutinaria, pero algunas veces las solicitudes de reparaciones bajo garantía podrían no ser apropiadas. Esta garantía SÓLO cubre defectos en materiales y mano de obra. No cubre los daños ocasionados por un uso no adecuado o un mal uso, un mantenimiento o unas reparaciones inadecuadas ni el desgaste y la rotura propios del uso.

**Uso no adecuado y mal uso:** el uso correcto y para el que se ha diseñado este equipo se describe en el manual del usuario. Si el producto no se usa de la manera que se describe en el manual del usuario o si el producto se usa después de que haya resultado dañado, quedará anulada la garantía. La garantía queda anulada si se ha borrado el número de serie del producto o el producto ha sido modificado de alguna manera, o si el producto presenta indicios de haber sido usado incorrectamente, por ejemplo, daños producidos por un impacto o daños producidos por corrosión química/agua.

**Mantenimiento o reparaciones inadecuadas:** el producto debe someterse a labores de mantenimiento de acuerdo con los procedimientos y plazos establecidos en el manual del usuario, y para el mantenimiento y las reparaciones se deben utilizar piezas Briggs & Stratton originales o equivalentes. La garantía no cubre los daños ocasionados por la falta de mantenimiento o el uso de piezas no originales.

**Desgaste normal:** al igual que otros dispositivos mecánicos, el producto está sujeto a desgaste incluso si se realiza un mantenimiento correcto. Esta garantía no cubrirá la reparación cuando el uso normal haya agotado la vida útil de una pieza o del aparato. Los accesorios y elementos de mantenimiento como filtros, correas, hojas cortantes y pastillas de freno (excepto las pastillas de freno de los motores) no están cubiertos por la garantía por sus propias características, a no ser que la causa sea un defecto del material o de fabricación.

**Otras exclusiones:** esta garantía excluye cualquier daño provocado por accidente, uso incorrecto, modificaciones, alteraciones, mantenimiento incorrecto, congelación o deterioro producido por productos químicos. También excluye cualquier complemento o accesorio que no se incluyera en el paquete original del producto. Esta garantía no incluye equipos o motores usados, reacondicionados, de segunda mano o de demostración. Esta garantía excluye los fallos debidos a hechos fortuitos y a otros acontecimientos de fuerza mayor que escapan al control del fabricante.

## BRIGGS & STRATTONI TOODETE GARANTIIEESKIRJAD

### OSALINE GARANTII

Briggs & Stratton garanteerib allpool määratletud garantiiperioodi jooksul mis tahes osa, millel on materjali- või tootmisdefekt või mõlemad, tasuta paranduse või asenduse. Parandamiseks või asendamiseks saadetud garantiialuse toote transportikulud tasub ostja. See garantii kehtib allpool nimetatud ajaperioodil ja tingimustel. Garantiiteenuse kasutamiseks otsige veebiaadressilt [www.BRIGGSandSTRATTON.com](http://www.BRIGGSandSTRATTON.com) meie edasimüüjate kaardilt lähim volitatud hooldusfirma. Ostja peab võtma ühendust volitatud hooldusfirmaga ja võimaldama volitatud hooldusfirmale juurdepääsu toote kontrollimiseks ja testimiseks.

**Käesolev garantii on ainus selgesõnaline garantii. Kaudsed garantiid, kaasa arvatud need, mis puudutavad turustatavust ja konkreetseks otstarbeks sobivust, kehtivad allnimetatud garantiiaja või seadusega lubatud perioodi kestel. Tootja ei vastuta juhuslike või kaudsete kahjude eest seadusega ettenähtud piirini.** Mõned riigid või osariigid ei luba piiranguid kaudse garantii kehtivusajale ning mõned riigid või osariigid ei luba juhuslike või kaudsete kahjude välistamist või piiramist, mistõttu eespool nimetatud piirang või välistamine ei pruugi teie jaoks kehtida. Käesolev garantii annab teile kindlad õigushüved ning teil võivad olla ka teised õigused, mis varieeruvad osariigiti või riigiti.\*\*

### GARANTIIPERIOOD

	Olmekasutus	Kaubanduslik eesmärk
Seade	60 kuud	Puudub
Aku ja akulaadija	24 kuud	Puudub

**\*\*Austraalias.** - Meie toodetega kaasnevad garantiid, mida Austraalia tarbijaõiguse alusel ei saa välistada. Teil on õigus asendusele või raha tagasimaksule suure rike korral ning kompensatsioonile mis tahes muudele mõistlikult prognoositavate kadude või kahjude korral. Samuti on teil õigus toodete parandamisele või asendamisele, kui toodete kvaliteet ei vasta vastuvõetavale tasemele ja rike ei ole suur. Garantiiteenuse kasutamiseks otsige veebiaadressilt [BRIGGSandSTRATTON.COM](http://BRIGGSandSTRATTON.COM) meie edasimüüjate kaardilt lähim volitatud hooldusfirma või helistage numbril 1300 274 447 või saatke e-kiri aadressil [salesenquires@briggsandstratton.com.au](mailto:salesenquires@briggsandstratton.com.au) või saatke kiri aadressil Briggs & Stratton Australia Pty Ltd, 1 Moorebank Avenue, NSW, Australia, 2170.

Garantiiperiood algab esimese jaetarbija või kommertskasutaja ostu sooritamise kuupäevast. "Olmekasutus" tähendab isiklikku kodumajapidamises kasutamist jaetarbija poolt. "Kaubanduslik eesmärk" tähendab kõiki teisi kasutusi, kaasa arvatud äriõigustel, tulu tekitaval või rentimise eesmärgil kasutamist. Kui toodet on korra juba äriõigustel eesmärgil kasutatud, siis peetakse seda selle garantii seisukohalt ärikasutuseks.

Kiire ja täieliku garantiikatvuse tagamiseks registreerige oma toode ülalnimetatud veebilehel või veebiaadressil [www.onlineproductregistration.com](http://www.onlineproductregistration.com) või saatke täidetud registreerimiskaart (kui on kaasas) või helistage telefonil 1-800-743-4115 (USA-s).

Hoidke alles ostmist tõendav tšekk. Kui teil puudub esmast ostmiskuupäeva tõendav dokument, siis lähtutakse garantiiteenuse osutamisel garantiiperioodi pikkuse määramisel toote valmistamiskuupäevast. Briggs & Strattoni toodete garantiiteenuse saamiseks ei ole toote registreerimine vajalik.

### TEIE GARANTIIST

Garantiiteenust teostavad ainult ettevõtte Briggs & Stratton volitatud hooldusfirmad. Enamikul juhtudel garantiiremont teostatakse, kuid mõnel juhul ei ole garantiiteenuse nõue asjakohane. Käesolev garantii kehtib ainult materjali- ja tootmisdefektidele. See ei kata kahjusid, mis on põhjustatud toote ebaõigest kasutamisest või väärkasutusest, sobimatust hooldusest või remondist või normaalsest kulumisest.

**Ebaõige kasutamine ja väärkasutus.** - Selle toote õiget, sihtotstarbelist kasutamist kirjeldatakse kasutusjuhendis. Garantii muutub kehtetuks, kui toodet kasutatakse kasutusjuhendis mittekirjeldatud viisil või pärast toote kahjustumist. Garantii ei kehti ka juhul, kui toote seerianumber on eemaldatud või kui toodet on mis tahes viisil muudetud või modifitseeritud või kui tootel esineb ilmseid väärkasutamise tunnuseid, nt lõõgikahjustused või veest / keemilistest ühenditest põhjustatud korrosioon.

**Vale hooldus või remont.** - Seda toodet tuleb hooldada vastavalt kasutusjuhendis nimetatud protseduuridele ja ajakavadele, kasutades hooldamisel või remontimisel ehtsaid Briggs & Strattoni varuosasid või nendega võrdväärseid osasid. Garantii ei kata kahjusid, mis on tekkinud puuduliku hoolduse või mitte originaalvaruosade kasutamise tõttu.

**Normaalne kulumine.** - Kasutamisel kulub toode nagu kõik mehaanilised seadmed, isegi siis, kui neid hooldatakse nõuetekohaselt. Käesolev garantii ei kata remonti juhul, kui normaalne kasutamine on kulutanud läbi kas osa või seadme. Garantii ei kata hooldatavaid ja kuluvaid osi, nt filtrid, löiketerad ja piduriklotsid (välja arvatud mootori piduriklotsid), ainult kulumisnäitajate pärast, kui põhjus ei ole tingitud materjalide ja tootmise defektidest.

**Muud välistamised.** - See garantii välistab õnnetusest, väärkasutusest, muutmisest, ümbertegemisest, valesti hooldamisest, külmumisest või keemilisest mõjust tekkinud kahjud. Garantii ei välistab ka abiseadmeid või tarvikuid, mis ei kuulu toote originaalpakendisse. Käesolev garantii ei kehti seadmetele või mootoritele, mida on kasutatud, muudetud, võetud taaskasutusse või kasutatud näidistoodetena. Käesolev garantii välistab ka rikkeid, mis on tingitud vääraratu jõu sündmustest, mis on väljaspool tootja kontrolli.

## BRIGGS & STRATTON -TUOTTEIDEN TAKUUKÄYTÄNTÖ

### RAJOITETTU TAKUU

Briggs & Stratton takaa, että alla määritettynä takuuajana se korjaa tai vaihtaa veloituksetta osan tai osat, joissa on materiaali- ja/tai valmistusvika. Takuukorjattavan tai takuuvaihdettavan tuotteen kuljetuskustannukset on ostajan maksettava. Tämä takuu on voimassa alla esitetyn ajan ja alla esitetyillä ehdoilla. Jos tarvitset takuuhuoltoa, etsi oman alueesi lähin valtuutettu huoltomyyjä myymälähaustamme osoitteessa [www.BRIGGSandSTRATTON.com](http://www.BRIGGSandSTRATTON.com). Ostajan täytyy olla yhteydessä valtuutettuun huoltomyyjään ja toimittaa tuote valtuutetulle huoltomyyjälle tarkistusta ja testausta varten.

**Muuta nimenomaista takuuta ei myönnetä. Oletetut takuut, kuten jälleennympiäriarvo ja tiettyyn käyttötarkoitukseen sopivuutta koskevat takuut, on rajattu alla mainittuun takuuajanaan tai lain sallimaan laajuuteen. Vastuu tahattomista tai välillisistä vahingoista ei kuulu takuun piiriin, jos laki sallii tällaisen takuurajoituksen.** Kaikki osavaltiot ja maat eivät salli rajoituksia oletetun takuun pituuteen, eivätkä kaikki osavaltiot ja maat salli tahattomien tai välillisten vahinkojen rajaamista takuun ulkopuolelle. Edellä oleva rajoitus ja poikkeus eivät siis välttämättä koske sinua. Tämä takuu antaa sinulle tiettyjä laillisia oikeuksia, mutta sinulla voi lisäksi olla muita oikeuksia, jotka vaihtelevat valtiosta toiseen.\*\*

### TAKUUAIKA

	Yksityiskäyttö	Kaupallinen käyttö
Laite	60 kuukautta	Ei ole
Akku ja laturi	24 kuukautta	Ei ole

\*\* Australia: Tuotteissamme on takuu, jota ei voi sivuuttaa Australian kuluttajansuojalain mukaisesti. Olet oikeutettu vaihtoon tai hyvitykseen merkittävästä viasta ja korvaukseen muusta kohtuullisessa määrin ennakoitavasta tappiosta tai vahingosta. Olet myös oikeutettu tuotteiden korjaukseen tai vaihtoon, jos niiden laatu ei ole hyväksyttävä, vaikka vikaa ei katsottaisi merkittäväksi viaksi. Jos tarvitset takuuhuoltoa, etsi lähin oman alueesi valtuutettu huoltomyyjä myymälähaustamme osoitteessa [BRIGGSandSTRATTON.COM](http://BRIGGSandSTRATTON.COM). Voit myös soittaa numeroon 1300 274 447, tai lähettää sähköpostia tai postia osoitteeseen [salesenquires@briggsandstratton.com.au](mailto:salesenquires@briggsandstratton.com.au), Briggs & Stratton Australia Pty Ltd, 1 Moorebank Avenue, NSW, Australia, 2170.

Takuu aika alkaa sitä päivästä, kun tuote hankitaan ensimmäisen kerran kuluttaja- tai kaupalliseen käyttöön. "Kuluttajakäytöllä" tarkoitetaan vähittäisasiakkaan henkilökohtaista kotitalouskäyttöä. "Kaupallisella käytöllä" tarkoitetaan kaikkea muuta käyttöä, kuten käyttöä kaupalliseen toimintaan, tulonhankintaan tai vuokraukseen. Jos tuote on kerrankin ollut kaupallisessa käytössä, sen katsotaan olevan kaupallisessa käytössä koko takuuajan siitä alkaen.

Jotta varmistat täsmällisen ja täydellisen takuun, rekisteröi tuote yllä mainitulla verkkosivustolla tai osoitteessa [www.onlineproductregistration.com](http://www.onlineproductregistration.com) tai postita täytetty rekisteröintilomake (jos toimitettu) tai soita numeroon 1-800-743-4115 (Yhdysvalloissa).

Säilytä kuitenkin kuitit ostotodistuksena. Jos todistusta ensimmäisen hankinnan päivämäärästä ei toimiteta silloin, kun takuuhuoltoa pyydetään, tuotteen valmistuspäivämäärää käytetään takuuajan määrittämiseen. Briggs & Stratton -tuotteiden takuuhuollon saaminen ei edellytä tuotteen rekisteröintiä.

### TAKUUEHDOT

Takuuhuoltoa saa vain Briggs & Stratton valtuutettujen huoltomyyjien kautta. Useimmat takuukorjaukset hoituvat rutiinomaisesti, mutta aina takuuhuoltopyynnöt eivät ole perusteltuja. Tämä takuu kattaa ainoastaan materiaali- ja valmistusviiat. Se ei kata virheellisestä käytöstä tai väärinkäytöstä, virheellisestä kunnossapidosta tai korjauksesta tai tavanomaisesta kulumisesta aiheutuneita vaurioita.

**Virheellinen käyttö ja väärinkäyttö** - Tämän tuotteen oikea käyttö, johon se on tarkoitettu, on kuvattu käyttöohjeessa. Tuotteen käyttäminen muulla kuin käyttöohjeessa kuvatulla tavalla tai tuotteen käyttäminen sen vahingoittamisen jälkeen aiheuttaa takuun raukeamisen. Takuu ei ole voimassa, jos tuotteen sarjanumero on poistettu tai tuotetta on sormeiltu tai muutettu jollain tapaa tai jos tuotteessa on merkkejä väärinkäytöstä, kuten osumisjälkiä tai veden/kemikaalien aiheuttamia syöpmisvaurioita.

**Virheellinen kunnossapito tai korjaus** - Tätä tuotetta on huollettava käyttöohjeessa kuvattujen menettelyjen ja huoltovälien mukaisesti, ja sen huollossa ja korjauksissa on käytettävä aitoja Briggs & Stratton -osia tai vastaavia osia. Takuu ei kata huollon laiminlyönnistä tai muiden kuin alkuperäisten varaosien käytöstä aiheutuneita vahinkoja.

**Normaali kuluminen** - Kaikkien mekaanisten laitteiden tavoin hankkimasi kone kuluu, vaikka sitä huolletaan asianmukaisesti. Tämä takuu ei kata korjauksia, jotka johtuvat siitä, osa tai laite on kulunut loppuun tavanomaisessa käytössä. Esimerkiksi suodattimien, hihnojen, leikkuuterien ja jarrupalojen (moottorin jarrupaloja lukuun ottamatta, jotka kuuluvat takuun piiriin) kaltaiset huollettavat ja kuluvat osat eivät kuulu takuun piiriin pelkästään kulumisen vuoksi, vaan niissä on oltava materiaali- tai valmistusvika.

**Muut pois suljetut seikat** - Tämä takuu ei koske vaurioita, jotka johtuvat vahingosta, väärinkäytöstä, muokkauksista, muutoksista, epäasianmukaisesta huollosta, jäätymisestä tai kemiallisesta heikkenemisestä. Takuu ei myöskään koske lisäosia tai -varusteita, joita ei toimitettu tuotteen mukana alun perin. Tämä takuu ei kata käytettyjä, uudistettuja, kuluneita tai näyttelylaitteita tai moottoreita. Takuu ei kata vikoja, jotka johtuvat luonnonmullistuksista tai muista ylivoimaisista esteistä, joihin valmistaja ei voi vaikuttaa.



## POLITIQUE DE GARANTIE DES PRODUITS BRIGGS & STRATTON

### GARANTIE LIMITÉE

Briggs & Stratton garantit la réparation ou le remplacement gratuit, pendant la période de garantie spécifiée ci-dessous, de toute pièce présentant des vices de matériaux ou de fabrication. Les frais de transport du produit à réparer ou remplacer seront, dans le cadre de cette garantie, réglés par l'acheteur. Cette garantie court sur les périodes énoncées ci-dessous et est assujettie aux conditions énoncées ci-dessous. Pour trouver le distributeur autorisé le plus proche afin d'obtenir les services couverts par la garantie, veuillez consulter notre carte de localisation de distributeur sur [www.BRIGGSandSTRATTON.com](http://www.BRIGGSandSTRATTON.com). L'acheteur doit contacter le distributeur autorisé, puis lui apporter le produit à des fins d'inspection et de test.

**Il n'y a pas d'autre garantie expresse. Les garanties implicites, y compris celles de qualité marchande et d'adaptation à un emploi particulier, sont limitées à une année à partir de la date d'acquisition ou conformément à ce qui est prévu par la loi. La responsabilité pour les dommages consécutifs ou indirects est exclue dans la mesure où l'exclusion est prévue par la loi.** Certains états ou pays ne permettent pas les limitations de durée de la garantie implicite. Certains états ou pays n'autorisent pas l'exclusion ou la limitation des dommages consécutifs ou indirects. Dans ce cas, la limitation ci-dessus ne s'applique pas à votre cas. La présente garantie vous offre des droits juridiques spécifiques et il se peut que vous ayez d'autres droits qui varient d'une juridiction à une autre, ou d'un pays à un autre.\*\*

### PÉRIODE DE GARANTIE

	Usage privé	Usage professionnel
Équipement	60 mois	Aucun
Batterie et chargeur de batterie	24 mois	Aucun

\*\* En Australie - Nos produits sont livrés avec des garanties qui ne peuvent pas être exclues d'après les droits de la consommation australiens. Vous pouvez obtenir un remplacement ou un remboursement en cas de défaillance majeure ou en compensation de toute perte ou de tout dommage survenu dans le cadre des conditions raisonnablement prévisibles d'utilisation du produit. Vous pouvez également bénéficier de la réparation ou du remplacement des produits si la qualité de ces derniers n'est pas acceptable et si le défaut n'entraîne pas de défaillance majeure. Pour trouver le distributeur autorisé le plus proche afin d'obtenir les services couverts par la garantie, veuillez consulter notre carte de localisation de distributeur sur [insérer l'adresse du site Web], composer le 1300 274 447, ou envoyer une demande par voie électronique à l'adresse [salesenquires@briggsandstratton.com.au](mailto:salesenquires@briggsandstratton.com.au), Briggs & Stratton Australia Pty Ltd, 1 Moorebank Avenue, NSW, Australie, 2170.

La période de garantie commence à la date de l'achat par l'acheteur au détail ou commercial, initial. « Utilisation grand public » fait référence à un emploi dans une résidence individuelle par un particulier. « Utilisation commerciale » indique toutes les autres utilisations possibles, y compris commerciales, créatrices de revenus ou locatives. Une fois l'équipement utilisé à des fins commerciales, il est considéré comme un produit d'utilisation commerciale dans le cadre de cette garantie.

Afin d'assurer une couverture totale et rapide de la garantie, enregistrez votre produit sur le site Web indiqué ci-dessus ou sur [www.onlineproductregistration.com](http://www.onlineproductregistration.com), ou bien envoyez par la poste la carte d'enregistrement de la garantie remplie (si elle est fournie), ou composez le 1-800-743-4115 (aux É.-U.).

Conservez votre reçu d'achat comme preuve. Si vous n'avez pas de preuve de la date de l'achat initial au moment de la demande d'un service en vertu de la garantie, la date de fabrication du produit sera utilisée pour déterminer la période de garantie. L'enregistrement du produit n'est pas requis pour obtenir un service en vertu de la garantie pour les produits Briggs & Stratton.

### AU SUJET DE LA GARANTIE

Un service en vertu de la garantie n'est disponible que par l'intermédiaire des distributeurs autorisés Briggs & Stratton. Parfois, les demandes de réparations dans le cadre de la garantie peuvent ne pas être pertinentes. La présente garantie couvre uniquement les vices de matériaux ou de fabrication. Elle ne couvre pas les dommages causés par une utilisation inappropriée ou abusive, un entretien ou une réparation inapproprié, ou l'usure normale.

**Utilisation inappropriée ou emploi abusif** – L'emploi approprié comme il est prévu pour ce produit est décrit dans le mode d'emploi. L'utilisation du produit d'une façon non décrite dans le manuel d'utilisation ou l'emploi du produit après qu'il a été endommagé a pour effet d'annuler la garantie. Vous ne pourrez vous prévaloir de la garantie si le numéro de série du produit a été retiré, si le produit a été modifié d'une manière quelconque ou s'il présente des preuves d'utilisation abusive, telles que des marques de coups ou de corrosion par l'eau ou des produits chimiques.

**Réparation ou entretien inapproprié** – Ce produit doit être entretenu selon les procédures et les programmes d'entretien décrits dans le manuel de l'utilisateur. En outre, il doit être dépanné ou réparé en utilisant des pièces d'origine Briggs & Stratton ou des pièces équivalentes. Les dommages causés par un manque d'entretien ou l'utilisation de pièces n'étant pas d'origine, ne sont pas couverts par la garantie.

**Usure normale** – Comme tous les appareils mécaniques, votre machine est sujette à l'usure même en cas d'entretien approprié. Cette garantie ne couvre pas la réparation de pièces ou d'équipements usés par un usage normal. Les articles d'entretien et d'usure, tels que filtres, courroies, lames et plaquettes de freins (les plaquettes de frein moteur sont couvertes) ne sont pas couverts par la garantie, uniquement en raison de leur caractéristique d'usure, à moins que la cause ne soit due à des vices de matériaux ou de fabrication.

**Autres exclusions** – Cette garantie ne couvre pas les dégâts dus à des accidents, des abus, des modifications, des altérations ou un entretien incorrect, ni les détériorations provoquées par le gel ou par une agression chimique. Les pièces ou accessoires rattachés ne faisant pas partie du conditionnement d'origine du produit ne sont également pas couverts. Cette garantie ne comporte pas les moteurs ou équipement de démonstration, usagés, d'occasion ou remis à neuf. Cette garantie ne couvre pas les détériorations provoquées par des catastrophes naturelles ou autres cas de force majeure dépassant le contrôle des fabricants.

## PRAVILA JAMSTVA TVRTKE BRIGGS & STRATTON ZA PROIZVODE POLICY

### OGRANIČENO JAMSTVO

Briggs & Stratton jamči da će tijekom jamstvenog razdoblja navedenog u nastavku besplatno popraviti ili zamijeniti svaki dio s nedostatkom u materijalu, izradi ili ovim objema stavkama. Troškove slanja proizvoda na popravak ili zamjenu pod ovim jamstvom mora snositi kupac. Ovo je jamstvo valjano za vremenska razdoblja i podložno uvjetima navedenima u nastavku. Za servis u sklopu jamstva pronađite najbližeg Ovlaštenog servisnog predstavnika na našoj mapi dobavljača na adresi [www.BRIGGSandSTRATTON.com](http://www.BRIGGSandSTRATTON.com). Kupac mora kontaktirati Ovlaštenog servisnog predstavnika, a zatim mu proizvod poslati ili predati radi pregleda i testiranja.

**Ne izriču se nikakva druga jamstva. Implicirana jamstva, uključujući utrživost i prikladnost za određenu svrhu ograničena su na dolje popisan jamstveni ili u obimu dopuštenom zakonom. Odgovornost za slučajnu ili posljedičnu štetu je isključena u obimu dopuštenom zakonom.** Neke savezne države ili zemlje ne dopuštaju ograničenja trajanja impliciranih jamstava, a neke savezne države ili zemlje ne dopuštaju isključivanje ili ograničavanje slučajnih ili posljedičnih šteta, stoga se gore navedeno ograničenje i isključenje možda ne odnosi na vas. Ovo jamstvo daje vam specifična zakonska prava, a možete imati i druga prava koja se razlikuju od države do države ili od zemlje do zemlje.\*\*

### JAMSTVENO RAZDOBLJE

	Privatno korištenje	Komercijalno korištenje
Oprema	60 mjeseca	Nema
Baterija i punjač	24 mjeseca	Nema

\*\* U Australiji - naši proizvodi dolaze s jamstvima koja se ne mogu isključiti pod australskim Zakonom o potrošačim. Imate pravo na zamjenu ili povrat novca u slučaju velikog kvara te naknadu svih ostalih razumski predvidivih gubitaka ili šteta. Također imate pravo na popravak ili zamjenu proizvoda ako se ispostavi da nije prihvatljive kvalitete te da taj nedostatak ne dovodi do velikih kvarova. Za servis u sklopu jamstva pronađite najbližeg Ovlaštenog servisnog predstavnika na našoj mapi dobavljača na adresi [umetnite web-adresu ], nazovite 1300 274 447 ili pošaljite e-poštu ili pismo na adresu [salesenquires@briggsandstratton.com.au](mailto:salesenquires@briggsandstratton.com.au), Briggs & Stratton Australia Pty Ltd, 1 Moorebank Avenue, NSW, Australia, 2170.

Jamstveni rok počinje datumom kupnje prvog maloprodajnog ili komercijalnog korisnika. Korišten u ovoj polici, izraz "privatno korištenje" znači korištenje prvog vlasnika u vlastitom kućanstvu. "Komercijalno korištenje" znači sva ostala korištenja, uključujući korištenje s komercijalnom svrhom ostvarivanja zarade ili iznajmljivanja. Proizvod će se nakon komercijalne uporabe za svrhe ovog jamstva smatrati proizvodom za komercijalnu uporabu.

Kako bi se osigurala promptna i potpuna pokrivenost jamstvom, registrirajte svoj proizvod na gore prikazanoj web stranici ili na [www.onlineproductregistration.com](http://www.onlineproductregistration.com), ili pošaljite poštom ispunjenu registracijsku karticu (ako je isporučena) ili nazovite 1-800-743-4115 (u SAD-u).

Sačuvajte svoj račun koji je dokaz o kupnji. Ako u trenutku zahtijevanja servisa u sklopu jamstva ne pružite dokaz o datumu inicijalne kupnje, za određivanje jamstvenog razdoblja upotrijebit će se datum proizvodnje proizvoda. Registracija proizvoda nije potrebna za pribavljanje jamstvenog servisa za proizvode tvrtke Briggs & Stratton.

### O VAŠEM JAMSTVU

Jamstveni servis dostupan je samo putem Ovlaštenih servisnih predstavnika Briggs & Stratton Ovlašteni servisni predstavnici. Većina jamstvenih popravaka rutinski se obavlja, no nekim zahtjevima za jamstvenim servisom ne može se udovoljiti. Jamstvo pokriva samo nedostatke u materijalu ili izradi. Ne pokriva štetu uzrokovanu nepravilnom uporabom ili zloporabom, nepravilnim održavanjem ili popravljajem, ili uobičajenim habanjem.

**Neppravilna uporaba i zloporaba** - Namijenjena uporaba ovog proizvoda je opisana u Priručniku za uporabu. Uporaba proizvoda na način koji nije opisan u Priručniku za uporabu ili uporaba proizvoda nakon oštećenja čini jamstvo nevažećim. Jamstvo se ne priznaje ako je serijski broj proizvoda uklonjen ili ako je proizvod na bilo koji način izmijenjen ili modificiran te ako postoje dokazi zloporabe, npr. oštećenja uslijed udaraca i vodena ili kemijska korozija.

**Neppravilno održavanje ili popravljaje** - Ovaj proizvod mora se održavati u skladu s postupcima i rasporedima navedenima u Priručniku za upotrebu te servisirati ili popravljati korištenjem izvornih dijelova tvrtke Briggs & Stratton ili ekvivalentnima. Jamstvo ne pokriva štetu nastalu nedostatnim održavanjem ili upotrebom dijelova koji nisu izvorni.

**Uobičajeno habanje** - Kao i svi mehanički uređaji, ovaj je uređaj podložan habanju čak i kada se pravilno održava. Jamstvo ne pokriva popravke dijelova ili opreme čiji je vijek trajanja istekao uslijed uobičajene uporabe. Održavanje i habanje stavki kao što su filtri, remenje, rezne oštrice i kočione pločice (osim pločica kočnice motora) nisu pokriveni jamstvom zbog samih karakteristika habanja, osim ako je habanje uzrokovano nedostacima u materijali ili izradi.

**Ostali izuzeci** - Ovo jamstvo izuzima štete nastale zbog nezgode, zloupotrebe, modifikacija, izmjena, nepravilnog servisiranja, smrzavanja ili kemijskog uništenja. Dodaci ili dodatni pribor koji nisu izvorno pakirani s proizvodom također se izuzimaju. Ovo jamstvo ne uključuje rabljenu, prepravljenu, polovnu ili demonstrativnu opremu ili motore. Ovo jamstvo također ne prekriva kvarove zbog prirodnih nepogoda i drugih prirodnih događaja izvan kontrole proizvođača.

## KORLÁTOZOTT GARANCIA

A Briggs & Stratton garantálja, hogy az alább meghatározott garanciális időtartamon belül díjmentesen megjavítja vagy kicseréli a termék bármely olyan alkatrészét, amelyen anyaghiba és/vagy gyártási hiba mutatkozik. A javítandó vagy cserélendő termék szállítási költségeit a garancia szerint a vásárlónak kell fedeznie. A garancia csak az alábbiakban meghatározott időtartamok és feltételek szerint érvényes. A garanciával kapcsolatos ügyintézéshez keresse meg a legközelebbi hivatalos szakszervizt a következő honlap szervizkeresőjével: [www.BRIGGSandSTRATTON.com](http://www.BRIGGSandSTRATTON.com). A vevőnek fel kell vennie a kapcsolatot a hivatalos márkaszervizzel, és biztosítania kell, hogy a hivatalos márkaszerviz ellenőrizhesse és megvizsgálhassa az adott terméket.

**Más kifejezett garancia nem létezik. A vélelmezett garanciák, beleértve az eladhatóságra és az adott célnak való megfelelésre vonatkozó garanciát a vásárlás napjától számított egy évre vagy a törvény által engedélyezett mértékben korlátozottak. A járulékos és következményes károkért vállalt felelősség a törvény által megengedett mértékben kizárt.** Egyes államokban vagy országokban nem engedélyezett a vélelmezett garancia idejének korlátozása, továbbá bizonyos államokban vagy országokban nem engedélyezett a járulékos vagy következményes károk kizárása vagy korlátozása, így lehetséges, hogy a fenti korlátozás és kizárás Önre nem vonatkozik. A jelen garancia sajátos törvényes jogokat biztosít Önnek, és elképzelhető, hogy egyéb jogai is vannak, amelyek államonként és országonként változnak.\*\*

## GARANCIÁLIS IDŐSZAK

	Fogyasztói felhasználás	Kereskedelmi felhasználás
Berendezés	60 hónap	Nincs
Akkumulátor és töltő	24 hónap	Nincs

\*\* Ausztrália – Termékeinkre olyan garanciák vonatkoznak, amelyek az ausztráliai fogyasztóvédelmi törvény értelmében nem zárhatók ki. Ön a súlyosabb hibák esetében cseréire vagy pénzvisszatérítésre, minden más ésszerűen előrelátható veszteségért vagy kárért pedig kártérítésre jogosult. Akkor is joga van a termékek javítására vagy cseréjére, ha a termékek minősége nem megfelelő, és a meghibásodás nem minősül súlyosnak. Garanciaszolgáltatás igénybeviteléhez keresse meg a legközelebbi hivatalos szakszervizt a [BRIGGSandSTRATTON.com](http://BRIGGSandSTRATTON.com) honlapon található szervizlokátor térképen, vagy hívja az 1300 274 447 számot, illetve küldjön emailt a [salesenquires@briggsandstratton.com.au](mailto:salesenquires@briggsandstratton.com.au) címre, vagy levelet a Briggs & Stratton Australia Pty Ltd, 1 Moorebank Avenue, NSW, Australia, 2170 címre.

A garanciális időszak az első kiskereskedelmi vagy kereskedelmi fogyasztó által végzett vásárlás napján kezdődik. A „fogyasztói felhasználás” a kiskereskedelmi fogyasztó által való személyes felhasználást jelenti lakossági háztartásban. Minden egyéb felhasználás „kereskedelmi felhasználás”, beleértve a kereskedelmi, jövedelemtermelő és bérleti célú felhasználást. Ha egy termék egyszer már kereskedelmi használatba került, akkor ezt követően a jelen garancia szempontjából kereskedelmi felhasználásúnak kell tekinteni.

A pontos és teljes garanciális lefedettség biztosítása érdekében regisztrálja termékét a fent látható webhelyen vagy a [www.onlineproductregistration.com](http://www.onlineproductregistration.com) címen, vagy küldje be a kitöltött regisztrációs kártyát (ha van), illetve (az Egyesült Államokban) hívja az 1-800-743-4115 számot.

Őrizze meg a vásárlást igazoló nyugtát. Ha nem igazolja az eredeti beszerzés dátumát a garanciális szerviz igénylésének időpontjában, akkor a garanciális időszak meghatározásához a termék gyártási időpontját veszik figyelembe. A Briggs & Stratton termékek garanciális szolgáltatásának igénybe vételéhez nem kötelező a termék regisztrációja.

## A GARANCIÁJÁRÓL

Garanciális javításokat kizárólag a következő cég hivatalos márkaszervizei végeznek: Briggs & Stratton. A legtöbb garanciális javítást rutinszerűen kezelik, azonban néha előfordulhat, hogy a garanciális szolgáltatás iránti kérelem nem helyénvaló. Jelen garancia kizárólag anyag- vagy gyártási hiba esetén érvényes. A garancia nem terjed ki a nem megfelelő vagy szabálytalan használat, a nem megfelelő karbantartás vagy javítás, illetve a szokásos kopás és elhasználódás által okozott károkra.

**Nem megfelelő vagy szabálytalan használat** – A termék megfelelő, rendeltetésszerű használata a használati útmutatóban olvasható. A terméknek a használati útmutatóban leírt módtól eltérő használata vagy a sérült termék használata érvényteleníti a garanciát. A garancia nem érvényes, ha a terméken lévő sorozatszámot eltávolították, vagy, ha a terméket bármilyen módon megváltoztatták vagy módosították, továbbá ha a terméken rongálás, például ütés miatti sérülés vagy víz/vegyszer okozta korrózió nyomai láthatóak.

**Nem megfelelő karbantartás vagy javítás** – A termék karbantartását a használati útmutatóban megadott módon és időben kell elvégezni, a szervizelést vagy javítást eredeti Briggs & Stratton vagy egyenértékű alkatrészek használatával kell elvégezni. A karbantartás elmaradása vagy a nem eredeti alkatrészek használata miatti károkat nem érvényes a garancia.

**Szokásos kopás és elhasználódás** – Mint a legtöbb gépi eszköz, ez a készülék is ki van téve az elhasználódásnak, még megfelelő karbantartás mellett is. A garancia nem nyújt fedezetet a javításra akkor, ha egy alkatrész vagy a berendezés élettartamát normál használat merítette ki. A karbantartási vagy kopó elemekre, mint pl. szűrők, szíjak, vágópengék és fékpofák (leszámítva a motorfékpofákat), kizárólag a kopási jellemzők miatt nem terjed ki a garancia, csak akkor, ha az elhasználódás oka anyag- vagy gyártási hiba.

**Egyéb kivételek** – A jelen garancia nem terjed ki a baleset, rongálás, módosítás, átalakítás, nem megfelelő szerviz, fagyás vagy vegyi rongálódás miatt bekövetkező meghibásodásokra. Az eredetileg nem a termékhez csomagolt kellekerekre és tartozékokra szintén nem terjed ki a garancia. A garancia nem terjed ki használt, felújított, újraértékesített vagy demonstrációs célt szolgáló berendezésekre vagy motorokra. Jelen garancia szintén kizárja a vis maior és más hasonló jellegű, a gyártó hatáskörén kívül álló események miatt bekövetkező meghibásodásokat.

## POLITICA DI GARANZIA PER PRODOTTI BRIGGS & STRATTON

### GARANZIA LIMITATA

Briggs & Stratton garantisce che, durante il periodo di garanzia specificato di seguito, provvederà alla riparazione o alla sostituzione gratuita di parti che presentino difetti di materiale o di lavorazione o entrambi. Tutte le spese di trasporto del prodotto destinato alla riparazione o sostituzione coperti dalla presente garanzia sono a carico dell'acquirente. La presente garanzia risulta valida per il periodo di tempo indicato nella presente polizza ed è soggetta alle condizioni indicate di seguito. Per il servizio di assistenza coperto da garanzia, localizzare il centro di assistenza autorizzato più vicino tramite il nostro strumento di ricerca sul sito Web [www.BRIGGSandSTRATTON.com](http://www.BRIGGSandSTRATTON.com). L'acquirente dovrà contattare il centro di assistenza autorizzato e mettere a disposizione di quest'ultimo il prodotto per l'ispezione e la verifica.

**Non viene fornita alcuna altra garanzia esplicita. Le garanzie implicite, comprese quelle di commerciabilità e adeguatezza ad uno scopo particolare, sono limitate al periodo di garanzia indicato di seguito o a quanto consentito dalla legge. La responsabilità per danni incidentali o consequenziali è esclusa nella misura prevista dalla legge.** Alcuni stati o Paesi non consentono limiti alla durata della garanzia implicita e alcuni stati o Paesi non ammettono l'esclusione o la limitazione di danni incidentali o consequenziali, quindi la suddetta limitazione ed esclusione potrebbe non essere applicabili al singolo utente. La presente garanzia concede all'utente specifici diritti legali e lo stesso potrebbe godere di altri diritti che variano da stato a stato o da Paese a Paese.\*\*

### PERIODO DI GARANZIA

	Uso privato	Uso commerciale
Apparecchio	60 mesi	Nessuna
Carica batteria e la batteria	24 mesi	Nessuna

\*\* In Australia - I nostri prodotti sono dotati di garanzie che non possono essere escluse secondo la legge australiana a tutela dei consumatori. L'utente ha diritto alla sostituzione o al rimborso in caso di guasto grave e a un indennizzo per ogni altra perdita o danno ragionevolmente prevedibile. L'utente ha pertanto diritto alla riparazione o alla sostituzione della merce qualora questa non sia di qualità accettabile e il guasto non sia equiparabile a un guasto grave. Per il servizio di assistenza coperto da garanzia, trovare il centro di assistenza autorizzato più vicino tramite il nostro strumento di ricerca sul sito web [inserire indirizzo sito web], telefonando al numero 1300 274 447 oppure inviando una mail o una lettera a [salesenquires@briggsandstratton.com.au](mailto:salesenquires@briggsandstratton.com.au), Briggs & Stratton Australia Pty Ltd, 1 Moorebank Avenue, NSW, Australia, 2170.

Il periodo di garanzia decorre dalla data di acquisto del primo acquirente, sia esso un utente consumatore o professionale. "Utente consumatore" indica una famiglia in una residenza che ha acquistato al dettaglio. Per "uso professionale" si intendono tutti gli altri tipi di utilizzo, l'utilizzo professionale, l'uso per conto terzi e il noleggio. Se il prodotto viene utilizzato a fini commerciali sarà pertanto considerato come soggetto ad uso commerciale ai fini di questa garanzia.

Per assicurare l'applicazione immediata e totale della garanzia, è necessario registrare il proprio prodotto sul sito Web indicato in alto o all'indirizzo [www.onlineproductregistration.com](http://www.onlineproductregistration.com); in alternativa inviare tramite posta la scheda di registrazione compilata (se fornita) o chiamare il numero 1-800-743-4115 (solo USA).

Conservare la ricevuta di acquisto come prova. Se, al momento di richiesta di applicazione della garanzia, non si fornisce alcuna prova della data di acquisto originale del prodotto, il periodo di garanzia verrà definito in riferimento alla data di produzione. Ai fini dell'applicazione della garanzia, non è necessaria la registrazione del prodotto Briggs & Stratton.

### INFORMAZIONI SULLA GARANZIA

Il servizio di assistenza in garanzia è disponibile esclusivamente presso i centri di assistenza autorizzati Briggs & Stratton. La maggior parte delle richieste di garanzia viene di norma gestito celermente come semplice procedura di routine; tuttavia, alcune richieste di garanzia non appaiono giustificate. Questa garanzia si applica solo in casi di difetti di materiali o lavorazione. Non copre i danni provocati da uso improprio o abuso, manutenzione o riparazioni non corrette e normale usura.

**Uso improprio e abuso** - L'uso corretto previsto per questo prodotto è descritto nel Manuale per l'operatore. L'uso del prodotto in un modo diverso da quanto descritto nel Manuale per l'operatore, o l'uso del prodotto danneggiato, invalida la garanzia. La garanzia non è consentita se il numero di serie del prodotto è stato rimosso o se il prodotto è stato alterato o modificato in qualche modo o se il prodotto presenta prove di abuso quali danni da impatti o danni da corrosione per acqua/sostanze chimiche.

**Manutenzione o riparazioni non corrette** - Questo prodotto deve essere sottoposto a manutenzione secondo le procedure e i programmi riportati nel Manuale per l'operatore; l'assistenza o le riparazioni devono essere eseguite con componenti Briggs & Stratton originali o equivalenti. I danni provocati da mancanza di manutenzione o da uso di componenti non originali non sono coperti da garanzia.

**Usura normale** - Come tutti i dispositivi meccanici, questa unità è soggetta ad usura anche se riceve la manutenzione corretta. La garanzia non copre le riparazioni di quelle parti dell'apparecchio che hanno esaurito la propria vita utile. Gli articoli usati per la manutenzione e soggetti ad usura come filtri, cinghie, lame per il taglio e pastiglie per freni (le pastiglie per i freni del motore sono coperte) non sono coperti da garanzia per le sole caratteristiche di usura, a meno che la causa sia dovuta a difetti di materiali o lavorazione.

**Altre esclusioni** - Questa garanzia non comprende eventuali danni dovuti ad incidenti, uso non appropriato, modifiche, alterazioni, manutenzione non adeguata, congelamento o deterioramento chimico. Sono esclusi anche i pezzi aggiuntivi o gli accessori non inclusi nella confezione originale del prodotto. La presente garanzia non copre apparecchiature o motori usati, revisionati, di seconda mano o usati per dimostrazioni. La presente garanzia non copre eventuali difetti dovuti a cause di forza maggiore non imputabili al produttore.

## „BRIGGS & STRATTON“ GAMINIŲ GARANTIJA

### RIBOTOJI GARANTIJA

Bendrovė „Briggs & Stratton“ garantuoja, kad toliau nurodytu garantiniu laikotarpiu nemokamai taisyms arba pakeis bet kokią šio gaminio dalį, kurioje yra medžiagų ir (arba) gamybos defektų. Pagal šią garantiją, gabenimo išlaidas, patirtas vežant gaminį taisyti ar pakeisti, privalo padengti pirkėjas. Ši garantija galioja toliau nurodytą laikotarpį, esant toliau nurodytoms sąlygoms. Norėdami pasinaudoti garantinio aptarnavimo paslaugomis, susisieki su artimiausiu įgaliotuoju techninio aptarnavimo atstovu, kurio adresą rasite svetainėje [www.BRIGGSandSTRATTON.com](http://www.BRIGGSandSTRATTON.com) esančiu atstovų ieškiklio žemėlapyje. Pirkėjas privalo kreiptis į įgaliotąjį techninio aptarnavimo atstovą, o tada pristatyti gaminį įgaliotajam techninio aptarnavimo atstovui, kad šis jį galėtų jį apžiūrėti ir patikrinti.

**Tai nėra jokia speciali garantija. Numanomos garantijos, įskaitant tinkamumo konkrečiam tikslui garantijas, galioja vienerius metus nuo pirkimo datos arba tiek, kiek leidžiama pagal įstatymus. Atsakomybės dėl atsitiktinių ar logiškai išplaukiančių nuostolių yra atsakoma tokiu mastu, kiek tai leidžiama pagal įstatymus.** Tam tikrose valstybėse apribojimai dėl numanomos garantijos draudžiami arba draudžiamas pašalinimas arba apribojimas dėl atsitiktinės arba logiškai išplaukiančios žalos, taigi, pirmiau minėtas apribojimas arba pašalinimas jūsų atžvilgiu gali būti netaikytinas. Ši garantija suteikia jums ypatingų teisių, tačiau jūs galite turėti ir kitokių teisių, kurios įvairiose valstybėse gali būti skirtingos.\*\*

### GARANTINIS LAIKOTARPIS

	Privatus naudojimas	Komerčinis naudojimas
Įrenginys	60 mėnesiai	Nėra
Baterijos ir baterijų įkroviklis	24 mėnesiai	Nėra

\*\* Australijoje – mūsų prekės parduodamos su garantijomis, kurių negalima pašalinti pagal Australijos vartotojų teisių įstatymą. Jūs turite teisę į gaminio pakeitimą arba pinigų grąžinimą didelio gedimo atveju arba atlyginimą už bet kokią pagrįstai iš anksto numatomą žalą arba nuostolius. Jūs taip pat turite teisę reikalauti, kad prekės būtų suremontuotos arba pakeistos tuo atveju, jeigu prekės yra nepriimtinos kokybės, o gedimas negali būti kvalifikuojamas dideliu gedimu. Norėdami pasinaudoti garantinio aptarnavimo paslaugomis, kreipkitės į artimiausią įgaliotąjį techninio aptarnavimo atstovą, kurio adresą rasite tinklapio [BRIGGSandSTRATTON.com](http://BRIGGSandSTRATTON.com) atstovų būstinės žemėlapyje, arba skambinkite tel. 1300 274 447, arba rašykite el. pašto adresu [salesenquires@briggsandstratton.com.au](mailto:salesenquires@briggsandstratton.com.au), arba rašykite įprasto pašto adresu Briggs & Stratton Australia Pty Ltd, 1 Moorebank Avenue, NSW, Australia (Australija), 2170.

Garantinis laikotarpis prasideda dieną, kai įrangą įsigyja pirmasis fizinis arba juridinis asmuo. "Asmeninis vartojimas" reiškia vartojimą asmeniniame gyvenamajame ūkyje, kai gaminį vartoja mažmenininkas. "Komerčinis vartojimas" reiškia vartojimą, įskaitant komercinius ar nuomos tikslus, siekiant gauti iš to pajamų. Pagal šią garantiją, kai tik gaminys panaudojamas komerciniu tikslu, nuo tos akimirkos, jis laikomas skirtu naudoti komerciniam tikslui.

Siekdami užtikrinti greitą visų garantinių paslaugų suteikimą, prašome užregistruoti įsigytą produktą anksčiau nurodytame puslapyje arba adresu [www.onlineproductregistration.com](http://www.onlineproductregistration.com), taip pat galite paštu išsiųsti užpildytą registracijos kortelę (jei gavote) arba užregistruoti produktą paskambinę numeriu 1-800-743-4115 (JAV).

Išsaugokite pirkimą patvirtinančią čekį. Jeigu garantinio laikotarpio metu, kai jums prireikia garantinių paslaugų, nepateiksite čekio, įrodančio pirmo pirkimo datą, garantinis laikotarpis bus skaičiuojamas nuo gaminio pagaminimo datos. Produkto registracija nėra būtina, kad „Briggs & Stratton“ suteiktų garantines paslaugas.

### DĖL JŪSŲ GARANTIJOS

Garantinio aptarnavimo paslaugas teikia tik Briggs & Stratton įgaliotieji techninio aptarnavimo atstovai. Didžioji garantinių remonto darbų sutvarkoma kaip nustatyta, bet kartais garantinio aptarnavimo paslaugas suteikti atsisakoma. Ši garantija galioja tik esant medžiagos arba gamybos defektų. Ji negalioja žalai, kuri sukeliama produktą naudojant netinkamai arba ne pagal paskirtį, netinkamai vykdant techninę priežiūrą arba remontą ir įprasto susidėvėjimo atvejais.

**Netinkamas naudojimas ir naudojimas ne pagal paskirtį** – tinkamas, numatytasis šio gaminio naudojimas yra aprašytas operatoriaus vadove. Naudojant gaminį ne taip, kaip aprašyta operatoriaus vadove, arba naudojant galimą po to, kai jis buvo sugadintas, garantija nebegalios. Garantija negalioja ir tuo atveju, jei pašalinamas ant gaminio esantis serijos numeris arba jei gaminys yra kokiu nors būdu pakeistas ar modifikuotas, arba jei gaminyje yra piktnaudžiavimo juo įrodymų, pavyzdžiui, pažeidimų nuo smūgių ar vandens (cheminės korozijos) padaryta žalos.

**Netinkama techninė priežiūra arba remontas** – šis gaminys privalo būti techniškai prižiūrimas pagal operatoriaus vadove pateiktas procedūras ir laiko planus, ir techniškai prižiūrimas arba taisomas naudojant originalias „Briggs & Stratton“ dalis. Ši garantija netaikoma esant žalai dėl techninės priežiūros nebuvimo arba neoriginalių dalių naudojimo.

**Įprastas susidėvėjimas** – kaip ir visi mechaniniai prietaisai, šis įrenginys gali susidėvėti net ir tinkamai techniškai jį prižiūrint. Ši garantija netaikoma remonto darbams, kai gaminio tarnavimo laikas baigiasi dėl jo arba kokios nors jo dalies natūralaus susidėvėjimo. Garantija netaikoma techninės priežiūros ir nusidėvėjimo elementams, pavyzdžiui, filtrams, diržams, pjovimo peiliams ir stabdžių kaladėlėms (variklio stabdžių kaladėlėms garantija galioja) vien nusidėvėjimo charakteristikų atžvilgiu, nebent žala būtų padaryta dėl medžiagų ar gamybos defektų.

**Kitos išimties** – ši garantija netaikoma esant žalai dėl nelaimingo atsitikimo, netinkamo naudojimo, modifikacijų, dalinių pakeitimų, netinkamos priežiūros, užšalimo arba cheminio nusidėvėjimo. Priedams arba aksesuarams, kurie nėra pateikiami originalioje pakuotėje kartu su gaminiu, ši garantija taip pat netaikoma. Ši garantija netaikoma naudotai, restauruotai, perduotai kitam savininkui ar demonstracinei įrangai ar varikliams. Ši garantija taip pat netaikoma esant gedimų, atsiradusių dėl stichinių nelaimių ir kitų nenumatytų aplinkybių (force majeure), kurių gamintojas negali kontroliuoti.

## IEROBEŽOTĀ GARANTIJA

Tālāk norādītajā garantijas periodā uzņēmums Briggs & Stratton apņemas bez papildu maksas remontēt vai nomainīt jebkuras sastāvdaļas ar izejmateriāla vai ražošanas defektu. Transporta izmaksas par izstrādājumu, kurš šīs garantijas ietvaros iesniegts remontam vai apmaiņai, jāsedz pircējam. Šī garantija ir spēkā tālāk norādītajos laika periodos un ievērojot tālāk izklāstītos nosacījumus. Lai saņemtu garantijas apkopes pakalpojumus, skatiet pārstāvju meklēšanas karti vietnē [www.BRIGGSandSTRATTON.com](http://www.BRIGGSandSTRATTON.com) un noskaidrojiet tuvāko pilnvaroto apkopes pakalpojumu sniedzēju. Pircējam ir jāsažinās ar pilnvaroto apkopes pakalpojumu sniedzēju un jānogādā izstrādājums tā turpmākai pārbaudei un testēšanai pilnvarotajam apkopes pakalpojumu sniedzējam.

**Citu tiešu garantiju nav. Netiešas garantijas, ieskaitot garantijas par piemērotību pārdošanai un atbilstību noteiktam nolūkam, ir spēkā zemāk norādītajā garantijas periodā, vai arī uz tām attiecināmi tiesību aktos atrunātie ierobežojumi. Atbildība par nejausiem vai izrietošiem zaudējumiem tiek izslēgta tādā mērā, kādā šī atbildības izslēgšana ir atrunāta tiesību aktos.** Dažās valstīs un zemēs neatzīst ierobežojumus attiecībā uz to, cik ilgi ir spēkā netiešā garantija, bet citās valstīs vai to daļās nepieļauj nejausos vai izrietošos zaudējumu izslēgšanu vai ierobežošanu, tādēļ iepriekšminētais ierobežojums un garantijas izslēgšana var neattiekties uz jums. Šī garantija sniedz jums noteiktas juridiskās tiesības, un jums var arī būt citas tiesības, kuras atšķiras dažādās valstīs un dažādās vienas valsts daļās.\*\*

## GARANTIJAS PERIODS

	Lietošana patēriņa vajadzībām	Komerčiāla lietošana
Aprīkojums	60 mēneši	Nav
Akumulators un lādētājs	24 mēneši	Nav

\*\* Austrālijā: mūsu izstrādājumi tiek nodrošināti ar garantijām, kuras saskaņā ar Austrālijas Patērētāju aizsardzības likumu nevar izslēgt. Jums ir tiesības nomainīt izstrādājumu vai saņemt naudas līdzekļu atmaksu, ja izstrādājuma darbībā radušies būtiski traucējumi, vai arī, ja radušies citi pamatoti paredzami zaudējumi vai bojājumi. Turklāt jums ir tiesības iesniegt izstrādājumu remontam vai nomainīt izstrādājumu, ja tā kvalitāte nav pieņemama, taču tā darbības traucējumi nav būtiski. Lai saņemtu garantijas apkopes pakalpojumus, skatiet pārstāvju meklēšanas karti vietnē [BRIGGSandSTRATTON.COM](http://BRIGGSandSTRATTON.COM) un noskaidrojiet tuvāko pilnvaroto apkopes pakalpojumu sniedzēju, vai sazinieties ar mums pa tālruni 1300 274 447, sūtiet e-pasta ziņojumu uz e-pasta adresi [salesenquires@briggsandstratton.com.au](mailto:salesenquires@briggsandstratton.com.au) vai rakstiet uz adresi Briggs & Stratton Australia Pty Ltd, 1 Moorebank Avenue, NSW, Australia, 2170.

Garantijas periods sākas dienā, kad izstrādājumu iegādājies pirmais mazumtirdzniecības patērētājs vai komercpatērētājs. "Izmantošana patēriņa vajadzībām" nozīmē, ka mazumtirdzniecības patērētājs izmanto precī savā māsaimniecībā. "Izmantošana komerciāliem nolūkiem" nozīmē visus pārējos preces izmantošanas veidus, tai skaitā lietošanu komerciāliem, peļņas gūšanas vai izīrēšanas nolūkiem. Tiklīdz izstrādājums tiek izmantots komerciāliem nolūkiem, saskaņā ar šīs garantijas nosacījumiem turpmāk tas tiek uzskatīts par komerciāli lietošanai iegādātu izstrādājumu.

Lai nodrošinātu ātru un pilnvērtīgu garantijas servisu, reģistrējiet izstrādājumu turpmāk norādītajā vietnē vai vietnē [www.onlineproductregistration.com](http://www.onlineproductregistration.com), nosūtiat aizpildītu reģistrācijas karti pa pastu vai zvaniet pa tālruni uz numuru 1-800-743-4115 (ASV).

Saglabājiet savu pirkumu apliecināmo čeku. Ja netiek iesniegts apliecinājums sākotnējam pirkuma datumam, kad ir nepieciešams garantijas serviss, tad garantijas perioda noteikšanai tiek izmantots izstrādājuma izgatavošanas datums. Lai varētu izmantot Briggs & Stratton garantiju, nav nepieciešams reģistrēt izstrādājumu.

## PAR JŪSU GARANTIJU

Garantijas apkopes pakalpojumi ir pieejami tikai, sazinoties ar Briggs & Stratton pilnvaroto apkopes pakalpojumu sniedzēju. Parasti garantijas remontdarbus veic ierastajā kārtībā, taču dažreiz garantijas prasības var būt nepamatotas. Šī garantija sedz tikai materiālu vai ražošanas defektus. Tā nesedz bojājumus, ko izraisījis neatļauta vai nepareiza lietošana, nepareiza apkope vai remonts, kā arī parastu izstrādājuma nolietojumu.

**Neatļauta un nepareiza lietošana.** Pareiza izstrādājuma lietošana un tā pielietojuma mērķis ir aprakstīti lietotāja rokasgrāmatā. Izstrādājuma lietošana veidā, kas nav norādīts lietotāja rokasgrāmatā vai izstrādājuma lietošana pēc tam, kad tas ticis bojāts, anulē tiesības uz garantiju. Garantija zaudē spēku, ja ir noņemts izstrādājuma sērijas numurs, vai ja izstrādājums ir jebkāda veidā mainīts, kā arī gadījumos, kad var pierādīt tā ļaunprātīgu izmantošanu, piemēram, ja atrasti bojājumi no sitieniem vai ūdens/ķīmiskās korozijas.

**Nepareiza tehniskā apkope vai remonts.** Šī izstrādājuma tehniskā apkope ir jāveic atbilstoši lietotāja rokasgrāmatā aprakstītajām procedūrām un grafikiem, un remonts vai apkope ir jāveic, lietojot oriģinālās Briggs & Stratton vai līdzvērtīgas rezerves daļas. Šī garantija nesedz bojājumus, kas radīti tehnisko apkopju neveikšanas vai neoriģinālo rezerves daļu lietošanas rezultātā.

**Parastais nolietojums.** Tāpat kā vairums mehānisku ierīču, arī jūsu aprīkojums ir pakļauts nolietojumam, pat, ja tam pienācīgi veiktas apkopes. Garantija nesedz remonta izmaksas, ja parastas lietošanas rezultātā ir daļēji vai pilnīgi samazinājies aprīkojuma vai atsevišķas tā detaļas darbūžs. Garantija neattiecas uz sastāvdaļām, kurām ir nepieciešama tehniskā apkope vai kuras ir pakļautas dabiskajam nolietojumam, piemēram, uz filtriem, siksnām, asmeņiem, bremžu klučiem (izņemot dzinēja bremžu klučus), izņemot izejmateriāla vai ražošanas defekta gadījumā.

**Citi ierobežojumi.** Šajā garantijā nav iekļauti bojājumi, kas radušies negadījumā, ļaunprātīgas izmantošanas, modifikāciju, izmaiņu, nepareizas apkopes, sasalšanas vai ķīmiskas korozijas dēļ. Garantija neattiecas arī uz palīgierīcēm un piederumiem, kas nav bijuši iekļauti izstrādājuma sākotnējā komplektācijā. Šī garantija neattiecas uz lietotu, daudzkārtlietojamu vai prezentācijas nolūkiem paredzētu aprīkojumu vai dzinējiem. Tāpat šī garantija nesedz defektus, kas radušies stihisku nelaimju vai citu nepārvaramas varas notikumu dēļ, kurus ražotājs nespēj ietekmēt.

## BRIGGS & STRATTON GARANTIEBELEID PRODUCTEN

### BEPERKTE GARANTIE

Briggs & Stratton garandeert dat het gedurende de hieronder opgegeven garantieperiode alle onderdelen van het apparaat met materiaal- en/of fabricagefouten gratis zal repareren en/of vervangen. Transportkosten voor onderdelen die zijn ingezonden voor reparatie of vervanging onder deze garantie komen ten laste van de koper. Deze garantie is geldig voor- en onderhavig aan de onderstaande periodes en voorwaarden. Voor garantieservice kunt u de dichtstbijzijnde erkende servicedealer vinden met behulp van de dealerzoekfunctie op [www.BRIGGSandSTRATTON.com](http://www.BRIGGSandSTRATTON.com). De koper moet contact opnemen met de erkende servicedealer en vervolgens het product beschikbaar stellen aan de erkende servicedealer voor onderzoek en tests.

**Er zijn geen andere expliciete garanties van toepassing. Impliciete garanties zoals die van verkoopbaarheid en geschiktheid voor een bepaald doel zijn beperkt tot één jaar vanaf aankoop of tot mate die door de wet is toegestaan. Aansprakelijkheid voor incidentele of gevolgschade wordt uitgesloten voor zover dit wettelijk toegestaan is.** Bepaalde staten of landen staan geen beperkingen toe over hoe lang een impliciete garantie geldig is en bepaalde staten of landen staan geen uitsluiting of beperking toe voor incidentele of gevolgschade, zodat de hoger vermelde beperking en uitsluiting misschien niet op u van toepassing is. Deze garantie verleent u specifieke wettelijke rechten en het is mogelijk dat u ook andere rechten hebt, aangezien deze per staat of per land kunnen verschillen.\*\*

### GARANTIEPERIODE

	Particulier gebruik	Commercieel gebruik
Uitrusting	60 maanden	Geen
Batterij en batterijlader	24 maanden	Geen

\*\* In Australië - Onze artikelen worden geleverd met garanties die onder de Australische consumentenwetgeving niet kunnen worden uitgesloten. U hebt recht op vervanging of terugbetaling voor een grote storing en voor compensatie voor alle andere redelijk te voorzien verliezen of schade. U hebt ook het recht om de goederen te laten repareren of vervangen als de goederen niet van een aanvaardbare kwaliteit zijn en de schade niet een belangrijke storing is. Voor garantieservice kunt u de dichtstbijzijnde erkende servicedealer vinden met behulp van de dealerzoekfunctie op [insert website address], of door 1300 274 447 te bellen, of door een e-mail of brief te sturen aan [salesenquires@briggsandstratton.com.au](mailto:salesenquires@briggsandstratton.com.au), Briggs & Stratton Australia Pty Ltd, 1 Moorebank Avenue, NSW, Australia, 2170.

De garantieperiode begint op de datum van aankoop door de eerste consument of commerciële klant. "Consumentengebruik" betekent persoonlijk huishoudelijk gebruik door een particuliere consument. "Commercieel gebruik" betekent ieder ander gebruik, inclusief het gebruik voor commerciële huurdoeleinden of voor het genereren van inkomen. Zodra het product voor commerciële doelen is gebruikt, zal het hierna worden beschouwd als commercieel gebruik voor doeleinden van deze garantie.

Voor directe en volledige garantiedekking wordt u verzocht uw product te registreren op de hierboven vermelde website of op [www.onlineproductregistration.com](http://www.onlineproductregistration.com), of om de ingevulde registratiekaart (indien verstrekt) per post te versturen, of ons te bellen op het nummer 1-800-743-4115 (in de VS).

Bewaar uw kwitantie als aankoopbewijs. Indien u geen bewijs van de eerste aankoopdatum kunt overleggen op het moment dat om garantieservice verzocht wordt, dan zal de fabricagedatum van het product gebruikt worden om de garantieperiode te bepalen. Om in aanmerking te komen voor garantieservice voor producten van Briggs & Stratton hoeft het product niet geregistreerd te zijn.

### OVER UW GARANTIE

De garantieservice is uitsluitend beschikbaar via de erkende servicedealers van Briggs & Stratton. De meeste garantie zal routinematig afgehandeld worden, maar soms zijn verzoeken om garantieservice niet billijk. Deze garantie geldt alleen voor materiaal- en/of fabricagefouten. Hij geldt niet voor schade die is veroorzaakt door verkeerd gebruik of misbruik, verkeerd onderhoud of reparatie, of normale slijtage.

**Verkeerd gebruik en misbruik** - Het juiste, bedoelde gebruik van dit product wordt beschreven in de gebruikershandleiding. Als u het product gebruikt op een manier die niet is beschreven in de gebruikershandleiding of als u het product gebruikt nadat het is beschadigd, vervalt uw garantie. Garantie is niet toegestaan als het serienummer op het product is verwijderd of als het product op een of andere manier is gewijzigd of aangepast, of als het product blijkt te zijn mishandeld zoals herkenbaar is aan inslag schade of beschadiging door water/chemische corrosie.

**Verkeerd onderhoud of reparatie** - Dit product moet worden onderhouden volgens de procedures en schema's in de gebruikershandleiding en voor service- en reparatiewerkzaamheden moeten originele Briggs & Stratton-onderdelen worden gebruikt. Schade die is veroorzaakt door gebrek aan onderhoud of het gebruik van niet-originele onderdelen valt niet onder de garantie.

**Normale slijtage** - Net zoals alle mechanische apparaten is ook uw apparaat onderhevig aan slijtage zelfs als het goed wordt onderhouden. Deze garantie dekt geen reparaties wanneer normaal gebruik de levensduur van een onderdeel of machine heeft uitgeput. Onderdelen die moeten worden onderhouden en aan slijtage onderhevig zijn zoals filters, riemen, snijbladen en remblokken (met uitzondering van motorremblokken) vallen niet onder de garantie als het uitsluitend om slijtagekenmerken gaat, maar wel als er sprake is van materiaal- en/of fabricagefouten.

**Andere uitsluitingen** - Deze garantie is niet van toepassing van schade als gevolg van ongelukken, misbruik, modificaties, veranderingen, onjuist onderhoud, bevroren of chemisch verval. Toevoegingen of toebehoren die oorspronkelijk niet met het product zijn meegeleverd, zijn eveneens uitgesloten. Deze garantie geldt niet voor gebruikte, gereviseerde, tweedehands aangeschafte of voor demonstraties gebruikte apparatuur of motoren. Deze garantie sluit defecten uit die te wijten zijn aan overmacht en andere niet te voorzien gebeurtenissen waarop de fabrikant geen invloed heeft.

## BRIGGS & STRATTONS GARANTIPOLICY FOR PRODUKTER

### BEGRENSET GARANTI

Briggs & Stratton garanterer at selskapet i løpet av garantiperioden som er angitt nedenfor vederlagsfritt vil reparere eller erstatte alle deler som er defekte når det gjelder materiale eller utførelse eller begge deler. Transportkostnader for et produkt som leveres inn for reparasjon eller utskifting under denne garantien må dekkes av kjøperen. Denne garantien gjelder for og er underlagt tidsperiodene og betingelsene nedenfor. For garantiservice kan du finne nærmeste autoriserte servicesenter med hjelp av forhandlerkartet på [www.BRIGGSandSTRATTON.com](http://www.BRIGGSandSTRATTON.com). Kjøperen må kontakte den autoriserte serviceforhandleren, og deretter gjøre produktet tilgjengelig for den autoriserte serviceforhandleren for inspeksjon og testing.

**Det er ingen andre uttrykte garantier. Underforståtte garantier, herunder om salgbarhet og egnethet for et bestemt formål, er begrenset til ett år fra kjøpsdato, eller til den utstrekning loven tillater. Ansvar for tilfeldige skader eller skader som konsekvens er utelukket i den grad utelukkelse er tillatt ved lov.** Noen land tillater ikke begrensninger på hvor lenge en underforstått garanti varer, og noen stater eller land tillater ikke fraskrivelse eller begrensning av tilfeldige skader eller skader som konsekvens, så det som er angitt ovenfor ang. begrensninger og utelukkelse gjelder kanskje ikke for deg. Denne garantien gir deg spesielle juridiske rettigheter, og du kan også ha andre rettigheter som varierer fra stat til stat eller land til land.\*\*

### GARANTIPERIODE

	Privat bruk	Profesjonelt bruk
Utstyr	60 måneder	Ingen
Batteri og batterilader	24 måneder	Ingen

\*\* I Australia – våre varer leveres med garantier som ikke kan utelukkes iht. Australias forbrukerlovgivning. Du har rett til erstatning eller refusjon for en større feil, og som erstatning for alle andre rimelig forutsigbare tap eller skader. Du har også rett til å få varene reparert eller erstattet dersom varene ikke er av akseptabel kvalitet og svikten ikke utgjør noen større feil. For garantiservice, finn nærmeste autoriserte forhandlerverksted på kartet over forhandlere på [BRIGGSandSTRATTON.com](http://BRIGGSandSTRATTON.com), eller ved å ringe 1300 274 447, evt. ved å sende e-post, hhv. skrive til [salesenquires@briggsandstratton.com.au](mailto:salesenquires@briggsandstratton.com.au), Briggs & Stratton Australia Pty Ltd, en Moorebank Avenue, NSW, Australia, 2170.

Garantiperioden begynner på kjøpsdatoen ved første kjøp i detaljhandel for forbrukere eller næringskunder. "Hjemmebruk" betyr personlig, husbruk av en bruker. "Forretningsmessig bruk" betyr all annen bruk, inkludert bruk for kommersielt, forretningsmessig eller utleieformål. Når et produkt har blitt brukt kommersielt, vil det deretter bli betraktet som et kommersielt brukt produkt i forhold til anvendelse av denne garantien.

For å sikre rask og fullstendig garantidekning må du registrere produktet på nettstedet som vises over eller på [www.onlineproductregistration.com](http://www.onlineproductregistration.com), eller du kan sende det utfylte registreringskortet (hvis et slikt finnes) via e-post, eller ringe 1-800-743-4115 (i USA).

Ta vare på bevis på kjøpet i form av kvittering. Hvis du ikke kan legge fram bevis på første salgsdato når garantiservice forespørres, vil produksjonsdatoen for produktet bli brukt til å bestemme garantiperioden. Produktregistrering er ikke nødvendig for å få utført garantiservice på Briggs & Strattons produkter.

### OM GARANTIEN

Garantiservice er kun tilgjengelig via Briggs & Stratton autoriserte serviceforhandlere. De fleste garantireparasjoner utføres rutinemessig, men noen ganger kan det forekomme at et garantikrav ikke er rettmessig. Denne garantien dekker kun defekter mht. materialer og utførelse. Den dekker ikke skader som skyldes feil bruk eller misbruk, feil utført vedlikehold eller reparasjon eller normal slitasje eller elde.

**Feil bruk og misbruk** – Riktig, beregnet bruk av dette produktet er beskrevet i brukerhåndboken. Bruker du produktet på en måte som ikke er beskrevet i brukerhåndboken eller bruker du produktet etter at det er blitt skadet, vil dette gjøre garantien ugyldig. Garantien gjelder ikke hvis serienummeret på produktet er blitt fjernet eller hvis produktet har blitt endret eller modifisert på noen måte, eller hvis produktet har bevis på misbruk som støtskade, eller vann-/kjemiske korrosjonsskader.

**Feil vedlikehold eller reparasjon** – Dette produktet må vedlikeholdes i samsvar med prosedyrene og tidsplanene som er angitt i brukerhåndboken, og reparasjon og service må utføres med originale Briggs & Stratton-deler eller tilsvarende. Skader forårsaket av mangel på vedlikehold eller bruk av ikke-originale deler er ikke dekket av garantien.

**Normal slitasje og elde** – Som alt mekanisk utstyr blir enheten utsatt for slitasje, selv når den vedlikeholdes som den skal. Denne garantien dekker ikke reparasjoner når normal bruk har slitt ut en del eller utstyret. Vedlikeholds- og slitasjeelementer som f.eks. filtre, reimer, knivblad og bremseklosser (unntatt motor-bremseklosser) er ikke dekket av garantien på grunn av slitasjeegenskaper alene, med mindre årsaken skyldes material- eller produksjonsfeil.

**Andre utelukkelse fra garantien** – Denne garantien utelukker skader på grunn av uhell, misbruk, modifikasjoner, endringer, feil utført service, frostskaader eller kjemisk nedbryting. Vedlegg eller tilbehør som ikke opprinnelig var pakket sammen med produktet og fulgte med i pakningen er også ekskludert. Denne garantien omfatter ikke brukt, overhald, annenhåndstyre eller demonstrasjonsutstyr eller -motorer. Denne garantien utelukker også feil på grunn av Guds andlinger og andre force majeure -hendelser utenfor produsentens kontroll.



## GWARANCJA NA PRODUKTY FIRMY BRIGGS & STRATTON

### OGRANICZONA GWARANCJA

Firma Briggs & Stratton gwarantuje, że w określonym poniżej okresie obowiązywania gwarancji dokona nieodpłatnej naprawy lub wymiany dowolnej części, w której wystąpią wady materiałowe lub produkcyjne bądź obie te wady. Koszty transportu produktu dostarczonego do naprawy lub wymiany w ramach niniejszej gwarancji ponosi nabywca. Gwarancja pozostaje w mocy przez podane poniżej okresy i podlega określonym poniżej warunkom. W celu uzyskania usługi gwarancyjnej należy wyszukać najbliższy autoryzowany punkt serwisowy na mapie autoryzowanych dealerów serwisowych, dostępnej pod adresem [www.BRIGGSandSTRATTON.com](http://www.BRIGGSandSTRATTON.com). Nabywca musi skontaktować się z autoryzowanym dealerem serwisowym, a następnie udostępnić mu produkt w celu przeprowadzenia oględzin i testów.

**Nie istnieje żadna inna wyraźna gwarancja. Gwarancje domniemane, włącznie z gwarancjami przydatności handlowej i przydatności do konkretnego celu, obowiązują jedynie w określonym poniżej okresie gwarancyjnym lub w okresie dopuszczalnym przez prawo. Odpowiedzialność za szkody uboczne lub wynikowe podlega wyłączeniu w zakresie dopuszczalnym przez prawo.** W niektórych krajach nie zezwala się na ograniczenie okresu obowiązywania gwarancji domniemanej, a ponadto w niektórych krajach nie zezwala się na wyłączenie lub ograniczenie odpowiedzialności za szkody uboczne lub wynikowe, w związku z tym powyższe ograniczenia i wyłączenia mogą nie dotyczyć niektórych nabywców. Niniejsza gwarancja zapewnia nabywcy określone ustawowe prawa. Nabywcy mogą również przysługiwać inne prawa, które mogą być różne w zależności od kraju.\*\*

### OKRES GWARANCYJNY

	Zastosowanie konsumenckie	Zastosowanie komercyjne
Urządzenie	60 miesiące	Brak
Bateria i ładowarka	24 miesiące	Brak

\*\* W Australii nasze produkty są objęte gwarancjami, które — zgodnie z Australijskim Prawem Konsumenckim — nie mogą zostać wyłączone. W przypadku poważnej awarii nabywca ma prawo do wymiany urządzenia na nowe lub do zwrotu pieniędzy, zaś w przypadku innych, przewidywalnych w granicach rozsądku strat lub uszkodzeń — do rekompensaty. Nabywca ma również prawo do naprawy lub wymiany produktu, jeśli jego jakość jest nie do przyjęcia, zaś awaria nie kwalifikuje się jako poważna. W celu uzyskania usługi gwarancyjnej należy wyszukać najbliższy autoryzowany punkt serwisowy na mapie autoryzowanych dealerów serwisowych dostępnej w witrynie [BRIGGSandSTRATTON.COM](http://BRIGGSandSTRATTON.COM), zadzwonić pod numer 1300 274 447 bądź przesłać pocztą elektroniczną lub zwykłą wiadomością na adres [salesenquires@briggsandstratton.com.au](mailto:salesenquires@briggsandstratton.com.au) lub Briggs & Stratton Australia Pty Ltd, 1 Moorebank Avenue, NSW, Australia, 2170.

Okres obowiązywania gwarancji liczony jest od daty zakupu dokonanego przez pierwszego nabywcę detalicznego lub komercyjnego. Określenie „zastosowanie konsumenckie” oznacza użytkowanie we własnym gospodarstwie domowym przez konsumenta detalicznego. Określenie „zastosowanie komercyjne” odnosi się do wszystkich innych sposobów użytkowania, w tym do celów komercyjnych, zarobkowych i pod wynajem. Wykorzystanie produktu do celów komercyjnych powoduje, że dla celów niniejszej gwarancji będzie odtąd uważany za produkt o zastosowaniu komercyjnym.

Aby zapewnić sobie bezzwrotne korzystanie z pełnego zakresu usług gwarancyjnych, należy zarejestrować posiadany produkt w podanej wyżej witrynie internetowej lub pod adresem [www.onlineproductregistration.com](http://www.onlineproductregistration.com), ewentualnie przesłać wypełnioną kratę rejestracyjną (jeśli została dostarczona), bądź zadzwonić pod numer 1-800-743-4115 (w USA).

Zachować dowód zakupu. Jeśli w chwili zgłoszenia zapotrzebowania na gwarancyjną usługę serwisową nabywca nie dostarczy dowodu zakupu potwierdzającego datę pierwszej sprzedaży, do ustalenia ważności okresu gwarancyjnego zostanie użyta data produkcji wyrobu. Rejestracja produktu nie jest wymagana w celu uzyskania gwarancyjnej usługi serwisowej dotyczącej produktów firmy Briggs & Stratton.

### INFORMACJE O GWARANCJI

Gwarancyjne usługi serwisowe dostępne są wyłącznie za pośrednictwem autoryzowanych dealerów serwisowych firmy Briggs & Stratton. Większość napraw gwarancyjnych jest realizowana rutynowo, jednak czasem zgłoszenie zapotrzebowania na gwarancyjną usługę serwisową może być nieuzasadnione. Niniejsza gwarancja obejmuje wyłącznie wady materiałowe lub produkcyjne. Gwarancja nie obejmuje uszkodzeń spowodowanych niewłaściwym lub niezgodnym z przeznaczeniem użytkowaniem, niewłaściwym przeprowadzaniem konserwacji lub napraw bądź normalnym zużyciem eksploatacyjnym.

**Niewłaściwe lub niezgodne z przeznaczeniem użytkowanie** — Prawidłowe, zgodne z przeznaczeniem użytkowanie niniejszego produktu opisano w instrukcji obsługi. Użytkowanie produktu w sposób inny niż opisany w instrukcji obsługi lub użytkowanie produktu uszkodzonego powoduje unieważnienie gwarancji. Gwarancja zostanie również unieważniona w przypadku usunięcia umieszczonego na produkcie numeru seryjnego lub jeśli produkt zostanie w jakikolwiek sposób przerobiony bądź zmodyfikowany, a także jeśli produkt nosi ślady uszkodzenia powstałego w wyniku uderzenia lub ślady korozji spowodowanej działaniem wody lub substancji chemicznych.

**Niewłaściwie przeprowadzana konserwacja lub naprawa** — Konserwacja niniejszego produktu musi być przeprowadzana zgodnie z harmonogramem i procedurami podanymi w instrukcji obsługi, zaś obsługa serwisowa i naprawy muszą być wykonywane z użyciem oryginalnych części firmy Briggs & Stratton lub ich odpowiedników. Gwarancja nie obejmuje uszkodzeń powstałych w wyniku braku konserwacji lub używania nieoryginalnych części.

**Normalne zużycie eksploatacyjne** — Tak jak większość urządzeń mechanicznych, niniejsze urządzenie podlega zużyciu nawet w przypadku właściwej konserwacji. W przypadku normalnego zużycia się części lub urządzenia naprawa nie jest objęta gwarancją. Gwarancja nie obejmuje elementów podlegających wyeksploatowaniu i zużyciu, takich jak filtry, paski, ostrza tnące i klocki hamulcowe (z wyjątkiem klocków hamulcowych silnika), jeśli ulegną one wyłącznie naturalnemu zużyciu, chyba że przyczyną zużycia są wady materiałowe lub wady produkcyjne.

**Pozostałe wyłączenia gwarancyjne** — Niniejsza gwarancja nie obejmuje uszkodzeń będących wynikiem wypadku, nieprawidłowego użytkowania, modyfikacji, przeróbek, niewłaściwej obsługi serwisowej, zamarznięcia lub uszkodzenia chemicznego. Gwarancją nie są również objęte elementy lub akcesoria, które nie znajdowały się w oryginalnym opakowaniu produktu. Niniejsza gwarancja nie obejmuje używanego, regenerowanego lub demonstracyjnego sprzętu bądź silników. Niniejsza gwarancja nie obejmuje także awarii będących wynikiem zdarzeń losowych i działaniem sił wyższych niezależnych od producenta.

## POLÍTICA DE GARANTIA DE PRODUTOS DA BRIGGS & STRATTON

### GARANTIA LIMITADA

A Briggs & Stratton assegura que, durante o período de garantia abaixo especificado, irá reparar ou substituir, sem qualquer encargo, qualquer peça com defeitos de material, de mão-de-obra ou ambos. Os encargos relativos ao transporte dos produtos sujeitos a reparação ou substituição ao abrigo desta garantia devem ser suportados pelo comprador. Esta garantia é válida pelos, e está sujeita aos, períodos de tempo e às condições abaixo apresentadas. Para aceder ao serviço de garantia, contacte o revendedor autorizado mais próximo indicado no nosso mapa de localização de revendedores em [www.BRIGGSandSTRATTON.com](http://www.BRIGGSandSTRATTON.com). O comprador deve contactar o revendedor autorizado e, em seguida, disponibilizar o produto ao revendedor autorizado para realização da inspeção e testes.

**Não existe qualquer outra garantia expressa. Garantias implicadas, incluindo as referentes à comercialização e manutenção com um objectivo em particular, estão limitadas a um ano a contar do momento da aquisição, ou ao que é permitido por lei. Exclui-se a responsabilidade por danos incidentais ou consequenciais de acordo com o permitido por lei.** Alguns estados ou países não permitem limitações quanto à duração de uma garantia implícita e alguns estados e países não permitem a exclusão ou limitação de danos incidentais ou consequenciais, por isso a limitação e exclusão acima podem não se aplicar ao seu caso. Esta garantia fornece-lhe direitos legais específicos e pode também ter outros direitos que variam de estado para estado ou de país para país.\*\*

### PERÍODO DE GARANTIA

Item	Utilização pelo consumidor	Utilização comercial
Equipamento	60 mês	Nenhum
Bateria e carregador de bateria	24 mês	Nenhum

\*\* Na Austrália - Os nossos produtos possuem garantias que não podem ser excluídas ao abrigo da lei australiana relativa aos direitos do consumidor. O consumidor terá direito a substituição ou reembolso, em caso de avaria grave, e a compensação por qualquer outra perda ou dano razoavelmente previsíveis. O consumidor terá ainda direito à reparação ou substituição dos produtos se a qualidade dos mesmos não for aceitável e se a avaria em questão não der origem a uma avaria grave. Para aceder ao serviço de garantia, contacte o revendedor autorizado mais próximo indicado no nosso mapa de localização de revendedores em [BRIGGSandSTRATTON.COM](http://BRIGGSandSTRATTON.COM), efectue um telefonema para o número 1300 274 447, envie um e-mail para [salesenquires@briggsandstratton.com.au](mailto:salesenquires@briggsandstratton.com.au) ou escreva para Briggs & Stratton Australia Pty Ltd, 1 Moorebank Avenue, NSW, Austrália, 2170.

O período da garantia começa a partir da data da aquisição efectuada pelo primeiro revendedor ou consumidor final. "Utilização pelo consumidor" significa utilização doméstica privada por um consumidor final. "Utilização comercial" significa todas as outras utilizações, incluindo a utilização para fins comerciais, de criação de receitas ou aluguer. No âmbito desta garantia, após a utilização de um produto para fins comerciais, este será considerado um produto para utilização comercial.

De modo a garantir uma cobertura completa e abrangente, registre o produto no web site mencionado acima ou em [www.onlineproductregistration.com](http://www.onlineproductregistration.com), ou envie um e-mail com o cartão de registo completo (se fornecido), ou ligue para 1-800-743-4115 (nos EUA).

Guarde o comprovativo de compra. Caso não seja possível comprovar a data de aquisição inicial quando solicitar o serviço de garantia, a data de fabrico do produto será utilizada para determinar o período de garantia. Não é necessário o registo do produto para obter o serviço de garantia dos produtos da Briggs & Stratton.

### SOBRE A SUA GARANTIA

O serviço de garantia está apenas disponível através dos revendedores autorizados da Briggs & Stratton. A maioria das reparações ao abrigo da garantia é resolvida de forma regular, mas, por vezes, os pedidos de serviço de garantia poderão não ser adequados. Esta garantia apenas abrange os defeitos de material ou de mão-de-obra. Não cobre os danos causados devido à utilização incorrecta ou abusiva, manutenção ou reparações incorrectas ou desgaste normal.

**Utilização incorrecta ou abusiva** - A utilização adequada e pretendida deste produto está descrita no Manual do Utilizador. A utilização do produto de forma não especificada no Manual do Operador ou a utilização do produto após a ocorrência de danos irá invalidar a sua garantia. A garantia não é permitida se o número de série do produto tiver sido removido ou se o produto tiver sido alterado ou modificado de qualquer forma, ou se o produto tiver evidências de abuso, tais como danos de choque ou danos de corrosão por água/química.

**Manutenção ou reparações incorrectas** - Este produto deve ser mantido de acordo com os procedimentos e programação fornecidos no Manual do Utilizador e a assistência técnica e reparação devem ser efectuadas utilizando peças Briggs & Stratton genuínas. Danos causados por falta de manutenção ou pela utilização de peças não originais não estão cobertos pela garantia.

**Desgaste normal** - Como a maior parte dos dispositivos mecânicos, a sua unidade está sujeita a desgaste mesmo se for mantida correctamente. Esta garantia não abrange as reparações resultantes do fim da vida útil de uma peça ou equipamento devido a desgaste normal. Itens de manutenção e de utilização como filtros, correias, lâminas cortantes e calços de travão (os calços de travão do motor estão cobertos) não são cobertos pela garantia devido apenas a características de desgaste, a menos que a causa seja devida a defeitos no material ou esteja relacionada com mão-de-obra.

**Outras Exclusões** - Esta garantia exclui os danos provocados por acidente, abusos, modificações, alterações, manutenção incorrecta, congelamento ou deterioração química. Estão também excluídos os anexos ou acessórios que não foram originalmente embalados com o produto. Esta garantia não inclui a utilização, o recondicionamento, em segunda mão ou a demonstração de equipamentos ou motores. Esta garantia exclui falhas por desastres naturais e outros motivos de causa maior que ultrapassam o controlo do fabricante.

## POLITICA DE GARANȚIE PENTRU PRODUSELE BRIGGS & STRATTON

### GARANȚIE LIMITATĂ

Briggs & Stratton garantează că, în perioada de garanție specificată mai jos, va repara sau va înlocui în mod gratuit orice componente cu defecte de material, de manoperă sau ambele. Cheltuielile de transport pentru piesele trimise pentru a fi reparate sau înlocuite sub această garanție trebuie suportate de către cumpărător. Această garanție este valabilă pentru perioadele de timp și în condițiile menționate mai jos. Pentru servicii de garanție, localizați cel mai apropiat dealerul autorizat pentru servicii de pe harta geografică la adresa [www.BRIGGSandSTRATTON.com](http://www.BRIGGSandSTRATTON.com). Cumpărătorul trebuie să contacteze dealerul autorizat pentru servicii și trebuie să îi pună acestuia la dispoziție produsul pentru inspecție și testare.

**Nu există alte garanții explicite. Garanțiile implicite, inclusiv cele de vandabilitate sau potrivire unui scop predefinit sunt limitate la perioada de garanție dată mai jos sau în limita permisă de lege. În limitele permise de lege, producătorul este exonerat de orice răspundere în ceea ce privește daunele incidentale și conexe care nu fac obiectul garanțiilor.** Este posibil ca această prevedere să nu fie valabilă pentru dvs., deoarece legile privitoare la garanția acordată pentru aceste daune sunt diferite în țări și în state diferite. Această garanție vă acordă drepturi legale specifice, precum și alte drepturi care diferă de la stat la stat sau țară la țară.\*\*

### PERIOADA DE GARANȚIE

	Uz Personal	Uz Comercial
Echipament	60 luni	Nu
Acumulator și încărcător de baterie	24 luni	Nu

\*\* În Australia - Mărfurile noastre sunt însoțite de garanții care nu pot fi excluse prin legea consumatorului din Australia. Aveți dreptul la înlocuire sau rambursări în cazul unei defecțiuni majore și la compensări în cazul oricărui altor pierderi sau daune previzibile în mod rezonabil. De asemenea, aveți dreptul la reparații sau înlocuiri ale produselor dacă acestea nu sunt de calitate acceptabilă și dacă defecțiunea nu este una majoră. Pentru a beneficia de servicii conform garanției, localizați cel mai apropiat dealer autorizat pentru servicii folosind aplicația de pe [BRIGGSandSTRATTON.COM](http://BRIGGSandSTRATTON.COM), apelând 1300 274 447 sau contactându-ne prin e-mail ori în scris la [salesenquires@briggsandstratton.com.au](mailto:salesenquires@briggsandstratton.com.au), Briggs & Stratton Australia Pty Ltd, 1 Moorebank Avenue, NSW, Australia, 2170.

Perioada de garanție începe la data cumpărării de către primul cumpărător cu amănuntul sau comercial. Prin "uz personal" se înțelege folosirea acestui produs în gospodărie de către primul său cumpărător cu amănuntul. Prin "uz comercial" se înțelege orice altă utilizare, inclusiv comercială, activitate aducătoare de venituri sau închirieri. După ce produsul a fost supus utilizării comerciale, va intra sub incidența termenilor pentru utilizare comercială ai acestei garanții.

Pentru asigurarea unei acoperiri prompte și complete a garanției, înregistrați-vă produsul pe site-ul de mai sus sau la [www.onlineproductregistration.com](http://www.onlineproductregistration.com), trimiteți prin poștă cardul de înregistrare completat (dacă există) sau apelați 1-800-743-4115 (în USA).

Păstrați chitanța. Dacă nu prezentați dovada datei de cumpărare în momentul în care solicitați servicii de garanție, pentru a determina eligibilitatea la garanție va fi folosită data fabricării. Înregistrarea produsului nu este obligatorie pentru obținerea serviciilor de garanție la produsele Briggs & Stratton.

### DESPRE GARANȚIE

Serviciul de garanție este disponibil numai prin dealerii autorizați pentru servicii Briggs & Stratton. Cele mai multe din acestea sunt operații de rutină dar, în unele situații garanția nu acoperă reparațiile care se impun. Garanția de față acoperă numai defectele de materiale sau de manoperă. Nu sunt acoperite deteriorările provocate de utilizare necorespunzătoare sau abuzivă, întreținere sau reparații neadecvate sau uzură tehnică și morală.

**Utilizare necorespunzătoare sau abuzivă** - Utilizarea corespunzătoare și aplicată a produsului este descrisă în manualul de utilizare. Utilizarea produsului altfel decât descris în manualul de utilizare sau utilizarea acestuia după ce a fost deteriorat va anula garanția. Garanția nu este valabilă dacă numărul de serie de pe produs a fost îndepărtat, dacă produsul a fost modificat în orice fel sau dacă are urme evidente de abuz, cum ar fi deteriorări din cauza impactului sau din cauza coroziunii provocate de apă ori substanțe chimice.

**Întreținere și reparații neadecvate** - Produsul se va întreține conform procedurilor și planificărilor date în manualul de utilizare, va fi dat în servicii și reparat numai cu piese originale Briggs & Stratton sau echivalent. Deteriorările cauzate de lipsa de întreținere sau de utilizarea unor piese de schimb neoriginale nu sunt acoperite de garanție.

**Uzură tehnică și morală** - La fel ca la majoritatea dispozitivelor mecanice și cel pe care îl dețineți este supus uzurii chiar și în cazul când este întreținut corespunzător. Această garanție nu acoperă reparațiile în cazul în care componenta sau echipamentul au fost distruse în urma uzurii normale. Produsele de întreținere și consumabilele precum filtrele, curelele, lamele de tăiat și plăcuțele de frână (cu excepția plăcuțelor de frână de la motor) nu sunt acoperite de garanție dacă prezintă uzură de folosire, cu excepția cazului în care uzura este cauzată de defecte de material sau de manoperă.

**Alte excluderi** - Garanția de față exclude deteriorările provocate de accident, abuz, modificări, schimbări, utilizare neadecvată, deteriorări chimice sau datorate înghețului. De asemenea, sunt excluse atașamentele sau accesoriile care nu au fost ambalate inițial împreună cu produsul. Garanția de față nu include echipamente și motoare uzate, recondiționate, second-hand sau demonstrative. Această garanție exclude defecțiunile datorate cazurilor fortuite și altor forțe majore care nu pot fi controlate de producători.

## ГАРАНТИЙНЫЕ ОБЯЗАТЕЛЬСТВА НА ПРОДУКЦИЮ КОМПАНИИ BRIGGS & STRATTON

### ОГРАНИЧЕННАЯ ГАРАНТИЯ

Компания Briggs & Stratton гарантирует выполнение в указанный ниже гарантийный период бесплатного ремонта или замены любых деталей с дефектом материала и/или производственным браком. Транспортные расходы на доставку изделий для ремонта или замены по настоящей гарантии несет покупатель. Гарантия действительна для указанных ниже сроков и условий. Для получения гарантийного обслуживания необходимо найти ближайшего официального дилера сервисных услуг компании с помощью средства поиска дилеров на веб-сайте [www.BRIGGSandSTRATTON.com](http://www.BRIGGSandSTRATTON.com). Покупатель должен связаться с официальным сервисным дилером и предоставить дилеру изделие для осмотра и проверки.

**Не существует иных прямых гарантий. Подразумеваемые гарантии, включая гарантии пригодности для торговли и соответствия конкретному применению, ограничиваются сроком один год со дня покупки или рамками, установленными законом. Ответственность за случайный или косвенный ущерб исключается в разрешенном законом объеме.** В некоторых штатах или странах не разрешается ограничивать срок действия подразумеваемых гарантий, а некоторые штаты или страны не разрешают исключать либо ограничивать побочный или косвенный ущерб, поэтому вышеуказанные ограничения и исключения могут быть к вам неприменимы. Гарантия предоставляет вам определенные юридические права в дополнение к другим правам, которые могут быть отличаться в разных штатах и странах.\*\*

### ГАРАНТИЙНЫЙ ПЕРИОД

	Личное использование	Коммерческое использование
Urządzenie	60 месяцев	Нет
аккумулятор и зарядное устройство	24 месяца	Нет

\*\* Для Австралии – наши изделия обеспечиваются гарантиями, которые не могут быть исключены согласно закону Австралии о защите прав потребителей. Вы имеете право на замену изделия или на возврат уплаченной за него суммы в случае серьезной неисправности, а также на компенсацию за прочие обоснованно прогнозируемые потери и убытки. Кроме того, вы имеете право на ремонт изделий или их замену в случае, если их качество неприемлемо, а неисправность является незначительной. Для проведения гарантийного обслуживания можно найти ближайшего официального сервисного дилера с помощью нашего инструмента поиска дилеров на веб-сайте [BRIGGSandSTRATTON.com](http://BRIGGSandSTRATTON.com), позвонить по телефону 1300 274 447, отправить электронное письмо на адрес [salesenquires@briggsandstratton.com.au](mailto:salesenquires@briggsandstratton.com.au) или написать на адрес Briggs & Stratton Australia Pty Ltd, 1 Moorebank Avenue, NSW, Australia, 2170.

Гарантийный срок начинается с даты приобретения первым розничным потребителем или конечным коммерческим пользователем. «Личное использование» означает индивидуальное использование устройства в быту розничным покупателем. «Коммерческое использование» означает все иные варианты использования, включая использование для коммерческих целей, извлечения дохода или сдачи в аренду. После использования в коммерческих целях изделие переходит в категорию «коммерческого использования» по настоящей гарантии.

Для осуществления быстрого и полного гарантийного обслуживания зарегистрируйте продукт на указанном выше веб-сайте или на веб-сайте [www.onlineregistration.com](http://www.onlineregistration.com), либо отправьте заполненную регистрационную карточку (если прилагается) или позвоните по телефону 1-800-743-4115 (в США).

Сохраните свою квитанцию, подтверждающую покупку. Если при запросе на гарантийное обслуживание не будет предоставлен документ, подтверждающий дату первой покупки, то для определения гарантийного периода будет использована дата изготовления изделия. Для осуществления гарантийного обслуживания продукции Briggs & Stratton регистрация продукта не требуется.

### О ВАШЕЙ ГАРАНТИИ

Гарантийное обслуживание осуществляется только официальными сервисными дилерами компании Briggs & Stratton. Большинство гарантийных ремонтов выполняются в обычном порядке, но иногда заявки на гарантийное обслуживание могут быть необоснованными. Данная гарантия покрывает только дефекты материала или производственный брак. Гарантия не распространяется на повреждения, вызванные неправильной эксплуатацией или нарушением правил и норм эксплуатации, неправильным техническим обслуживанием или ремонтом, либо нормальным износом.

**Неправильная эксплуатация и нарушение правил и норм эксплуатации** – Правильная эксплуатация данного изделия по назначению описана в руководстве по эксплуатации. Эксплуатация данного изделия способом, не описанным в руководстве по эксплуатации, а также эксплуатация после повреждения изделия влечет за собой отмену гарантийных обязательств. Гарантия также не предоставляется в случае, если на изделии удален серийный номер, есть какие-либо изменения или модификации, либо заметны нарушения норм эксплуатации, например, повреждения от ударов или коррозии, вызванная водой или химическими веществами.

**Неправильное техническое обслуживание или ремонт** – техническое обслуживание изделия следует проводить в соответствии с приведенными в руководстве по эксплуатации порядком и регламентом и использовать при обслуживании и ремонте только оригинальные запасные части Briggs & Stratton или их аналоги. Гарантия не распространяется на повреждения, возникшие в результате использования неоригинальных запчастей.

**Нормальный износ** – как и любое механическое устройство, ваше изделие подвержено износу даже при надлежащем техническом обслуживании. Гарантия не покрывает ремонт, если при нормальной эксплуатации истекает срок службы детали или всего изделия. Гарантия не распространяется на сменные и подверженные износу детали, например, фильтры, ремни, режущие пластины, тормозные накладки (кроме тормозных накладок двигателя) с признаками износа, если только повреждение не вызвано дефектом материала или производственным браком.

**Прочие исключения** – гарантийное обязательство не распространяется на поломки, вызванные аварией, ненадлежащей эксплуатацией, модификациями, изменениями конструкции, ненадлежащим техническим обслуживанием, замораживанием или вредным воздействием химикатов. Из гарантии также исключаются оснастка и принадлежности, не входившие в первоначальный комплект поставки изделия. Гарантийное обязательство не распространяется на использованное, отремонтированное, бывшее в употреблении или демонстрационное оборудование или двигатели. Гарантийное обязательство также не распространяется на поломки, вызванные стихийными бедствиями и другими форс-мажорными обстоятельствами непреодолимой силы.

## PRAVIDLÁ ZÁRUKY NA PRODUKTY SPOLOČNOSTI BRIGGS & STRATTON

### OBMEDZENÁ ZÁRUKA

Spoločnosť Briggs & Stratton zaručuje, že počas záručnej doby uvedenej nižšie bezplatne opraví alebo vymení akúkoľvek súčiastku, ktorá je chybná z dôvodu chyby materiálu, výroby alebo oboch dôvodov. Prepravné náklady výrobku predloženého na opravu, alebo výmenu, podľa tejto záruky, musí niesť kupujúci. Táto záruka platí počas doby a za podmienok stanovených nižšie. Ak potrebujete vykonať záručný servis, vyhľadajte najbližšieho autorizovaného servisného predajcu pomocou našej mapy na vyhľadávanie predajcov na adrese [www.BRIGGSandSTRATTON.com](http://www.BRIGGSandSTRATTON.com). Kupujúci sa musí obrátiť na autorizovaného servisného predajcu a poskytnúť mu produkt na kontrolu a testovanie.

**Neexistuje žiadna iná výslovná záruka. Implikované záruky, vrátane záruk predajnosti a vhodnosti pre konkrétny účel, sú obmedzené na jeden rok od kúpy, alebo v rozsahu povolenom zákonom a všetky implikované záruky sú vylúčené. Zodpovednosť za neúmyselné škody a následné škody sú vylúčené v rozsahu v akom je vylúčenie povolené zákonom.** Niektoré štáty, alebo krajiny, neumožňujú obmedzenia doby platnosti implikovanej záruky a niektoré štáty a krajiny neumožňujú vylúčenie, alebo obmedzenie neúmyselných, alebo následných škôd, takže vyššie uvedené obmedzenie a vylúčenie pre vás nemusí platiť. Táto záruka vám poskytuje špecifické legislatívne ustanovené práve a taktiež môžete mať iné práva, ktoré môžu byť v každom štáte alebo krajine rozdielne.\*\*

### ZÁRUČNÁ DOBA

	Spotrebiteľské použitie	Obchodné použitie
Zariadenie	60 mesiace	Žiadne
Nabíjačka a batérie	24 mesiace	Žiadne

\*\* V Austrálii – Náš tovar sa dodáva so zárukami, ktoré nemôžu byť vylúčené podľa austrálskeho práva na ochranu spotrebiteľov. Máte nárok na výmenu alebo vrátenie peňazí v prípade závažnej poruchy a na náhradu primerane predvídateľných strát alebo škôd. Tiež máte nárok na opravu alebo výmenu tovaru, ak opravený alebo vymenený tovar nedosahuje prijateľnú kvalitu, aj ak porucha takéhoto tovaru nepredstavuje zásadnú poruchu. Ak potrebujete vykonať záručný servis, vyhľadajte najbližšieho autorizovaného servisného predajcu pomocou našej mapy na vyhľadávanie predajcov na adrese [vložiť adresu webovej lokality], zavolajte na číslo 1300 274 447, pošlite e-mail na adresu [salesenquires@briggsandstratton.com.au](mailto:salesenquires@briggsandstratton.com.au) alebo list na adresu Briggs & Stratton Australia Pty Ltd, 1 Moorebank Avenue, NSW, Australia, 2170.

Záručná doba začína plynúť odo dňa zakúpenia prvým maloobchodným alebo komerčným zákazníkom. „Spotrebiteľské používanie“ znamená používanie maloobchodným spotrebiteľom v rámci osobného, domáceho použitia. „Komerčné používanie“ znamená všetky ostatné použitia, vrátane používania pre komerčné účely, zárobkovú činnosť alebo pre účely prenajímania. Ak sa výrobok začne používať na komerčné účely, bude v prípade tejto záruky považovaný za výrobok používaný komerčne.

Abyste zabezpečili rýchle a kompletne záručné pokrytie, zaregistrujte svoj produkt na vyššie uvedenej webovej stránke alebo na [www.onlineproductregistration.com](http://www.onlineproductregistration.com), alebo poštou zašlite vyplnenú registračnú kartu (ak je k dispozícii), alebo volajte 1-800-743-4115 (v USA).

Uschovajte si doklad o nákupe. Ak pri reklamácií nepredložíte bloček s dátumom nákupu, tak na určenie záručnej doby bude použitý dátum výroby výrobku. Registrácia produktu nie je povinná pre získanie záručného servisu na výrobky od spoločnosti Briggs & Stratton.

### O VAŠEJ ZÁRUKE

Záručný servis je k dispozícii len prostredníctvom autorizovaných servisných predajcov produktov značky Briggs & Stratton. Väčšina záručných opráv je zvládnutá rutinným spôsobom, ale niekedy reklamácie môžu byť neopodstatnené. Táto záruka sa vzťahuje jedine na materiálové a výrobné chyby. Nevzťahuje sa na poškodenia spôsobené nesprávnym používaním alebo zlým zaobchádzaním s výrobkom, nesprávnou údržbou alebo neprávny vykonaním opravy, alebo bežným opotrebovaním.

**Nesprávne používanie a zle zaobchádzanie** – Správne, určené použitie tohto výrobku je popísané v návode na obsluhu. Používanie výrobku spôsobom, ktorý nie je popísaný v návode na obsluhu alebo používanie výrobku po tom, ako došlo k jeho poškodeniu spôsobí okamžité ukončenie platnosti záruky. Uplatnenie záruky nie je dovolené pokiaľ došlo k odstráneniu sériového čísla z výrobku alebo pokiaľ bol výrobok upravovaný alebo pozmeňovaný akýmkoľvek spôsobom, pokiaľ je v prípade výrobku zrejme zlé zaobchádzanie, ako je napríklad poškodenie v dôsledku nárazu, alebo pokiaľ je zrejme poškodenie v dôsledku korózie spôsobenej vodou/chemikáliami.

**Nesprávne vykonávanie údržby alebo opravy** – Údržba tohto výrobku sa musí vykonávať podľa postupov a harmonogramov uvedených v návode na obsluhu, pričom servis a opravy sa musia vykonávať pomocou originálnych dielov značky Briggs & Stratton alebo ekvivalentných dielov. Na poškodenia spôsobené nedostatočnou údržbou alebo používaním neoriginálnych dielov sa záruka nevzťahuje.

**Bežné opotrebovanie** – Podobne ako u všetkých mechanických zariadení aj vaša jednotka podlieha bežnému opotrebovaniu, a to aj v prípade správnej údržby. Táto záruka sa nevzťahuje na opravy v prípade, ak bežné používanie skrátilo životnosť výrobku alebo súčiastky zariadenia. Na vykonávanie údržby položiek podliehajúcich opotrebovaniu, ako sú filtre, remene, sečné čepele a brzdové obloženie (aj brzdové obloženie motora), sa nevzťahuje záruka, a to vzhľadom k samotným charakteristikám opotrebovania, pokiaľ ich príčinou nie je materiálová alebo výrobná chyba.

**Ďalšie výnimky** – Táto záruka sa nevzťahuje na poškodenie v dôsledku nehody, zlého zaobchádzania, úpravy, zmeny, nesprávnej údržby, zamrznutia alebo chemického poškodenia. Zo záruky sú tiež vylúčené prídavné zariadenia a príslušenstvo, ktoré neboli pôvodne súčasťou balenia výrobku. Táto záruka nezahŕňa zariadenie alebo motory, ktoré sú použité, repasované, z druhej ruky, alebo predvádzacie. Táto záruka vylučuje poškodenia spôsobené božou mocou a inými vyššími mocami, ktoré výrobca nedokáže ovládať.

## PRAVILA GLEDE GARANCIJE ZA IZDELKE BRIGGS & STRATTON

### OMEJENA GARANCIJA

Podjetje Briggs & Stratton jamči, da bo med spodaj navedenim garancijskim obdobjem, brez dodatnih stroškov popravilo ali zamenjalo kateri koli del, na katerem se je pojavila okvara zaradi materiala ali izdelave ali oboje. Stroške za transport izdelkov, ki so bili posredovani v popravilo ali zamenjavo pod to garancijo, mora nositi kupec. Ta garancija velja za obdobje in v skladu s pogoji navedenimi spodaj. Za garancijski servis poiščite najbližjega pooblaščenega ponudnika servisnih storitev na našem zemljevidu ponudnikov na naslovu [www.BRIGGSandSTRATTON.com](http://www.BRIGGSandSTRATTON.com). Kupec mora stopiti v stik s pooblaščenim prodajalcem in izdelek le-temu posredovati za pregled in testiranje.

**Dругih izrecnih garancij ni. Nakazane garancije, vključno z garancijami prodajljivosti in ustreznosti za določen namen, so omejene na spodaj navedeno garancijsko dobo ali na zakonsko dovoljeno obdobje. Odgovornost za naključno ali posledično škodo je izključena do meje, ki jo dovoljuje zakon**

Nekatere države ne dovoljujejo omejitve trajanja nakazane garancije, druge pa ne dovoljujejo omejitve ali izključitve naključnih in konsekvencnih - posledičnih poškodb, zato ni nujno, da se zgoraj omenjene omejitve in izključitve nanašajo na vas. Ta garancija vam zagotavlja posebne zakonske pravice, poleg tega pa lahko imate tudi druge pravice, ki se razlikujejo od države do države.\*\*

### GARANCIJSKO OBDOBJE

	Uporaba s strani kupca	Komercialna uporaba
Oprema	60 mesece	Brez
Baterije in polnilce baterij	24 mesece	Brez

\*\* V Avstraliji - Za naše izdelke velja garancija, ki je ni mogoče izključiti po avstralskem pravu varstva potrošnikov. Upravičeni ste do menjave ali vračila denarja za veliko okvaro ali do kompenzacije iz kakšne druge predvidene izgube ali škode. Prav tako ste upravičeni do popravila ali menjave blaga, če le-to ni sprejemljive kakovosti ali okvara ne predstavlja velike okvare. Za servis v okviru garancije poiščite najbližjega pooblaščenega prodajalca na našem zemljevidu za iskanje trgovca na [vstaviti naslov spletne strani], ali pokličite 1300 274 447, ali nam pošljite elektronsko pošto na naslov [salesenquires@briggsandstratton.com.au](mailto:salesenquires@briggsandstratton.com.au), Briggs & Stratton Australia Pty Ltd, 1 Moorebank Avenue, NSW, Australia, 2170.

Garancijska doba začne veljati z datumom nakupa prve trgovine ali poslovnega potrošnika. „Potrošniška uporaba“ pomeni osebno domačo rabo maloprodajnega potrošnika. „Gospodarska uporaba“ pomeni vse druge uporabe, vključno z uporabo v komercialne, pridobitne ali posojilne namene. Ko se izdelek prične uporabljati v komercialne namene se zatem upošteva kot komercialno uporabljen izdelek za namene te garancije.

Za zagotavljanje takojšnjega in popolnega garancijskega kritja izdelek registrirajte na zgoraj navedeni spletni strani ali na spletni strani [www.onlineproductregistration.com](http://www.onlineproductregistration.com) oziroma pošljite izpolnjeno registracijsko kartico (če je priložena) ali pokličite 1-800-743-4115 (v ZDA).

Shranite račun kot dokaz nakupa. Če tedaj, ko potrebujete garancijsko storitev, ne predložite dokazila o datumu prvotnega nakupa, se bo za določanje garancijske dobe uporabil datum proizvodnje izdelka. Za pridobitev garancijskega servisa za izdelke Briggs & Stratton registracija izdelka ni zahtevana.

### PODATKI O GARANCIJI

Garancijski servis je na voljo samo pri pooblaščenih ponudnikih servisnih storitev Briggs & Stratton. Večino popravil v garancijskem roku se izvede rutinsko, včasih pa so zahtevki za servisiranje v garanciji neupravičeni. Ta garancija pokriva le okvare v sestavi in/ali izdelavi. Garancija ne pokriva poškodb zaradi nepravilne uporabe ali zlorabe, nepravilnega vzdrževanja ali popravila in običajne obrabe.

**Nepravilna uporaba in zloraba** - Pravilna in predvidena uporaba tega izdelka je opisana v Uporabniškem priročniku. Uporaba izdelka na način, ki ni opisan v Uporabniškem priročniku ali uporaba po tem, ko je bil izdelek že poškodovan, bo izničila veljavnost vaše garancije. Uveljavljanje garancije ni mogoče, če je bila serijska številka izdelka odstranjena ali če je bil izdelek kakorkoli spremenjen ali modificiran, ali če so na izdelku vidni dokazi zlorabe, kot so poškodbe zaradi udarcev ali korozija zaradi uporabe vode/kemikalij.

**Nepravilno vzdrževanje ali popravilo** - Ta izdelek je treba vzdrževati na podlagi postopkov in časovnih razporedov, navedenih v Uporabniškem priročniku, pri servisiranju in popravilu pa je treba uporabiti originalne dele Briggs & Stratton ali njim enakovredne dele. Škode, ki se pojavi zaradi neizvajanja vzdrževanja ali uporabe neoriginalnih delov, ta garancija ne krije.

**Običajna obraba** - Kot večina mehanskih naprav se bo tudi vaša enota obrabila, čeprav je ustrezno vzdrževana. Ta garancija ne pokriva popravila, če se je ob normalni uporabi iztrošil posamezen del ali naprava. Vzdrževanja in obrabnih delov, kot so na primer filtri, jermeni, rezila ali zavorne ploščice (razen zavornih ploščic motorja) garancija ne krije zaradi značilnosti obrabe, razen če gre za okvaro zaradi materiala ali izdelave.

**Druge izključitve** - Ta garancija izključuje poškodbe zaradi nesreče, zlorabe, sprememb, prilagoditev, nepravilnega servisiranja, zamrzovanja ali kemične obrabe. Izključeni so tudi priključki in dodatna oprema, ki niso bili v originalni embalaži z izdelkom. Ta garancija ne vključuje uporabljenih, obnovljenih, rabljenih ali predstavitevne opreme ali motorjev. Ta garancija izključuje okvare zaradi naravnih katastrof ali drugih dogodkov zaradi višje sile, ki jih proizvajalci ne morejo nadzirati.

## GARANCIJA NA PROIZVODE KOMPANIJE BRIGGS & STRATTON

### OGRANIČENA GARANCIJA

Kompanija Briggs & Stratton garantuje da će tokom perioda trajanja garancije, koji je naveden u daljem tekstu, besplatno popraviti ili zameniti bilo koji deo koji je neispravan u pogledu materijala ili izrade, ili u pogledu oba. Troškove transporta koji je poslat radi popravke ili zamene po odredbama ove garancije mora da snosi kupac. Ova garancija važi za i podleže vremenskim periodima i uslovima navedenim u daljem tekstu. Da bi vam bile pružene usluge obuhvaćene garancijom, pronađite najbližeg Ovlašćenog dobavljača usluga na mapi sa lokacijama dobavljača na stranici [www.BRIGGSandSTRATTON.com](http://www.BRIGGSandSTRATTON.com). Kupac mora da kontaktira Ovlašćenog dobavljača usluga, a da mu zatim omogući pregled i ispitivanje.

**Ne postoji druga izričita garancija. Sve podrazumevane garancije, uključujući i one o podesnosti za prodaju i prikladnosti za određenu svrhu, ograničene su na period od godinu dana od kupovine ili na zakonom dozvoljen period. Odgovornost za slučajnu ili posledičnu štetu je izuzeta do obima koji je dozvoljen zakonom.** Neke države ili zemlje ne dozvoljavaju postavljanje ograničenja na to koliko podrazumevana garancija traje, dok neke države ili zemlje ne dozvoljavaju izuzimanje ili ograničavanje odgovornosti za slučajnu ili posledičnu štetu, pa se gore navedena ograničenja možda ne odnose na vas. **Ova garancija vam daje određena zakonska prava, a moguće je da vi imate i druga prava koja zavise od države do države ili od zemlje do zemlje.\*\***

### PERIOD TRAJANJA

	Lična upotreba	Komercijalna upotreba
Oprema	60 meseca	Nijedan
батерије и пуњач батерија	24 meseca	Nijedan

\*\* U Australiji - Naši proizvodi se isporučuju sa garancijama koje se ne mogu isključivati po Australijskom zakonu o pravima potrošača. Imate pravo na zamenu ili povraćaj sredstava u slučaju velikog kvara i na kompenzaciju u slučaju bilo kakvih drugih razumno predvidivih gubitaka ili štete. Takođe imate pravo na popravku ili zamenu proizvoda ukoliko se pokaže da nisu prihvatljivog kvaliteta, a da kvar ne može da se okarakterise kao veliki. Da bi vam bile pružene usluge obuhvaćene garancijom, pronađite najbližeg Ovlašćenog dobavljača usluga na mapi sa lokacijama dobavljača na stranici [BRIGGSandSTRATTON.COM](http://BRIGGSandSTRATTON.COM) ili pozovite broj 1300 274 447, ili pošaljite e-poruku ili pismo na adresu [salesenquires@briggsandstratton.com.au](mailto:salesenquires@briggsandstratton.com.au), odnosno Briggs & Stratton Australia Pty Ltd, 1 Moorebank Avenue, NSW, Australia, 2170.

Trajanje garancije počinje na datum kupovine od strane kupca na malo ili kupca u komercijalne svrhe. "Lična upotreba" označava ličnu upotrebu, kućnu upotrebu od strane kupca na malo. "Komercijalna upotreba" označava svaku drugu upotrebu, uključujući upotrebu u komercijalne svrhe, ostvarivanje prihoda ili iznajmljivanja. Od trenutka kada proizvod bude jednom iskorišćen u komercijalne svrhe, smatraće se proizvodom koji se koristi u komercijalne svrhe za potrebe ove garancije.

Da bi se obezbedila brza i potpuna pokrivenost garancije, registrujte svoj proizvod na gore naznačenoj web lokaciji ili na [www.onlineproductregistration.com](http://www.onlineproductregistration.com), ili pošaljite poštom popunjen registracioni karton (ako postoji), ili pozovite broj 1-800-743-4115 (u SAD).

Sačuvajte priznanicu o kupovini. Ako ne priložite dokaz o prvobitnom datumu kupovine kada zatražite usluge obuhvaćene garancijom, za utvrđivanje trajanja garancije će biti iskorišćen datum proizvodnje. Registracija proizvoda nije potrebna da biste dobili usluge garancije na proizvode kompanije Briggs & Stratton.

### PODACI O VAŠOJ GARANCIJI

Usluge obuhvaćene garancijom su dostupne samo preko Ovlašćenih dobavljača usluga kompanije Briggs & Stratton. Većina popravki u okviru garancije se rutinski rešava, ali ponekad zahtevi za usluge obuhvaćene garancijom nisu prikladni. Ova garancija pokriva samo nedostatke u pogledu materijala ili izrade. Ona ne pokriva oštećenja izazvana nepravilnom upotrebom ili zloupotrebom, nepravilnim održavanjem ili popravkom, ili normalnim zamorom materijala.

**Nepravilna upotreba i zloupotreba - Pravilna upotreba proizvoda za svrhu kojoj namenjen je opisana u Uputstvu za upotrebu.** Upotrebom proizvoda na način koji nije opisan u Uputstvu za upotrebu ili upotrebom oštećenog proizvoda gubite pravo na garanciju. Garancija takođe neće biti obezbeđena ako je uklonjen serijski broj proizvoda ili je proizvod na bilo kakav način izmenjen ili modifikovan, ili ako se na proizvodu vide dokazi zloupotrebe kao što su oštećenja od udaraca ili oštećenja usled korozije izazvane vodom/hemijskim sredstvima.

**Nepravilno održavanje ili popravka - Ovaj proizvod mora da se održava u skladu sa procedurama i u terminima koji su navedeni u Uputstvu za upotrebu, kao i da se servisira ili popravlja pomoću originalnih delova kompanije Briggs & Stratton ili ekvivalentnih delova.** Šteta izazvana nedostatkom održavanja ili upotrebom delova koji nisu originalni nije pokrivena garancijom.

**Normalan zamor materijala - Kao kod svih mehaničkih uređaja, materijal na ovoj jedinici podleže zamoru čak i kada se pravilno održava.** Ova garancija ne obuhvata popravke u slučaju kada je normalna upotreba dovela do kraja radnog veka nekog dela ili opreme. Delovi za održavanje i oni koji su podložni zamoru materijala kao što su filteri, kaiševi, oštrice za sečenje i kočione pločice (osim kočionih pločica motora) nisu obuhvaćeni garancijom zbog same podložnosti zamoru, osim ako je uzrok kvara posledica nedostatka u pogledu materijala ili izrade.

**Druga izuzeća - Ova garancija izuzima štete usled nesreće, zloupotrebe, izmena, prepravki, neodgovarajućeg servisiranja, zamrzavanja ili hemijskog kvarenja.** Dodaci i pribor koji nisu bili u originalnom pakovanju se takođe izuzimaju. Ova garancija ne obuhvata polovne proizvode, obnovljene, korišćene, ili opremu ili motore za svrhe demonstriranja. Ova garancija takođe isključuje prestanak rada usled prirodnih i viših sila koje su van kontrole proizvođača.

## BRIGGS & STRATTON PRODUKTGARANTI

### BEGRÄNSAD GARANTI

Briggs & Stratton garanterar att under den garantiperiod som specificeras nedan, kommer det att reparera eller byta ut, utan avgift, eventuella felaktiga delar vad gäller material eller arbete eller både och. Köparen står själv för transportkostnaden för produkt som lämnats in för reparation eller utbyte. Garantin gäller under nedan angivna perioder och enligt nedan angivna villkor. Hitta närmaste auktoriserade servicecenter för garantiservice i återförsäljarkartan på [www.BRIGGSandSTRATTON.com](http://www.BRIGGSandSTRATTON.com). Köparen måste kontakta den auktoriserade servicehandlaren och sedan göra produkter tillgängliga för den auktoriserade servicehandlaren för inspektion och test.

**Ingen annan uttrycklig garanti lämnas. Implicita garantier, inklusive garantier avseende säljbarhet och lämplighet för ett visst syfte, är begränsade till nedan angiven garantiperiod eller till den omfattning som lagen medger. VI ANSVARAR INTE FÖR OLYCKOR ELLER FÖLJDSKADOR, TILL DEN UTSTRÄCKNING SOM DETTA UNDANTAG TILLÅTS ENLIGT LAG.** Vissa länder eller delstater medger inte begränsning av hur länge en underförstådd garanti gäller och vissa tillåter inte undantagande eller begränsning av ansvaret för följskador, så ovanstående gäller därför inte alla köpare. Denna garanti ger dig specifika juridiska rättigheter, men du kan även ha andra rättigheter, vilka skiljer sig mellan olika stater och länder.\*\*

### GARANTIPERIOD

	Privat användning	Kommersiell användning
Utrustning	60 månader	Ingen
Batteri och batteriladdare	24 månader	Ingen

\*\* I Australien omfattas våra produkter av garantier som inte kan frånskrivas enligt den australiensiska konsumentlagstiftningen. Du har rätt till en ersättning eller återbetalning vid ett betydande fel och till kompensation vid annan rimlig förutsebar förlust eller skada. Du har även rätt till att få varorna reparerade eller utbyta om varorna inte är av acceptabel kvalitet och felet inte uppgår till ett betydande fel. För garantiservice, hitta närmaste auktoriserade servicehandlare på vår karta för att hitta servicehandlare, på [insert website address], eller genom att ringa 1300 274 447, eller genom att skicka e-post eller brev till [salesenquires@briggsandstratton.com.au](mailto:salesenquires@briggsandstratton.com.au), Briggs & Stratton Australia Pty Ltd, 1 Moorebank Avenue, NSW, Australia, 2170.

Garantiperioden börjar dagen för det första inköpet av en privat kund eller företagskund. "Privat bruk" avser personligt bruk i hemmet av privatperson. "Kommersiellt bruk" avser allt annat bruk, inklusive affärsrelaterat bruk, bruk i näringsverksamhet eller uthyrning. Då produkten en gång varit i kommersiellt bruk betraktas produkten fortsättningsvis som kommersiell i garantisammanhang.

Registrera produkten på ovanstående webbplats eller på [www.onlineproductregistration.com](http://www.onlineproductregistration.com) för att säkerställa direkt och fullständigt garantiskydd, eller posta ifyllt registreringskort (om sådant finns) eller ring 1-800-743-4115 (i USA).

Spara inköpskvittot. Om inköpskvittot inte kan uppvisas vid yrkan på garantireparation, kommer produktens tillverkningsdatum att användas för att bestämma garantiperioden. Produkter från Briggs & Stratton behöver inte registreras för att du ska ha rätt till garantiservice.

### ANGÅENDE GARANTIN

Garantiservice finns endast tillgänglig genom Briggs & Stratton auktoriserade servicecenter. De flesta garantireparationer sker rutinmässigt men i vissa fall faller inte reparationen under garantin. Denna garanti täcker endast fel i material och/eller tillverkning. Den täcker inte skador orsakade av felaktig användning eller missbruk, otillräckligt/felaktigt underhåll eller reparation, eller normalt slitage.

**Felaktig användning eller missbruk** - korrekt och avsedd användning av denna produkt beskrivs i användarhandboken. Att använda produkten på annat sätt än vad som beskrivs i användarmanualen eller använda produkten efter att den skadats, gör garantin ogiltig. Garanti medges inte om produktens serienummer har avlägsnats eller produkten har modifierats på något sätt eller produkten bevisligen har missbrukats t.ex. slag eller vatten/kemiska korrosionsskador.

**Felaktigt underhåll eller reparation** - produkten måste underhållas enligt de procedurer och scheman som anges i användarhandboken, och måste underhållas och repareras med användning av originaldelar från Briggs & Stratton eller likvärdiga delar. Skador som orsakats av undermåligt underhåll eller användning av annat än originaldelar täcks inte av garantin.

**Normalt slitage** - som all mekanisk utrustning utsätts produkten för slitage även när den underhålls på rätt sätt. Garantin omfattar inte reparationer då normal användning lett till att en del av eller hela produktens livslängd har tagit slut. Underhålls- och slitageartiklar som filter, remmar, skär och bromsklossar (motorns bromsklossar täcks) täcks inte av garantin endast på grund av slitageegenskaperna, såvida inte orsaken beror på fel i material eller tillverkning.

**Andra undantag** - denna garanti gäller inte vid skada som uppkommer som resultat av olycka, missbruk, modifiering, ändring, felaktig service, frysskada eller kemisk nedbrytning. Bilagor eller tillbehör som inte fanns med i originalförpackningen med produkten är också undantagna. Den här garantin omfattar inte använda, rekonditionerade eller begagnade enheter, eller demonstrationsutrustning och -motorer. Garantin omfattar inte skador eller fel p.g.a force majeure eller andra händelser utom tillverkarens kontroll.



## BRIGGS & STRATTON ÜRÜNLER GARANTİ POLİTİKASI

### SINIRLI GARANTİ

Briggs & Stratton aşağıda belirtilen garanti süresi boyunca malzeme veya işçilikten ya da her ikisinden kaynaklanan bir kusuru olan herhangi bir parçayı ücretsiz onarmayı veya değiştirmeyi garanti etmektedir. Bu garanti kapsamında onarım ya da değiştirme için gönderilen ürünlerin nakliye masrafları alıcıya aittir. Bu garanti aşağıda belirtilen süre ve koşullar çerçevesinde geçerlidir. Garanti hizmeti için [www.BRIGGSandSTRATTON.com](http://www.BRIGGSandSTRATTON.com) adresindeki bayi arama fonksiyonunu kullanarak en yakın Yetkili Servis Bayisini bulunuz. Alıcı, Yetkili Servis Bayisi ile temasa geçerek ürünü inceleme ve test için Yetkili Servis Bayisine göndermelidir.

**Diğer açık garantiler yoktur. Ticari değer ve belirli bir amaca uygunlukla ilgili garantiler de dâhil olmak üzere zimni garantiler satın alma tarihinden itibaren bir yıl ya da yasayla belirlenen süre zarfında geçerlidir. Arızı veya dolaylı zararların sorumluluğu yasalar tarafından istisnaya izin verildiği ölçüde hariç tutulur.** Bazı eyalet ve ülkelerde zimni garanti süresine sınırlama getirilmemektedir; bazı eyalet ve ülkelerdeyse dolaylı veya dolaysız hasarlara ilişkin kapsam dışı bırakmaya veya sınırlamaya izin verilmemektedir. Bu nedenle yukarıdaki sınırlamalar ve kapsam dışı durumlar sizin için geçerli olmayabilir. Bu garanti size özel bazı yasal haklar tanımaktadır; ayrıca eyalet ve ülkelere göre değişebilecek diğer haklardan da yararlanabilirsiniz.\*\*

### GARANTİ SÜRESİ

	Tüketici Kullanımı	Ticari Kullanım
Ekipman	60 ay	Hiçbiri
Akü ve akü şarj cihazı	24 ay	Hiçbiri

\*\* Avustralya'da - Ürünlerimiz Avustralya Tüketici Yasası uyarınca kapsam dışı tutulamayan garantiler ile birlikte gelmektedir. Büyük bir arıza için ürün değiştirme veya ücret iadesi ve makul olarak önceden tahmin edilebilen herhangi bir kayıp ya da hasar için tazminat hakkınız bulunmaktadır. Ayrıca ürünler kabul edilebilir kalitede olmadığında ve bir arıza büyük arıza niteliğinde olmadığında da ürünlerin değiştirilmesi ve onarılmasını talep etme hakkınız vardır. Garanti hizmeti için, [BRIGGSandSTRATTON.COM](http://BRIGGSandSTRATTON.COM) adresindeki bayi arama fonksiyonunu kullanarak veya 1300 274 447 nolu telefonu arayarak ya da [salesenquires@briggsandstratton.com.au](mailto:salesenquires@briggsandstratton.com.au) adresine e-posta göndererek veya Briggs & Stratton Australia Pty Ltd, 1 Moorebank Avenue, NSW, Australia, 2170 posta adresine yazarak en yakın Yetkili Servis Bayisini bulunuz.

Garanti süresi, ilk perakende veya ticari tüketici tarafından satın alındığı tarihten itibaren başlar. "Tüketici kullanımı" bireysel tüketici tarafından kişisel mülkte kullanım anlamına gelmektedir. "Ticari kullanım" ticari, gelir elde etme veya kiralama amaçlı da dâhil olmak üzere diğer tüm kullanımları kapsamaktadır. Ürün bir kez ticari amaçlı kullanılırsa bu garantinin amaçları doğrultusunda ticari kullanım ürünü olarak değerlendirilecektir.

Derhal ve komple garanti kapsamını sağlamak için yukarıda gösterilen web sitesinde veya [www.onlineproductregistration.com](http://www.onlineproductregistration.com)'da ürününüzü kaydedin veya doldurulmuş olan kayıt kartını (sağlandıysa) postayla gönderin veya 1-800-743-4115 (ABD'de) numarayı arayın.

Satın alma makbuzunuzu saklayınız. Garanti servisinde istendiği zamanda ilk satın alma makbuzunuzu sağlayamamanız halinde ürünün üretim tarihi garanti süresini belirlemek için kullanılacaktır. Briggs ve Stratton ürünlerinde garanti hizmeti almak için ürün kaydına gerek yoktur.

### GARANTİ KAPSAMI HAKKINDA BİLGİ

Garanti hizmeti sadece Briggs & Stratton Yetkili Servis Bayileri tarafından verilmektedir. Garanti kapsamındaki onarımlar en kısa sürede yapılmaktadır, fakat bazı garanti hizmeti talepleri uygun olmayabilir. Bu garanti sadece malzeme ve işçilikten kaynaklanan kusurları kapsamaktadır. Yanlış veya kötü kullanım, yanlış bakım ya da onarım, normal aşınma ve yıpranmadan kaynaklanan hasarları kapsamamaktadır.

**Yanlış ve Kötü Kullanım** - Bu ürünün doğru ve amacına uygun kullanımı Kullanım Kılavuzunda açıklanmaktadır. Ürünü Kullanım Kılavuzunda belirtilmeyen bir şekilde veya ürün hasar gördükten sonra kullanmak garantinizi geçersiz kılmaktadır. Ürün üzerindeki seri numara çıkarılmışsa veya ürün herhangi bir şekilde değiştirilmiş ya da modifiye edilmişse veya ürün üzerinde darbeye bağlı hasar ya da su/kimyasal korozyon hasarına dair bir kanıt varsa garanti kapsamına girmez.

**Yanlış Bakım ya da Onarım** - Bu ürüne Kullanım Kılavuzunda yer alan prosedür ve programlar doğrultusunda bakım yapılmalı, orijinal Briggs & Stratton parçaları veya bunlara denk parçalar kullanılarak servis ve onarım yapılmalıdır. Yetersiz bakım veya orijinal olmayan parçalar kullanılması nedeniyle oluşan hasarlar garanti kapsamında değildir.

**Normal Aşınma ve Yıpranma** - Uygun bakım yapılsa da bütün mekanik aygıtlar gibi cihazınız da aşınmaya maruz kalır. Bu garanti cihazın ya da herhangi bir parçasının normal kullanım ömrü dolduktan sonraki onarımları kapsamaz. Bakım gerektiren ve aşınmaya maruz kalan filtre, kayış, kesici bıçak ve fren pedleri (motor fren pedleri kapsam dâhilindedir) gibi öğeler aşınma özelliğinden dolayı garanti kapsamına girmez, ancak malzeme ve işçilikten kaynaklanan kusurlar garanti kapsamındadır.

**Kapsam Dışındaki Diğer Nedenler** - Bu garanti kaza, kötü kullanım, modifikasyon, değişiklik, yanlış servis, donma veya kimyasal bozunmadan kaynaklanan hasarları kapsamaz. Başlangıçta ürünle birlikte verilmeyen ataşmanlar veya aksesuarlar da kapsam dışındadır. Bu garanti, kullanılmış, yeniden koşullandırılmış, ikinci el veya numune ekipman veya motorları kapsamaz. İşbu garanti üreticinin kontrolü dışında gelişen doğal afet ve diğer mücbir sebepler nedeniyle oluşan arızaları kapsamaz.

## ГАРАНТІЙНА ПОЛІТИКА ЩОДО ВИРОБІВ КОМПАНІЇ BRIGGS & STRATTON

### ОБМЕЖЕНА ГАРАНТІЯ

Корпорація Briggs & Stratton протягом зазначеного нижче гарантійного терміну безкоштовно ремонтуватиме та замінюватиме усі деталі, що мають дефект матеріалу та/або виробничий брак. Транспортні витрати на доставку виробів, які надаються для ремонту або заміни за цією гарантією, покладаються на покупця. Гарантія діє протягом терміну та відповідно до умов, як зазначено нижче. З питань гарантійного обслуговування звертайтеся до авторизованих сервісних дилерів, яких можна знайти на карті дилерів, наведеній на сайті [www.BRIGGSandSTRATTON.COM](http://www.BRIGGSandSTRATTON.COM). Покупець має звернутися до авторизованого сервісного дилера для уточнення подробиць, а потім передати виріб дилерові для перевірки й тестування.

**Не існує жодних інших прямих гарантій. Непрямі гарантії, в тому числі гарантії придатності для продажу та до використання за призначенням, обмежуються терміном один рік з дати придбання або рамками, встановленими законом. Виключається відповідальність за випадкові або непрямі збитки в дозволених законом рамках.** Проте в деяких штатах і країнах не дозволяється обмежувати термін непрямих гарантій, а також виключати або обмежувати відповідальність за випадкові чи непрямі збитки, тому вищезазначені обмеження та виключення можуть не розповсюджуватися на вас. Гарантія надає вам певні юридичні права на додачу до інших прав, яких ви маєте згідно з законами штату чи країни.\*\*

### ГАРАНТІЙНИЙ ТЕРМІН

	Особисте використання	Комерційне використання
обладнання	60 місяці	Немає
аккумулятор і зарядний пристрій	24 місяці	Немає

\*\* В Австралії наші вироби продаються з гарантіями, що відповідають австралійському законодавству щодо прав споживачів. Якщо ви мешкаєте в Австралії, ви маєте право на заміну або відшкодування у разі серйозної несправності та на компенсацію за будь-які обґрунтовано очікувані збитки або пошкодження. Ви також маєте право на безкоштовний ремонт виробу або його заміну, якщо виріб неналежної якості, а несправність не є серйозною. З питань гарантійного обслуговування звертайтеся до авторизованих сервісних дилерів, яких можна знайти на карті дилерів, наведеній на сайті [insert website address], за телефоном 1300-274-447, надіславши повідомлення на адресу електронної пошти [salesenquires@briggsandstratton.com.au](mailto:salesenquires@briggsandstratton.com.au) або відправивши листа за адресою: Briggs & Stratton Australia Pty Ltd, 1 Moorebank Avenue, NSW, Australia, 2170.

Гарантійний термін починається з дати придбання першим роздрібним користувачем або кінцевим комерційним споживачем. «Особисте використання» означає індивідуальне побутове використання приладу роздрібним споживачем. «Комерційне використання» означає всі інші варіанти застосування, включаючи ті, що пов'язані з комерційною діяльністю, отриманням прибутку або здачею в оренду. Якщо виріб використовувався в комерційних цілях, згідно з цими гарантійними умовами він надалі вважатиметься виробом, що використовувався з комерційною метою.

Для здійснення швидкого та повного гарантійного обслуговування зареєструйте виріб на наведеному вище веб-сайті чи на веб-сайті [www.onlineregistration.com](http://www.onlineregistration.com), або відправте заповнену реєстраційну картку (якщо додається) або зателефонуйте за номером 1-800-743-4115 (у США).

Збережіть чек, що підтверджує покупку. Якщо під час звернення за гарантійним обслуговуванням ви не зможете документально підтвердити дату покупки, гарантійний термін визначатиметься за датою виготовлення виробу. Для здійснення гарантійного обслуговування продукції Briggs & Stratton реєстрація виробу не потрібна.

### ПРО ГАРАНТІЮ

Гарантійний ремонт виконують лише авторизовані сервісні дилери Briggs & Stratton. За більшістю звернень гарантійний ремонт виконується у звичайному порядку, проте іноді вимоги щодо гарантійного обслуговування виявляються безпідставними. Гарантія розповсюджується лише на деталі, що мають дефект матеріалу або виробничий брак. Гарантія не розповсюджується на пошкодження, що виникли внаслідок неправильної експлуатації або порушення правил експлуатації, невідповідного технічного обслуговування чи ремонту, експлуатаційного зношення або розриву.

**Неправильна експлуатація** – належну експлуатацію цього виробу за призначенням описано в інструкції з експлуатації. Використання виробу у спосіб, який не зазначено в інструкції з експлуатації, або після його пошкодження призводить до скасування гарантії. Гарантія не розповсюджується на вироби з відсутніми серійними номерами, змінені або модифіковані у будь-який спосіб та зі слідами неналежного використання, наприклад пошкодження від ударів або корозії внаслідок дії води чи хімічних речовин.

**Невідповідне технічне обслуговування або ремонт** – технічне обслуговування цього виробу слід виконувати згідно з порядком та регламентом, наведеними в інструкції з експлуатації, і використовувати лише оригінальні запасні частини виробництва Briggs & Stratton або їхні аналоги. Гарантія не розповсюджується на пошкодження, спричинені нерегулярним технічним обслуговуванням або використанням запасних частин інших виробників.

**Експлуатаційне зношення** – як і всі механічні пристрої, ваш пристрій зношується навіть за належного технічного обслуговування. Ця гарантія не покриває ремонт, якщо внаслідок нормального використання ресурс деталі або обладнання вичерпано. Гарантія не розповсюджується на деталі, що необхідні для технічного обслуговування або зношуються, наприклад фільтри, паси, ножі, гальмівні накладки (крім гальмівних накладок двигуна), які носять лише ознаки зносу та не мають дефектів матеріалу або виробничого браку.

**Інші винятки** – ця гарантія не покриває пошкодження, які виникли внаслідок нещасного випадку, неналежного використання, модифікацій, змін, неналежного обслуговування, заморожування або хімічного пошкодження. Гарантія також не розповсюджується на додаткове обладнання або приладдя, яке не постачалося разом із виробом. Ця гарантія не розповсюджується на використане, відремонтоване, вживане або демонстраційне обладнання чи двигуни. Ця гарантія також не покриває пошкодження, які виникли через стихійні лиха або інші непередбачувані обставини, що не підлягають контролю з боку виробника.

**EN EC DECLARATION OF CONFORMITY**

Manufacturer Name: Briggs & Stratton Power Products Group, LLC  
Address: Milwaukee, WI USA 53201  
Manufacturing Address: No. 65 Xinggong Rd. Zhonglou Zone, Changzhou,  
Jiangsu, China  
Keeper of Documentation: Jeroen Engelen  
Schepersweg 4a 6049CV Herten, NL

Herewith we declare that the product

Category ..... **82V BATTERY CHARGER**  
Model ..... **EBSRC82**  
SAP Number ..... **1760264**  
Serial Number ..... See product rating label  
Year of Construction ..... See product rating label

- is in conformity with the relevant provisions of the Low Voltage Directive 2014/35/EU
- is in conformity with the provisions of the following other directives -
  - EMC Directive (2014/30/EU)
  - ROHS II (2011/65/EU)
  - WEEE Directive (2012/19/EU)

And furthermore, we declare that

- The following (parts/clauses of) European harmonised standards have been used  
EN 60335-2-29, EN 60335-1, EN 62233, EN 55014-1,  
EN 55014-2, EN 61000-3-2, EN 61000-3-3

Herewith we declare that the product

Category ..... **82V BATTERY**  
Models ..... **EBSB2AH82, EBSB4AH82**  
SAP Numbers ..... **1760514, 1760515**

- is in conformity with the requirements of Council Directive 2006/66/EC Battery Directive.

And furthermore, we declare that

- The following European standards have been used  
IEC 62133

Place, date: Milwaukee, WI 15/08/2016

Signature: Andrew J. Petraszak  
Product Safety and Compliance Manager



(AR)

في بوروالا فيض و فم اب صا خ ل ا قق با طم ل ا ن ا ل ع ا

Briggs & Stratton Power Products Group, LLC

Milwaukee, WI USA 53201

No. 65 Xinggang Rd. Zhonglou Zone, Changzhou,  
Jiangsu, China

Jeroen Engelen

Schepersweg 4a 6049CV Herten, NL

جتن ل ا ن ا ر ق ن ن ا ل ع ا ل ا ا ذ ه ب ج و م ب

ت ل و ف 82 ن ح ا ش ..... ة ي ف ل ا

EBSRC82

ل ي د و م ل ..... 1760264 (SAP) ة م د خ ل ل ل و ص و ل ا ة ط ق ن م ق ر ا

ج ت ن ل ا ف ي ن ص ت ة ق ا ط ب ر ظ ن ا ..... ل س ل س م ل ا م ق ر ل ا

ج ت ن ل ا ف ي ن ص ت ة ق ا ط ب ر ظ ن ا ..... م ي م ص ت ل ا ة ن س

■ 2014/35/EU ة ض ف خ ن م ل ا ة ي ت ل و ف ل ا ه ي ج و ت ب ة ص ا خ ل ا ة ل ص ل ا ت ا ذ م ا ك ح ا ل ل ق ب ا ط م

– ة ي ل ا ت ل ا ر خ ا ل ا ت ا ه ي ج و ت ل ا ب ة ص ا خ ل ا م ا ك ح ا ل ل ق ب ا ط م

(2014/30/EU) ي س ي ط ا ن غ م و ر م ك ل ا ق ف ا و ت ل ا ه ي ج و ت

II (2011/65/EU) ة ر ط خ ل ا د ا و م ل ا م ا د خ ت س ا ن م د ح ل ا ه ي ج و ت

(2012/19/EU) ة ي ن و ر ت ك ل ل ا ل ا و ة ي ا ب ر م ك ل ا ت ا د ع م ل ا ت ا ي ا ف ن ه ي ج و ت

أض ي ا ن ل ع ن ل ك ل ذ ي ل ع ة و ا ل ع

■ ة ق س ن م ل ا في ب و ر و ا ل ا ر ي ي ا ع م ل ا ن م ة ي ل ا ت ل ا (د و ن ب ل ا / ة ا ز ج ا ل ا) م ا د خ ت س ا

EN 60335-2-29, EN 60335-1, EN 62233, EN 55014-1,

EN 55014-2, EN 61000-3-2, EN 61000-3-3

جتن ل ا ن ا ر ق ن ن ا ل ع ا ل ا ا ذ ه ب ج و م ب

ت ل و ف 82 ة ي ر ا ط ب ل ا ..... ة ي ف ل ا

EBSB2AH82, EBSB4AH82

ت ا ل ي د و م ل ..... 1760514, 1760515 (SAP) ة م د خ ل ل ل و ص و ل ا ة ط ق ن م ا ق ر ا

■ ت ا ي ر ا ط ب ل ا ب ص ا خ ل ا ه ي ج و ت ل ا و م و 2006/66/EC ي ب و ر و ا ل ا س ل ج م ل ا ه ي ج و ت ت ا ب ل ط ت م ل ق ب ا ط م

أض ي ا ن ل ع ن ل ك ل ذ ي ل ع ة و ا ل ع

■ ة ي ل ا ت ل ا في ب و ر و ا ل ا ر ي ي ا ع م ل ا م ا د خ ت س ا م ت

IEC 62133

Milwaukee, WI 15/08/2016 خ ي ر ا ت ل ا ن ك م ل ا

Andrew J. Petraszak ع ي ق و ت ل ا

ا م ق ب ا ط ت و ت ا ج ت ن م ل ا ة م ل س ر ي د م

**BG ЕС ДЕКЛАРАЦИЯ ЗА СЪОТВЕТСТВИЕ НА МАШИНАТА**

Име на производителя: Briggs & Stratton Power Products Group, LLC

Адрес: Milwaukee, WI USA 53201

Адрес на производителя: No. 65 Xinggang Rd. Zhonglou Zone, Changzhou, Jiangsu, China

Съхраняващ документацията: Jeroen Engelen

Schepersweg 4a 6049CV Herten, NL

С настоящето декларираме, че продуктът

Категория ..... **Зарядно устройство от 82V**

Модел ..... **EBSRC82**

SAP номер ..... **1760264**

Сериен номер ..... Виж етикета с номиналните стойности

Година на производство ..... Виж етикета с номиналните стойности

- отговаря на изискванията и разпоредбите на Директива 2014/35/EC за ниските напрежения
- отговаря на разпоредбите на следните други директиви –  
Директива 2014/30/EU, за електромагнитната съвместимост (EMC)  
ROHS II (2011/65/EC)  
WEEE Директива (2012/19/EC)

Освен това декларираме, че

- са приложени следните (части/клаузи от) европейските хармонизирани стандарти  
EN 60335-2-29, EN 60335-1, EN 62233, EN 55014-1,  
EN 55014-2, EN 61000-3-2, EN 61000-3-3

С настоящето декларираме, че продуктът

Категория ..... **батерия от 82V**

Модели ..... **EBSB2AH82, EBSB4AH82**

SAP номера ..... **1760514, 1760515**

- отговаря на изискванията на Директива 2006/66/EC за батериите.

Освен това декларираме, че

- Използвани са следните стандарти на EC  
IEC 62133

Място, дата: Милуоки, WI 15/08/2016

Подпис: Andrew J. Petraszak

Мениджър по продуктова безопасност и съвместимост



**CS PROHLÁŠENÍ O SHODE EC**

Název výrobce: Briggs & Stratton Power Products Group, LLC

Adresa: Milwaukee, WI USA 53201

Adresa výroby: No. 65 Xinggang Rd. Zhonglou Zone, Changzhou,  
Jiangsu, China

Dokumentace je uložena u: Jeroen Engelen

Schepersweg 4a 6049CV Herten, NL

Tímto prohlašujeme, že výrobek:

Druh ..... **Nabíječka 82V**

Model ..... **EBSRC82**

Číslo SAP ..... **1760264**

Výrobní číslo ..... Viz výkonový štítek na výrobku

Rok výroby ..... Viz výkonový štítek na výrobku

- je v souladu s příslušnými ustanoveními Směrnice o zařízeních nízkého napětí 2014/35/EU
- je v souladu s ustanoveními těchto dalších směrnic –  
Směrnice EMC (2014/30/EU)  
Směrnice ROHS II 2011/65/EU o omezení používání některých nebezpečných látek v elektrických a elektronických zařízeních  
Směrnice 2012/19/EU o telekomunikačních koncových zařízeních

A mimoto prohlašujeme, že

- byly použity následující (části/odstavce) harmonizované evropské normy  
EN 60335-2-29, EN 60335-1, EN 62233, EN 55014-1,  
EN 55014-2, EN 61000-3-2, EN 61000-3-3

Tímto prohlašujeme, že výrobek:

Druh ..... **Baterie 82V**

Modely ..... **EBSB2AH82, EBSB4AH82**

Čísla SAP ..... **1760514, 1760515**

- je v souladu s požadavky Směrnice rady O bateriích 2006/66/ES.

A mimoto prohlašujeme, že

- Byly použity následující evropské normy  
IEC 62133

Místo, datum: Milwaukee, WI 15/08/2016

Podpis: Andrew J. Petraszak

Manažer pro bezpečnost produktu a pro shodu



**DA EC OVERENSSTEMMELSESERKLÆRING**

Producentens navn: Briggs & Stratton Power Products Group, LLC

Adresse: Milwaukee, WI USA 53201

Produktionsadresse: No. 65 Xinggong Rd. Zhonglou Zone, Changzhou,  
Jiangsu, China

Indehaver af dokumentation: Jeroen Engelen

Schepersweg 4a 6049CV Herten, NL

Vi erklærer hermed, at produktet

Kategori ..... **82V OPLADER**

Model..... **EBSRC82**

SAP-nummer ..... **1760264**

Serienummer ..... Se produktets klassificeringsetiket

Fremstillingsår ..... Se produktets klassificeringsetiket

- er i overensstemmelse med de relevante bestemmelser i lavspændingsdirektivet 2014/35/EF
- er i overensstemmelse med bestemmelserne i følgende andre direktiver -  
EMC direktiv (2014/30/EU)  
ROHS II (2011/65/EF)  
WEEE direktiv (2012/19/EF)

Og vi erklærer yderligere, at

- de følgende (dele/bestemmelser af) europæiske harmoniserede standarder er blevet  
EN 60335-2-29, EN 60335-1, EN 62233, EN 55014-1,  
EN 55014-2, EN 61000-3-2, EN 61000-3-3

Vi erklærer hermed, at produktet

Kategori ..... **82V BATTERI**

Modeller ..... **EBSB2AH82, EBSB4AH82**

SAP-numre ..... **1760514, 1760515**

- er i overensstemmelse med kravene i Rådets direktiv 2006/66/EF Batteridirektiv.

Og vi erklærer yderligere, at

- Følgende europæiske standarder er blevet brugt  
IEC 62133

Sted, dato: Milwaukee, WI 15/08/2016

Underskrift: Andrew J. Petraszak  
Chef for produktsikkerhed og overensstemmelse



**DE EC KONFORMITÄTSERKLÄRUNG**

Hersteller: Briggs & Stratton Power Products Group, LLC

Adresse: Milwaukee, WI USA 53201

Herstelleradresse: No. 65 Xinggang Rd. Zhonglou Zone, Changzhou,  
Jiangsu, China

Dokumentation: Jeroen Engelen

Schepersweg 4a 6049CV Herten, NL

Hiermit erklären wir, dass das Produkt

Kategorie ..... **82V LADEGERÄT**

Modell ..... **EBSRC82**

SAP Nummer ..... **1760264**

Seriennummer ..... siehe Produkt-Typenschild

Baujahr ..... siehe Produkt-Typenschild

- mit den entsprechenden Bestimmungen der Maschinenrichtlinie (2014/35/EC) übereinstimmt
- mit den Bestimmungen der folgenden anderen EC-Richtlinien übereinstimmt
  - EMC Richtlinie (2014/30/EU)
  - ROHS II (2011/65/EU)
  - WEEE-Richtlinie (2012/19/EU)

und weiterhin erklären wir, dass

- die folgenden (Teile/Bestimmungen aus) europäischen harmonisierten Normen verwendet wurden
  - EN 60335-2-29, EN 60335-1, EN 62233, EN 55014-1,
  - EN 55014-2, EN 61000-3-2, EN 61000-3-3

Hiermit erklären wir, dass das Produkt

Kategorie ..... **82V BATTERIE**

Modelle ..... **EBSB2AH82, EBSB4AH82**

SAP Nummern ..... **1760514, 1760515**

- den Anforderungen der Richtlinie 2006/66/EC des Europäischen Parlaments und des Rates über Batterien und Akkumulatoren entspricht.

und weiterhin erklären wir, dass

- Die folgenden europäischen Normen wurden verwendet
  - IEC 62133

Ort, Datum: Milwaukee, WI 15/08/2016

Unterschrift: Andrew J. Petraszak  
Produktsicherheit und Compliance Manager





**ES DECLARACIÓN EC DE CONFORMIDAD**

Nombre del fabricante: Briggs & Stratton Power Products Group, LLC  
Dirección: Milwaukee, WI USA 53201  
Dirección de producción: No. 65 Xinggang Rd. Zhonglou Zone, Changzhou, Jiangsu, China  
Propietario de la Documentación: Jeroen Engelen  
Schepersweg 4a 6049CV Herten, NL

Por la presente declaramos que el producto

Categoría ..... **82V CARGADOR**  
Modelo..... **EBSRC82**  
Número SAP ..... **1760264**  
Número de serie ..... Ver etiqueta de clasificación de productos  
Año de fabricación ..... Ver etiqueta de clasificación de productos

- está en conformidad con las disposiciones pertinentes de la Directiva de Baja Tensión 2014/35/EU
- está en conformidad con las disposiciones de estas otras directivas –  
Directiva EMC (2014/30/EU)  
ROHS II (2011/65/EU)  
Directiva WEEE (2012/19/UE)

Y además, declaramos que

- se han utilizado las siguientes (partes o cláusulas de las) normas armonizadas europeas  
EN 60335-2-29, EN 60335-1, EN 62233, EN 55014-1,  
EN 55014-2, EN 61000-3-2, EN 61000-3-3

Por la presente declaramos que el producto

Categoría ..... **82V BATERÍA**  
Modelos ..... **EBSB2AH82, EBSB4AH82**  
Números SAP ..... **1760514, 1760515**

- está en conformidad con los requisitos de la Directiva del Consejo sobre Baterías 2006/66/EC.

Y además, declaramos que

- Se han utilizado las siguientes normas europeas  
IEC 62133

Lugar, fecha: Milwaukee, WI 15/08/2016

Firma: Andrew J. Petraszak  
Seguridad del Producto y Gerente de Cumplimiento



**ET EC VASTAVUSDEKLARATSIOON**

Tootja nimi: Briggs & Stratton Power Products Group, LLC

Address: Milwaukee, WI USA 53201

Tootja address: No. 65 Xinggang Rd. Zhonglou Zone, Changzhou,  
Jiangsu, China

Dokumentatsiooni hoidja: Jeroen Engelen

Schepersweg 4a 6049CV Herten, NL

Kinnitame, et see toode,

Nimetus ..... **82V LAADIJA**

Mudel..... **EBSRC82**

SAP-number ..... **1760264**

Seerianumber ..... vaadake toote tehasesilti

Tootmisaasta ..... vaadake toote tehasesilti

- vastab madalpingedirektiivi 2014/35/EÜ asjassepuutuvatele nõuetele
- vastab järgmiste direktiivide nõuetele –  
Elektromagnetilise ühilduvuse direktiiv (2014/30/EU)  
ROHS II (2011/65/EU)  
Elektri- ja elektroonikaseadmete jäätmekäitluse direktiiv (2012/19/EÜ)

Lisaks deklareerime, et

- on kasutatud järgmisi Euroopa harmoniseeritud standardeid (nende osi/sätteid):  
EN 60335-2-29, EN 60335-1, EN 62233, EN 55014-1,  
EN 55014-2, EN 61000-3-2, EN 61000-3-3

Kinnitame, et see toode,

Nimetus ..... **82V Aku**

Mudelid ..... **EBSB2AH82, EBSB4AH82**

SAP-numbrid ..... **1760514, 1760515**

- vastab Euroopa Nõukogu akudirektiivi 2006/66/EÜ nõuetele.

Lisaks deklareerime, et

- Rakendatud on järgmisi Euroopa standardeid  
IEC 62133

Address, kuupäev: Milwaukee, WI 15/08/2016

Allkiri: Andrew J. Petraszak

Tooteohutuse ja vastavuse eest vastutav direktor



**FI EC-SÄÄNNÖSTEN NOUDATTAMINEN**

Valmistajan nimi: Briggs & Stratton Power Products Group, LLC

Osoite: Milwaukee, WI USA 53201

Valmistajan osoite: No. 65 Xinggang Rd. Zhonglou Zone, Changzhou,  
Jiangsu, China

Asiakirjojen haltija: Jeroen Engelen

Schepersweg 4a 6049CV Herten, NL

Ilmoitamme täten, että tuote

Luokka ..... **82V LATURI**

Malli ..... **EBSRC82**

SAP-numero ..... **1760264**

Sarjanumero ..... Viittaa tuotteen nimikilpeen

Valmistusvuosi ..... Viittaa tuotteen nimikilpeen

- noudattaa matalajännitedirektiivin 2014/35/EU asianmukaisia ehtoja
- noudattaa seuraavien muiden direktiivien ehtoja –  
EMC-direktiivi (2014/30/EU)  
ROHS II (2011/65/EU)  
WEEE-direktiivi (2012/19/EU)

Ilmoitamme edelleen, että

- olemme käyttäneet seuraavia eurooppalaisia yhdenmukaisia standardeja (osittain/  
lauseittain):  
EN 60335-2-29, EN 60335-1, EN 62233, EN 55014-1,  
EN 55014-2, EN 61000-3-2, EN 61000-3-3

Ilmoitamme täten, että tuote

Luokka ..... **82V AKKU**

Mallit ..... **EBSB2AH82, EBSB4AH82**

SAP-numerot ..... **1760514, 1760515**

- noudattaa neuvoston direktiivin 2006/66/EC-akkudirektiivi ehtoja.

Ilmoitamme edelleen, että

- Olemme käyttäneet seuraavia eurooppalaisia standardeja  
IEC 62133

Paikka, päiväys: Milwaukee, WI 15/08/2016

Allekirjoitus: Andrew J. Petraszak  
Tuoteturvallisuus- ja säädöstenmukaisuuspäällikkö



**FR DÉCLARATION DE CONFORMITÉ EC**

Nom du fabricant : Briggs & Stratton Power Products Group, LLC

Address : Milwaukee, WI USA 53201

Adresse (lieu) de production : No. 65 Xinggang Rd. Zhonglou Zone, Changzhou, Jiangsu, China

Propriétaire de la documentation : Jeroen Engelen

Schepersweg 4a 6049CV Herten, NL

Déclarons par la présente que le produit

Catégorie ..... **CHARGEUR 82V**

Modèle ..... **EBSRC82**

Numéro SAP ..... **1760264**

Numéro de série ..... Voir plaque signalétique

Année de fabrication ..... Voir plaque signalétique

- est conforme à toutes les provisions pertinentes de la Directive des faibles tensions 2014/35/EU
- est conforme à toutes les provisions des directives suivantes -  
Directive EMC (2014/30/EU)  
Conforme à la Directive RoHS II 2011/65/CE  
Conforme à la Directive portant sur les déchets d'équipements électriques et électroniques 2012/19/CE

Nous déclarons par ailleurs que

- les parties suivantes (parties/clauses des) standards Européens  
EN 60335-2-29, EN 60335-1, EN 62233, EN 55014-1,  
EN 55014-2, EN 61000-3-2, EN 61000-3-3

Déclarons par la présente que le produit

Catégorie ..... **BATTERIE 82V**

Modèles ..... **EBSB2AH82, EBSB4AH82**

Numéros SAP ..... **1760514, 1760515**

- est conforme à toutes les exigences de la Directive du conseil sur les batteries 2006/66/EU.

Nous déclarons par ailleurs que

- Les normes européennes harmonisées suivantes ont été appliquées  
IEC 62133

Fait à, le : Milwaukee, WI 15/08/2016

Signature : Andrew J. Petraszak  
Directeur de la sécurité et conformité des produits



**HR EC IZJAVA O USKLAĐENOSTI**

Naziv proizvođača: Briggs & Stratton Power Products Group, LLC

Adresa: Milwaukee, WI USA 53201

Adresa proizvođača: No. 65 Xinggang Rd. Zhonglou Zone, Changzhou,  
Jiangsu, China

Dokumentacija: Jeroen Engelen

Schepersweg 4a 6049CV Herten, NL

Ovime izjavljujemo da je proizvod

Kategorija ..... **PUNJAČ OD 82V**

Model ..... **EBSRC82**

SAP broj ..... **1760264**

Serijski broj ..... Pogledati naljepnicu na proizvodu

Godina proizvodnje ..... Pogledati naljepnicu na proizvodu

- u skladu s relevantnim odredbama Direktive 2014/35/EU o niskom naponu
- usklađen s odredbama sljedećih direktiva -  
EMC Direktiva (2014/30/EU),  
ROHS II (2011/65/EU)  
WEEE Direktiva (2012/19/EU)

Nadalje, izjavljujemo da su

- korišteni sljedeći (dijelovi/klauzule) europski usklađenih normi  
EN 60335-2-29, EN 60335-1, EN 62233, EN 55014-1,  
EN 55014-2, EN 61000-3-2, EN 61000-3-3

Ovime izjavljujemo da je proizvod

Kategorija ..... **BATERIJA OD 82V**

Modeli ..... **EBSB2AH82, EBSB4AH82**

SAP brojevi ..... **1760514, 1760515**

- u skladu je s zahtjevima Direktive vijeća 2006/66/EC direktiva o baterijama.

Nadalje, izjavljujemo da su

- Korišteni su sljedeći europski standardi  
IEC 62133

Mjesto, datum: Milwaukee, WI 15/08/2016

Potpis: Andrew J. Petraszak

Upravitelj za sigurnost proizvoda i usklađenost



**(HU) EC IZJAVA O USKLAĐENOSTI**

Gyártócég neve: Briggs & Stratton Power Products Group, LLC

Cím: Milwaukee, WI USA 53201

Gyártó címe: No. 65 Xinggang Rd. Zhonglou Zone, Changzhou,  
Jiangsu, China

Dokumentáció kezelője: Jeroen Engelen

Schepersweg 4a 6049CV Herten, NL

Ezúton kijelentjük, hogy a termék

Kategória ..... **82V-OS TÖLTŐ**

Típus ..... **EBSRC82**

SAP szám ..... **1760264**

Sorozatszám ..... Lásd a termék adattábláján

Gyártási év ..... Lásd a termék adattábláján

- megfelel a 2014/35/EU kiefeszültségű irányelv vonatkozó rendelkezéseinek
- megfelel az alábbi irányelvek vonatkozó rendelkezéseinek –  
EMC irányelv (2014/30/EU)  
ROHS II (2011/65/EU)  
WEEE irányelv: 2012/19/EU

Továbbá kijelentjük, hogy

- a következő harmonizált európai szabványokat (részzeit/pontjait) használtuk fel:  
EN 60335-2-29, EN 60335-1, EN 62233, EN 55014-1,  
EN 55014-2, EN 61000-3-2, EN 61000-3-3

Ezúton kijelentjük, hogy a termék

Kategória ..... **82V AKKUMULÁTOR**

Típusok ..... **EBSB2AH82, EBSB4AH82**

SAP számok ..... **1760514, 1760515**

- megfelel a Tanács 2006/66/EC Akkumulátor irányelve követelményeinek.

Továbbá kijelentjük, hogy

- A következő európai szabványokat használtuk fel  
IEC 62133

hely, dátum: Milwaukee, WI 15/08/2016

Aláírás: Andrew J. Petraszak  
Termékbiztonság és megfelelőségi igazgató



**IT DICHIARAZIONE DI CONFORMITÀ EC**

Nome della ditta produttrice: Briggs & Stratton Power Products Group, LLC

Indirizzo: Milwaukee, WI USA 53201

Indirizzo ditta produttrice: No. 65 Xinggang Rd. Zhonglou Zone, Changzhou, Jiangsu, China

Depositario documenti: Jeroen Engelen  
Schepersweg 4a 6049CV Herten, NL

Si dichiara con la presente che il prodotto

Categoria ..... **CARICATORE DA 82V**

Modello ..... **EBSRC82**

Numero SAP ..... **1760264**

Numero di serie ..... Vedere l'etichetta nominale sul prodotto

Anno di costruzione ..... Vedere l'etichetta nominale sul prodotto

- è conforme alle rilevanti disposizioni della Direttiva sulla Bassa Tensione 2014/35/EU
- è conforme alle disposizioni delle altre seguenti direttive –  
Direttiva EMC (2014/30/EU)  
ROHS II (2011/65/EU)  
Direttiva sui Rifiuti da Apparecchiature Elettriche ed Elettroniche (RAEE) 2012/19/EU

Si dichiara inoltre che

- sono state impiegate le seguenti (parti/clausole degli) standard europei armonizzati  
EN 60335-2-29, EN 60335-1, EN 62233, EN 55014-1,  
EN 55014-2, EN 61000-3-2, EN 61000-3-3

Si dichiara con la presente che il prodotto

Categoria ..... **BATTERIA DA 82V**

Modelli ..... **EBSB2AH82, EBSB4AH82**

Numeri SAP ..... **1760514, 1760515**

- è in conformità con i requisiti della Direttiva del Consiglio 2006/66/CE Direttiva sulle Batterie.

Si dichiara inoltre che

- Sono stati utilizzati i seguenti standard europei.  
IEC 62133

Luogo e data: Milwaukee, WI 15/08/2016

Firma: Andrew J. Petraszak  
Manager Sicurezza e Conformità Prodotto



**LT EC ATITIKTIES DEKLARACIJA**

Gamintojo pavadinimas: Briggs & Stratton Power Products Group, LLC

Adresas: Milwaukee, WI USA 53201

Gamintojo adresas: No. 65 Xinggang Rd. Zhonglou Zone, Changzhou,  
Jiangsu, China

Dokumentacijos saugotojas: Jeroen Engelen

Schepersweg 4a 6049CV Herten, NL

Mes pareiškiame, kad šis produktas

Kategorija ..... **82V ĮKROVIKLIS**

Modelis ..... **EBSRC82**

SAP numeris ..... **1760264**

Serijos numeris ..... Žr. produkto duomenų plokštelę

Gamybos metai ..... Žr. produkto duomenų plokštelę

- derinasi su aktualiomis Žemųjų įtampų direktyvos 2014/35/ES nuostatomis
- derinasi su toliau nurodytų kitų direktyvų nuostatomis –  
EMC direktyva (2014/30/EU)  
ROHS II (2011/65/ES)  
WEEE direktyva (2012/19/ES)

Mes taip pat pareiškiame, kad

- buvo atsižvelgta į šiuos Europos harmonizuotus standartus (jų dalis / straipsnius):  
EN 60335-2-29, EN 60335-1, EN 62233, EN 55014-1,  
EN 55014-2, EN 61000-3-2, EN 61000-3-3

Mes pareiškiame, kad šis produktas

Kategorija ..... **82V BATERIJA**

Modeliai ..... **EBSB2AH82, EBSB4AH82**

SAP numeriai ..... **1760514, 1760515**

- atitinka Tarybos direktyvos dėl baterijų ir akumuliatorių 2006/66/EB reikalavimus.

Mes taip pat pareiškiame, kad

- Yra pritaikyti šie Europos standartai  
IEC 62133

Vieta, data: Milwaukee, WI 15/08/2016

Parašas: Andrew J. Petraszak  
Gaminių saugos ir atitikties vadovas





**LV EC MAŠINU ATBILSTĪBAS DEKLARĀCIJA (Tulkojums no oriģinālās dokumentācijas)**

Ražotāja nosaukums: Briggs & Stratton Power Products Group, LLC

Adrese: Milwaukee, WI USA 53201

Ražošanas adrese: No. 65 Xinggang Rd. Zhonglou Zone, Changzhou,  
Jiangsu, China

Dokumentācijas turētājs: Jeroen Engelen

Schepersweg 4a 6049CV Herten, NL

Ar šo paziņojam, ka produkts

Kategorija ..... **LĀDĒTĀJS 82V**

Modelis ..... **EBSRC82**

SAP numurs ..... **1760264**

Sērijas numurs ..... Skatiet produkta datu plāksnīti

Ražošanas gads ..... Skatiet produkta datu plāksnīti

- atbilst attiecīgajiem Zemsprieguma direktīvas 2014/35/ES noteikumiem
- atbilst noteikumiem, kas minēti šādās citās direktīvās –  
EMC direktīva (2014/30/EU)  
ROHS II (2011/65/ES)  
WEEE direktīva (2012/19/ES)

Mēs arī paziņojam, ka

- ka ir ievēroti šādi Eiropas harmonizētie standarti (to daļas/ paragrāfi)  
EN 60335-2-29, EN 60335-1, EN 62233, EN 55014-1,  
EN 55014-2, EN 61000-3-2, EN 61000-3-3

Ar šo paziņojam, ka produkts

Kategorija ..... **BATERIJA 82V**

Modeļi ..... **EBSB2AH82, EBSB4AH82**

SAP numuri ..... **1760514, 1760515**

- atbilst Padomes direktīvas 2006/66/EK Direktīva par baterijām prasībām.

Mēs arī paziņojam, ka

- Ir izmantoti šādi Eiropas standarti  
IEC 62133

Vieta, datums: Milwaukee, WI 15/08/2016

Paraksts: Andrew J. Petraszak  
Produktu drošības un atbilstības vadītājs



**NL EC CONFORMITEITSVERKLARING**

Naam producent: Briggs & Stratton Power Products Group, LLC  
Adres: Milwaukee, WI USA 53201  
Adres producent: No. 65 Xinggang Rd. Zhonglou Zone, Changzhou,  
Jiangsu, China  
Houder van de documentatie: Jeroen Engelen  
Schepersweg 4a 6049CV Herten, NL

Hierbij verklaren wij dat het product

Categorie ..... **82V OPLADER**  
Model..... **EBSRC82**  
SAP-nummer ..... **1760264**  
Serienummer ..... Zie etiket productrating  
Bouwjaar ..... Zie etiket productrating

- stemt overeen met de relevante bepalingen van de Laagspanningsrichtlijn 2014/35/EU
- stemt overeen met de bepalingen van de volgende andere richtlijnen –  
EMC Richtlijn (2014/30/EU)  
ROHS II (2011/65/EU)  
WEEE-richtlijn (2012/19/EU)

En bovendien verklaren we dat

- de volgende (onderdelen/clausules van) Europese geharmoniseerde normen werden gebruikt  
EN 60335-2-29, EN 60335-1, EN 62233, EN 55014-1,  
EN 55014-2, EN 61000-3-2, EN 61000-3-3

Hierbij verklaren wij dat het product

Categorie ..... **82V ACCU**  
Modellen..... **EBSB2AH82,EBSB4AH82**  
SAP-nummers..... **1760514, 1760515**

- stemt overeen met de bepalingen van EU-richtlijn 2006/66/EG Batterijrichtlijn.

En bovendien verklaren we dat

- De volgende Europese normen werden toegepast  
IEC 62133

Plaats, datum: Milwaukee, WI 15/08/2016

Handtekening: Andrew J. Petraszak  
Productveiligheid en Compliance Manager



**NO EC-ERKLÆRING OM PRODUKTOVERENSSTEMMELSE**

Produsentnavn: Briggs & Stratton Power Products Group, LLC

Adresse: Milwaukee, WI USA 53201

Produsentens adresse: No. 65 Xinggang Rd. Zhonglou Zone, Changzhou,  
Jiangsu, China

Oppbevarer av dokumentasjon: Jeroen Engelen

Schepersweg 4a 6049CV Herten, NL

Herved erklærer vi at produktet

Kategori ..... **82V LADER**

Modell ..... **EBSRC82**

SAP-nummer ..... **1760264**

Serienummer ..... Se produktetiketten

Produksjonsår ..... Se produktetiketten

- er i samsvar med relevante bestemmelser i Lavspenningsdirektiv 2014/35/EC
- er i samsvar med bestemmelsene i følgende øvrige EC-direktiver -  
EMC-direktiv (2014/30/EU)  
Direktiv 2011/65/EU (RoHS)  
WEEE-direktiv (2012/19/EC)

I tillegg erklærer vi at

- følgende (deler/bestemmelser i) harmoniserte europeiske standarder er benyttet  
EN 60335-2-29, EN 60335-1, EN 62233, EN 55014-1,  
EN 55014-2, EN 61000-3-2, EN 61000-3-3

Herved erklærer vi at produktet

Kategori ..... **82V AKUMULATOR**

Modeller ..... **EBSB2AH82, EBSB4AH82**

SAP-nummer ..... **1760514, 1760515**

- er i samsvar med kravene til Rådskivedirektiv 2006/66/EC Batteridirektiv.

I tillegg erklærer vi at

- Følgende europeiske standarder er brukt  
IEC 62133

Sted, dato: Milwaukee, WI 15/08/2016

Signatur: Andrew J. Petraszak  
Leder for produktrygghet og samsvar



**PL DEKLARACJA ZGODNOSCI EC**

Nazwa producenta: Briggs & Stratton Power Products Group, LLC

Adres: Milwaukee, WI USA 53201

Adres zakładu produkcyjnego: No. 65 Xinggang Rd. Zhonglou Zone, Changzhou, Jiangsu, China

Posiadacz dokumentacji: Jeroen Engelen

Schepersweg 4a 6049CV Herten, NL

Niniejszym deklarujemy, że produkt

Kategoria ..... **ŁADOWARKA 82V**

Model ..... **EBSRC82**

Numer SAP ..... **1760264**

Numer seryjny ..... Zobacz tabliczkę znamionową

Rok produkcji ..... Zobacz tabliczkę znamionową

- jest zgodny z odpowiednimi przepisami dyrektywy niskonapięciowej 2014/35/UE
- jest zgodny z przepisami następujących dyrektyw –  
Dyrektywa EMC (2014/30/EU)  
ROHS II (2011/65/EU)  
Dyrektywa WEEE (2012/19/UE)

Ponadto deklarujemy, że

- zastosowano następujące zharmonizowane normy europejskie (w odpowiednim dla tego produktu zakresie):  
EN 60335-2-29, EN 60335-1, EN 62233, EN 55014-1,  
EN 55014-2, EN 61000-3-2, EN 61000-3-3

Niniejszym deklarujemy, że produkt

Kategoria ..... **AKUMULATOR 82V**

Modele ..... **EBSB2AH82, EBSB4AH82**

Numer SAP ..... **1760514, 1760515**

- jest zgodny z wymaganiami dyrektywy Rady 2006/66/WE w sprawie baterii.

Ponadto deklarujemy, że

- Zastosowano następujące normy europejskie  
IEC 62133

Miejsce, data: Milwaukee, WI 15/08/2016

Podpis: Andrew J. Petraszak

Dyrektors. bezpieczeństwa i zgodności produktu



**PT DECLARAÇÃO EC DE CONFORMIDADE**

Nome do fabricante: Briggs & Stratton Power Products Group, LLC  
Endereço: Milwaukee, WI USA 53201  
Endereço de fabrico: No. 65 Xinggang Rd. Zhonglou Zone, Changzhou,  
Jiangsu, China  
Custódia da Documentação: Jeroen Engelen  
Schepersweg 4a 6049CV Herten, NL

Pelo presente declaramos que o produto

Categoria ..... **CARREGADOR DE 82V**  
Modelo ..... **EBSRC82**  
Número SAP ..... **1760264**  
Número de série ..... Ver etiqueta de classificação do produto  
Ano de construção ..... Ver etiqueta de classificação do produto

- se encontra em conformidade com as provisões relevantes da Diretiva de Baixa Tensão 2014/35/UE
- se encontra em conformidade com as provisões das seguintes outras directivas –  
Directiva EMC (2014/30/EU)  
ROHS II (2011/65/EU)  
Directiva WEEE (2012/19/EU)

Além disso, declaramos que

- as seguintes (partes/cláusulas de) normas harmonizadas europeias foram utilizadas  
EN 60335-2-29, EN 60335-1, EN 62233, EN 55014-1,  
EN 55014-2, EN 61000-3-2, EN 61000-3-3

Pelo presente declaramos que o produto

Categoria ..... **BATERIA DE 82V**  
Modelos ..... **EBSB2AH82, EBSB4AH82**  
Números SAP ..... **1760514, 1760515**

- o produto encontra-se em conformidade com os requisitos da Diretiva do Conselho 2006/66/CE

Além disso, declaramos que

- Foram usadas as seguintes normas europeias  
IEC 62133

Local, data: Milwaukee, WI 15/08/2016

Assinatura: Andrew J. Petraszak  
Segurança do Produto e Gerente de Conformidade



**RO DECLARAȚIE DE CONFORMITATE EC PRIVIND ECHIPAMENTELE TEHNICE**

Nume producător: Briggs & Stratton Power Products Group, LLC

Adresa: Milwaukee, WI USA 53201

Adresă producător: No. 65 Xinggang Rd. Zhonglou Zone, Changzhou,  
Jiangsu, China

Deținător a documentației: Jeroen Engelen

Schepersweg 4a 6049CV Herten, NL

Prin prezenta, declarăm că produsul

Categoria ..... **ÎNCĂRCĂTOR DE 82V**

Model ..... **EBSRC82**

Număr SAP ..... **1760264**

Număr de serie ..... A se vedea eticheta de clasificare a produsului

Anul de fabricație ..... A se vedea eticheta de clasificare a produsului

- este în conformitate cu prevederile relevante ale Directivei privind Tensiunea Joasă 2014/35/EU
- este în conformitate cu prevederile următoarelor altor directive –  
Directiva EMC (2014/30/EU)  
ROHS II (2011/65/EU)  
WEEE Directiva (2012/19/EU)

Și mai mult, declarăm că au fost folosite

- următoarele (părți/clauze ale) standarde(lor) europene armonizate  
EN 60335-2-29, EN 60335-1, EN 62233, EN 55014-1,  
EN 55014-2, EN 61000-3-2, EN 61000-3-3

Prin prezenta, declarăm că produsul

Categoria ..... **ACUMULATOR DE 82V**

Modele ..... **EBSB2AH82, EBSB4AH82**

Numere SAP ..... **1760514, 1760515**

- este în conformitate cu cerințele Directivei Consiliului 2006/66/Directiva EC privind bateriile.

Și mai mult, declarăm că au fost folosite

- Au fost folosite următoarele standarde europene  
IEC 62133

Locul, data: Milwaukee, WI 15/08/2016

Semnătura: Andrew J. Petraszak  
Manager de conformitate și siguranță produs



**RU ЗАЯВЛЕНИЕ О СООТВЕТСТВИИ ТРЕБОВАНИЯМ ЕС**

Наименование производителя: Briggs & Stratton Power Products Group, LLC

Адрес: Milwaukee, WI USA 53201

Адрес производства: No. 65 Xinggang Rd. Zhonglou Zone, Changzhou,  
Jiangsu, China

Хранитель документации: Jeroen Engelen

Schepersweg 4a 6049CV Herten, NL

Настоящим мы заявляем, что данный продукт

Категория ..... **ЗАРЯДНОЕ УСТРОЙСТВО 82 В**

Модель ..... **EBSRC82**

Номер SAP ..... **1760264**

Заводско йномер ..... См. паспортную табличку продукта

Год выпуска ..... См. паспортную табличку продукта

■ соответствует положениям Директивы о низковольтном оборудовании 2014/35/EU

■ соответствует положениям следующих Директив:

Директива EMC (2014/30/EU)

Директива ROHS II (2011/65/EU)

Директива WEEE (2012/19/EU)

Кроме этого, мы заявляем, что

■ были использованы следующие части или статьи европейских согласованных стандартов

EN 60335-2-29, EN 60335-1, EN 62233, EN 55014-1,

EN 55014-2, EN 61000-3-2, EN 61000-3-3

Настоящим мы заявляем, что данный продукт

Категория ..... **АККУМУЛЯТОР 82 В**

Модели ..... **EBSB2AH82, EBSB4AH82**

Номера SAP ..... **1760514, 1760515**

■ соответствует требованиям Директивы по элементам питания 2006/66/EC.

Кроме этого, мы заявляем, что

■ были использованы следующие европейские стандарты

IEC 62133

Место, дата: Milwaukee, WI 15/08/2016

Подпись: Andrew J. Petraszak

Менеджер по обеспечению соответствия и безопасности изделий



**SK PREHLÁSENIE O ZHODE EC**

Názov výrobcu: Briggs & Stratton Power Products Group, LLC

Adresa: Milwaukee, WI USA 53201

Adresa výrobcu: No. 65 Xinggang Rd. Zhonglou Zone, Changzhou,  
Jiangsu, China

Držiteľ dokumentácie: Jeroen Engelen

Schepersweg 4a 6049CV Herten, NL

Týmto vyhlasujeme, že výrobok

Kategória ..... **AKUMULÁTOR 82V**

Model ..... **EBSRC82**

Číslo SAP ..... **1760264**

Sériové číslo ..... Pozri údajový štítok výrobku

Rok zhotovenia ..... Pozri údajový štítok výrobku

- je v zhode s príslušnými nariadeniami podľa Smernice o nízko napäťových zariadeniach 2014/35/EU
- je v zhode s nariadeniami ostatných nasledujúcich smerníc –  
Smernica EMC (2014/30/EU)  
ROHS II (2011/65/EU)  
Smernica WEEE (2012/19/EU)

A ďalej vyhlasujeme, že

- sa uplatnili (časti/paragrafy) európskych harmonizovaných noriem  
EN 60335-2-29, EN 60335-1, EN 62233, EN 55014-1,  
EN 55014-2, EN 61000-3-2, EN 61000-3-3

Týmto vyhlasujeme, že výrobok

Kategória ..... **DOBÍJAČKA 82V**

Modely ..... **EBSB2AH82, EBSB4AH82**

Čísla SAP ..... **1760514, 1760515**

- je v zhode s požiadavkami so Smernicou rady 2006/66/EC, smernicou o batériách.

A ďalej vyhlasujeme, že

- Boli použité nasledovné Európske normy  
IEC 62133

Miesto, dátum: Milwaukee, WI 15/08/2016

Podpis: Andrew J. Petraszak

Manažér pre bezpečnosť produktu a jeho zhodu





**SL** **IZJAVA EC O SKLADNOSTI**

Naziv proizvajalca: Briggs & Stratton Power Products Group, LLC

Naslov: Milwaukee, WI USA 53201

Naslov proizvodne enote: No. 65 Xinggang Rd. Zhonglou Zone, Changzhou,  
Jiangsu, China

Imetnik dokumentacije: Jeroen Engelen  
Scheppersweg 4a 6049CV Herten, NL

Izjavljamo, da je izdelek

Kategorija ..... **82V NABIJAČKA**

Model ..... **EBSRC82**

Številka SAP ..... **1760264**

Serijska številka ..... Glejte nalepko s podatki o izdelku

Leto izdelave ..... Glejte nalepko s podatki o izdelku

- izdelek je skladen z ustreznimi določbami Direktive o nizki napetosti 2014/35/EU
- izdelek je skladen z določili drugih direktiv –  
Direktiva o elektromagnetni združljivosti (2014/30/EU)  
Direktiva o omejevanju uporabe nekaterih nevarnih snovi v električni in elektronski opremi 2011/65/EU  
Direktiva o odpadni električni in elektronski opremi 2012/19/EU

In nadalje, izjavljamo, da

- so bili upoštevani naslednji evropski harmonizacijski standardi (njihovi deli/stavki)  
EN 60335-2-29, EN 60335-1, EN 62233, EN 55014-1,  
EN 55014-2, EN 61000-3-2, EN 61000-3-3

Izjavljamo, da je izdelek

Kategorija ..... **82V AKUMULÁTOR**

Modeli ..... **EBSB2AH82, EBSB4AH82**

Številke SAP ..... **1760514, 1760515**

- izdelek je skladen z določili Direktive Sveta 2006/66/ES o baterijah in akumulatorjih.

In nadalje, izjavljamo, da

- Upoštevani so bili naslednji evropski standardi  
IEC 62133

Kraj, datum: Milwaukee, WI 15/08/2016

Podpis: Andrew J. Petraszak  
Upravitelj za skladnost in varnost izdelka



**SR** **ДЕКЛАРАЦИЈА О УСАГЛАШЕНОСТИ СА ПРОПИСИМА ЕВРОПСКЕ КОМИСИЈЕ**

Назив произвођача: Briggs & Stratton Power Products Group, LLC

Адреса: Milwaukee, WI USA 53201

Адреса производње: No. 65 Xinggang Rd. Zhonglou Zone, Changzhou,  
Jiangsu, China

Лице надлежно за документацију: Jeroen Engelen

Schepersweg 4a 6049CV Herten, NL

Овим изјављујемо за следећи производ

Категорија ..... **PUNJAČ OD 82V**

Модел ..... **EBSRC82**

SAP број ..... **1760264**

Серијски број..... погледајте на лепници са називним вредностима производа

Година производње..... погледајте на лепници са називним вредностима производа

- да је усаглашен са одговарајућим одредбама Директиве о ниском напону 2014/35/EU
- да је усаглашен са одредбама следећих директива –  
Директива о електромагнетној компатибилности (EMC Directive 2014/30/EU),  
ROHS II 2011/65/EU  
Директива о електронском и електричном отпаду (WEEE Directive) 2012/19/EU

Даље изјављујемо следеће

- Примењени су следећи (делови и клаузуле) европски усклађени стандарди  
EN 60335-2-29, EN 60335-1, EN 62233, EN 55014-1,  
EN 55014-2, EN 61000-3-2, EN 61000-3-3

Овим изјављујемо за следећи производ

Категорија ..... **BATERIЈА OD 82V**

Модели ..... **EBSB2AH82, EBSB4AH82**

SAP бројеви ..... **1760514, 1760515**

- да је усаглашен са захтевима Директиве Савета о батеријама 2006/66/EC.

Даље изјављујемо следеће

- Примењени су следећи европски стандарди  
IEC 62133

Место, датум: Милвоки, Висконсин, САД 15. августа 2016. године Потпис: Andrew J. Petraszak

Руководилац за безбедност и усаглашеност производа



**SV EC-DEKLARATION ANGÅENDE ÖVERENSSTÄMMIGHET**

Tillverkarens namn: Briggs & Stratton Power Products Group, LLC

Adress: Milwaukee, WI USA 53201

Tillverkningsadress: No. 65 Xinggang Rd. Zhonglou Zone, Changzhou,  
Jiangsu, China

Dokumentationsansvarig: Jeroen Engelen

Schepersweg 4a 6049CV Herten, NL

Härmed deklarerar vi att produkten

Kategori ..... **82V LADDARE**

Modell ..... **EBSRC82**

SAP-nummer ..... **1760264**

Serienummer ..... Se märkplåten på produkten

Konstruktionsår ..... Se märkplåten på produkten

- överensstämmer med relevanta regler i lågspänningsdirektivet, Low Voltage Directive 2014/35/EU
- överensstämmer med reglerna i följande andra direktiv –  
EMC-direktiv (2014/30/EU)  
ROHS II (2011/65/EU)  
WEEE-direktiv (2012/19/EU)

Dessutom deklarerar vi att

- följande (delar/klausuler av) europeiska harmoniserade standarder har tillämpats  
EN 60335-2-29, EN 60335-1, EN 62233, EN 55014-1,  
EN 55014-2, EN 61000-3-2, EN 61000-3-3

Härmed deklarerar vi att produkten

Kategori ..... **82V BATTERI**

Modeller ..... **EBSB2AH82, EBSB4AH82**

SAP-nummer ..... **1760514, 1760515**

- överensstämmer med kraven i batteridirektivet, Council Directive 2006/66/EC Battery Directive.

Dessutom deklarerar vi att

- Följande europeiska standarder har använts  
IEC 62133

Ort, datum: Milwaukee, WI 15/08/2016

Signatur: Andrew J. Petraszak  
Product Safety and Compliance Manager  
(ansvarig för produktsäkerhet och överensstämmelse)



**TR EC UYGUNLUK BEYANI**

Üretici Adı: Briggs & Stratton Power Products Group, LLC

Adres: Milwaukee, WI USA 53201

Üretici Adresi: No. 65 Xinggang Rd. Zhonglou Zone, Changzhou,  
Jiangsu, China

Belge Sahibi: Jeroen Engelen

Schepersweg 4a 6049CV Herten, NL

İşbu belge ile bu ürünün

Kategori ..... **82V ŞARJ CİHAZI**

Mod I ..... **EBSRC82**

SAP Numarası ..... **1760264**

Seri numarası ..... Ürün derecelendirme etiketine bakın

Yapım yılı ..... Ürün derecelendirme etiketine bakın

- 2014/35/EU sayılı Düşük Voltaj Direktifi'nin ilgili hükümlerine uygun olduğunu beyan ediyoruz
- aşağıdaki diğer direktiflerin hükümlerine uygun olduğunu beyan ediyoruz –  
EMU Direktifi (2014/30/EU)  
ROHS II (2011/65/EU)  
AEEE Direktifi (2012/19/EU)

Bunun yanı sıra aşağıdaki belgelerle uygunluğunu beyan ediyoruz:

- Aşağıdaki Avrupa uyumlaştırılmış standartları (kısımları/maddeleri) kullanılmıştır  
EN 60335-2-29, EN 60335-1, EN 62233, EN 55014-1,  
EN 55014-2, EN 61000-3-2, EN 61000-3-3

İşbu belge ile bu ürünün

Kategori ..... **82V BATARYA**

Modeller ..... **EBSB2AH82, EBSB4AH82**

SAP Numaraları ..... **1760514, 1760515**

- Konsey Direktifi 2006/66/EC Pil Direktifi gereklilikleri ile uyumlu olduğunu beyan ediyoruz.

Bunun yanı sıra aşağıdaki belgelerle uygunluğunu beyan ediyoruz:

- Aşağıdaki Avrupa standartları kullanılmıştır  
IEC 62133

Yer, tarih: Milwaukee, WI 15/08/2016

İmza: Andrew J. Petraszak  
Ürün Güvenliği ve Uyum Yöneticisi



**UK** **ДЕКЛАРАЦІЯ ЩОДО СУМІСНОСТІ НОРМАМ ЄС**

Назва виробника: Briggs & Stratton Power Products Group, LLC

Адреса: Milwaukee, WI USA 53201

Адреса виробництва: No. 65 Xinggang Rd. Zhonglou Zone, Changzhou,  
Jiangsu, China

Держатель документів: Jeroen Engelen

Schepersweg 4a 6049CV Herten, NL

Цим ми заявляємо, що виріб

Категорія ..... **ЗАРЯДНИЙ ПРИСТРІЙ 82В**

Модель I ..... **EBSRC82**

Номер SAP ..... **1760264**

Серійний номер ..... Див. на таблиці з технічними даними

Рік виробництва ..... Див. на таблиці з технічними даними

- відповідає відповідним положенням Директиви з низьковольтного електрообладнання 2014/35/EU
- відповідає відповідним положенням таких директив —  
Директива щодо електромагнітної сумісності (2014/30/EU)  
Директива щодо обмеження шкідливих речовин ROHS II 2011/65/EU  
Директива WEEE 2012/19/EU

А також ми заявляємо, що

- Були використані наступні (частини/статті) Європейські гармонізовані стандарти  
EN 60335-2-29, EN 60335-1, EN 62233, EN 55014-1,  
EN 55014-2, EN 61000-3-2, EN 61000-3-3

Цим ми заявляємо, що виріб

Category ..... **АКУМУЛЯТОР 82В**

Моделі ..... **EBSB2AH82, EBSB4AH82**

Номери SAP ..... **1760514, 1760515**

- відповідає вимогам Директиви Ради ЄС 2006/66/Директиви ЄС щодо акумуляторів.

А також ми заявляємо, що

- Були використані такі європейські стандарти  
IEC 62133

Місце, дата: Milwaukee, WI 15/08/2016

Підпис: Andrew J. Petraszak

Менеджер із безпеки та відповідності товарів



Not for Reproduction



**Briggs & Stratton Power Products Group, LLC  
Milwaukee, WI U.S.A.**

**TOLL-FREE HELPLINE: 1-800-317-7833**