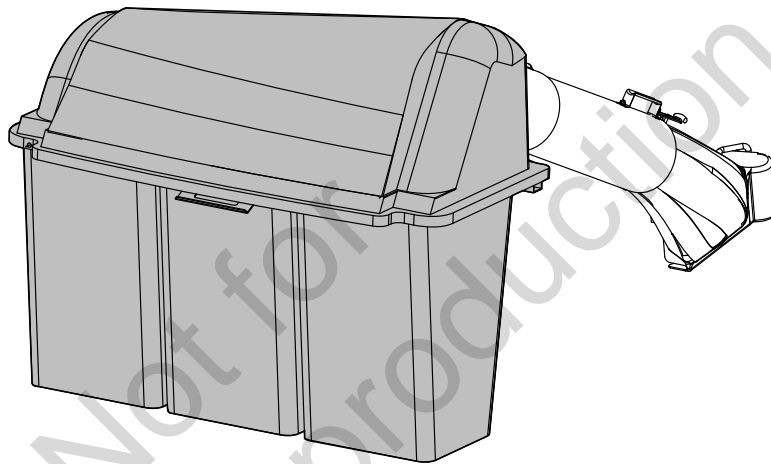
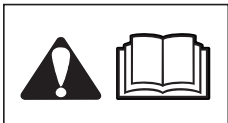


ATTACHMENT OPERATOR'S MANUAL



1697359A-00 Clean Sweep Triple Grass Catcher for Regent™ Tractors



Manual Contents:

Operator Safety.....2
 Hardware and Parts Identification.....4
 Assembly.....5
 Operation.....6
 Removal.....6
 Storage.....6
 Warranty.....7

General Information

The illustrations in this document are representative. Your unit may vary from the images displayed. *LEFT* and *RIGHT* are referenced from the operator's position.




All packaging, used oil, and batteries should be recycled according to applicable government regulations.

All language translations of this document are derived from the original English source file.


Operator Safety

Safety Alert Symbol and Signal Words

The safety alert symbol  is used to identify safety information about hazards that can result in personal injury. A signal word (**DANGER, WARNING, or CAUTION**) is used with the alert symbol to indicate the likelihood and potential severity of injury. In addition, a hazard symbol may be used to represent the type of hazard.



 **DANGER** indicates a hazard which, if not avoided, will result in death or serious injury.




 **WARNING** indicates a hazard which, if not avoided, could result in death or serious injury.

 **CAUTION** indicates a hazard which, if not avoided, could result in minor or moderate injury.

NOTICE indicates an action that could result in damage to the product.

Hazard Symbols and Meanings

Symbol	Meaning
	Safety information about the hazards that can result in personal injury.
	Read the directions for use of the product before operating.

	Keep hands and feet away from deck.
	Thrown object hazard.
	Roll over hazard.



Failure to read and follow the safety warnings and instructions in this document and in the tractor operator's manual could result in death, serious injury, and/or property damage.

The warnings and instructions must be read, understood, and followed when setting-up, operating, servicing, transporting, or storing the unit.

WARNING

- DO NOT operate the unit without either the entire grass catcher or the deflector in place.
- Turn off the PTO to disengage the blades when not mowing.
- DO NOT mow in reverse unless absolutely necessary. Always look down and behind before and while traveling in reverse.

WARNING

Amputation or Laceration Hazard

- If the mower stalls or the collection system plugs, disengage the electric clutch (PTO), stop the engine and remove the key. Set the parking brake. Wait for moving parts to stop. Remove the foreign object or clear the chute with a piece of wood before restarting the engine. Never place hands into the blower housing to clear a jammed object.
- Disengage the electric clutch (PTO). Shut off the engine, remove the key, and wait for all moving parts to stop before attaching, adjusting, or disconnecting any part of the collection system.
- DO NOT make adjustments or repairs while the engine is running or blades are moving.
- DO NOT not place hands or feet near rotating parts.



WARNING

Thrown Objects Hazard

Do not open the cover while the blades are turning.

- Check the collection system to make sure it is bolted tightly to the unit.
- Collector bags are subject to deterioration and wear during normal use. Inspect the bag periodically for tears, holes, or weak spots and replace with a new bag that meets manufacturer's durability standards.



WARNING

Loss of Control, Roll-over and Tipping Hazard

- Use a reduced speed on uneven ground and when turning corners.
- Reduce loads on hillsides. It is recommended that the collection system be kept only half full when mowing any slope. Start mowing on slopes when the collection system is empty.
- Mow on the face of slopes as directed in the operator's manual and safety warnings on the product.
- Never operate on slopes greater than 17.6% (10°).
- Select a slow ground speed before driving onto a slope. Avoid using brakes to control speed.
- Use caution when changing directions and DO NOT start or stop the tractor while on a slope.

Safety Decals

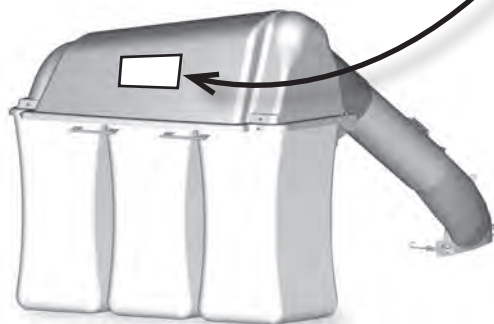
Before operating the grass catcher, read and understand the installed safety decals. The decals are provided to help you avoid personal injury or damage to the product.

If any safety decals become damaged or illegible, order replacements from your local authorized dealer.

Decal - WARNING

Thrown Objects Hazard

Part Number - 7104709



Decal Icon Definitions



WARNING: Thrown objects hazard. Objects thrown by the mower can seriously injure or kill you.



Do not open the hopper while the mower blades are turning. Do not operate the mower without the complete catcher in place.

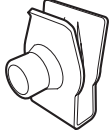


Keep a safe distance. Keep children away.

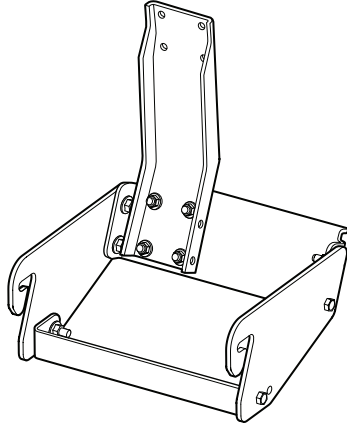
Hardware and Parts Identification

- Upper case letters identify the hardware and parts in the kit.
- Lower case letters identify the existing hardware and parts assembled before the start of the installation.

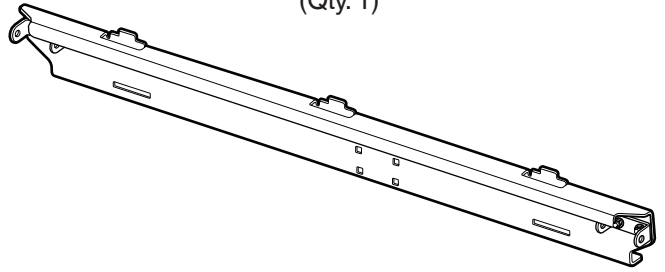
A - NUT, Speed
.3125" - 18 (Qty. 2)



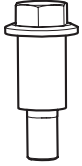
C - HITCH ASSEMBLY
(Qty. 1)



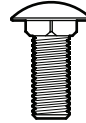
D - CROSS SUPPORT
(Qty. 1)



B - BOLT, Shoulder
.3125" - 18 x 1.625" (Qty. 2)



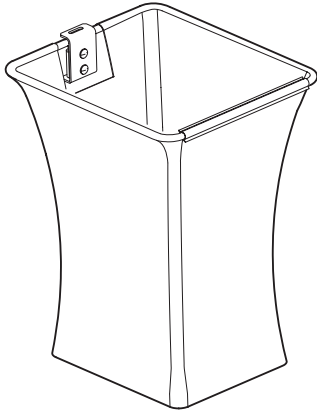
E - BOLT
.375" - 16 x 1.0" (Qty. 4)



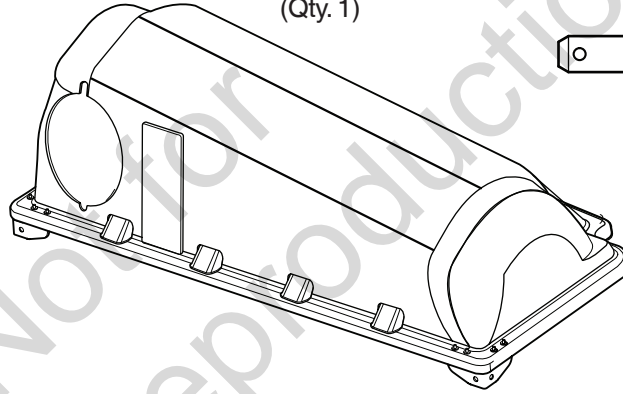
F - NUT, Flange
.375" - 16 (Qty. 4)



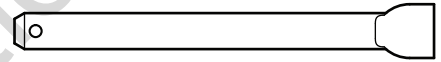
G - CATCHER BAG
(Qty. 3)



H - COVER ASSEMBLY
(Qty. 1)



I - PIN, Cover
.375" x 3.75" (Qty. 2)



J - HAIR PIN
.091" x 1.875" (Qty. 2)



Assembly

WARNING

Disengage the electric clutch (PTO). Shut off the engine, remove the key, and wait for all moving parts to stop before attaching, adjusting, or disconnecting any part of the collection system.

Install the Hitch Assembly

1. Install the speed nuts (**A**, Figure 1) in the square holes of the rear frame support (**a**). The threaded side is on the inside of frame support.
2. Install the shoulder bolts (**B**) into the speed nuts.

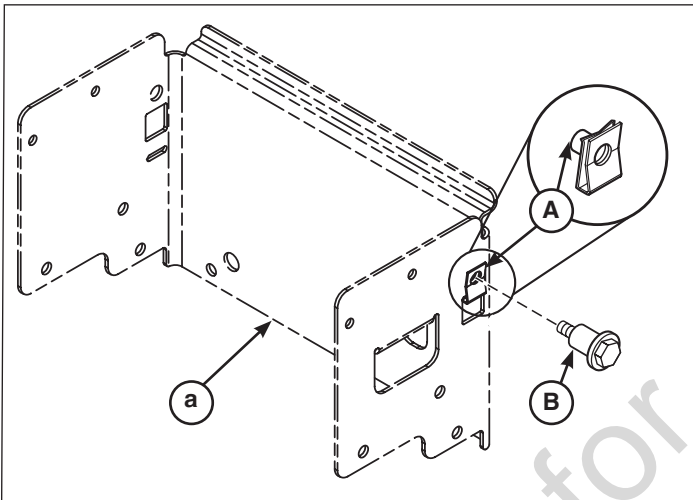


Figure 1

3. Put the hitch assembly (**C**, Figure 2) onto the shoulder bolts.

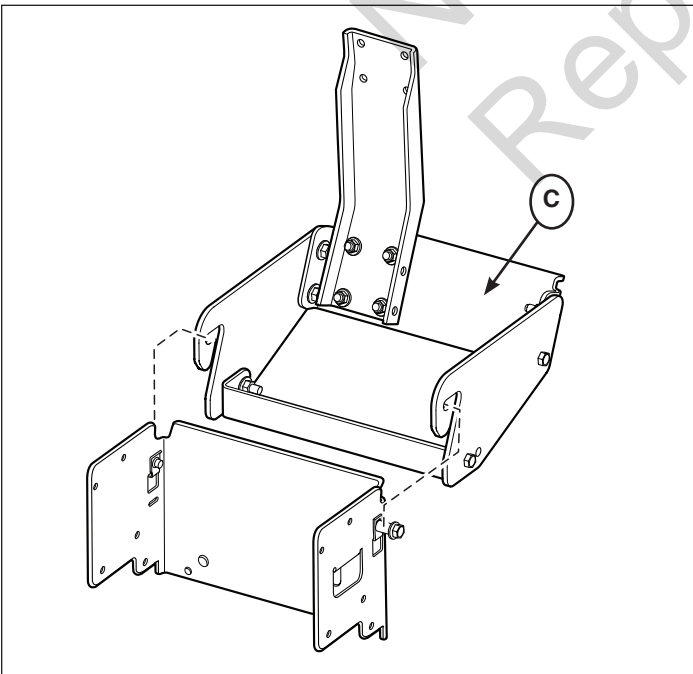


Figure 2

Install the Catcher Bags and Cover

1. Attach the cover support (**D**, Figure 3) onto the hitch assembly with the bolts (**E**) and nuts (**F**).

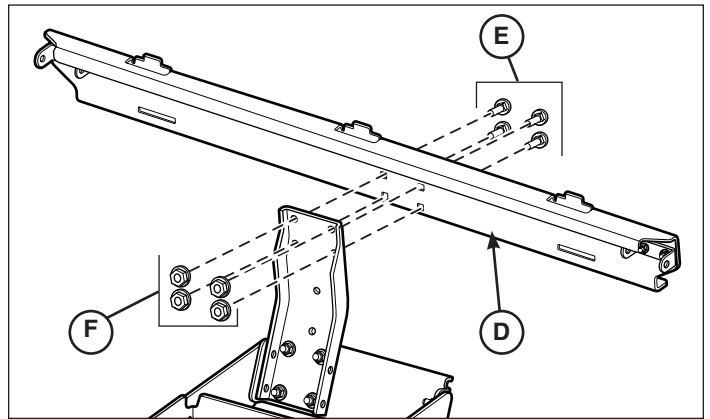


Figure 3

2. Attach the catcher bags (**G**, Figure 4) to the tabs (**a**) on the cross support.

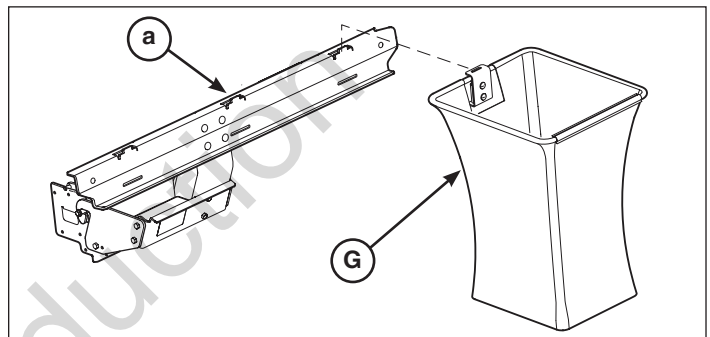


Figure 4

3. Put the corner brackets (**a**, Figure 5) on the cover assembly (**H**) on the pivot hinges (**b**). Install the hinge pins (**I**) and hair pins (**J**).

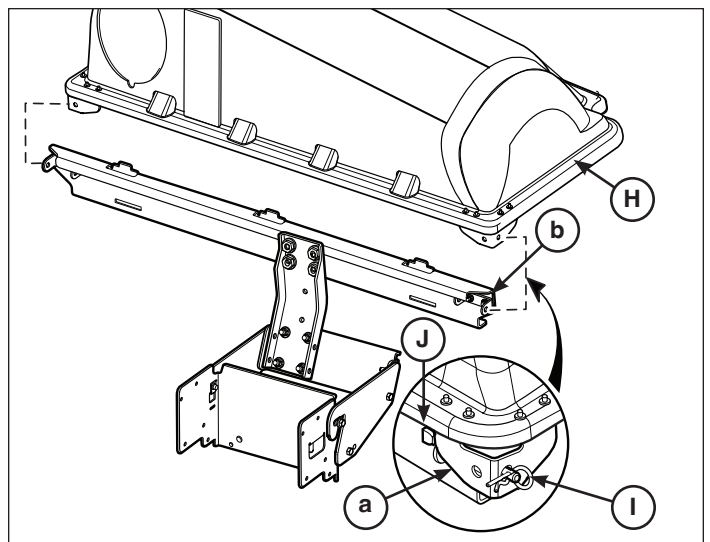


Figure 5

Install the Catcher Boot Kit / Turbo Kit

WARNING

- DO NOT operate the unit without either the entire grass catcher or the deflector in place.

Install the catcher boot kit or turbo kit (supplied separately) designed for the mower deck on your rider. Refer to the catcher boot kit or turbo kit manual.

Operation

WARNING

Disengage the electric clutch (PTO). Shut off the engine, remove the key, and wait for all moving parts to stop before attaching, adjusting, or disconnecting any part of the collection system.

Before Operation

Remove all sticks, stones, or other debris, which can get caught or thrown by the mower blades.

For best results, mow when the grass is dry. Wet grass can clump and block the mower and grass catcher.

BEFORE YOU BEGIN MOWING, make sure the bottom of the mower and the bottom of the catcher cover are clear of grass and debris.

For satisfactory grass collection, air circulation from the mower deck, through the chute, and into the grass catcher is very important.

Make sure there are tight connections between the mower deck, turbo housing, tubes, and grass catcher cover.

Mowing with the Catcher

Always operate the riding mower with the throttle at full speed.

If grass is long, slow the ground speed and cut half the width of the mower to prevent blockage. Another method is to cut once with the deck in a high setting and then cut again with the deck in a low setting.

Do not open the cover with the mower engaged.

If a large amount of cut grass ejects from the bottom of the deck, the tube may be blocked or the bags may be full. Stop the rider, disengage the PTO, stop the engine and then empty the catcher or remove the blockage from the tube.

Recommended Accessories

Use front counterweights if operating on slopes when a rear attachment is installed. Two rear wheel weights can also be added. Never operate on slopes greater than 17.6% (10°).

Removal

WARNING

For operation without the catcher, the side discharge deflector on the mower deck **MUST** be properly installed in the down position and retained by the spring latch.

WARNING

- DO NOT operate the unit without either the entire grass catcher or the deflector in place.

Remove the Catcher

1. Lift the cover up and remove and empty the bags.
2. Remove the hair pins and the hinge pins. Remove the cover.
3. Remove the hitch and the frame assembly from the rear of the tractor.

Remove the Catcher Boot Kit / Turbo Kit

Refer to the catcher boot kit or turbo kit manual.

Storage

Clean the grass catcher with a mild detergent. Remove debris from the screen on the bottom of the lid.

If paint is scratched on metal parts, paint the parts again, or apply a thin layer of oil to prevent corrosion.

Keep in a dry area. Dry fully before long term of storage. Always store away from moisture.

BRIGGS & STRATTON® PRODUCTS WARRANTY POLICY

LIMITED WARRANTY

Briggs & Stratton warrants that, during the warranty period specified below, it will repair or replace, free of charge, any part that is defective in material or workmanship or both. Transportation charges on product submitted for repair or replacement under this warranty must be borne by purchaser. This warranty is effective for and is subject to the time periods and conditions stated below. For warranty service, find the nearest Authorized Service Dealer in our dealer locator map at briggsandstratton.com. The purchaser must contact the Authorized Service Dealer, and then make the product available to the Authorized Service Dealer for inspection and testing.

There is no other express warranty. Implied warranties, including those of merchantability and fitness for a particular purpose, are limited to the warranty period listed below, or to the extent permitted by law. Liability for incidental or consequential damages are excluded to the extent exclusion is permitted by law. Some states or countries do not allow limitations on how long an implied warranty lasts, and some states or countries do not allow the exclusion or limitation of incidental or consequential damages, so the above limitation and exclusion may not apply to you. This warranty gives you specific legal rights and you may also have other rights which vary from state to state or country to country.**

WARRANTY PERIOD

Item	Consumer Use	Commercial Use
Accessory/Attachment	12 months	None

** In Australia - Our goods come with guarantees that cannot be excluded under the Australian Consumer Law. You are entitled to a replacement or refund for a major failure and for compensation for any other reasonably foreseeable loss or damage. You are also entitled to have the goods repaired or replaced if the goods fail to be of acceptable quality and the failure does not amount to a major failure. For warranty service, find the nearest Authorized Service Dealer in our dealer locator map at BRIGGSandSTRATTON.COM, or by calling 1300 274 447, or by emailing or writing to salesenquires@briggsandstratton.com.au, Briggs & Stratton Australia Pty Ltd, 1 Moorebank Avenue, NSW, Australia, 2170.

The warranty period begins on the date of purchase by the first retail or commercial consumer. "Consumer use" means personal residential household use by a retail consumer. "Commercial use" means all other uses, including use for commercial, income producing or rental purposes. Once a product has experienced commercial use, it shall thereafter be considered as a commercial use product for purposes of this warranty.

To ensure prompt and complete warranty coverage, register your product at the website shown above or at www.onlineproductregistration.com.

Save your proof of purchase receipt. If you do not provide proof of the initial purchase date at the time warranty service is requested, the manufacturing date of the product will be used to determine the warranty period. Product registration is not required to obtain warranty service on Briggs & Stratton products.

ABOUT YOUR WARRANTY

Warranty service is available only through Briggs & Stratton Authorized Service Dealers. Most warranty repairs are handled routinely, but sometimes requests for warranty service may not be appropriate. This warranty covers only defects in materials or workmanship. It does not cover damage caused by improper use or abuse, improper maintenance or repair, or normal wear and tear.

Improper Use and Abuse - The proper, intended use of this product is described in the Operator's Manual. Using the product in a way not described in the Operator's Manual or using the product after it has been damaged will not be covered under this warranty. Warranty coverage will also not be provided if the serial number on the product has been removed or the product has been altered or modified in any way, or if the product has evidence of abuse such as impact damage or water/chemical corrosion damage.

Improper Maintenance or Repair - This product must be maintained according to the procedures and schedules provided in the Operator's Manual, and serviced or repaired using genuine Briggs & Stratton parts or equivalent. Damage caused by lack of maintenance or use of non-original parts is not covered by warranty.

Normal Wear and Tear - Like most mechanical devices, your unit is subject to wear even when properly maintained. This warranty does not cover repairs when normal use has exhausted the life of a part or the equipment. Maintenance and wear items such as filters, belts, cutting blades, and brake pads (except engine brake pads) are not covered by warranty due to wear characteristics alone, unless the cause is due to defects in material or workmanship.

Other Exclusions - This warranty excludes damage due to accident, abuse, modifications, alterations, improper servicing, freezing or chemical deterioration. Attachments or accessories that were not originally packaged with the product are also excluded. This warranty does not include used, reconditioned, second-hand, or demonstration equipment or engines. This warranty also excludes failures due to acts of God and other force majeure events beyond the manufacturer's control.

Not for
Reproduction