



Parts Manual

Mfg. No: 1696771-00
SXDST82, 82V Battery Electric String
Trimmer



1696891-00 - Cultivator, 82V Battery Electric Attachment.
1696899-00 - Brush Cutter, 82V Battery Electric Attachment.
1696895-00 - Hedge Trimmer, 82V Battery Electric Attachment.
1696893-00 - Pole Saw, 82V Battery Electric Attachment.
1697211-00 - Edger, 82V Battery Electric Attachment.

Not For
Reproduction

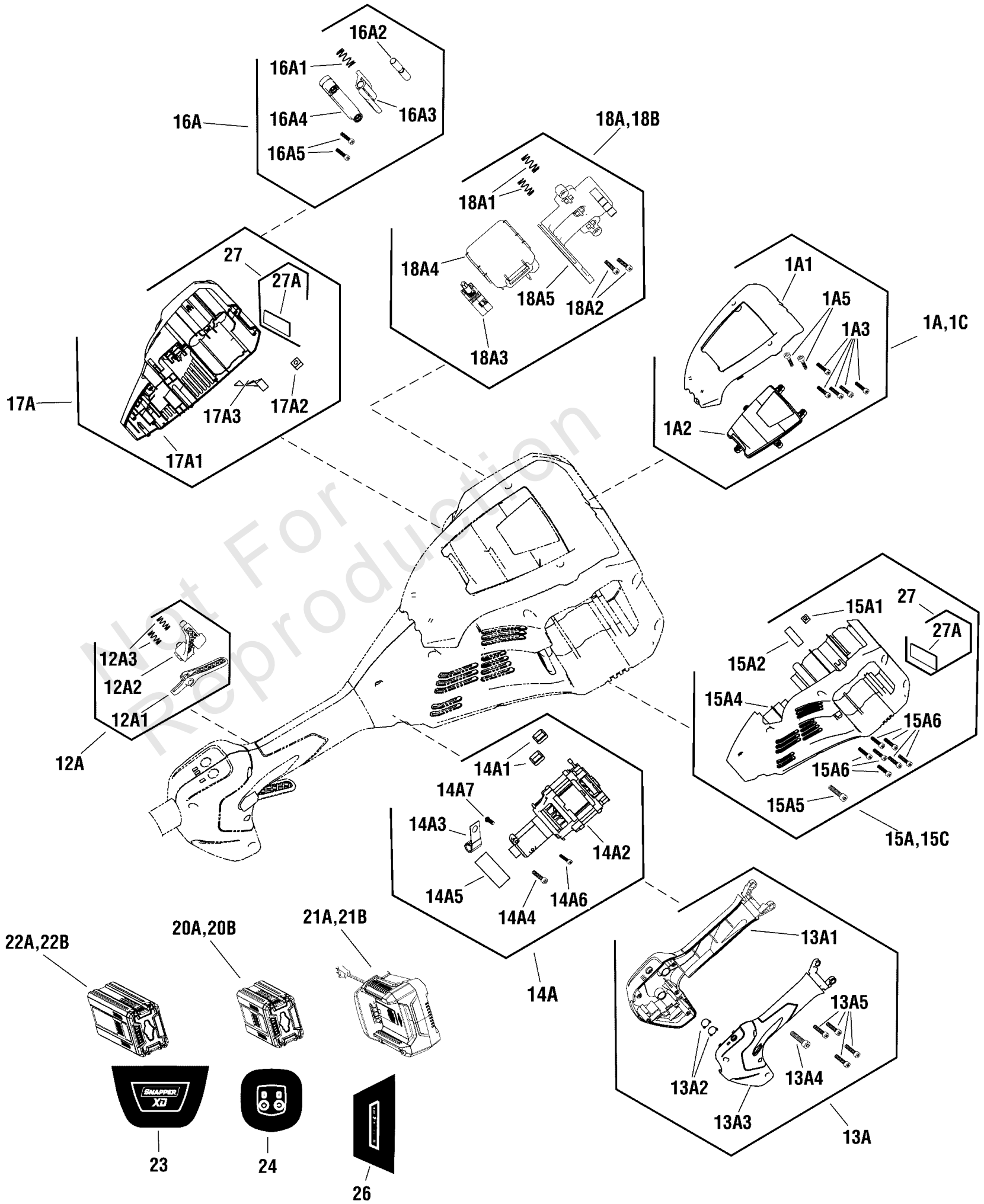
Model Components	Page
PowerHead Group - String Trimmer.....	4
Shaft & Bumphead Group.....	8
Torque Specification Chart.....	10

Not For
Reproduction

PowerHead Group - String Trimmer

Note: Unless noted otherwise, use the standard torque specifications

Mfg. No: 1696771-00



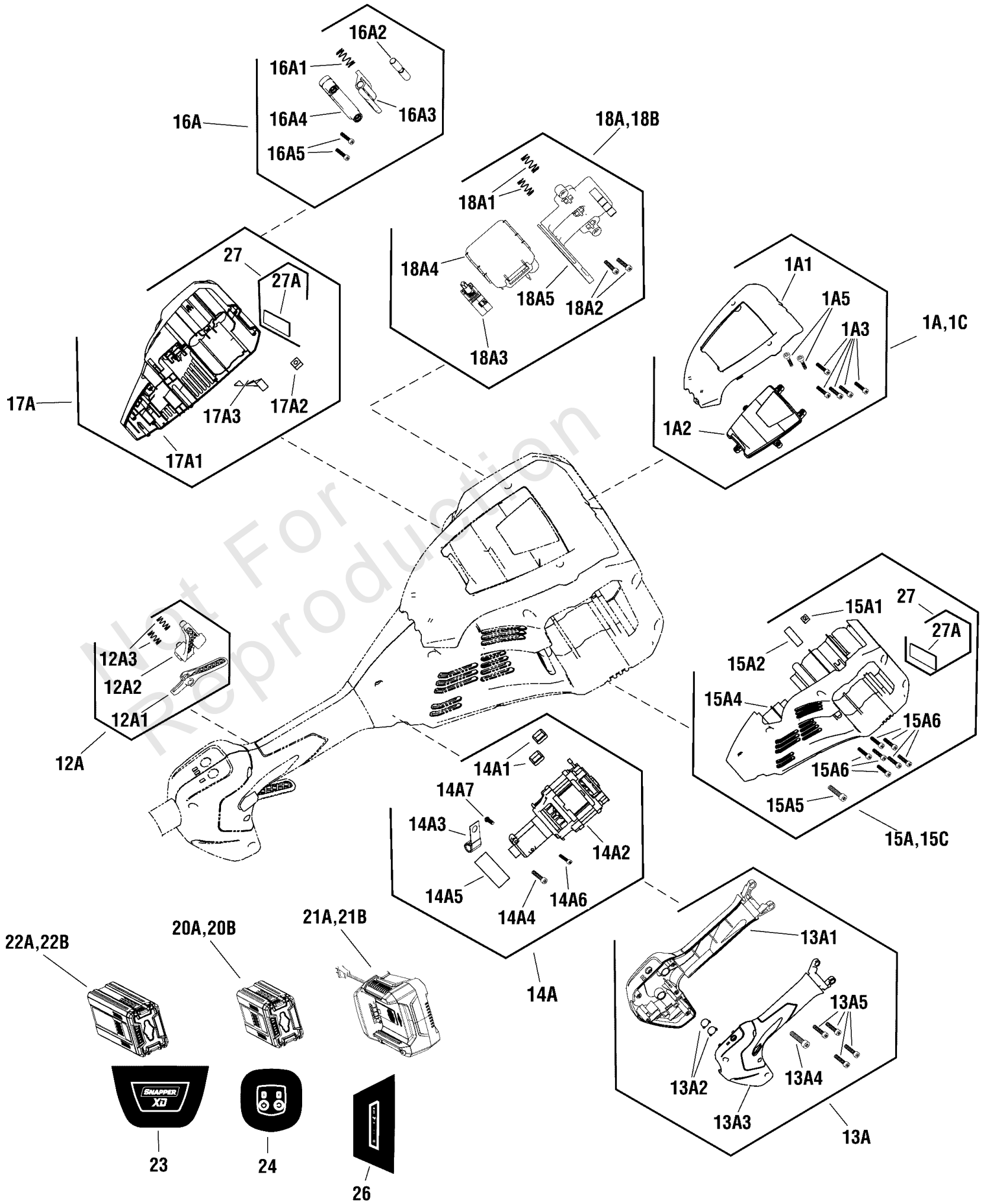
PowerHead Group - String Trimmer

REF NO	PART NO	QTY	DESCRIPTION
1A	770148	1	KIT, TOP COVER, NA
1C	770405	1	KIT, TOP COVER, EU
1A1	-----	1	COVER, DECORATIVE
1A2	-----	1	COVER, Battery
1A3	-----	5	SCREW
1A5	-----	2	SCREW
12A	770159	1	KIT, SWITCH AND LOCK-OUT BUTTON
12A1	-----	1	TRIGGER SWITCH
12A2	-----	1	BUTTON, LOCK-OUT
12A3	-----	1	SPRING, Torsion
13A	770160	1	KIT, LEFT HANDLE, NA & EU
13A1	-----	1	HOUSING, RIGHT HANDLE
13A2	84003524	1	KIT, BUTTON, ON/OFF -(Kit contains 2)
13A3	-----	1	HOUSING, LEFT HANDLE
13A4	-----	1	SCREW
13A5	-----	4	SCREW
14A	770162	1	KIT, MOTOR
14A1	-----	2	BRACKET
14A2	-----	1	MOTOR
14A3	-----	1	CLIP
14A4	-----	1	SCREW
14A5	-----	1	BRACKET
14A6	-----	1	SCREW
14A7	-----	1	SCREW
15A	770163	1	KIT, LEFT HOUSING, NA
15C	770413	1	KIT, LEFT HOUSING, EU
15A1	-----	1	BOLT
15A2	-----	1	BRACKET
15A4	-----	1	MOTOR HOUSING
15A5	-----	1	SCREW
15A6	-----	7	SCREW
16A	770164	1	KIT, BATTERY RELEASE BUTTON
16A1	-----	1	SPRING
16A2	84003410	1	PIN. ROLL
16A3	-----	1	BUTTON, Battery Releasee
16A4	-----	1	BRACKET
16A5	-----	2	SCREW
27A	-----	1	PROTECTIVE COVER DECAL, CLEAR
17A	770165	1	KIT, RIGHT HOUSING
17A1	-----	1	MOTOR HOUSING
17A2	-----	1	SCREW
17A3	-----	1	BRACKET
27	770549	1	KIT, PROTECTIVE COVER DECAL, CLEAR
27A	-----	1	PROTECTIVE COVER DECAL, CLEAR
18A	770166	1	KIT, PCB, NA
18B	770414	1	KIT, PCB, EU & AU
18A1	-----	2	SPRING
18A2	-----	2	SCREW
18A3	84003405	1	SWITCH
18A4	-----	1	PCB

PowerHead Group - String Trimmer

Note: Unless noted otherwise, use the standard torque specifications

Mfg. No: 1696771-00



PowerHead Group - String Trimmer

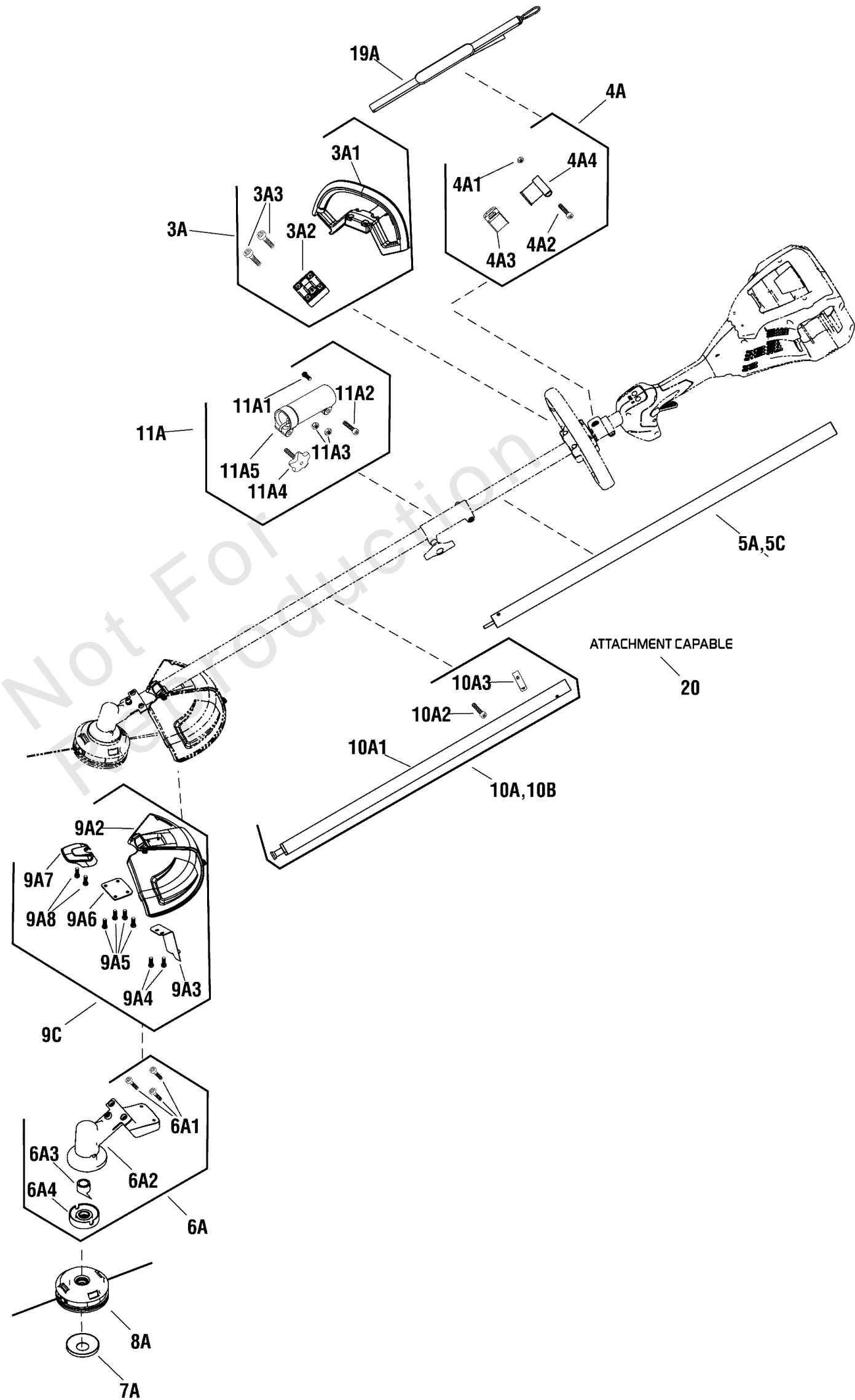
REF NO	PART NO	QTY	DESCRIPTION
18A5	-----	1	BRACKET
20A	1760266	1	* BATTERY, 2.0, 82V NA -(Option)
20B	1760514	1	* BATTERY, 2.0, 82V EU/AU -(Option)
21A	1760263	1	* CHARGER, Battery, NA -(Option)
21B	1760264	1	* CHARGER, Battery, EU -(Option)
22A	1760265	1	* BATTERY, 4.0, 82V NA -(Option)
22B	1760515	1	* BATTERY, 4.0, 82V EU/AU -(Option)
23	770487	1	DECAL, SNAPPER XD SHROUD
24	770789	1	DECAL, CONTROL
26	770496	1	DECAL, Charger

Not For Reproduction

Shaft & Bumphead Group

Note: Unless noted otherwise, use the standard torque specifications

Mfg. No: 1696771-00



Shaft & Bumphead Group

REF NO	PART NO	QTY	DESCRIPTION
3A	770150	1	KIT, AUXILARY HANDLE
3A1	-----	1	HANDLE, Auxiliary
3A2	-----	1	COVER, Handle
3A3	-----	4	SCREW
4A	770151	1	KIT, HARNESS CLAMP
4A1	-----	1	NUT
4A2	-----	1	SCREW
4A3	-----	1	CLAMP, HARNESS
4A4	-----	1	CLIP
5A	770157	1	KIT, TOP SHAFT, NA
5C	770410	1	KIT, TOP SHAFT, EU & AU
6A	770152	1	KIT, Gear Box
6A1	-----	3	SCREW
6A2	-----	1	GEARBOX
6A3	84003526	1	BUSHING
6A4	84003527	1	COVER, Gearbox
7A	770154	1	COVER, Bumphead
8A	770155	1	BUMPHEAD
9C	770383	1	KIT, Guard
9A2	-----	1	GUARD
9A3	-----	1	BLADE
9A4	-----	2	SCREW
9A5	-----	4	BOLT
9A6	-----	1	BRACKET
9A7	-----	1	COVER, Guard
9A8	-----	2	SCREW
10A	770153	1	KIT, Shaft
10B	770407	1	KIT, SHAFT
10A1	-----	1	SHAFT
10A2	-----	1	SCREW
10A3	-----	1	CLIP
11A	770158	1	KIT, COUPLING
11A1	-----	1	BOLT
11A2	-----	1	SCREW
11A3	-----		NUT
11A4	84003525	1	HANDLE, RELEASE
11A5	-----	1	COUPLING
19A	770167	1	KIT. HARNESS
20	770488	1	DECAL, ATTACHMENT
--	770294	1	REMOTE BELT FOR BATTERY -(Not Shown)

Hardware Identification & Torque Specifications

Torque Specification Chart								
FOR STANDARD METRIC MACHINE HARDWARE (Tolerance ± 20%)								
Property Class	5.6		8.8		10.9		12.9	
	Class 5.6		Class 8.8		Class 10.9		Class 12.9	
Size Of Hardware	in/lbs	Nm.	in/lbs	Nm.	in/lbs	Nm.	in/lbs	Nm.
	ft/lbs		ft/lbs		ft/lbs		ft/lbs	
M3	5.88	.56	13.44	1.28	19.2	1.80	22.92	2.15
M4	13.44	1.28	30.72	2.90	43.44	4.10	52.56	4.95
M5	26.4	2.50	60.96	5.75	5.97	8.10	7.15	9.7
M6	44.64	4.3	7.3	9.9	10.3	14	12.1	16.5
M7	5.2	7.1	12.1	16.5	16.9	23	19.9	27
M8	7.7	10.5	17.7	24	25	34	29	40
M10	15	21	35	48	50	67	59	81
M12	26	36	61	83	86.2	117	103	140
M14	42	58	101	132	136	185	162	220
M16	64	88	147	200	210	285	250	340
M18	89	121	202	275	287	390	346	470
M20	126	171	290	390	405	550	486	660
M22	169	230	390	530	559	745	656	890
M24	217	295	497	375	708	960	840	1140
M27	320	435	733	995	1032	1400	1239	1680
M30	435	590	995	1350	1401	1900	1681	2280
M33	590	800	1349	1830	1902	2580	2278	3090
M36	759	1030	1740	2360	2441	3310	2935	3980
M39	988	1340	2249	3050	3163	4290	3798	5150

Torque Specification Chart						
FOR STANDARD MACHINE HARDWARE (Tolerance ± 20%)						
Hardware Grade	No Marks		SAE Grade 5		SAE Grade 8	
	SAE Grade 2		SAE Grade 5		SAE Grade 8	
Size Of Hardware	in/lbs	Nm.	in/lbs	Nm.	in/lbs	Nm.
	ft/lbs		ft/lbs		ft/lbs	
8-32	19	2.1	30	3.4	41	4.6
8-36	20	2.3	31	3.5	43	4.9
10-24	27	3.1	43	4.9	60	6.8
10-32	31	3.5	49	5.5	68	7.7
1/4-20	66	7.6	8	10.9	12	16.3
1/4-28	76	8.6	10	13.6	14	19.0
5/16-18	11	15.0	17	23.1	25	34.0
5/16-24	12	16.3	19	25.8	29	34.0
3/8-16	20	27.2	30	40.8	45	61.2
3/8-24	23	31.3	35	47.6	50	68.0
7/16-14	30	40.8	50	68.0	70	95.2
7/16-20	35	47.6	55	74.8	80	108.8
1/2-13	50	68.0	75	102.0	110	149.6
1/2-20	55	74.8	90	122.4	120	163.2
9/16-12	65	88.4	110	149.6	150	204.0
9/16-18	75	102.0	120	163.2	170	231.2
5/8-11	90	122.4	150	204.0	220	299.2
5/8-18	100	136	180	244.8	240	326.4
3/4-10	160	217.6	260	353.6	386	525.0
3/4-16	180	244.8	300	408.0	420	571.2
7/8-9	140	190.4	400	544.0	600	816.0
7/8-14	155	210.8	440	598.4	660	897.6
1-8	220	299.2	580	788.8	900	1,244.0
1-12	240	326.4	640	870.4	1,000	1,360.0

The guides and ruler furnished below are designed to help you select the appropriate hardware.

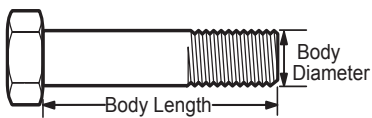


Nut, M8

Thread Diameter (mm)

Inside Diameter (in) Threads per inch

Nut, 1/2-16

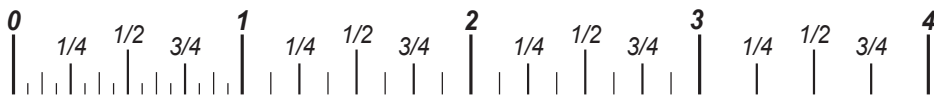


Screw, M8- 1.25 x 25

Thread Diameter (mm) Distance between threads (mm) Body Length (mm)

Body Diameter Threads per inch Body Length (in)

Screw, 1/2- 16 x 2



Standard Hardware Sizing

When a washer or nut is identified as 1/2" (M8), this is the *Nominal size*, meaning the *inside diameter* is 1/2 inch (8mm metric thread diameter); if a second number is present it represents the *threads per inch* (distance between threads).

When bolt or capscrew is identified as 1/2 - 16 x 2" (M8 - 1.25 x 50), this means the *Nominal size*, or body diameter is 1/2 inch (8mm metric thread diameter), the second number, 16, represents the *threads per inch*, (*distance between threads*). The final number is the body length of the bolt or screw, 2 inches (50mm).

NOTES

- These torque values are to be used for all hardware excluding: locknuts, self-tapping screws, thread forming screws, sheet metal screws and socket head setscrews.
- Recommended seating torque values for locknuts:
 - for prevailing torque locknuts - use 65% of grade 5 torques.
 - for flange whizlock nuts and screws - use 135% of grade 5 torques.
- Unless otherwise noted on assembly drawings, all torque values must meet this specification.

Common Hardware Types

Hex Head Capscrew



Washer



Carriage Bolt



Hex Nut

Wrench & Fastener Size Guide

1/4" Bolt or Nut Wrench—7/16"	5/16" Bolt or Nut Wrench—1/2"	3/8" Bolt or Nut Wrench—9/16"	7/16" Bolt or Nut Wrench (Bolt)—5/8" Wrench (Nut)—11/16"	1/2" Bolt or Nut Wrench—3/4"
M6 Bolt or Nut Wrench—10mm	M8 Bolt or Nut Wrench—13mm	M10 Bolt or Nut Wrench—17mm	M12 Bolt or Nut Wrench—19mm	M14 Bolt or Nut Wrench—22mm

