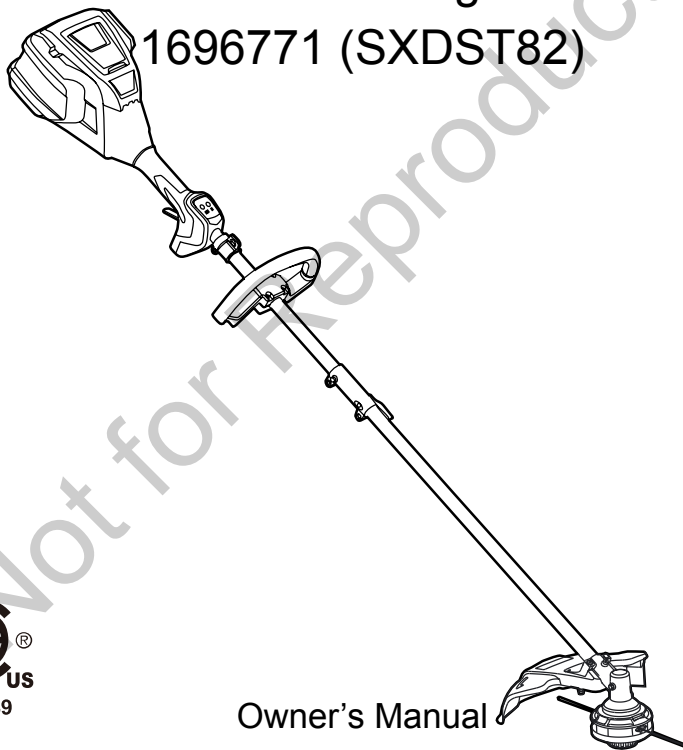

SNAPPER

XD

82V Cordless String Trimmer

1696771 (SXDST82)



 **SA**®
c US
218549

Owner's Manual

TOLL-FREE HELPLINE: 1-800-317-7833

www.snapper.com

 Read all safety rules and instructions carefully before operating this tool.

CONTENTS

Contents	2
Product Specifications	2
Important Safety Instructions.....	3
Symbols.....	5
Know Your String Trimmer	7
Assembly	9
Operation.....	15
Battery & Charger Maintenance.....	24
Maintenance.....	26
Environmentally Safe Battery Disposal	27
Troubleshooting.....	28
Limited Warranty.....	30
Exploded View.....	32
Parts List.....	33

PRODUCT SPECIFICATIONS

82V LITHIUM-ION STRING TRIMMER

Type	Cordless, battery powered
Motor	82V Brushless
String Cutting Width	14/16" (356/406 mm)
Speed	5000/5500 ±10% RPM
Line Diameter	Nylon / 0.08" (2.03 mm)
Feed Type	Bump Feed
Weight (without battery)	11.5 lbs (5.2 kg)

Disclaimer: *Maximum initial battery voltage (measured without a workload) is 82 volts. Nominal voltage is 72.

IMPORTANT SAFETY INSTRUCTIONS

⚠ W A R N I N G

Read and understand all instructions before using this product. Failure to follow all instructions listed below may result in electric shock, fire, and/or serious personal injury.

- Use only identical manufacturer's replacement parts and accessories. Use of any other parts may create a hazard or cause product damage.
- Always wear safety glasses with side shields marked to comply with ANSI Z87.1. Everyday glasses have only impact resistant lenses. They are NOT safety glasses. Following this rule will reduce the risk of eye injury. Use face mask if operating in dusty work spaces.
- Avoid Dangerous Environment — Don't expose power tools to damp or wet conditions. Water entering a power tool will increase the risk of electric shock.
- Don't use in rain.
- Keep all bystanders, children, and pets at least 50 ft. away.
- Do not use the power tools for any job except that for which it is intended.
- Avoid Unintentional Starting – Do not carry string trimmer with fingers on the switch. Be sure the battery is removed while transporting.
- Do not operate the equipment while barefoot or when wearing sandals or similar lightweight footwear. Wear protective footwear that will protect your feet and improve your footing on slippery surfaces.
- Don't overreach - Keep proper footing and balance at all times.
- Stay alert - Watch what you are doing. Use common sense. Do not operate this unit when you are tired, ill or under the influence of alcohol, drugs or medication.
- Always store idle power tools indoors - When not in use, power tools should be stored indoors in a dry place, out of reach of children.
- Power tool maintenance – Replace string head if cracked, chipped, or damaged in any way. Be sure the string head is properly installed and securely fastened. Keep cutting edge sharp and clean for best performance and to reduce the risk of injury. Follow instructions for lubricating and changing accessories. Inspect appliance cord periodically, and if damaged, have it repaired by an authorized service facility. Inspect extension cords periodically and replace if damaged. Keep handles dry, clean, and free from oil and grease. Failure to do so can cause serious injury.
- Check Damaged Parts – Before further use of the appliance, a guard or other part that is damaged should be carefully checked to determine that it will operate properly and perform its intended function. Check for alignment of moving parts, binding of moving parts, breakage of parts, damaged mountings, and any other condition that may affect its operation. A guard or other part that is damaged should be properly repaired or replaced by an authorized service center unless indicated elsewhere in this manual.
- Do not charge or operate cordless tools in damp or wet locations or in the rain. Following this rule will reduce the risk of electric shock.
- Remove or disconnect battery before servicing, cleaning or removing material from the gardening appliance.

IMPORTANT SAFETY INSTRUCTIONS

- Do not dispose of the batteries in a fire. The cells may explode. Check with local codes for possible special disposal instructions.
- Do not open or mutilate the batteries. Released electrolyte is corrosive and may cause damage to the eyes or skin. It may be toxic if swallowed.
- Exercise care in handling batteries in order not to short the battery with conducting materials such as rings, bracelets, and keys. The battery or conductor may overheat and cause burns.
- Dress Properly – Do not wear loose clothing or jewelry. They can be caught in moving parts. Use of rubber gloves and substantial footwear is recommended when working outdoors. Wear protective hair covering to contain long hair.
- Do not add unnecessary force to your power tool – It will do the job better and with less likelihood of a risk of injury at the rate for which it was designed.
- Recharge only with the charger specified by the manufacturer. A charger that is suitable for one type of battery pack may create a risk of fire when used with another battery pack.
- For use only with Briggs & Stratton batteries BSB2AH82 (2 amp-hour) or BSB4AH82 (4 amp-hour). For use only with Briggs & Stratton charger BSRC82.
- When battery pack is not in use, keep it away from other metal objects, like paper clips, coins, keys, nails, screws or other small metal objects, that can make a connection from one terminal to another. Shorting the battery terminals together may cause a fire.
- Under abusive conditions, liquid may be ejected from the battery; avoid contact. If contact accidentally occurs, flush with water. If liquid contacts eyes, additionally seek medical help. Liquid ejected from the battery may cause irritation or burns.
- Do not use a battery pack or appliance that is damaged or modified. Damaged or modified batteries may exhibit unpredictable behavior resulting in fire, explosion or risk of injury.
- Do not expose a battery pack or power tools to fire or excessive temperature. Exposure to fire or temperature above 265°F (130°C) may cause explosion.

⚠ W A R N I N G (PROPOSITION 65)

This product contains a chemical known to the state of California to cause cancer, birth defects or other reproductive harm.

Some dust created by power sanding, sawing, grinding, drilling, and other construction activities contains chemicals known to cause cancer, birth defects or other reproductive harm. Some examples of these chemicals are:









- Lead from lead-based paints
- Crystalline silica from bricks and cement and other masonry products, and
- Arsenic and chromium from chemically treated lumber.

Your risk of exposure to these chemicals varies depending on how often you do this type of work. To reduce your exposure to these chemicals, work in a well-ventilated area, and work with approved safety equipment, such as dust masks that are specially designed to filter out microscopic particles.

SAVE THESE INSTRUCTIONS




SYMBOLS

Some of the following symbols may be used on this product. Please study them and learn their meaning. Proper interpretation of these symbols will allow you to operate the product better and safer.

SYMBOL	NAME	DESIGNATION/EXPLANATION
V	Volts	Voltage
A	Amperes	Current
Hz	Hertz	Frequency (cycles per second)
W	Watts	Power
min	Minutes	Time
~	Alternating Current	Type of current
/min	Per Minute	Revolutions, strokes, surface speed, orbits etc., per minute.
≡	Direct Current	Type or a characteristic of current
	Class II Construction	Double-insulated construction
	Safety Alert	Precautions that involve your safety.
	Read The Operator's Manual	To reduce the risk of injury user must read and understand operator's manual before using this product.
	No Blade	Do not install or use any type of blade on a product or displaying this symbol.
	Wet Conditions Alert	Do not expose to rain or use in damp locations.
	Eye Protection	Always wear eye protection with side shields marked to comply with ANSI Z87.1 when operating this equipment.
	Ricochet	Thrown objects can ricochet and result in personal injury or property damage.
	Keep Bystanders Away	Keep all bystanders at least 50 ft. away.

SYMBOLS

The following signal words and meanings are intended to explain the levels of risk associated with this product.

SYMBOL	SIGNAL	MEANING
	DANGER	Indicates an imminently hazardous situation, which, if not avoided, will result in death or serious injury.
	WARNING	Indicates a potentially hazardous situation, which, if not avoided, could result in death or serious injury.
	CAUTION	Indicates a potentially hazardous situation, which, if not avoided, may result in minor or moderate injury.
	CAUTION	(Without Safety Alert Symbol) Indicates a situation that may result in property damage.

SERVICE

Servicing requires extreme care and knowledge and should be performed only by a qualified service technician. For service we suggest you return the product to your nearest **AUTHORIZED SERVICE CENTER** for repair. Use only identical manufacturer's replacement parts and accessories.

WARNING

To avoid serious personal injury, do not attempt to use this product until you have read this Owner's Manual thoroughly and understand it completely. If you do not understand the warnings and instructions in this Owner's Manual, do not use this product. Call the Toll-free Helpline (1-800-317-7833) for assistance. The operation of any power tool can result in foreign objects being thrown into your eyes, which can result in severe damage to your eyes. Before operating a power tool, always wear safety goggles, safety glasses with side shields, or a full face shield when needed. We recommend a Wide Vision Safety Mask for use over eyeglasses or standard safety glasses with side shields. Always use eye protection that is marked to comply with ANSI Z87.1.

WARNING



The operation of any power tool can result in foreign objects being thrown into your eyes, which can result in severe eye damage. Before beginning power tool operation, always wear safety goggles or safety glasses with side shields or a full face shield. We recommend Wide Vision Safety Mask for use over eyeglasses or standard safety glasses with side shields. Always use eye protection which is marked to comply with ANSI Z87.1.

SAVE THESE INSTRUCTIONS

KNOW YOUR STRING TRIMMER

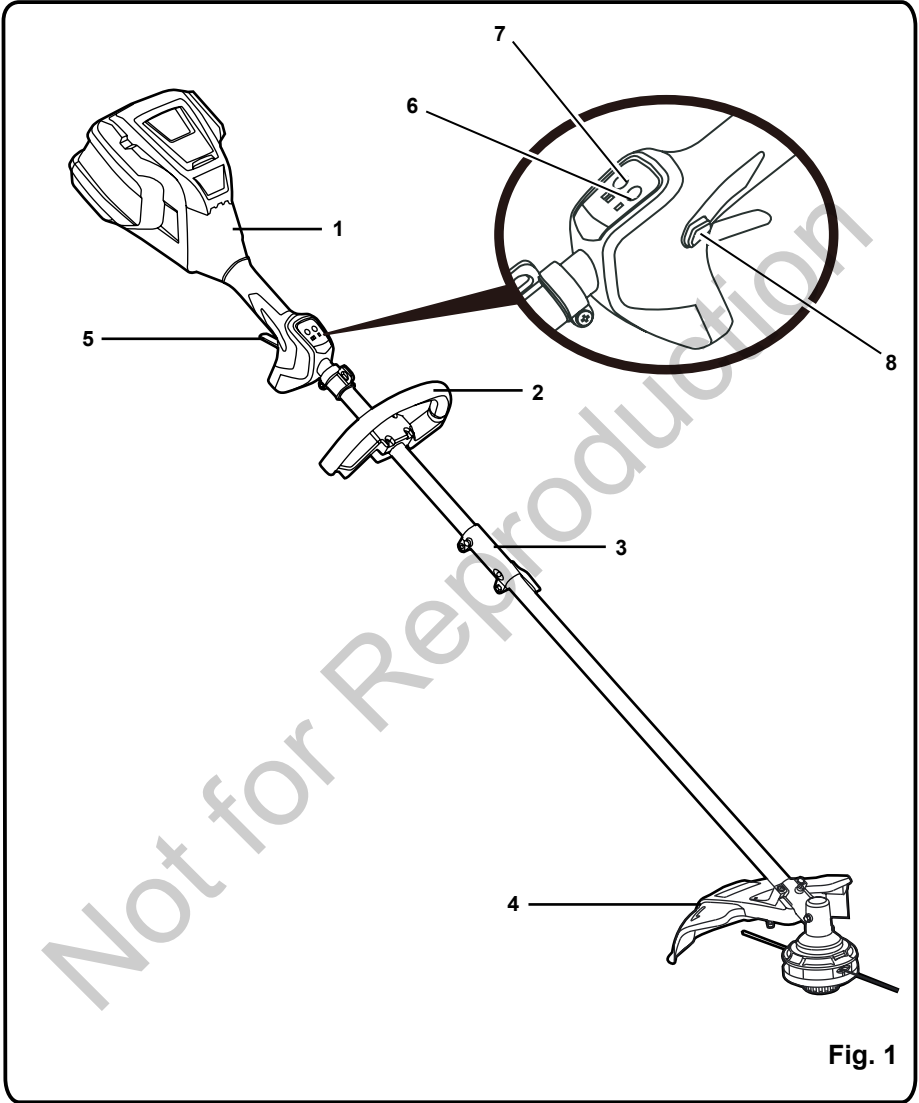


Fig. 1

KNOW YOUR STRING TRIMMER

KNOW YOUR STRING TRIMMER (See Figure 1.)

The safe use of this product requires an understanding of the information on the product and in this operator's manual as well as a knowledge of the project you are attempting. Before use of this product, familiarize yourself with all operating features and safety rules.

1. REAR HANDLE

Ergonomic handle with overmold improves comfort and grip.

2. AUXILIARY HANDLE

The string trimmer is equipped with an auxiliary handle for added control and ease of operation.

3. COUPLER

The coupler connects and locks the two shafts.

4. GUARD

The trimmer includes a guard that helps protect from flying debris.

5. VARIABLE SPEED TRIGGER

Provides added control and precision.

6. ON/OFF BUTTON

Press the on/off button to start or stop the string trimmer.

7. HIGH/LOW SPEED BUTTON

The high/low speed button adjusts the speed.

8. SAFETY LOCK BUTTON

The safety lock button prevents accidental starting.

ASSEMBLY

UNPACKING

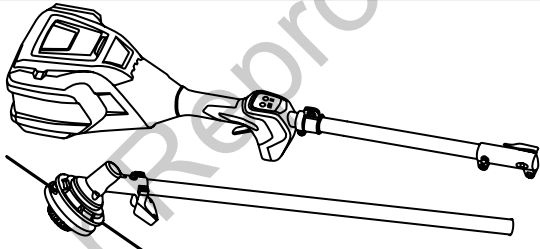
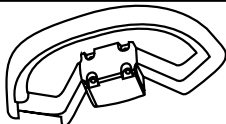
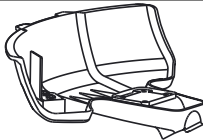

This product requires assembly.

- Carefully remove the product and any accessories from the box. Make sure that all items listed in the packing list are included.
- Inspect the tool carefully to make sure no breakage or damage occurred during shipping.
- Do not discard the packing material until you have carefully inspected and satisfactorily operated the tool.
- If any parts are damaged or missing, please call 1-800-317-7833.

⚠ WARNING

Do not use this product if any parts on the packing list are already assembled to your product when you unpack it. Parts on this list are not assembled to the product by the manufacturer and require customer installation. Use of a product that may have been improperly assembled could result in serious personal injury.

PACKING LIST

Part Name	Figure	Qty
String trimmer		1
Auxiliary handle		1
Guard		1
Operator's manual		1

ASSEMBLY

⚠ WARNING

If any parts are damaged or missing, do not operate this product until the parts are replaced. Use of this product with damaged or missing parts could result in serious personal injury.

⚠ WARNING

Do not attempt to modify this product or create accessories not recommended for use with this string trimmer. Any such alteration or modification is misuse and could result in a hazardous condition leading to possible serious personal injury.

⚠ WARNING

Do not connect to power supply until assembly is complete. Failure to comply could result in accidental starting and possible serious personal injury.

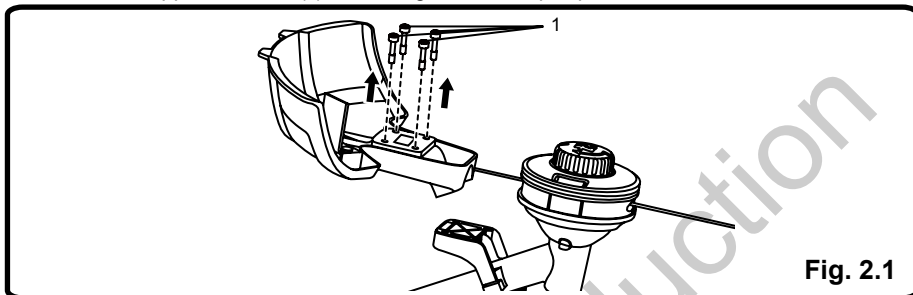
Not for Reproduction

ASSEMBLY

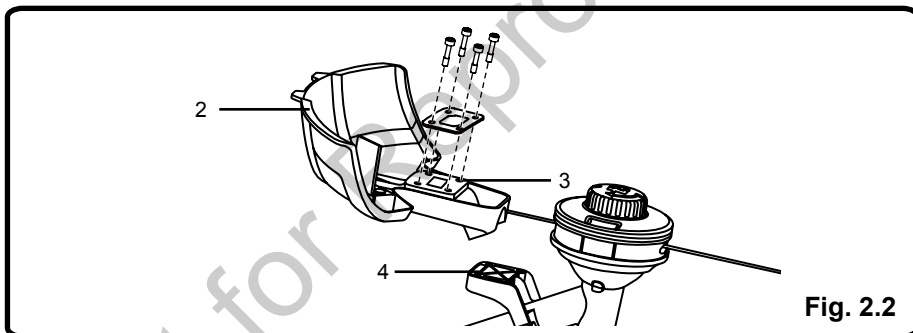
ATTACHING THE GUARD (See Figure 2.)

NOTE: Install the guard before the attachment is connected to the lower shaft.

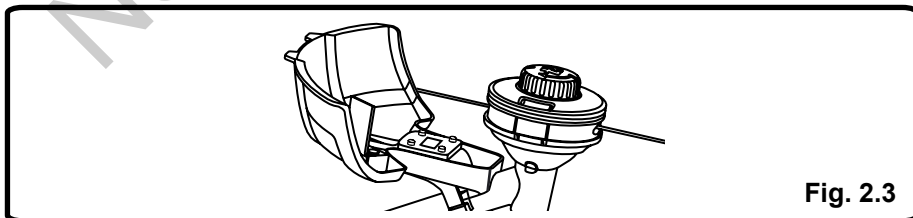
1. Invert the string trimmer to access the trimmer head.
2. Remove supplied screws (1) from the guard with a philips screwdriver.



3. Place the guard (2) on to the trimmer head.
4. Align the screw holes on the guard (3) with the screw holes on the trimmer head (4).



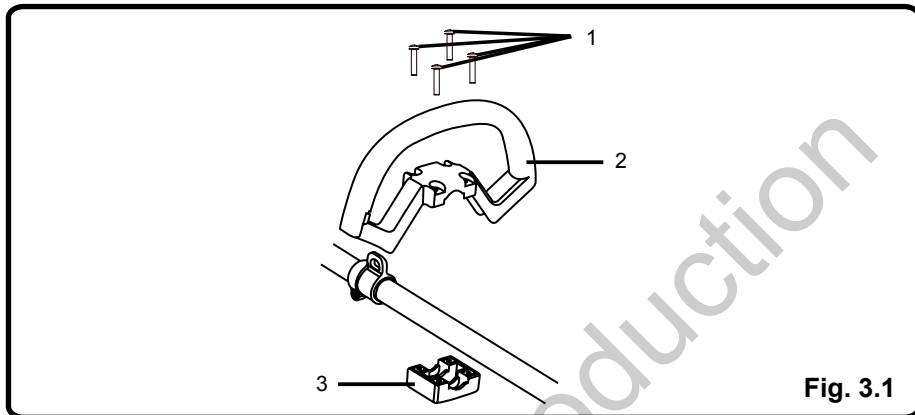
5. Insert the screws into the trimmer head, fastening the guard in place using a philips head screwdriver (not included).



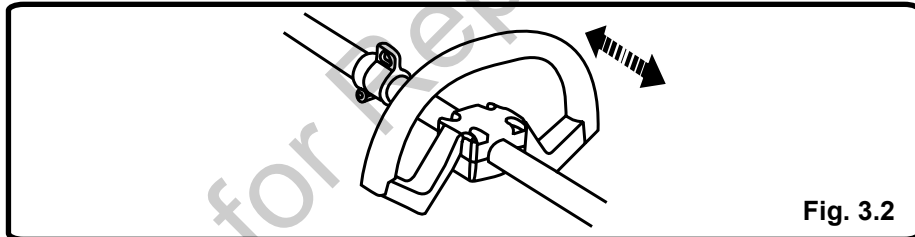
ASSEMBLY

ATTACHING THE AUXILIARY HANDLE (See Figure 3.)

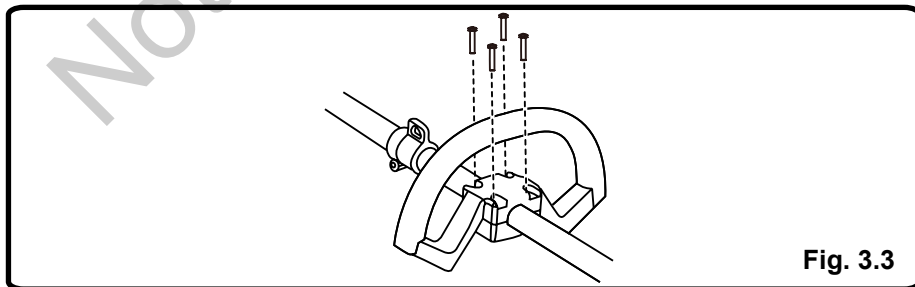
1. Loosen the four screws (1) in the handle with a philips screwdriver (not included) and remove the screws from the handle.



2. Attach the auxiliary handle (2) and lower clamp (3) on the shaft.
3. Adjust handle up or down, if necessary, to desired operating position.



4. Tighten the four screws so that the handle cannot be rotated on the shaft.



ASSEMBLY

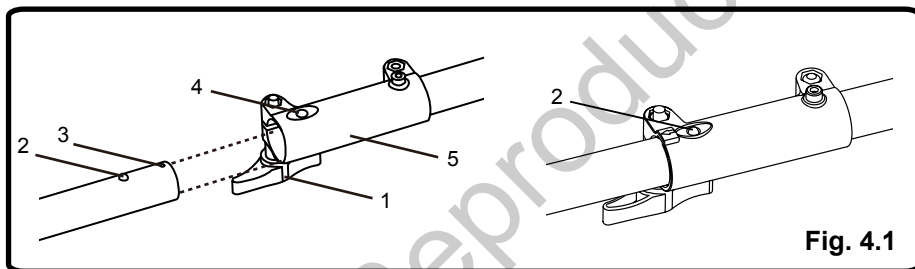
INSTALLING THE UPPER SHAFT TO THE LOWER SHAFT (See Figure 4.)

⚠ WARNING

Never install, remove, or adjust any attachment while string trimmer is running. Failure to stop the motor can cause serious personal injury.

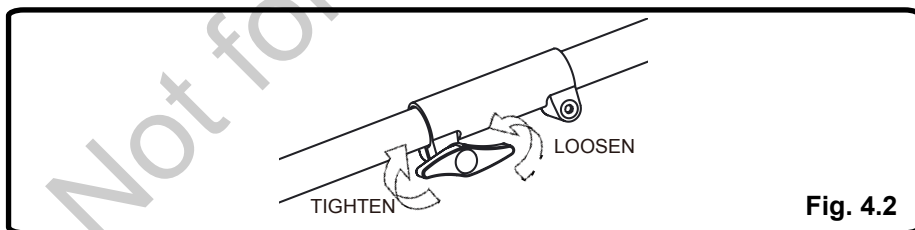
The attachment connects to the power head by means of a coupler device.

1. Set the unit on a flat, level surface.
2. Loosen the knob (1) on the coupler (5).
3. Push in the release button (2) located on the lower shaft (3). Align the release button with the positioning hole (4) and slide the two shafts together. Rotate the lower shaft until the button locks into the positioning hole.



NOTE: If the button does not release completely in the positioning hole, the shafts are not locked into place. Slightly rotate from side to side until the button is locked into place.

4. Tighten the knob securely.



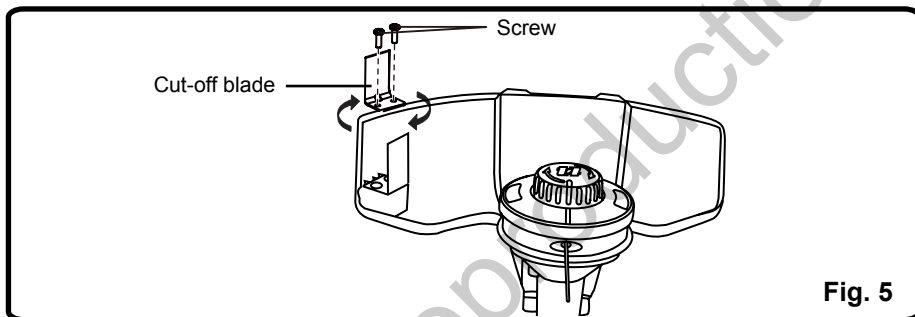
ASSEMBLY

ADJUSTING THE CUTTING SWATH (See Figure 5.)

This trimmer is equipped with a line cut-off blade on the guard. The line cut off blade continuously trims the line to ensure a consistent and efficient cut diameter. Advance line whenever you hear the engine running faster than normal, or when trimming efficiency diminishes. This will maintain best performance and keep line long enough to advance properly.

This trimmer is currently set at the 14 in. cutting swath. To adjust to a cutting swath of 16 in.:

- Remove the battery pack.
- Loosen the blade screw then rotate the line cut-off blade 180°.
- Tighten the blade screw.



OPERATION

⚠ WARNING

Read and understand entire Operator's Manual for each optional attachment used on this power head and follow all warnings and instructions. Failure to follow all instructions may result in electric shock, fire and/or serious personal injury.

⚠ WARNING

Do not allow familiarity with this product to make you careless. Remember that a careless fraction of a second is sufficient to inflict serious injury.

⚠ WARNING

Do not use any attachments or accessories not recommended by the manufacturer of this product. The use of attachments or accessories not recommended can result in serious personal injury.

⚠ WARNING

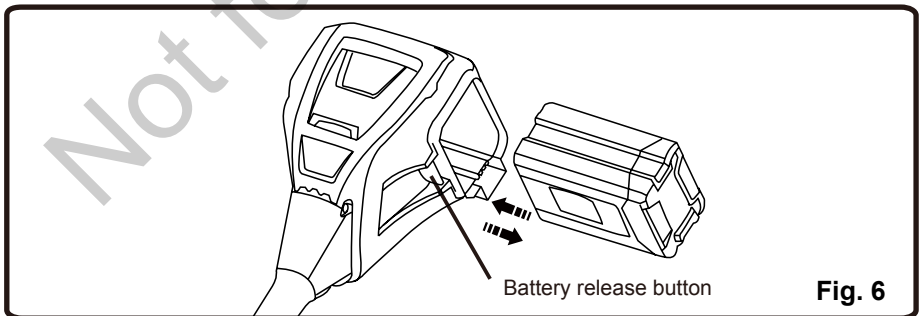
This string trimmer is not meant to be used with brush cutter attachments. Use of a brush cutter attachment could cause serious personal injuries or property damage.

INSTALLING THE BATTERY PACK (See Figure 6.)

- Insert battery pack into tool until an audible click is heard.

REMOVING THE BATTERY PACK (See Figure 6.)

- Depress the battery release button in the back of the battery pack and pull battery pack out of tool.



OPERATION

STARTING AND STOPPING THE TRIMMER (See Figure 7.)

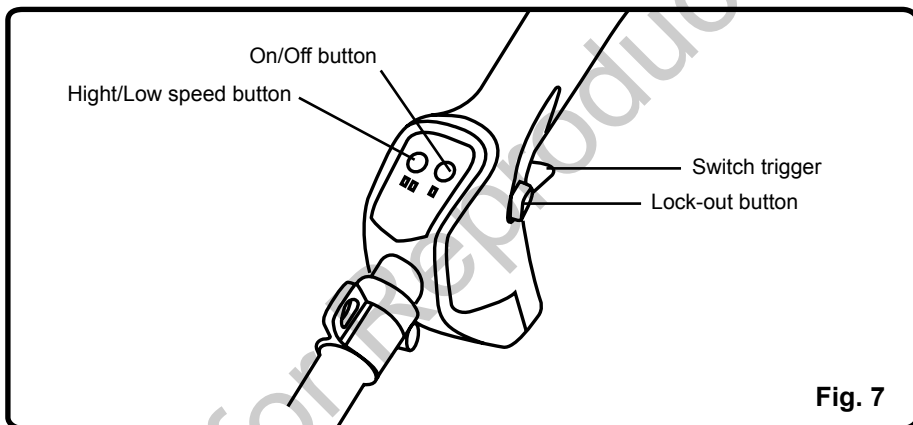
To start:

- Press the power button.
- Depress the lock-out button and squeeze the switch trigger.
- Press high speed button to increase speed depending upon grass condition. Two LED's will illuminate above the high speed button indicating that the trimmer is in the high speed setting.

To stop:

- Release the switch trigger.
- Press the power button again to turn the unit off.

Note: The unit will power itself down after being idle for 1 minute.



OPERATION

OPERATING THE TRIMMER (See *Figure 8*.)

⚠ WARNING

Always hold the string trimmer away from the body keeping clearance between your body and the string trimmer. Any contact with the string trimmer cutting head while operating can result in serious personal injury.

Follow these tips when using the string trimmer:

- Hold the trimmer with your right hand on the rear handle and your left hand on the auxiliary handle.
- Keep a firm grip with both hands while in operation.
- Trimmer should be held at a comfortable position with the rear handle about hip height.
- Cut tall grass from the top down. This will prevent grass from wrapping around the shaft housing and string head which may cause damage from overheating.

If grass becomes wrapped around the string head:

- Remove the battery pack.
- Remove the grass.



OPERATION

⚠ WARNING

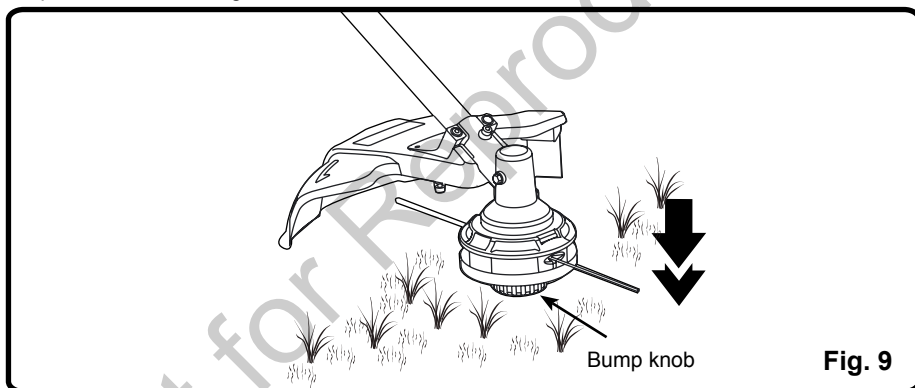
Any contact with the attachment cutting head can result in burns and/or other serious personal injury.

⚠ WARNING

Read the safety information for safe operation when using a blade attachment and refer to the safety rules and instructions in your attachment manual. Never use a brush cutter attachment with this electric power head. Improper operation of a blade or any attachment could result in serious injury.

ADVANCING LINE (See *Figure 9*.)

While the string trimmer is operating, the cutting line gets worn down and becomes shorter. This trimmer is equipped with bump feed line advancement, which advances additional line once the head is bumped on the ground while rotating. The cutting blade will cut the line to keep an accurate cutting swath.

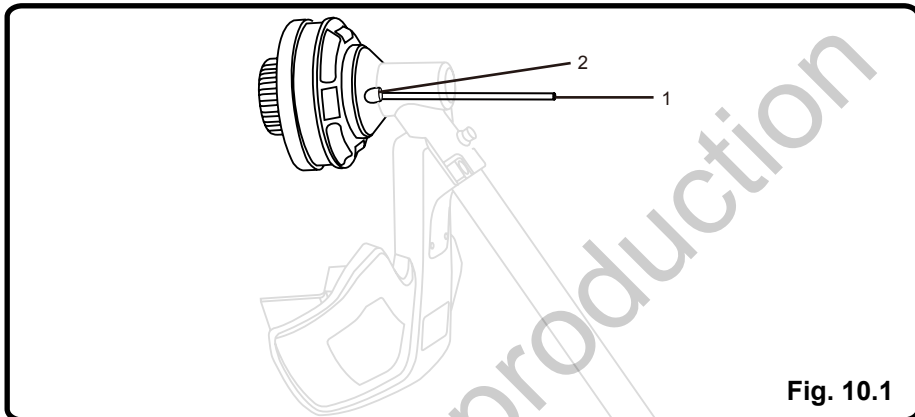


OPERATION

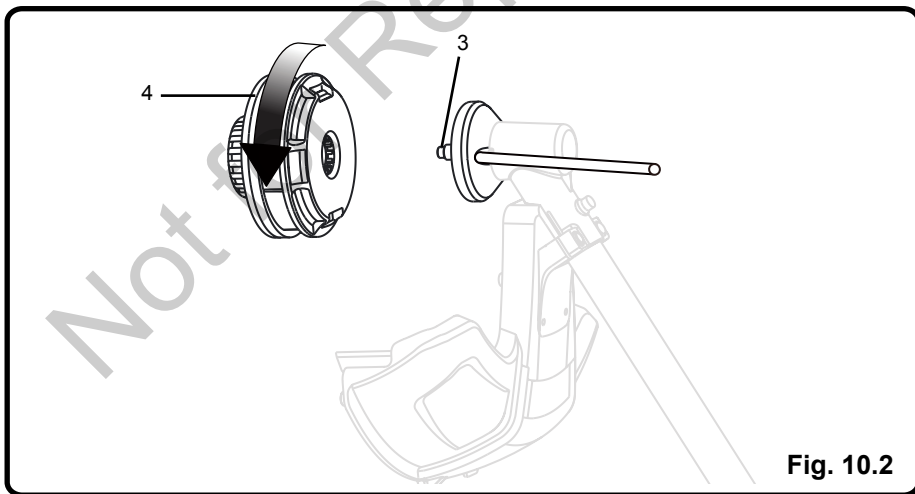
REPLACING STRING HEAD (See *Figure 10.*)

The string head should be replaced whenever damage is visible or if the wear indicators on the face are worn smooth. If replacing line only refer to **Replacing the Line** later in this manual.

1. Stop the unit and remove the battery pack.
2. Insert the gear head locking tool or screwdriver (1) through the slot (2).



3. Rotate the string head (4) clockwise until it can be removed from the gear shaft (3).



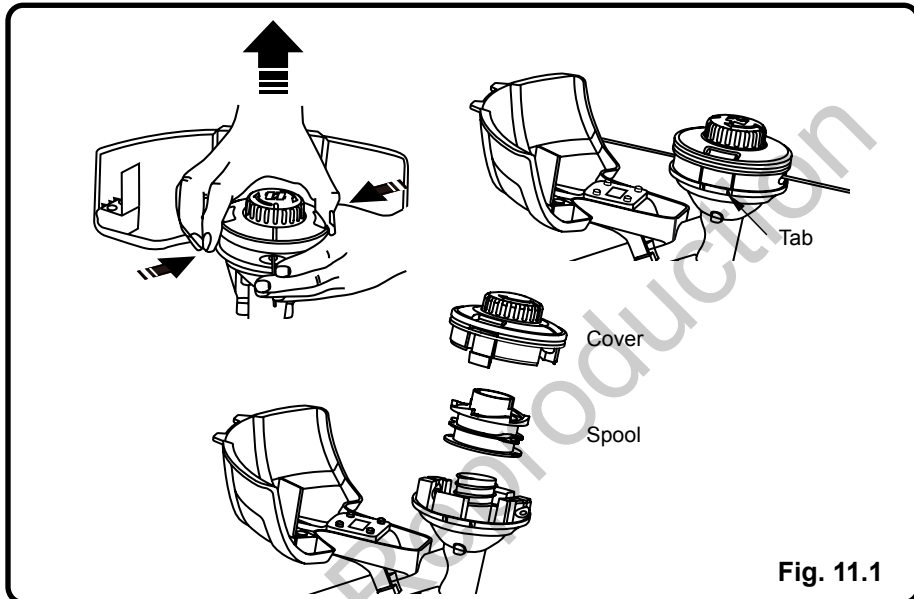
4. Install the new string head and rotate counterclockwise to secure.

OPERATION

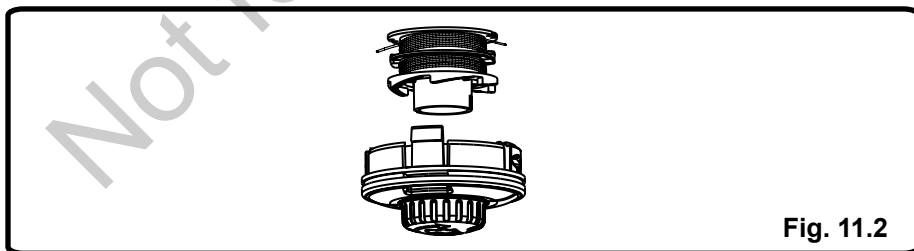
SPOOL REPLACEMENT (See Figure 11.)

If replacing line only, refer to **Line Replacement** later in this manual.

1. Press the tabs simultaneously on the side of the trimmer head and remove cover and spool.

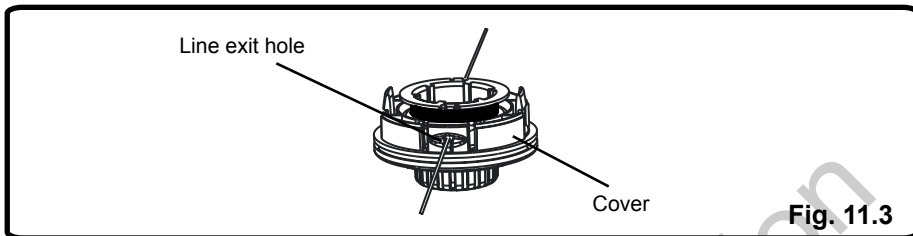


2. Remove any remaining line.
3. Clean dirt and debris from all parts.
4. Place the spool in the cover as shown below.

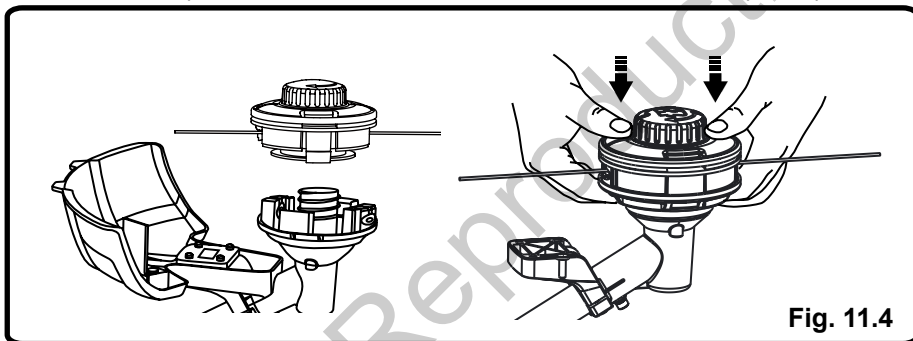


OPERATION

5. Insert the ends of the lines through line exit holes in the sides of the cover.

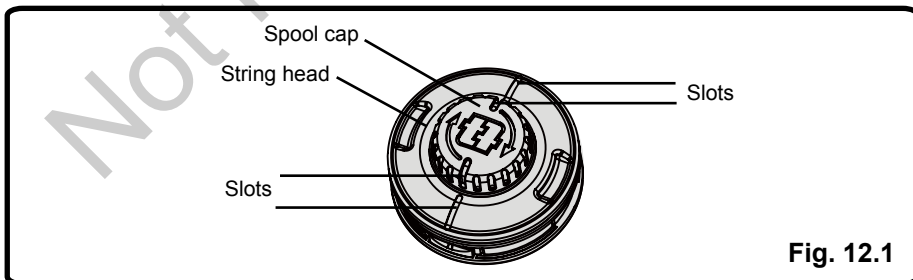


6. Reinstall the spool and cover onto the trimmer head. Push until cover snaps into place.



LINE REPLACEMENT (See Figure 12.)

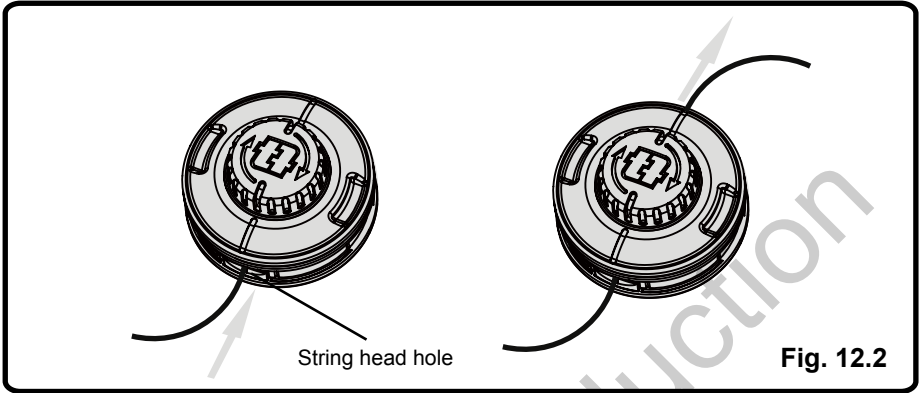
1. Line up the slots on the spool cap with the slots on the string head.



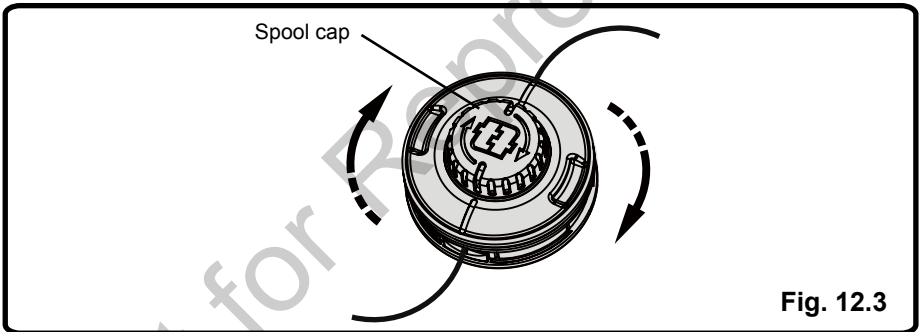
2. Insert line through the string head hole. Push line until it exits the opposite string head hole.

OPERATION

3. Pull the line through until there is an equal amount of line on each side.



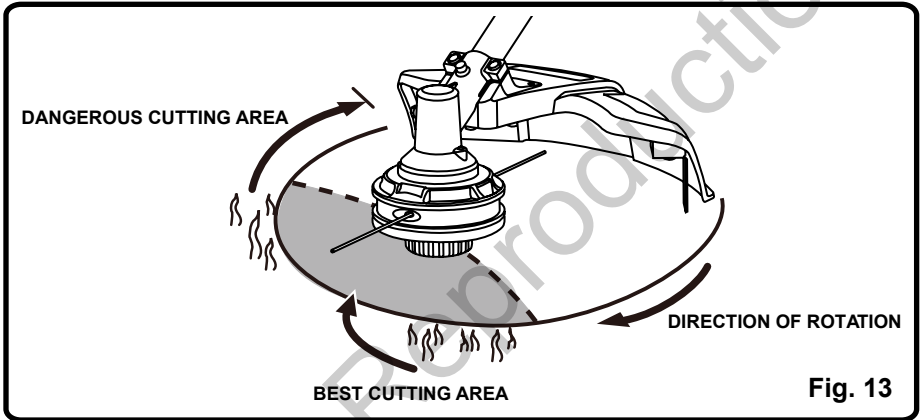
4. Turn the spool cap clock-wise to begin winding the string into the string head. Leave approximately 5 inches of string protruding out of each side of the head.



OPERATION

CUTTING TIPS (See *Figure 13.*)

- Keep the trimmer tilted toward the area being cut; this is the best cutting area.
- The trimmer cuts when passing the unit from right to left. This will avoid throwing debris at the operator. Avoid cutting in the dangerous area shown in figure 13.
- Use the tip of string to do the cutting; do not force string head into uncut grass.
- Wire and picket fences cause extra string wear and breakage. Stone and brick walls, curbs, and wood may wear string rapidly.
- Avoid trees and shrubs. Tree bark, wood moldings, siding, and fence posts can easily be damaged by the string.



BATTERY & CHARGER MAINTENANCE

CHARGING PROCEDURE

NOTE: *The battery is not shipped fully charged. It is recommended to fully charge before first use to ensure that maximum run time can be achieved. This lithium-ion battery will not develop a memory and may be charged at any time.*

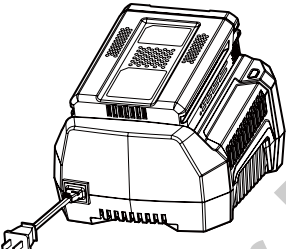
Low voltage charging:

If the battery has been stored with little to no charge for a long period of time, the charger will go into recovery mode, which will take 20 hrs to fully charge the battery. This will enhance the life of the battery. Once it is fully charged, the next charge will return to standard charging.

A fully discharged battery pack will require the allotted time as stated in the battery manual.

- Plug the charger into an AC power outlet.
- Insert the battery into the charger.

This is a diagnostic charger. The Charger LED Lights will illuminate in specific order to communicate the current battery status. They are as follows:



LED STATUS	DESCRIPTION
Blinking Green	Charging
Solid Green	Fully Charged
Solid Red	Over Temperature
Blinking Red	Charging Fault

False defect note:

When the battery is inserted into the charger and the status LED blinks RED, remove the battery from the charger for 1 minute, then reinsert. If the status LED blinks GREEN, then the battery is properly charging. If the status LED is still blinking RED, remove the battery and unplug the charger for 1 minute.

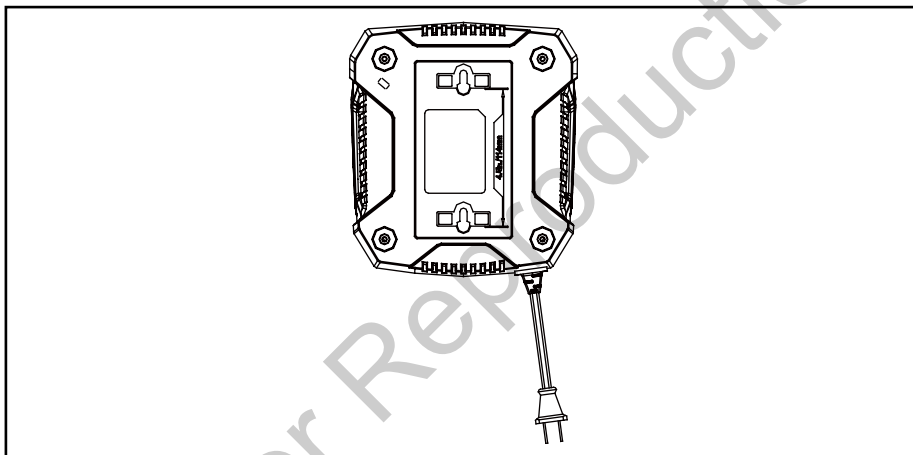
After 1 minute, plug in the charger and reinsert the battery. If the status LED blinks GREEN, then the battery is properly charging. If the status LED is still blinking RED, the battery is defective and needs to be replaced.

BATTERY & CHARGER MAINTENANCE

CHARGER MOUNTING

1. This charger can be installed hanging on a wall using two #8 screws (not included).
2. Locate the placement for the charger to be wall mounted.
3. If fastening to wood studs use 2 wood screws (not included).
4. Drill two holes 4.5 in. apart ensuring that they are vertically aligned.
5. If fastening to drywall use wall anchors (not included) and screws to secure the charger to the wall.

NOTE: *If the battery and the charger won't be used for a long time, please remove the battery from the charger and pull out the AC power plug.*



MAINTENANCE

GENERAL MAINTENANCE

Avoid using solvents when cleaning plastic parts. Most plastics are susceptible to damage from various types of commercial solvents and may be damaged by their use. Use clean cloths to remove dirt, dust, lubricant, grease, etc.

Always store the machine clean and in a dry enclosure with the battery charged.

⚠ WARNING

When using in direct sunshine, keep out of water and don't exposure to rain.

Store indoors, and do not expose to rain or water, avoid direct sunshine.

Maintenance task	Each time the machine is used	Every two hours	Each week	After use	Every year or when required
Visual check of the tool's safety systems (distancing device, carrying eye, safety casing)	X			X	
Check the trigger safety system functions	X				
Check the sharpness of blades and sharpen if necessary	X	X			X
Visual check of the tool (no cracks or deformation)	X	X			X
Visual check of the tool at the shaft attachment (no deformations or wear)	X	X			X
Check the battery level	X				
Inspection of the tool by an approved dealer					X

ENVIRONMENTALLY SAFE BATTERY DISPOSAL

The following toxic and corrosive materials are in the batteries used in this string trimmer battery pack: **Lithium-Ion, a toxic material.**



⚠ WARNING

All toxic materials must be disposed of in a specified manner to prevent contamination of the environment. Before disposing of damaged or worn out Lithium-Ion battery packs, contact your local waste disposal agency, or the local Environmental Protection Agency for information and specific instructions. Take the batteries to a local recycling and/or disposal centre, certified for lithium-ion disposal.

⚠ WARNING

If the battery pack cracks or breaks, with or without leaks, do not recharge it and do not use. Dispose of it and replace with a new battery pack. **DO NOT ATTEMPT TO REPAIR IT!** To avoid injury and risk of fire, explosion, or electric shock, and to avoid damage to the environment:

- Cover the battery's terminals with heavy-duty adhesive tape.
 - DO NOT attempt to remove or destroy any of the battery pack components.
 - DO NOT attempt to open the battery pack.
 - If a leak develops, the released electrolytes are corrosive and toxic. DO NOT get the solution in the eyes or on skin, and do not swallow it.
 - DO NOT place these batteries in your regular household trash.
 - DO NOT incinerate.
 - DO NOT place them where they will become part of any waste landfill or municipal solid waste stream.
 - Take them to a certified recycling or disposal centre.
-

TROUBLESHOOTING

Problem	Cause	Solution
String trimmer fails to start when trigger lock button is depressed.	1. The battery pack is not attached to the trimmer.	1. Attach the battery pack to the trimmer.
	2. No electrical contact between the trimmer and battery.	2. Remove battery check contact and reinstall the battery pack.
	3. The battery pack is depleted.	3. Charge the battery pack.
	4. The lock-off lever and trigger are not depressed simultaneously.	4. Press down the lock-off lever and hold it, then depress the trigger to turn on the string trimmer.
	5. Did not press the power button, press the trigger directly.	5. Start the power button, the power indicator will trigger later.
String trimmer stops while cutting.	1. The guard is not mounted on the trimmer, resulting in an overly long cutting and motor overload.	1. Remove the battery pack and mount the guard on the trimmer.
	2. Heavy cutting line is used.	2. Use only with nylon cutting line 0.08" diameter or less.
	3. The motor shaft or trimmer head is bound with grass.	3. Stop the trimmer, remove the battery, and remove the grass from the motor shaft and trimmer head.
	4. The motor is overloaded.	4. Remove the trimmer head from the grass. the motor will recover to work as soon as the load is removed. when cutting, move the trimmer head in and out of the grass to be cut and remove no more than 8 inches of length in a single cut.
	5. The battery pack or string trimmer is too hot.	5. Allow the battery pack to cool until the temperature drops below 158°F (70°C). Allow the trimmer to cool until the temperature drops below 140°C.
	6. The battery pack is disconnected from the tool.	6. Re-install the battery pack.
	7. The battery pack is depleted.	7. Charge the battery pack.

TROUBLESHOOTING

Problem	Cause	Solution
Lines will not advance.	1. Lines are welded to themselves.	1. Lubricate with silicone spray.
	2. Not enough line on spool.	2. Install more line. Refer to Line Replacement earlier in this manual.
	3. Lines are worn too short.	3. Pull both lines while pressing button.
	4. Lines are tangled on spool.	4. Remove lines from spool and rewind. Refer to Line Replacement earlier in this manual.
Line keeps breaking.	1. Trimmer used incorrectly.	1. Only trim with the tip of the line, avoid stones, walls and other hard objects. Feed the line regularly to maintain full cutting width.
Grass wraps around trimmer head and motor housing.	1. Cutting tall grass at ground level	1. Cut tall grass from the top down, removing no more than 8 inches in each pass to prevent wrapping.
Line is not cutting well	1. The line-cutting blade on the edge of the guard has become dull.	1. Sharpen the line-cutting blade with a file or replace it with a new blade.

LIMITED WARRANTY

Briggs & Stratton warrants that, during the warranty period specified below, it will repair or replace, free of charge, any part that is defective in material or workmanship or both. Transportation charges on product submitted for repair or replacement under this warranty must be borne by purchaser. This warranty is effective for and is subject to the time periods and conditions stated below. For warranty service, find the nearest Authorized Service Dealer in our dealer locator map at www.SNAPPER.com. The purchaser must contact the Authorized Service Dealer, and then make the product available to the Authorized Service Dealer for inspection and testing.

There is no other express warranty. Implied warranties, including those of merchantability and fitness for a particular purpose, are limited to the warranty period listed below, or to the extent permitted by law. Liability for incidental or consequential damages are excluded to the extent exclusion is permitted by law. Some states or countries do not allow limitations on how long an implied warranty lasts, and some states or countries do not allow the exclusion or limitation of incidental or consequential damages, so the above limitation and exclusion may not apply to you. This warranty gives you specific legal rights and you may also have other rights which vary from state to state or country to country.**.

WARRANTY PERIOD

	Consumer Use	Commercial Use
Equipment	60 months	90 days
Battery and Battery Charger	24 months	none

** In Australia - Our goods come with guarantees that cannot be excluded under the Australian Consumer Law. You are entitled to a replacement or refund for a major failure and for compensation for any other reasonably foreseeable loss or damage. You are also entitled to have the goods repaired or replaced if the goods fail to be of acceptable quality and the failure does not amount to a major failure. For warranty service, find the nearest Authorized Service Dealer in our dealer locator map at BRIGGSandSTRATTON.COM, or by calling 1300 274 447, or by emailing or writing to salesenquires@briggsandstratton.com.au, Briggs & Stratton Australia Pty Ltd, 1 Moorebank Avenue, NSW, Australia, 2170.

The warranty period begins on the date of purchase by the first retail or commercial consumer. "Consumer use" means personal residential household use by a retail consumer. "Commercial use" means all other uses, including use for commercial, income producing or rental purposes. Once a product has experienced commercial use, it shall thereafter be considered as a commercial use product for purposes of this warranty.

To ensure prompt and complete warranty coverage, register your product at the website shown above or at www.onlineproductregistration.com.

Save your proof of purchase receipt. If you do not provide proof of the initial purchase date at the time warranty service is requested, the manufacturing date of the product will be used to determine the warranty period. Product registration is not required to obtain warranty service on Briggs & Stratton products.

LIMITED WARRANTY

ABOUT YOUR WARRANTY

Warranty service is available only through Snapper Authorized Service Dealers. This warranty covers only defects in materials or workmanship. It does not cover damage caused by improper use or abuse, improper maintenance or repair, normal wear and tear, or stale or unapproved fuel.

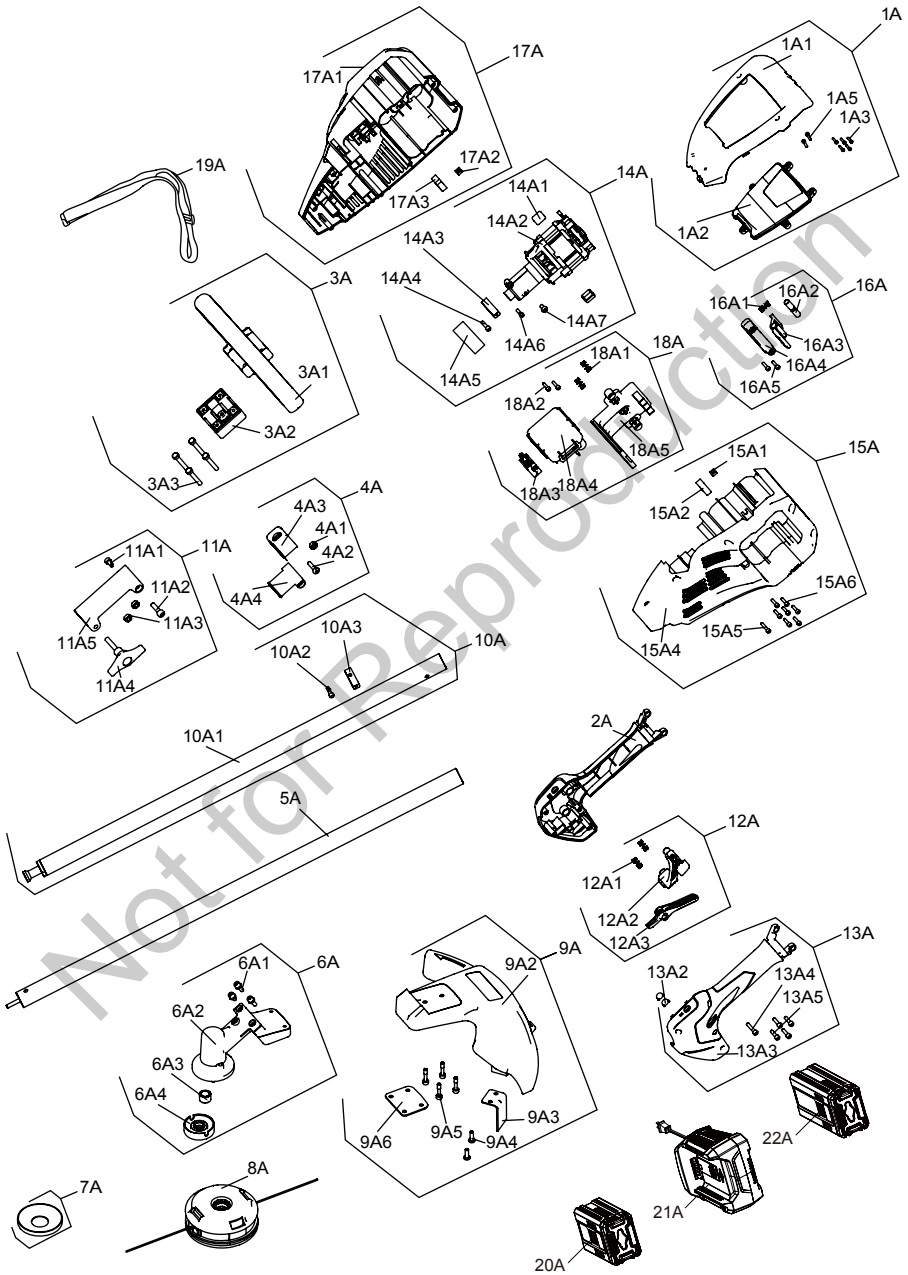
Improper Use and Abuse - The proper, intended use of this product is described in the Operator's Manual. Using the product in a way not described in the Operator's Manual or using the product after it has been damaged will not be covered under this warranty. Warranty coverage will also not be provided if the serial number on the product has been removed or the product has been altered or modified in any way, or if the product has evidence of abuse such as impact damage or water/chemical corrosion damage.

Improper Maintenance or Repair - This product must be maintained according to the procedures and schedules provided in the Operator's Manual, and serviced or repaired using genuine Briggs & Stratton parts or equivalent. Damage caused by lack of maintenance or use of non-original parts is not covered by warranty.

Normal Wear and Tear - Like most mechanical devices, your unit is subject to wear even when properly maintained. This warranty does not cover repairs when normal use has exhausted the life of a part or the equipment. Maintenance and wear items such as filters, belts, cutting blades, and brake pads (except engine brake pads) are not covered by warranty due to wear characteristics alone, unless the cause is due to defects in material or workmanship.

Other Exclusions - This warranty excludes damage due to accident, abuse, modifications, alterations, improper servicing, freezing or chemical deterioration. Attachments or accessories that were not originally packaged with the product are also excluded. There is no warranty coverage on equipment used for primary power in place of utility power or on equipment used in life support applications. This warranty does not include used, reconditioned, second-hand, or demonstration equipment or engines. This warranty also excludes failures due to acts of God and other force majeure events beyond the manufacturer's control.

EXPLODED VIEW



PARTS LIST

Item No.	Part No.	Description	QTY
1A	770148	KIT, HOUSING TOP COVER, NA	1
1A1	-----	COVER, TOP	1
1A2	-----	INSERT, TOP COVER	1
1A3	-----	SCREW	5
1A5	-----	SCREW	2
2A	770149	HANDLE, RIGHT	1
3A	770150	KIT, AUXILIARY HANDLE	1
3A1	-----	HANDLE, AUXILIARY	1
3A2	-----	BASE, AUXILIARY HANDLE	1
3A3	-----	SCREW	4
4A	770151	KIT, HARNESS CLAMP	1
4A1	-----	BOLT	1
4A2	-----	SCREW	1
4A3	-----	CLAMP, HARNESS	1
4A4	-----	CLIP, HARNESS	1
5A	770153	SHAFT, BOTTOM	1
6A	770152	KIT, GEAR BOX ASSEMBLY	1
6A1	-----	SCREW	3
6A2	-----	ASSEMBLY, GEAR BOX	1
6A3	-----	SLEEVE, AXLE	1
6A4	-----	BASE, BLADE FIXED	1
7A	770154	PLATE, GRASS PREVENTION	1
8A	770155	HEAD, STRING	1
9A	770156	KIT, GUARD ASSEMBLY	1
9A2	-----	GUARD	1
9A3	-----	BLADE	1
9A4	-----	SCREW	2
9A5	-----	BOLT	4
9A6	-----	BRACKET, GUARD PLATE	1
10A	770157	KIT, TOP SHAFT	1
10A1	-----	SHAFT, TOP	1
10A2	-----	SCREW	1
10A3	-----	CLIP	1
11A	770158	KIT, COUPLING ASSEMBLY	1
11A1	-----	BOLT	1
11A2	-----	SCREW	1
11A3	-----	BOLT	2

PARTS LIST

Item No.	Part No.	Description	QTY
11A4	-----	BOLT, T	1
11A5	-----	COUPLING	1
12A	770159	KIT, SWITCH AND LOCK-OUT BUTTON	1
12A1	-----	BUTTON, LOCK-OUT	1
12A2	-----	BUTTON, LOCK-OUT	1
12A3	-----	TRIGGER	1
13A	770160	KIT, LEFT HANDLE	1
13A2	-----	BUTTON, PCB	2
13A3	-----	HOUSING, HANDLE LEFT	1
13A4	-----	SCREW	1
13A5	-----	SCREW	4
14A	770162	KIT, MOTOR AND SWITCH	1
14A1	-----	BRACKET, RUBBER PLATE	2
14A2	-----	MOTOR	1
14A3	-----	CLIP	1
14A4	-----	SCREW	1
14A5	-----	BRACKET , RUBBER PLATE	1
14A6	-----	SCREW	1
14A7	-----	SCREW	1
15A	770163	KIT, LEFT HOUSING	1
15A1	-----	BOLT	1
15A2	-----	BRACKET, RUBBER PLATE	1
15A4	-----	HOUSING, MOTOR	1
15A5	-----	SCREW	1
15A6	-----	SCREW	7
16A	770164	KIT, BATTERY RELEASAE BUTTON	1
16A1	-----	SPRING	1
16A2	-----	PIN	1
16A3	-----	BUTTON, BATTERY RELEASE	1
16A4	-----	BRACKET, PRESS PLATE	1
16A5	-----	SCREW	2
17A	770165	KIT, RIGHT HOUSING	1
17A1	-----	HOUSING, MOTOR	1
17A2	-----	SCREW	1
17A3	-----	BRACKET, RUBBER PLATE	1
18A	770166	KIT, PCB	1
18A1	-----	SPRING	2
18A2	-----	SCREW	2
18A3	-----	SWITCH	1

PARTS LIST

Item No.	Part No.	Description	QTY
18A4	-----	PCB	1
18A5	-----	BRACKET, INSERT PLATE	1
19A	770167	STRAP, HARNESS	1
20A	1760266	BATTERY, 2AH, NA (OPTION)	1
21A	1760263	CHARGER, RAPID, NA (OPTION)	1
22A	1760265	BATTERY, 4AH, NA (OPTION)	1

Not for Reproduction

Not for Reproduction

SNAPPER®

XD

Briggs & Stratton Power Products Group, LLC
P.O. Box 702
Milwaukee, WI 53201

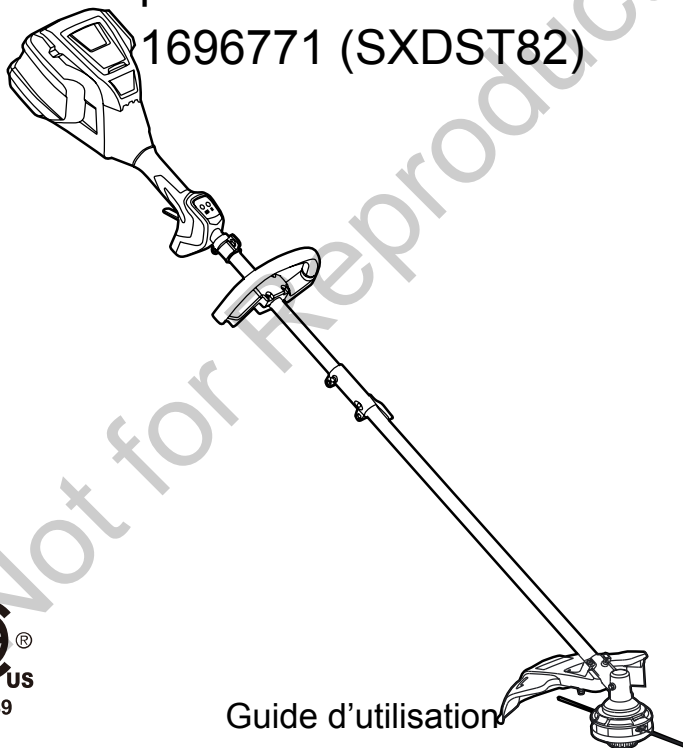
TOLL-FREE HELPLINE: 1-800-317-7833

SNAPPER

XD

Coupe-herbe sans fil de 82 V

1696771 (SXDST82)





c US
218549

Guide d'utilisation

LIGNE D'ASSISTANCE SANS FRAIS : 1-800-317-7833

www.snapper.com

 Avant d'utiliser le produit, veuillez lire et suivre toutes les consignes de sécurité et les instructions d'utilisation.

MATIÈRES

Matières	2
Fiche technique	2
Consignes de sécurité	3
Symboles	5
Connaitre votre coupe-herbe	7
Assemblage	9
Utilisation	15
Entretien de la batterie et du chargeur	24
Entretien	26
Mise au rebut de la batterie sans danger pour l'environnement	27
Dépannage	28
Garantie limitée	30
Vue éclatée	32
Liste des pièces	33

FICHE TECHNIQUE

COUPE-HERBE SANS FIL DE 82 V AVEC BATTERIE LITHIUM-ION

Type	Sans fil et alimenté par bloc-batterie
Moteur	82V sans balai
Largeur du fil de coupe	14/16" (356/406 mm)
Vitesse	5000/5500 ±10% RPM
Diamètre du fil	Nylon / 0.08" (2.03 mm)
Type d'alimentation	Dispositif d'avancement automatique
Poids (sans batterie)	11.5 lbs (5.2 kg)

Avis de non-responsabilité : *La tension initiale et maximale de la batterie (mesurée à vide) est de 82 volts. La tension nominale est de 72 V.

CONSIGNES DE SÉCURITÉ

⚠ A V E R T I S S E M E N T

Veillez lire et assimiler les présentes instructions. Toute négligence à l'égard des instructions fournies ci-après peut être la cause d'un choc électrique, d'un incendie ou d'un grave accident corporel.

- Utilisez uniquement les pièces de remplacement et les accessoires recommandés par le fabricant. L'utilisation de toute autre composant peut entraîner des risques ou endommager le produit.
- Portez toujours des lunettes de sécurité avec des écrans latéraux. Les lunettes ordinaires n'ont que des lentilles résistantes à l'épreuve des chocs. Les lunettes ordinaires **NE SAURAIENT PAS REMPLACER** les lunettes de sécurité. Le respect de cette consigne de sécurité réduira le risqué des blessures oculaires. Utilisez un masque facial si l'utilisation de cet appareil produit de la poussière.
- Évitez les environnements dangereux - N'exposez pas les outils électriques à des conditions d'humidité. La pénétration d'eau dans un outil électrique augmente les risques d'électrocution.
- Ne pas utiliser sous la pluie.
- Gardez les spectateurs, les enfants et les animaux domestiques à au moins 15 mètres (50 pieds) de l'endroit de travail.
- Utilisez uniquement l'outil pour la fonction pour laquelle il a été conçu.
- Évitez les démarrages accidentels. Ne transportez pas le coupe-herbe branché avec votre doigt sur l'interrupteur. Assurez-vous que l'interrupteur est en position OFF (arrêt) avant de brancher le cordon d'alimentation.
- N'utilisez pas cet outil pieds nus ou lorsque vous portez des sandales ou des chaussures légères. Portez des chaussures protectrices qui protègent vos pieds et vous permettent d'avoir une meilleure prise sur les surfaces glissantes.
- Évitez tout état de déséquilibre. Tenez vous de façon à être stable sur vos pieds en tout temps.
- Soyez prudent - gardez les yeux sur ce que vous faites et faites preuve de bon sens. N'utilisez pas l'outil si vous êtes fatigué, sous l'influence de drogues, d'alcool ou de médicaments.
- Rangez les outils que vous n'utilisez pas à l'intérieur - Lorsque vous ne l'utilisez pas, rangez l'outil à l'intérieur, dans un endroit sec et hors de la portée des enfants.
- Entretien des outils électriques - Remplacez la tête de coupe si le fil est fissuré, ébréché ou endommagé. Vérifiez que la tête de coupe est correctement installée et fixée. Maintenez les lames aiguisées afin de garantir votre sécurité ainsi que des performances optimales. Suivez les instructions de lubrification et de changement d'accessoires. Vérifiez régulièrement l'état du cordon de l'outil, faites réparer celui-ci par un centre de réparation agréé. Vérifiez régulièrement l'état de la rallonge utilisée, remplacez celle-ci si elle s'avère endommagée. Maintenez les poignées sèches, propres, sans huile ni graisse. Ne pas respecter cette recommandation peut causer de graves blessures.
- Vérifiez la présence de pièces endommagées. Avant d'utiliser l'outil à nouveau, tout protecteur ou pièce endommagée doit être vérifiée afin d'assurer qu'elle accomplira correctement sa fonction. Vérifiez l'alignement ou le coincement des pièces mobiles, les composantes brisées, le montage ou toute autre condition qui pourrait affecter le bon fonctionnement de l'outil. Un garde protecteur ou toute pièce qui est endommagée doit être réparée adéquatement ou remplacée par un centre de service autorisé, à moins d'indication contraire dans le présent guide.
- Ne chargez pas cet outil à batterie sous la pluie ou dans les endroits humides ou mouillés. Le respect de cette règle de sécurité réduira le risqué de choc électrique.
- Enlevez ou déconnectez la batterie avant l'entretien, le nettoyage ainsi que l'enlèvement des

CONSIGNES DE SÉCURITÉ

débris des appareils de jardinage.

- Ne jetez pas les batteries au feu. Elle peut exploser. Vérifiez les directives locales pour savoir si elles comportent des instructions particulières concernant la mise au rebut des batteries.
- N'ouvrez pas ni mutiliez les batteries. L'électrolyte qui s'en dégagerait est corrosive et elle pourrait blesser les yeux ou la peau. En outre, ce produit est toxique lorsqu'ingéré.
- Maniez les batteries avec soin afin de ne pas les court-circuiter avec des matériaux conducteurs tels que des bagues, des bracelets et des clés. La batterie ou le conducteur peuvent être surchauffés et causer des brûlures.
- Portez des vêtements appropriés. Ne portez pas de vêtements amples, de gants, de cravate ni de bijoux (bracelets, montre, etc.) qui risqueraient de se prendre dans les pièces mobiles.
- N'appliquez aucune force inutile sur l'outil - L'outil électrique approprié effectuera le travail de manière plus efficace et plus sûre, utilisé au rythme pour lequel il est conçu.
- N'utilisez que le chargeur préconisé par le fabricant. L'utilisation d'un chargeur prévu pour un type de batterie avec un autre type de batterie peut entraîner un risque d'incendie.
- À utiliser uniquement avec les batteries Briggs & Stratton BSB2AH82 (2 amp-heure) et BSB4AH82 (4 amp-heure). À utiliser uniquement avec le chargeur BSRC82 de Briggs & Stratton.
- Lorsque la batterie n'est pas utilisée, éloignez-la des autres objets métalliques tels que trombones, pièces de monnaie, clés, clous, vis, ou autres petits objets susceptibles de court-circuiter les bornes de la batterie. La mise en court-circuit des bornes de la batterie peut causer des brûlures et entraîner un incendie.
- Sous des conditions abusives, du liquide peut être éjecté de la batterie, évitez d'entrer en contact avec ce liquide. En cas de contact accidentel, lavez à grande eau. Si du liquide entre en contact avec les yeux, consultez immédiatement un médecin. Le liquide éjecté de la batterie peut causer des irritations ou des brûlures.
- N'utilisez pas la batterie lorsque celle-ci est endommagée ou modifiée. Les batteries modifiées ou endommagées peuvent présenter un comportement imprévisible et causer un incendie, une explosion ou des blessures corporelles.
- N'exposez pas la batterie ou un outil électrique à des sources de flammes ou une température excessive. Exposer l'appareil à un incendie ou une température supérieure à 265 °F (130 °C) peut entraîner des explosions.

⚠ A V E R T I S S E M E N T (PROPOSITION 65)

Ce produit contient des produits chimiques qui, selon l'état de Californie, sont susceptibles de provoquer un cancer, des malformations congénitales ou d'affecter le système reproductif.

Certaines poussières que produisent le ponçage, sciage, meulage et forage électriques ainsi que les autres activités de construction contiennent des substances chimiques qui sont des cancérigènes connus susceptibles de causer des anomalies congénitales ou d'autres préjudices à la reproduction. Quelques exemples en sont:









- Plomb des peintures à base de plomb
- Silice cristalline des briques et du ciment ou d'autres produits de maçonnerie, et
- Arsenic et chrome du bois traité chimiquement.

Le niveau de risque résultant de votre exposition à ces produits varie selon la fréquence à laquelle vous effectuez ce type de travail. Pour réduire votre exposition à ces produits chimiques travaillez dans un endroit bien aéré et utilisez des équipements de sécurité approuvés tels que les masques anti-poussière conçus particulièrement pour le filtrage des particules microscopiques.

CONSERVEZ CES INSTRUCTIONS




SYMBOLES

Certains des symboles suivants peuvent figurer sur votre outil. Veuillez les étudier et en apprendre la signification. En interprétant correctement ces symboles, vous serez en mesure de faire fonctionner l'outil de façon plus efficace et plus sûre.

SYMBOLES	NOM	DÉSIGNATION/EXPLICATION
V	Volts	Tension
A	Amperes	Courant
Hz	Hertz	Fréquence (cycles par seconde)
W	Watts	Puissance
min	Minutes	Temps
~	Courant alternatif	Type ou caractéristique du courant
/min	Par Minute	Tours, coups, vitesse de surface, orbites etc., par minute.
≡	Courant continu	Type ou caractéristique du courant
	Construction de Classe II	Désigne une double isolation
	Symbole d'alerte	Précautions destinées à votre sécurité.
	Lire le manuel d'utilisation	Pour réduire le risque de blessures, l'utilisateur doit lire et bien comprendre le mode d'emploi de ce produit avant de l'utiliser.
	Aucune lame	N'installer ou utiliser aucun type de lame sur les produits affichant ce symbole.
	Alerte d'humidité	Ne pas exposer à la pluie ou utiliser dans les endroits humides.
	Protection oculaire	Porter toujours des lunettes protectrices conformes à la norme ANSI Z87.1.
	Ricochet	Des objets jetés peuvent ricocher et résulter en blessures ou dommage matériel.
	Garder les spectateurs à l'écart	Garder tout spectateur à une distance d'au moins 50 pieds (15 mètres).

SYMBOLES

Les symboles suivants et leur signification servent à expliquer les niveaux des risques liés à ce produit.

SYMBOLE	SIGNAL	SIGNIFICATION
	DANGER	Indique une situation extrêmement dangereuse qui, si elle n'est pas évitée, aura pour conséquence des blessures graves voire mortelles.
	AVERTISSEMENT	Indique une situation potentiellement dangereuses, qui si elle n'est pas évitée, peut entraîner des conséquences mortelles ou des blessures graves.
	ATTENTION	Indique une situation potentiellement dangereuse, si elle n'est pas évitée, peut résulter en blessures légères ou de gravité modérée.
	ATTENTION	(Sans symbole d'alerte de sécurité) Indique une situation pouvant entraîner des dommages matériels.

ENTRETIEN

L'entretien exige un soin minutieux et une bonne connaissance du produit et ne doit être effectué que par un spécialiste d'entretien qualifié. À cette fin nous vous recommandons de retourner le produit au **CENTRE D'ENTRETIEN AGRÉÉ** le plus proche. Lors de l'entretien du produit, utilisez uniquement des pièces de recharge identiques.

AVERTISSEMENT

Pour éviter toute blessure grave ne tentez pas d'utiliser ce produit avant de lire le Manuel d'Utilisation et le comprendre complètement. Si vous ne comprenez pas les avertissements ou les instructions de ce Manuel d'Utilisation, n'utilisez pas ce produit. Veuillez appeler le service clientèle pour assistance. Lors de l'utilisation de tout outil électrique d'autres objets pourraient pénétrer dans vos yeux et produire des dommages oculaires graves. Avant d'utiliser un outillage électrique portez toujours des lunettes de protection ou de sécurité avec des écrans latéraux, et si nécessaire, un masque facial complet. Nous recommandons d'utiliser le Wide Vision Safety Mask au-dessus de vos lunettes de protection ou des lunettes de sécurité ordinaires avec des écrans latéraux. Utilisez toujours une protection oculaire conforme à la norme ANSI Z87.1.

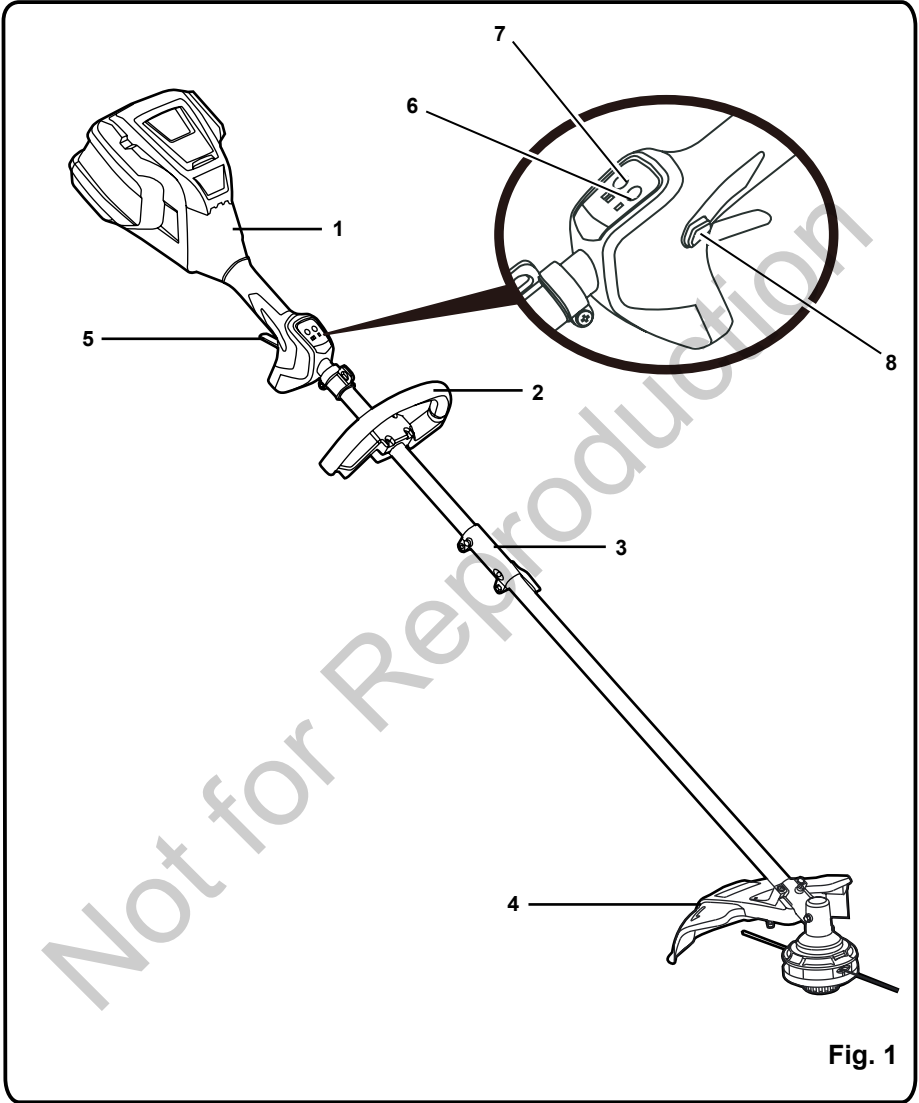
AVERTISSEMENT



Lors de l'utilisation de tout outil électrique d'autres objets pourraient pénétrer dans vos yeux et produire des dommages oculaires graves. Avant d'utiliser un outillage électrique portez toujours des lunettes de protection ou de sécurité avec des écrans latéraux, et si nécessaire, un masque facial complet. Nous recommandons d'utiliser le Wide Vision Safety Mask au-dessus de vos lunettes de protection ou des lunettes de sécurité ordinaires avec des écrans latéraux. Utilisez toujours une protection oculaire conforme à la norme ANSI Z87.1.

CONSERVEZ CES INSTRUCTIONS

CONNAITRE VOTRE COUPE-HERBE



CONNAITRE VOTRE COUPE-HERBE

CONNAITRE VOTRE COUPE-HERBE (Voir Illustration 1.)

L'utilisation sûre de ce produit exige une compréhension des renseignements figurant sur l'outil et contenus dans ce manuel d'utilisation, ainsi qu'une bonne connaissance du projet que vous entreprenez. Avant d'utiliser ce produit, familiarisez-vous avec toutes ses caractéristiques et les règles de sécurité.

1. POIGNÉE ARRIÈRE

La poignée ergonomique enveloppante permet un confort et une prise supplémentaires.

2. POIGNÉE AUXILIAIRE

Pour davantage de contrôle et de simplicité d'utilisation, le coupe-herbe est équipée d'une poignée auxiliaire.

4. COUPLEUR

Le coupleur permet de connecter et de verrouiller ensemble les deux tiges.

4. DÉFLECTEUR D'HERBE

Le coupe-herbe est muni d'un déflecteur d'herbe qui permet de vous protéger contre les débris.

5. SÉLECTEUR DE VITESSES

Pour davantage de contrôle et de précision.

6. BOUTON MARCHE/ARRÊT

Appuyez sur le commutateur Marche/Arrêt pour mettre en marche ou arrêter l'unité.

7. BOUTON DE VITESSE ÉLEVÉE/FAIBLE

Le bouton de vitesse élevée/faible permet de régler la vitesse.

8. BOUTON DE VERROUILLAGE

Le bouton de verrouillage de sécurité permet de prévenir tout démarrage accidentel.

ASSEMBLAGE

DÉBALLAGE

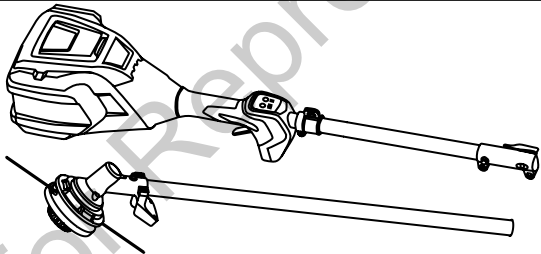
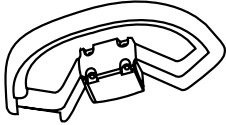
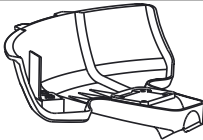

Ce produit exige un assemblage.

- Sortez le produit et les accessoires soigneusement de la boîte. Assurez-vous que toutes les pièces figurant sur la liste de contrôle sont incluses.
- Examinez soigneusement le produit pour s'assurer que rien n'a été brisé ou endommagé en cours de transport.
- Ne jetez pas les matériaux d'emballage avant d'avoir soigneusement examiné le produit et avoir vérifié qu'il fonctionne à votre satisfaction.
- Si des pièces manquent ou sont endommagées, appeler le 1-800-317-7833.

⚠ AVERTISSEMENT

N'utilisez pas ce produit si vous remarquez qu'une pièce figurant sur la liste de contrôle est déjà assemblée après avoir déballé le produit. Aucune pièce de cette liste n'est assemblée par le fabricant et exige une installation de la part de l'utilisateur. L'usage d'un produit assemblé incorrectement peut résulter en de blessures graves.

LISTE DE CONTRÔLE D'EXPÉDITION

Nom des pièces	Figure	Qté
Coupe-herbe		1
Poignée auxiliaire		1
Défecteur d'herbe		1
Manuel d'utilisation		1

ASSEMBLAGE

⚠ A V E R T I S S E M E N T

Si des pièces manquent ou sont endommagées, ne pas utiliser ce produit avant qu'elles aient été remplacées. L'usage de ce produit avec des pièces endommagées ou manquantes peut résulter en de blessures graves.

⚠ A V E R T I S S E M E N T

Ne tentez pas de modifier ce produit ou de créer des accessoires non recommandés pour ce produit. De telles altérations ou modifications sont considérées comme un usage abusif et peuvent créer des conditions dangereuses, risquant d'entraîner des blessures graves.

⚠ A V E R T I S S E M E N T

Ne branchez pas sur la source d'alimentation avant d'avoir terminé l'assemblage. Le non-respect de cet avertissement peut causer un démarrage accidentel, entraînant des blessures graves.

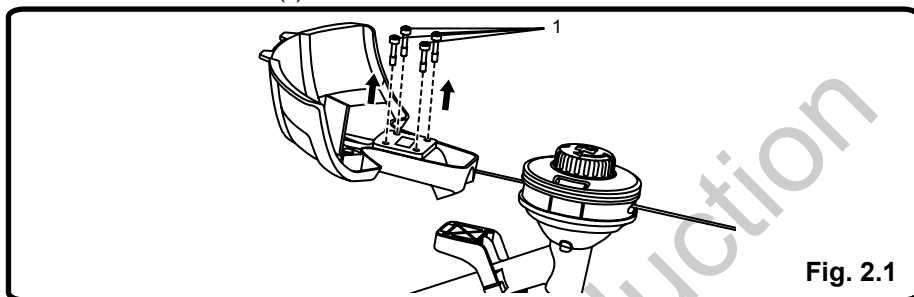
Not for Reproduction

ASSEMBLAGE

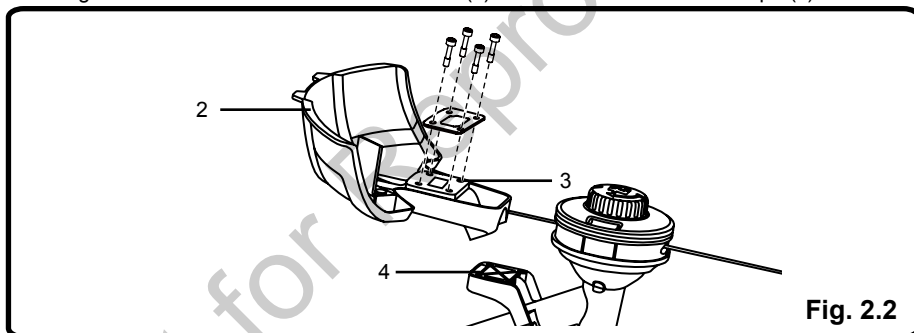
INSTALLER LE DÉFLECTEUR D'HERBE (Voir Illustration 2.)

REMARQUE: Installez le déflecteur d'herbe avant que l'accessoire ne soit raccordé au bloc moteur.

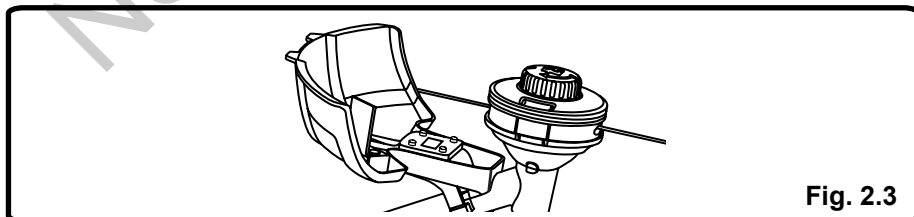
1. Retournez le coupe-herbe pour avoir accès à la tête du coupe-herbe.
2. Retirez les vis fournies (1) du déflecteur en utilisant un tournevis cruciforme.



3. Installez le déflecteur (2) sur la tête de coupe.
4. Alignez les trous de la vis sur le déflecteur (3) avec ceux de la tête de coupe (4).



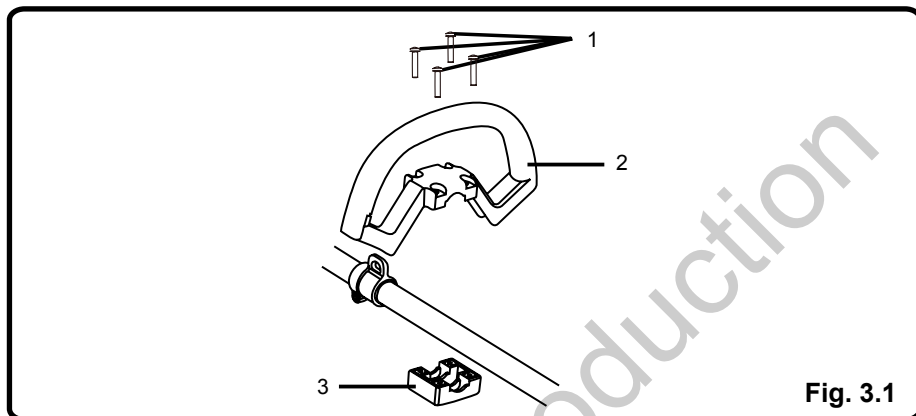
5. Insérez les vis dans la tête de coupe, en serrant le déflecteur avec un tournevis cruciforme (non fourni).



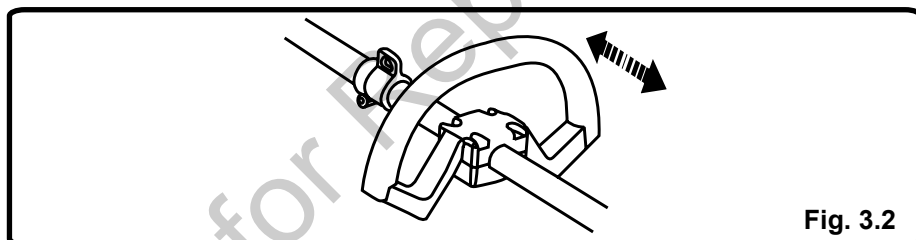
ASSEMBLAGE

INSTALLER LA POIGNÉE AVANT (Voir Illustration 3.)

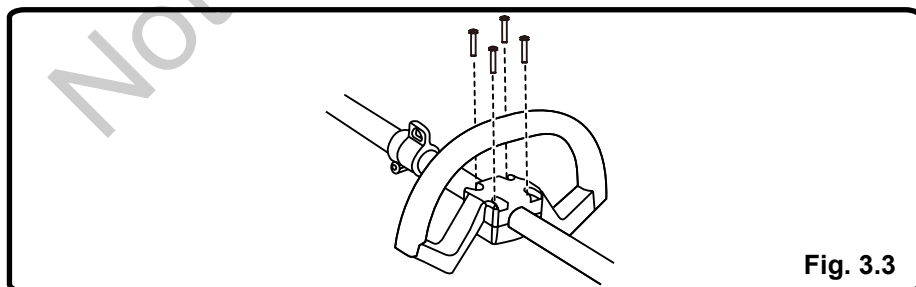
1. Dévissez les quatre vis (1) de la poignée à l'aide d'un tournevis cruciforme (non fourni) puis retirez les vis de la poignée.



2. Fixez la poignée auxiliaire (2) et la fixation inférieure (3) de la tige.
3. Ajustez la hauteur de la poignée, si nécessaire, à la position de votre choix.



4. Serrez les quatre vis de manière à ce que la poignée ne puisse bouger sur la tige.



ASSEMBLAGE

INSTALLATION DE LA TIGE SUPÉRIEURE ET DE LA TIGE INFÉRIEURE

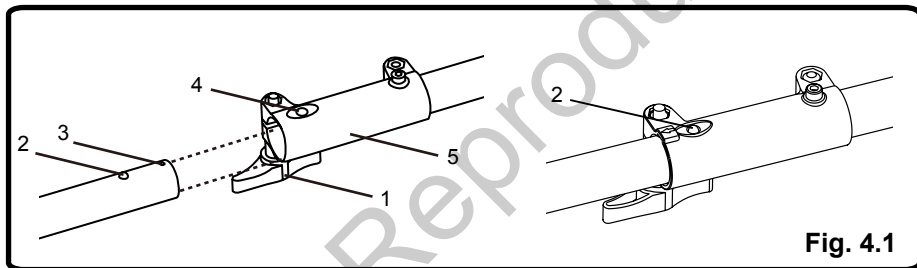
(Voir Illustration 4.)

⚠ A V E R T I S S E M E N T

Veillez à ne jamais installer, retirer ou régler un accessoire lorsque la débroussailleuse est en marche. Ne pas préalablement arrêter le moteur peut causer de graves blessures.

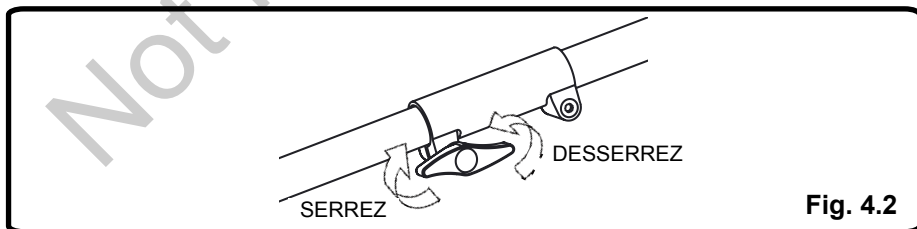
L'accessoire se fixe à la tête de coupe au moyen d'un adaptateur.

1. Installez l'unité sur une surface plane.
2. Desserrez le bouton (1) du coupleur (5).
3. Appuyez sur le bouton de déverrouillage (2) situé sur l'axe de l'accessoire (3). Alignez le bouton de déverrouillage avec l'orifice de positionnement (4) puis assemblez les deux axes. Tournez l'axe de l'accessoire jusqu'à ce que le bouton se verrouille dans l'orifice correspondant.



REMARQUE : Si le bouton ne s'enclenche pas complètement dans le trou de positionnement, les arbres ne sont pas bien verrouillés. Tournez-les légèrement dans deux sens jusqu'à ce que le bouton s'enclenche complètement.

4. Serrez le bouton fermement.



ASSEMBLAGE

AJUSTER LA LARGEUR DE COUPE (Voir Illustration 5.)

Ce coupe-herbe est équipée d'une lame coupe-ligne montée sur le déflecteur. Pour obtenir une coupe optimale, faire progresser le fil jusqu'à ce qu'il soit coupé à la longueur correcte par la lame coupe-ligne. Le fil doit être avancé chaque fois que le moteur tourne à une vitesse supérieure à la normale ou lorsque la coupe devient moins efficace. Ceci permet de maintenir une efficacité maximum et de maintenir une longueur de fil suffisante pour avancer correctement.

Le coupe-herbe est actuellement réglé à une largeur de coupe de 35,6 cm. Pour ajuster la largeur de coupe à 40,6 cm:

- Retirer la batterie.
- Desserrer la vis et faire pivoter la lame de 180°.
- Serrer la vis.

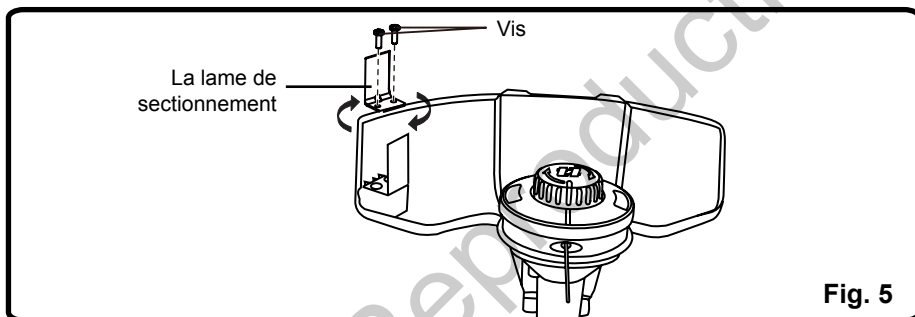


Fig. 5

UTILISATION

⚠ AVERTISSEMENT

Lisez et veillez à bien comprendre le manuel d'utilisation en entier pour chaque accessoire optionnel de cette tête de coupe électrique. Suivez toutes les consignes de sécurité et les instructions. Le non-respect de ces instructions peut résulter en choc électrique, incendie et/ou des blessures graves.

⚠ AVERTISSEMENT

Ne laissez pas la familiarité avec le produit vous faire oublier la prudence. N'oubliez pas qu'une fraction de seconde d'inattention peut entraîner des blessures graves.

⚠ AVERTISSEMENT

N'utilisez pas des accessoires non recommandés par le fabricant sur ce produit. L'usage des accessoires non recommandés pourrait résulter en blessures graves.

⚠ AVERTISSEMENT

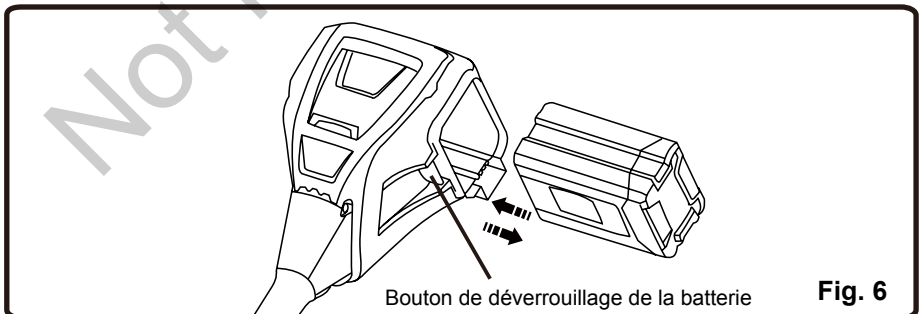
Ce coupe-herbe n'est pas prévu à utiliser avec les accessoires de débroussailleur. L'emploi de l'accessoire de débroussailleur pourrait provoquer des blessures graves ou des dommages matériels.

INSTALLATION DE LA BATTERIE (Voir Illustration 6.)

- Insérez la batterie dans l'outil jusqu'à entendre un clic.

RETIRER LA BATTERIE (Voir Illustration 6.)

- Appuyez sur le bouton de déverrouillage de la batterie situé à l'arrière de la batterie puis sortez la batterie de l'outil.



UTILISATION

DÉMARRER ET ARRÊTER LA TÊTE DE COUPE ÉLECTRIQUE (Voir Illustration 7.)

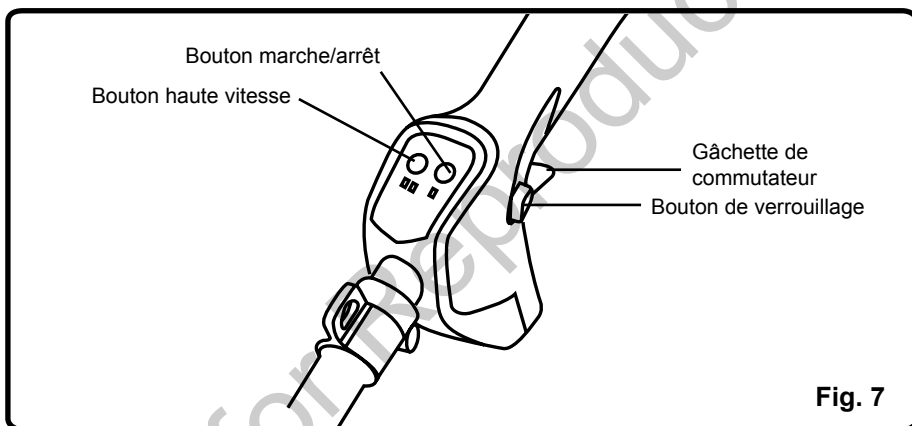
Pour démarrer la tête de coupe électrique:

- Pressez sur le bouton marche/arrêt.
- Pressez le bouton de verrouillage et appuyez sur la gâchette.
- Appuyez sur la haute vitesse pour augmenter la vitesse dépendant de la densité de l'herbe. Deux DELs s'illuminent au dessus du bouton de vitesse élevée en indiquant que le taille-bordures est réglé à haute vitesse.

Pour arrêter la tête de coupe électrique:

- Relâcher la gâchette.
- Appuyez sur le bouton d'alimentation à nouveau pour éteindre l'appareil.

Remarque: L'appareil s'éteindra automatiquement après avoir été inactif pendant 1 minute.



UTILISATION

L'UTILISATION DU COUPE-HERBE (Voir Illustration 8.)

⚠ A V E R T I S S E M E N T

Toujours tenir le coupe-herbe à distance de soi en maintenant un périmètre de sécurité entre le corps et le coupe-herbe. Tout contact avec la tête de coupe du coupe-herbe en cours d'utilisation peut causer des blessures graves.

Suivre ces conseils lors de l'utilisation du coupe-herbe :

- Tenir le coupe-herbe avec la main droite sur la poignée arrière et la main gauche sur la poignée avant.
- Garder une prise ferme sur les deux poignées pendant le fonctionnement.
- Maintenir le coupe-herbe dans une position confortable, la poignée arrière à peu près à la hauteur de la taille.
- Couper les herbes hautes de haut en bas. Ceci empêchera l'herbe de s'enrouler sur le perche et la tête de coupe, ce qui pourrait causer des dommages dus à une surchauffe.

Si l'herbe s'enroule autour de la tête de coupe :

- Retirer la batterie.
- Retirer l'herbe.



Fig. 8

UTILISATION

⚠ A V E R T I S S E M E N T

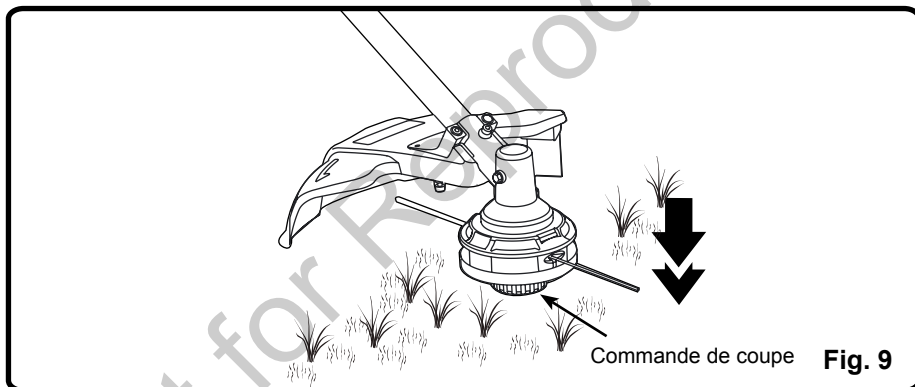
Tout contact avec l'accessoire de la tête-coupe peut provoquer des brûlures et/ou autres blessures graves.

⚠ A V E R T I S S E M E N T

Lisez les avis de sécurité lorsque vous utilisez un accessoire à lame et consultez les consignes de sécurité et les instructions de votre manuel des accessoires. N'utilisez jamais de débroussailluse ou d'autre type d'accessoire avec cette tête de coupe électrique. L'utilisation incorrecte de lame ou d'autres accessoires peut résulter en blessures graves.

AVANCE DE LIGNE DE COUPE (Voir Illustration 9.)

En cours de fonctionnement de l'outil, le fil de coupe s'use et se raccourcit. Ce coupe-herbe est équipée d'un dispositif d'avancement par coup de la longueur du fil qui règle par coup au sol la longueur du fil lorsque celui-ci se raccourcit. La lame de coupe permet de couper l'excès de fil afin de maintenir une largeur de coupe homogène.

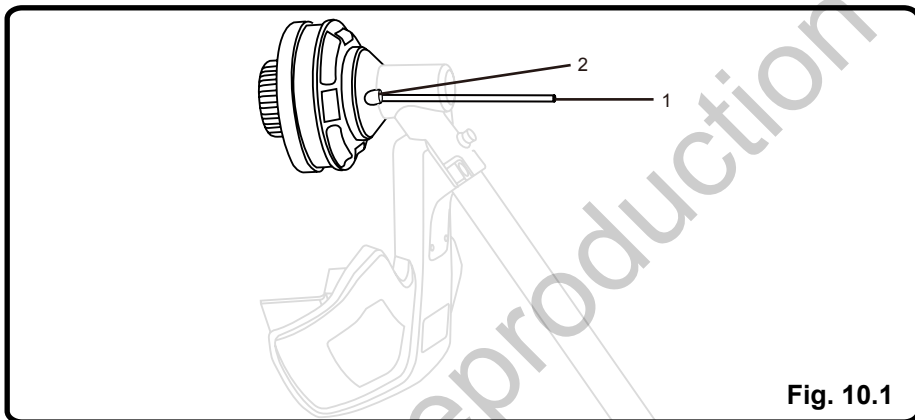


UTILISATION

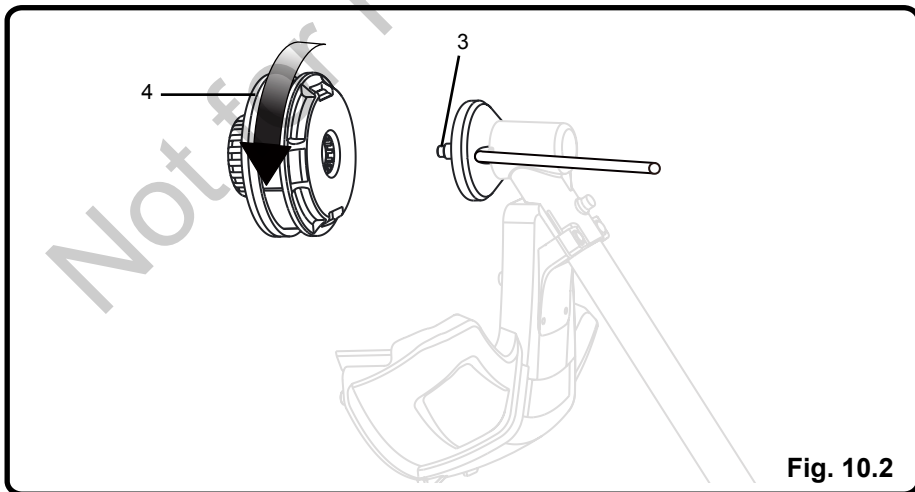
REPLACEMENT DE LA TÊTE DE COUPE (Voir Illustration 10.)

La tête de coupe doit être remplacée lorsque vous apercevez des dommages ou lorsque les indicateurs d'usure de la partie avant sont usés. Si vous remplacez seulement le fil, consultez la section Remplacer le fil de ce manuel.

1. Arrêtez l'appareil puis retirez la batterie.
2. Insérez l'outil de verrouillage de la tête de coupe ou un tournevis (1) à travers l'emplacement (2).



3. Insérez l'outil de verrouillage de la tête de coupe ou un tournevis (4) à travers l'emplacement (3).



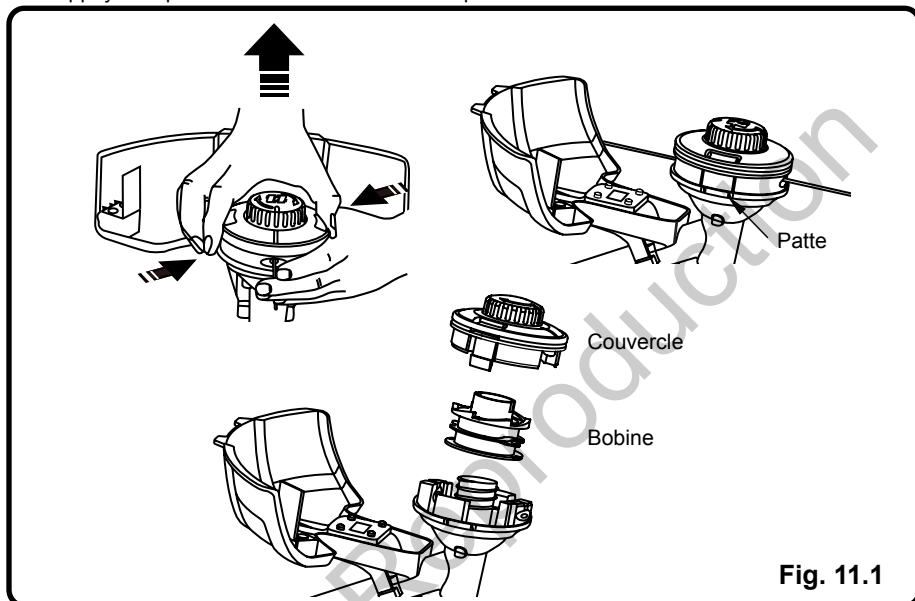
4. Installez la nouvelle tête de coupe puis tournez-la dans le sens anti-horaire pour la fixer.

UTILISATION

REPLACEMENT DE LA BOBINE (Voir Illustration 11.)

Si vous remplacez seulement le fil, consultez la section **Remplacer le fil** de ce manuel.

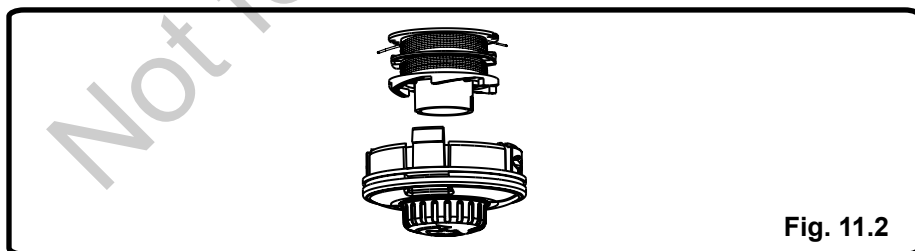
1. Appuyez les pattes du côté de la tête de coupe et enlevez le couvercle et la bobine.



2. Retirez tout fil restant.

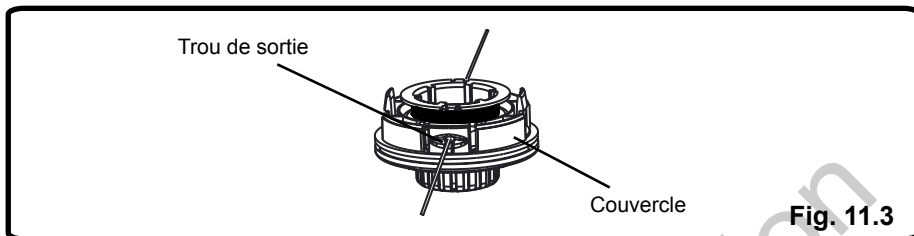
3. Nettoyez la saleté et les débris de toutes les pièces.

4. Installez la bobine dans son couvercle comme indiqué ci-dessous.

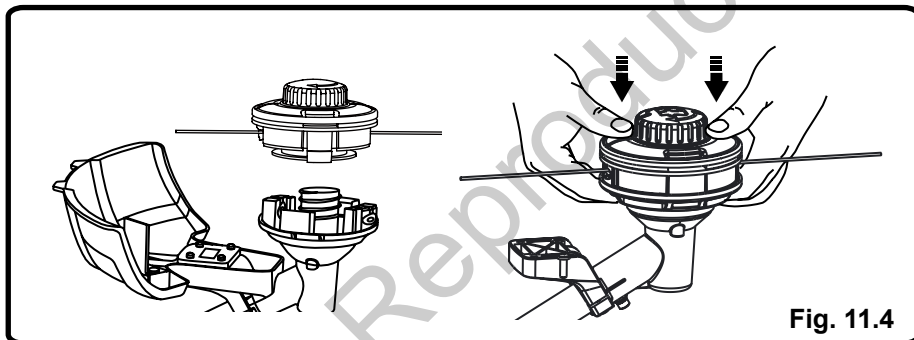


UTILISATION

5. Insérez le bouts du fil dans les trous de sortie situés sur le couvercle.

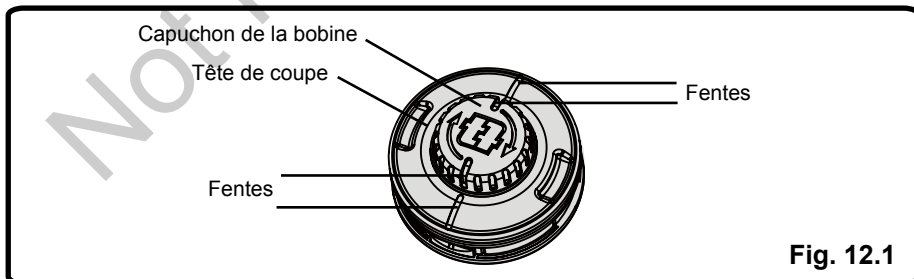


6. Réinstallez la bobine et le couvercle sur la tête de coupe. Poussez jusqu'à ce que le couvercle soit bien bloqué en place.



REPLACER LE FIL (Voir Illustration 12.)

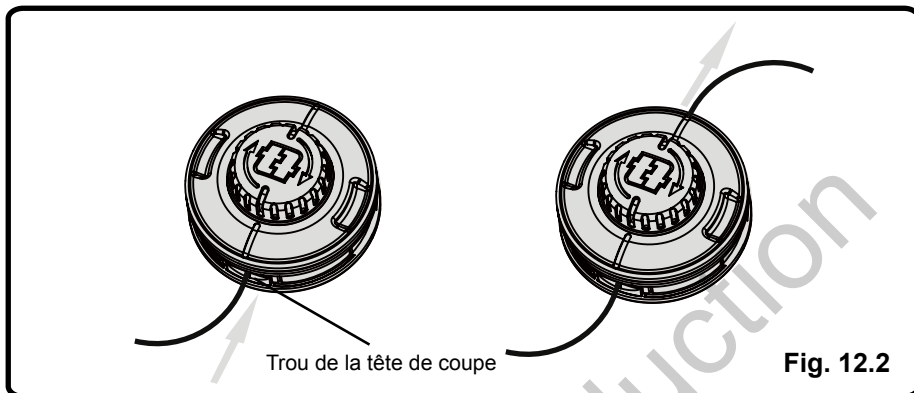
1. Aalignez les fentes sur le capuchon de la bobine avec les fentes de la tête de coupe.



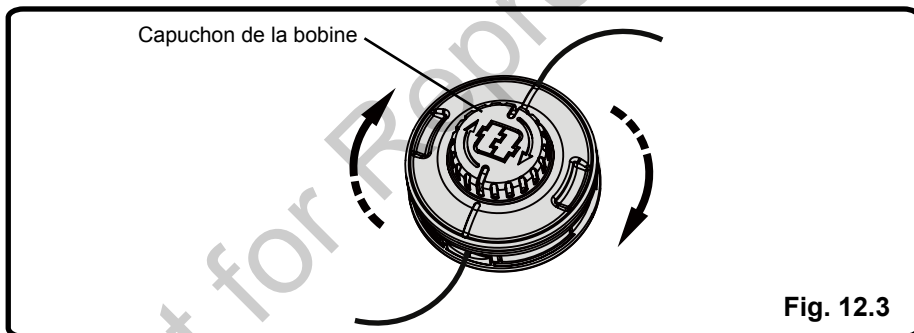
2. Insérez le fil par le trou de la tête de coupe. Poussez le fil jusqu'à ce qu'il sorte du trou opposé à la tête de coupe.

UTILISATION

3. Tirez le fil à travers jusqu'à ce qu'il y a du fil égal de chaque côté.



4. Tournez le capuchon de la bobine dans le sens des aiguilles d'une montre pour commencer le bobinage du fil dans la tête de coupe. Laissez environ 5 pouces de fil sortant de chaque côté de la tête.



UTILISATION

CONSEILS DE COUPE (Voir Illustration 13.)

- Pour une efficacité maximale, gardez le coupe-herbe incliné vers la zone de coupe; ce qui est la meilleure zone de coupe.
- Pour couper avec le coupe-herbe, utilisez-le en un mouvement de balayage de droite à gauche. Ceci évite que les débris soient projetés en direction de l'utilisateur. Évitez de couper dans la zone dangereuse comme le montre l'illustration 13.
- Coupez avec l'extrémité de la ligne; ne forcez pas la tête de coupe dans l'herbe non coupée.
- Les palissades en métal et en bois accélèrent l'usure de la ligne et peuvent la faire casser. Les murs en pierre et brique, trottoirs et pièces de bois peuvent user la ligne rapidement.
- Contournez les arbres et les arbustes. L'écorce des arbres, les moulures en bois, le lambrisage et les piquets de palissades peuvent être facilement endommagés par la ligne.

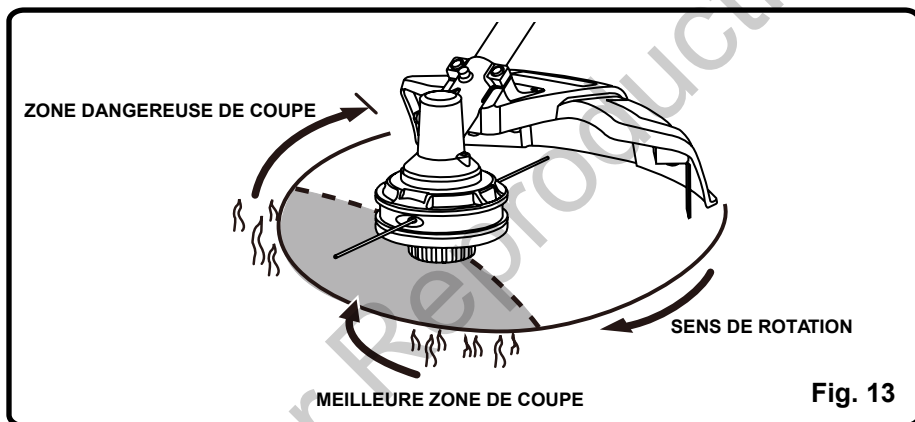


Fig. 13

ENTRETIEN DE LA BATTERIE ET DU CHARGEUR

CHARGEUR

NOTE: La batterie fournie n'est pas complètement chargée. Il est recommandé de la charger complètement avant le premier usage pour atteindre un temps d'autonomie maximale. Cette batterie lithium-ion ne développera aucun mémoire et peut être chargée à votre gré.

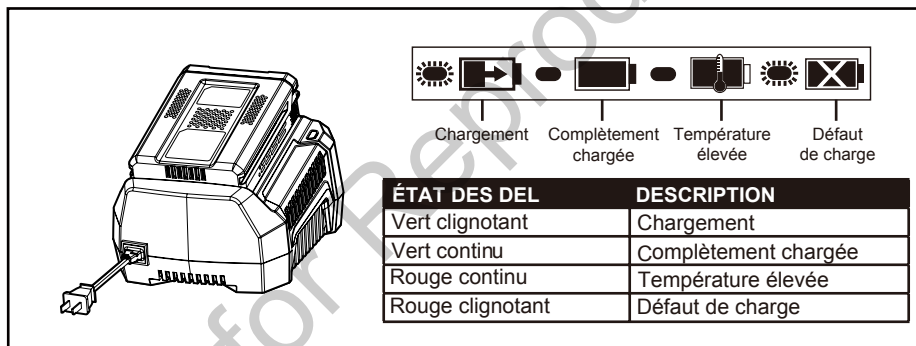
Chargement à faible tension :

Si la batterie a été stockée à faible charge ou sans charge pour une longue durée de temps, le chargeur entre dans le mode de reprise qui prend 20 heures pour une charge complète de la batterie. Ceci augmente la vie de la batterie. Une fois qu'elle est chargée complètement, la prochaine charge reprend le temps de rechargement standard.

Toute batterie déchargée nécessite une période de refroidissement, celle-ci est mentionnée dans le manuel d'utilisation de la batterie.

- Branchez le chargeur dans une prise secteur.
- Insérez la batterie dans le chargeur.

Ce chargeur est de type diagnostique. Le voyant à LED s'allumera en un ordre particulier afin de communiquer l'état actuel de la batterie. Cet ordre est comme suit:



Indication de défectuosité :

Lorsque la batterie est insérée dans le chargeur et que les DEL clignotent en rouge, retirez la batterie du chargeur pendant une minute puis insérez-la de nouveau. Si les DEL clignotent en vert, cela signifie que la batterie est en cours de chargement normal. Si les DEL clignotent encore en rouge, retirez la batterie et débranchez le chargeur à nouveau.

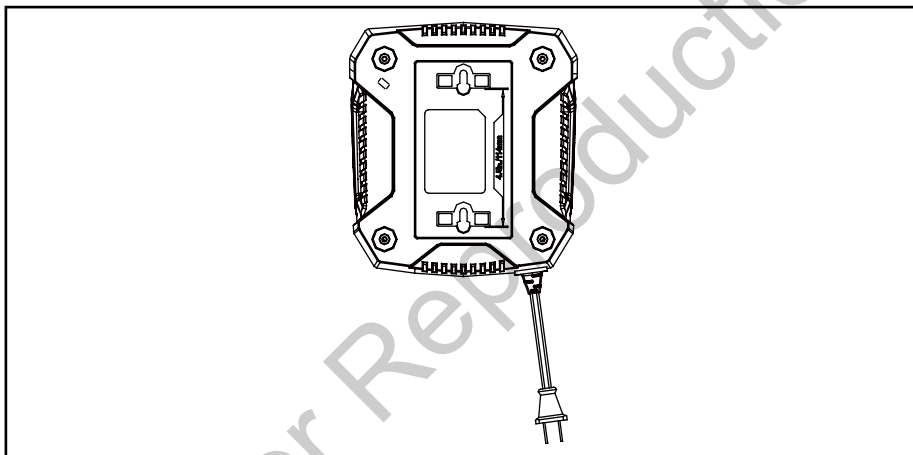
Attendez une minute puis rebranchez le chargeur et réinsérez la batterie. Si les DEL clignotent en vert, cela signifie que la batterie est en cours de chargement normal. Si les DEL clignotent toujours en rouge, la batterie est défectueuse et doit être remplacée.

ENTRETIEN DE LA BATTERIE ET DU CHARGEUR

MONTAGE DU CHARGEUR

1. Ce chargeur peut être installé au mur au moyen de #8 vis (non incluses).
2. Repérez l'endroit où vous désirez effectuer le montage mural du chargeur.
3. Si l'endroit choisi comporte des montants de bois, utilisez 2 vis à bois (non incluses).
4. Percez deux trous séparés de 4,5 po en s'assurant que ceux-ci sont alignés verticalement.
5. Si la pose se fait sur des cloisons sèches, utilisez des ancrages pour le mur (non inclus) et des vis pour maintenir solidement en place le chargeur.

Note: *Si vous prévoyez ne pas utiliser la batterie et le chargeur durant une longue période, débranchez le cordon d'alimentation.*



ENTRETIEN

ENTRETIEN GÉNÉRAL

Évitez d'utiliser des solvants pour le nettoyage des pièces en plastique. La plupart des matières plastiques peuvent être endommagées par divers types de solvants commerciaux. Utilisez un chiffon propre pour éliminer la saleté, la poussière, le lubrifiant, la graisse, etc.

Nettoyez toujours l'appareil avant de la ranger, rangez celle-ci dans un endroit sec et en ayant préalablement chargé la batterie.

▲ A V E R T I S S E M E N T

En cas d'utilisation sous la lumière directe du soleil, protéger de l'eau et de l'exposition à la pluie.

Entreposer à l'intérieur et protéger de la pluie ou de l'eau, éviter une exposition directe à la lumière du soleil.

Tâche d'entretien	À chaque fois que la machine est utilisée	Toutes les deux heures	Chaque semaine	Après utilisation	Chaque année ou lorsque nécessaire
L'inspection visuelle des systèmes de sécurité de l'outil (dispositif d'écartement, œil de transport, boîtier de sécurité)	X			X	
Vérifiez le fonctionnement du système de sécurité de la gâchette	X				
Vérifiez le tranchant de la lame et affutez-les si nécessaire.	X	X			X
Vérifiez visuellement l'outil (aucune fissure ou déformation).	X	X			X
Vérifiez visuellement l'outil au niveau de la fixation de la tige (aucune déformation ou usure)	X	X			X
Vérifiez le niveau de charge de la batterie.	X				
Inspection de l'outil par un revendeur agréé					X

MISE AU REBUT DE LA BATTERIE SANS DANGER POUR L'ENVIRONNEMENT

Les cellules du bloc-batterie de cet outil comportent la ou les matières toxiques et corrosives suivantes: **le lithium-ion, une matière toxique.**



⚠ A V E R T I S S E M E N T

Toutes matières toxiques doivent être éliminées conformément aux directives afin d'éviter de contaminer l'environnement. Avant de mettre au rebut un bloc-batterie de type lithium-ion endommagé ou usé, communiquez avec votre agence locale d'élimination des déchets pour obtenir de plus amples renseignements et les directives appropriées. Apportez les batteries au centre local de recyclage et d'enfouissement autorisé pour la mise au rebut des batteries au lithium-ion.

⚠ A V E R T I S S E M E N T

Si le bloc-batterie comporte une fissure, et ce, même en l'absence d'une fuite, vous ne devez pas le recharger ou l'utiliser. Vous devez alors vous en débarrasser et le remplacer par un nouveau bloc-batterie. **N'ESSAYEZ PAS DE LE RÉPARER!** Ceci a pour but d'éviter les blessures et les risques d'incendie, de déflagration ou de choc électrique ou les possibilités de contaminer l'environnement:

- Couvrez les bornes de la batterie à l'aide d'un ruban adhésif résistant.
 - Ne tentez PAS de retirer ou de détruire un composant quelconque du bloc-batterie.
 - Ne tentez PAS d'ouvrir le bloc-batterie.
 - Lorsqu'une fuite survient, les substances électrolytes qui s'en dégagent sont corrosives et toxiques. ÉVITEZ que cette solution vous pénètre dans les yeux ou la peau et ne l'avalez pas.
 - ÉVITEZ de placer ce type de batteries dans vos ordures ménagères.
 - ÉVITEZ de les incinérer.
 - ÉVITEZ qu'elles se retrouvent dans un site d'enfouissement quelconque ou dans des installations municipales de déchets solides.
 - Apportez-les dans un centre d'enfouissement ou de recyclage accrédité.
-

DÉPANNAGE

Problème	Cause Possible	Solution
Le coupe-herbe ne peut pas démarrer lorsque j'appuie sur le bouton de verrouillage.	1. La batterie n'est pas fixée au coupe-herbe.	1. Fixez la batterie au coupe-herbe.
	2. Il n'y a pas de contact électrique entre l'outil et la batterie.	2. Retirez la batterie, vérifiez les contacts puis réinstallez la batterie.
	3. La batterie est à plat.	3. Chargez la batterie.
	4. Le levier de déverrouillage et la gâchette ne sont pas pressés simultanément.	4. Appuyez sur le bouton de déverrouillage puis maintenez-le enfoncé, appuyez ensuite sur la gâchette pour mettre en marche le coupe-herbe.
	5. N'appuyez pas sur le bouton d'alimentation, mais directement sur la gâchette.	5. Appuyez sur le bouton d'alimentation, l'indicateur d'alimentation se déclenche plus tard.
Le coupe-herbe s'arrête en cours de coupe.	1. Le déflecteur d'herbe n'est pas installé sur le coupe-herbe, ce qui entraîne une coupe longue et une surcharge du moteur.	1. Retirez la batterie et installez le déflecteur d'herbe sur le coupe-herbe.
	2. Un fil de coupe renforcé est utilisé par l'outil.	2. Utilisez uniquement un fil de diamètre 0,08" ou moins.
	3. La tige du moteur ou tête de coupe est remplie d'herbe.	3. Arrêtez le coupe-herbe, retirez la batterie, puis retirez l'herbe de la tige du moteur et de la tête de coupe.
	4. Le moteur est en surcharge.	4. Retirez l'herbe contenue dans la tête de coupe. Le moteur redémarre normalement une fois la charge retirée. En cours de coupe, déplacez la tête de coupe vers le haut et le bas pour couper l'herbe, veillez à ne pas couper plus de 8 pouces d'herbe par passage.
	5. La batterie ou le coupe-herbe sont trop chaud.	5. Laissez la batterie refroidir jusqu'à ce que la température chute en dessous de 158 °F (70 °C). Laissez le coupe-herbe refroidir jusqu'à ce que la température chute en-dessous de 140 °C.
	6. La batterie est déconnectée de l'outil.	6. Réinstallez la batterie.
	7. La batterie est à plat.	7. Chargez la batterie.

DÉPANNAGE

Problème	Cause Possible	Solution
Le fil n'avance pas.	1. La bobine est coincée.	1. Lubrifiez à l'aide d'un lubrifiant.
	2. Pas assez de fil sur la bobine.	2. Installez une nouvelle bobine. Consultez la section Remplacer le fil de ce manuel.
	3. Les fils sont trop usés.	3. Tirez les deux lignes tout en appuyant sur un bouton.
	4. Les fils sont coincés dans la bobine.	4. Retirez le fil de la bobine puis rembobinez-le. Reportez-vous à la section Remplacement du fil mentionnée dans les chapitres précédents de ce manuel.
Le fil n'arrête pas de se couper.	1. Le coupe-herbe n'est pas correctement utilisée.	1. Coupez toujours en utilisant le bout du fil, évitez les pierres, les murs et les autres objets solides. Alimentez le fil régulièrement afin de maintenir une largeur de coupe totale.
L'herbe s'enroule autour de la tête de coupe et du moteur du coupe-herbe.	1. Coupez l'herbe haute au niveau du sol.	1. Coupez l'herbe haute de haut en bas, en coupant pas plus de 8 pouces d'herbe à chaque passage afin de prévenir tout enroulement.
Le fil coupe mal.	1. La lame découpe-fil située au bord du déflecteur d'herbe est émoussée.	1. Affûtez la lame avec une lime ou remplacez-la par une nouvelle.

GARANTIE LIMITÉE

Briggs & Stratton garantit la réparation ou le remplacement gratuit, pendant la période de garantie spécifiée ci-dessous, de toute pièce présentant des vices de matériaux ou de fabrication. Les frais de transport du produit à réparer ou remplacer seront, dans le cadre de cette garantie, réglés par l'acheteur. Cette garantie court sur les périodes énoncées ci-dessous et est assujettie aux conditions énoncées ci-dessous. Pour trouver le distributeur autorisé le plus proche afin d'obtenir les services couverts par la garantie, veuillez consulter notre carte de localisation de distributeur sur www.SNAPPER.com. L'acheteur doit contacter le distributeur autorisé, puis lui apporter le produit à des fins d'inspection et de test.

Il n'y a pas d'autre garantie expresse. Les garanties implicites, y compris celles de qualité marchande et d'adaptation à un emploi particulier, sont limitées à une année à partir de la date d'acquisition ou conformément à ce qui est prévu par la loi. La responsabilité pour les dommages consécutifs ou indirects est exclue dans la mesure où l'exclusion est prévue par la loi. Certains états ou pays ne permettent pas les limitations de durée de la garantie implicite. Certains états ou pays n'autorisent pas l'exclusion ou la limitation des dommages consécutifs ou indirects. Dans ce cas, la limitation ci-dessus ne s'applique pas à votre cas. La présente garantie vous offre des droits juridiques spécifiques et il se peut que vous ayez d'autres droits qui varient d'une juridiction à une autre, ou d'un pays à un autre.**

PÉRIODE DE GARANTIE

	Usage privé	Usage professionnel
Équipement	60 mois	90 jours
Batterie et chargeur de batterie	24 mois	Aucun

** En Australie - Nos produits sont livrés avec des garanties qui ne peuvent pas être exclues d'après les droits de la consommation australiens. Vous pouvez obtenir un remplacement ou un remboursement en cas de défaillance majeure ou en compensation de toute perte ou de tout dommage survenu dans le cadre des conditions raisonnablement prévisibles d'utilisation du produit. Vous pouvez également bénéficier de la réparation ou du remplacement des produits si la qualité de ces derniers n'est pas acceptable et si le défaut n'entraîne pas de défaillance majeure. Pour trouver le distributeur autorisé le plus proche afin d'obtenir les services couverts par la garantie, veuillez consulter notre carte de localisation de distributeur sur [insérer l'adresse du site Web], composer le 1300 274 447, ou envoyer une demande par voie électronique à l'adresse salesenquiries@briggsandstratton.com.au, Briggs & Stratton Australia Pty Ltd, 1 Moorebank Avenue, NSW, Australie, 2170.

La période de garantie commence à la date de l'achat par l'acheteur au détail ou commercial, initial. « Utilisation grand public » fait référence à un emploi dans une résidence individuelle par un particulier. « Utilisation commerciale » indique toutes les autres utilisations possibles, y compris commerciales, créatrices de revenus ou locatives. Une fois l'équipement utilisé à des fins commerciales, il est considéré comme un produit d'utilisation commerciale dans le cadre de cette garantie.

Afin d'assurer une couverture totale et rapide de la garantie, enregistrez votre produit sur le site Web indiqué ci-dessus ou sur www.onlineproductregistration.com, ou bien envoyez par la poste la carte d'enregistrement de la garantie remplie (si elle est fournie), ou composez le 1-800-743-4115 (aux É.-U.).

GARANTIE LIMITÉE

Conservez votre reçu d'achat comme preuve. Si vous n'avez pas de preuve de la date de l'achat initial au moment de la demande d'un service en vertu de la garantie, la date de fabrication du produit sera utilisée pour déterminer la période de garantie. L'enregistrement du produit n'est pas requis pour obtenir un service en vertu de la garantie pour les produits Briggs & Stratton.

AU SUJET DE LA GARANTIE

Un service en vertu de la garantie n'est disponible que par l'intermédiaire des distributeurs autorisés Snapper. Parfois, les demandes de réparations dans le cadre de la garantie peuvent ne pas être pertinentes. La présente garantie couvre uniquement les vices de matériaux ou de fabrication. Elle ne couvre pas les dommages causés par une utilisation inappropriée ou abusive, un entretien ou une réparation inapproprié, ou l'usure normale.

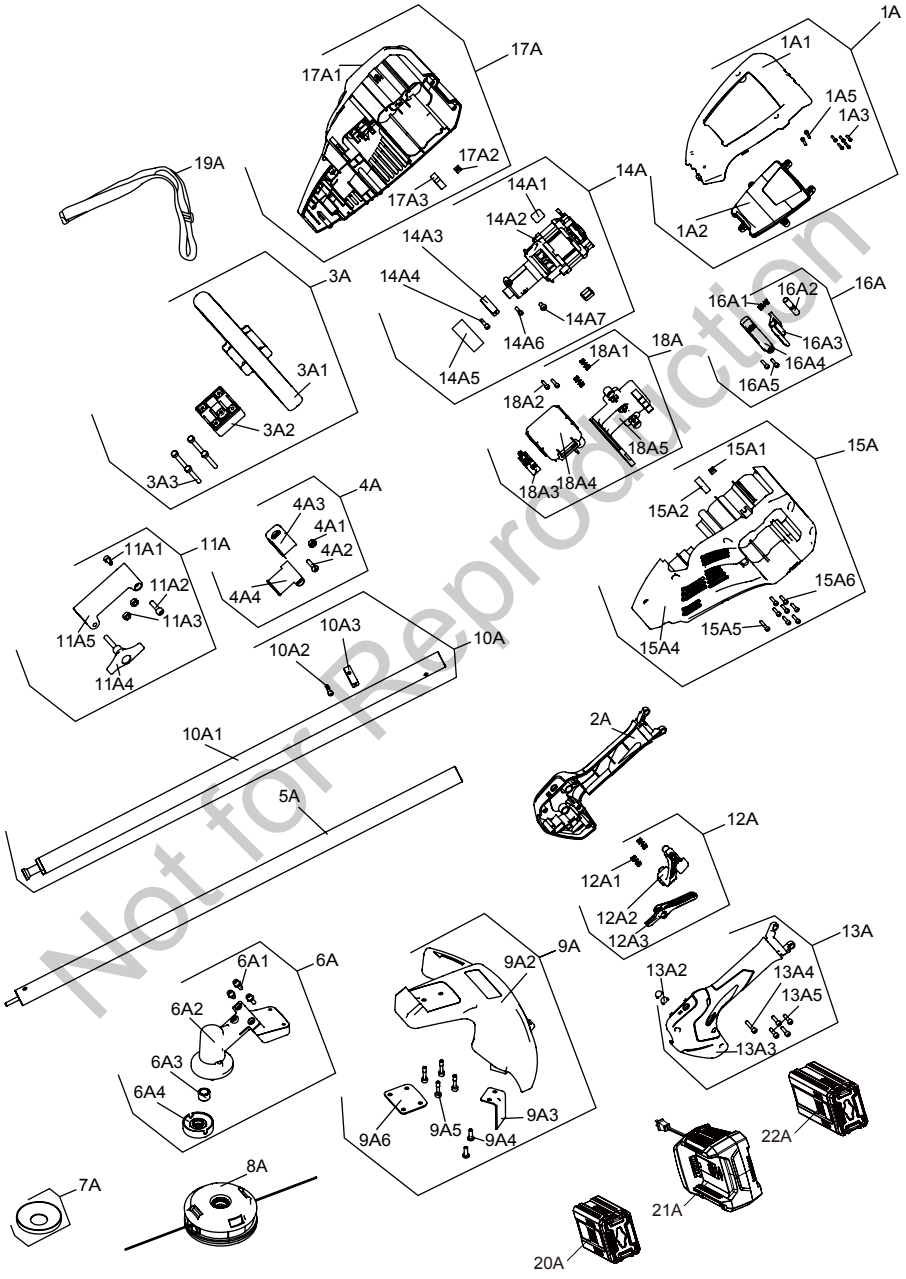
Utilisation inappropriée ou emploi abusif – L'emploi approprié comme il est prévu pour ce produit est décrit dans le mode d'emploi. L'utilisation du produit d'une façon non décrite dans le manuel d'utilisation ou l'emploi du produit après qu'il a été endommagé a pour effet d'annuler la garantie. Vous ne pourrez vous prévaloir de la garantie si le numéro de série du produit a été retiré, si le produit a été modifié d'une manière quelconque ou s'il présente des preuves d'utilisation abusive, telles que des marques de coups ou de corrosion par l'eau ou des produits chimiques.

Réparation ou entretien inapproprié – Ce produit doit être entretenu selon les procédures et les programmes d'entretien décrits dans le manuel de l'utilisateur. En outre, il doit être dépanné ou réparé en utilisant des pièces d'origine Briggs & Stratton ou des pièces équivalentes. Les dommages causés par un manque d'entretien ou l'utilisation de pièces n'étant pas d'origine, ne sont pas couverts par la garantie.

Usure normale – Comme tous les appareils mécaniques, votre machine est sujette à l'usure même en cas d'entretien approprié. Cette garantie ne couvre pas la réparation de pièces ou d'équipements usés par un usage normal. Les articles d'entretien et d'usure, tels que filtres, courroies, lames et plaquettes de freins (les plaquettes de frein moteur sont couvertes) ne sont pas couverts par la garantie, uniquement en raison de leur caractéristique d'usure, à moins que la cause ne soit due à des vices de matériaux ou de fabrication.

Autres exclusions – Cette garantie ne couvre pas les dégâts dus à des accidents, des abus, des modifications, des altérations ou un entretien incorrect, ni les détériorations provoquées par le gel ou par une agression chimique. Les pièces ou accessoires rattachés ne faisant pas partie du conditionnement d'origine du produit ne sont également pas couverts. Cette garantie ne comporte pas les moteurs ou équipement de démonstration, usagés, d'occasion ou remis à neuf. Cette garantie ne couvre pas les détériorations provoquées par des catastrophes naturelles ou autres cas de force majeure dépassant le contrôle des fabricants.

VUE ÉCLATÉE



LISTE DES PIÈCES

N° de réf.	No de pièce	Description	Qté
1A	770148	KIT, LOGEMENT SUPÉRIEUR COUVERCLE, NA	1
1A1	-----	COUVERCLE, SUPÉRIEUR	1
1A2	-----	INSÉRER, COUVERCLE SUPÉRIEUR	1
1A3	-----	VIS	5
1A5	-----	VIS	2
2A	770149	POIGNÉE, DROITE	1
3A	770150	KIT, AUX POIGNÉE	1
3A1	-----	POIGNÉE, AUX	1
3A2	-----	BASE, POIGNÉE AUX	1
3A3	-----	VIS	4
4A	770151	KIT, HARNAIS PINCE	1
4A1	-----	BOULON	1
4A2	-----	VIS	1
4A3	-----	PINCE, HARNAIS	1
4A4	-----	CLIP, HARNAIS	1
5A	770153	AXE, PARTIE INFÉRIEUR	1
6A	770152	KIT, ROULEMENT BOÎTIER	1
6A1	-----	VIS	3
6A2	-----	ENSEMBLE, ROULEMENT BOÎTIER	1
6A3	-----	MANCHON, AXE	1
6A4	-----	BASE, LAME FIXE	1
7A	770154	PLATEAU, PROTECTION HERBE	1
8A	770155	TÊTE, RESSORT	1
9A	770156	KIT, PROTECTION ENSEMBLE	1
9A2	-----	PROTECTION	1
9A3	-----	LAME	1
9A4	-----	VIS	2
9A5	-----	BOULON	4
9A6	-----	SUPPORT, PROTECTION PLAT	1
10A	770157	KIT, PARTIE SUPÉRIEURE AXE	1
10A1	-----	AXE, PARTIE SUPÉRIEURE	1
10A2	-----	VIS	1
10A3	-----	CLIP	1
11A	770158	KIT, COUPLAGE ENSEMBLE	1
11A1	-----	BOULON	1
11A2	-----	VIS	1
11A3	-----	BOULON	2

LISTE DES PIÈCES

N° de réf.	No de pièce	Description	Qté
11A4	----	BOULON, T	1
11A5	----	COUPLAGE	1
12A	770159	KIT, COMMUTATEUR ET VERROU BOUTON	1
12A1	----	BOUTON, VERROUILLAGE	1
12A2	----	BOUTON, VERROUILLAGE	1
12A3	----	GÂCHETTE	1
13A	770160	KIT, GAUCHE POIGNÉE	1
13A2	----	BOUTON, PCB	2
13A3	----	POIGNÉE LOGEMENT	1
13A4	----	VIS	1
13A5	----	VIS	4
14A	770162	KIT, MOTEUR ET COMMUTATEUR	1
14A1	----	SUPPORT, CAOUTCHOUC PLAT	2
14A2	----	MOTEUR	1
14A3	----	CLIP	1
14A4	----	VIS	1
14A5	----	SUPPORT, CAOUTCHOUC PLAT	1
14A6	----	VIS	1
14A7	----	VIS	1
15A	770163	KIT, GAUCHE LOGEMENT	1
15A1	----	BOULON	1
15A2	----	SUPPORT, CAOUTCHOUC PLAT	1
15A4	----	LOGEMENT, MOTEUR	1
15A5	----	VIS	1
15A6	----	VIS	7
16A	770164	KIT, ÉJECTION DE LA BATTERIE BOUTON	1
16A1	----	RESSORT	1
16A2	----	PIN	1
16A3	----	BOUTON, ÉJECTION DE LA BATTERIE	1
16A4	----	SUPPORT, PRESSION PLAT	1
16A5	----	VIS	2
17A	770165	KIT, DROITE LOGEMENT	1
17A1	----	LOGEMENT, MOTEUR	1
17A2	----	VIS	1
17A3	----	SUPPORT, CAOUTCHOUC PLAT	1
18A	770166	KIT, PCB	1
18A1	----	RESSORT	2
18A2	----	VIS	2
18A3	----	COMMUTATEUR	1

LISTE DES PIÈCES

N° de réf.	No de pièce	Description	Qté
18A4	-----	PCB	1
18A5	-----	BRACKET, INSERTION PLAT	1
19A	770167	SANGLE, HARNAIS	1
20A	1760266	BATTERIE, 2AH, NA (OPTIONNELLE)	1
21A	1760263	CHARGEUR, RAPIDE, NA (OPTIONNEL)	1
22A	1760265	BATTERIE, 4AH, NA (OPTIONNELLE)	1

Not for Reproduction

Not for reproduction

SNAPPER®

XD

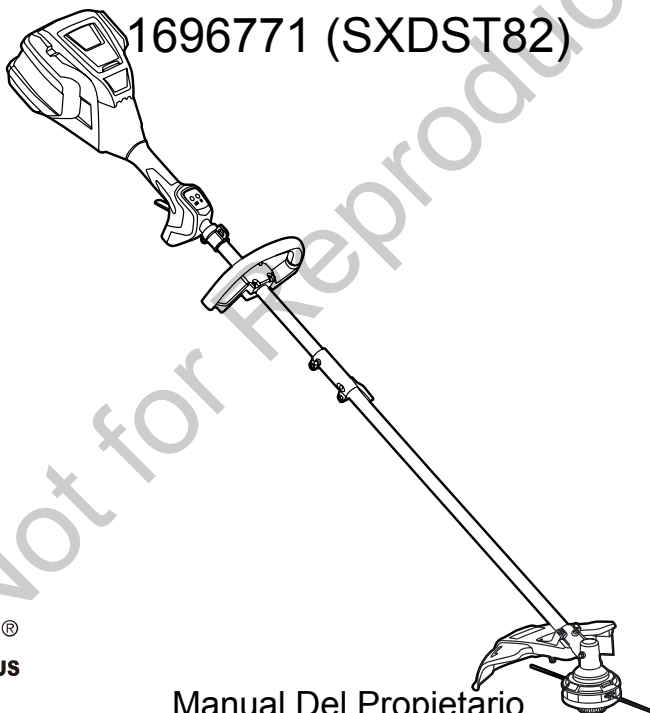
**Briggs & Stratton Power Products Group, LLC
P.O. Box 702
Milwaukee, WI 53201**

LIGNE SANS FRAIS : 1-800-317-7833

SNAPPER

XD

Desbrozadora inalámbrica 82V
1696771 (SXDST82)





c US
218549

Manual Del Propietario

LÍNEA GRATUITA LÍNEA DE AYUDA: 1-800-317-7833

www.snapper.com

 Leer todas las normas de seguridad y las instrucciones cuidadosamente antes de utilizar esta herramienta.

CONTENIDOS

Contenidos.....	2
Especificaciones	2
Reglas generales de seguridad	3
Símbolos.....	5
Sepa su producto.....	7
Armado	9
Funcionamiento	15
Mantenimiento de la batería y el cargador.....	24
Mantenemento.....	26
Eliminación de baterías sin daño para el ambiente	27
Solución de problemas.....	28
Garantía Limitada.....	30
Plano de despiece	32
Lista de piezas.....	33

ESPECIFICACIONES

RECORTADORA DE HILO LITIO-IÓN 82V

Tipo.....	Inalámbrica, activada por baterías
Motor	82V sin escobillas
Diámetro de línea	14/16" (356/406 mm)
Velocidad	5000/5500 ±10% RPM
Área de corte	Nylon / 0.08" (2.03 mm)
Tipo de alimentación	Alimentación mediante golpes leves
Peso (sin batería)	11.5 lbs (5.2 kg)

Exención de responsabilidad: *El voltaje inicial máximo de la batería (medido sin carga de trabajo) es de 82 voltios. Es voltaje nominal es de 72.

REGLAS GENERALES DE SEGURIDAD

⚠ ADVERTENCIA

Lea y comprenda todas las instrucciones antes de usar este producto. Si no sigue todas las instrucciones enumeradas a continuación, podrían producirse descargas eléctricas, incendios y/o daños personales graves.

- Revise el área de trabajo cada vez antes del uso. Quite todo objeto inadecuado tal como rocas, fragmentos de vidrio, clavos, alambre o cuerdas que pudieran saltar o enrollarse en la máquina.
 - Use siempre gafas de seguridad con protecciones laterales. Las gafas para uso diario tienen lentes solamente resistentes a impactos. NO son gafas de seguridad. Observar esta regla reduce el riesgo de lesiones en los ojos. Utilice una careta si la operación produce polvo.
 - Evite los entornos de trabajo peligrosos - No exponga las aparatos or herramienta eléctricas a la lluvia ni a condiciones de humedad. La introducción de agua en una herramienta eléctrica aumenta el riesgo de descargas eléctricas.
 - No lo use en la lluvia.
 - Mantenga a los espectadores, niños y mascotas alejados por lo menos 15 metros (50 pies).
 - No use el producto para ningún otro trabajo que no sea para el cual fue creado.
 - Para prevenir encendidos accidentales, nunca cargue un producto a batería con su dedo en el interruptor. Asegúrese de que el interruptor esté apagado cuando inserte la batería.
 - No haga funcionar el equipo estando descalzo ni al usar sandalias o calzado ligero similar. Use calzado protector que resguarde sus pies y aumente su tracción en superficies lisas.
 - No realice sobreesfuerzos. Mantenga un equilibrio adecuado en todo momento.
 - Permanezca alerta - Preste atención a lo que está haciendo. Use el sentido común. No use esta unidad cuando se encuentre fatigado, enfermo o bajo los efectos del alcohol, drogas o medicamentos.
 - Almacene los aparatos inactivos - Al no usar el recortador se le debe almacenar bajo techo en un lugar seco, con llave, fuera del alcance de los niños.
 - Proporcione mantenimiento con cuidado al aparato - Cambie el cabezal del hilo, si está agrietado, desportillado o dañado de cualquier forma. Asegúrese de que el cabezal del hilo, o cuchilla, según sea el caso, esté debidamente instalado y firmemente asegurado. Mantenga los bordes cortantes afilados y limpios para un mejor rendimiento y reducir el riesgo de lesiones. Siga las instrucciones de lubricación y cambio de accesorios. Inspeccione periódicamente los cables y si están dañados llévelos a un centro de servicio autorizado. Revise las prolongaciones periódicamente y sustitúyalas si están dañadas. La inobservancia de esta advertencia puede causar lesiones corporales serias.
 - Asegúrese de que no hayan partes dañadas. Antes de usar el producto, un protector u otra parte que esté dañada debe ser revisada cuidadosamente para determinar si funcionará apropiadamente y desempeñará la función para la cual fue diseñada. Verifique la alineación de las piezas en movimiento, la unión de las piezas en movimiento, el daño de piezas, el montaje y cualquier otra condición que pueda afectar su funcionamiento. Un protector u otra pieza que esté dañada debe ser reparado apropiadamente o reemplazado por un centro de servicio autorizado a menos que se indique otro lugar en este manual.
 - No cargue la herramienta de batería en la lluvia o en un lugar húmedo o mojado. Si sigue estas indicaciones reducirá el riesgo de descargas eléctricas.
 - Quite o desconecte la batería antes del mantenimiento, limpieza o retirada de material del equipo para jardín.
-

REGLAS GENERALES DE SEGURIDAD

- No deseche las baterías tirándolas al fuego. Las celdas podrían explotar. Verifique los códigos locales para averiguar si hay instrucciones especiales para su desecho.
- No abra las baterías ni las corte. El electrolito suelto es corrosivo y podría causar lesiones en los ojos o la piel. Podría ser tóxico si se le ingiere.
- Tenga mucho cuidado al manejar baterías para no poner en corto la batería mediante materiales conductores tales como anillos, brazaletes y llaves. La batería o el material conductor se podría sobrecalentar y provocar quemaduras.
- Vístase adecuadamente – No use ropa holgada o joyas. Podrían quedar atrapados en las piezas móviles. Se recomienda el uso de guantes de goma y calzado sólido cuando se trabaje al aire libre. Use un protector que cubra el cabello para agarrarlo.
- No fuerce la herramienta – El uso de la herramienta adecuada a la velocidad para la que está diseñada, efectuará el trabajo de mejor y más segura manera.
- Recargue la batería solamente con el cargador especificado por el fabricante. Podría haber un riesgo de incendio cuando se utilice un cargador con una batería para la que no está diseñado.
- Solo deben utilizarse baterías BSB2AH82 (2 amp/hora) o BSB4AH82 (4 amp/hora) de Briggs & Stratton. Solo debe utilizarse el cargador BSRC82 de Briggs & Stratton.
- Cuando la batería no está en uso, manténgala alejada de otros objetos metálicos como clips, monedas, llaves, clavos, tornillos u otros objetos metálicos pequeños que puedan crear una conexión desde una terminal a otra. Si se produjese un cortocircuito en los terminales de la batería, éste podría causar quemaduras o un incendio.
- En condiciones abusivas, podría salir expulsado líquido de la batería, por lo que debería evitar el contacto con éste. Si se produce un contacto accidental, enjuáguese las manos con agua. Si el líquido entra en contacto con los ojos, acuda inmediatamente al médico. Si el líquido es expulsado de la batería podría causar irritación o quemaduras.
- No utilice una batería o apartado dañado o modificado. Las baterías dañadas o modificadas pueden comportarse de modo imprevisto que puede causar incendio, explosión o riesgo de lesión.
- No exponga ni las baterías ni el aparato al fuego ni a altas temperaturas. La exposición al fuego o a temperaturas superiores a 130 °C puede provocar explosiones. La temperatura de 130 °C equivale a 265 °F.

⚠ A D V E R T E N C I A (PROPOSITION 65)

Este producto contiene un producto químico conocido en el Estado de California por: producir cáncer, malformaciones de nacimiento/ anomalías congénitas u otros daños reproductivos.

El polvo creado al lijar, cortar, moler, perforar y otras actividades de construcción contienen sustancias químicas que causan cáncer, defectos de nacimiento u otros daños reproductivos. Algunos ejemplos de estos productos químicos son:

- El plomo de las pinturas a base de plomo
- La sílice cristalina de ladrillos y cemento y otros productos de albañilería, y
- El arsénico y el cromo de la madera tratada químicamente.

El riesgo de exposición a estos químicos varía en función de la frecuencia con que realiza este tipo de trabajo. Para reducir su exposición a estas sustancias químicas, trabaje en un área bien ventilada y con equipos de seguridad aprobados, como mascarillas contra el polvo especialmente diseñadas para filtrar partículas microscópicas.

GUARDE ESTAS INSTRUCCIONES

SÍMBOLOS

Este producto podría contener algunos de los siguientes símbolos. Sírvase estudiarlos y aprender su significado. La comprensión apropiada de esos símbolos le permitirá operar mejor el producto y de una forma más segura.

SÍMBOLO	NOMBRE	DENOMINACIÓN/EXPLICACIÓN
V	Volts	Voltaje
A	Amperios	Corriente
Hz	Hertz	Frecuencia (ciclos por segundo)
W	Watts	Potencia
min	Minutos	Tiempo
~	Corriente alterna	Tipo de corriente
/min	Por minuto	Revoluciones, carreras, velocidad superficial, órbitas, etc. por minuto.
≡	Corriente continua	Tipo o característica de corriente
	Fabricación Clase II	Fabricación con aislamiento doble
	Alerta de seguridad	Precauciones para su seguridad.
	Lea el manual del operador	Para reducir el riesgo de lesiones, el usuario debe leer y comprender el manual del operador antes de usar este producto.
	No instale hoja de corte	No instale ni utilice ningún tipo de hoja de corte en ningún producto con este símbolo.
	Alerta de condiciones húmedas	No exponga la unidad a la lluvia ni la use en lugares húmedos.
	Protección ocular	Al utilizar este producto, póngase siempre gafas de seguridad con protección lateral, y en la medida en que sea necesario, utilice un protector para toda la cara.
	Rebote	Cualquier objeto lanzado puede rebotar y producir lesiones personales o daños físicos.
	Mantenga alejadas a las personas presentes	Mantenga a los circunstantes a una distancia mínima de 15 m (50 pies).

SÍMBOLOS

Las siguientes palabras de señalización y sus significados tienen el objeto de explicar los niveles de riesgo relacionados con este producto.

SÍMBOLO	SEÑAL	SIGNIFICADO
	PELIGRO	Indica una situación peligrosa inminente, la cual, si no se evita, causará la muerte o lesiones serias.
	ADVERTENCIA	Indica una situación peligrosa posible, la cual, si no se evita, podría causar la muerte o lesiones serias.
	PRECAUCIÓN	Indica una situación peligrosa posible, la cual, si no se evita, podría causar lesiones menores o leves.
	PRECAUCIÓN	(Sin el símbolo de alerta de seguridad) Indica una situación que puede producir daños materiales.

SERVICIO

Para dar servicio es necesario tener extremo cuidado y conocimiento, el servicio debe ser proporcionado solamente por técnicos de servicio calificados. Sugerimos que para dar servicio al producto lo regrese a su **CENTRO DE SERVICIO AUTORIZADO** más cercano para que los reparen. Al dar servicio, use solamente repuestos idénticos.

ADVERTENCIA

Para evitar lesiones personales graves, no trate de usar este producto antes de haber leído completamente el presente Manual del Propietario y haberlo comprendido en su totalidad. Si no comprende las advertencias y las instrucciones que aparecen en el presente Manual del Propietario, no use el producto. Llame gratis al 1-800-317-7833 para recibir ayuda. Toda herramienta eléctrica al funcionar puede lanzar objetos extraños hacia sus ojos, lo que podría provocarles lesiones graves. Antes de operar una herramienta eléctrica, use siempre gafas de seguridad, gafas de seguridad con protecciones laterales o una careta completa si es necesario. Recomendamos usar una careta de seguridad con rango visual ancho encima de gafas de seguridad estándar, o usar gafas de seguridad estándar con protecciones laterales. Use siempre protección para los ojos con viñetas que indiquen que cumplen ANSI Z87.1.

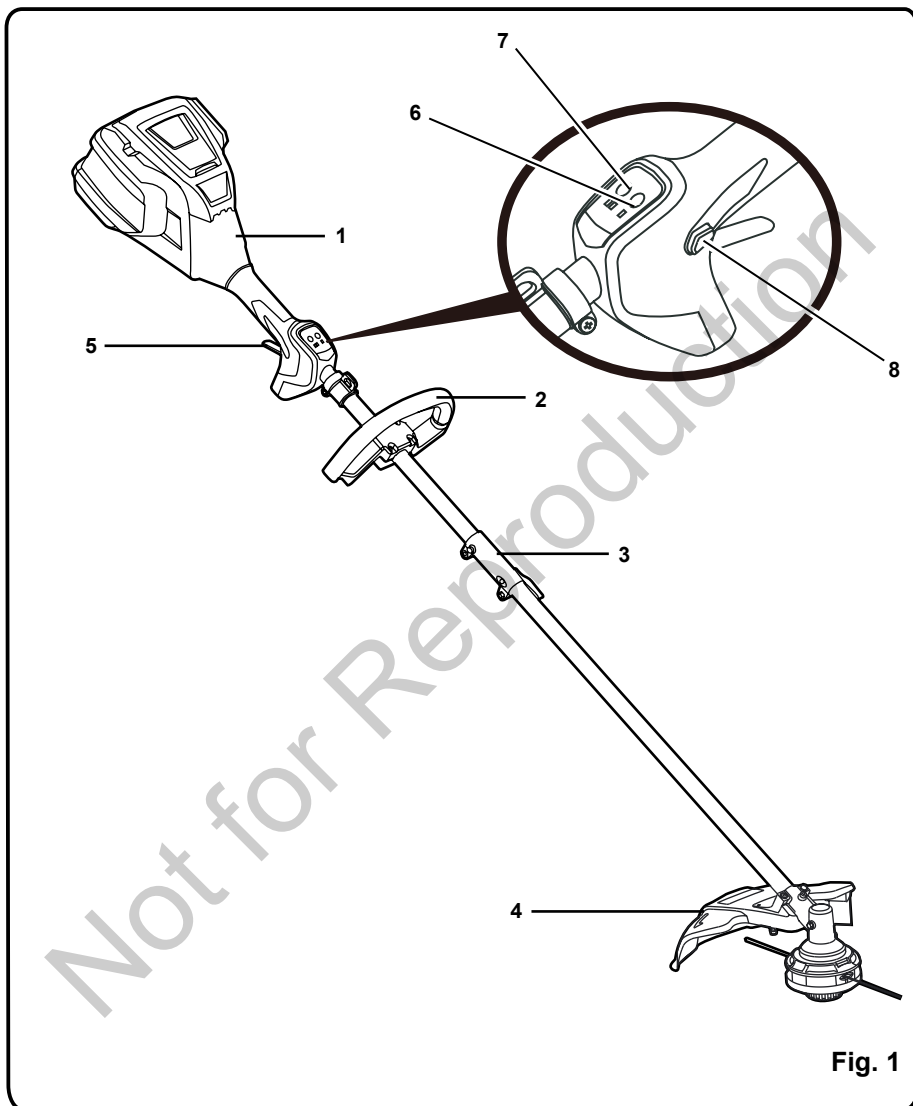
ADVERTENCIA



Toda herramienta eléctrica al funcionar puede lanzar objetos extraños hacia sus ojos, lo que podría provocarles lesiones graves. Antes de comenzar el funcionamiento de una herramienta eléctrica, use siempre gafas de seguridad o gafas de seguridad con protecciones laterales y, si es necesario, una careta completa. Recomendamos usar caretas de seguridad con rango visual ancho encima de gafas de seguridad estándar, o usar gafas de seguridad estándar con protecciones laterales. Use siempre protección para los ojos con viñetas que indiquen que cumplen ANSI Z87.1.

GUARDE ESTAS INSTRUCCIONES

SEPA SU PRODUCTO



SEPA SU PRODUCTO

CONOZCA SU PRODUCTO (Vea la figura 1.)

El uso seguro de este producto requiere la comprensión de la información del producto y del manual de usuario, así como el conocimiento de la tarea que intenta realizar. Antes de utilizar este producto, familiarícese con las características de funcionamiento y normas de seguridad.

1. EMPUÑADURA TRASERA

Mango ergonómico sobremoldeado para mayor comodidad y sujeción.

2. MANGO AUXILIAR

La cabeza motriz está equipada con un conjunto de mango frontal para facilitar el uso y para evitar la pérdida de control.

3. ANILLO DE ACOPLE

El acoplador conecta y bloquea los dos ejes.

4. PROTECTOR

La recortadora incluye una protección que ayuda a protegerse de los fragmentos volátiles.

5. VELOCIDAD VARIABLE DE DISPARO

Proporciona mayor control y precisión.

6. BOTÓN ON/OFF

Pulse el botón on/off para arrancar o parar la desbrozadora.

7. BOTÓN DE VELOCIDAD ALTA/BAJA

El botón de velocidad alta/baja ajusta la velocidad.

8. BOTÓN DE BLOQUEO

El botón de bloqueo impide el arranque accidental.

ARMADO

DESEMBALAJE

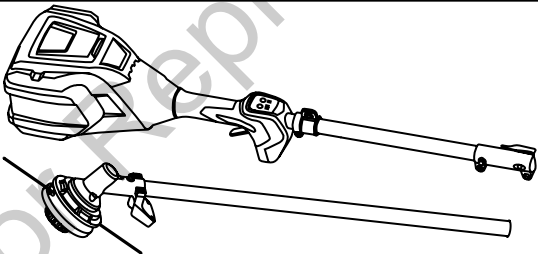
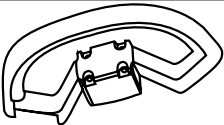
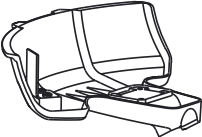
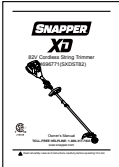
Es necesario montar este producto.

- Retire con cuidado el producto y los accesorios de la caja. Asegúrese de que están incluidos todos los elementos que figuran en la lista del paquete de embalaje.
- Revise el producto con atención para asegurarse de que no se produjeron daños o roturas durante el transporte.
- No tire el material de embalaje hasta que haya revisado con atención y haya utilizado el producto de manera satisfactoria.
- Si falta alguna parte dañada o se encuentra dañada, llame al 1-800-317-7833 para que le proporcionen asistencia.

⚠ ADVERTENCIA

No utilice este producto si ya está montado en el producto algún elemento de la lista del paquete de embalaje cuando lo desembale. El fabricante no ha montado los elementos de esta lista en el producto y requieren de la instalación del cliente. Usar un producto que puede haber sido mal montado podría provocar graves daños personales.

LISTA DE PIEZAS

Nombre de las piezas	Figura	Cant.
Recortadora de hilo		1
Mango auxiliar		1
Hierba deflector		1
Manual de instrucciones		1

ARMADO

⚠ A D V E R T E N C I A

Si falta alguna parte dañada o se encuentra dañada, no utilice el producto hasta que haya sustituido las piezas. Usar este producto si falta alguna pieza o si alguna está dañada podría provocar graves daños personales.

⚠ A D V E R T E N C I A

No intente modificar este producto o crear accesorios no recomendados para ser usados con él. Cualquier alteración o modificación es un uso incorrecto del producto y podría provocar situaciones peligrosas que conlleven graves daños personales.

⚠ A D V E R T E N C I A

No conecte la unidad al suministro de energía hasta que esté completamente montada. Si la máquina está mal montada, podría arrancar accidentalmente y provocar graves daños personales.

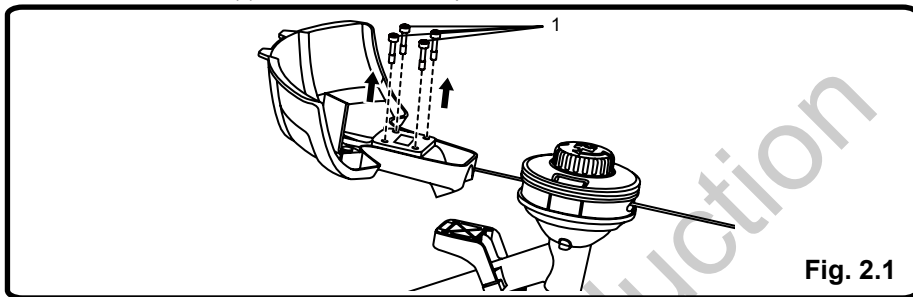
Not for Reproduction

ARMADO

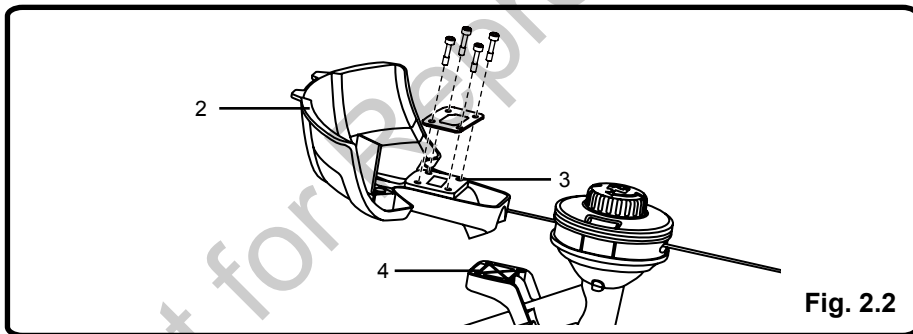
COLOCAR EL DEFLECTOR DE HIERBA (Vea la figura 2.)

NOTA: Instale el deflector de hierba antes de conectar el accesorio a la cabeza motriz.

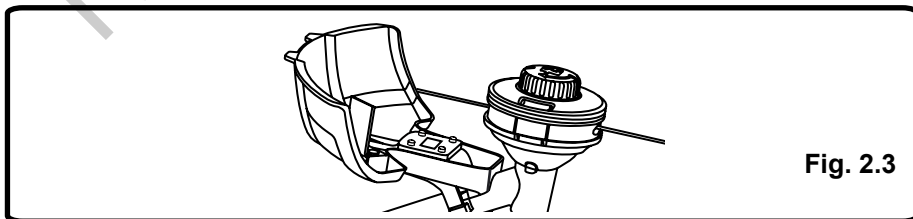
1. Invierta la orilladora para obtener acceso al cabezal de la orilladora.
2. Retire los tornillos (1) suministrados de la protección con un destornillador de estrella.



3. Coloque la protección (2) en el cabezal de corte.
4. Alinee los orificios de tornillos de la protección (3) con los orificios de tornillos del cabezal de corte (4).



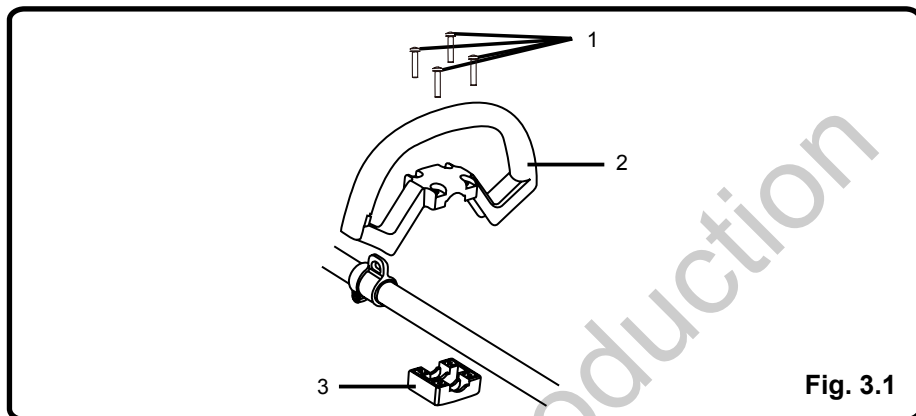
5. Inserte los tornillos en el cabezal de corte, ajustando la protección en su sitio con un destornillador de estrella (no incluido).



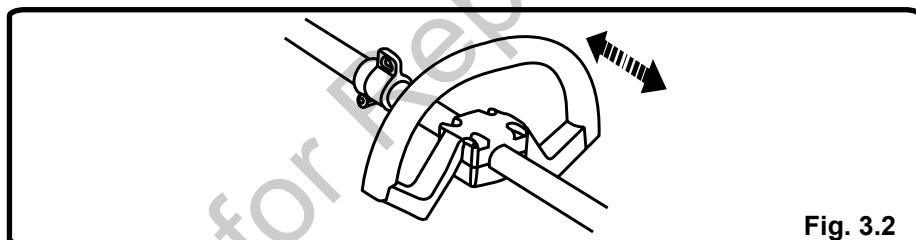
ARMADO

FIJACIÓN DEL MANGO DELANTERO (Vea la figura 3.)

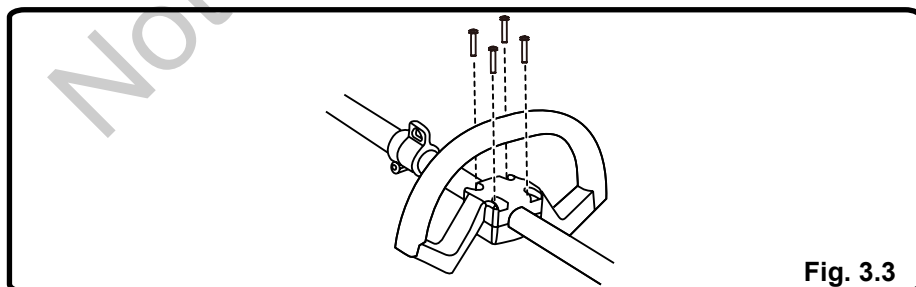
1. Afloje los cuatro tornillos (1) del mango con un destornillador de estrella (no incluido) y retire los tornillos del mango.



2. Acople el mango auxiliar (2) y baje la abrazadera (3) del eje.
3. Si es necesario, suba o baje el mango para ajustarlo a la posición de manejo deseada.



4. Apriete los cuatro tornillos de manera que la empuñadura no pueda girar sobre el eje.



ARMADO

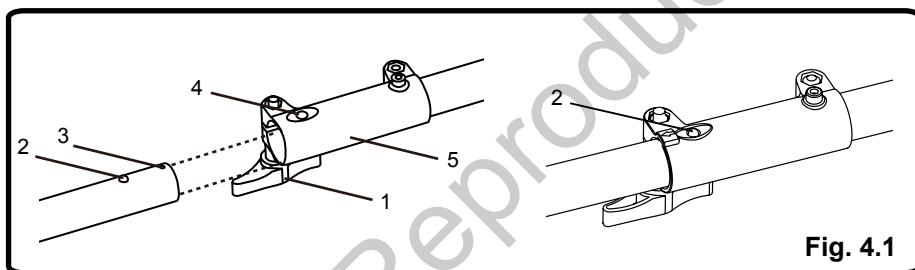
INSTALAR EL EJE SUPERIOR EN EL EJE INFERIOR (Vea la figura 4.)

⚠ ADVERTENCIA

Nunca instale, retire o ajuste ningún accesorio mientras sigue funcionando el bloque motor. Un fallo en la parada del motor puede causar lesiones personales graves. No haga funcionar la cabeza motriz sin accesorios.

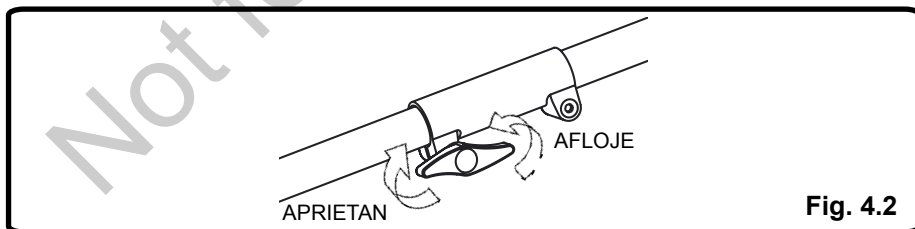
El accesorio se conecta al bloque motor mediante un anillo de acople.

1. Coloque la herramienta en una superficie plana y nivelada.
2. Afloje el vástago (1) del acoplador (5).
3. Pulse el botón de liberación (2) situado en el eje inferior (3). Alinee el botón de liberación con el orificio de posición (4) y deslice los dos ejes juntos. Gire el eje del accesorio hasta que el botón se bloquee en el agujero de posición.



NOTA: Si el botón no se libera por completo en el agujero de posición significa que los ejes no están bien colocados. Gire ligeramente de un lado a otro hasta que el botón se ajuste en su lugar.

4. Apriete la llave firmemente.



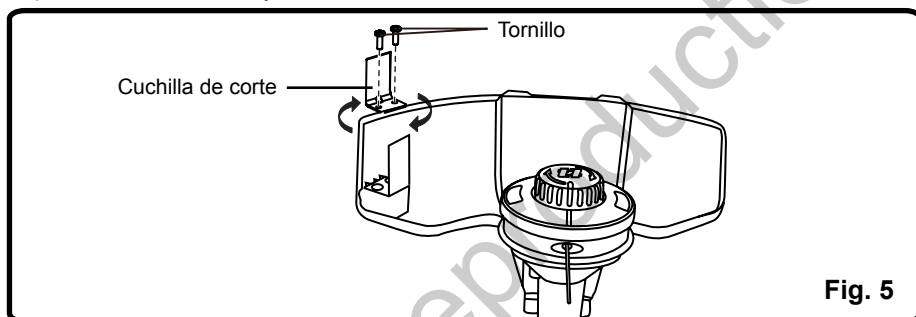
ARMADO

CUCHILLA DE CORTE DEL HILO (Vea la figura 5.)

Esta recortadora está equipada con una cuchilla de corte instalada en el protección. Para obtener mejores resultados en el recorte, avance el hilo hasta que la cuchilla lo corte a la longitud apropiada. Avance el hilo siempre que escuche que el motor está funcionando más rápido de lo normal, o cuando disminuya la eficiencia del recorte. Esto mantendrá un desempeño óptimo y mantendrá el hilo a la suficiente longitud para que avance correctamente.

Este recortadora de hilo es puesto actualmente en el 14 pulg. ancho de corte. Para ajustar a una ancho de corte de 16 pulg.:

- Retire el paquete de baterías.
- Afloje el tornillo de la hoja entonces gira la hoja 180°
- Apriete el tornillo de la hoja.



FUNCIONAMIENTO

⚠ ADVERTENCIA

Lea y comprenda el manual de usuario en su totalidad para cada accesorio opcional utilizado en esta cabeza motriz y siga todas las advertencias e instrucciones. Si no sigue todas las instrucciones, podrían producirse descargas eléctricas, incendios y/o daños personales graves.

⚠ ADVERTENCIA

Preste especial atención aunque esté familiarizado con el producto. Recuerde que un despiste de una sola fracción de segundo es suficiente para causar daños graves.

⚠ ADVERTENCIA

No utilice conexiones ni accesorios que no estén recomendados por el fabricante de este producto. El uso de conexiones o accesorios no recomendados podría causar graves daños personales.

⚠ ADVERTENCIA

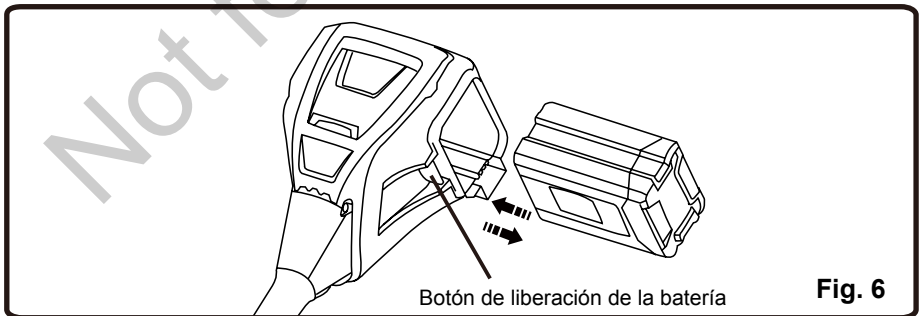
Esta recortadora de hilo no está diseñada para ser utilizada con accesorios de desbrozadora. El uso de un accesorio de desbrozadora podría causar lesiones personales graves o daños materiales.

INSTALACIÓN DE LA BATERÍA (Vea la figura 6.)

- Inserte la batería en la herramienta hasta que escuche un clic.

EXTRACCIÓN DE LA BATERÍA (Vea la figura 6.)

- Pulse el botón de liberación de la batería en la parte trasera de la batería y retire la batería de la herramienta.



FUNCIONAMIENTO

ARRANCAR Y DETENER LA RECORTADORA (Vea la figura 7.)

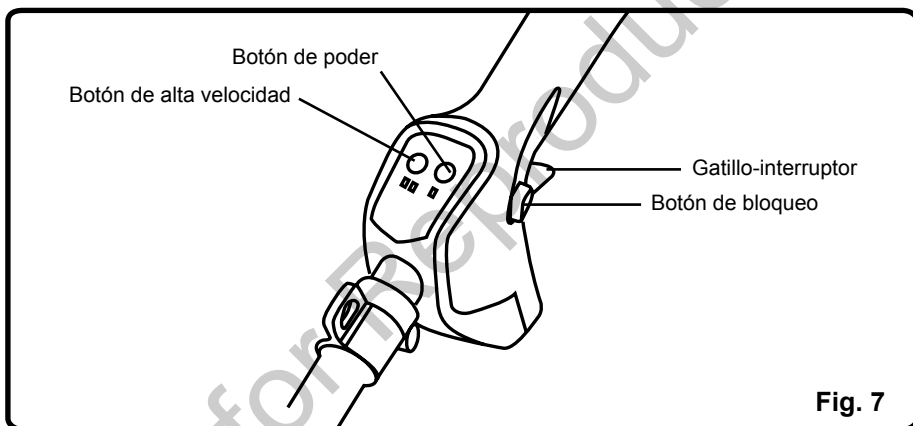
Comenzar la cabeza de poder:

- Presionan el botón de poder.
- Deprimen el botón de bloqueo y aprietan el gatillo de interruptor.
- Pulse el botón de alta velocidad para aumentar la velocidad según el estado de la hierba. Se iluminarán dos LED sobre el botón de alta velocidad que indican que la recortadora está ajustada a alta velocidad.

Parar la cabeza de poder:

- Liberan el gatillo de interruptor.
- Vuelva a pulsar el botón de encendido para apagar la unidad.

Nota: La unidad se impulsará abajo siendo ocioso durante 1 minuto.



FUNCIONAMIENTO

FUNCIONAMIENTO DE LA CABEZA MO TRIZ (Vea la figura 8.)

⚠ A D V E R T E N C I A

Siempre sujete la recortadora de hilo lejos de su cuerpo, manteniendo un espacio entre ambos. El contacto con el cabezal de corte de la recortadora de hilo durante su operación puede causar lesiones personales graves.

Siga las siguientes recomendaciones a manejar la recortadora de hilo:

- Sujete la recortadora con la mano derecha en el mango trasero y la izquierda en el delantero.
- Sujete firmemente la unidad con ambas manos durante la operación.
- Se recomienda sujetar la recortadora en una posición cómoda, con el mango trasero a la altura de la cadera aproximadamente.
- Corte la hierba alta desde arriba hacia abajo. Esto evitará que la hierba se enrolle alrededor del alojamiento del eje y del cabezal del brazo, lo que puede causar daños por calentamiento excesivo.

Si la hierba se enrolla en el cabezal del hilo:

- Desenchufe la recortadora de hilo.
- Quite la hierba.



Fig. 8

FUNCIONAMIENTO

⚠ ADVERTENCIA

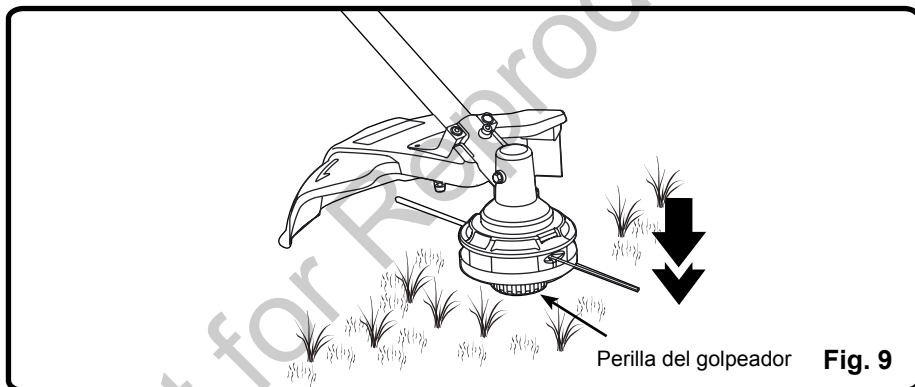
Cualquier contacto con el cabezal de corte del accesorio podría provocar quemaduras y/o lesiones personales graves.

⚠ ADVERTENCIA

Lea la información de seguridad para una utilización segura cuando use un accesorio de la hoja y consulte las normas de seguridad e instrucciones del manual de usuario. No utilice nunca un accesorio de desbrozadora con esta cabeza motriz. El funcionamiento inadecuado de una hoja o cualquier accesorio podría resultar en lesiones graves.

AVANCE DE LIGNE DE COUPE (Vea la figura 9.)

Mientras la orilladora está en funcionamiento, el hilo de corte se desgasta y se acorta. Esta podadora está equipada con avance de hilo por contacto, lo que permite que el hilo salga cuando se golpea suavemente el suelo con el cabezal mientras rota. La hoja de corte recortará el hilo para mantener la amplitud de corte precisa.

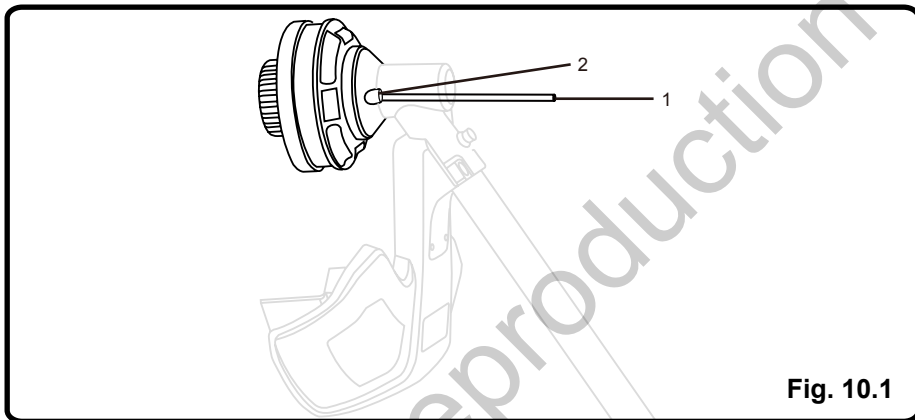


FUNCIONAMIENTO

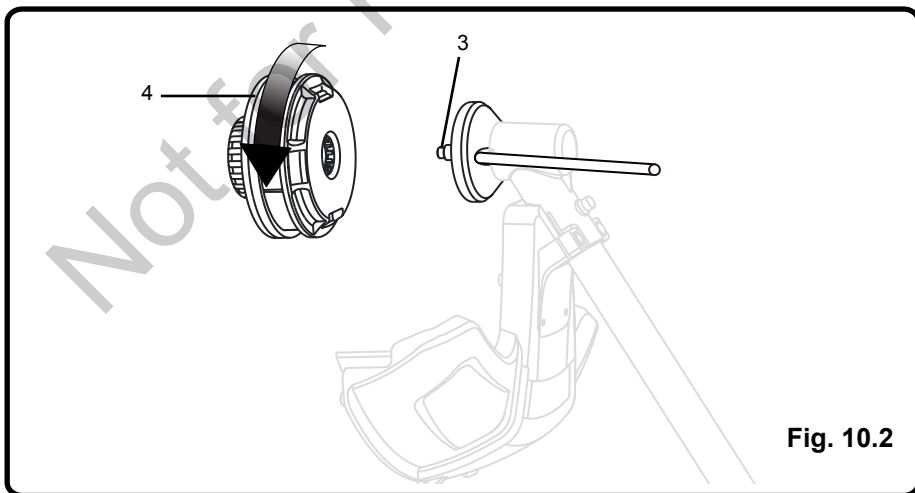
REPLACING STRING HEAD (Vea la figura 10.)

Debe reemplazar el cabezal del hilo cuando esté visiblemente dañado o cuando los indicadores de desgaste estén del frente presenten un suave desgaste. Consulte la sección **Cambiar el hilo** de este manual para reemplazar el hilo.

1. Pare la unidad y retire la batería.
2. Inserte la herramienta de bloqueo del cabezal de engranajes o el destornillador (1) en la ranura (2).



3. Gire el cabezal del hilo (4) hacia la derecha hasta que pueda retirarlo del eje del engranaje (3).



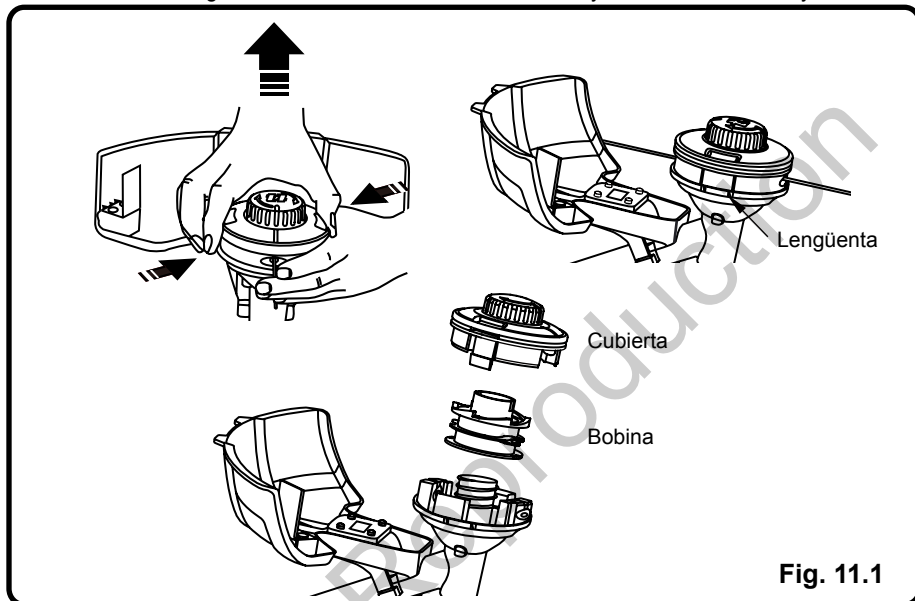
4. Instale en nuevo cabezal de hilo y gírelo hacia la izquierda para fijarlo.

FUNCIONAMIENTO

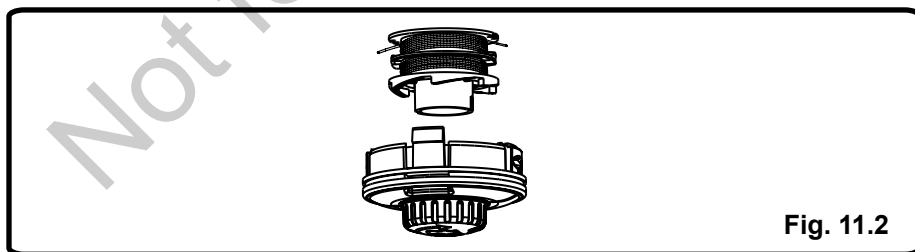
REEMPLAZO DEL CARRETE (Vea la figura 11.)

Consulte la sección **Cambiar el hilo** de este manual para reemplazar el hilo.

1. Presione las lengüetas en un lado del cabezal de corte y remueva la cubierta y bobina.

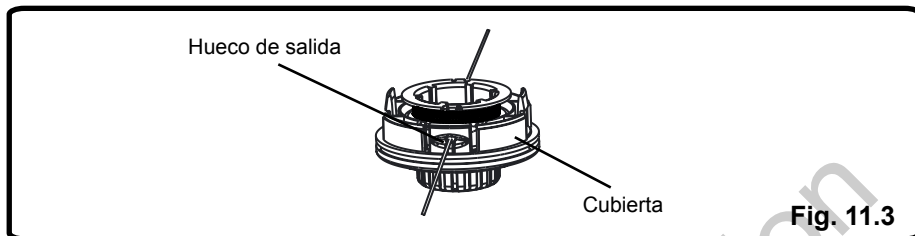


2. Remueva la línea restante.
3. Limpie la suciedad y desechos de todas las piezas.
4. Coloque el carrete en la tapa como se muestra a continuación.

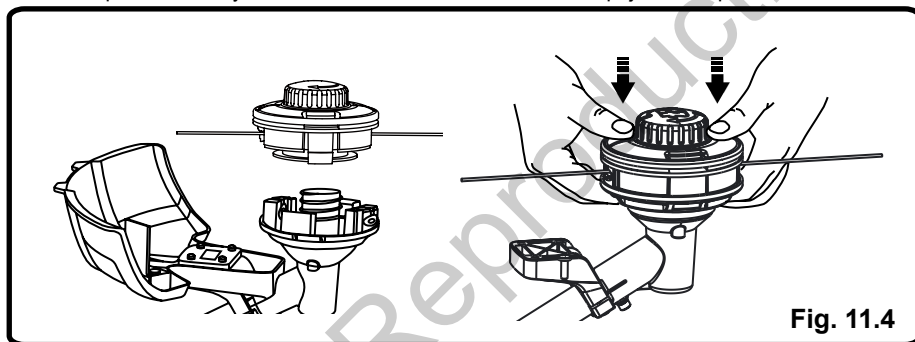


FUNCIONAMIENTO

5. Introduzca la puntas de las líneas dentro de los huecos de salida en la cubierta.

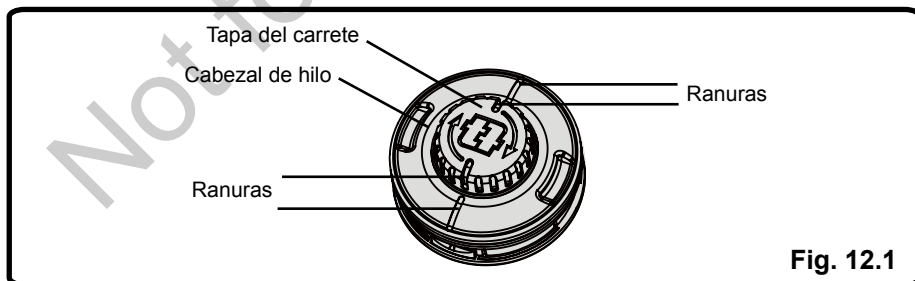


6. Coloque la bobina y la cubierta en el cabezal de corte. Empuje hasta que la cubierta.



CAMBIAR EL HILO (Vea la figura 12.)

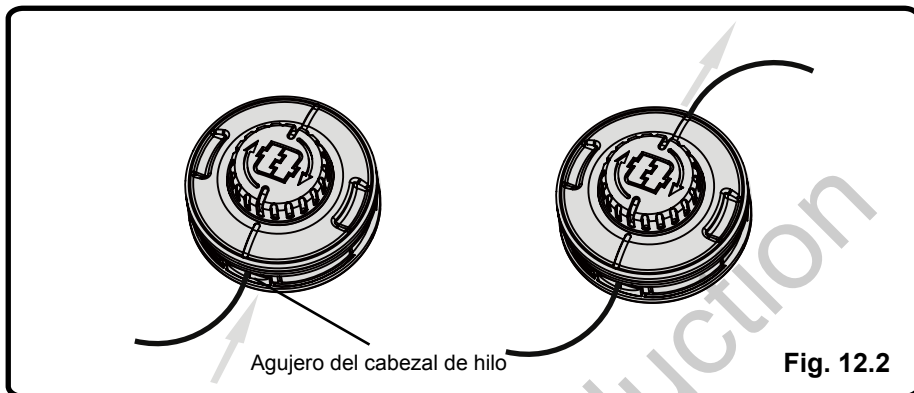
1. Alinee las ranuras en la tapa del carrete con las ranuras del cabezal de hilo.



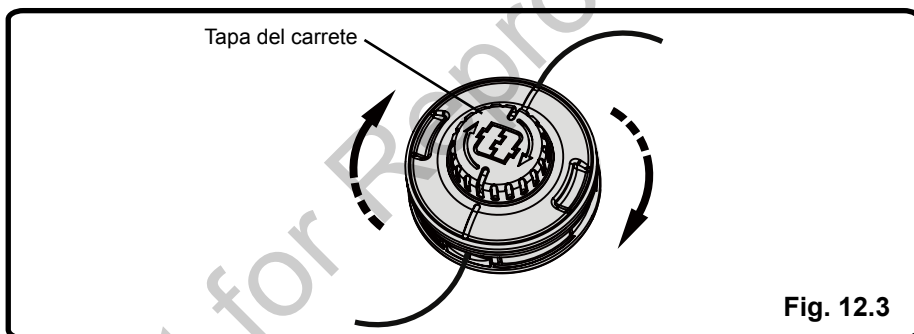
2. Coloque el hilo a través del agujero del cabezal de hilo. Empuje el hilo hasta que salga por el agujero del lado opuesto en el agujero del cabezal de hilo.

FUNCIONAMIENTO

3. Coloque el hilo adentro hasta que haya una cantidad de hilo igual en cada lado.



4. Gire la tapa del carrete en el sentido de las agujas del reloj. Deje que sobresalgan aproximadamente 5 pulgadas de hilo en cada lado del cabezal.



FUNCIONAMIENTO

CORTAR PUNTAS (Vea la figura 13.)

- Mantenga la recortadora inclinada hacia la zona a cortar; esta es la mejor área de corte.
- La recortadora corta al pasar el aparato de derecha a izquierda. Esto evitará que se arrojen desechos al operador. Evite cortar en la zona peligrosa mostrada en la figura 13.
- Utilice la punta del hilo para cortar; no fuerce la cabeza para hilo de corte en la hierba no cortada.
- Las vallas de madera o alambre provocan un desgaste excesivo del hilo y rotura. Las paredes de piedra y ladrillo, los bordillos y la madera pueden desgastar rápidamente el hilo.
- Evite los árboles y arbustos. La corteza de árbol, las molduras de madera, los frisos y las estacas de las vallas pueden ser dañados fácilmente por el hilo.

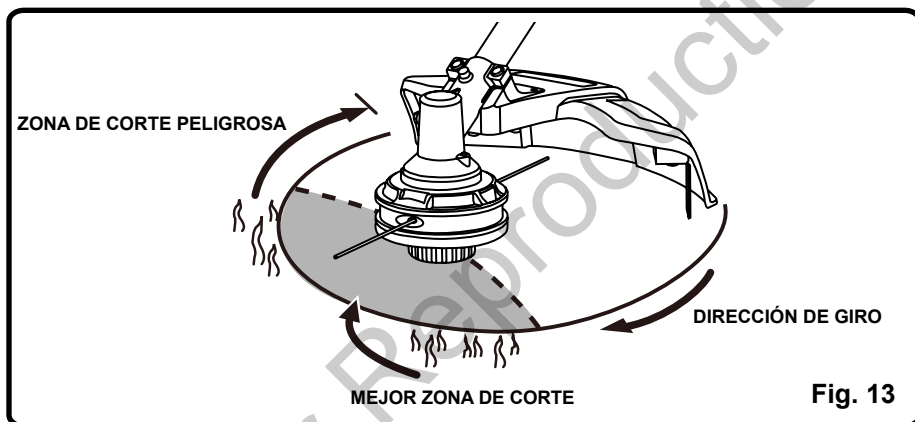


Fig. 13

MANTENIMIENTO DE LA BATERÍA Y EL CARGADOR

PROCEDIMIENTO DE CARGA

NOTA: La batería no se suministra completamente cargada. Se recomienda cargar totalmente antes de la primera utilización para garantizar que se pueda alcanzar el tiempo máximo de funcionamiento. Esta batería de litio-ión no tiene memoria y se puede recargar en cualquier momento.

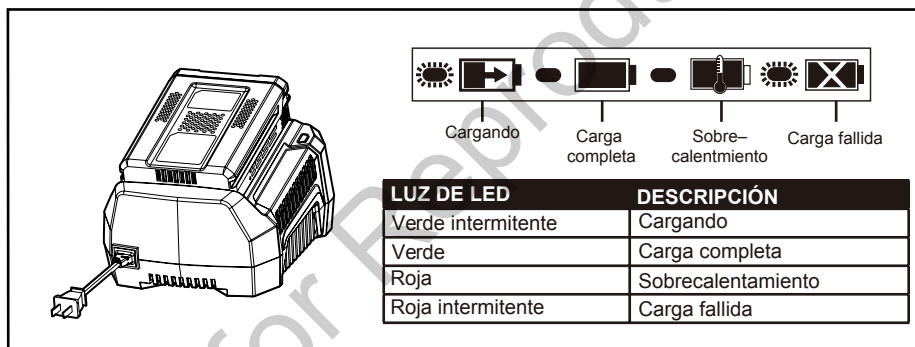
Carga a baja tensión:

Si la batería ha estado guardada con muy poca o ninguna carga durante un período largo de tiempo, el cargador se pondrá en modo de recuperación, lo que significa que le llevará 20 horas cargar completamente la batería. Esto mejorará la vida útil de la batería. Una vez que se ha cargado completamente, en la siguiente carga, volverá al modo de carga estándar.

Una batería totalmente descargada necesitará el tiempo definido en el manual de la batería.

- Enchufe el cargador en un tomacorriente de CA.
- Coloque el paquete de baterías en el cargador.

Este es un cargador con diagnóstico. Las lámparas LED del cargador se iluminan de acuerdo a un orden específico para indicar el estado actual de la batería. Ellos son los siguientes:



Nota de defecto falso:

Cuando la batería es insertada en el cargador y la luz LED enciende intermitentemente en ROJO, quite la batería por 1 minuto y luego vuelva a insertarla. Si la luz LED enciende intermitentemente en VERDE, la batería está cargando de manera adecuada. Si la luz LED todavía enciende intermitentemente en ROJO, quite la batería y desconecte el cargador por 1 minuto.

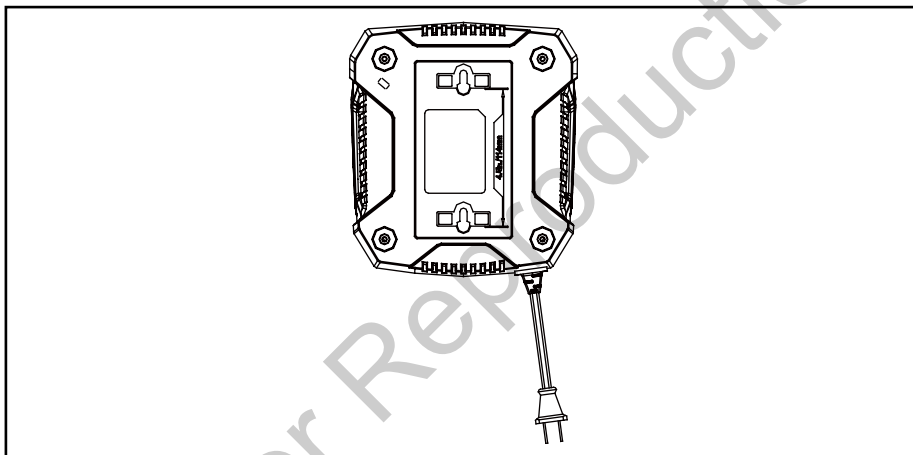
Después de 1 minuto, conecte el cargador y vuelva a insertar la batería. Si la luz LED enciende intermitentemente en VERDE, la batería está cargando de manera adecuada. Si la luz LED todavía enciende intermitentemente en ROJO, la batería tiene un defecto y debe ser reemplazada.

MANTENIMIENTO DE LA BATERÍA Y EL CARGADOR

MONTAJE DEL CARGADOR

1. Este cargador se puede instalar en una pared atornillándolo con dos #8 tornillos (no incluidos).
2. Localice el lugar en el que quiere colgar el cargador.
3. Si la pared es de madera, utilice dos tornillos especiales para madera (no incluidos).
4. Perfore dos agujeros con una distancia de 4,5" (11,43 cm) alineados verticalmente.
5. Si la pared es de yeso, utilice anclajes (no incluidos) y tornillos especiales para colgarlo.

NOTA: *Si no va a utilizar la batería y el cargador durante un periodo largo de tiempo, retire la batería del cargador y desenchufe el cable de alimentación de CA.*



MAINTENANCE

MANTENIMIENTO GENERAL

Evite el uso de disolventes para limpiar las piezas de plástico. La mayoría de los plásticos son susceptibles a diversos tipos de disolventes comerciales y pueden dañarse por su uso. Utilice paños limpios para eliminar la suciedad, el polvo, los restos de lubricante y grasa, etc.

Guarde siempre la máquina limpia y en un recinto seco, con la batería cargada.

A **A** **D** **V** **E** **R** **T** **E** **N** **C** **I** **A**

Quando se utilice bajo la luz directa del sol hay que mantenerlo apartado del agua y no exponerlo a la lluvia.

Guardar en un lugar interior y no exponerlo a la lluvia ni al agua. Tampoco debe exponerse a la luz directa del sol.

Tareas de mantenimiento	Cada vez que usa la máquina	Cada dos horas	Cada semana	Después del uso	Cada año o cuando sea necesario
Inspección visual de los sistemas de seguridad de la herramienta (distanciador, protección visual, carcasa de seguridad)	X			X	
Compruebe el funcionamiento del sistema de seguridad del gatillo	X				
Compruebe que las cuchillas están afiladas y afílelas en caso necesario	X	X			X
Inspección visual de la herramienta (no presenta fracturas ni deformaciones)	X	X			X
Inspección visual de la herramienta en el acople del eje (no presenta deformaciones ni desgaste)	X	X			X
Compruebe el nivel de batería	X				
Inspección de la herramienta por un distribuidor autorizado					X

ELIMINACIÓN DE BATERÍAS SIN DAÑO PARA EL AMBIENTE

Las baterías utilizadas en este cortasetos contienen los siguientes materiales tóxicos y corrosivos: **Litio-ión, un material tóxico.**



⚠️ A D V E R T E N C I A

Todos los materiales tóxicos deben ser desechados de forma específica para evitar contaminar el medio ambiente. Antes de desechar una batería de litio-ión estropeada o gastada, póngase en contacto con el organismo encargado del tratamiento de residuos más próximo o con su agencia de protección medioambiental para informarse y solicitar instrucciones específicas. Recicle las baterías en un centro o dispositivo adecuado, autorizado para el tratamiento del Litio-ión.

⚠️ A D V E R T E N C I A

Si la batería se agrieta o se rompe, con o sin escapes, no la recargue ni la utilice. Deséchela y sustítuyala por una batería nueva. ¡NO INTENTE REPARARLA! Para evitar lesiones y riesgos de incendio, explosión o shock eléctrico, así como dañar el medio ambiente:

- Cubra los terminales de la cubierta de la batería con cinta adhesiva resistente.
 - NO intente retirar ni destruir componentes de la batería.
 - NO intente abrir la batería.
 - Si aparece una grieta, los electrolitos que se liberan son corrosivos y tóxicos. NO permita que la solución entre en contacto con los ojos o la piel y no la ingiera.
 - NO tire estas baterías a la basura.
 - NO las incinere.
 - NO las ponga donde puedan acabar en el basurero o en una línea de tratamiento de residuos municipal.
 - Llévelas a un centro oficial de reciclaje o recogida de desechos.
-

SOLUCIÓN DE PROBLEMAS

Problema	Causa	Solución
La recortadora de hilo no puede arrancarse cuando el botón de bloqueo del gatillo está pulsado.	1. La batería no está instalada en la recortadora.	1. Instale la batería en la recortadora.
	2. No hay contacto eléctrico entre la recortadora y la batería.	2. Retire la batería, compruebe el contacto y vuelva a instalar la batería.
	3. La batería está agotada.	3. Cargue la batería.
	4. La palanca de desbloqueo y el gatillo no se han apretado a la vez.	4. Mantenga apretada la palanca de desbloqueo y, a continuación, apriete el gatillo para arrancar la recortadora de hilo.
	5. No pulse el botón de encendido, apriete el gatillo directamente.	5. Arranque el botón de encendido, el indicador de encendido se disparará después.
La recortadora de hilo se detiene durante el corte.	1. La protección no está montada en la recortadora, causando un corte demasiado largo y la sobrecarga del motor.	1. Retire la batería y monte la protección en la recortadora.
	2. Se utiliza una línea de corte gruesa.	2. Use solo líneas de corte de nylon con 0,080" de diámetro o inferior.
	3. El eje del motor o el cabezal de corte están atascados con hierba.	3. Detenga la recortadora, retire la batería y retire la hierba del eje del motor y del cabezal de corte.
	4. El motor se ha sobrecargado.	4. Retire el cabezal de corte de la hierba. El motor volverá a funcionar tan pronto como se haya eliminado la sobrecarga. Al cortar, acerque y aleje el cabezal de corte de la hierba y no elimine más de 20 cm de longitud en un solo corte.
	5. La batería o la recortadora de hilos están demasiado calientes.	5. Deje que la batería se enfríe hasta que la temperatura sea inferior a 70 °C. Deje que la temperatura se enfríe hasta que la temperatura sea inferior a 140 °C.
	6. La batería está desconectada de la herramienta.	6. Vuelva a instalar la batería.
	7. La batería está agotada.	7. Cargue la batería.

SOLUCIÓN DE PROBLEMAS

Problema	Causa	Solución
Las líneas no avanzan.	1. Los hilos están soldados entre sí.	1. Lubrique con espray de silicona.
	2. No hay suficiente hilo en el carrete.	2. Instale cable extra. Consulte el apartado "Sustitución de la línea", que aparece anteriormente en este manual.
	3. Los hilos son demasiado cortos.	3. Tire ambos hilos, al tiempo que pulsa el botón.
	4. El hilo está enredado en el carrete.	4. Extraiga el hilo de la bobina y vuelva a enrollarla. Consulte el apartado "Sustitución de la línea", que aparece anteriormente en este manual.
El hilo sigue rompiéndose.	1. Uso incorrecto de la recortadora.	1. Sólo corta con la punta del hilo, evite las piedras, muros y otros objetos duros. Alargue el hilo de forma regular para mantener el ancho del corte.
La hierba se enrolla alrededor del cabezal de corte y de la cubierta del motor.	1. Cortar hierba alta a nivel del suelo.	1. Corte la hierba alta de arriba abajo, eliminando no más de 20 cm en cada pasada para evitar que se enrolle.
El hilo no corta bien.	1. La cuchilla/hilo de corte al borde de la protección no está afilada.	1. Afile la cuchilla/hilo de corte con una lima o reemplácela con una nueva cuchilla.

GARANTÍA LIMITADA

Briggs & Stratton se compromete a que, durante el período de garantía especificado a continuación, reparará o sustituirá, de manera gratuita, cualquier pieza con defectos de material o fabricación, o de ambos. El comprador deberá correr con los gastos de transporte del producto que envíe para reparación o reemplazo al amparo de esta garantía. Esta garantía tiene vigencia y está sujeta a las condiciones que se establecen más adelante. Para el servicio de garantía, busque el distribuidor de servicio autorizado más cercano en el mapa localizador de distribuidores en www.SNAPPER.com. El comprador debe ponerse en contacto con el distribuidor autorizado y poner el producto a disposición del mismo para que lo inspeccione y lo pruebe.

No existe otra garantía expresa. Las garantías implícitas, inclusive aquellas de comerciabilidad y de idoneidad para un propósito en particular, se limitan al período de garantía expresado abajo, o hasta los límites permitidos por la ley. La responsabilidad por daños fortuitos o indirectos está excluida en tanto lo permita la ley. Algunos países o estados no permiten limitar la duración de una garantía implícita ni excluir o limitar los daños secundarios y derivados. Por tanto, es posible que las limitaciones y exclusiones mencionadas no sean aplicables en su caso. Esta garantía le otorga derechos legales específicos, y también podría tener otros que varían según el estado o el país.**

PERÍODO DE GARANTÍA

	Uso particular	Uso comercial
Equipo	60 meses	90 días
Cargador de batería y la batería	24 meses	Ninguno

** En Australia, nuestros productos están cubiertos por garantías ineludibles de acuerdo con la legislación sobre consumo de este país. Tiene derecho a un recambio o devolución en caso de avería grave y a una compensación por las posibles pérdidas o daños razonables previsibles. Asimismo, si la avería no es grave, tiene derecho a que se reparen o reemplacen los productos si no tienen una calidad aceptable. Para servicio de garantía, localice al distribuidor de servicio autorizado más cercano con nuestro mapa en BRIGGSandSTRATTON.COM, llame al 1300 274 447, o bien, envíe un correo electrónico a salesenquires@briggsandstratton.com.au, o escriba a Briggs & Stratton Australia Pty Ltd, 1 Moorebank Avenue, NSW, Australia, 2170.

El período de garantía comienza en la fecha de compra por el primer consumidor o usuario comercial final. «Uso particular» significa uso doméstico residencial personal por un consumidor minorista. «Uso comercial» significa los demás usos, lo que incluye el uso para propósitos comerciales, generar ingresos o alquiler. Una vez que el producto se haya usado para fines comerciales, de ahí en adelante se considerará uso comercial a efectos de esta garantía.

A fin de garantizar una pronta y completa cobertura de la garantía, registre su producto en el sitio web que se muestra arriba o en www.onlineproductregistration.com, o envíe por correo la tarjeta de registro diligenciada (si se suministra), o llame al 1-800-743-4115 (en los EE. UU.).

Guarde el recibo comprobante de compra. Si no se proporciona una prueba de la fecha de compra inicial en el momento de solicitar servicio de garantía, se utilizará la fecha de fabricación del producto para determinar el período de garantía. No es necesario el registro del producto para obtener el servicio de garantía de los productos Briggs & Stratton.

GARANTÍA LIMITADA

ACERCA DE LA GARANTÍA

El servicio de garantía solo está disponible a través de los distribuidores de servicio autorizados de Snapper. La mayor parte de las reparaciones bajo garantía se atienden de manera rutinaria, pero algunas veces las solicitudes de reparaciones bajo garantía podrían no ser apropiadas. Esta garantía SÓLO cubre defectos en materiales y mano de obra. No cubre los daños ocasionados por un uso no adecuado o un mal uso, un mantenimiento o unas reparaciones inadecuadas ni el desgaste y la rotura propios del uso.

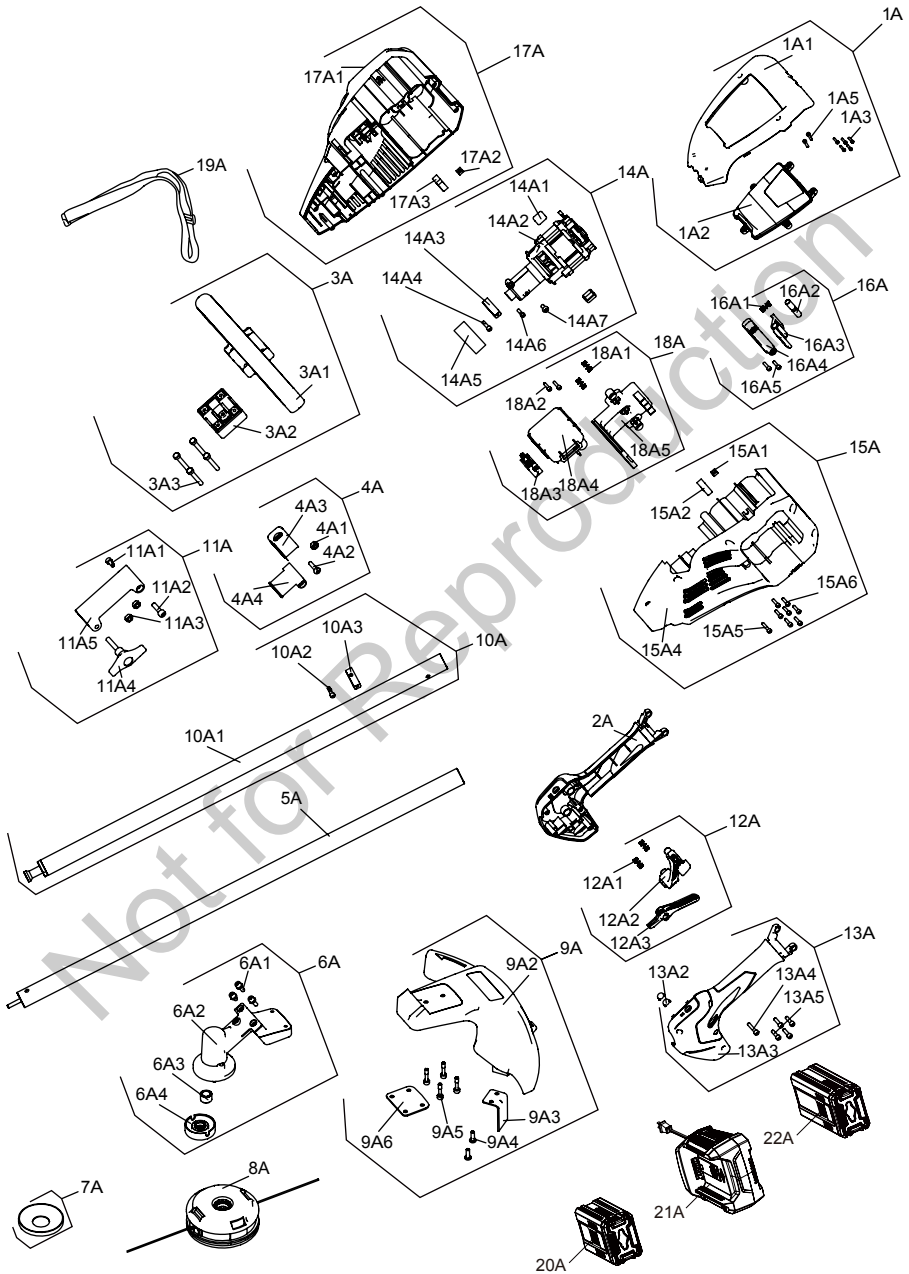
Uso no adecuado y mal uso: el uso correcto y para el que se ha diseñado este equipo se describe en el manual del usuario. Si el producto no se usa de la manera que se describe en el manual del usuario o si el producto se usa después de que haya resultado dañado, quedará anulada la garantía. La garantía queda anulada si se ha borrado el número de serie del producto o el producto ha sido modificado de alguna manera, o si el producto presenta indicios de haber sido usado incorrectamente, por ejemplo, daños producidos por un impacto o daños producidos por corrosión química/agua.

Mantenimiento o reparaciones inadecuadas: el producto debe someterse a labores de mantenimiento de acuerdo con los procedimientos y plazos establecidos en el manual del usuario, y para el mantenimiento y las reparaciones se deben utilizar piezas Briggs & Stratton originales o equivalentes. La garantía no cubre los daños ocasionados por la falta de mantenimiento o el uso de piezas no originales.

Desgaste normal: al igual que otros dispositivos mecánicos, el producto está sujeto a desgaste incluso si se realiza un mantenimiento correcto. Esta garantía no cubrirá la reparación cuando el uso normal haya agotado la vida útil de una pieza o del aparato. Los accesorios y elementos de mantenimiento como filtros, correas, hojas cortantes y pastillas de freno (excepto las pastillas de freno de los motores) no están cubiertos por la garantía por sus propias características, a no ser que la causa sea un defecto del material o de fabricación.

Otras exclusiones: esta garantía excluye cualquier daño provocado por accidente, uso incorrecto, modificaciones, alteraciones, mantenimiento incorrecto, congelación o deterioro producido por productos químicos. También excluye cualquier complemento o accesorio que no se incluyera en el paquete original del producto. Esta garantía no incluye equipos o motores usados, reacondicionados, de segunda mano o de demostración. Esta garantía excluye los fallos debidos a hechos fortuitos y a otros acontecimientos de fuerza mayor que escapan al control del fabricante.

PLANO DE DESPIECE



LISTA DE PIEZAS

N.º Pieza	N.º Modelo	Descripción	Cant.
1A	770148	KIT, ALOJAMIENTO CUBIERTA, NA	1
1A1	-----	CUBIERTA, SUPERIOR	1
1A2	-----	INSERTAR, CUBIERTA SUPERIOR	1
1A3	-----	TORNILLO	5
1A5	-----	TORNILLO	2
2A	770149	MANGO, DERECHO	1
3A	770150	KIT, AUXILIAR MANGO	1
3A1	-----	MANGO, AUXILIAR	1
3A2	-----	BASE, MANGO AUXILIAR	1
3A3	-----	TORNILLO	4
4A	770151	KIT, GRAPA, ARNÉS	1
4A1	-----	PERNO	1
4A2	-----	TORNILLO	1
4A3	-----	GRAPA, ARNÉS	1
4A4	-----	CLIP, ARNÉS	1
5A	770153	EJE, INFERIOR	1
6A	770152	KIT, CAMBIOS CAJA MONTAJE	1
6A1	-----	TORNILLO	3
6A2	-----	MONTAJE, CAMBIOS CAJA	1
6A3	-----	MANGA, EJE	1
6A4	-----	BASE, HOJA FIJA	1
7A	770154	PLACA, PREVENCIÓN DE HIERBA	1
8A	770155	CABEZA, CADENA	1
9A	770156	KIT, GUARDIA MONTAJE	1
9A2	-----	PROTECTOR	1
9A3	-----	HOJA	1
9A4	-----	TORNILLO	2
9A5	-----	PERNO	4
9A6	-----	SOPORTE, GUARDIA PLAT	1
10A	770157	KIT, TOPO EJE	1
10A1	-----	EJE, TOPO	1
10A2	-----	TORNILLO	1
10A3	-----	CLIP	1
11A	770158	KIT, ACOPLAMIENTO MONTAJE	1
11A1	-----	PERNO	1
11A2	-----	TORNILLO	1
11A3	-----	PERNO	2

LISTA DE PIEZAS

N.º Pieza	N.º Modelo	Descripción	Cant.
11A4	-----	PERNO, T	1
11A5	-----	ACOPLADOR	1
12A	770159	KIT, INTERRUPTOR Y BLOQUEO BOTÓN	1
12A1	-----	BOTÓN, LOCK-OUT	1
12A2	-----	BOTÓN, LOCK-OUT	1
12A3	-----	GATILLO	1
13A	770160	KIT, IZQUIERDO MANGO	1
13A2	-----	BOTÓN, PCB	2
13A3	-----	ALOJAMIENTO, MANGO, IZQUIERDO	1
13A4	-----	TORNILLO	1
13A5	-----	TORNILLO	4
14A	770162	KIT, MOTOR Y INTERRUPTOR	1
14A1	-----	SOPORTE, GOMA PLACA	2
14A2	-----	MOTOR	1
14A3	-----	CLIP	1
14A4	-----	TORNILLO	1
14A5	-----	SOPORTE, GOMA PLACA	1
14A6	-----	TORNILLO	1
14A7	-----	TORNILLO	1
15A	770163	KIT, IZQUIERDO ALOJAMIENTO	1
15A1	-----	PERNO	1
15A2	-----	SOPORTE, GOMA PLACA	1
15A4	-----	ALOJAMIENTO, EL MOTOR	1
15A5	-----	TORNILLO	1
15A6	-----	TORNILLO	7
16A	770164	KIT, LIBERACIÓN DE BATERÍA BOTÓN	1
16A1	-----	RESORTE	1
16A2	-----	PIN	1
16A3	-----	BOTÓN, LIBERACIÓN DE BATERÍA	1
16A4	-----	SOPORTE, PRENSA PLACA	1
16A5	-----	TORNILLO	2
17A	770165	KIT, DERECHO ALOJAMIENTO	1
17A1	-----	ALOJAMIENTO, EL MOTOR	1
17A2	-----	TORNILLO	1
17A3	-----	SOPORTE, GOMA PLACA	1
18A	770166	KIT, PCB	1
18A1	-----	RESORTE	2
18A2	-----	TORNILLO	2
18A3	-----	INTERRUPTOR	1

LISTA DE PIEZAS

N.º Pieza	N.º Modelo	Descripción	Cant.
18A4	-----	PCB	1
18A5	-----	SOPORTE, INSERTAR PLACA	1
19A	770167	CORREA, ARNÉS	1
20A	1760266	BATERÍA, 2AH, NORTE AMÉRICA (OPCIONAL)	1
21A	1760263	CARGADOR RÁPIDO, NORTE AMÉRICA (OPCIONAL)	1
22A	1760265	BATERÍA, 4AH, NORTE AMÉRICA (OPCIONAL)	1

Not for Reproduction

SNAPPER®

XD

Briggs & Stratton Power Products Group, LLC
P.O. Box 702
Milwaukee, WI 53201

LÍNEA GRATUITA LÍNEA DE AYUDA: 1-800-317-7833