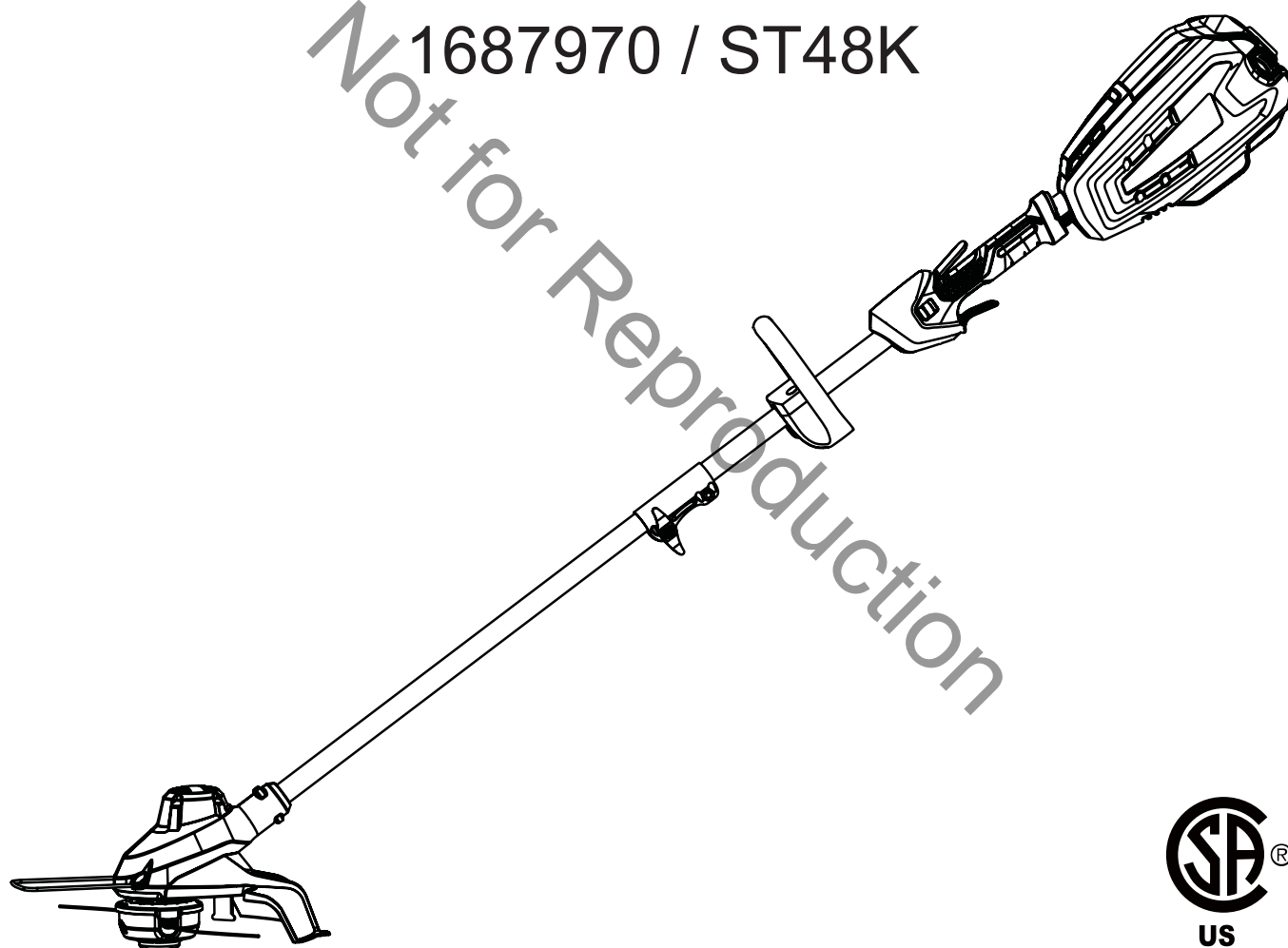

SNAPPER HD

48V Cordless String Trimmer
1696956 & 80075680 / ST48
1687970 / ST48K



US
218549

Owner's Manual

TOLL-FREE HELPLINE: 1-800-317-7833

www.snapper.com

⚠ Read all safety rules and instructions carefully before operating this tool.

CONTENTS

Contents	2
Specifications	2
Important Safety Instructions	3
Symbols	6
Know Your String Trimmer.....	8
Assembly	10
Operation	16
Maintenance.....	24
Environmentally Safe Battery Disposal.....	25
Troubleshooting.....	26
Warranty.....	28
Exploded view.....	30
Parts list.....	31

SPECIFICATIONS

48V 13" STRING TRIMMER

Type	Cordless, battery powered
Motor.....	48V DC
Cutting Width	11/13 in. (27.9/33.0 cm)
Line Diameter.....	Nylon / .080" (2.0 mm)
Speed (max).....	6900±10%/6300±10% RPM
Feed Type	Bump Feed
Weight (without battery).....	6.8 lbs (3.1 kg)

*Disclaimer: *Maximum initial battery voltage (measured without a workload) is 48 volts. Nominal voltage is 43.*

IMPORTANT SAFETY INSTRUCTIONS

⚠ W A R N I N G

Read and understand all instructions before using this product. Failure to follow all instructions listed below may result in electric shock, fire, and/or serious personal injury.

- Use only identical manufacturer's replacement parts and accessories. Use of any other parts may create a hazard or cause product damage.
- Always wear safety glasses with side shields marked to comply with ANSI Z87.1. Everyday glasses have only impact resistant lenses. They are NOT safety glasses. Following this rule will reduce the risk of eye injury. Use face mask if operating in dusty work spaces.
- Avoid Dangerous Environment — Don't expose power tools to damp or wet conditions. Water entering a power tool will increase the risk of electric shock.
- Don't use in rain.
- Keep all bystanders, children, and pets at least 50 ft. away.
- Do not use the power tools for any job except that for which it is intended.
- Avoid Unintentional Starting – Do not carry string trimmer with fingers on the switch. Be sure the battery is removed while transporting.
- Do not operate the equipment while barefoot or when wearing sandals or similar lightweight footwear. Wear protective footwear that will protect your feet and improve your footing on slippery surfaces.
- Don't overreach - Keep proper footing and balance at all times.
- Stay alert - Watch what you are doing. Use common sense. Do not operate this unit when you are tired, ill or under the influence of alcohol, drugs or medication.
- Always store idle power tools indoors - When not in use, power tools should be stored indoors in a dry place, out of reach of children.
- Power tool maintenance – Replace string head if cracked, chipped, or damaged in any way. Be sure the string head is properly installed and securely fastened. Keep cutting edge sharp and clean for best performance and to reduce the risk of injury. Follow instructions for lubricating and changing accessories. Inspect appliance cord periodically, and if damaged, have it repaired by an authorized service facility. Inspect extension cords periodically and replace if damaged. Keep handles dry, clean, and free from oil and grease. Failure to do so can cause serious injury.
- Check Damaged Parts – Before further use of the appliance, a guard or other part that is damaged should be carefully checked to determine that it will operate properly and perform its intended function. Check for alignment of moving parts, binding of moving parts, breakage of parts, damaged

IMPORTANT SAFETY INSTRUCTIONS

mountings, and any other condition that may affect its operation. A guard or other part that is damaged should be properly repaired or replaced by an authorized service center unless indicated elsewhere in this manual.

- Do not charge or operate cordless tools in damp or wet locations or in the rain. Following this rule will reduce the risk of electric shock.
- Remove or disconnect battery before servicing, cleaning or removing material from the gardening appliance.
- Do not dispose of the batteries in a fire. The cells may explode. Check with local codes for possible special disposal instructions.
- Do not open or mutilate the batteries. Released electrolyte is corrosive and may cause damage to the eyes or skin. It may be toxic if swallowed.
- Exercise care in handling batteries in order not to short the battery with conducting materials such as rings, bracelets, and keys. The battery or conductor may overheat and cause burns.
- Dress Properly – Do not wear loose clothing or jewelry. They can be caught in moving parts. Use of rubber gloves and substantial footwear is recommended when working outdoors. Wear protective hair covering to contain long hair.
- Do not add unnecessary force to your power tool – It will do the job better and with less likelihood of a risk of injury at the rate for which it was designed.
- Recharge only with the charger specified by the manufacturer. A charger that is suitable for one type of battery pack may create a risk of fire when used with another battery pack.
- Use only Briggs & Stratton batteries: BSB2AH48 or BSB5AH48.
- Use only Briggs & Stratton charger: BS2AC48.
- When battery pack is not in use, keep it away from other metal objects, like paper clips, coins, keys, nails, screws or other small metal objects, that can make a connection from one terminal to another. Shorting the battery terminals together may cause a fire.
- Under abusive conditions, liquid may be ejected from the battery; avoid contact. If contact accidentally occurs, flush with water. If liquid contacts eyes, additionally seek medical help. Liquid ejected from the battery may cause irritation or burns.
- Do not use a battery pack or appliance that is damaged or modified. Damaged or modified batteries may exhibit unpredictable behavior resulting in fire, explosion or risk of injury.
- Do not expose a battery pack or appliance to fire or excessive temperature. Exposure to fire or temperature above 265°F (130°C) may cause an explosion.

IMPORTANT SAFETY INSTRUCTIONS

- Follow all charging instructions and do not charge the battery pack or appliance outside of the temperature range specified in the instructions. Charging improperly or at temperatures outside of the specified range may damage the battery and increase the risk of fire.
- Have servicing performed by a qualified repair person using only identical replacement parts. This will ensure that the safety of the product is maintained.
- Prevent unintentional starting. Ensure the switch is in the off-position before connecting to battery pack, picking up or carrying the appliance which will have the switch on would invite accidents.
- Disconnect appliance- Remove the battery when not in use, before servicing, when changing accessories such as blade, and the like.
- Use appliances only with specific designated battery packs. Use of any other battery packs may create a risk of injury and fire.
- Do not modify or attempt to repair the appliance or the battery pack except as indicated in the instructions for use and care.

⚠ W A R N I N G (PROPOSITION 65)

Some dust created by power sanding, sawing, grinding, drilling, and other construction activities contains chemicals known to cause cancer, birth defects or other reproductive harm. Some examples of these chemicals are:








- Lead from lead-based paints
- Crystalline silica from bricks and cement and other masonry products, and
- Arsenic and chromium from chemically treated lumber.

Your risk of exposure to these chemicals varies depending on how often you do this type of work. To reduce your exposure to these chemicals, work in a well-ventilated area, and work with approved safety equipment, such as dust masks that are specially designed to filter out microscopic particles.

SAVE THESE INSTRUCTIONS




SYMBOLS

Some of the following symbols may be used on this product. Please study them and learn their meaning. Proper interpretation of these symbols will allow you to operate the product better and safer.

SYMBOL	NAME	DESIGNATION/EXPLANATION
V	Volts	Voltage
min	Minutes	Time
— — —	Direct Current	Type or a characteristic of current
	No Blade	Do not install or use any type of blade on a product or displaying this symbol.
	Wet Conditions Alert	Do not expose to rain or use in damp locations.
	Read The Operator's Manual	To reduce the risk of injury user must read and understand operator's manual before using this product.
	Eye Protection	Always wear eye protection with side shields marked to comply with ANSI Z87.1 when operating this equipment.
	Safety Alert	Precautions that involve your safety.
	Ricochet	Thrown objects can ricochet and result in personal injury or property damage.
	Keep Bystanders Away	Keep all bystanders at least 50 ft. away.

SYMBOLS

The following signal words and meanings are intended to explain the levels of risk associated with this product.

SYMBOL	SIGNAL	MEANING
	DANGER	Indicates an imminently hazardous situation, which, if not avoided, will result in death or serious injury.
	WARNING	Indicates a potentially hazardous situation, which, if not avoided, could result in death or serious injury.
	CAUTION	Indicates a potentially hazardous situation, which, if not avoided, may result in minor or moderate injury.
	CAUTION	(Without Safety Alert Symbol) Indicates a situation that may result in property damage.

SERVICE

Servicing requires extreme care and knowledge and should be performed only by a qualified service technician. For service we suggest you return the product to your nearest **AUTHORIZED SERVICE CENTER** for repair. Use only identical manufacturer's replacement parts and accessories.

W A R N I N G

To avoid serious personal injury, do not attempt to use this product until you have read this Owner's Manual thoroughly and understand it completely. If you do not understand the warnings and instructions in this Owner's Manual, do not use this product. Call the Toll-free Helpline (1-800-317-7833) for assistance.

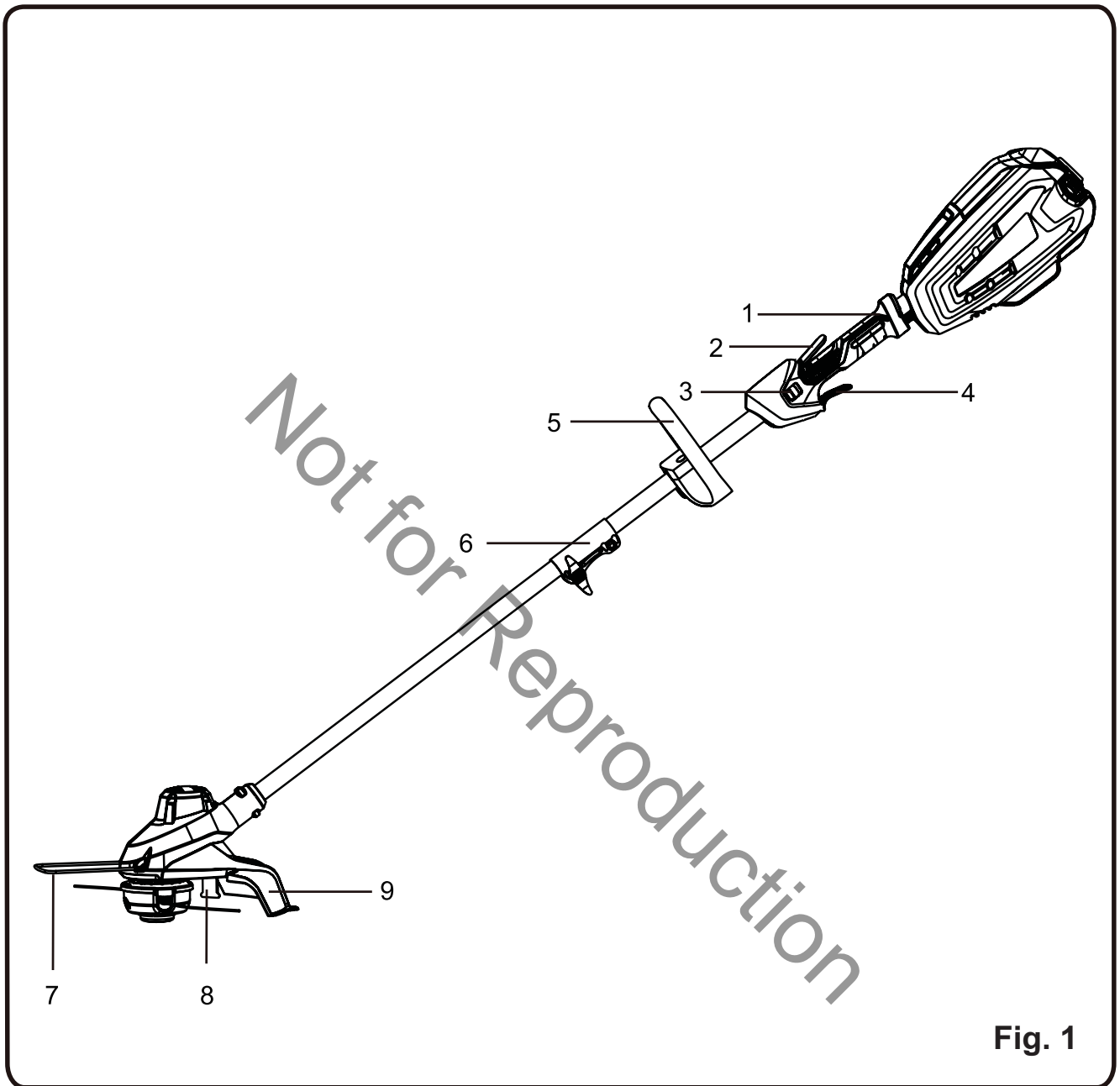
W A R N I N G



The operation of any power tool can result in foreign objects being thrown into your eyes, which can result in severe eye damage. Before beginning power tool operation, always wear safety goggles or safety glasses with side shields and, when needed, a full face shield. We recommend Wide Vision Safety Mask for use over eyeglasses or standard safety glasses with side shields. Always use eye protection which is marked to comply with ANSI Z87.1.

SAVE THESE INSTRUCTIONS

KNOW YOUR STRING TRIMMER



KNOW YOUR STRING TRIMMER

KNOW YOUR STRING TRIMMER (See Figure 1.)

The safe use of this product requires an understanding of the information on the product and in this operator's manual as well as a knowledge of the project you are attempting. Before use of this product, familiarize yourself with all operating features and safety rules.

1. REAR HANDLE

Ergonomic handle with overmold improves comfort and grip.

2. SAFETY LOCK-OUT TRIGGER

The safety lock-out trigger prevents accidental starting.

3. HIGH/LOW SPEED BUTTON

Set the speed to low for greater runtime and high for quicker cutting.

4. TRIGGER

Activates the string trimmer when pulled.

5. AUXILIARY HANDLE

The string trimmer is equipped with an auxiliary handle for added control and ease of operation.

6. COUPLER

The coupler connects and locks the two shafts.

7. EDGE GUIDE

Allows for trimming around flower bed without damaging plants.

8. CUT-OFF BLADE

Adjustable steel blade on the guard keeps the cutting line at the proper cutting length.

9. GUARD

The trimmer includes a guard that helps protect from flying debris.

ASSEMBLY

UNPACKING

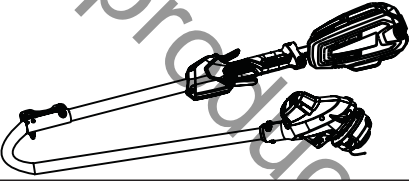
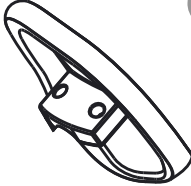
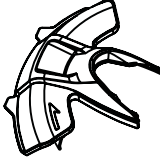


This product requires assembly.

- Carefully remove the product and any accessories from the box. Make sure that all items listed in the packing list are included.
- Inspect the tool carefully to make sure no breakage or damage occurred during shipping.
- Do not discard the packing material until you have carefully inspected and satisfactorily operated the tool.
- If any parts are damaged or missing, please call 1-800-317-7833.

⚠ WARNING

Do not use this product if any parts on the packing list are already assembled to your product when you unpack it. Parts on this list are not assembled to the product by the manufacturer and require customer installation. Use of a product that may have been improperly assembled could result in serious personal injury.

PACKING LIST

Part Name	Figure	Qty
String Trimmer		1
Auxiliary handle		1
Guard		1
Edge guide		1
Operator's Manual		1

ASSEMBLY

⚠ WARNING

If any parts are damaged or missing, do not operate this product until the parts are replaced. Use of this product with damaged or missing parts could result in serious personal injury.

⚠ WARNING

Do not attempt to modify this product or create accessories not recommended for use with this string trimmer. Any such alteration or modification is misuse and could result in a hazardous condition leading to possible serious personal injury.

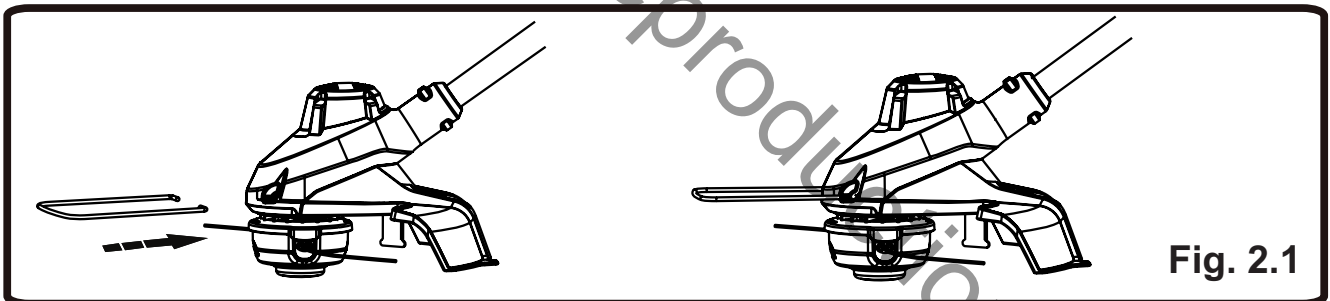
⚠ WARNING

Do not connect to power supply until assembly is complete. Failure to comply could result in accidental starting and possible serious personal injury.

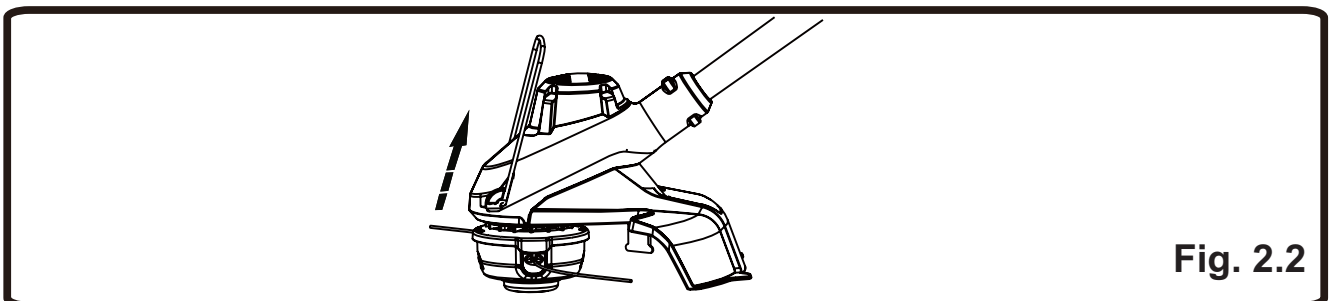
ATTACH THE EDGE GUIDE (See *Figures 2.1 and 2.2*)

The edge guide can limit the cutting range of the trimmer and reduce the risk of the rotating cutting line causing damage.

1. To use the edge guide, press the edge guide onto the trimmer head.



2. Edge guide can be flipped up for storage.



ASSEMBLY

ATTACH THE GUARD (See Figures 3.1 - 3.3)

NOTE: Install the guard before the attachment is connected to the lower shaft.

1. Invert the string trimmer to access the trimmer head.
2. Remove supplied screws (1) from the guard with a philips screwdriver (not included).

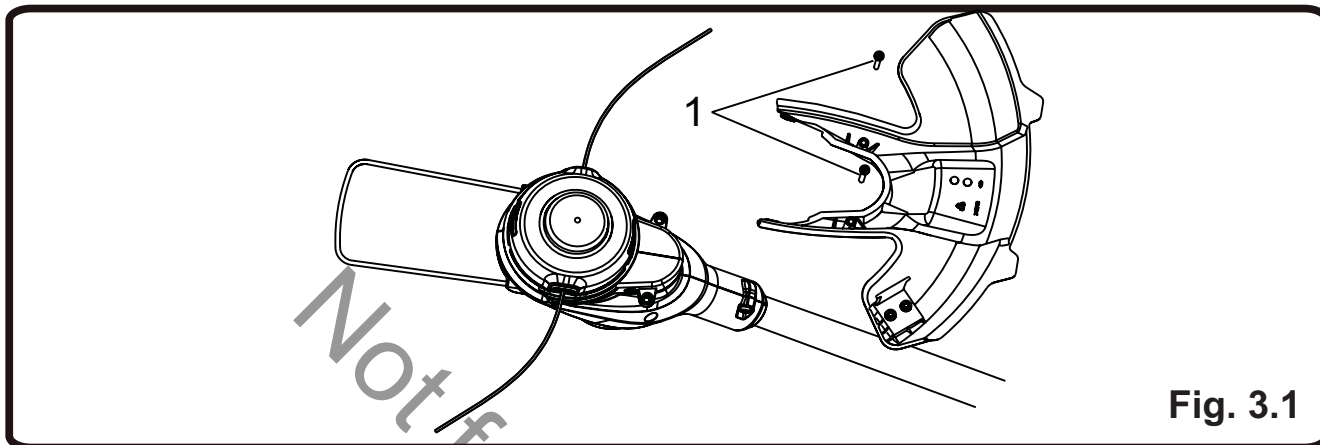


Fig. 3.1

3. Slide the guard (1) into the slots on the trimmer head.
4. Align the screw holes on the guard (2) with the screw holes on the trimmer head (3).

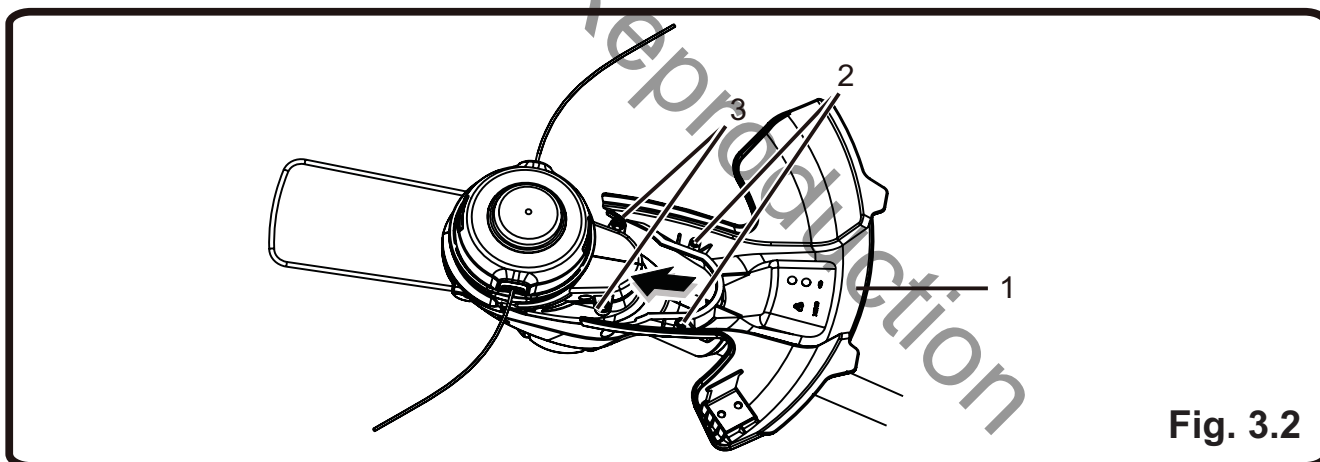


Fig. 3.2

5. Insert the screws into the trimmer head, fastening the guard in place using a philips head screwdriver (not included).

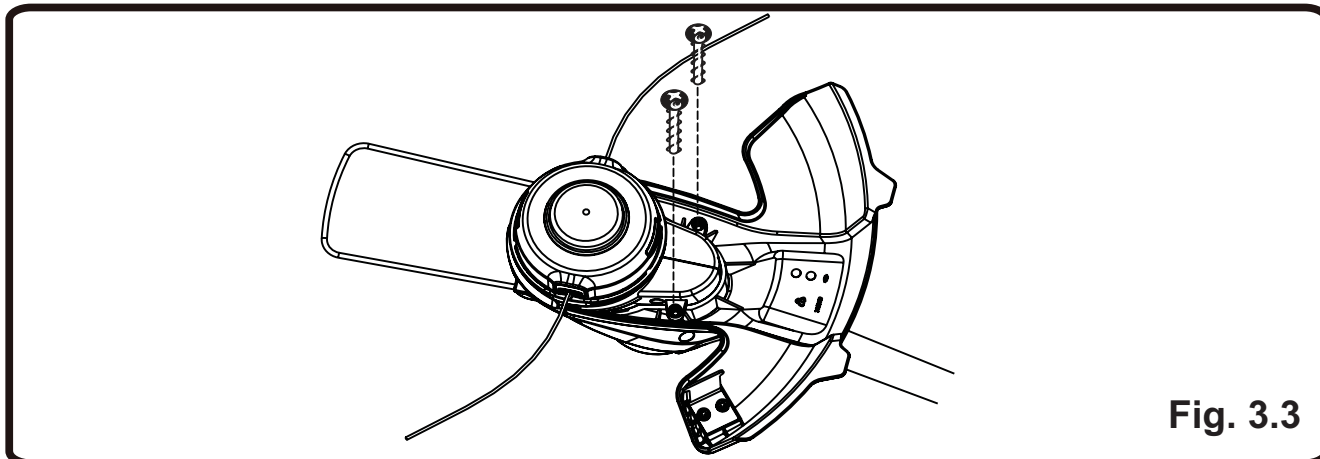


Fig. 3.3

ASSEMBLY

INSTALL THE UPPER SHAFT TO THE LOWER SHAFT

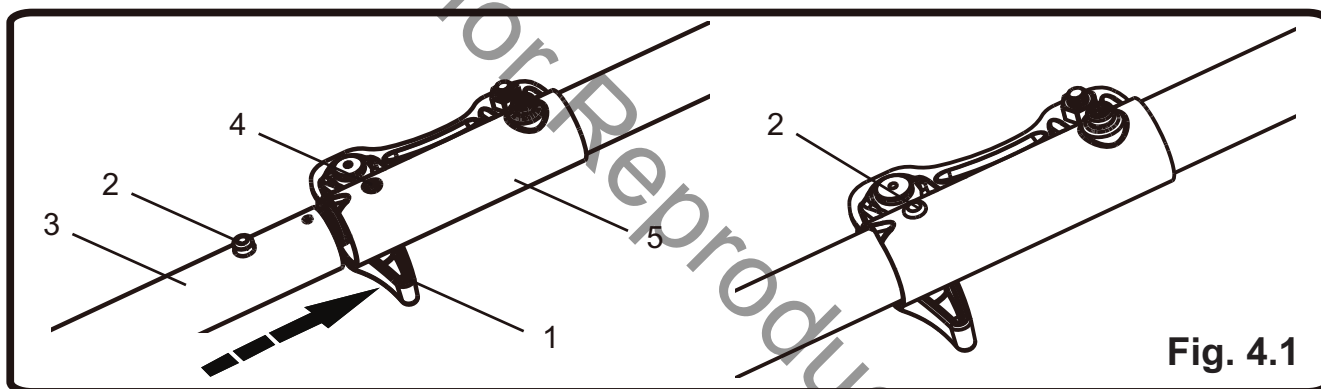
(See Figures 4.1 and 4.2)

⚠ WARNING

Never install, remove, or adjust any attachment while string trimmer is running. Failure to stop the motor can cause serious personal injury.

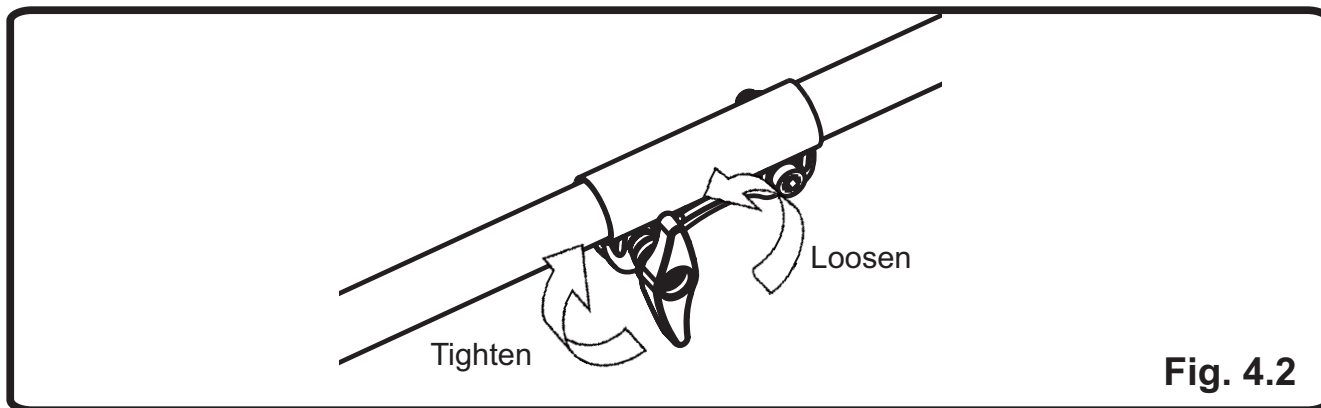
The attachment connects to the power head by means of a coupler device.

1. Set the unit on a flat, level surface.
2. Loosen the knob (1) on the coupler (5).
3. Push in the release button (2) located on the lower shaft (3). Align the release button with the positioning hole (4) and slide the two shafts together. Rotate the lower shaft until the button locks into the positioning hole.



NOTE: If the button does not release completely in the positioning hole, the shafts are not locked into place. Slightly rotate from side to side until the button is locked into place.

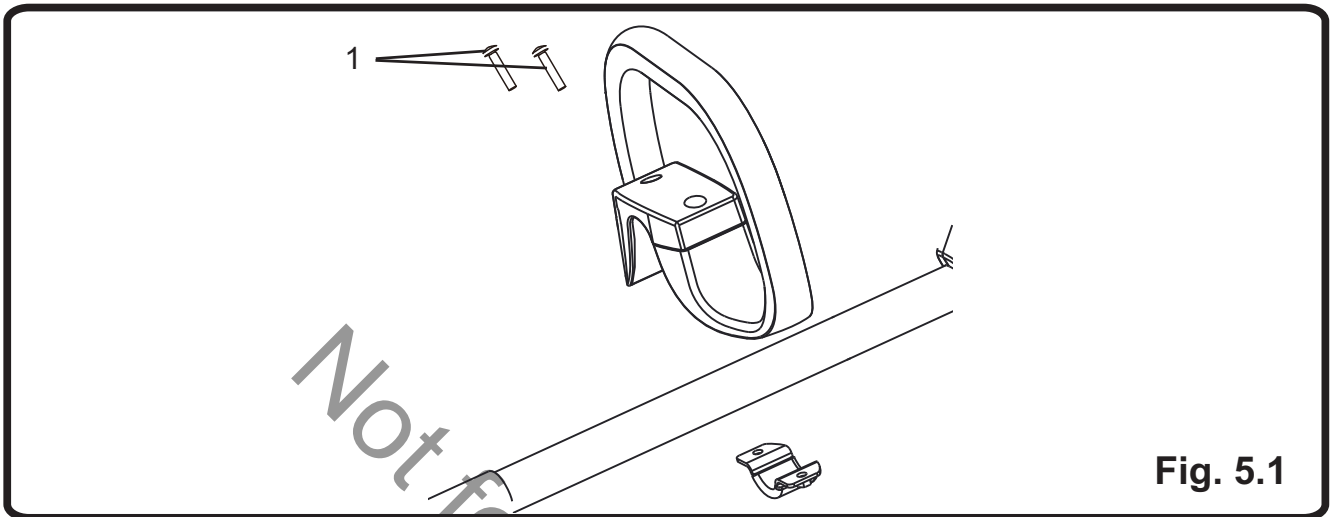
4. Tighten the knob securely.



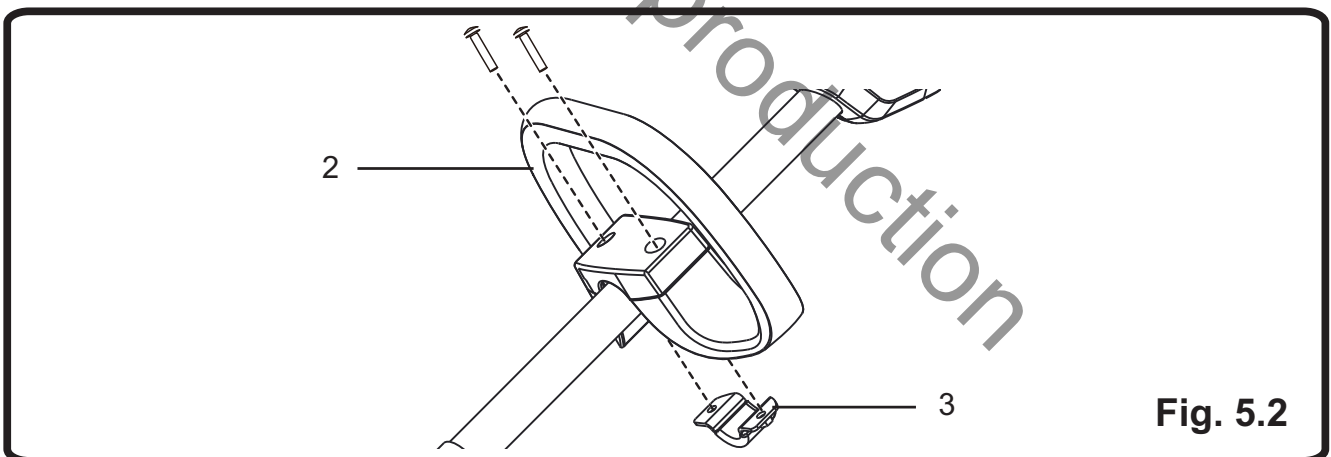
ASSEMBLY

ATTACH THE AUXILIARY HANDLE (See Figures 5.1 and 5.2)

1. Loosen the two screws (1) in the handle with a philips screwdriver (not included) and remove the screws from the handle.



2. Attach the auxiliary handle (2) and lower clamp (3) on the shaft.
3. Adjust handle up or down, if necessary, to desired operating position.



4. Insert and tighten the two screws so that the handle cannot be rotated on the shaft.

ASSEMBLY

ADJUST THE CUTTING SWATH (See *Figure 6.*)

This trimmer is equipped with a line cut-off blade on the guard. The line cut off blade continuously trims the line to ensure a consistent and efficient cut diameter. Advance line whenever you hear the engine running faster than normal, or when trimming efficiency diminishes. This will maintain best performance and keep line long enough to advance properly.

This trimmer is currently set at the 11 in. cutting swath. To adjust to a cutting swath of 13 in.:

1. Remove the battery pack.
2. Remove the blade screws then rotate the line cut-off blade 180°.
3. Tighten the blade screw.

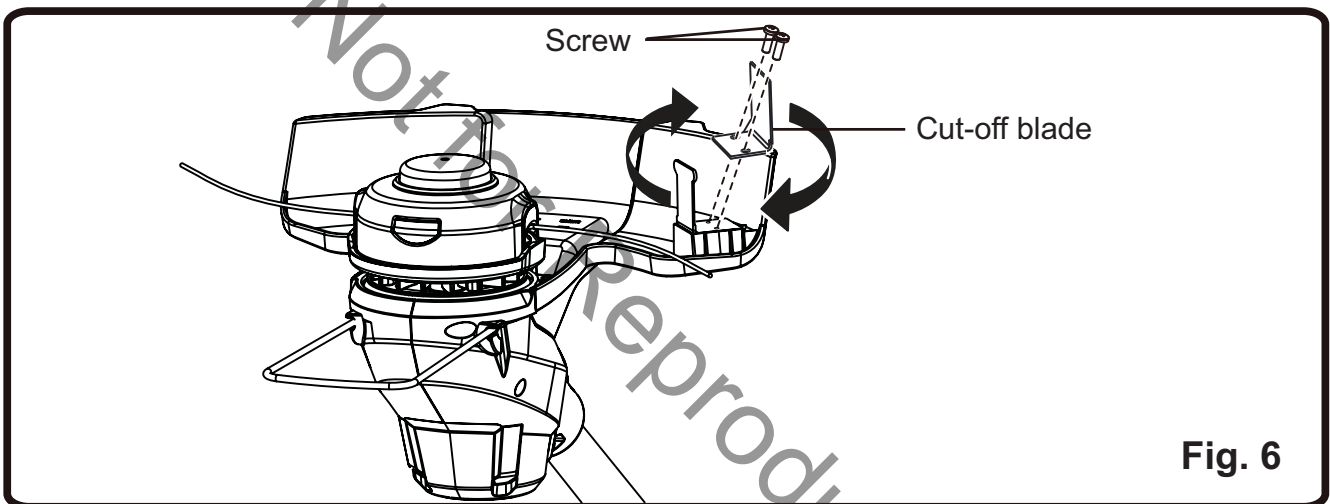


Fig. 6

OPERATION

⚠ WARNING

Do not allow familiarity with this product to make you careless. Remember that a careless fraction of a second is sufficient to inflict serious injury.

⚠ WARNING

Do not use any attachments or accessories not recommended by the manufacturer of this product. The use of attachments or accessories not recommended can result in serious personal injury.

⚠ WARNING

This string trimmer is not meant to be used with brush cutter attachments. Use of a brush cutter attachment could cause serious personal injuries or property damage.

Not for Reproduction

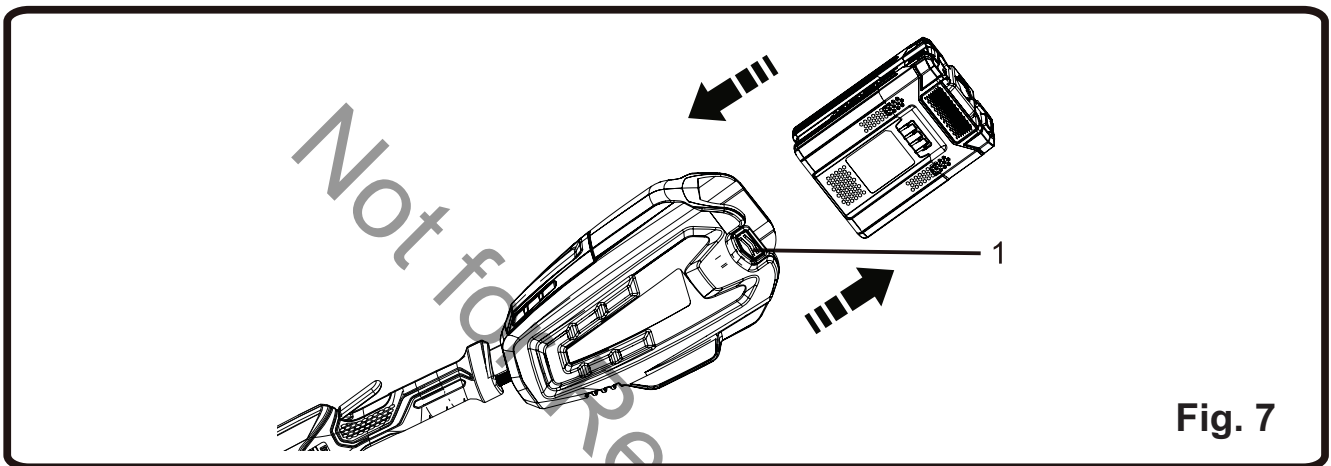
OPERATION

INSTALLING THE BATTERY PACK (See Figure 7.)

- Align raised ribs on battery pack with grooves in the trimmer's battery port.
- Make sure the latch on the battery pack clicks into place and the battery pack is fully seated and secured in the trimmer before beginning operation.

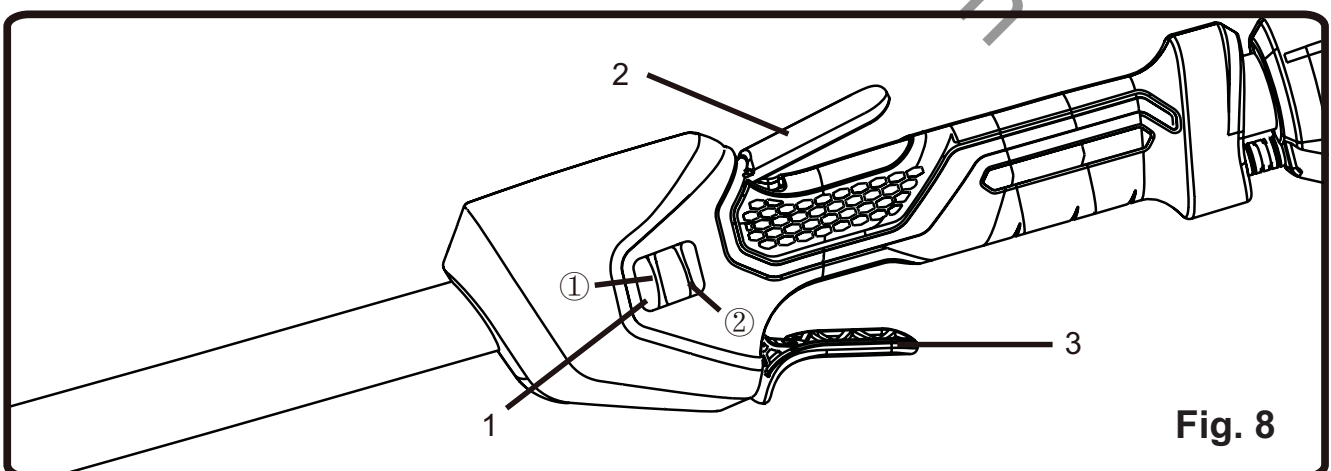
REMOVING THE BATTERY PACK (See Figure 7.)

- Depress the battery release button (1) in the back of the battery pack and pull the battery pack out of the tool.



STARTING AND STOPPING THE TRIMMER (See Figure 8.)

- Slide the speed switch (1) to the desired operating speed. Slide the speed switch to position 1 for low speed or position 2 for high speed.
- Press the safety lock trigger (2). Squeeze the trigger (3) to start.
- Release the trigger to stop.



OPERATION

OPERATING THE TRIMMER (See Figure 9.)

⚠ WARNING

Always hold the string trimmer away from the body keeping clearance between the body and the string trimmer. Any contact with the string trimmer cutting head while operating can result in serious personal injury.

Follow these tips when using the string trimmer:

- Hold the trimmer with your right hand on the rear handle and your left hand on the auxiliary handle.
- Keep a firm grip with both hands while in operation.
- Trimmer should be held at a comfortable position with the rear handle about hip height.
- Cut tall grass from the top down. This will prevent grass from wrapping around the shaft housing and string head which may cause damage from overheating.

If grass becomes wrapped around the string head:

- Remove the battery pack.
- Remove the grass.

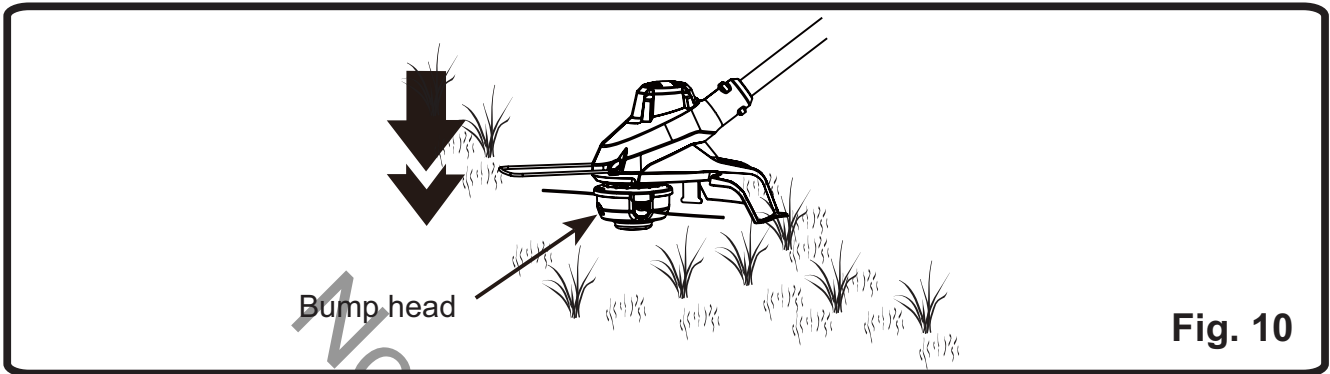


Fig. 9

OPERATION

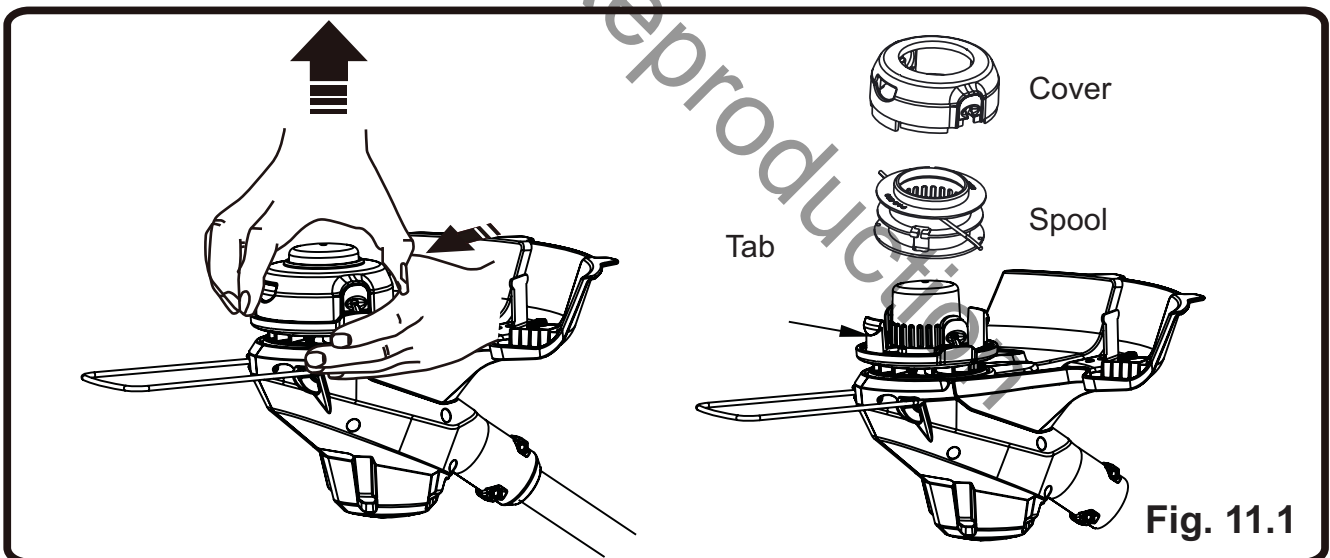
ADVANCING LINE (See Figure 10.)

While the string trimmer is operating, the cutting line gets worn down and becomes shorter. This trimmer is equipped with bump feed line advancement, which advances additional line once the head is bumped on the ground while rotating. The cutting blade will cut the line to keep an accurate cutting swath.



SPOOL REPLACEMENT (See Figures 11.1 - 11.7)

1. Remove the battery pack from the tool.
2. Press the tabs simultaneously on the side of the trimmer head and remove cover and spool.



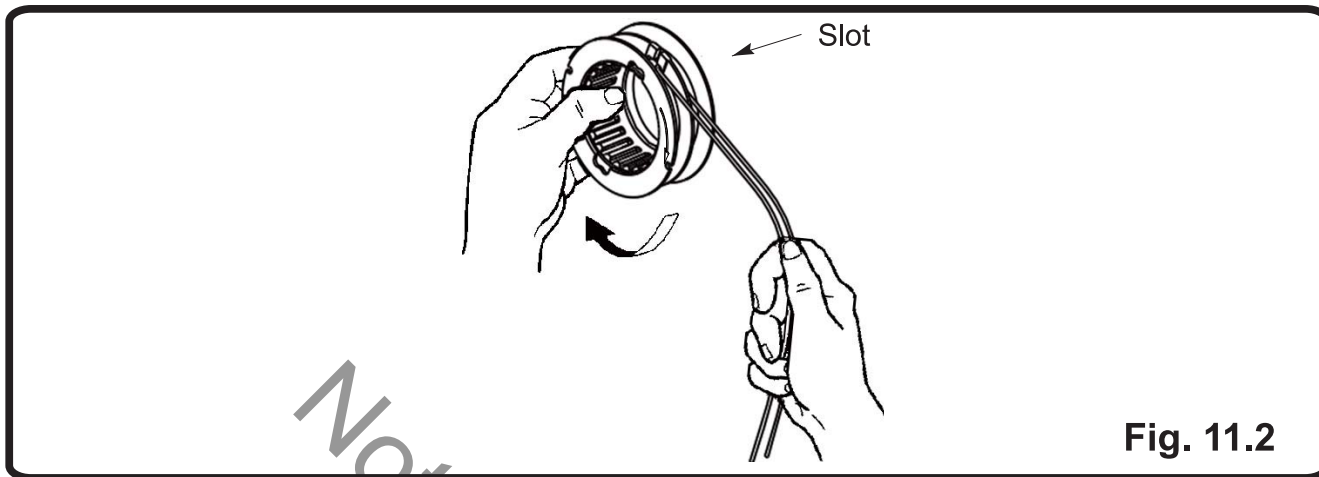
3. Remove any remaining line.
4. Clean dirt and debris from all parts. Replace spool if it is worn or damaged.
5. Replace with a pre-wound spool, or replace line using 15 feet (4.6 meters) of 0.080 inch (2.0 mm) diameter line.

⚠ WARNING

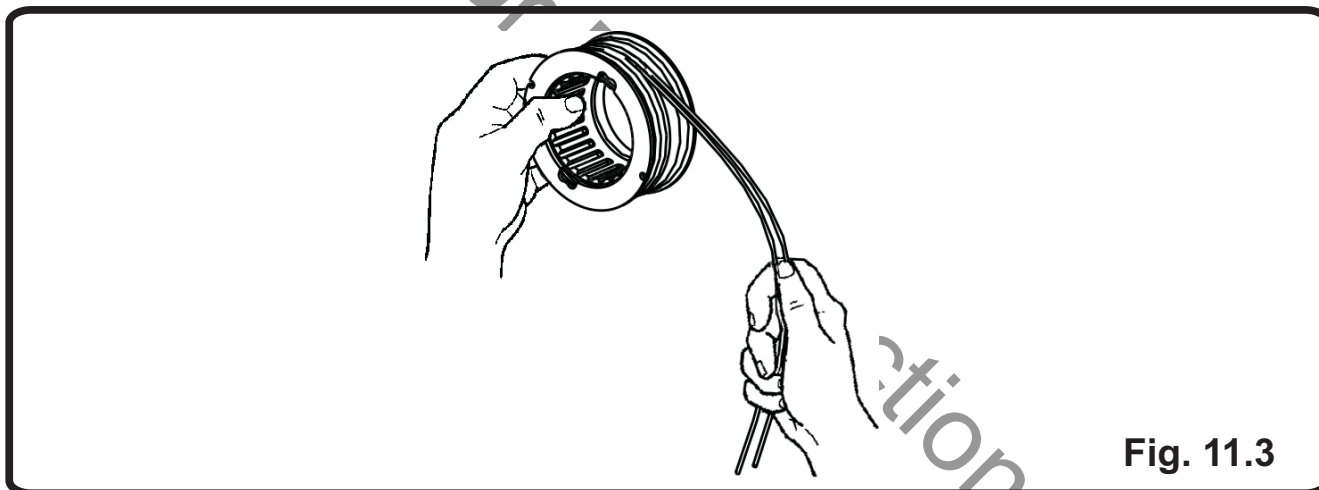
Never use wire, rope, string, etc., which can break off and become a dangerous projectile.

OPERATION

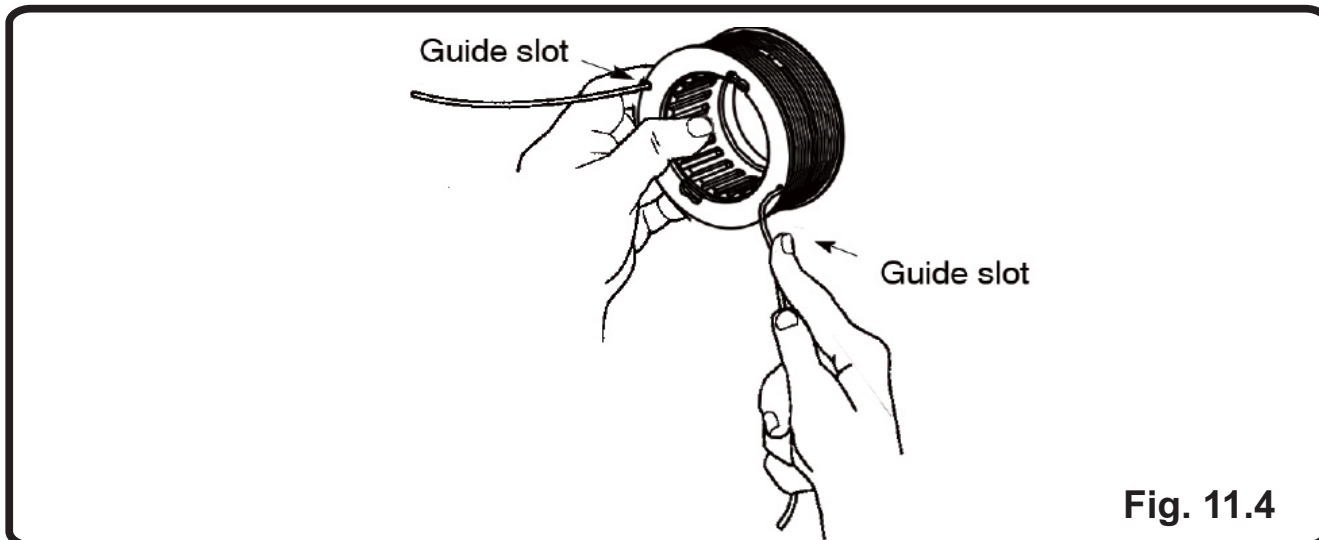
6. When installing new line on an existing spool, hold the spool as shown.
7. Bend the line at the midpoint and insert the bend into the slot in the center rim of the spool. Make sure that the line snaps into position in the slot.



8. With your finger between the lines, wrap the lines evenly and firmly around the spool in a clockwise direction.

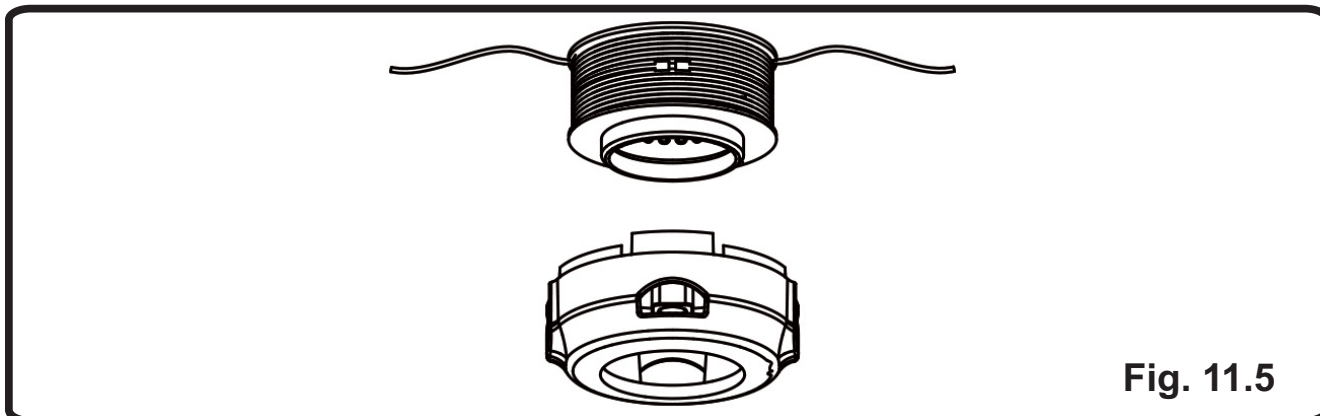


9. Position the lines in the guide slots.

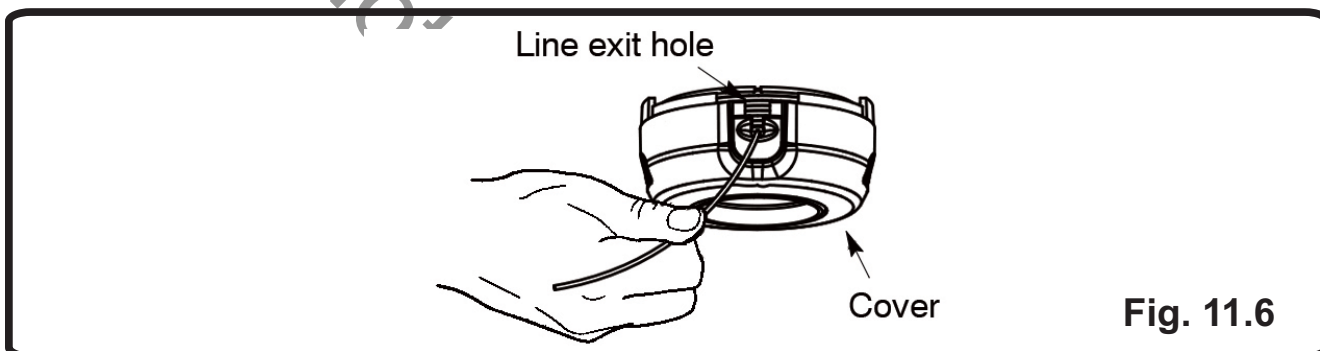


OPERATION

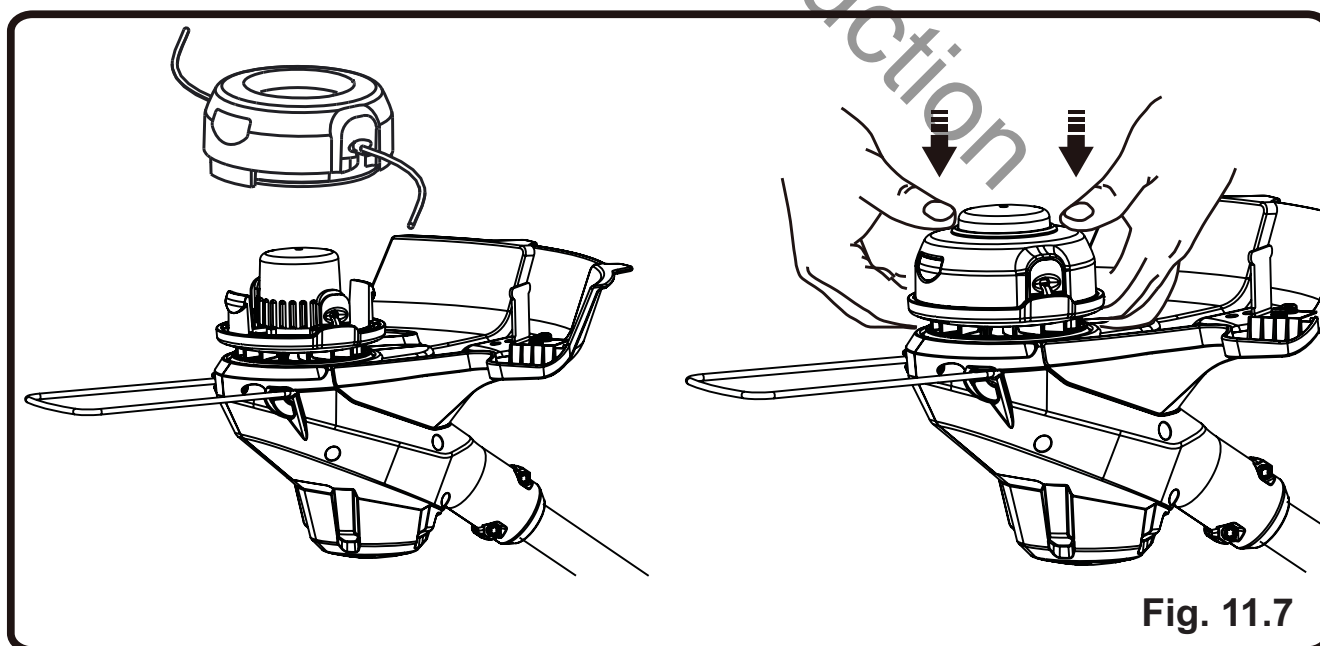
10. Place the spool in the cover as shown below.



11. Insert the ends of the lines through the line exit holes in the sides of the cover.



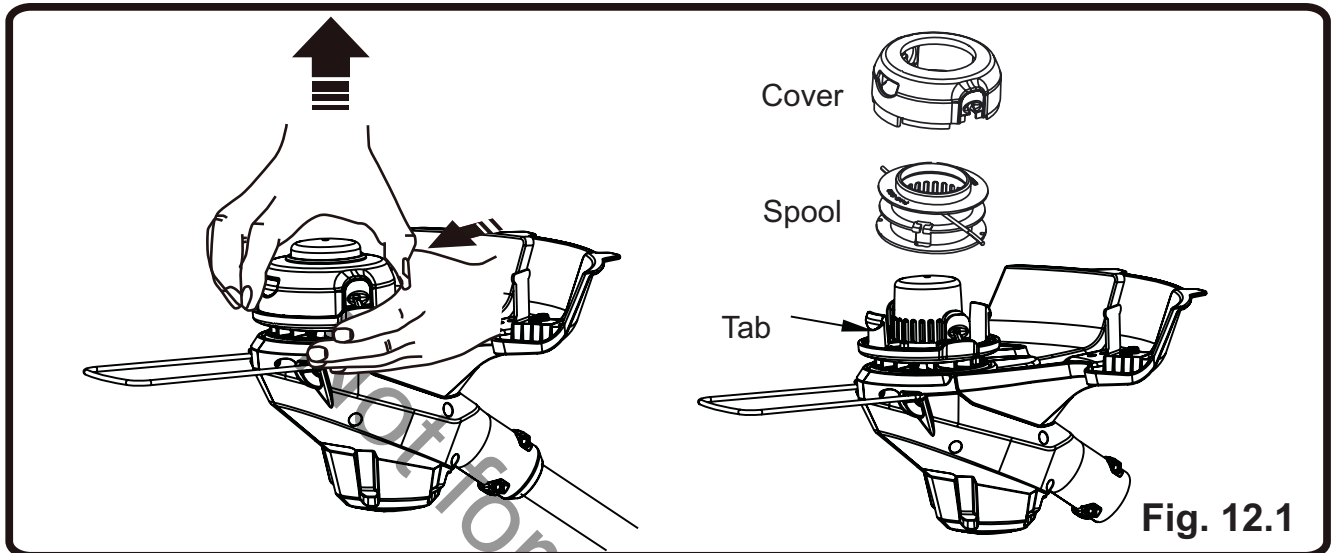
12. Reinstall the spool and cover onto the trimmer head. Push until cover snaps into place.



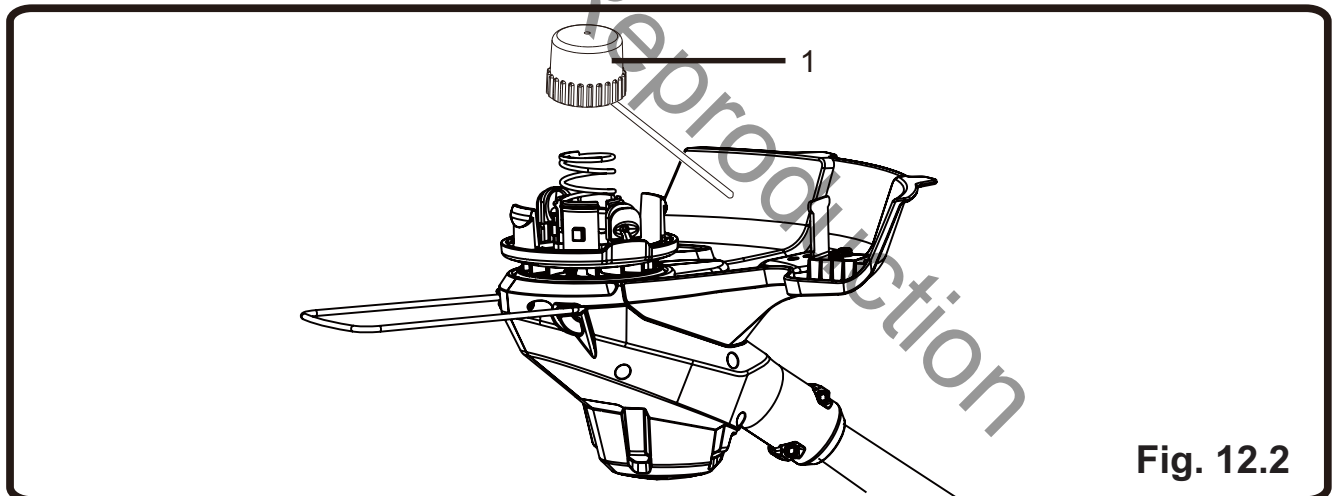
OPERATION

BUMP KNOB REPLACEMENT (See Figures 12.1 - 12.3)

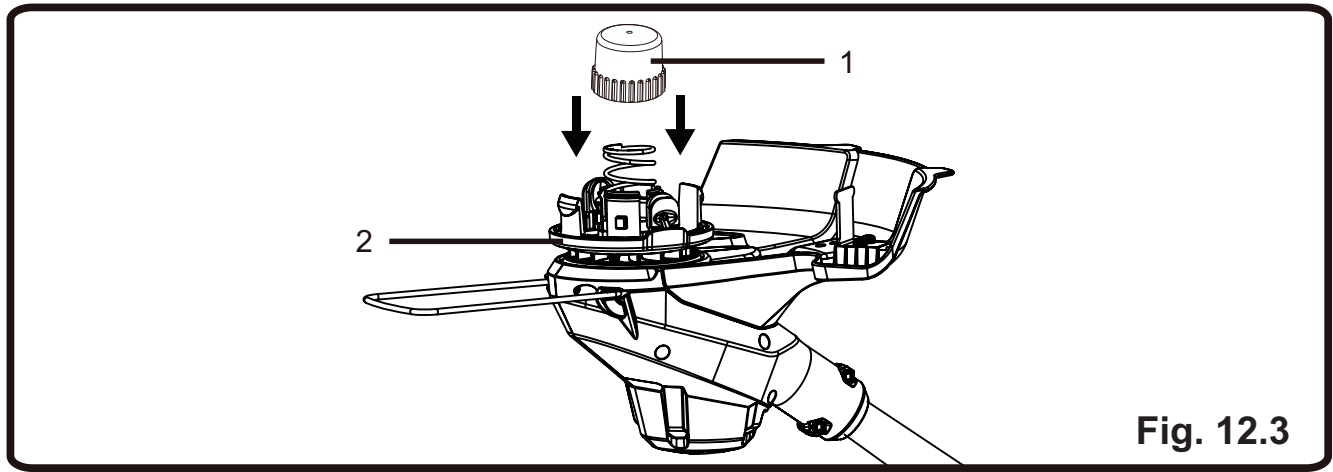
1. Remove the battery pack.
2. Press the tabs simultaneously on the side of the trimmer head and remove cover and spool.



3. While holding the bump knob (1), firmly pry it out with a metal rod (not provided).



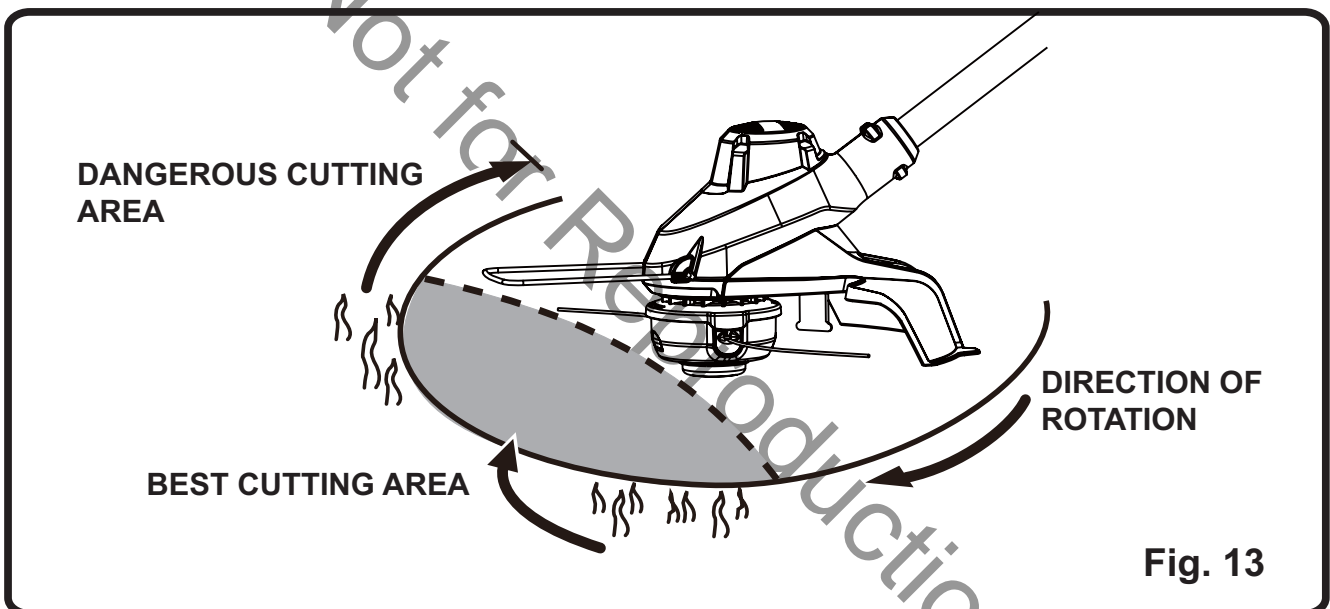
4. Replace with a new bump knob (1). Push the bump knob into the spool housing (2).



OPERATION

CUTTING TIPS (See *Figure 13.*)

- Keep the trimmer tilted toward the area being cut; this is the best cutting area.
- The trimmer cuts when passing the unit from right to left. This will avoid throwing debris at the operator. Avoid cutting in the dangerous area shown in figure 13.
- Use the tip of string to do the cutting; do not force string head into uncut grass.
- Wire and picket fences cause extra string wear and breakage. Stone and brick walls, curbs, and wood may wear string rapidly.
- Avoid trees and shrubs. Tree bark, wood moldings, siding, and fence posts can easily be damaged by the string.



MAINTENANCE

GENERAL MAINTENANCE

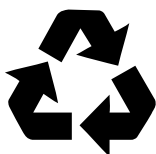
Avoid using solvents when cleaning plastic parts. Most plastics are susceptible to damage from various types of commercial solvents and may be damaged by their use. Use clean cloths to remove dirt, dust, lubricant, grease, etc.

Always store the machine clean and in a dry enclosure with the battery charged.

Maintenance task	Each time the machine is used	Every two hours	Each week	After use	Every year or when required
Visual check of the tool's safety systems (distancing device, carrying eye, safety casing)	X			X	
Check the trigger safety system functions	X				
Visual check of the tool (no cracks or deformation)	X	X			X
Visual check of the tool at the shaft attachment (no deformations or wear)	X	X			X
Check the battery level	X				
Inspection of the tool by an approved Snapper dealer					X

ENVIRONMENTALLY SAFE BATTERY DISPOSAL

The following toxic and corrosive materials are in the batteries used in this string trimmer battery pack: **Lithium-Ion, a toxic material.**



⚠ WARNING

All toxic materials must be disposed of in a specified manner to prevent contamination of the environment. Before disposing of damaged or worn out Lithium-Ion battery packs, contact your local waste disposal agency, or the local Environmental Protection Agency for information and specific instructions. Take the batteries to a local recycling and/or disposal centre, certified for lithium-ion disposal.

⚠ WARNING

If the battery pack cracks or breaks, with or without leaks, do not recharge it and do not use. Dispose of it and replace with a new battery pack. **DO NOT ATTEMPT TO REPAIR IT!**

To avoid injury and risk of fire, explosion, or electric shock, and to avoid damage to the environment:

- Cover the battery's terminals with heavy-duty adhesive tape.
 - DO NOT attempt to remove or destroy any of the battery pack components.
 - DO NOT attempt to open the battery pack.
 - If a leak develops, the released electrolytes are corrosive and toxic. DO NOT get the solution in the eyes or on skin, and do not swallow it.
 - DO NOT place these batteries in your regular household trash.
 - DO NOT incinerate.
 - DO NOT place them where they will become part of any waste landfill or municipal solid waste stream.
 - Take them to a certified recycling or disposal centre.
-

TROUBLESHOOTING

Problem	Cause	Solution
String trimmer fails to start when trigger lock button is depressed.	1. The battery pack is not attached to the trimmer.	1. Attach the battery pack to the trimmer.
	2. No electrical contact between the trimmer and battery.	2. Remove battery check contact and reinstall the battery pack.
	3. The battery pack is depleted.	3. Charge the battery pack.
	4. The lock-out button and trigger are not depressed simultaneously.	4. Press down the lock-out button and hold it, then depress the trigger to turn on the string trimmer.
String trimmer stops while cutting.	1. The guard is not mounted on the trimmer, resulting in an overly long trimmer line and motor overload.	1. Remove the battery pack and mount the guard on the trimmer.
	2. Heavy cutting line is used.	2. Use only with nylon cutting line 0.080" diameter or less.
	3. The motor shaft or trimmer head is bound with grass.	3. Stop the trimmer, remove the battery, and remove the grass from the motor shaft and trimmer head.
	4. The motor is overloaded.	4. Remove the trimmer head from the grass. the motor will recover to work as soon as the load is removed. When cutting, move the trimmer head in and out of the grass to be cut and remove no more than 8 inches of length in a single cut.
	5. The battery pack or string trimmer is too hot.	5. Allow the battery pack or trimmer to cool until the temperature drops to the normal temperature.
	6. The battery pack is disconnected from the tool.	6. Re-install the battery pack.
	7. The battery pack is depleted.	7. Charge the battery pack.

TROUBLESHOOTING

Problem	Cause	Solution
Lines will not advance.	1. Lines are welded to themselves.	1. Lubricate with silicone spray. Respool the head by following the directions in this manual.
	2. Not enough line on spool.	2. Install more line. Refer to Line Replacement earlier in this manual.
	3. Lines are worn too short.	3. Manually advance the line by pressing the bump knob.
	4. Lines are tangled on spool.	4. Remove lines from spool and rewind. Refer to Line Replacement earlier in this manual.
Line keeps breaking.	1. Trimmer used incorrectly.	1. Only trim with the tip of the line, avoid stones, walls and other hard objects. Feed the line regularly to maintain full cutting width.
Grass wraps around trimmer head and motor housing.	1. Cutting tall grass at ground level	1. Cut tall grass from the top down, removing no more than 8 inches in each pass to prevent wrapping.
Line is not cutting well	1. The line-cutting blade on the edge of the guard has become dull.	1. Sharpen the line-cutting blade with a file or replace it with a new blade.

LIMITED WARRANTY

Briggs & Stratton warrants that, during the warranty period specified below, it will repair or replace, free of charge, any part that is defective in material or workmanship or both. Transportation charges on product submitted for repair or replacement under this warranty must be borne by purchaser. This warranty is effective for and is subject to the time periods and conditions stated below. For warranty service, find the nearest Authorized Service Dealer in our dealer locator map at www.SNAPPER.com. The purchaser must contact the Authorized Service Dealer, and then make the product available to the Authorized Service Dealer for inspection and testing.

There is no other express warranty. Implied warranties, including those of merchantability and fitness for a particular purpose, are limited to the warranty period listed below, or to the extent permitted by law. Liability for incidental or consequential damages are excluded to the extent exclusion is permitted by law. Some states or countries do not allow limitations on how long an implied warranty lasts, and some states or countries do not allow the exclusion or limitation of incidental or consequential damages, so the above limitation and exclusion may not apply to you. This warranty gives you specific legal rights and you may also have other rights which vary from state to state or country to country.**.

WARRANTY PERIOD

	Consumer Use	Commercial Use
Equipment	36 months	none
Battery and Battery Charger	24 months	none

** In Australia - Our goods come with guarantees that cannot be excluded under the Australian Consumer Law. You are entitled to a replacement or refund for a major failure and for compensation for any other reasonably foreseeable loss or damage. You are also entitled to have the goods repaired or replaced if the goods fail to be of acceptable quality and the failure does not amount to a major failure. For warranty service, find the nearest Authorized Service Dealer in our dealer locator map at BRIGGSandSTRATTON.COM, or by calling 1300 274 447, or by emailing or writing to salesenquires@briggsandstratton.com.au, Briggs & Stratton Australia Pty Ltd, 1 Moorebank Avenue, NSW, Australia, 2170.

The warranty period begins on the date of purchase by the first retail or commercial consumer. "Consumer use" means personal residential household use by a retail consumer. "Commercial use" means all other uses, including use for commercial, income producing or rental purposes. Once a product has experienced commercial use, it shall thereafter be considered as a commercial use product for purposes of this warranty.

LIMITED WARRANTY

To ensure prompt and complete warranty coverage, register your product at the website shown above or at www.onlineproductregistration.com.

Save your proof of purchase receipt. If you do not provide proof of the initial purchase date at the time warranty service is requested, the manufacturing date of the product will be used to determine the warranty period. Product registration is not required to obtain warranty service on Briggs & Stratton products.

ABOUT YOUR WARRANTY

Warranty service is available only through Snapper Authorized Service Dealers. This warranty covers only defects in materials or workmanship. It does not cover damage caused by improper use or abuse, improper maintenance or repair, normal wear and tear, or stale or unapproved fuel.

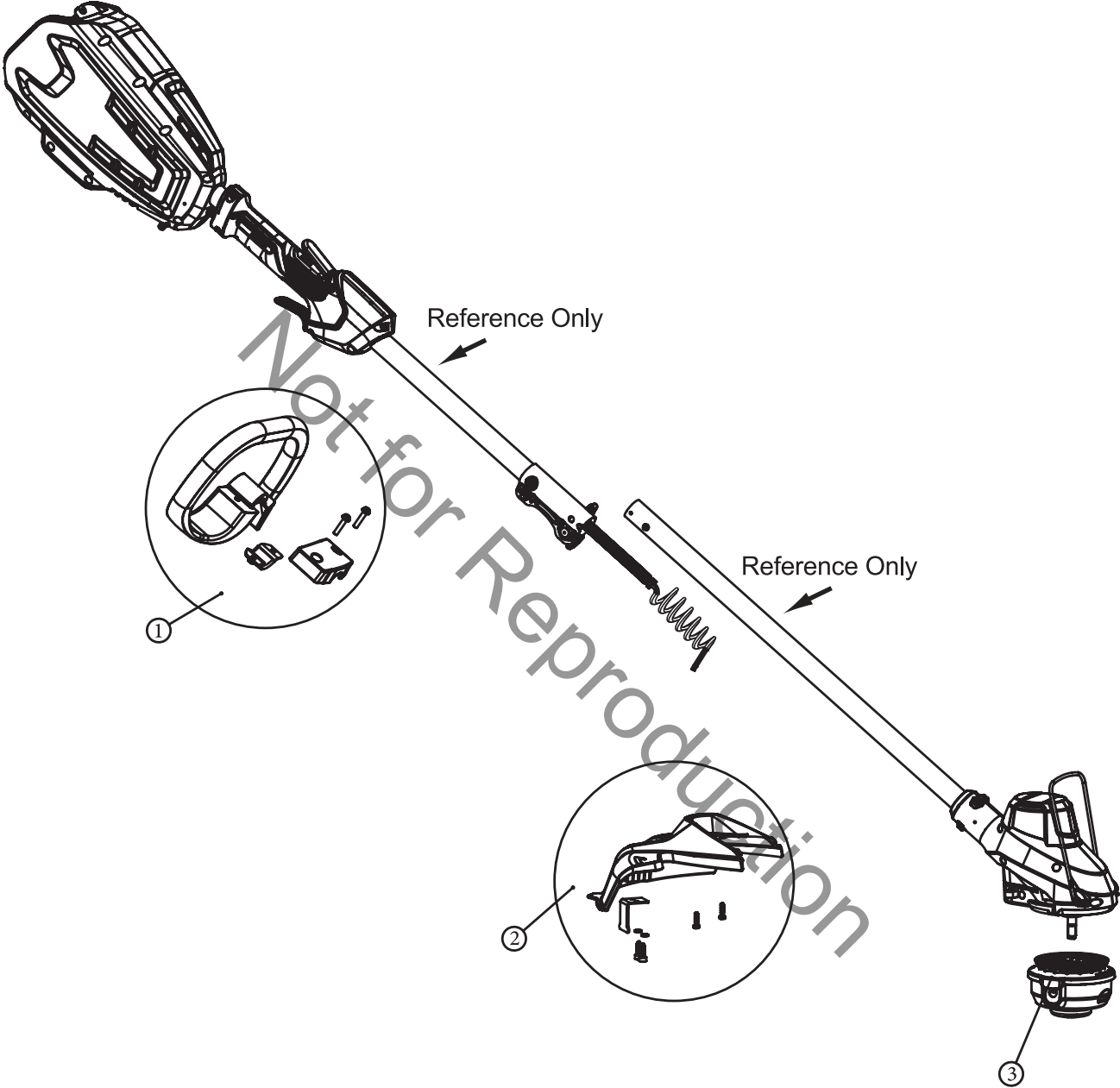
Improper Use and Abuse - The proper, intended use of this product is described in the Operator's Manual. Using the product in a way not described in the Operator's Manual or using the product after it has been damaged will not be covered under this warranty. Warranty coverage will also not be provided if the serial number on the product has been removed or the product has been altered or modified in any way, or if the product has evidence of abuse such as impact damage or water/chemical corrosion damage.

Improper Maintenance or Repair - This product must be maintained according to the procedures and schedules provided in the Operator's Manual, and serviced or repaired using genuine Briggs & Stratton parts or equivalent. Damage caused by lack of maintenance or use of non-original parts is not covered by warranty.

Normal Wear and Tear - Like most mechanical devices, your unit is subject to wear even when properly maintained. This warranty does not cover repairs when normal use has exhausted the life of a part or the equipment. Maintenance and wear items such as filters, belts, cutting blades, and brake pads (except engine brake pads) are not covered by warranty due to wear characteristics alone, unless the cause is due to defects in material or workmanship.

Other Exclusions - This warranty excludes damage due to accident, abuse, modifications, alterations, improper servicing, freezing or chemical deterioration. Attachments or accessories that were not originally packaged with the product are also excluded. There is no warranty coverage on equipment used for primary power in place of utility power or on equipment used in life support applications. This warranty does not include used, reconditioned, second-hand, or demonstration equipment or engines. This warranty also excludes failures due to acts of God and other force majeure events beyond the manufacturer's control.

EXPLODED VIEW



PARTS LIST

Item No.	Part No.	Description	QTY
1	84001696	HANDLE ASSEMBLY	1
2	84001697	GUARD ASSEMBLY	1
3	84001698	TRIMMER HEAD ASSEMBLY	1

Not for Reproduction

Not for Reproduction



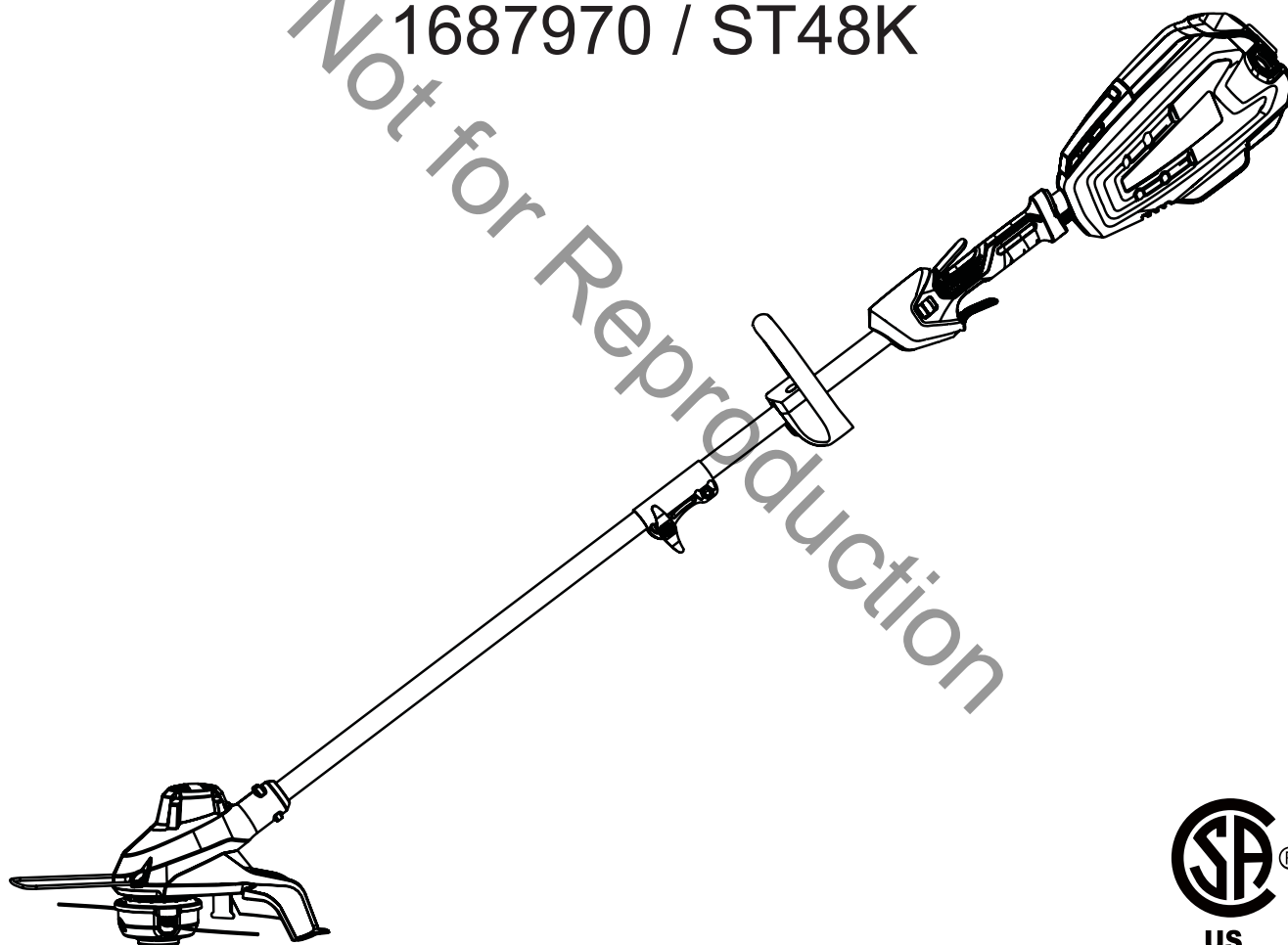
Copyright © Briggs & Stratton Corporation
Milwaukee, WI, 53201-0702. All rights reserved.

TOLL-FREE HELPLINE: 1-800-317-7833

80077949 Rev: 01 (02-05-19)

SNAPPER HD

Coupe-herbe sans fil de 48V
1696956 & 80075680 / ST48
1687970 / ST48K



US
218549

Guide d'utilisation

LIGNE D'ASSISTANCE SANS FRAIS : 1-800-317-7833

www.snapper.com

⚠ Avant d'utiliser le produit, veuillez lire et suivre toutes les consignes de sécurité et les instructions d'utilisation.

MATIÈRES

Matières.....	2
Technique	2
Consignes de sécurité.....	3
Symboles	6
Connaitre votre coupe-herbe.....	8
Assemblage	10
Utilisation	16
Entretien.....	24
Mise au rebut de la batterie sans danger pour l'environnement.....	25
Dépannage.....	26
Garantie limitée.....	28
Vue éclatée.....	31
Liste des pièces.....	32

TECHNIQUE

COUPE-HERBE SANS FIL DE 48 V 13"

Type	Sans fil et alimenté par bloc-batterie
Moteur.....	48V DC
Largeur du fil de coupe	11/13 in. (27.9/33.0 cm)
Diamètre du fil.....	Nylon / .080" (2.0 mm)
Vitesse	6900±10%/6300±10% RPM
Type d'alimentation	Avancement automatique
Poids (sans batterie).....	6.8 lbs (3.1 kg)

*Avis de non-responsabilité : *La tension initiale et maximale de la batterie (mesurée à vide) est de 48 volts. La tension nominale est de 43 V.*

CONSIGNES DE SÉCURITÉ

⚠ A V E R T I S S E M E N T

Veillez lire et assimiler les présentes instructions. Toute négligence à l'égard des instructions fournies ci-après peut être la cause d'un choc électrique, d'un incendie ou d'un grave accident corporel.

- Utilisez uniquement les pièces de remplacement et les accessoires recommandés par le fabricant. L'utilisation de toute autre composant peut entraîner des risques ou endommager le produit.
- Portez toujours des lunettes de sécurité avec des écrans latéraux. Les lunettes ordinaires n'ont que des lentilles résistantes à l'épreuve des chocs. Les lunettes ordinaires **NE SAURAIENT PAS REMPLACER** les lunettes de sécurité. Le respect de cette consigne de sécurité réduira le risqué des blessures oculaires. Utilisez un masque facial si l'utilisation de cet appareil produit de la poussière.
- Évitez les environnements dangereux - N'exposez pas les outils électriques à des conditions d'humidité. La pénétration d'eau dans un outil électrique augmente les risques d'électrocution.
- Ne pas utiliser sous la pluie.
- Gardez les spectateurs, les enfants et les animaux domestiques à au moins 15 mètres (50 pieds) de l'endroit de travail.
- Utilisez uniquement l'outil pour la fonction pour laquelle il a été conçu.
- Évitez les démarrages accidentels. Ne transportez pas le coupe-herbe branché avec votre doigt sur l'interrupteur. Assurez-vous que l'interrupteur est en position OFF (arrêt) avant de brancher le cordon d'alimentation.
- N'utilisez pas cet outil pieds nus ou lorsque vous portez des sandales ou des chaussures légères. Portez des chaussures protectrices qui protègent vos pieds et vous permettent d'avoir une meilleure prise sur les surfaces glissantes.
- Évitez tout état de déséquilibre. Tenez vous de façon à être stable sur vos pieds en tout temps.
- Soyez prudent - gardez les yeux sur ce que vous faites et faites preuve de bon sens. N'utilisez pas l'outil si vous êtes fatigué, sous l'influence de drogues, d'alcool ou de médicaments.
- Rangez les outils que vous n'utilisez pas à l'intérieur - Lorsque vous ne l'utilisez pas, rangez l'outil à l'intérieur, dans un endroit sec et hors de la portée des enfants.
- Entretien des outils électriques - Remplacez la tête de coupe si le fil est fissuré, ébréché ou endommagé. Vérifiez que la tête de coupe est correctement installée et fixée. Maintenez les lames aiguisées afin de garantir votre sécurité ainsi que des performances optimales. Suivez les instructions de lubrification et de changement d'accessoires. Vérifiez régulièrement l'état du cordon de l'outil, faites réparer celui-ci par un centre de réparation agréé. Vérifiez régulièrement l'état de la rallonge utilisée, remplacez celle-ci si elle s'avère endommagée. Maintenez les

CONSIGNES DE SÉCURITÉ

poignées sèches, propres, sans huile ni graisse. Ne pas respecter cette recommandation peut causer de graves blessures.

- Vérifiez la présence de pièces endommagées. Avant d'utiliser l'outil à nouveau, tout protecteur ou pièce endommagée doit être vérifiée afin d'assurer qu'elle accomplira correctement sa fonction. Vérifiez l'alignement ou le coincement des pièces mobiles, les composantes brisées, le montage ou toute autre condition qui pourrait affecter le bon fonctionnement de l'outil. Un garde protecteur ou toute pièce qui est endommagée doit être réparée adéquatement ou remplacée par un centre de service autorisé, à moins d'indication contraire dans le présent guide.
- Ne chargez pas cet outil à batterie sous la pluie ou dans les endroits humides ou mouillés. Le respect de cette règle de sécurité réduira le risque de choc électrique.
- Enlevez ou déconnectez la batterie avant l'entretien, le nettoyage ainsi que l'enlèvement des débris des appareils de jardinage.
- Ne jetez pas les batteries au feu. Elle peut exploser. Vérifiez les directives locales pour savoir si elles comportent des instructions particulières concernant la mise au rebut des batteries.
- N'ouvrez pas ni mutilez les batteries. L'électrolyte qui s'en dégagerait est corrosive et elle pourrait blesser les yeux ou la peau. En outre, ce produit est toxique lorsqu'ingéré.
- Maniez les batteries avec soin afin de ne pas les court-circuiter avec des matériaux conducteurs tels que des bagues, des bracelets et des clés. La batterie ou le conducteur peuvent être surchauffés et causer des brûlures.
- Portez des vêtements appropriés. Ne portez pas de vêtements amples, de gants, de cravate ni de bijoux (bracelets, montre, etc.) qui risqueraient de se prendre dans les pièces mobiles.
- N'appliquez aucune force inutile sur l'outil - L'outil électrique approprié effectuera le travail de manière plus efficace et plus sûre, utilisé au rythme pour lequel il est conçu.
- N'utilisez que le chargeur préconisé par le fabricant. L'utilisation d'un chargeur prévu pour un type de batterie avec un autre type de batterie peut entraîner un risque d'incendie.
- Utilisez uniquement des piles Briggs & Stratton: BSB2AH48 or BSB5AH48.
- Utilisez uniquement le chargeur Briggs & Stratton: BS2AC48.
- Lorsque la batterie n'est pas utilisée, éloignez-la des autres objets métalliques tels que trombones, pièces de monnaie, clés, clous, vis, ou autres petits objets susceptibles de court-circuiter les bornes de la batterie. La mise en court-circuit des bornes de la batterie peut causer des brûlures et entraîner un incendie.
- Sous des conditions abusives, du liquide peut être éjecté de la batterie, évitez d'entrer en contact avec ce liquide. En cas de contact accidentel, lavez à grande eau. Si du liquide entre en contact avec les yeux, consultez immédiatement un médecin. Le liquide éjecté de la batterie peut causer des irritations ou des brûlures.

CONSIGNES DE SÉCURITÉ

- N'utilisez pas la batterie lorsque celle-ci est endommagée ou modifiée. Les batteries modifiées ou endommagées peuvent présenter un comportement imprévisible et causer un incendie, une explosion ou des blessures corporelles.
- N'exposez pas la batterie ou un outil électrique à des sources de flammes ou une température excessive. Exposer l'appareil à un incendie ou une température supérieure à 265 °F (130 °C) peut entraîner des explosions.
- Siga las instrucciones de carga y evite cargar la batería o el aparato a una temperatura que esté fuera del margen especificado en las instrucciones. Una carga inapropiada a una temperatura fuera del margen especificado puede dañar la batería y aumentar el riesgo de incendios.
- El aparato debe ser reparado por una persona cualificada utilizando solo piezas de repuesto idénticas para garantizar la seguridad de uso del producto.
- Évitez les démarrages accidentels. Ne transportez pas le coupe-herbe sous tension avec votre doigt sur l'interrupteur. Assurez-vous que l'interrupteur est en position OFF (arrêt) avant de connecter la batterie.
- Retirez ou déconnectez la batterie avant l'entretien, le nettoyage ainsi qu'avant de retirer des débris.
- Utilice los aparatos únicamente con las baterías designadas específicamente para estos. La utilización de otro tipo de baterías podría dar lugar a lesiones e incendios.
- Ne modifiez pas et n'essayez pas de réparer l'appareil ou la batterie sauf comme indiqué dans les instructions d'utilisation et d'entretien.

▲ A V E R T I S S E M E N T (PROPOSITION 65)

Certaines poussières que produisent le ponçage, sciage, meulage et forage électriques ainsi que les autres activités de construction contiennent des substances chimiques qui sont des cancérogènes connus susceptibles de causer des anomalies congénitales ou d'autres préjudices à la reproduction. Quelques exemples en sont:








- Plomb des peintures à base de plomb
- Silice cristalline des briques et du ciment ou d'autres produits de maçonnerie, et
- Arsenic et chrome du bois traité chimiquement.

Le niveau de risque résultant de votre exposition à ces produits varie selon la fréquence à laquelle vous effectuez ce type de travail. Pour réduire votre exposition à ces produits chimiques travaillez dans un endroit bien aéré et utilisez des équipements de sécurité approuvés tels que les masques anti-poussière conçus particulièrement pour le filtrage des particules microscopiques.

CONSERVEZ CES INSTRUCTIONS




SYMBOLES

Certains des symboles suivants peuvent figurer sur votre outil. Veuillez les étudier et en apprendre la signification. En interprétant correctement ces symboles, vous serez en mesure de faire fonctionner l'outil de façon plus efficace et plus sûre.

SYMBOLES	NOM	DÉSIGNATION/EXPLICATION
V	Volts	Tension
min	Minutes	Temps
— — —	Courant continu	Type ou caractéristique du courant
	Aucune lame	N'installer ou utiliser aucun type de lame sur les produits affichant ce symbole.
	Alerte d'humidité	Ne pas exposer à la pluie ou utiliser dans les endroits humides.
	Lire le manuel d'utilisation	Pour réduire le risque de blessures, l'utilisateur doit lire et bien comprendre le mode d'emploi de ce produit avant de l'utiliser.
	Protection oculaire	Porter toujours des lunettes protectrices conformes à la norme ANSI Z87.1.
	Symbole d'alerte	Précautions destinées à votre sécurité.
	Ricochet	Des objets jetés peuvent ricocher et résulter en blessures ou dommage matériel.
	Garder les spectateurs à l'écart	Garder tout spectateur à une distance d'au moins 50 pieds (15 mètres).

SYMBOLES

Les symboles suivants et leur signification servent à expliquer les niveaux des risques liés à ce produit.

SYMBOLE	SIGNAL	SIGNIFICATION
	DANGER	Indicates an imminently hazardous situation, which, if not avoided, will result in death or serious injury.
	AVERTISSEMENT	Indique une situation potentiellement dangereuses, qui si elle n'est pas évitée, peut entraîner des conséquences mortelles ou des blessures graves.
	ATTENTION	Indique une situation potentiellement dangereuse, si elle n'est pas évitée, peut résulter en blessures légères ou de gravité modérée.
	ATTENTION	(Sans symbole d'alerte de sécurité) Indique une situation pouvant entraîner des dommages matériels.

ENTRETIEN

L'entretien exige un soin minutieux et une bonne connaissance du produit et ne doit être effectué que par un spécialiste d'entretien qualifié. À cette fin nous vous recommandons de retourner le produit au **CENTRE D'ENTRETIEN AGRÉÉ** le plus proche. Lors de l'entretien du produit, utilisez uniquement des pièces de recharge identiques.

AVERTISSEMENT

Pour éviter toute blessure grave ne tentez pas d'utiliser ce produit avant de lire le Manuel d'Utilisation et le comprendre complètement. Si vous ne comprenez pas les avertissements ou les instructions de ce Manuel d'Utilisation, n'utilisez pas ce produit. Veuillez appeler le service clientèle (1-800-317-7833) pour assistance.

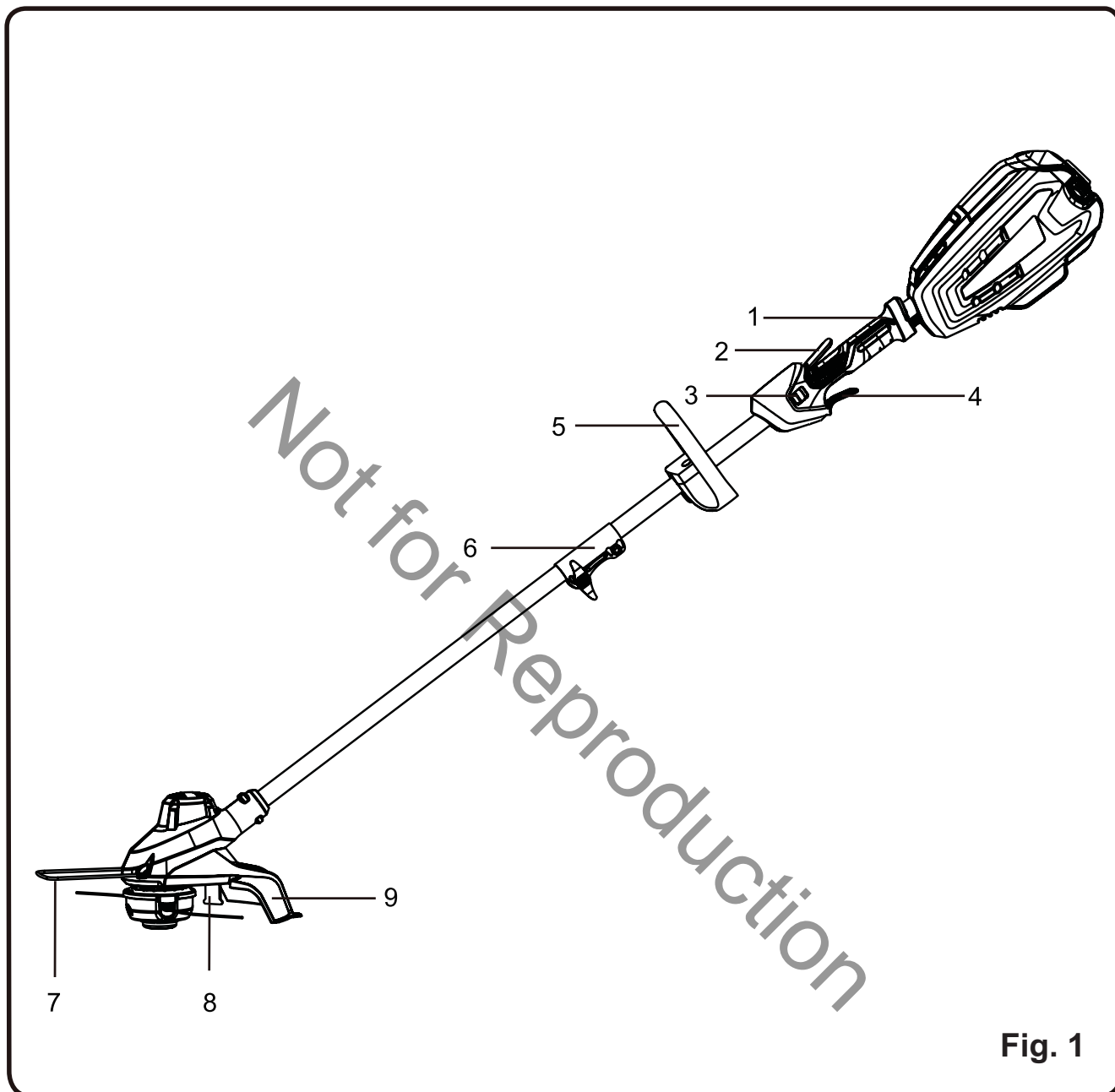
AVERTISSEMENT



Lors de l'utilisation de tout outil électrique d'autres objets pourraient pénétrer dans vos yeux et produire des dommages oculaires graves. Avant d'utiliser un outillage électrique portez toujours des lunettes de protection ou de sécurité avec des écrans latéraux, et si nécessaire, un masque facial complet. Nous recommandons d'utiliser le Wide Vision Safety Mask au-dessus de vos lunettes de protection ou des lunettes de sécurité ordinaires avec des écrans latéraux. Utilisez toujours une protection oculaire conforme à la norme ANSI Z87.1.

CONSERVEZ CES INSTRUCTIONS

CONNAITRE VOTRE COUPE-HERBE



CONNAITRE VOTRE COUPE-HERBE

CONNAITRE VOTRE COUPE-HERBE (Voir Illustration 1.)

L'utilisation sûre de ce produit exige une compréhension des renseignements figurant sur l'outil et contenus dans ce manuel d'utilisation, ainsi qu'une bonne connaissance du projet que vous entreprenez. Avant d'utiliser ce produit, familiarisez-vous avec toutes ses caractéristiques et les règles de sécurité.

1. POIGNÉE ARRIÈRE

La poignée ergonomique enveloppante permet un confort et une prise supplémentaires.

2. BOUTON DE DÉVERROUILLAGE

Le bouton de sécurité permet de prévenir tout démarrage accidentel.

3. BOUTON DE VITESSE ÉLEVÉE/FAIBLE

Le coupe-herbe est doté d'un sélecteur de vitesse qui permet à l'opérateur de sélectionner soit la grande vitesse ou la basse vitesse.

4. GÂCHETTE

Permet de mettre en marche/arrêter le coupe-herbe.

5. POIGNÉE AUXILIAIRE

Pour davantage de contrôle et de simplicité d'utilisation, le coupe-herbe est équipée d'une poignée auxiliaire.

6. COUPLEUR

Le coupleur permet de connecter et de verrouiller ensemble les deux tiges.

7. GUIDE DU COUPE-HERBE

Permet de couper l'herbe autour d'un banc de fleurs sans les endommager.

8. LAME DE COUPE

La lame en acier réglable sur le carter maintient le fil de coupe à la longueur de coupe appropriée.

9. DÉFLECTEUR D'HERBE

Le coupe-herbe est muni d'un déflecteur d'herbe qui permet de vous protéger contre les débris.

ASSEMBLAGE

DÉBALLAGE

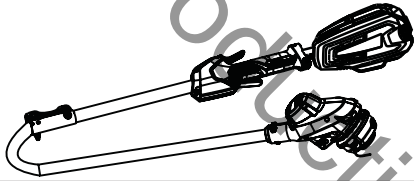
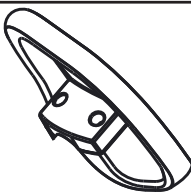
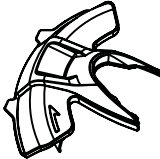


Ce produit exige un assemblage.

- Sortez le produit et les accessoires soigneusement de la boîte. Assurez-vous que toutes les pièces figurant sur la liste de contrôle sont incluses.
- Examinez soigneusement le produit pour s'assurer que rien n'a été brisé ou endommagé en cours de transport.
- Ne jetez pas les matériaux d'emballage avant d'avoir soigneusement examiné le produit et avoir vérifié qu'il fonctionne à votre satisfaction.
- Si des pièces manquent ou sont endommagées, appeler le 1-800-317-7833.

⚠ A V E R T I S S E M E N T

N'utilisez pas ce produit si vous remarquez qu'une pièce figurant sur la liste de contrôle est déjà assemblée après avoir déballé le produit. Aucune pièce de cette liste n'est assemblée par le fabricant et exige une installation de la part de l'utilisateur. L'usage d'un produit assemblé incorrectement peut résulter en de blessures graves.

LISTE DE CONTRÔLE D'EXPÉDITION

Nom des pièces	Figure	Qté
Coupe-herbe		1
Poignée auxiliaire		1
Déflecteur d'herbe		1
Guide Du Coupe-Herbe		1
Manuel d'utilisation		1

ASSEMBLAGE

⚠ A V E R T I S S E M E N T

Si des pièces manquent ou sont endommagées, ne pas utiliser ce produit avant qu'elles aient été remplacées. L'usage de ce produit avec des pièces endommagées ou manquantes peut résulter en de blessures graves.

⚠ A V E R T I S S E M E N T

Ne tentez pas de modifier ce produit ou de créer des accessoires non recommandés pour ce produit. De telles altérations ou modifications sont considérées comme un usage abusif et peuvent créer des conditions dangereuses, risquant d'entraîner des blessures graves.

⚠ A V E R T I S S E M E N T

Ne branchez pas sur la source d'alimentation avant d'avoir terminé l'assemblage. Le non-respect de cet avertissement peut causer un démarrage accidentel, entraînant des blessures graves.

INSTALLATION DU GUIDE COUPE-BORDURES (Voir Illustration 2.1-2.2)

Le guide-bordure peut limiter la zone de coupe du coupe-herbe et réduire ainsi les risques de dommages causés par le fil rotatif.

1. Pour utiliser le guide-bordures, appuyez sur le guide-bordures situé sur la tête de coupe.

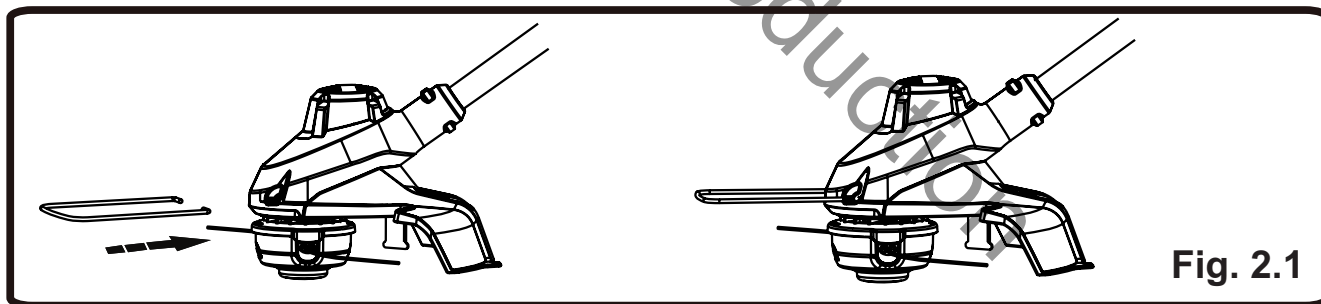


Fig. 2.1

2. Le guide latéral peut être basculé pour le stockage.

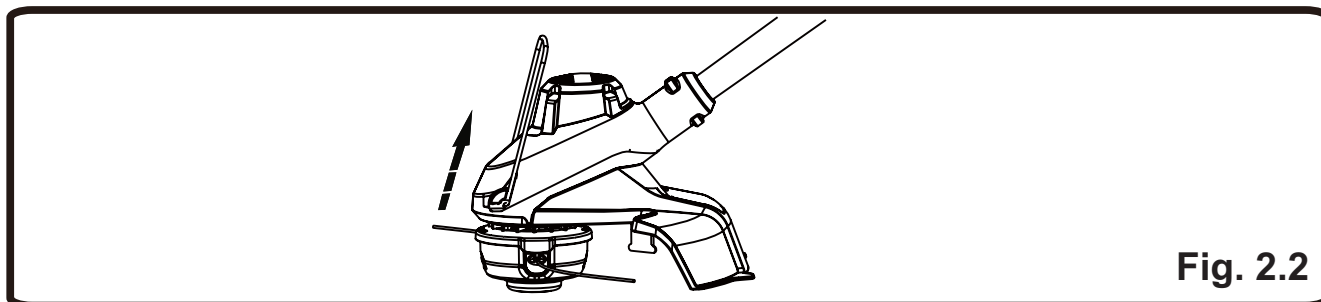


Fig. 2.2

ASSEMBLAGE

INSTALLER LE DÉFLECTEUR D'HERBE (Voir Illustration 3.1 - 3.3)

REMARQUE: Installez le déflecteur d'herbe avant que l'accessoire ne soit raccordé au bloc moteur.

1. Retournez le coupe-herbe pour avoir accès à la tête du coupe-herbe.
2. Retirez les vis fournies (1) du déflecteur en utilisant un tournevis cruciforme (non fourni).

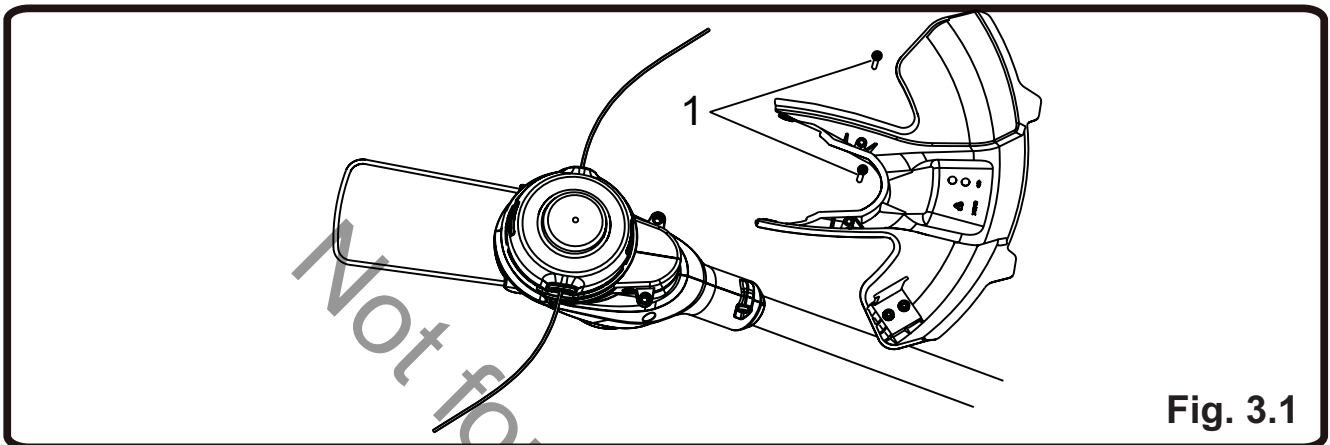


Fig. 3.1

3. Installez le déflecteur (1) sur la tête de coupe.
4. Alignez les trous de la vis sur le déflecteur (2) avec ceux de la tête de coupe (3).

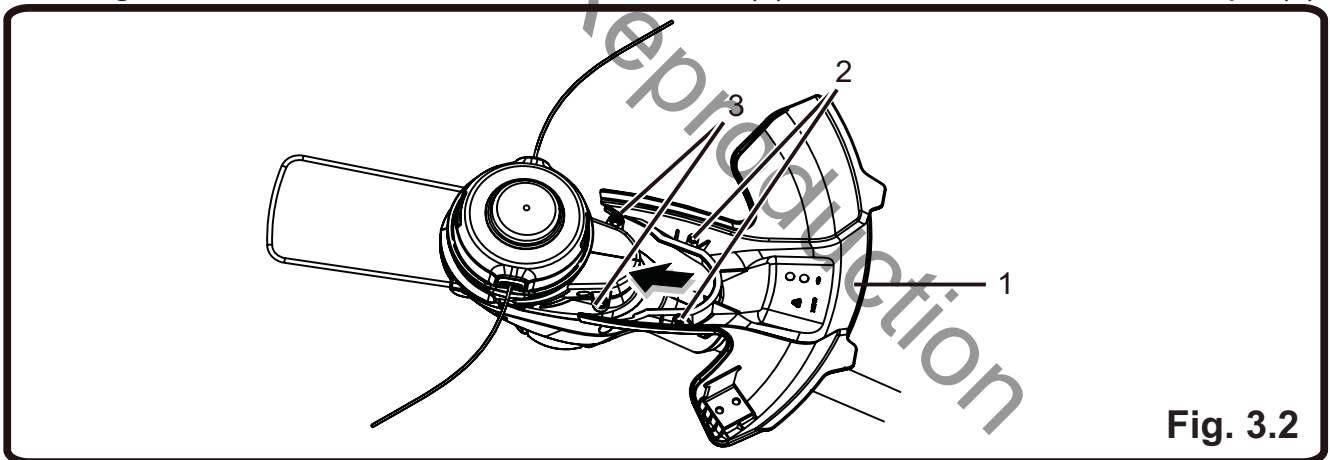


Fig. 3.2

5. Insérez les vis dans la tête de coupe, en serrant le déflecteur avec un tournevis cruciforme (non fourni).

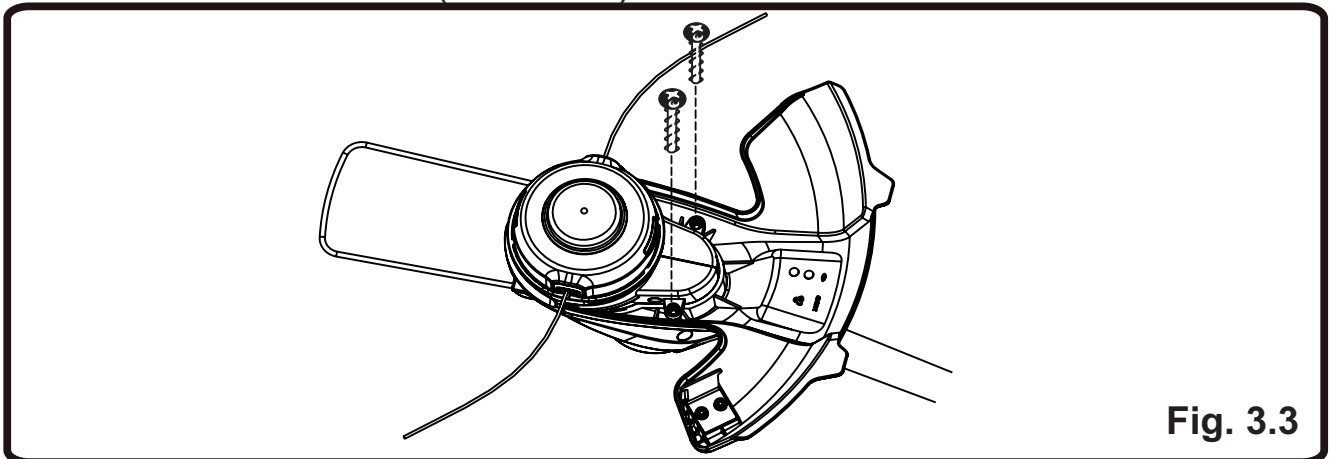


Fig. 3.3

ASSEMBLAGE

INSTALLATION DE LA TIGE SUPÉRIEURE ET DE LA TIGE INFÉRIEURE

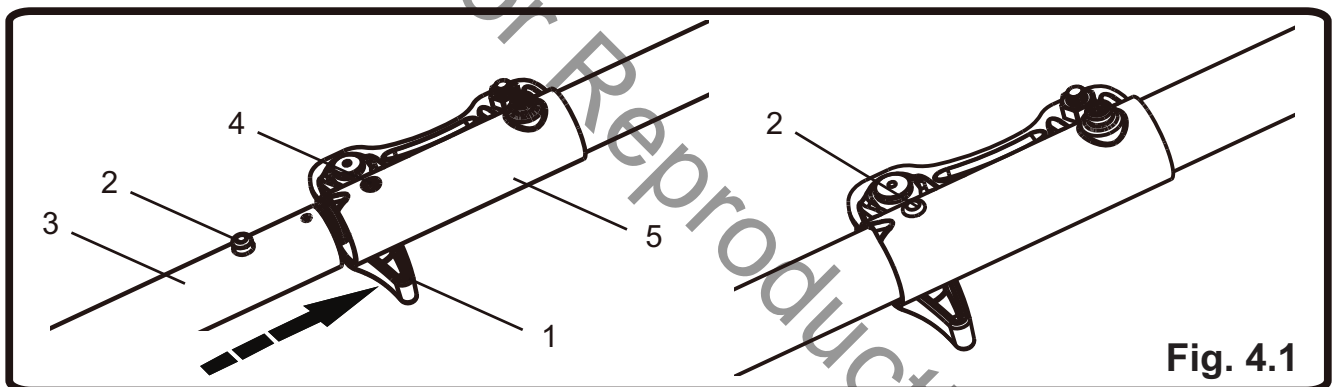
(Voir Illustration 4.1 - 4.2)

⚠ AVERTISSEMENT

Veillez à ne jamais installer, retirer ou régler un accessoire lorsque la débroussailleuse est en marche. Ne pas préalablement arrêter le moteur peut causer de graves blessures.

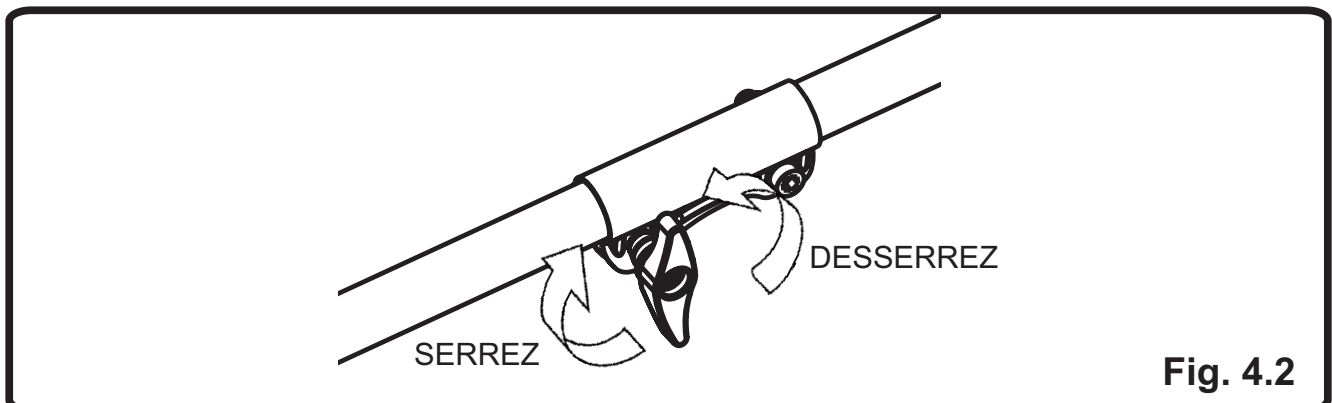
L'accessoire se fixe à la tête de coupe au moyen d'un adaptateur.

1. Installez l'unité sur une surface plane.
2. Desserrez le bouton (1) du coupleur (5).
3. Appuyez sur le bouton de déverrouillage (2) situé sur l'axe de l'accessoire (3). Alignez le bouton de déverrouillage avec l'orifice de positionnement (4) puis assemblez les deux axes. Tournez l'axe de l'accessoire jusqu'à ce que le bouton se verrouille dans l'orifice correspondant.



REMARQUE : Si le bouton ne s'enclenche pas complètement dans le trou de positionnement, les arbres ne sont pas bien verrouillés. Tournez-les légèrement dans deux sens jusqu'à ce que le bouton s'enclenche complètement.

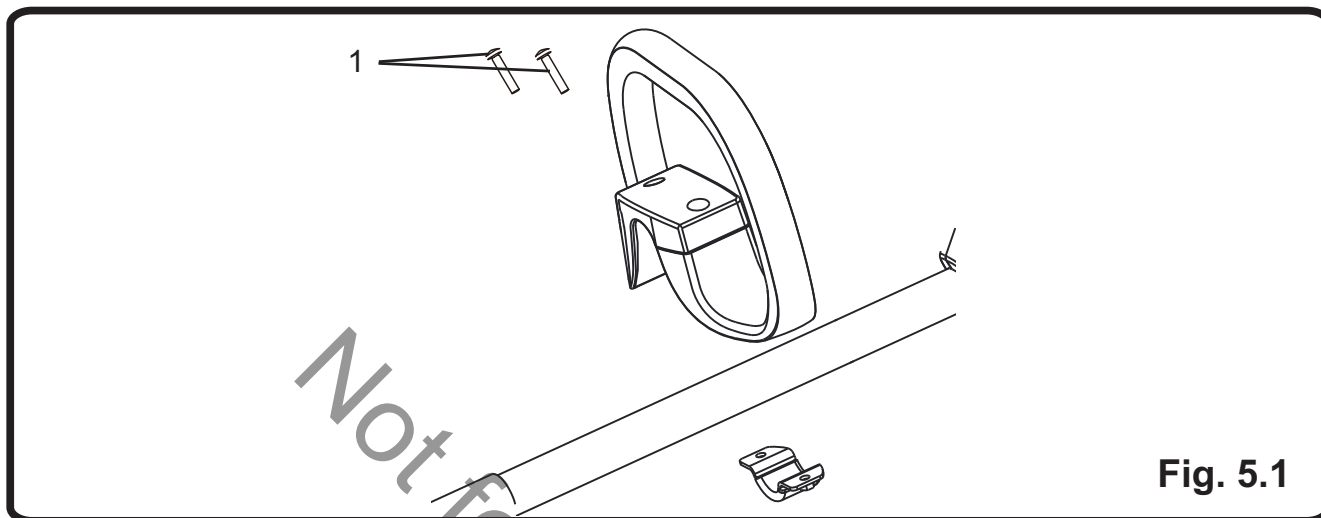
4. Serrez le bouton fermement.



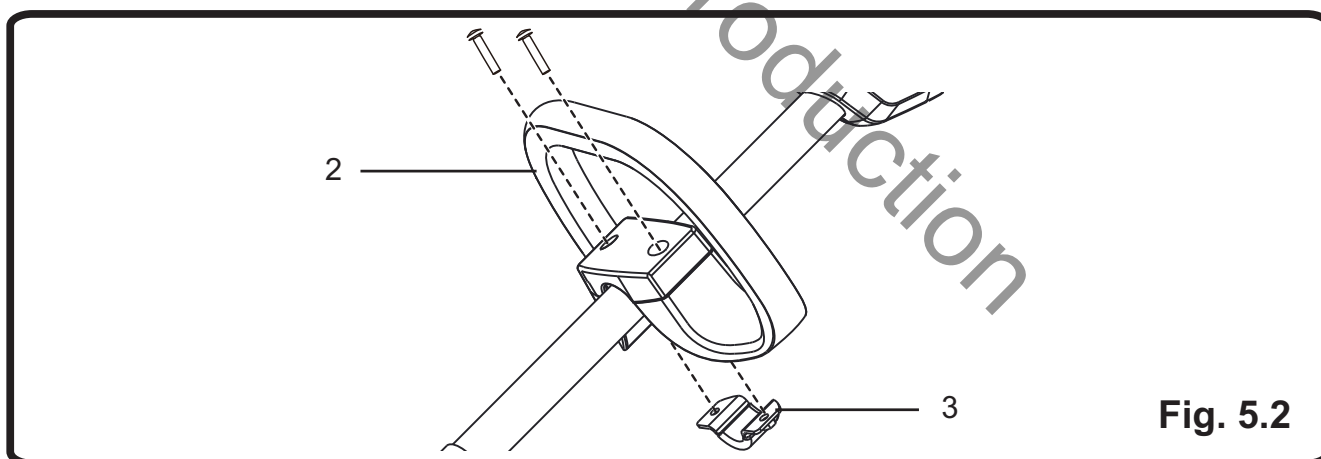
ASSEMBLAGE

INSTALLER LA POIGNÉE AVANT (Voir Illustration 5.1 - 5.2)

1. Dévissez les deux vis (1) de la poignée à l'aide d'un tournevis cruciforme (non fourni) puis retirez les vis de la poignée.



2. Fixez la poignée auxiliaire (2) et la fixation inférieure (3) de la tige.
3. Ajustez la hauteur de la poignée, si nécessaire, à la position de votre choix.



4. Serrez les deux vis de manière à ce que la poignée ne puisse bouger sur le manche.

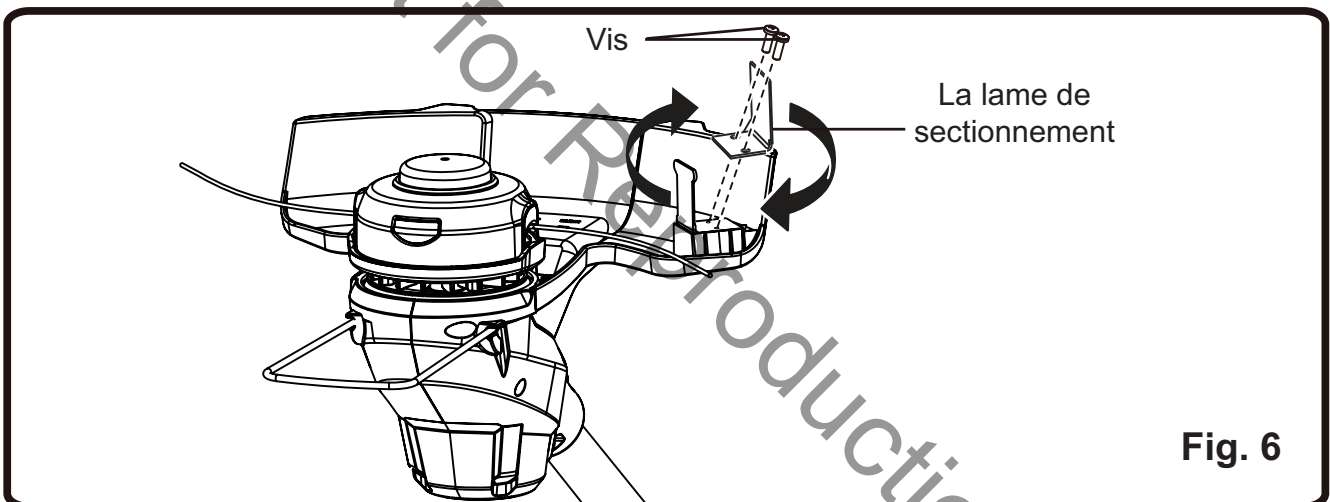
ASSEMBLAGE

AJUSTER LA LARGEUR DE COUPE (Voir Illustration 6.)

Ce coupe-herbe est équipée d'une lame coupe-ligne montée sur le déflecteur. Pour obtenir une coupe optimale, faire progresser le fil jusqu'à ce qu'il soit coupé à la longueur correcte par la lame coupe-ligne. Le fil doit être avancé chaque fois que le moteur tourne à une vitesse supérieure à la normale ou lorsque la coupe devient moins efficace. Ceci permet de maintenir une efficacité maximum et de maintenir une longueur de fil suffisante pour avancer correctement.

Le coupe-herbe est actuellement réglé à une largeur de coupe de 27,9 cm. Pour ajuster la largeur de coupe à 33 cm:

1. Retirer la batterie.
2. Retirez les deux vis de la lame. Faites pivoter la lame de sectionnement de 180°.
3. Serrer la vis.



UTILISATION

⚠ A V E R T I S S E M E N T

Ne laissez pas la familiarité avec le produit vous faire oublier la prudence. N'oubliez pas qu'une fraction de seconde d'inattention peut entraîner des blessures graves.

⚠ A V E R T I S S E M E N T

N'utilisez pas des accessoires non recommandés par le fabricant sur ce produit. L'usage des accessoires non recommandés pourrait résulter en blessures graves.

⚠ A V E R T I S S E M E N T

Ce coupe-herbe n'est pas prévu à utiliser avec les accessoires de débroussailleur. L'emploi de l'accessoire de débroussailleur pourrait provoquer des blessures graves ou des dommages matériels.

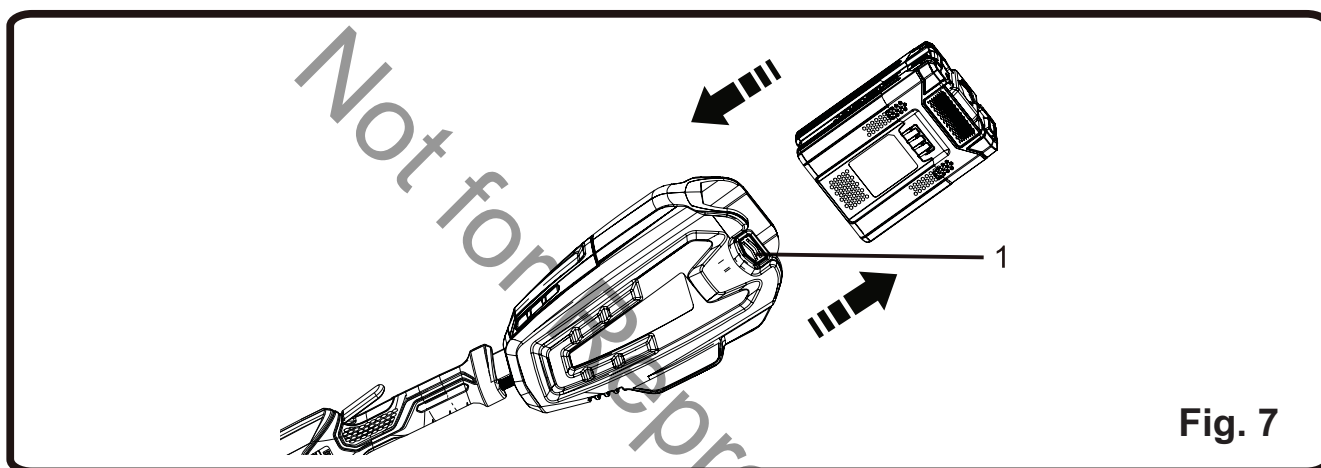
UTILISATION

INSTALLATION DE LA BATTERIE (Voir Illustration 7.)

- Alignez les languettes du pack batterie avec les rainures du logement batterie de la tondeuse.
- Assurez-vous que les loquets à la base du pack batterie se verrouillent bien et que le pack est bien en place dans la tondeuse avant de commencer le travail.

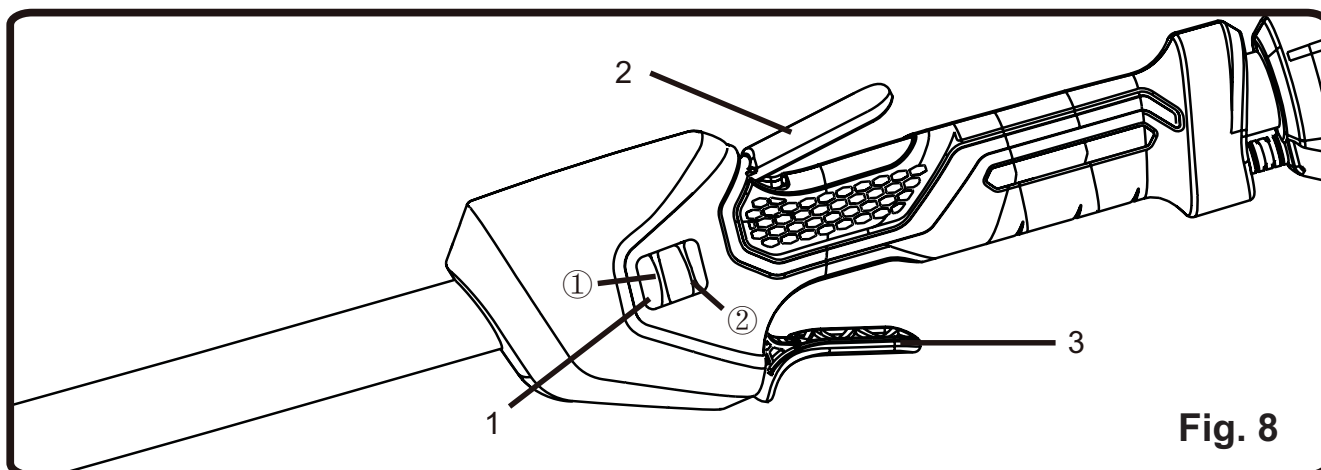
RETIRER LA BATTERIE (Voir Illustration 7.)

- Appuyez sur le bouton de déverrouillage de la batterie (1) situé à l'arrière de la batterie puis sortez la batterie de l'outil.



DÉMARRER ET ARRÊTER LA TÊTE DE COUPE ÉLECTRIQUE (Voir Illustration 8.)

- Faites glisser le commutateur de vitesse (1) sur la vitesse désirée. Faites glisser le commutateur de vitesse sur la position 1 pour une vitesse faible ou sur la position 2 pour une vitesse élevée.
- Appuyez sur le levier de déverrouillage (2). Appuyez sur la gâchette (3) pour démarrer l'outil.
- Relâchez la gâchette pour arrêter l'outil.



UTILISATION

L'UTILISATION DU COUPE-HERBE (Voir Illustration 9.)

⚠ A V E R T I S S E M E N T

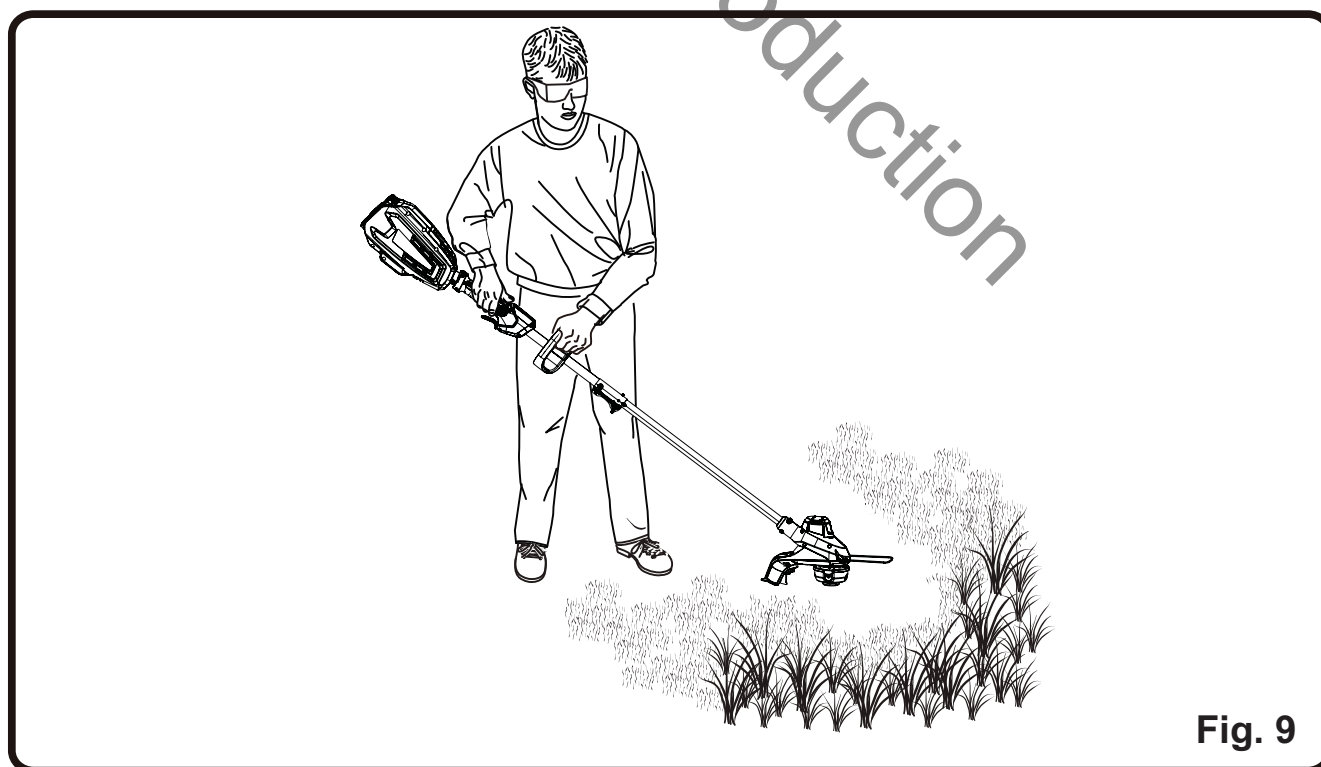
Toujours tenir le coupe-herbe à distance de soi en maintenant un périmètre de sécurité entre le corps et le coupe-herbe. Tout contact avec la tête de coupe du coupe-herbe en cours d'utilisation peut causer des blessures graves.

Suivre ces conseils lors de l'utilisation du coupe-herbe :

- Tenir le coupe-herbe avec la main droite sur la poignée arrière et la main gauche sur la poignée avant.
- Garder une prise ferme sur les deux poignées pendant le fonctionnement.
- Maintenir le coupe-herbe dans une position confortable, la poignée arrière à peu près à la hauteur de la taille.
- Couper les herbes hautes de haut en bas. Ceci empêchera l'herbe de s'enrouler sur le perche et la tête de coupe, ce qui pourrait causer des dommages dus à une surchauffe.

Si l'herbe s'enroule autour de la tête de coupe :

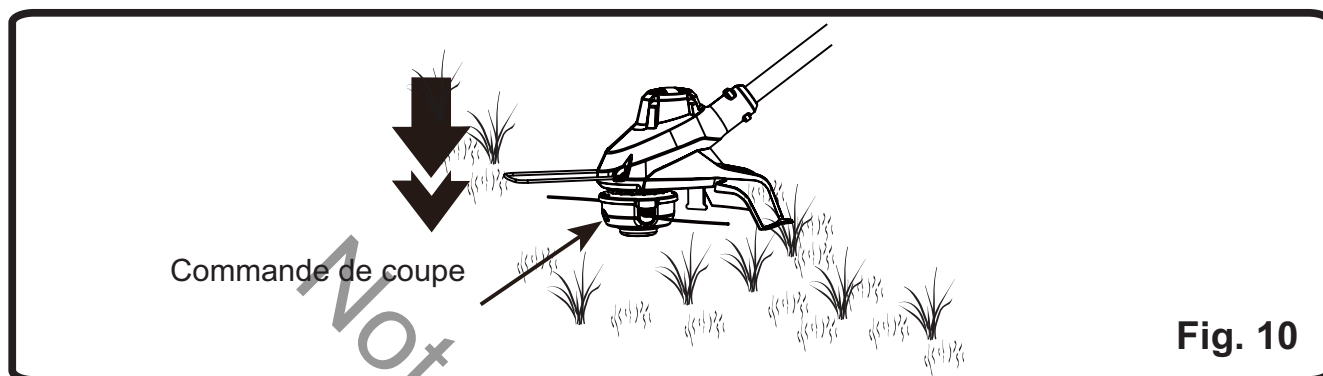
- Retirer la batterie.
- Retirer l'herbe.



UTILISATION

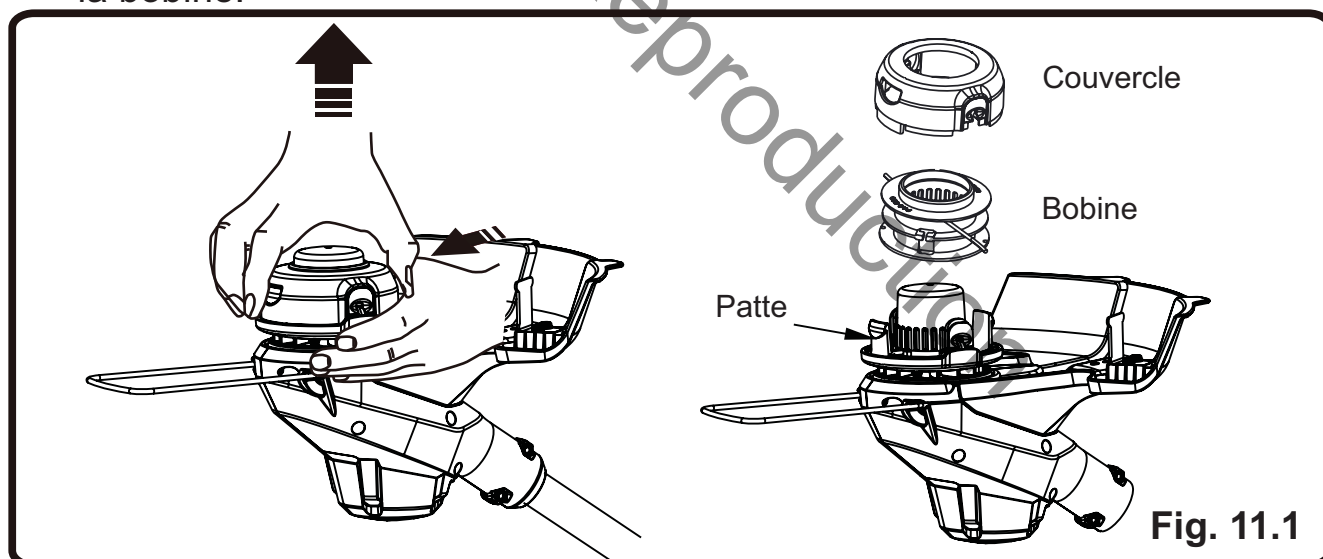
AVANCE DE LIGNE DE COUPE (Voir Illustration 10.)

En cours de fonctionnement de l'outil, le fil de coupe s'use et se raccourcit. Ce coupe-herbe est équipée d'un dispositif d'avancement par coup de la longueur du fil qui règle par coup au sol la longueur du fil lorsque celui-ci se raccourcit. La lame de coupe permet de couper l'excès de fil afin de maintenir une largeur de coupe homogène.



REPLACEMENT DE LA BOBINE (Voir Illustration 11.1 - 11.7)

1. Retirer la batterie.
2. Appuyez le pattes du côté de la tête de coupe et enlevez le couvercle et la bobine.



3. Retirez tout fil restant.
4. Nettoyez la saleté et les débris de toutes les pièces. Remplacez la bobine si celle-ci est déformée ou endommagée.
5. Remplacez-la par une bobine pré-enroulée ou remplacez le fil par un fil de 15 pieds (4.6 mètres) de 0,080 pouce (2,0 mm) de diamètre.

⚠ AVERTISSEMENT

N'utilisez jamais un fil, une corde, une ficelle, etc., ceux-ci peuvent se briser et devenir un projectile dangereux.

UTILISATION

6. Lors de l'installation d'un nouveau fil sur une bobine existante, tenez la bobine comme illustré.
7. Pliez le fil en deux et insérez le pli dans l'emplacement situé sur le rebord central de la bobine. Assurez-vous que le fil soit enclenché dans son emplacement.

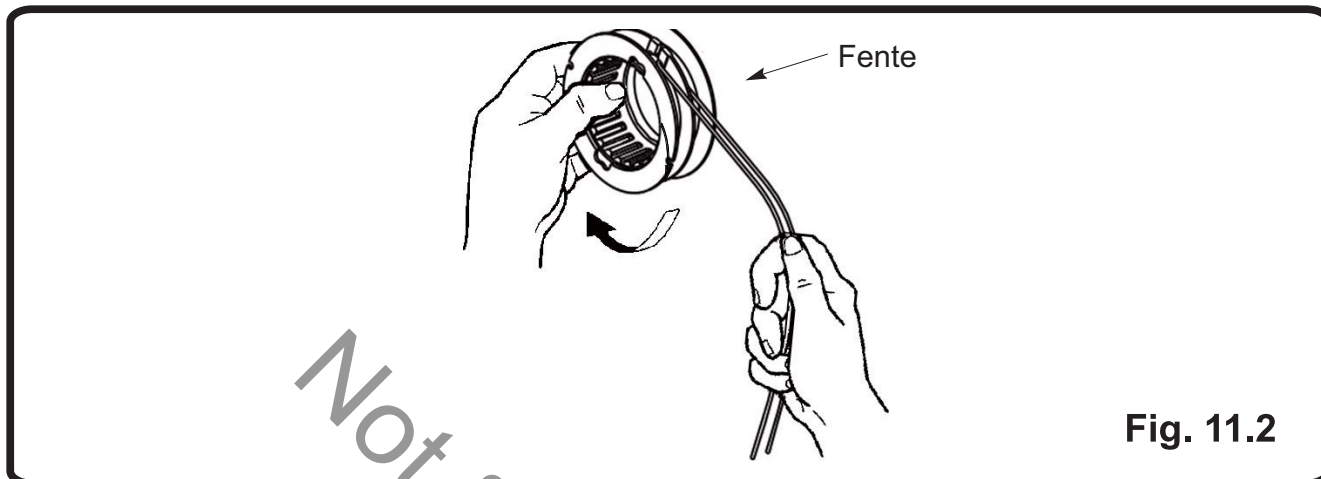


Fig. 11.2

8. En plaçant votre doigt entre les fils, enrroulez fermement les fils de manière uniforme autour de la bobine et dans le sens des aiguilles d'une montre.

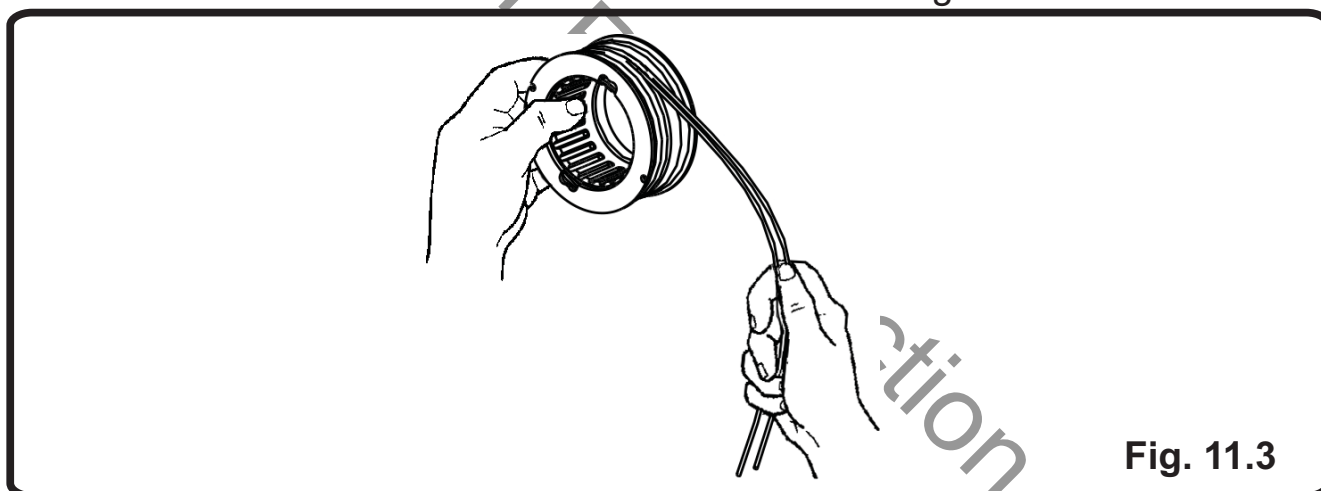


Fig. 11.3

9. Positionnez les fils dans les emplacements du guide.

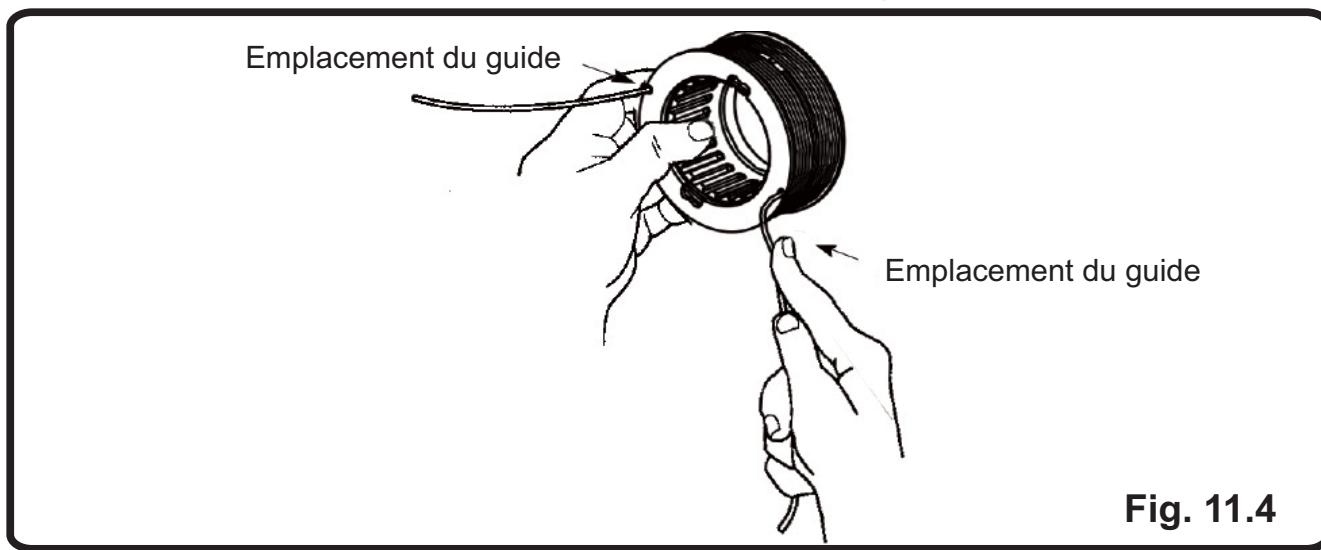
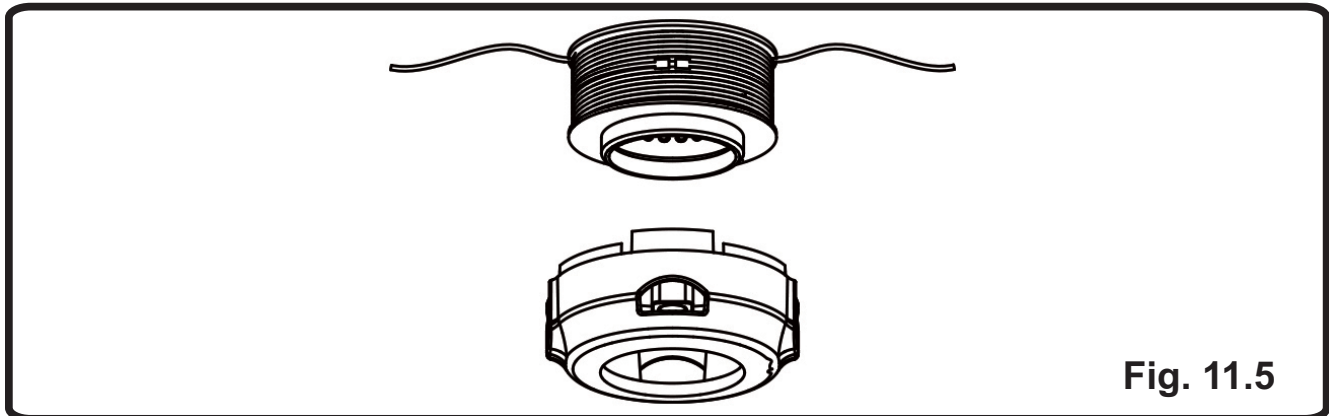


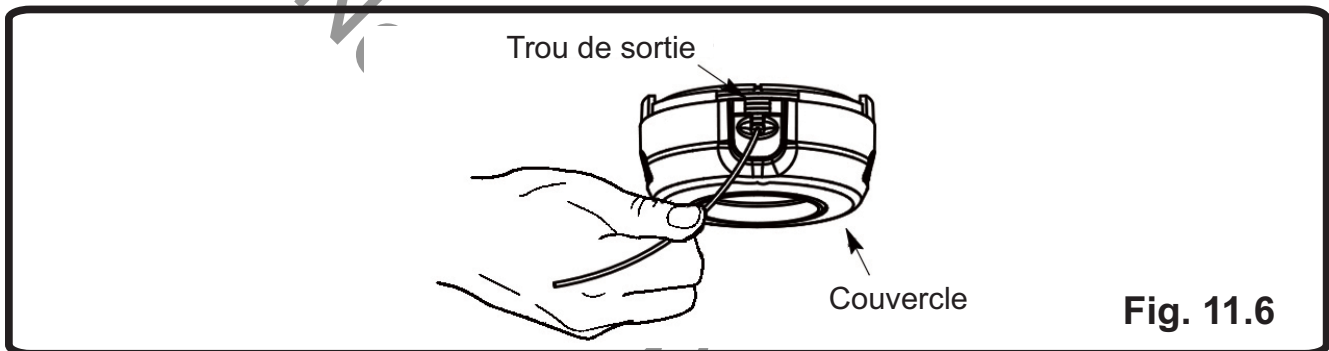
Fig. 11.4

UTILISATION

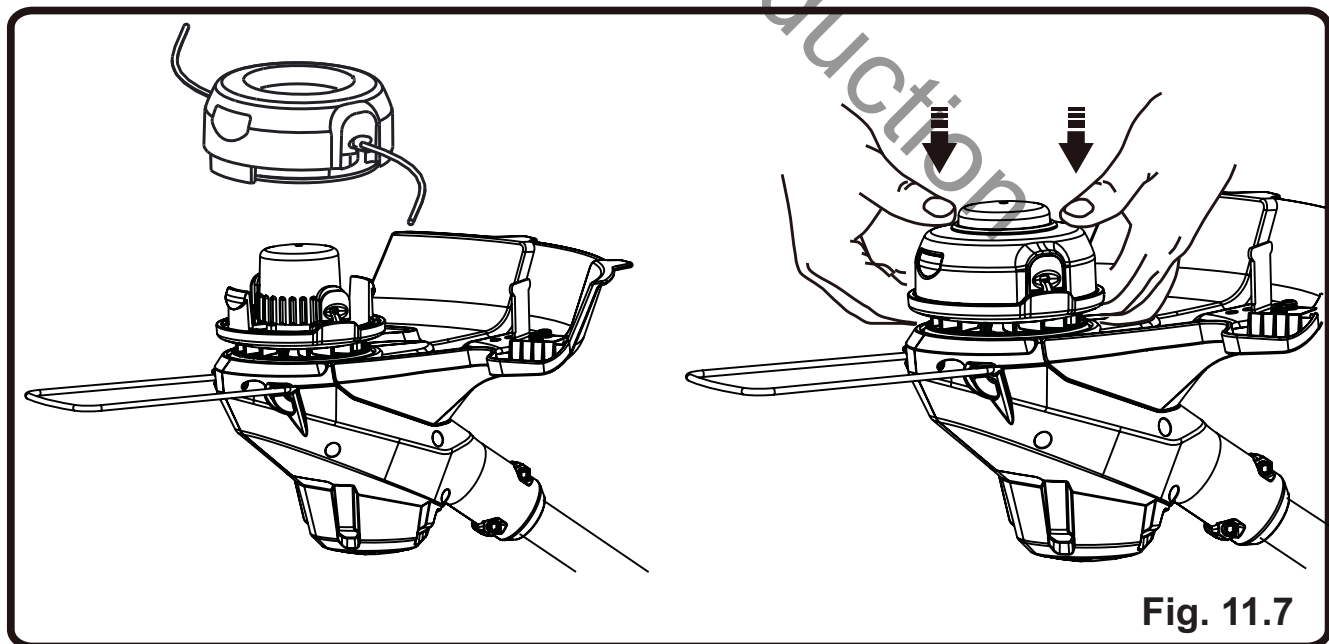
10. Installez la bobine dans son couvercle comme indiqué ci-dessous.



11. Insérez le bouts du fil dans les trous de sortie situés sur le couvercle.



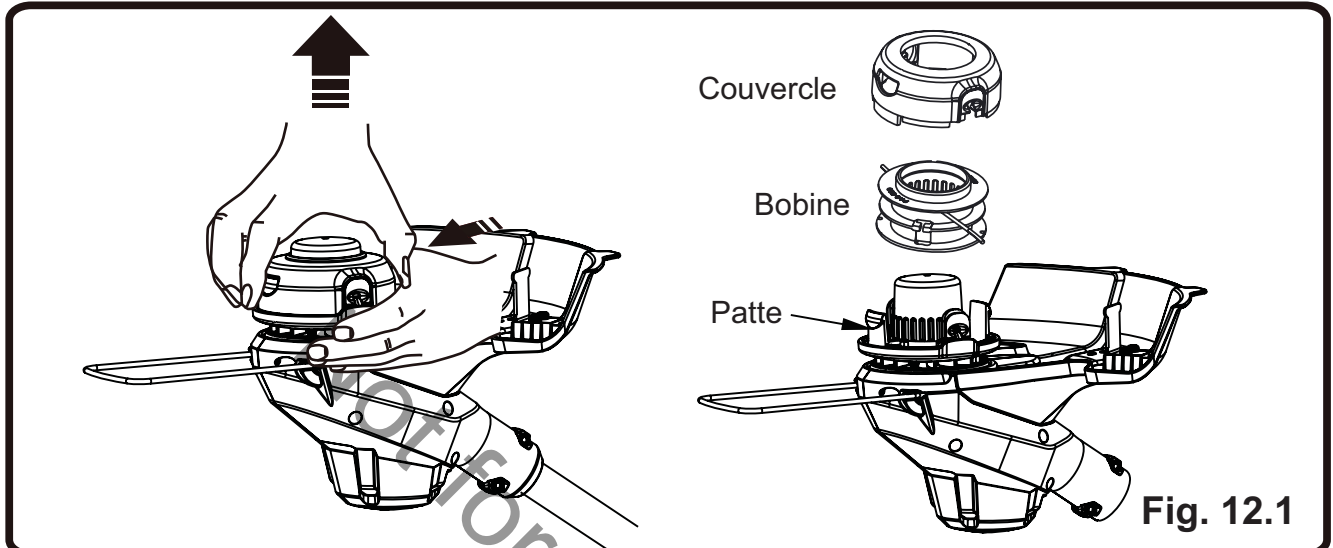
12. Réinstallez la bobine et le couvercle sur la tête de coupe. Poussez jusqu'à ce que le couvercle soit bien bloqué en place.



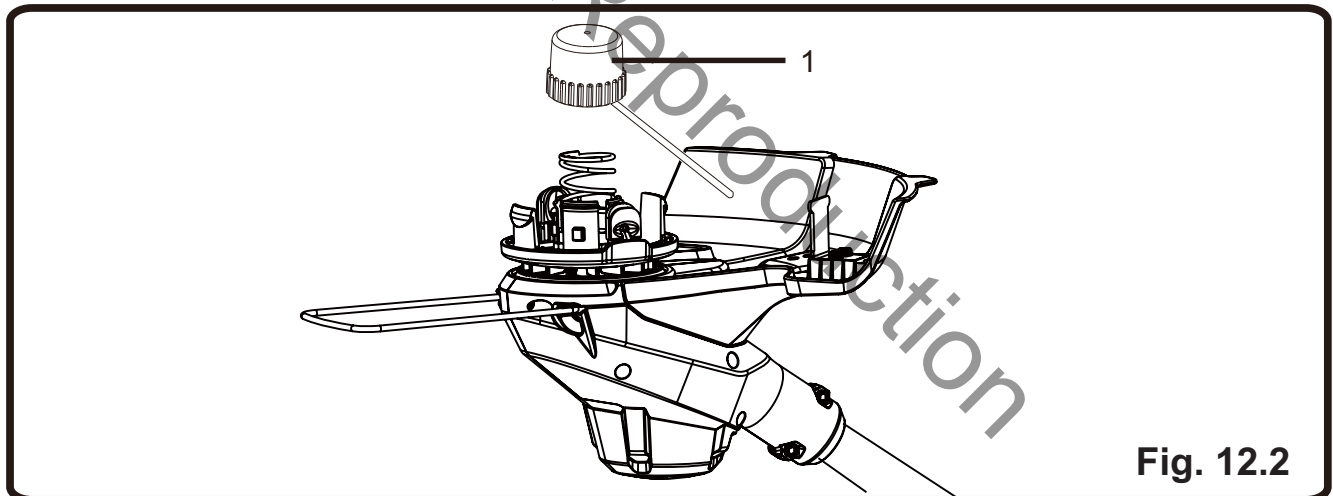
UTILISATION

REPLACEMENT DE LA COMMANDE DE COUPE (Voir Illustration 12.1 - 12.3)

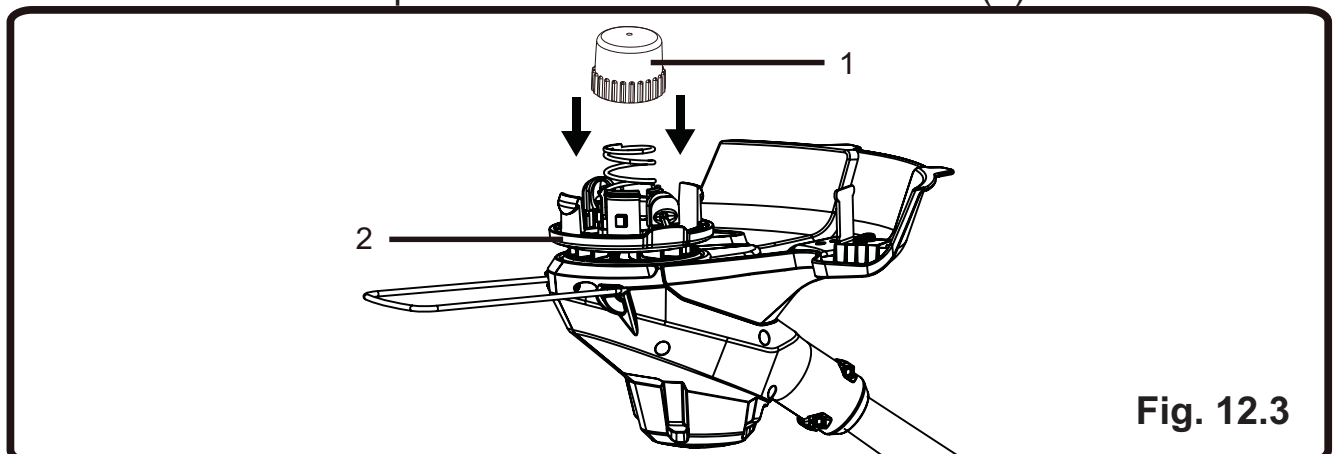
1. Retirer la batterie.
2. Appuyez le pattes du côté de la tête de coupe et enlevez le couvercle et la bobine.



3. Tout en tenant la commande de coupe (1), tirez fermement sur celle-ci pour la sortir.



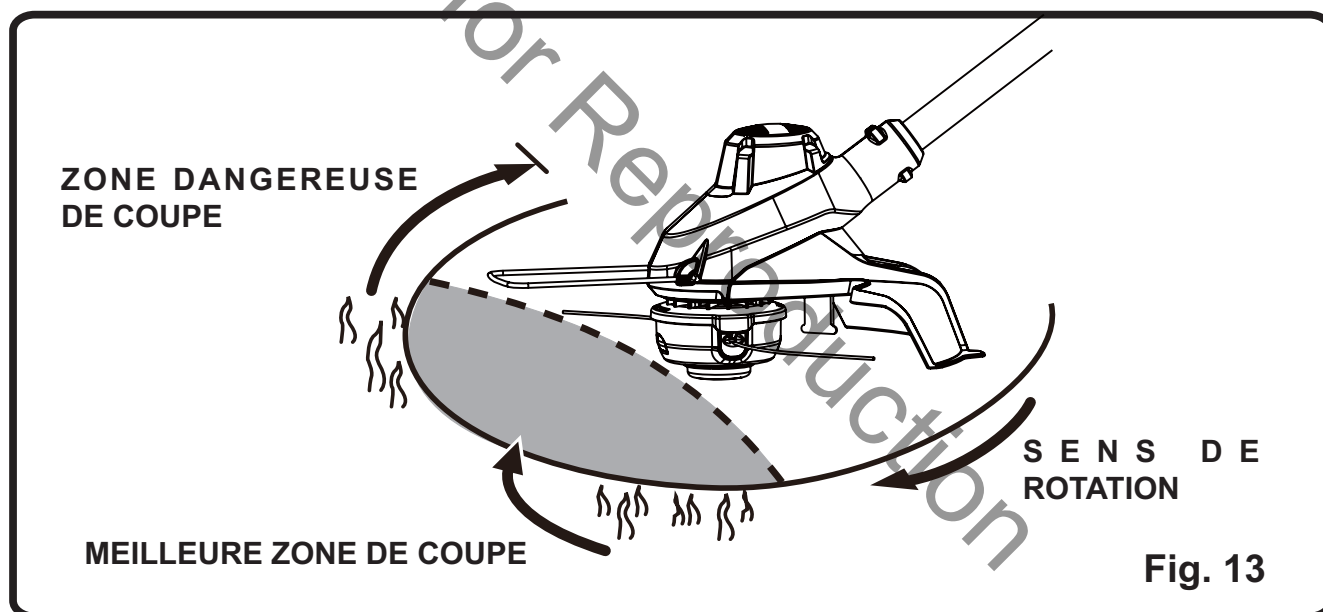
4. Remplacez-la par une nouvelle commande de coupe (1). Enfoncez la commande de coupe dans le couvercle de la bobine (2).



UTILISATION

CONSEILS DE COUPE (Voir Illustration 13.)

- Pour une efficacité maximale, gardez le coupe-herbe incliné vers la zone de coupe; ce qui est la meilleure zone de coupe.
- Pour couper avec le coupe-herbe, utilisez-le en un mouvement de balayage de droite à gauche. Ceci évite que les débris soient projetés en direction de l'utilisateur. Évitez de couper dans la zone dangereuse comme le montre l'illustration 13.
- Coupez avec l'extrémité de la ligne; ne forcez pas la tête de coupe dans l'herbe non coupée.
- Les palissades en métal et en bois accélèrent l'usure de la ligne et peuvent la faire casser. Les murs en pierre et brique, trottoirs et pièces de bois peuvent user la ligne rapidement.
- Contournez les arbres et les arbustes. L'écorce des arbres, les moulures en bois, le lambrissage et les piquets de palissades peuvent être facilement endommagés par la ligne.



ENTRETIEN

ENTRETIEN GÉNÉRAL

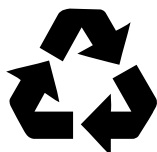
Évitez d'utiliser des solvants pour le nettoyage des pièces en plastique. La plupart des matières plastiques peuvent être endommagées par divers types de solvants commerciaux. Utilisez un chiffon propre pour éliminer la saleté, la poussière, le lubrifiant, la graisse, etc.

Nettoyez toujours l'appareil avant de la ranger, rangez celle-ci dans un endroit sec et en ayant préalablement chargé la batterie.

Tâche d'entretien	À chaque fois que la machine est utilisée	Toutes les deux heures	Chaque semaine	Après utilisation	Chaque année ou lorsque nécessaire
L'inspection visuelle des systèmes de sécurité de l'outil (dispositif d'écartement, œil de transport, boîtier de sécurité)	X			X	
Vérifiez le fonctionnement du système de sécurité de la gâchette	X				
Vérifiez visuellement l'outil (aucune fissure ou déformation)	X	X			X
Vérifiez visuellement l'outil au niveau de la fixation de la tige (aucune déformation ou usure)	X	X			X
Vérifiez le niveau de charge de la batterie.	X				
Inspection de l'outil par un revendeur Greenworks agréé					X

MISE AU REBUT DE LA BATTERIE SANS DANGER POUR L'ENVIRONNEMENT

Les cellules du bloc-batterie de cet outil comportent la ou les matières toxiques et corrosives suivantes: **le lithium-ion, une matière toxique.**



⚠ A V E R T I S S E M E N T

Toutes matières toxiques doivent être éliminées conformément aux directives afin d'éviter de contaminer l'environnement. Avant de mettre au rebut un bloc-batterie de type lithium-ion endommagé ou usé, communiquez avec votre agence locale d'élimination des déchets pour obtenir de plus amples renseignements et les directives appropriées. Apportez les batteries au centre local de recyclage et d'enfouissement autorisé pour la mise au rebut des batteries au lithium-ion.

⚠ A V E R T I S S E M E N T

Si le bloc-batterie comporte une fissure, et ce, même en l'absence d'une fuite, vous ne devez pas le recharger ou l'utiliser. Vous devez alors vous en débarrasser et le remplacer par un nouveau bloc-batterie. **N'ESSAYEZ PAS DE LE RÉPARER!** Ceci a pour but d'éviter les blessures et les risques d'incendie, de déflagration ou de choc électrique ou les possibilités de contaminer l'environnement:

- Couvrez les bornes de la batterie à l'aide d'un ruban adhésif résistant.
 - Ne tentez PAS de retirer ou de détruire un composant quelconque du bloc-batterie.
 - Ne tentez PAS d'ouvrir le bloc-batterie.
 - Lorsqu'une fuite survient, les substances électrolytes qui s'en dégagent sont corrosives et toxiques. **ÉVITEZ** que cette solution vous pénètre dans les yeux ou la peau et ne l'avalez pas.
 - **ÉVITEZ** de placer ce type de batteries dans vos ordures ménagères.
 - **ÉVITEZ** de les incinérer.
 - **ÉVITEZ** qu'elles se retrouvent dans un site d'enfouissement quelconque ou dans des installations municipales de déchets solides.
 - Apportez-les dans un centre d'enfouissement ou de recyclage accrédité.
-

DÉPANNAGE

Problème	Cause Possible	Solution
Le coupe-herbe ne peut pas démarrer lorsque j'appuie sur le bouton de verrouillage.	1. La batterie n'est pas fixée au coupe-herbe.	1. Fixez la batterie au coupe-herbe.
	2. Il n'y a pas de contact électrique entre l'outil et la batterie.	2. Retirez la batterie, vérifiez les contacts puis réinstallez la batterie.
	3. La batterie est à plat.	3. Chargez la batterie.
	4. Le levier de déverrouillage et la gâchette ne sont pas pressés simultanément.	4. Appuyez sur le bouton de déverrouillage puis maintenez-le enfoncé, appuyez ensuite sur la gâchette pour mettre en marche le coupe-herbe.
Le coupe-herbe s'arrête en cours de coupe.	1. Le déflecteur d'herbe n'est pas installé sur le coupe-herbe, ce qui entraîne une coupe longue et une surcharge du moteur.	1. Retirez la batterie et installez le déflecteur d'herbe sur le coupe-herbe.
	2. Un fil de coupe renforcé est utilisé par l'outil.	2. Utilisez uniquement un fil de diamètre 0,080" ou moins.
	3. La tige du moteur ou tête de coupe est remplie d'herbe.	3. Arrêtez le coupe-herbe, retirez la batterie, puis retirez l'herbe de la tige du moteur et de la tête de coupe.
	4. Le moteur est en surcharge.	4. Retirez l'herbe contenue dans la tête de coupe. Le moteur redémarre normalement une fois la charge retirée. En cours de coupe, déplacez la tête de coupe vers le haut et le bas pour couper l'herbe, veillez à ne pas couper plus de 8 pouces d'herbe par passage.
	5. La batterie ou le coupe-herbe sont trop chaud.	5. Deje que la batería se enfríe hasta que el funcionamiento sea normal.
	6. La batterie est déconnectée de l'outil.	6. Réinstallez la batterie.
	7. La batterie est à plat.	7. Chargez la batterie.

DÉPANNAGE

Problème	Cause Possible	Solution
Le fil n'avance pas.	1. La bobine est coincée.	1. Lubrifiez à l'aide d'un lubrifiant. Consultez la section Remplacer le fil de ce manuel.
	2. Pas assez de fil sur la bobine.	2. Installez une nouvelle bobine. Consultez la section Remplacer le fil de ce manuel.
	3. Les fils sont trop usés.	3. Faites avancer manuellement le fil en appuyant sur le bouton rotatif.
	4. Les fils sont coincés dans la bobine.	4. Retirez le fil de la bobine puis rembobinez-le. Reportez-vous à la section Remplacement du fil mentionnée dans les chapitres précédents de ce manuel.
Le fil n'arrête pas de se couper.	1. Le coupe-herbe n'est pas correctement utilisée.	1. Coupez toujours en utilisant le bout du fil, évitez les pierres, les murs et les autres objets solides. Alimentez le fil régulièrement afin de maintenir une largeur de coupe totale.
L'herbe s'enroule autour de la tête de coupe et du moteur du coupe-herbe.	1. Coupez l'herbe haute au niveau du sol.	1. Coupez l'herbe haute de haut en bas, en coupant pas plus de 8 pouces d'herbe à chaque passage afin de prévenir tout enroulement.
Le fil coupe mal.	1. La lame découpe-fil située au bord du déflecteur d'herbe est émoussée.	1. Affûtez la lame avec une lime ou remplacez-la par une nouvelle.

GARANTIE LIMITÉE

Briggs & Stratton garantit la réparation ou le remplacement gratuit, pendant la période de garantie spécifiée ci-dessous, de toute pièce présentant des vices de matériaux ou de fabrication. Les frais de transport du produit à réparer ou remplacer seront, dans le cadre de cette garantie, réglés par l'acheteur. Cette garantie court sur les périodes énoncées ci-dessous et est assujettie aux conditions énoncées ci-dessous. Pour trouver le distributeur autorisé le plus proche afin d'obtenir les services couverts par la garantie, veuillez consulter notre carte de localisation de distributeur sur www.SNAPPER.com. L'acheteur doit contacter le distributeur autorisé, puis lui apporter le produit à des fins d'inspection et de test.

Il n'y a pas d'autre garantie expresse. Les garanties implicites, y compris celles de qualité marchande et d'adaptation à un emploi particulier, sont limitées à une année à partir de la date d'acquisition ou conformément à ce qui est prévu par la loi. La responsabilité pour les dommages consécutifs ou indirects est exclue dans la mesure où l'exclusion est prévue par la loi. Certains états ou pays ne permettent pas les limitations de durée de la garantie implicite. Certains états ou pays n'autorisent pas l'exclusion ou la limitation des dommages consécutifs ou indirects. Dans ce cas, la limitation ci-dessus ne s'applique pas à votre cas. La présente garantie vous offre des droits juridiques spécifiques et il se peut que vous ayez d'autres droits qui varient d'une juridiction à une autre, ou d'un pays à un autre.**.

PÉRIODE DE GARANTIE

	Usage privé	Usage professionnel
Equipement	36 mois	Aucun
Batterie et chargeur de batterie	24 mois	Aucun

**En Australie - Nos produits sont livrés avec des garanties qui ne peuvent pas être exclues d'après les droits de la consommation australiens. Vous pouvez obtenir un remplacement ou un remboursement en cas de défaillance majeure ou en compensation de toute perte ou de tout dommage survenu dans le cadre des conditions raisonnablement prévisibles d'utilisation du produit. Vous pouvez également bénéficier de la réparation ou du remplacement des produits si la qualité de ces derniers n'est pas acceptable et si le défaut n'entraîne pas de défaillance majeure. Pour trouver le distributeur autorisé le plus proche afin d'obtenir les services couverts par la garantie, veuillez consulter notre carte de localisation de distributeur sur [insérer l'adresse du site Web], composer le 1300 274 447, ou envoyer une demande par voie électronique à l'adresse salesenquires@briggsandstratton.com.au, Briggs & Stratton Australia Pty Ltd, 1 Moorebank Avenue, NSW, Australie, 2170.

La période de garantie commence à la date de l'achat par l'acheteur au détail ou commercial, initial. « Utilisation grand public » fait référence à un emploi

GARANTIE LIMITÉE

dans une résidence individuelle par un particulier. « Utilisation commerciale » indique toutes les autres utilisations possibles, y compris commerciales, créatrices de revenus ou locatives. Une fois l'équipement utilisé à des fins commerciales, il est considéré comme un produit d'utilisation commerciale dans le cadre de cette garantie.

Afin d'assurer une couverture totale et rapide de la garantie, enregistrez votre produit sur le site Web indiqué ci-dessus ou sur www.onlineproductregistration.com.

Conservez votre reçu d'achat comme preuve. Si vous n'avez pas de preuve de la date de l'achat initial au moment de la demande d'un service en vertu de la garantie, la date de fabrication du produit sera utilisée pour déterminer la période de garantie. L'enregistrement du produit n'est pas requis pour obtenir un service en vertu de la garantie pour les produits Briggs & Stratton.

AU SUJET DE LA GARANTIE

Un service en vertu de la garantie n'est disponible que par l'intermédiaire des distributeurs autorisés Snapper. Parfois, les demandes de réparations dans le cadre de la garantie peuvent ne pas être pertinentes. La présente garantie couvre uniquement les vices de matériaux ou de fabrication. Elle ne couvre pas les dommages causés par une utilisation inappropriée ou abusive, un entretien ou une réparation inapproprié, ou l'usure normale.

Utilisation inappropriée ou emploi abusif – L'emploi approprié comme il est prévu pour ce produit est décrit dans le mode d'emploi. L'utilisation du produit d'une façon non décrite dans le manuel d'utilisation ou l'emploi du produit après qu'il a été endommagé a pour effet d'annuler la garantie. Vous ne pourrez vous prévaloir de la garantie si le numéro de série du produit a été retiré, si le produit a été modifié d'une manière quelconque ou s'il présente des preuves d'utilisation abusive, telles que des marques de coups ou de corrosion par l'eau ou des produits chimiques.

Réparation ou entretien inapproprié – Ce produit doit être entretenu selon les procédures et les programmes d'entretien décrits dans le manuel de l'utilisateur. En outre, il doit être dépanné ou réparé en utilisant des pièces d'origine Briggs & Stratton ou des pièces équivalentes. Les dommages causés par un manque d'entretien ou l'utilisation de pièces n'étant pas d'origine, ne sont pas couverts par la garantie.

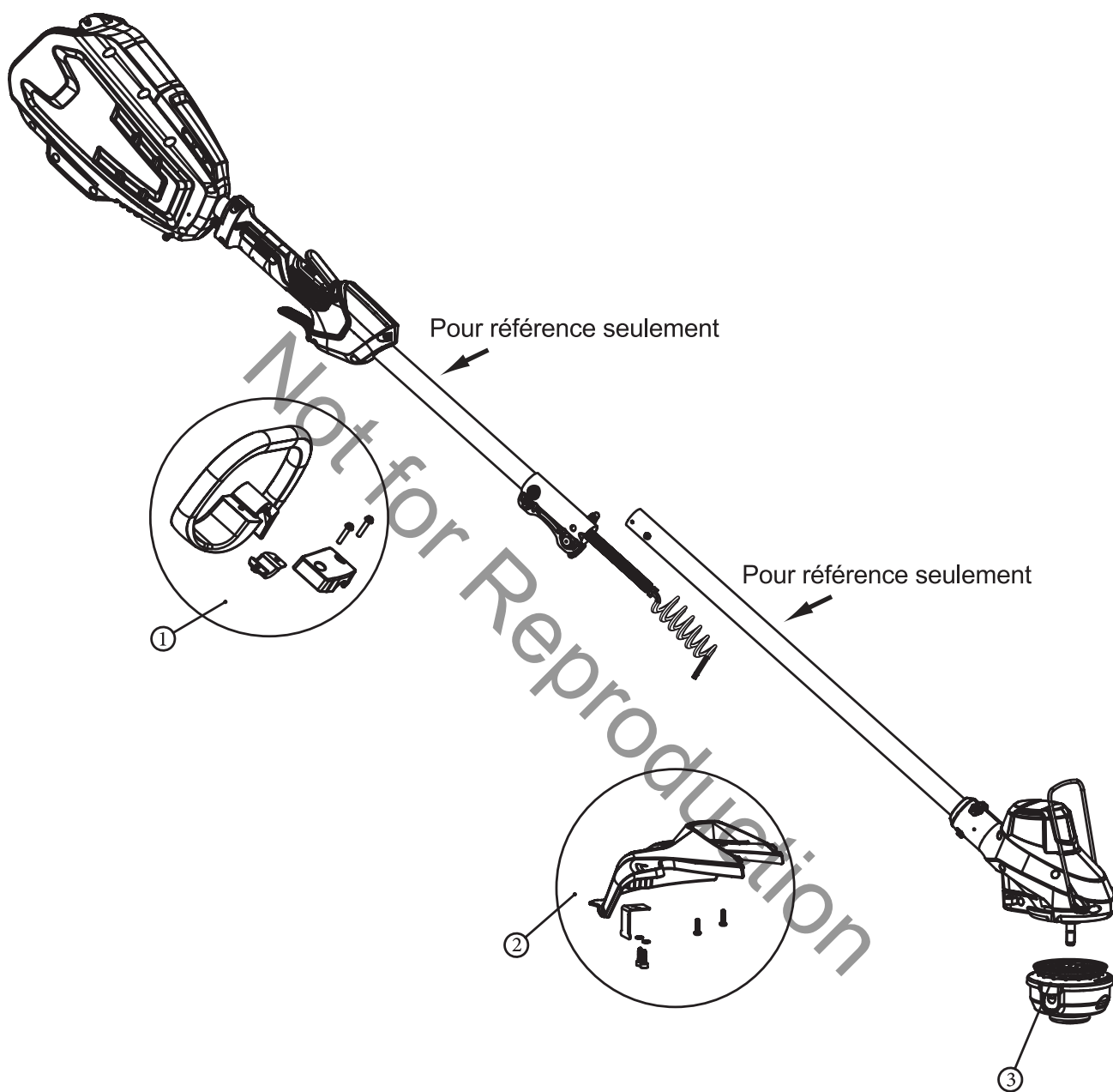
Usure normale – Comme tous les appareils mécaniques, votre machine est sujette à l'usure même en cas d'entretien approprié. Cette garantie ne couvre pas la réparation de pièces ou d'équipements usés par un usage normal. Les articles d'entretien et d'usure, tels que filtres, courroies, lames et plaquettes de freins (les plaquettes de frein moteur sont couvertes) ne sont pas couverts par la garantie, uniquement en raison de leur caractéristique d'usure, à moins que la cause ne soit due à des vices de matériaux ou de fabrication.

GARANTIE LIMITÉE

Autres exclusions – Cette garantie ne couvre pas les dégâts dus à des accidents, des abus, des modifications, des altérations ou un entretien incorrect, ni les détériorations provoquées par le gel ou par une agression chimique. Les pièces ou accessoires rattachés ne faisant pas partie du conditionnement d'origine du produit ne sont également pas couverts. Cette garantie ne comporte pas les moteurs ou équipement de démonstration, usagés, d'occasion ou remis à neuf. Cette garantie ne couvre pas les détériorations provoquées par des catastrophes naturelles ou autres cas de force majeure dépassant le contrôle des fabricants.

Not for Reproduction

VUE ÉCLATÉE



LISTE DES PIÈCES

N° de réf.	No de pièce	Description	Qté
1	84001696	ASSEMBLAGE DE LA POIGNÉE	1
2	84001697	PROTECTION ENSEMBLE	1
3	84001698	ASSEMBLAGE DE LA TÊTE DU TAILLE-HAIE	1

Not for Reproduction

Not for Reproduction



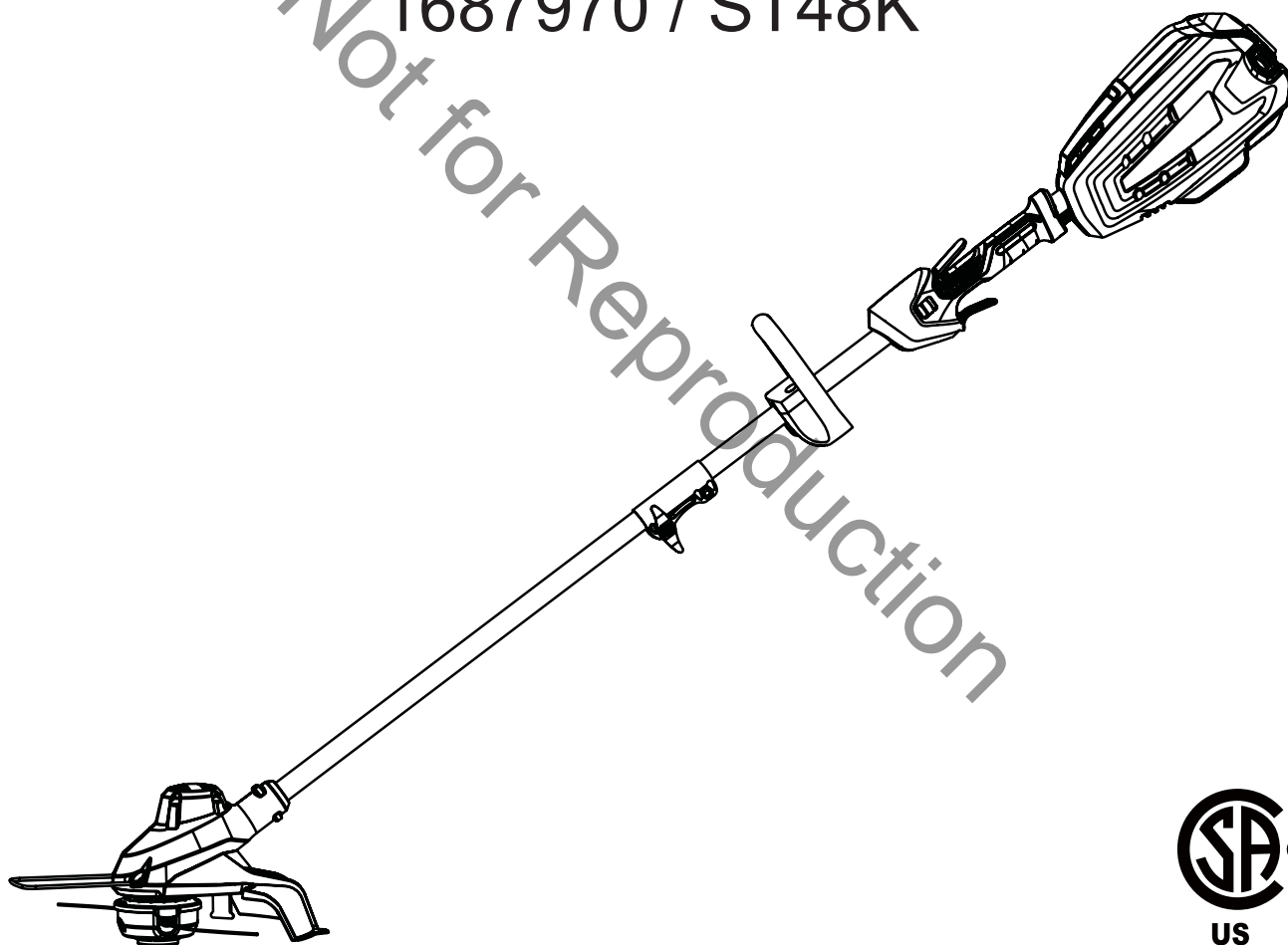
Copyright © Briggs & Stratton Corporation
Milwaukee, WI, 53201-0702. All rights reserved.

LIGNE SANS FRAIS : 1-800-317-7833

80077949 Rev: 01 (02-05-19)




Desbrozadora inalámbrica 48V
1696956 & 80075680 / ST48
1687970 / ST48K



US
218549

Manual Del Propietario
LÍNEA GRATUITA LÍNEA DE AYUDA: 1-800-317-7833
www.snapper.com

 Leer todas las normas de seguridad y las instrucciones cuidadosamente antes de utilizar esta herramienta.

CONTENIDOS

Contenidos	2
Especificaciones	2
Reglas generales de seguridad.....	3
Símbolos	6
Sepa su producto	8
Armado	10
Funcionamiento.....	16
Mantenimiento.....	24
Eliminación de baterías sin daño para el ambiente	25
Solución de problemas.....	26
Garantía Limitada.....	28
Plano de despiece.....	31
Lista de piezas	32

ESPECIFICACIONES

DESBROZADORA INALÁMBRICA 48V 13"

Tipo	Inalámbrica, activada por baterías
Motor	CC 48V
Área de corte	11/13 in. (27.9/33.0 cm)
Diámetro de línea	Nylon / .080" (2.0 mm)
Velocidad	6900±10%/6300±10% RPM
Tipo de alimentación	Alimentación mediante golpes leves
Peso (sin batería)	6.8 lbs (3.1 kg)

*Exención de responsabilidad: *El voltaje inicial máximo de la batería (medido sin carga de trabajo) es de 48 voltios. Es voltaje nominal es de 43.*

REGLAS GENE RALES DE SE GURIDAD

⚠ A D V E R T E N C I A

Lea y comprenda todas las instrucciones antes de usar este producto. Si no sigue todas las instrucciones enumeradas a continuación, podrían producirse descargas eléctricas, incendios y/o daños personales graves.

- Revise el área de trabajo cada vez antes del uso. Quite todo objeto inadecuado tal como rocas, fragmentos de vidrio, clavos, alambre o cuerdas que pudieran saltar o enrollarse en la máquina.
- Use siempre gafas de seguridad con protecciones laterales. Las gafas para uso diario tienen lentes solamente resistentes a impactos. NO son gafas de seguridad. Observar esta regla reduce el riesgo de lesiones en los ojos. Utilice una careta si la operación produce polvo.
- Evite los entornos de trabajo peligrosos - No exponga las aparato or herramienta eléctricas a la lluvia ni a condiciones de humedad. La introducción de agua en una herramienta eléctrica aumenta el riesgo de descargas eléctricas.
- No lo use en la lluvia.
- Mantenga a los espectadores, niños y mascotas alejados por lo menos 15 metros (50 pies).
- Use la aplicación correcta. No use el producto para ningún otro trabajo que no sea para el cual fue creado.
- Para prevenir encendidos accidentales, nunca cargue un producto a batería con su dedo enel interruptor. Asegúrese de que el interruptor esté apagado cuando inserte la batería.
- No haga funcionar el equipo estando descalzo ni al usar sandalias o calzado ligero similar. Use calzado protector que resguarde sus pies y aumente su tracción en superficies lisas.
- No realice sobreesfuerzos. Mantenga un equilibrio adecuado en todo momento.
- Permanezca alerta - Preste atención a lo que está haciendo. Use el sentido común. No use esta unidad cuando se encuentre fatigado, enfermo o bajo los efectos del alcohol, drogas o medicamentos.
- Almacene los aparatos inactivos - Al no usar el recortador se le debe almacenar bajo techo en un lugar seco, con llave, fuera del alcance de los niños.
- Proporcione mantenimiento con cuidado al aparato – Cambie el cabezal del hilo, si está agrietado, desportillado o dañado de cualquier forma. Asegúrese de que el cabezal del hilo, o cuchilla, según sea el caso, esté debidamente instalado y firmemente asegurado. Mantenga los bordes cortantes afilados y limpias para un mejor rendimiento y reducir el riesgo de lesiones. Siga las instrucciones de lubricación y cambio de accesorios. Inspeccione periódicamente los cables y si están dañados llévelos a un centro de servicio autorizado. Revise las prolongaciones periódicamente y sustitúyalas si están dañadas. La inobservancia de esta advertencia puede causar lesiones corporales serias.

REGLAS GENERALES DE SEGURIDAD

- Asegúrese de que no hayan partes dañadas. Antes de usar el producto, un protector u otra parte que esté dañada debe ser revisada cuidadosamente para determinar si funcionará apropiadamente y desempeñará la función para la cual fue diseñada.
- Verifique la alineación de las piezas en movimiento, la unión de las piezas en movimiento, el daño de piezas, el montaje y cualquier otra condición que pueda afectar su funcionamiento. Un protector u otra pieza que esté dañada debe ser reparado apropiadamente o reemplazado por un centro de servicio autorizado a menos que se indique otro lugar en este manual.
- No cargue la herramienta de batería en la lluvia o en un lugar húmedo o mojado. Si sigue estas indicaciones reducirá el riesgo de descargas eléctricas.
- Quite o desconecte la batería antes del mantenimiento, limpieza o retirada de material de equipo para jardín.
- No deseche las baterías tirándolas al fuego. Las celdas podrían explotar. Verifique los códigos locales para averiguar si hay instrucciones especiales para su desecho.
- No abra las baterías ni las corte. El electrolito suelto es corrosivo y podría causar lesiones en los ojos o la piel. Podría ser tóxico si se le ingiere.
- Tenga mucho cuidado al manejar baterías para no poner en corto la batería mediante materiales conductores tales como anillos, brazaletes y llaves. La batería o el material conductor se podría sobrecalentar y provocar quemaduras.
- Vístase adecuadamente – No use ropa holgada o joyas. Podrían quedar atrapados en las piezas móviles. Se recomienda el uso de guantes de goma y calzado sólido cuando se trabaje al aire libre. Use un protector que cubra el cabello para agarrarlo.
- No fuerce la herramienta – El uso de la herramienta adecuada a la velocidad para la que está diseñada, efectuará el trabajo de mejor y más segura manera.
- Recargue la batería solamente con el cargador especificado por el fabricante. Podría haber un riesgo de incendio cuando se utilice un cargador con una batería para la que no está diseñado.
- Utilice solo Baterías Briggs & Stratton: BSB2AH48 or BSB5AH48.
- Utilice solo Cargador Briggs & Stratton: BS2AC48.
- Cuando la batería no está en uso, manténgala alejada de otros objetos metálicos como clips, monedas, llaves, clavos, tornillos u otros objetos metálicos pequeños que puedan crear una conexión desde una terminal a otra. Si se produjese un cortocircuito en los terminales de la batería, éste podría causar quemaduras o un incendio.
- En condiciones abusivas, podría salir expulsado líquido de la batería, por lo que debería evitar el contacto con éste. Si se produce un contacto accidental, enjuáguese las manos con agua. Si el líquido entra en contacto con los ojos, acuda inmediatamente al médico. Si el líquido es expulsado de la batería podría causar irritación o quemaduras.
- No utilice una batería o apartado dañado o modificado. Las baterías dañadas o modificadas pueden comportarse de modo imprevisto que puede causar incendio, explosión o riesgo de lesión.

REGLAS GENERALES DE SEGURIDAD

- No exponga un paquete de baterías o electrodoméstico al fuego o una temperatura excesiva. La exposición al fuego o temperaturas superiores a 265°F (130 °C) puede causar una explosión.
- Siga las completas instrucciones de carga y no cargue la batería o el aparato a temperaturas fuera del rango indicado en las instrucciones. Si se carga incorrectamente o a temperatura fuera del rango especificado, la batería podría resultar dañada y aumentar el riesgo de incendio.
- Las reparaciones deben ser realizadas por un técnico cualificado utilizando solo piezas de repuesto idénticas. De este modo se garantizará que el producto sigue siendo seguro.
- Evite la activación accidental. Compruebe que el interruptor está en la posición apagado antes de conectar la batería, coger o transportar el aparato ya que si el interruptor estuviera en la posición encendido podría producirse un accidente.
- Desconecte el aparato- Extraiga la batería cuando no utilice el aparato, antes de una reparación o antes de cambiar accesorios como la cuchilla o similar.
- Utilice el aparato solo con la batería exacta designada. El uso de otro tipo de batería puede provocar lesiones o un incendio.
- No modifique ni intente reparar el aparato o la batería excepto tal y como se indica en las instrucciones de uso y mantenimiento.

⚠ ADVERTENCIA (PROPOSITION 65)

El polvo creado al lijar, cortar, moler, perforar y otras actividades de construcción contiene sustancias químicas que causan cáncer, defectos de nacimiento u otros daños reproductivos. Algunos ejemplos de estos productos químicos son:

- El plomo de las pinturas a base de plomo
- La sílice cristalina de ladrillos y cemento y otros productos de albañilería, y
- El arsénico y el cromo de la madera tratada químicamente.

El riesgo de exposición a estos químicos varía en función de la frecuencia con que realiza este tipo de trabajo. Para reducir su exposición a estas sustancias químicas, trabaje en un área bien ventilada y con equipos de seguridad aprobados, como mascarillas contra el polvo especialmente diseñadas para filtrar partículas microscópicas.

GUARDE ESTAS INSTRUCCIONES




SÍMBOLOS

Es posible que se empleen en este producto algunos de los siguientes símbolos. Le suplicamos estudiarlos y aprender su significado. Una correcta interpretación de estos símbolos le permitirá utilizar mejor y de manera más segura el producto.

SÍMBOLO	NOMBRE	DESIGNACIÓN/EXPLICACIÓN
V	Voltios	Voltaje
min	Minutos	Tiempo
	Corriente directa	Tipo o característica de la corriente
	No instale hoja de corte	No instale ni utilice ningún tipo de hoja de corte en ningún producto con este símbolo.
	Alerta de condiciones húmedas	No la exponga a la lluvia ni la use en lugares húmedos o mojados.
	Lea el manual del operador	Para reducir el riesgo de lesiones el usuario debe leer y comprender el manual del operador antes de usar el producto.
	Protección para los ojos	Al operar este equipo utilice protección para los ojos.
	Alerta de seguridad	Precauciones que involucran su seguridad.
	Rebote	Cualquier objeto lanzado puede rebotar y producir lesiones personales o daños físicos.
	Mantenga alejados a los espectadores	Mantenga a todos los espectadores a 15 m. (50 pies) de distancia por lo menos.

SÍMBOLOS

Los siguientes rótulos y significados se usan para explicar el nivel de riesgo relacionado con este producto.

SÍMBOLO	SEÑAL	SIGNIFICADO
	PELIGRO	Indica una situación peligrosa inminente, la cual, si no se evita, causará la muerte o lesiones serias.
	ADVERTENCIA	Indica una situación peligrosa posible, la cual, si no se evita, podría causar la muerte o lesiones serias.
	PRECAUCIÓN	Indica una situación peligrosa posible, la cual, si no se evita, podría causar lesiones menores o leves.
	PRECAUCIÓN	(Sin el símbolo de alerta de seguridad) Indica una situación que puede producir daños materiales.

SERVICIO

Para dar servicio es necesario tener extremo cuidado y conocimiento, el servicio debe ser proporcionado solamente por técnicos de servicio calificados. Sugerimos que para dar servicio al producto lo regrese a su **CENTRO DE SERVICIO AUTORIZADO** más cercano para que los reparen. Al dar servicio, use solamente repuestos idénticos.

A D V E R T E N C I A

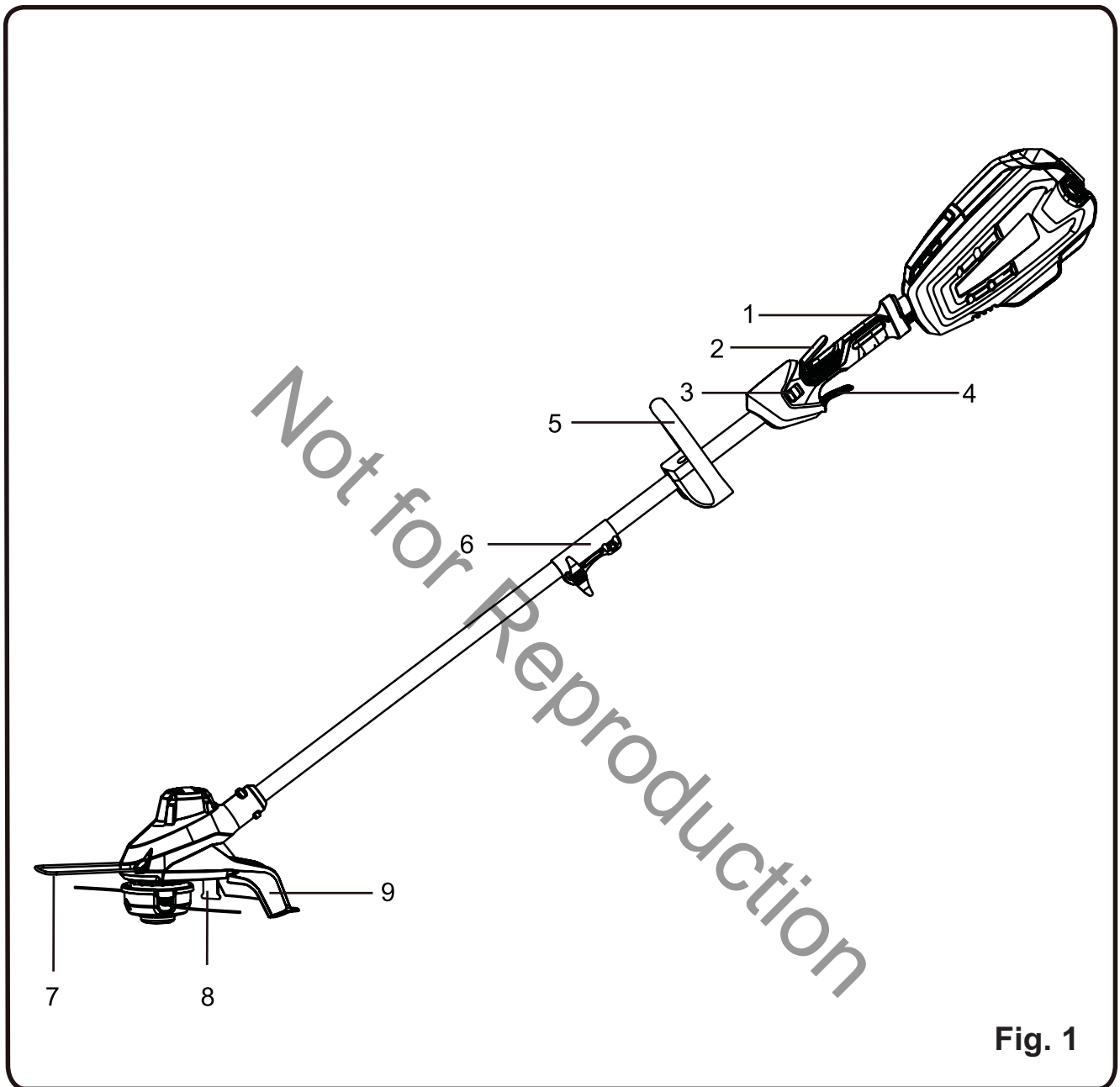
Para evitar lesiones personales graves, no trate de usar este producto antes de haber leído completamente el presente Manual del Propietario y haberlo comprendido en su totalidad. Si no comprende las advertencias y las instrucciones que aparecen en el presente Manual del Propietario, no use el producto. Llame gratis al 1-800-317-7833 para recibir ayuda.

A D V E R T E N C I A



Toda herramienta eléctrica al funcionar puede lanzar objetos extraños hacia sus ojos, lo que podría provocarles lesiones graves. Antes de comenzar el funcionamiento de una herramienta eléctrica, use siempre gafas de seguridad o gafas de seguridad con protecciones laterales y, si es necesario, una careta completa. Recomendamos usar caretas de seguridad con rango visual ancho encima de gafas de seguridad estándar, o usar gafas de seguridad estándar con protecciones laterales. Use siempre protección para los ojos con viñetas que indiquen que cumplen ANSI Z87.1. which can result in severe eye damage.

GUARDE ESTAS INSTRUCCIONES



SEPA SU PRODUCTO

CONOZCA SU PRODUCTO (Véase *La Figura 1.*)

El uso seguro de este producto requiere la comprensión de la información del producto y del manual de usuario, así como el conocimiento de la tarea que intenta realizar. Antes de utilizar este producto, familiarícese con las características de funcionamiento y normas de seguridad.

1. EMPUÑADURA TRASERA

Mango ergonómico sobremoldeado para mayor comodidad y sujeción.

2. BOTÓN DE BLOQUEO

El botón de bloqueo impide el arranque accidental.

3. BOTÓN DE VELOCIDAD ALTA/BAJA

Seleccione la baja velocidad para un mayor tiempo de funcionamiento; seleccione la alta velocidad para un corte más rápido.

4. GATILLO

Activa la recortadora de hilo al tirar.

5. MANGO AUXILIAR

La cabeza motriz está equipada con un conjunto de mango frontal para facilitar el uso y para evitar la pérdida de control.

6. ANILLO DE ACOUPLE

El acoplador conecta y bloquea los dos ejes.

7. GUÍA PARA RECORTAR BORDES

Permite recortar macizos de flores sin dañar las plantas.

8. CUCHILLA DE LA LÍNEA DE CORTE

La cuchilla ajustable de acero del sistema de protección mantiene la línea de corte a la longitud de corte correcta.

9. PROTECTOR

La recortadora incluye una protección que ayuda a protegerse de los fragmentos volátiles.

ARMADO

DESEMBALAJE

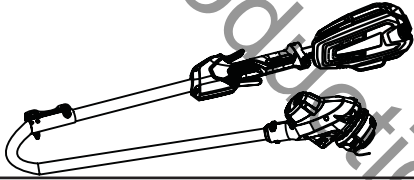
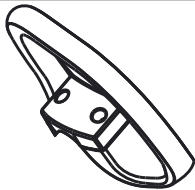
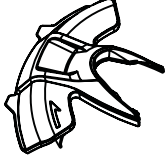


Es necesario montar este producto.

- Retire con cuidado el producto y los accesorios de la caja. Asegúrese de que están incluidos todos los elementos que figuran en la lista del paquete de embalaje.
- Revise el producto con atención para asegurarse de que no se produjeron daños o roturas durante el transporte.
- No tire el material de embalaje hasta que haya revisado con atención y haya utilizado el producto de manera satisfactoria.
- Si falta alguna parte dañada o se encuentra dañada, llame al 1-800-317-7833 para que le proporcionen asistencia.

⚠ ADVERTENCIA

No utilice este producto si ya está montado en el producto algún elemento de la lista del paquete de embalaje cuando lo desembale. El fabricante no ha montado los elementos de esta lista en el producto y requieren de la instalación del cliente. Usar un producto que puede haber sido mal montado podría provocar graves daños personales.

LISTA DE PIEZAS

Nombre de las piezas	Figura	Cant.
Recortadora de hilo		1
Mango auxiliar		1
Hierba deflector		1
Guía de bordes		1
Manual de instrucciones		1

ARMADO

⚠ ADVERTENCIA

Si falta alguna parte dañada o se encuentra dañada, no utilice el producto hasta que haya sustituido las piezas. Usar este producto si falta alguna pieza o si alguna está dañada podría provocar graves daños personales.

⚠ ADVERTENCIA

No intente modificar este producto o crear accesorios no recomendados para ser usados con él. Cualquier alteración o modificación es un uso incorrecto del producto y podría provocar situaciones peligrosas que conlleven graves daños personales.

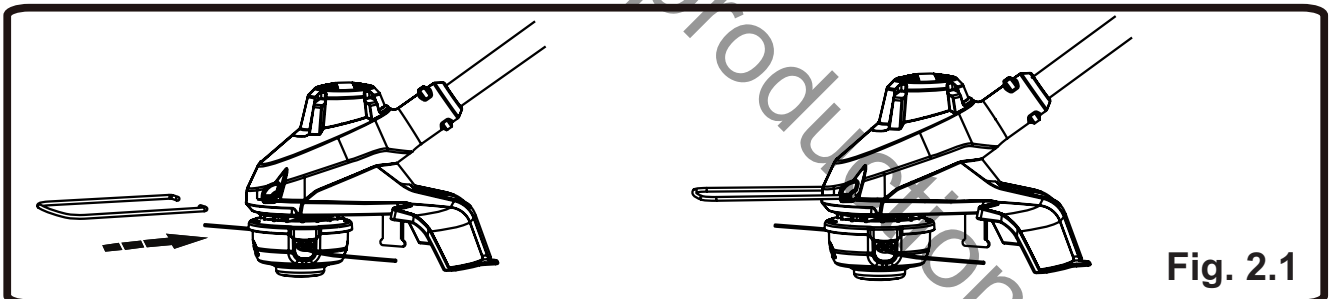
⚠ ADVERTENCIA

No conecte la unidad al suministro de energía hasta que esté completamente montada. Si la máquina está mal montada, podría arrancar accidentalmente y provocar graves daños personales.

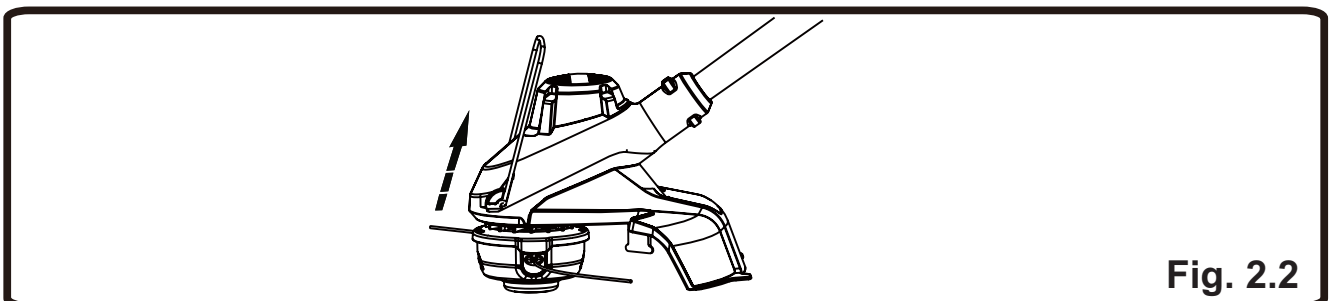
COLOCAR EL DEFLECTOR DE HIERBA (Véase La Figura 2.1 y 2.2)

El guía de borde puede limitar el rango de corte del hilo de corte y reducir el riesgo de que el hilo de corte giratorio cause daños.

1. Para usar el guía de borde, presione el guía de borde en el cabezal.



2. La guía de bordeado puede plegarse hacia arriba para su almacenamiento.

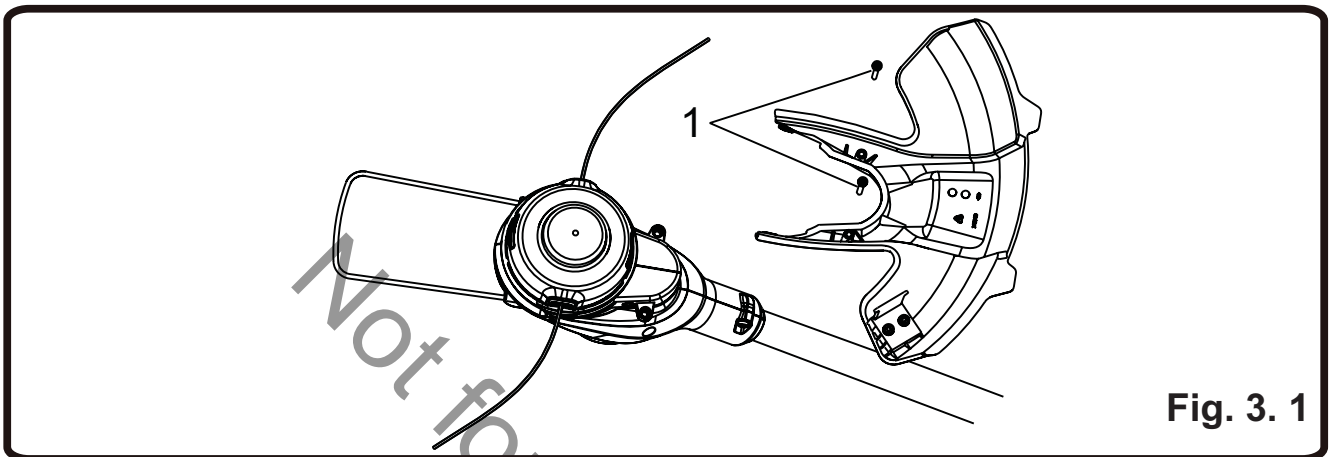


ARMADO

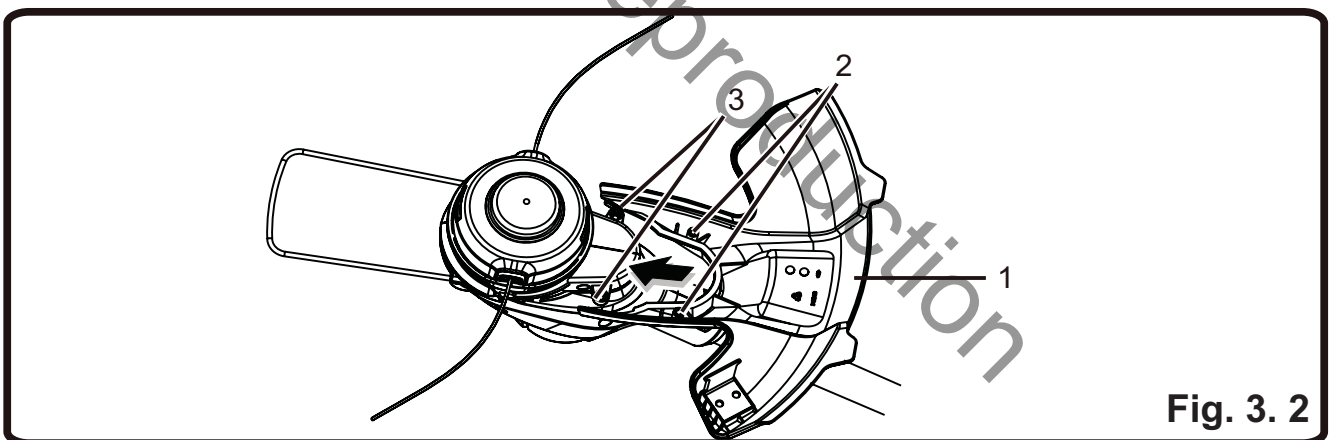
COLOCAR EL DEFLECTOR DE HIERBA (Véase La Figura 3.1 y 3.3)

NOTA: Instale el deflector de hierba antes de conectar el accesorio a la cabeza motriz.

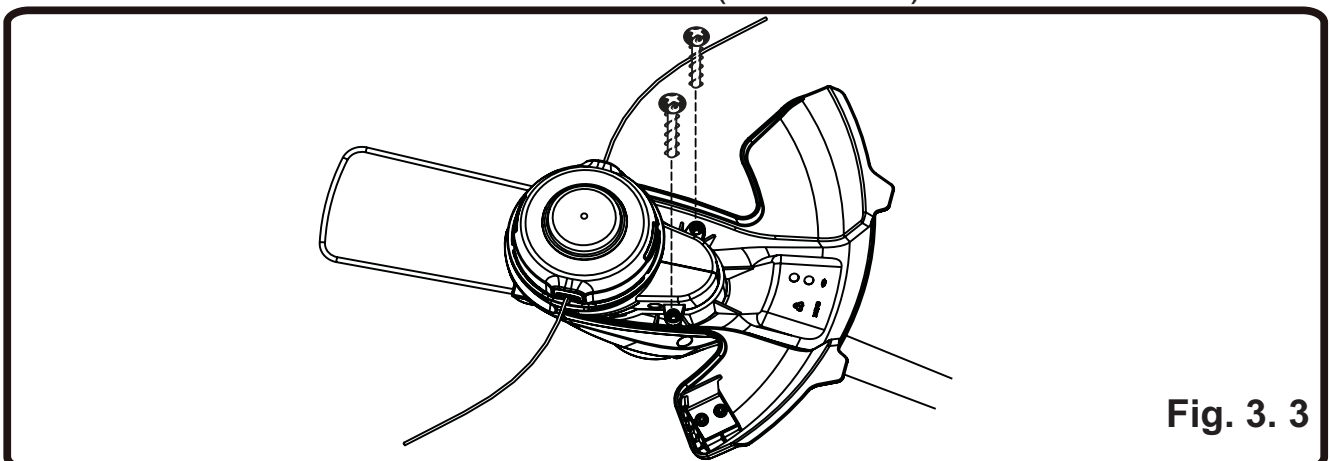
1. Invierta la orilladora para obtener acceso al cabezal de la orilladora.
2. Quite los tornillos (1) de la cubierta protectora con un destornillador Phillips (no incluido).



3. Montar la protección (1) en las ranuras del cabezal de la recortadora.
4. Alinee los orificios de tornillos de la protección (2) con los orificios de tornillos del cabezal de corte (3).



5. Inserte los tornillos en el cabezal de corte, ajustando la protección en su sitio con un destornillador de estrella (no incluido).



ARMADO

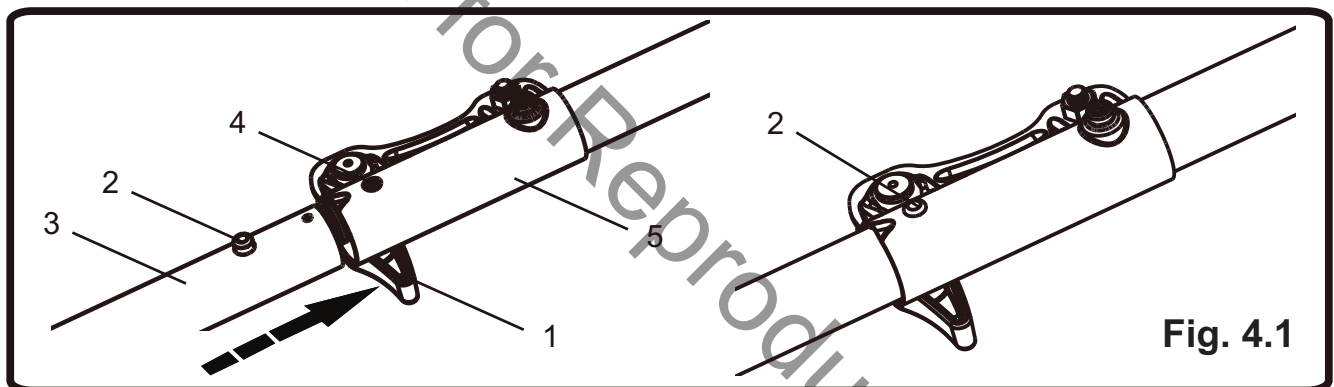
COLOCAR EL DEFLECTOR DE HIERBA (VEA LA FIGURA 4.1 Y 4.2)

⚠ A D V E R T E N C I A

Nunca instale, retire o ajuste ningún accesorio mientras sigue funcionando el bloque motor. Un fallo en la parada del motor puede causar lesiones personales graves.

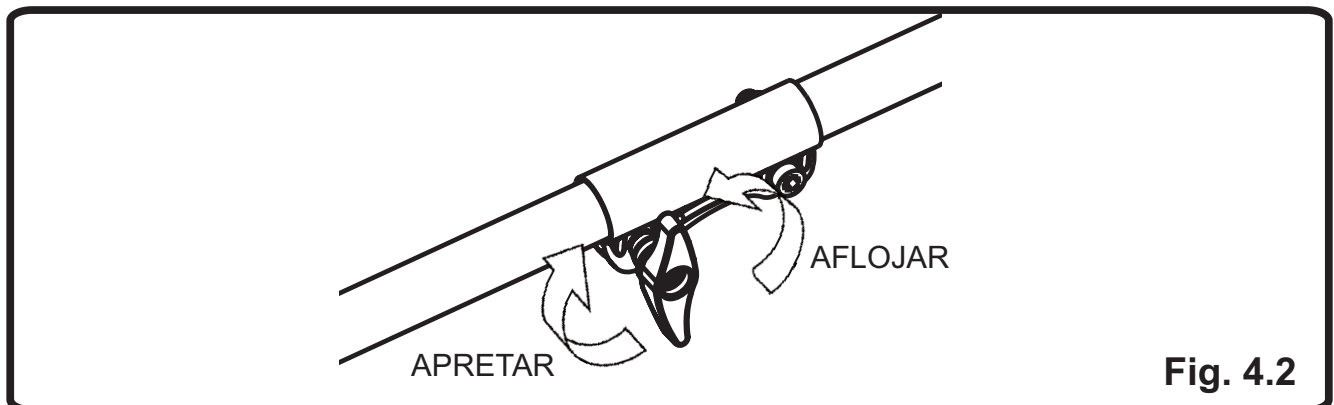
El accesorio se conecta al bloque motor mediante un anillo de acople.

1. Coloque la herramienta en una superficie plana y nivelada.
2. Afloje el vástago de fijación (1) del acoplador (5).
3. Pulse el botón de liberación (2) situado en el eje de fijación (3). Alinee el botón de liberación con el orificio de posición (4) y deslice los dos ejes juntos. Gire el eje del accesorio hasta que el botón se bloquee en el agujero de posición.



NOTA: Si el botón no se libera por completo en el agujero de posición significa que los ejes no están bien colocados. Gire ligeramente de un lado a otro hasta que el botón se ajuste en su lugar.

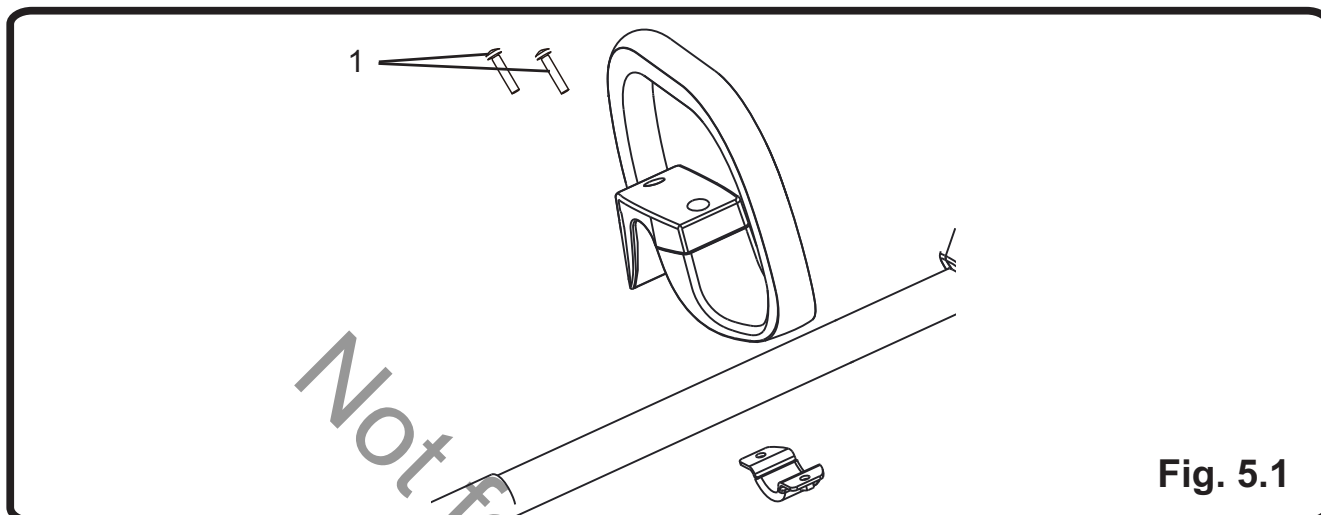
4. Apriete la llave firmemente.



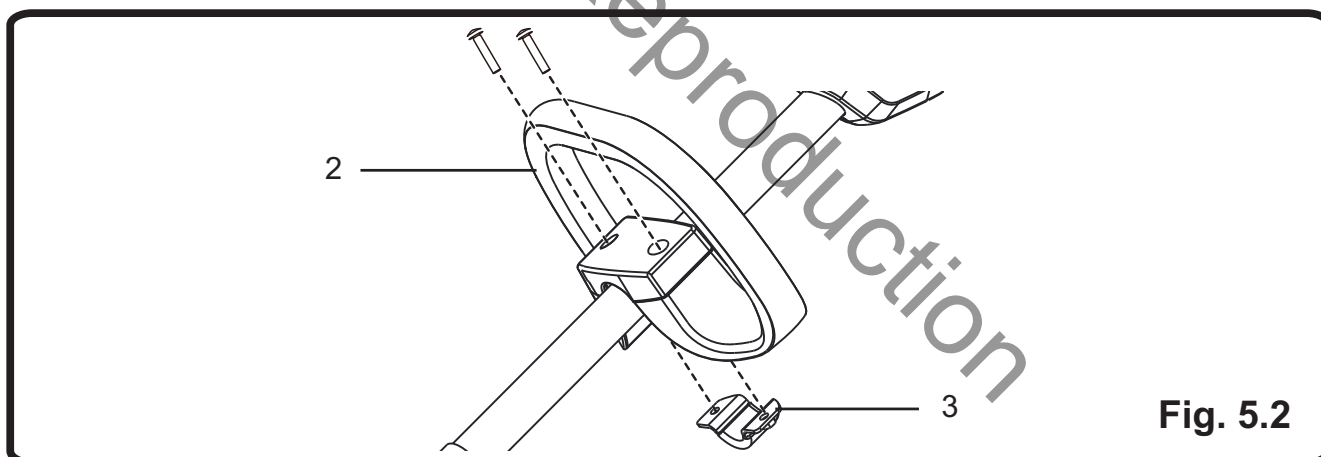
ARMADO

FIJACIÓN DEL MANGO DELANTERO (VEA LA FIGURA 5.1 Y 5.2)

1. Afloje los cuatro tornillos (1) del mango con un destornillador de estrella (no incluido) y retire los tornillos del mango.



2. Acople el mango auxiliar (2) y baje la abrazadera (3) del eje.
3. Si es necesario, suba o baje el mango para ajustarlo a la posición de manejo deseada.



4. Insertar y apriete los dos tornillos de manera que la empuñadura no pueda girar sobre el eje.

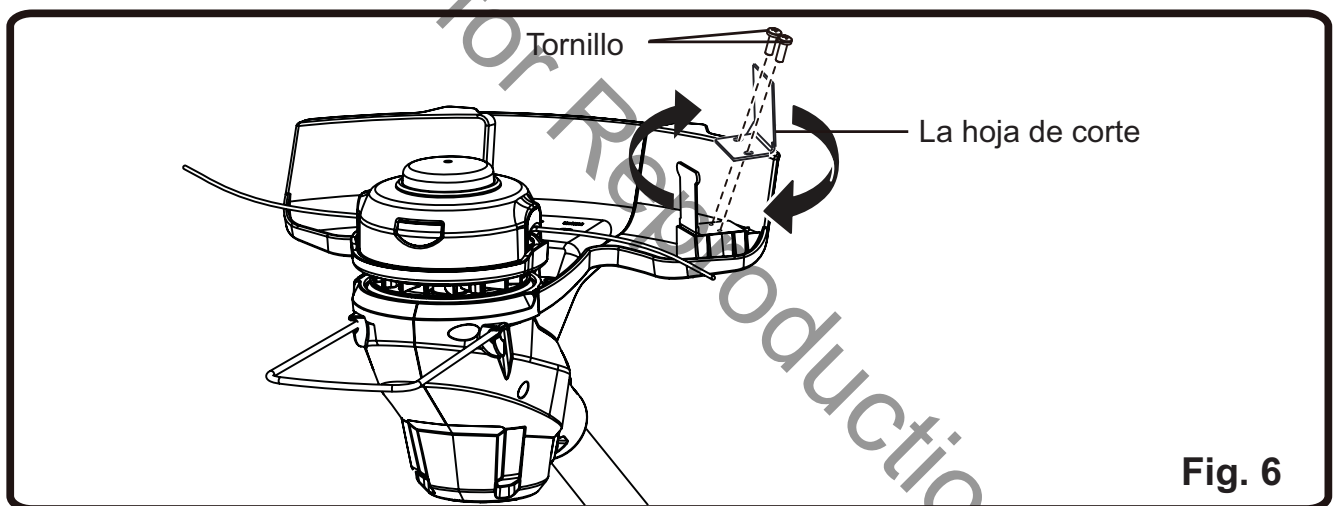
ARMADO

CUCHILLA DE CORTE DEL HILO (VEA LA FIGURA 6.)

Esta recortadora está equipada con una cuchilla de corte instalada en el protección. Para obtener mejores resultados en el recorte, avance el hilo hasta que la cuchilla lo corte a la longitud apropiada. Avance el hilo siempre que escuche que el motor está funcionando más rápido de lo normal, o cuando disminuya la eficiencia del recorte. Esto mantendrá un desempeño óptimo y mantendrá el hilo a la suficiente longitud para que avance correctamente.

Este recortadora de hilo es puesto actualmente en el 11 pulg. ancho de corte. Para ajustar a una ancho de corte de 13 pulg.:

1. Retire el paquete de baterías.
2. Afloje el tornillo de la hoja entonces gira la hoja 180°.
3. Apriete el tornillo de la hoja.



FUNCIONAMIENTO

⚠ ADVERTENCIA

Preste especial atención aunque esté familiarizado con el producto. Recuerde que un despiste de una sola fracción de segundo es suficiente para causar daños graves.

⚠ ADVERTENCIA

No utilice conexiones ni accesorios que no estén recomendados por el fabricante de este producto. El uso de conexiones o accesorios no recomendados podría causar graves daños personales.

⚠ ADVERTENCIA

Esta recortadora de hilo no está diseñada para ser utilizada con accesorios de desbrozadora. El uso de un accesorio de desbrozadora podría causar lesiones personales graves o daños materiales.

Not for Reproduction

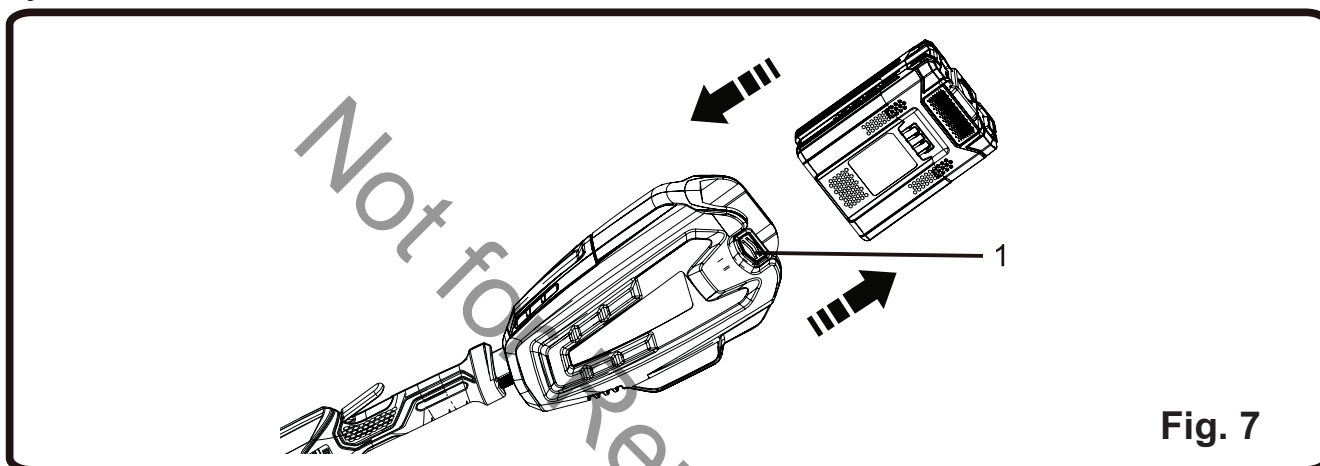
FUNCIONAMIENTO

INSTALACIÓN DE LA BATERÍA (VÉASE LA FIGURA 7.)

- Alinee las nervaduras salientes (2) de la batería con los surcos del puerto de la batería de la desbrozadora.
- Antes de empezar el trabajo, asegúrese de que la batería esté encajada en su lugar, bien colocada y asegurada a la desbrozadora.

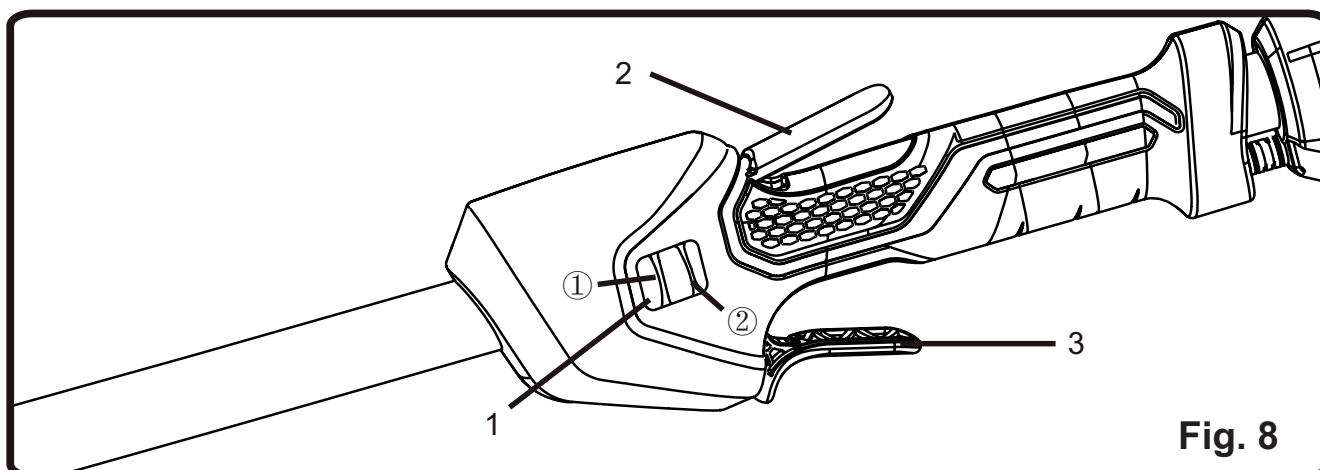
EXTRACCIÓN DE LA BATERÍA (VÉASE LA FIGURA 7.)

- Pulse el botón de liberación de la batería (1) en la parte trasera de la batería y retire la batería de la herramienta.



ARRANCAR Y DETENER LA RECORTADORA (VÉASE LA FIGURA 8.)

- Deslice el interruptor de velocidad (1) a la velocidad de operación deseada. Deslice el interruptor de velocidad a la posición 1 para velocidad baja o a la posición 2 para velocidad alta.
- Presione la palanca de bloqueo (2). Apriete el interruptor de gatillo (3) para encenderla.
- Para detener la recortadora, suelte el gatillo.



FUNCIONAMIENTO

FUNCIONAMIENTO DE LA CABEZA MO TRIZ (VEA LA FIGURA 9.)

⚠ ADVERTENCIA

Siempre sujete la recortadora de hilo lejos de su cuerpo, manteniendo un espacio entre ambos. El contacto con el cabezal de corte de la recortadora de hilo durante su operación puede causar lesiones personales graves.

Siga las siguientes recomendaciones a manejar la recortadora de hilo:

- Sujete la recortadora con la mano derecha en el mango trasero y la izquierda en el delantero.
- Sujete firmemente la unidad con ambas manos durante la operación.
- Se recomienda sujetar la recortadora en una posición cómoda, con el mango trasero a la altura de la cadera aproximadamente.
- Corte la hierba alta desde arriba hacia abajo. Esto evitará que la hierba se enrolle alrededor del alojamiento del eje y del cabezal del brazo, lo que puede causar daños por calentamiento excesivo.

Si la hierba se enrolla en el cabezal del hilo:

- Desenchufe la recortadora de hilo.
- Quite la hierba.

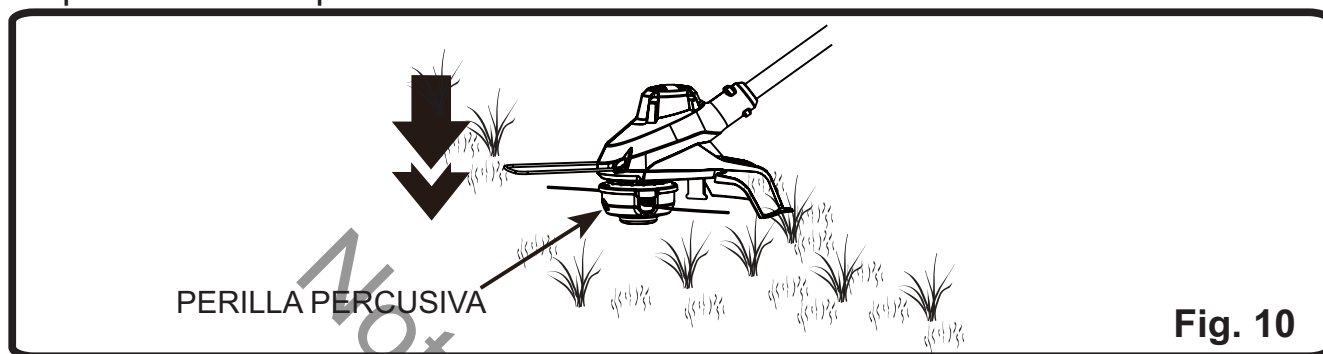


Fig. 9

FUNCIONAMIENTO

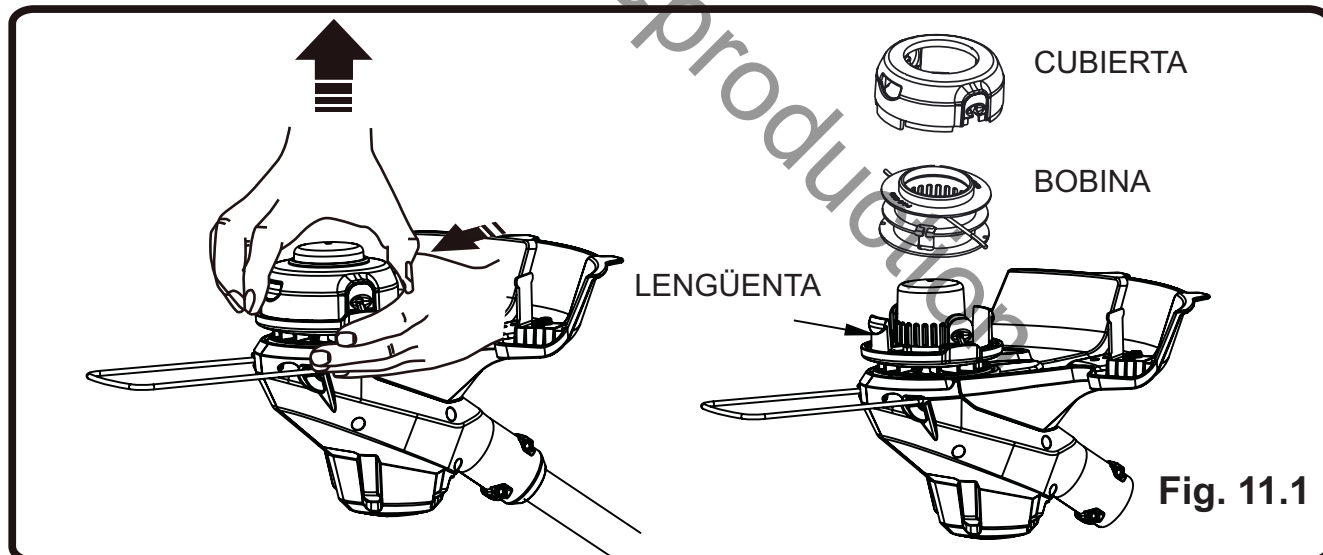
AVANCE DE LIGNE DE COUPE (VEA LA FIGURA 10.)

Mientras la orilladora está en funcionamiento, el hilo de corte se desgasta y se acorta. Esta podadora está equipada con avance de hilo por contacto, lo que permite que el hilo salga cuando se golpea suavemente el suelo con el cabezal mientras rota. La hoja de corte recortará el hilo para mantener la amplitud de corte precisa.



REEMPLAZO DEL CARRETE (VEA LA FIGURA 11.1-11.7)

1. Extraiga el módulo de batería.
2. Presione las lengüetas en un lado del cabezal de corte y remueva la cubierta y bobina.



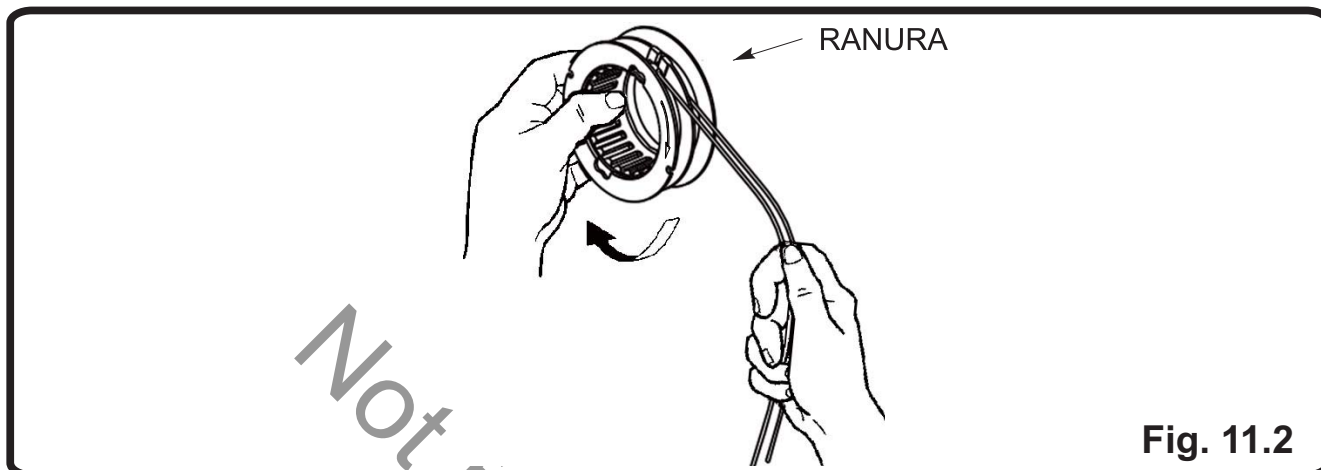
3. Remueva la línea restante.
4. Limpie la suciedad y desechos de todas las piezas. Cambie la bobina si ésta se encuentra gastada o dañada.
5. Sustituya el carrete prebobinado o sustituya el hilo usando hilo de 15 pies (4.6 metros) de 0.080 pulgadas (2.0 mm) de diámetro.

⚠ ADVERTENCIA

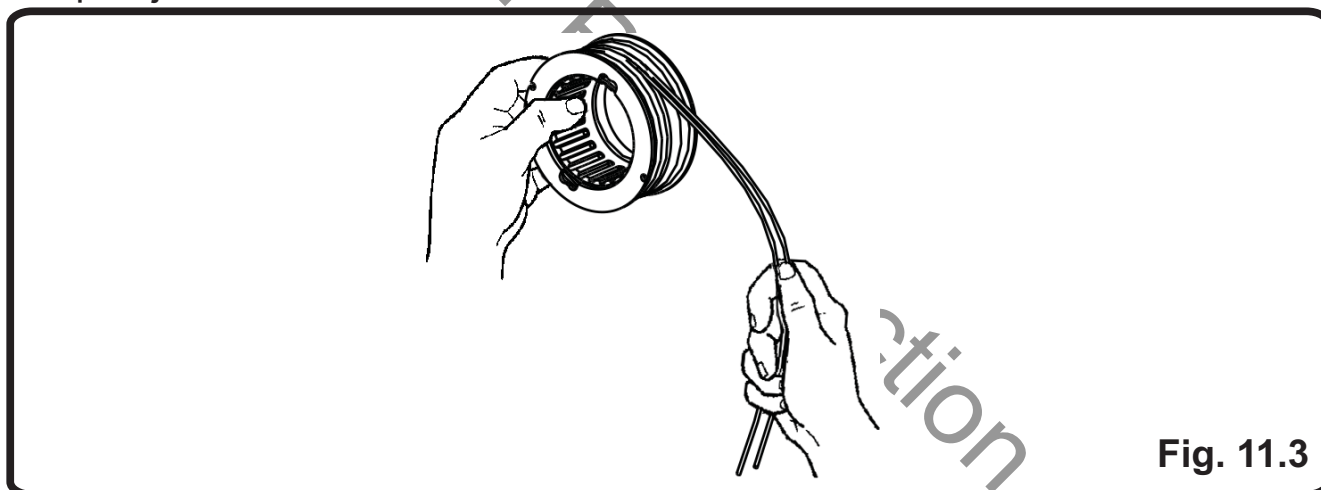
Nunca use alambre, cuerda, hilo, etc., los cuales pueden romperse y convertirse en proyectiles peligrosos.

FUNCIONAMIENTO

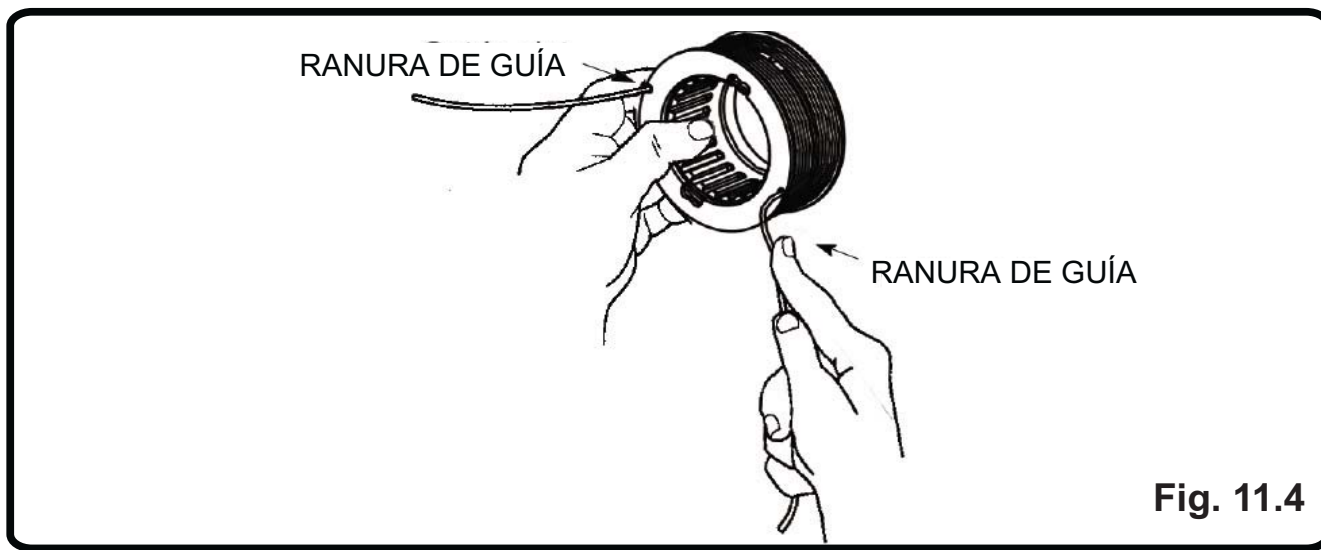
6. Cuando instale línea nueva en una bobina ya existente, sujete la bobina según lo demostrado en la ilustración abajo.
7. Doble la línea en el punto medio y inserte la parte doblada de la línea en la ranura que se encuentra en el reborde central de la bobina. Asegúrese que la línea encaje firmemente en su lugar.



8. Con sus dedos inserte ambas líneas, enrolle las líneas firmemente al parejo alrededor de la bobina en dirección a la derecha.

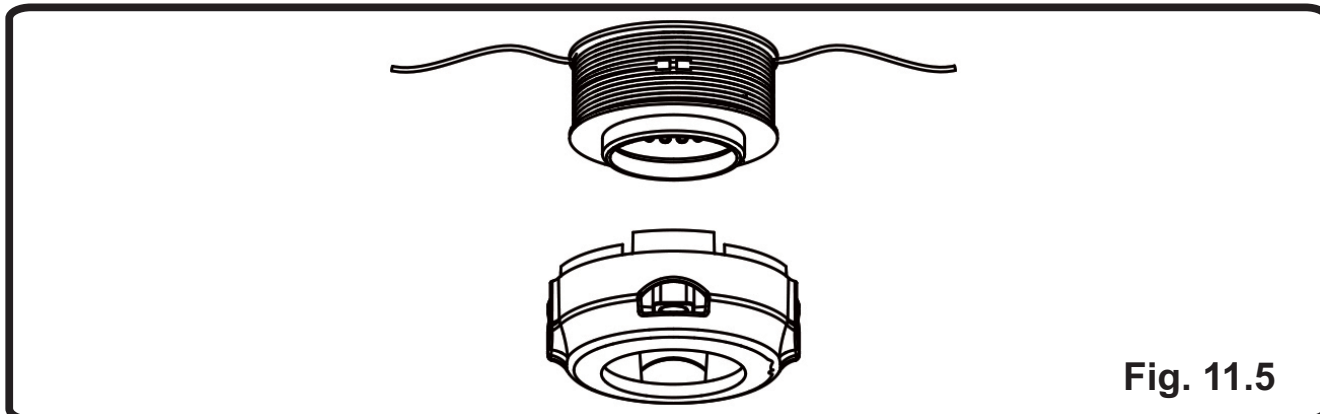


9. Posicione los hilos en las ranuras.

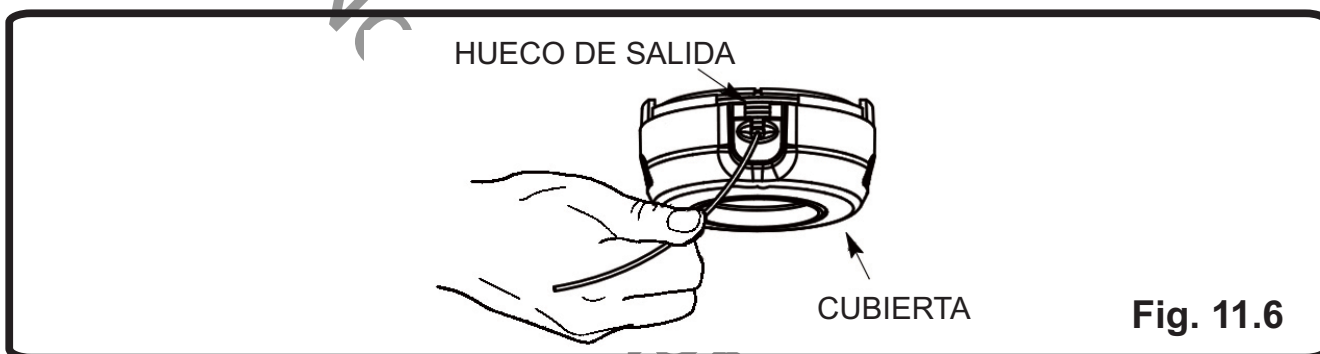


FUNCIONAMIENTO

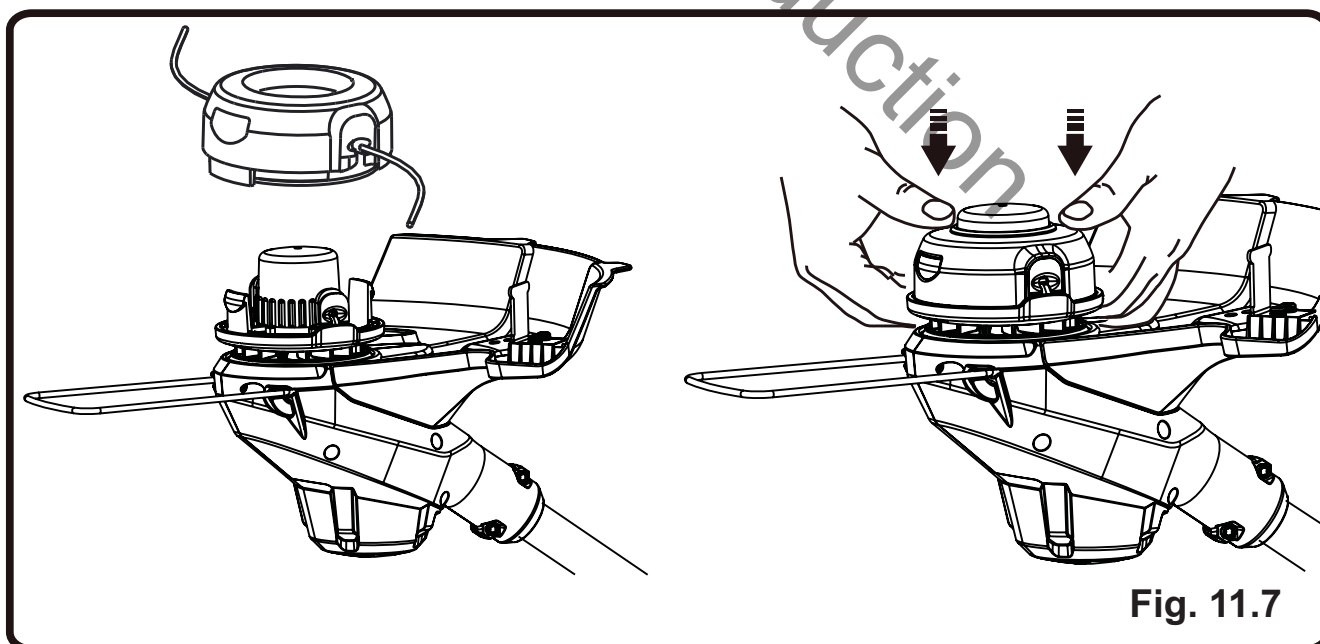
10. Coloque el carrete en la tapa como se muestra a continuación.



11. Introduzca la punta de las líneas dentro de los huecos de salida en la cubierta.



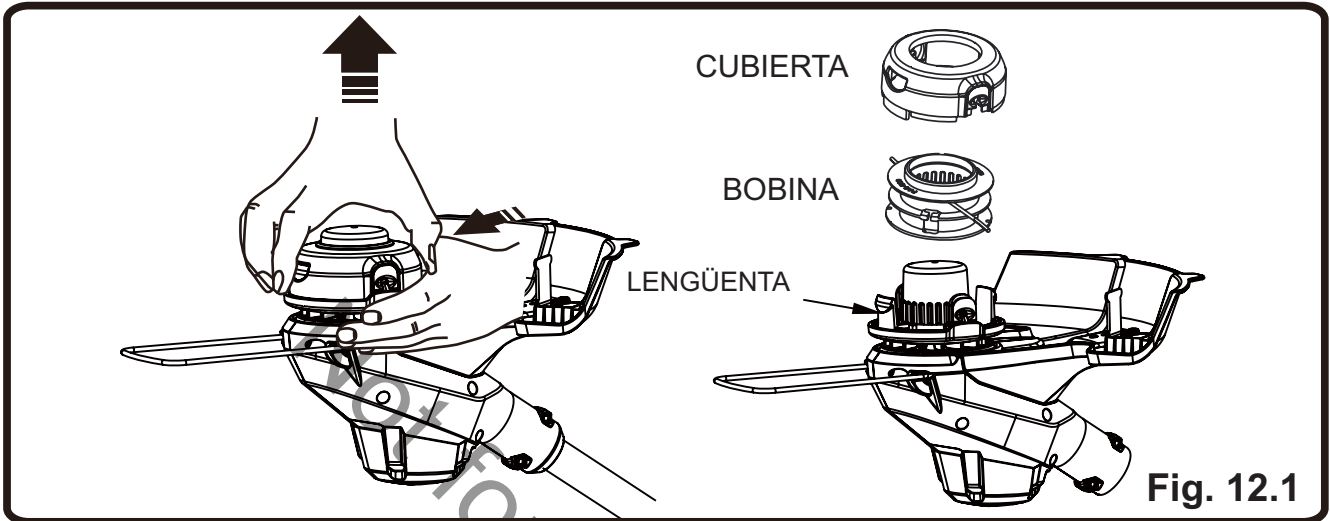
12. Coloque la bobina y la cubierta en el cabezal de corte. Empuje hasta que la cubierta.



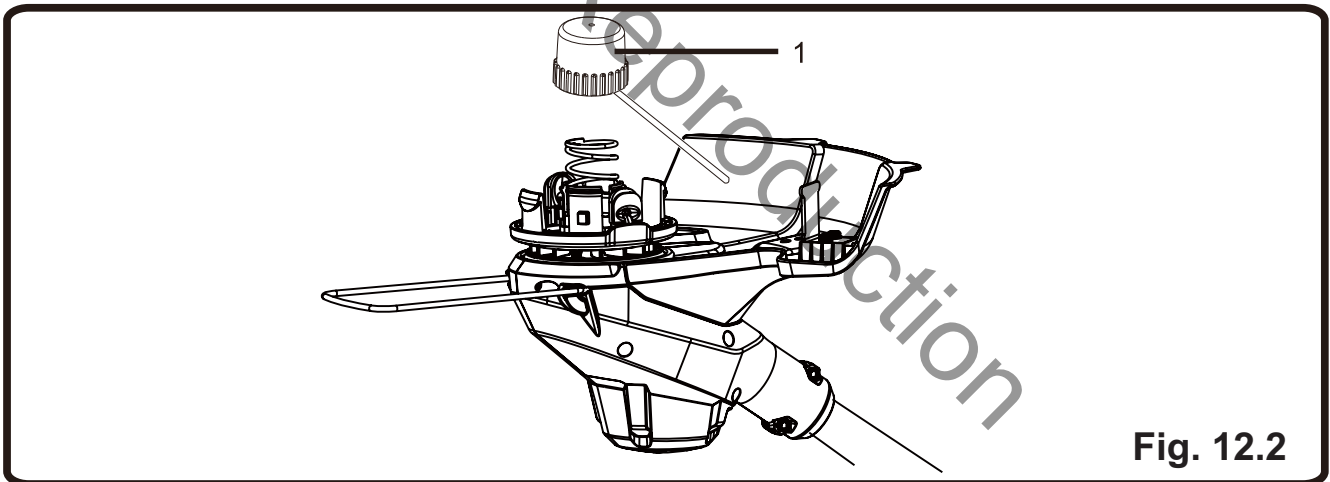
FUNCIONAMIENTO

SUSTITUYENDO LA PERRILLA (VEA LA FIGURA 12.1-12.3)

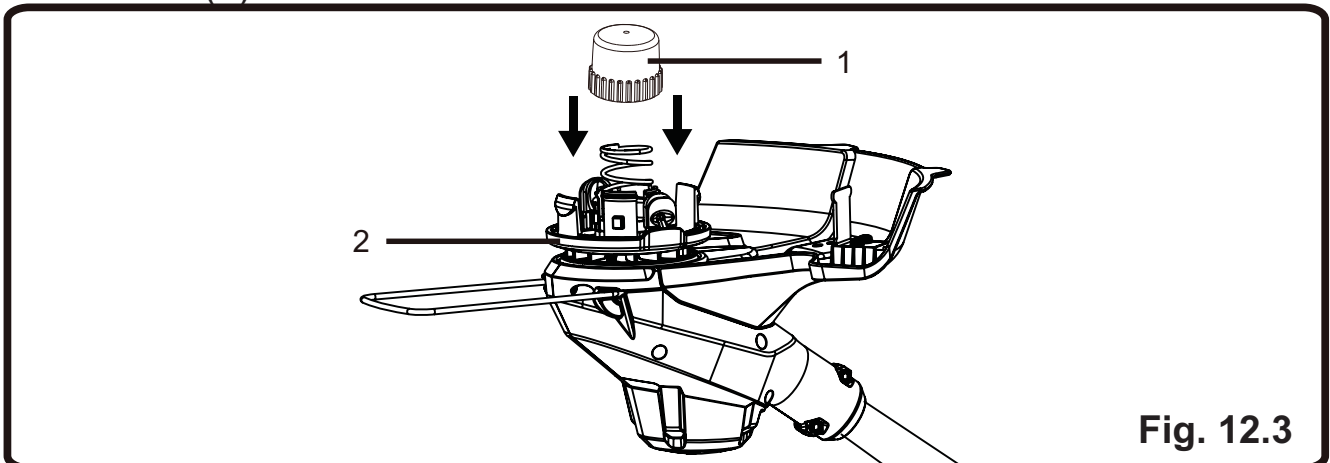
1. Retire el paquete de baterías.
2. Presione las lengüetas en un lado del cabezal de corte y remueva la cubierta y bobina.



3. Mientras sujeta la perrilla percutiva (1), use una barra metálica (no incluida) para sacarla a la fuerza.



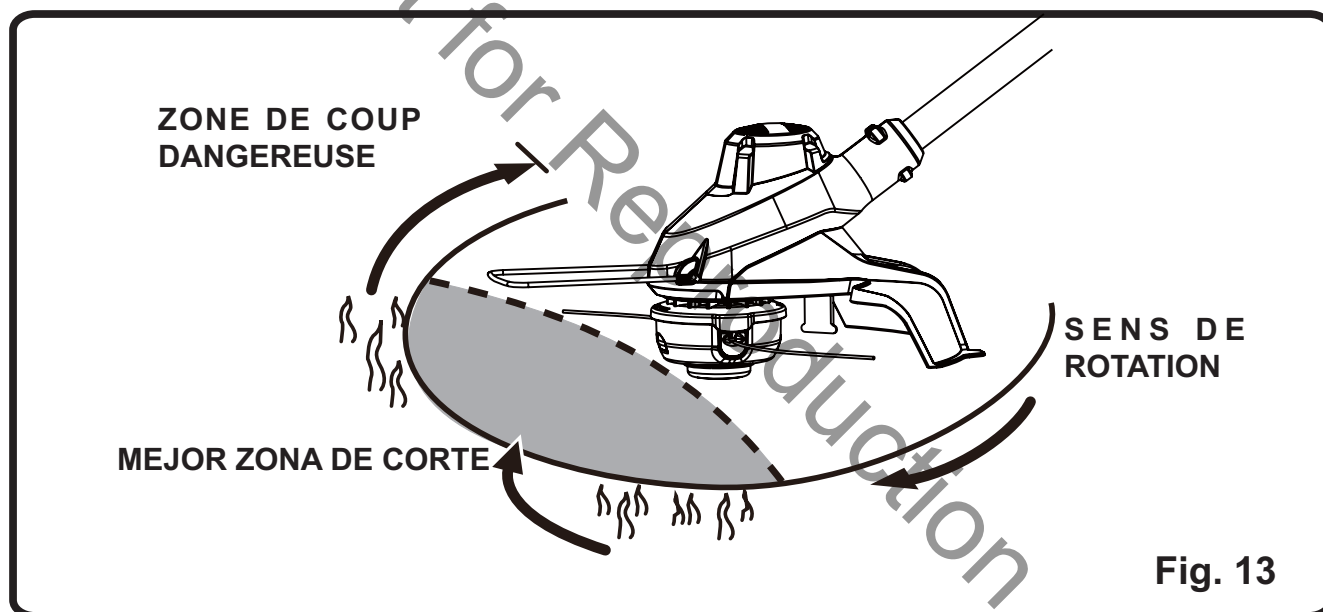
4. Sustituya con una nueva perrilla (1). Presiona la perrilla en la carcasa del carrete (2).



FUNCIONAMIENTO

CORTAR PUNTAS (VEA LA FIGURA 13.)

- Mantenga la recortadora inclinada hacia la zona a cortar; esta es la mejor área de corte.
- La recortadora corta al pasar el aparato de derecha a izquierda. Esto evitará que se arrojen desechos al operador. Evite cortar en la zona peligrosa mostrada en la figura 13.
- Utilice la punta del hilo para cortar; no fuerce la cabeza para hilo de corte en la hierba no cortada.
- Las vallas de madera o alambre provocan un desgaste excesivo del hilo y rotura. Las paredes de piedra y ladrillo, los bordillos y la madera pueden desgastar rápidamente el hilo.
- Evite los árboles y arbustos. La corteza de árbol, las molduras de madera, los frisos y las estacas de las vallas pueden ser dañados fácilmente por el hilo.



MANTENIMIENTO

MANTENIMIENTO GENERAL

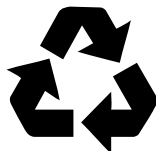
Evite el uso de disolventes para limpiar las piezas de plástico. La mayoría de los plásticos son susceptibles a diversos tipos de disolventes comerciales y pueden dañarse por su uso. Utilice paños limpios para eliminar la suciedad, el polvo, los restos de lubricante y grasa, etc.

Guarde siempre la máquina limpia y en un recinto seco, con la batería cargada.

Tareas de mantenimiento	Cada vez que usa la máquina	Cada dos horas	Cada semana	Después del uso	Cada año o cuando sea necesario
Inspección visual de los sistemas de seguridad de la herramienta (distanciador, protección visual, carcasa de seguridad)	x			x	
Compruebe el funcionamiento del sistema de seguridad del gatillo	x				
Compruebe que las cuchillas están afiladas y afílelas en caso necesario	x	x			x
Inspección visual de la herramienta (no presenta fracturas ni deformaciones)	x	x			x
Compruebe el nivel de batería	x				
Inspección de la herramienta por un distribuidor autorizado					x

ELIMINACIÓN DE BATERÍAS SIN DAÑO PARA EL AMBIENTE

Las baterías utilizadas en este cortasetos contienen los siguientes materiales tóxicos y corrosivos: Litio-ión, un material tóxico.



⚠ ADVERTENCIA

Todos los materiales tóxicos deben ser desechados de forma específica para evitar contaminar el medio ambiente. Antes de desechar una batería de litio-ión estropeada o gastada, póngase en contacto con el organismo encargado del tratamiento de residuos más próximo o con su agencia de protección medioambiental para informarse y solicitar instrucciones específicas. Recicle las baterías en un centro o dispositivo adecuado, autorizado para el tratamiento del Litio-ión.

⚠ ADVERTENCIA

Si la batería se agrieta o se rompe, con o sin escapes, no la recargue ni la utilice. Deséchela y sustitúyala por una batería nueva. ¡NO INTENTE REPARARLA! Para evitar lesiones y riesgos de incendio, explosión o shock eléctrico, así como dañar el medio ambiente:

- Cubra los terminales de la cubierta de la batería con cinta adhesiva resistente.
 - NO intente retirar ni destruir componentes de la batería.
 - NO intente abrir la batería.
 - Si aparece una grieta, los electrolitos que se liberan son corrosivos y tóxicos. NO permita que la solución entre en contacto con los ojos o la piel y no la ingiera.
 - NO tire estas baterías a la basura.
 - NO las incinere.
 - NO las ponga donde puedan acabar en el basurero o en una línea de tratamiento de residuos municipal.
 - Llévelas a un centro oficial de reciclaje o recogida de desechos.
-

SOLUCIÓN DE PROBLEMAS

Problema	Cause	Solución
La recortadora de hilo no puede arrancarse cuando el botón de bloqueo del gatillo está pulsado.	1. La batería no está instalada en la recortadora.	1. Instale la batería en la recortadora.
	2. No hay contacto eléctrico entre la recortadora y la batería.	2. Retire la batería, compruebe el contacto y vuelva a instalar la batería.
	3. La batería está agotada.	3. Cargue la batería.
	4. La palanca de desbloqueo y el gatillo no se han apretado a la vez.	4. Mantenga apretada la palanca de desbloqueo y, a continuación, apriete el gatillo para arrancar la recortadora de hilo.
La recortadora de hilo se detiene durante el corte.	1. La protección no está montada en la recortadora, causando un corte demasiado largo y la sobrecarga del motor.	1. Retire la batería y monte la protección en la recortadora.
	2. Se utiliza una línea de corte gruesa.	2. Use solo líneas de corte de nylon con 0,080" de diámetro o inferior.
	3. El eje del motor o el cabezal de corte están atascados con hierba.	3. Detenga la recortadora, retire la batería y retire la hierba del eje del motor y del cabezal de corte.
	4. El motor se ha sobrecargado.	4. Retire el cabezal de corte de la hierba. El motor volverá a funcionar tan pronto como se haya eliminado la sobrecarga. Al cortar, acerque y aleje el cabezal de corte de la hierba y no elimine más de 20 cm de longitud en un solo corte.
	5. La batería o la recortadora de hilos están demasiado calientes.	5. Deje que la batería o la desbrozadora se enfríen hasta que alcancen la temperatura ambiente.
	6. La batería está desconectada de la herramienta.	6. Vuelva a instalar la batería.
	7. La batería está agotada.	7. Cargue la batería.

SOLUCIÓN DE PROBLEMAS

Problema	Causa	Solución
Las líneas no avanzan.	1. Los hilos están soldados entre sí.	1. Lubrique con espray de silicona.
	2. No hay suficiente hilo en el carrete.	2. Instale cable extra. Consulte el apartado "Sustitución de la línea", que aparece anteriormente en este manual.
	3. Los hilos son demasiado cortos.	3. Saque hilo manualmente presionando la perilla percutora.
	4. El hilo está enredado en el carrete.	4. Extraiga el hilo de la bobina y vuelva a enrollarla. Consulte el apartado "Sustitución de la línea", que aparece anteriormente en este manual.
El hilo sigue rompiéndose.	1. Uso incorrecto de la recortadora.	1. Sólo corta con la punta del hilo, evite las piedras, muros y otros objetos duros. Alargue el hilo de forma regular para mantener el ancho del corte.
La hierba se enrolla alrededor del cabezal de corte y de la cubierta del motor.	1. Cortar hierba alta a nivel del suelo.	1. Corte la hierba alta de arriba abajo, eliminando no más de 20 cm en cada pasada para evitar que se enrolle.
El hilo no corta bien.	1. La cuchilla/hilo de corte al borde de la protección no está afilada.	1. Afile la cuchilla/hilo de corte con una lima o reemplácela con una nueva cuchilla.

GARANTÍA LIMITADA

Briggs & Stratton se compromete a que, durante el período de garantía especificado a continuación, reparará o sustituirá, de manera gratuita, cualquier pieza con defectos de material o fabricación, o de ambos. El comprador deberá correr con los gastos de transporte del producto que envíe para reparación o reemplazo al amparo de esta garantía. Esta garantía tiene vigencia y está sujeta a las condiciones que se establecen más adelante. Para el servicio de garantía, busque el distribuidor de servicio autorizado más cercano en el mapa localizador de distribuidores en www.SNAPPER.com. El comprador debe ponerse en contacto con el distribuidor autorizado y poner el producto a disposición del mismo para que lo inspeccione y lo pruebe.

No existe otra garantía expresa. Las garantías implícitas, inclusive aquellas de comerciabilidad y de idoneidad para un propósito en particular, se limitan al período de garantía expresado abajo, o hasta los límites permitidos por la ley. La responsabilidad por daños fortuitos o indirectos está excluida en tanto lo permita la ley. Algunos países o estados no permiten limitar la duración de una garantía implícita ni excluir o limitar los daños secundarios y derivados. Por tanto, es posible que las limitaciones y exclusiones mencionadas no sean aplicables en su caso. Esta garantía le otorga derechos legales específicos, y también podría tener otros que varían según el estado o el país.**

PERÍODO DE GARANTÍA

	Uso particular	Uso comercial
Equipo	36 meses	Ninguno
Cargador de batería y la batería	24 meses	Ninguno

** En Australia, nuestros productos están cubiertos por garantías ineludibles de acuerdo con la legislación sobre consumo de este país. Tiene derecho a un recambio o devolución en caso de avería grave y a una compensación por las posibles pérdidas o daños razonables previsibles. Asimismo, si la avería no es grave, tiene derecho a que se reparen o reemplacen los productos si no tienen una calidad aceptable. Para servicio de garantía, localice al distribuidor de servicio autorizado más cercano con nuestro mapa en BRIGGSandSTRATTON.COM, llame al 1300 274 447, o bien, envíe un correo electrónico a salesenquires@briggsandstratton.com.au, o escriba a Briggs & Stratton Australia Pty Ltd, 1 Moorebank Avenue, NSW, Australia, 2170.

El período de garantía comienza en la fecha de compra por el primer consumidor o usuario comercial final. «Uso particular» significa uso doméstico residencial personal por un consumidor minorista. «Uso comercial» significa los demás usos, lo que incluye el uso para propósitos comerciales, generar ingresos o alquiler. Una vez que el producto se haya usado para fines comerciales, de ahí en adelante se considerará uso

GARANTÍA LIMITADA

comercial a efectos de esta garantía.

A fin de garantizar una pronta y completa cobertura de la garantía, registre su producto en el sitio web que se muestra arriba o en www.onlineproductregistration.com.

Guarde el recibo comprobante de compra. Si no se proporciona una prueba de la fecha de compra inicial en el momento se solicitar servicio de garantía, se utilizará la fecha de fabricación del producto para determinar el período de garantía. No es necesario el registro del producto para obtener el servicio de garantía de los productos Briggs & Stratton.

ACERCA DE LA GARANTÍA

El servicio de garantía solo está disponible a través de los distribuidores de servicio autorizados de Snapper. La mayor parte de las reparaciones bajo garantía se atienden de manera rutinaria, pero algunas veces las solicitudes de reparaciones bajo garantía podrían no ser apropiadas. Esta garantía SÓLO cubre defectos en materiales y mano de obra. No cubre los daños ocasionados por un uso no adecuado o un mal uso, un mantenimiento o unas reparaciones inadecuadas ni el desgaste y la rotura propios del uso.

Uso no adecuado y mal uso: el uso correcto y para el que se ha diseñado este equipo se describe en el manual del usuario. Si el producto no se usa de la manera que se describe en el manual del usuario o si el producto se usa después de que haya resultado dañado, quedará anulada la garantía. La garantía queda anulada si se ha borrado el número de serie del producto o el producto ha sido modificado de alguna manera, o si el producto presenta indicios de haber sido usado incorrectamente, por ejemplo, daños producidos por un impacto o daños producidos por corrosión química/agua.

Mantenimiento o reparaciones inadecuadas: el producto debe someterse a labores de mantenimiento de acuerdo con los procedimientos y plazos establecidos en el manual del usuario, y para el mantenimiento y las reparaciones se deben utilizar piezas Briggs & Stratton originales o equivalentes. La garantía no cubre los daños ocasionados por la falta de mantenimiento o el uso de piezas no originales.

Desgaste normal: al igual que otros dispositivos mecánicos, el producto está sujeto a desgaste incluso si se realiza un mantenimiento correcto. Esta garantía no cubrirá la reparación cuando el uso normal haya agotado la vida útil de una pieza o del aparato. Los accesorios y elementos de mantenimiento como filtros, correas, hojas cortantes y pastillas de freno (excepto las pastillas de freno de los motores) no están cubiertos por la garantía por sus propias características, a no ser que la causa sea un defecto del material o de fabricación.

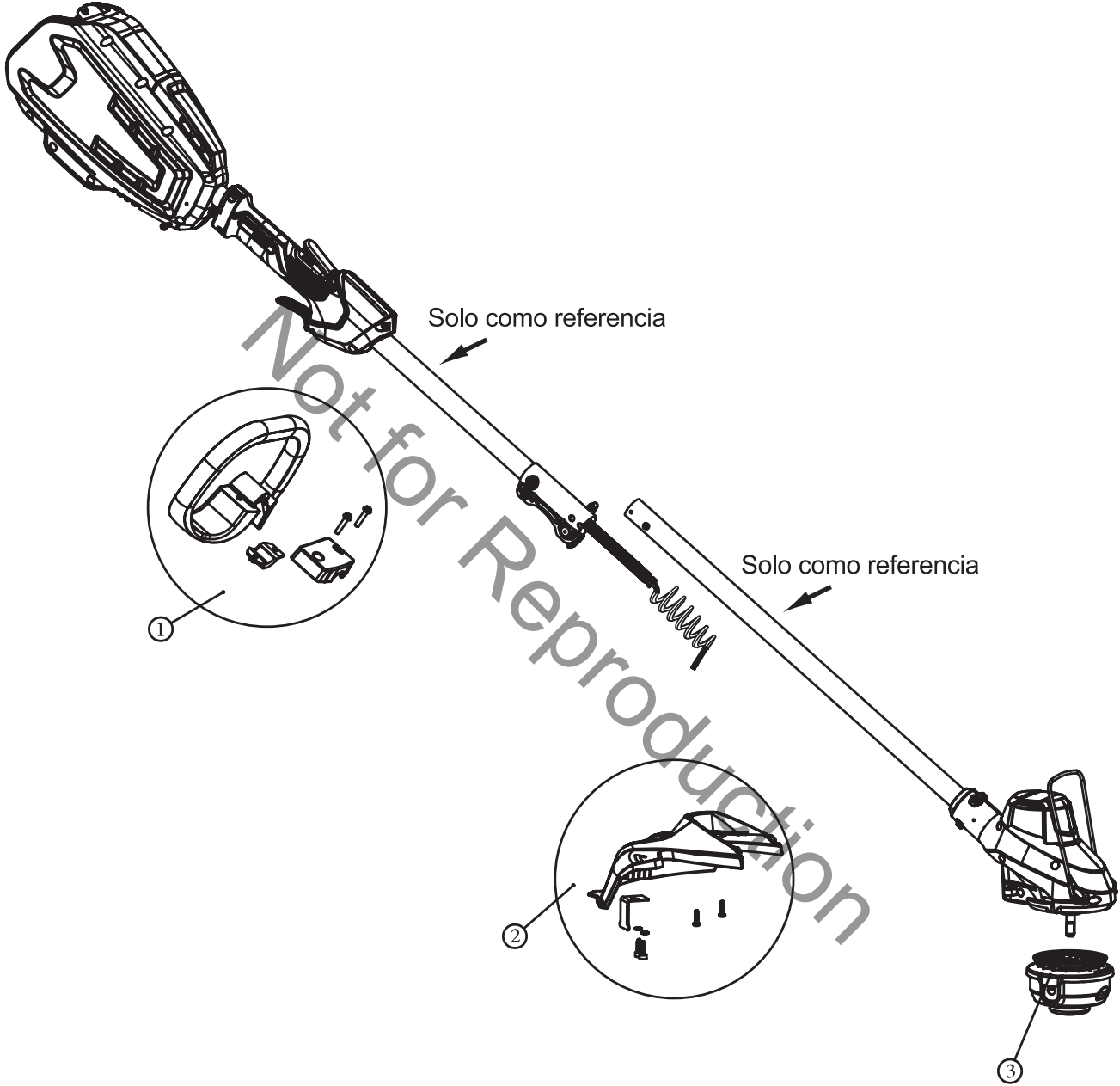
Otras exclusiones: esta garantía excluye cualquier daño provocado por

GARANTÍA LIMITADA

accidente, uso incorrecto, modificaciones, alteraciones, mantenimiento incorrecto, congelación o deterioro producido por productos químicos. También excluye cualquier complemento o accesorio que no se incluyera en el paquete original del producto. Esta garantía no incluye equipos o motores usados, reacondicionados, de segunda mano o de demostración. Esta garantía excluye los fallos debidos a hechos fortuitos y a otros acontecimientos de fuerza mayor que escapan al control del fabricante.

Not for Reproduction

PLANO DE DESPIECE



LISTA DE PIE ZAS

N.º Pieza	N.º Modelo	Descripción	Cant.
1	84001696	CONJUNTO DEL MANGO AUXILIAR	1
2	84001697	GUARDIA MONTAJE	1
3	84001698	CONJUNTO DEL CABEZAL DE CORTE	1

Not for Reproduction

Not for Reproduction



Copyright © Briggs & Stratton Corporation
Milwaukee, WI, 53201-0702. All rights reserved.

LÍNEA GRATUITA LÍNEA DE AYUDA: 1-800-317-7833

80077949 Rev: 01 (02-05-19)