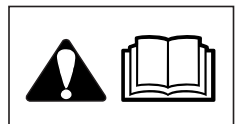


- en** Operator's Manual
- es** Manual del operador
- fr** Manuel d'utilisation



# Table of Contents:

<b>General Information</b> .....	<b>3</b>
<b>European Office Contact Information</b> .....	<b>3</b>
<b>European Union (EU) Stage V (5): Carbon Dioxide (CO2) Values</b> .....	<b>3</b>
<b>Operator Safety</b> .....	<b>3</b>
Save these instructions.....	3
Slope Identification Guide.....	3
Safety Symbols and Meanings.....	4
Safety Alert Symbol and Signal Words.....	4
Safety Decals.....	5
Safety Messages.....	6
<b>Features and Controls</b> .....	<b>6</b>
Control Symbols and Meanings.....	6
Electronic Maintenance Display.....	7
<b>Operation</b> .....	<b>8</b>
Operating Area.....	8
Safety Interlock System Tests.....	9
Engine.....	9
Tractor Operation.....	12
<b>Maintenance</b> .....	<b>14</b>
Maintenance Schedule.....	14
Tire Pressure Check.....	15
Battery Maintenance.....	15
Mower Blade Stop Time.....	15
Change the Engine Oil.....	15
Air Filter Assembly (Cartridge with pre-cleaner).....	17
Push the Tractor By Hand.....	17
Check the Spark Plugs.....	18
Towed Equipment.....	18
Clean the Mower Deck (if equipped).....	18
<b>Storage</b> .....	<b>19</b>
<b>Troubleshooting</b> .....	<b>20</b>
Troubleshooting the Rider.....	20
Troubleshooting the Mower.....	20
<b>Specifications</b> .....	<b>21</b>
Specifications Chart .....	21
Power Ratings Disclaimer.....	21

# General Information

For additional information, refer to the *Customer Contact Guide* included with the unit.

The illustrations in this document are representative. Your unit might look different from the images shown. *LEFT* and *RIGHT* are referenced from the operator's position.

The use of Important and Note in the text shows clarifications, exceptions, or alternatives to the procedures.

All language translations of this document derive from the initial English source file.



Recycle all packaging, used oil, and batteries according to applicable government regulations.

# European Office Contact Information

For questions regarding European emissions, please contact our European office at:

**Max-Born-Straße 2, 68519 Viernheim, Germany.**

# European Union (EU) Stage V (5): Carbon Dioxide (CO<sub>2</sub>) Values

Carbon dioxide values of Briggs & Stratton® EU Type-Approval Certificate engines can be found by entering CO<sub>2</sub> into the search window on [BriggsandStratton.com](http://BriggsandStratton.com).

# Operator Safety

## Save these instructions

**Save these instructions for future reference.** This manual contains safety information to make you aware of the hazards and risks associated with the product and how to avoid them. It also contains important instructions that must be obeyed during the initial set-up, operation, and maintenance of the product.

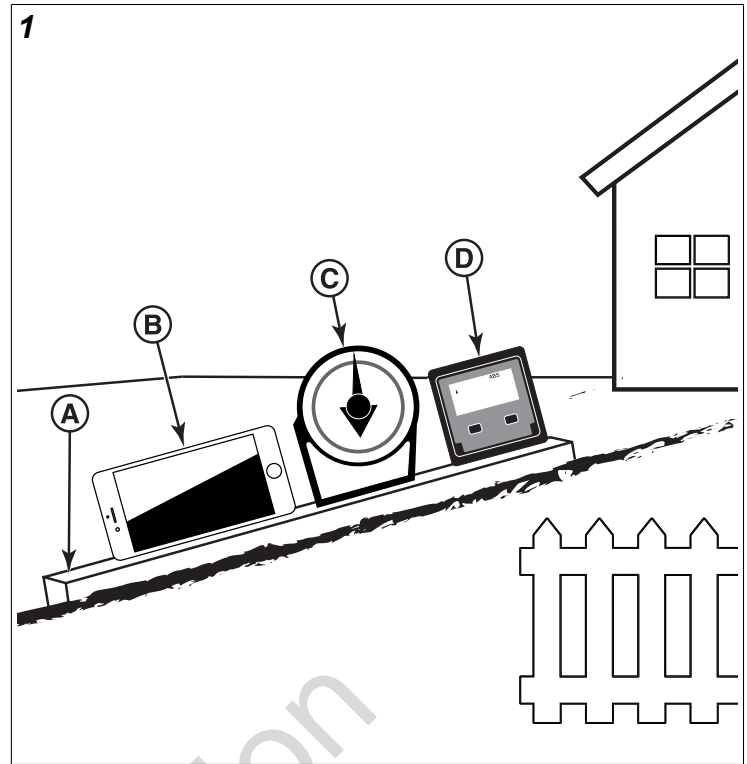
This product is designed and intended for cutting well maintained grass and is not intended for other purposes.

It is important that you read and understand these instructions before you attempt to start or operate this equipment.

Make sure that you are fully familiar with the controls and the correct use of the product.

Know how to stop the unit and disengage controls quickly.

# Slope Identification Guide



**How to measure the slope of a lawn surface with a smartphone or an angle finder tool:**














## WARNING




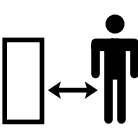
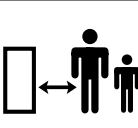


Do not operate on slopes greater than 10 degrees.

1. Use a straight edge at least two (2) feet long (A, Figure 1). A 2x4 or a straight piece of metal works well.
2. Angle finder tools.
  - a. **Use your smartphone:** Many smartphones (B, Figure 1) have an inclinometer (angle finder) located under the compass application (app). Or, search an app store for an Inclinometer app.
  - b. **Use angle finder tools:** Angle finder tools (C and D, Figure 1) are available at local hardware stores or online (also called inclinometer, protractor, angle meter, or angle gauge). Dial type (C) or digital type (D) work, others may not. Read and obey the user instructions supplied with the angle finder tool.
3. Put the two (2) feet long straight edge along the steepest part of the lawn slope. Put the board up and down the slope.
4. Lay the smartphone or angle finder tool on the straight edge and read the angle in degrees. This is the slope of your lawn.


*Note:* A paper gauge slope identification guide is included in your product literature packet and is also available to download from the manufacturer's website.


## Safety Symbols and Meanings


Symbol	Meaning
	Safety information about hazards that can result in personal injury.
	Read and understand the Operator's Manual before you operate or service the unit.
	Remove the key and read the Operator's Manual before you service the unit.
	Stop
	Fire hazard
	Explosion hazard
	Shock hazard
	Toxic fume hazard
	Moving parts
	Wear eye protection.
	Hazardous chemical

Symbol	Meaning
	Hot surface hazard
	Amputation hazard
	Thrown objects hazard
	Keep a safe distance
	Keep children away
	Amputation hazard
	Roll-over hazard

## Safety Alert Symbol and Signal Words

The safety alert symbol  identifies safety information about hazards that can result in personal injury. A signal word (**DANGER**, **WARNING**, or **CAUTION**) is used with the alert symbol to indicate the likelihood and the potential severity of injury. In addition, a hazard symbol may be used to represent the type of hazard.

 **DANGER** indicates a hazard which, if not avoided, **will** result in death or serious injury.

 **WARNING** indicates a hazard which, if not avoided, **could** result in death or serious injury.



**CAUTION** indicates a hazard which, if not avoided, **could** result in minor or moderate injury.

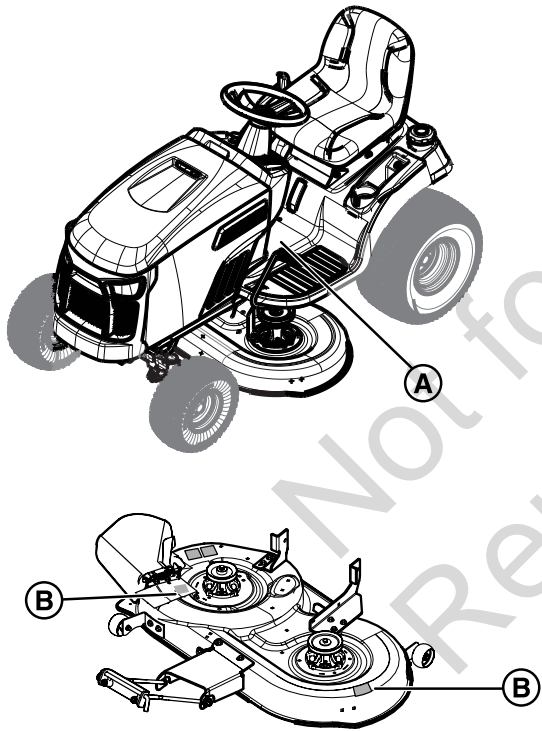
**NOTICE** indicates information considered important but not hazard-related.

## Safety Decals

Before you operate the unit, read the safety decals. Compare Figure 2 to the decals shown in the table that follows. The cautions and warnings are for your safety. To avoid personal injury or damage to the unit, understand and obey the safety decals.

**IMPORTANT:** If the safety decals become worn or damaged, and cannot be read, order replacement decals from your local dealer.

2



B	<div style="background-color: red; color: white; text-align: center; padding: 5px;"><b>⚠ DANGER</b></div> <p style="text-align: center;"><b>Amputation and thrown objects hazard</b></p> <ul style="list-style-type: none"> <li>• Keep hands and feet away from deck.</li> <li>• Do not operate mower unless discharge chute or entire grass catcher is in its proper place.</li> </ul> <p style="text-align: right; font-size: small;">7101665</p>
C	<p style="text-align: center; font-weight: bold;">1730202</p>
D	

A

<b>⚠ DANGER</b>		
<p><b>Amputation hazard</b> Rotating blades cut off arms and legs.</p> <ul style="list-style-type: none"> <li>• Stop the mower when children or others are near.</li> <li>• Do not carry riders (especially children) even with the blades off. They may fall off or return for another ride when you are not expecting it.</li> <li>• Look down and behind before and while backing.</li> </ul>	<p><b>Loss of control and roll-over hazard</b> Operating on slopes can be hazardous and cause loss of control and roll-overs.</p> <ul style="list-style-type: none"> <li>• Avoid sudden turns or rapid speed changes.</li> <li>• Reduce speed and use extreme caution on slopes.</li> <li>• Go up and down slopes, NOT across.</li> <li>• Do not operate on slopes over 10 degrees.</li> <li>• If machine stops while going uphill, stop the blades and back down slowly.</li> </ul>	<p><b>Water, retaining walls and drop-off hazards</b> Wheels dropping over edges may result in serious injury, death or drowning.</p> <ul style="list-style-type: none"> <li>• Do NOT operate near water, retaining walls or drop-offs.</li> <li>• Give yourself a minimum of two mower widths of clearance around these hazards.</li> </ul>
<b>⚠ WARNING</b>		
<p><b>Avoid serious injury or death</b> Read the operator's manual before using this product.</p> <ul style="list-style-type: none"> <li>• Do NOT operate this machine unless you are trained.</li> <li>• Know the location and function of all controls.</li> <li>• Keep safety devices (guards, shields, switches, etc.) in place and working.</li> <li>• Remove objects that could be thrown by the blade.</li> </ul>	<p><b>Fire hazard</b> Gasoline is flammable. Yard debris is combustible.</p> <ul style="list-style-type: none"> <li>• Allow engine to cool for at least 3 minutes before refueling.</li> <li>• Keep unit cleaned of debris.</li> <li>• This equipment may create sparks that can start fires around dry vegetation. A spark arrester may be required. Contact local fire agencies for regulations relating to fire prevention requirements.</li> </ul>	<ul style="list-style-type: none"> <li>• Be sure blade(s) and engine are stopped before placing hands or feet near blade(s).</li> <li>• When leaving machine, shut off, remove key, and set parking brake.</li> </ul>

This spark ignition system complies with the Canadian standard ICES-002.

## Safety Messages



### WARNING

Read, understand, and obey all the instructions and warnings in the Operator's Manual and on the machine, engine, and attachments before you operate this machine. Failure to obey the safety instructions in this manual and on the equipment could result in death or serious injury.

- Only let operators who are responsible, trained and familiar with the instructions and physically capable to operate the machine.
- Do not operate the machine while under the influence of alcohol or drugs.
- Wear safety glasses and closed toe footwear.
- Do not put hands or feet near rotating parts or under the machine. Keep clear of the discharge opening at all times.
- Keep the machine in good working order. Replace worn or damaged parts.
- Be careful when you service the blades. Wrap the blades or wear gloves. Replace damaged blades. Do not repair or alter the blades.
- Use full width ramps when you load and unload a machine for transport.
- See attachment or accessory for proper wheel weights or counterweights.
- To help prevent fires, keep machine free of grass, leaves, or other unwanted material. Clean remaining oil or fuel spillage. Remove fuel soaked debris and let the machine to cool before storage.



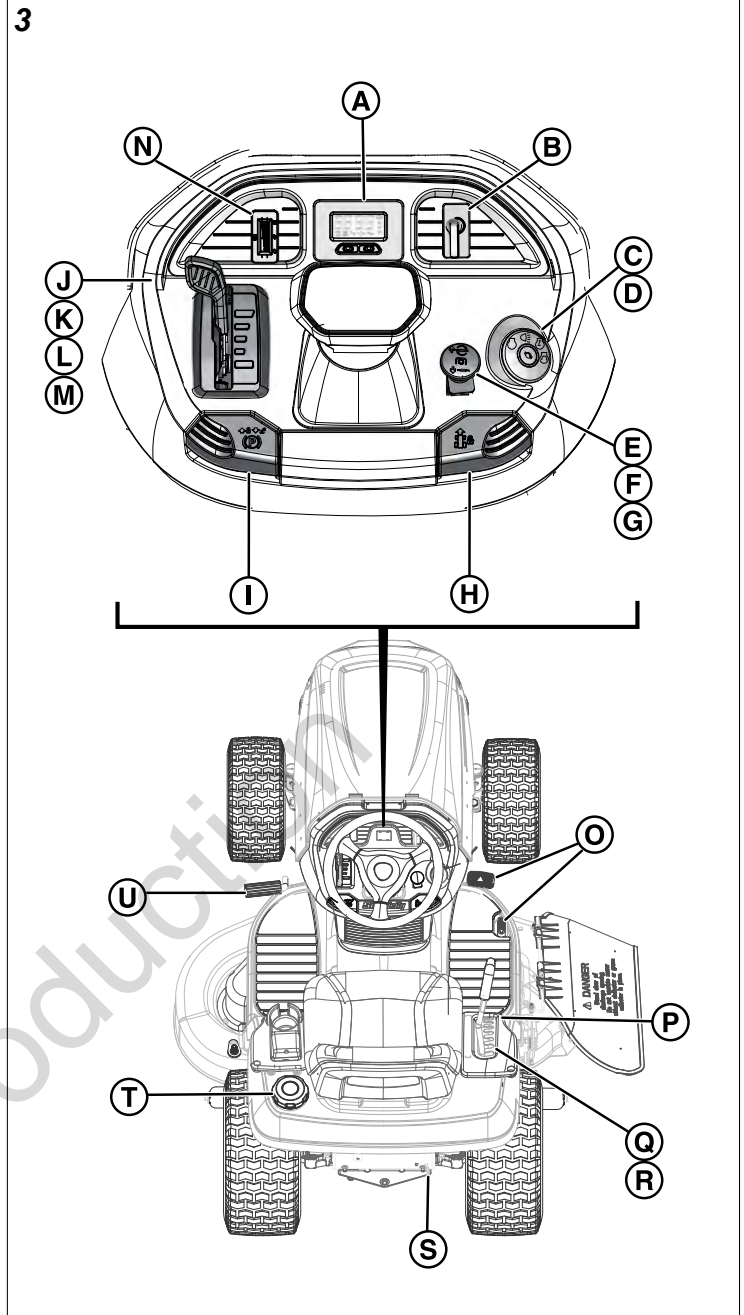
### WARNING

Running engine gives off carbon monoxide, an odorless, colorless, poison gas. Breathing carbon monoxide can cause headaches, fatigue, dizziness, vomiting, confusion, seizures, nausea, fainting or death.

- Operate equipment ONLY outdoors.
- Keep exhaust gas from entering a confined area through windows, doors, ventilation intakes, or other openings.





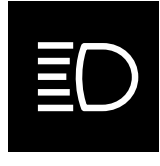
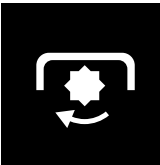
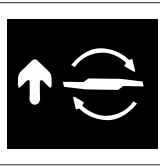
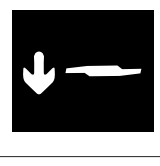

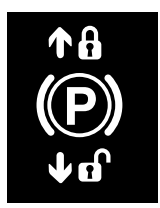
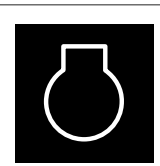
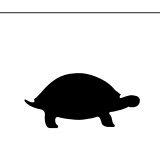

## Features and Controls


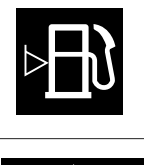
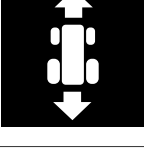

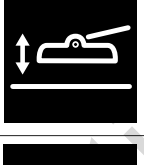
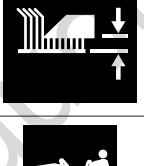
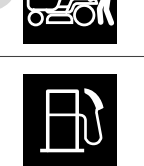
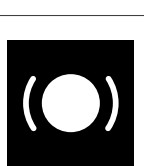

Make sure that the callout letters in Figure 3 agree with the features and controls listed in the table that follows.



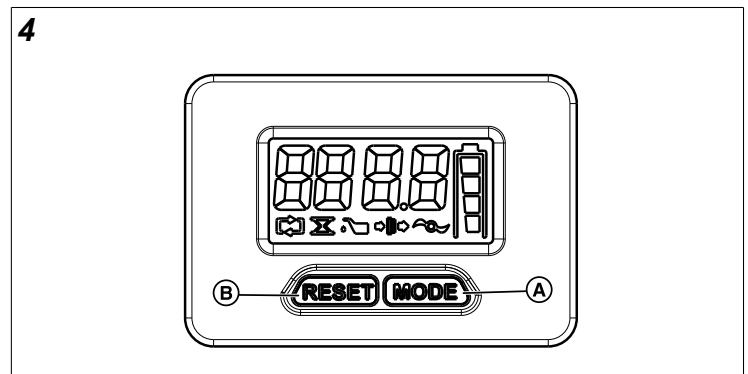
## Control Symbols and Meanings

A		Electronic Dash Panel
B		Reverse Mowing Option (RMO)

C		Ignition Switch  OFF  ON  START
D		Headlight Switch
E		Power Take-Off (PTO)
F		Power Take-Off (PTO), Engage Blades
G		Power Take-Off (PTO), Disengage Blades
H		Cruise Control
I		Parking Brake Control
J		Throttle Control
K		Throttle Control SLOW Position
L		Throttle Control FAST Position

M		Choke
N		Fuel Level Gauge (if equipped)
O		Ground Speed Pedals
P		Seat Adjustment Lever
Q		Mower Lift Lever
R		Height-of-Cut Switch
S		Transmission Release Lever
T		Fuel Tank
U		Brake Pedal

## Electronic Maintenance Display



*Note:* When you start the unit, the Total Hours show on the maintenance display. The total hours will set to 0 after 999.9.

### Display Total Hours, Trip Hours, and Clock

1. Push MODE (A, Figure 4) for less than 1 second to show the Trip Hours.
2. Push RESET (B) for more than 3 seconds to set the Trip Hours to 0.
3. Push MODE for less than 1 second to show the Clock. See **Set the Clock** section.
4. Push MODE for less than 1 second to show the Total Hours.

### Set the Clock

1. Push MODE (A, Figure 4) for more than 3 seconds. The hours will flash on the display.
2. Push RESET to adjust the hours.
3. Push MODE for less than 1 second to save the setting. The minutes will flash on the display.
4. Push RESET to adjust the minutes.
5. Push MODE for less than 1 second to save the setting.

### Maintenance Display

**OIL CHANGE** - This message shows after 50 hours of operation. After you change the oil and filter, push MODE two times to show OIL HRS. Then, push and hold MODE for 3 seconds to set the timer to zero. The display will automatically clear.

**AIR FILTER CHECK** - This message shows after 25 hours of operation. After you clean or change the air filter, push MODE three times to show AIR FILTER HRS. Then, push and hold MODE for 3 seconds to set the timer to zero. The display will automatically clear.

**CHANGE BLADES** - This message shows after 100 hours of operation. After you change the blade, hold the RESET button for more than 3 seconds to set the timer to zero. The display will automatically clear.

**LOW BATTERY** - This message shows when a battery voltage problem occurs. The display will automatically clear after servicing of the battery.

*Note:* The LOW BATTERY message shows on the display before all other messages. Do the servicing of the battery first. Then, do a check for other maintenance messages.

## Operation

Read the *Operator Safety* section before you operate this machine. Make sure that you know the controls and how to stop the unit.

### Operating Area

1. Know the area where you plan to operate the mower.
2. Make sure that the area is free of unwanted material that could be picked up by the blades and thrown.



This machine is capable of throwing objects that could injure bystanders or cause damage to buildings.

- Do not operate the machine without the entire grass catcher, discharge chute, or other safety devices in place and functioning properly. Check frequently for signs of wear or deterioration and replace as needed.
- Clear the operating area of any objects which could be thrown by or interfere with the operation of the machine.

3. Move the rider mower outside, before you start the engine.



Engines give off carbon monoxide, an odorless, colorless, poison gas. Breathing carbon monoxide can cause nausea, fainting, or death.

4. Note all slopes and drop-offs.



Operating on slopes, or near water, or drop-offs can result in loss of control and roll-over.

- Mow up and down slopes not across.
- Reduce speed and be careful on slopes.
- Do not operate on slopes over 10 degrees, which is a 3.5 foot rise over a 20 foot length.
- Give yourself a minimum of two mower widths of clearance around water, retaining walls, or drop-offs.
- Avoid mowing wet grass.
- Do not operate machine under any condition where traction, steering, or stability is in question. Tires could slide even if the wheels are stopped.
- Avoid starting and stopping on slopes.
- Avoid making sudden changes in speed or direction.
- Make turns slowly and gradually.
- Be careful while operating machine with a grass catcher or other attachment(s). They can affect the stability of the machine.
- Follow the manufacturer's recommendation for weight limits for towed equipment and towing on slopes. See *Towed Equipment*.

5. Make sure that the operating area is clear of bystanders, especially children.



This rider mower is capable of amputating hands and feet.

- Stop the mower when children or others are near.
- Keep children out of the operating area and under the watchful care of a responsible adult.
- Do not carry passengers, especially children, even with the blade(s) shut off. Children can fall off and be seriously injured or interfere with the safe machine operation. Children who have been given rides in the past can suddenly appear in the mowing area for another ride and be run over or backed over by the machine.
- Use care when approaching blind corners, shrubs, trees, or other objects that obscure vision.

## Safety Interlock System Tests

This machine is equipped with a Safety Interlock System. Do not attempt to bypass or tamper with the switches and devices.



If the machine does not pass a safety test, do not operate the machine. See an Authorized Dealer.

### Test 1 — Engine will NOT crank if:

- Power Take Off (PTO) switch is ON, OR
- Brake pedal is NOT fully pushed down (parking brake OFF)

### Test 2 — Engine will crank and start if:

- PTO switch is OFF, AND
- Brake pedal is fully pushed down (parking brake ON).

### Test 3 — Engine will SHUT OFF if:

- Operator rises off seat with PTO engaged, OR
- Operator rises off seat with brake pedal NOT fully pushed down (parking brake OFF).

### Test 4 — Mower Blade Stopping Time Check

The mower blades and mower drive belt will come to a complete stop in five seconds after the PTO switch is OFF. If the mower drive belt does not stop in five seconds, see an Authorized Service Dealer.

### Test 5 — Reverse Mowing Option (RMO) Check

- The engine will STOP when reverse travel is attempted with the PTO switched ON and the Reverse Mowing Option (RMO) not activated.
- The RMO light will come on when the RMO has been activated.



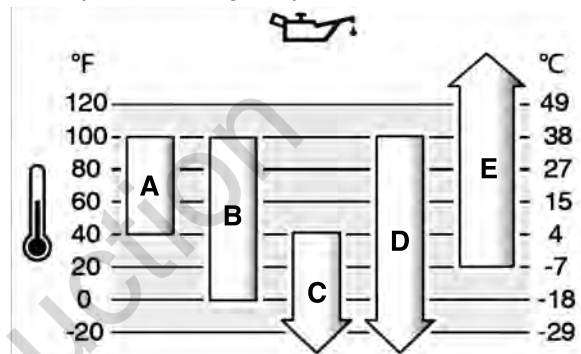
Mowing in reverse can be hazardous to bystanders. Tragic accidents can occur if the operator is not alert to the presence of children. DO NOT activate the Reverse Mowing Option (RMO) if children are present. Children are often attracted to the machine and the mowing activity.

## Engine

### Check and Add Engine Oil

Use Briggs & Stratton<sup>®</sup> Warranty Certified oils for best performance. Other high-quality detergent oils are acceptable if classified for service SF, SG, SH, SJ or higher. Do not use special additives.

Outdoor temperatures determine the proper oil viscosity for the engine. Use the chart to select the best viscosity for the outdoor temperature range expected.

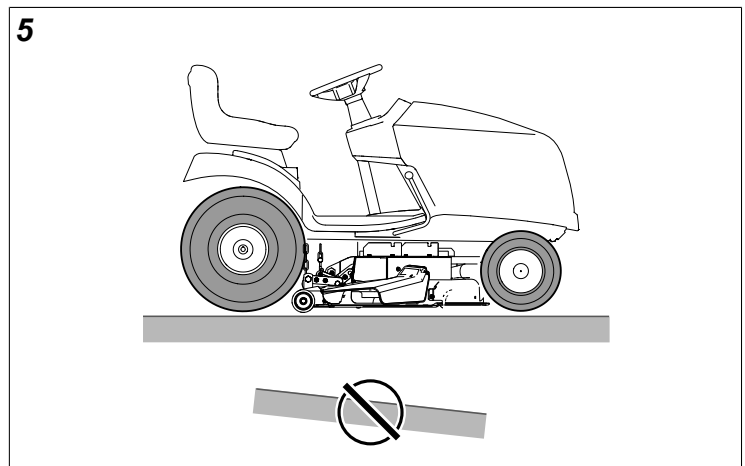


<b>A</b>	SAE 30 - Below 40 °F (4 °C) the use of SAE 30 will result in hard starting.
<b>B</b>	10W-30 - Above 80 °F (27 °C) the use of 10W-30 can cause increased oil consumption. Check oil level more frequently.
<b>C</b>	5W-30
<b>D</b>	Synthetic 5W-30
<b>E</b>	Vanguard <sup>®</sup> Synthetic 15W-50

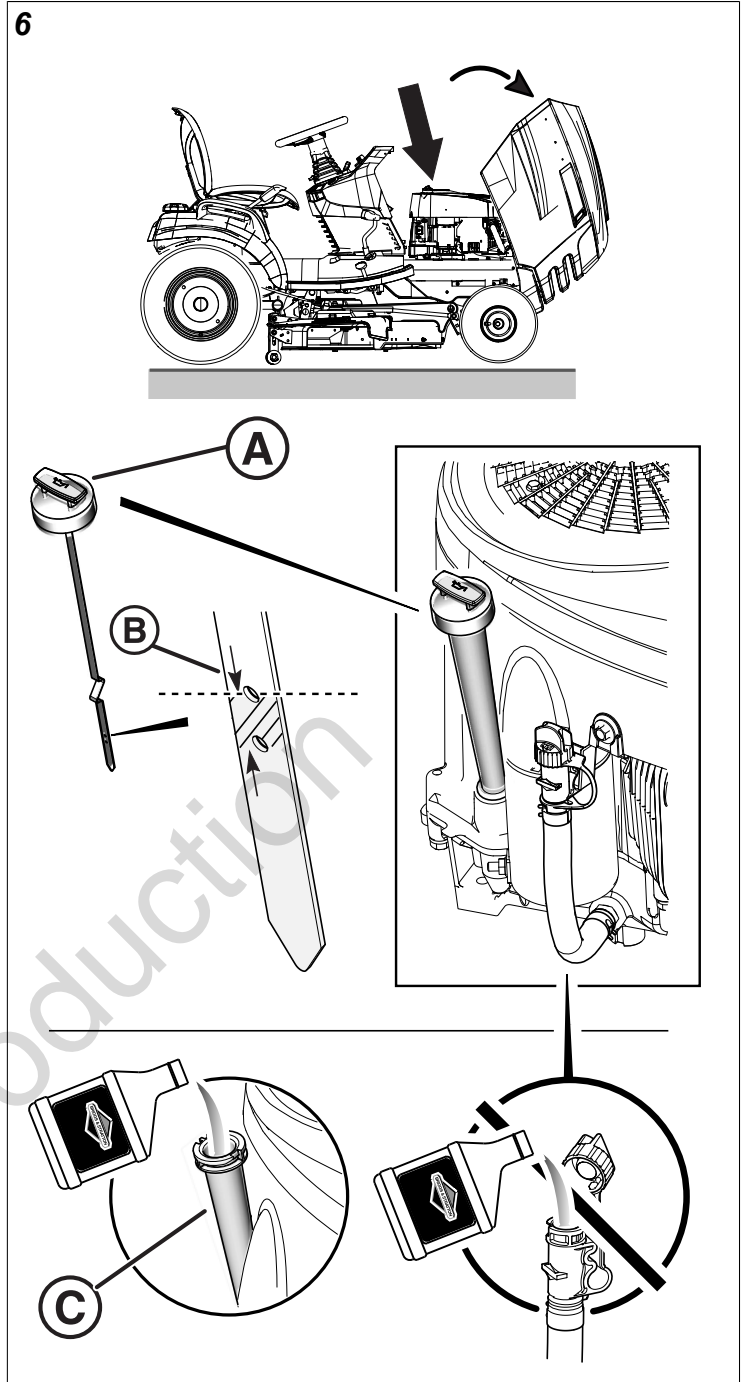
\*Below 40°F (4°C) the use of SAE 30 will result in hard starting.

\*\*Above 80°F (27°C) the use of 10W-30 can cause increased oil consumption.

1. Put the unit on a level surface as shown in Figure 5.



2. Stop the engine and remove the key. Make sure that the oil fill area is clean.
  3. Remove the dipstick (A, Figure 6). Remove the remaining oil from the dipstick.
  4. Install and tighten the dipstick.
  5. Remove the dipstick again, and check the oil level.
  6. Make sure that the oil level is at the top of the FULL mark (B) on the dipstick.
  7. If the oil level is FULL, install and tighten the dipstick.
  8. If the oil level is LOW, add oil into the oil fill tube (C).
- Note: DO NOT add oil at the quick oil drain (if equipped).*
9. Wait one minute, and check the oil level again.
  10. Install and tighten the dipstick.



### Oil Pressure

If the oil pressure is too low, a pressure switch (if equipped) will either stop the engine or activate a warning device on the equipment. If this occurs, stop the engine and check the oil level with the dipstick.

If the oil level is below the ADD mark, add oil until it touches the FULL mark. Start the engine and check for the correct oil pressure before you operate the machine.

If the oil level is between the ADD and FULL marks, **DO NOT start the engine**. Contact an Authorized Service Dealer to correct the oil pressure.

### Fuel Recommendations

Fuel must meet these requirements:



- Clean, fresh, unleaded gasoline.
- A minimum of 87 octane/87 AKI (91 RON). High altitude use, see below.
- Gasoline with up to 10% ethanol (gasohol) is acceptable.

**NOTICE** Do not use unapproved gasolines, such as E15 and E85. Do not mix oil in gasoline or modify the engine to run on alternate fuels. Use of unapproved fuels will damage the engine components, which will not be covered under warranty.

To protect the fuel system from gum formation, mix a fuel stabilizer into the fuel. See **Storage**. All fuel is not the same. If start or performance problems occur, change fuel providers or brands. This engine is certified to operate on gasoline. The emissions control system for carbureted engines is EM (Engine Modifications). The emissions control systems for engines with electronic fuel injection are ECM (Engine Control Module), MPI (Multi Port Injection), and if equipped an O2S (Oxygen Sensor).

### High Altitude

At altitudes over 5,000 feet (1524 meters), a minimum 85 octane/85 AKI (89 RON) gasoline is acceptable.

For carbureted engines, high altitude adjustment is required to maintain performance. Operation without this adjustment will cause decreased performance, increased fuel consumption, and increased emissions. Contact a Briggs & Stratton Authorized Service Dealer for high altitude adjustment information. Operation of the engine at altitudes below 2,500 feet (762 meters) with the high altitude adjustment is not recommended.

For Electronic Fuel Injection (EFI) engines, no high altitude adjustment is necessary.

### Add Fuel

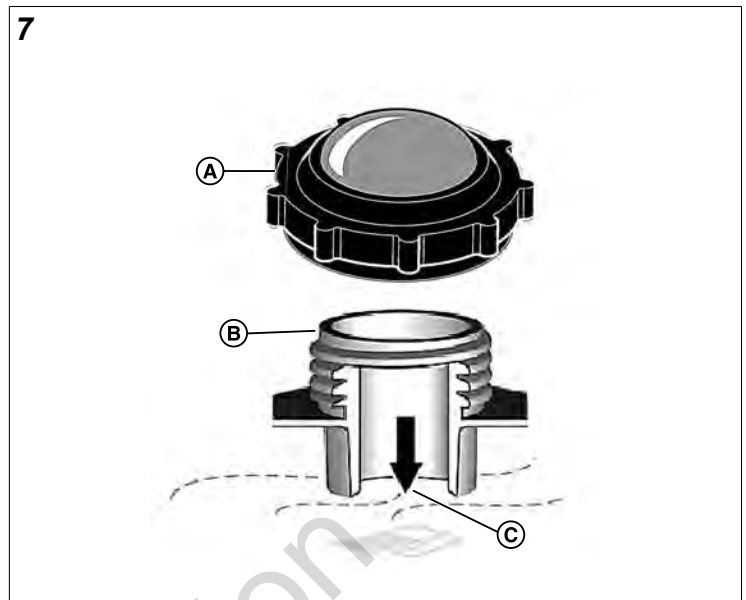


Fuel and its vapors are extremely flammable and explosive. Always handle fuel with extreme care. Failure to observe these safety instructions can cause fire or explosion which could result in severe burns or death.

### When Adding Fuel

- Stop the engine and let the engine cool at least 3 minutes before you remove the fuel cap.
- Extinguish all cigarettes, cigars, pipes, and other sources of ignition.
- Fill fuel tank outdoors or in well-ventilated area.
- Do not overfill fuel tank. To allow for expansion of the fuel, do not fill above the bottom of the fuel tank neck.
- Keep fuel away from sparks, open flames, pilot lights, heat, and other ignition sources.
- Check fuel lines, tank, cap, and fittings frequently for cracks or leaks. Replace if necessary.
- If fuel spills, wait until it evaporates before you start the engine and avoid creating any source of ignition.
- Use only an approved fuel container.

1. Remove unwanted material from the fuel cap area.
2. Remove the fuel cap (A, Figure 7).
3. Fill the fuel tank (B) with fuel. DO NOT fill above the bottom of the fuel tank neck (C).
4. Install the fuel cap.



### Start the Engine



Fuel and its vapors are extremely flammable and explosive. Fire or explosion can cause severe burns or death.

### When you start the engine:

- Make sure that spark plug, muffler, fuel cap, and air cleaner (if equipped) are installed correctly.
- Do not crank the engine with spark plug removed.
- If the engine floods, set the choke (if equipped) to the OPEN/RUN position, move the throttle (if equipped) to the FAST position and crank until engine starts.



Engines give off carbon monoxide, an odorless, colorless, poison gas.

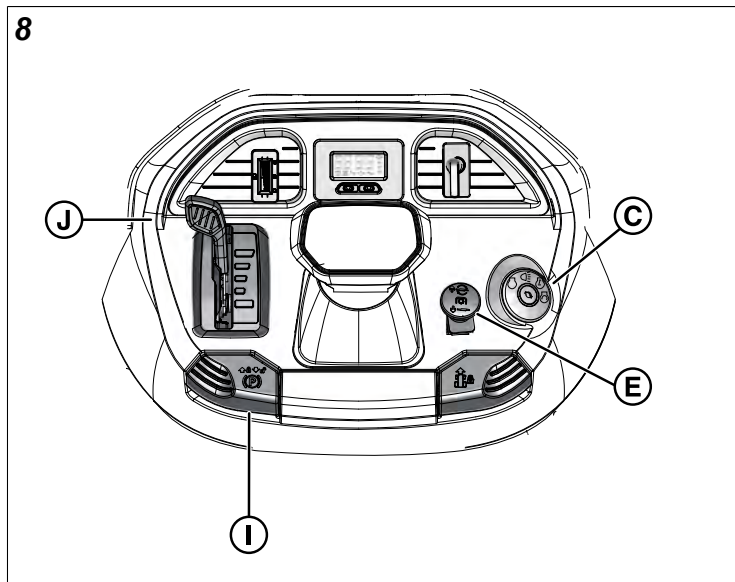
Breathing carbon monoxide can cause nausea, fainting, or death.

Fire or explosion can cause severe burns or death.

- Start and operate the engine outdoors.
- Do not start or operate the engine in enclosed area, even if doors or windows are open.

1. Check the oil level. See *Check and Add Engine Oil*.
2. Make sure that the equipment drive controls are disengaged.
3. Sit in the seat and lift UP the seat adjustment lever to lock the seat in position.

- Engage the parking brake control (I, Figure 8). Push the brake pedal, pull OUT the parking brake control, and release the brake pedal.



- Push the PTO switch (E) to disengage it.
- Set the throttle/choke control (J) to the CHOKE position (if equipped).
- Put the key into the ignition switch (C) and turn it to the START position. For push-button start models, push the button two times and hold until the engine starts.
- After the engine starts, move the throttle/choke control to half speed. Make sure that the engine is ON for a minimum of 30 seconds. This will warm the engine.
- Set the throttle/choke control to the FAST position.

*Note:* In the event of an emergency, turn the ignition switch to the OFF position. This will STOP the engine. See *Stop the Engine*.

*Note:* If the engine does not start after 2 or 3 attempts, contact an Authorized Service Dealer.

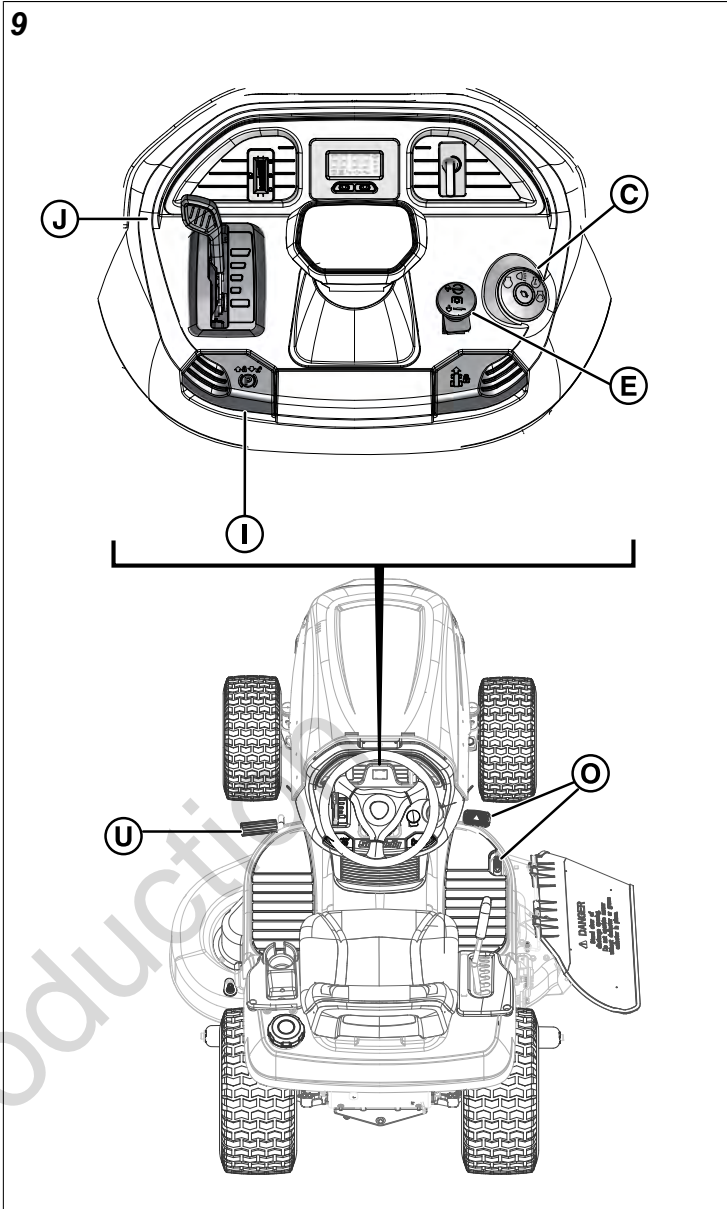
## Stop the Engine



Fuel and its vapors are extremely flammable and explosive. Fire or explosion can cause severe burns or death.

- Do not choke the carburetor to stop the engine.

- Release the ground speed pedals (O, Figure 9).



- Disengage the Power Take-Off (PTO) switch (E). Wait for all moving parts to stop.
- Move the throttle control (J) to the SLOW position.
- Turn the ignition key switch (C) to the OFF position. Remove the key.
- Engage the parking brake control (I). Push the brake pedal (U), pull UP on the parking brake control, and release the brake pedal.

In the event of an emergency, turn the ignition switch to the OFF position. This will STOP engine.

## Tractor Operation

- Sit in the seat and adjust the seat so that you can comfortably reach all the controls. See *Features and Controls*.
- Engage the parking brake:
  - Fully push DOWN on the brake pedal.
  - Pull UP on the parking brake control.



- C. Release the brake pedal.
- 3. Disengage the PTO.
- 4. Start the engine. See *Start the Engine*.
- 5. Disengage the parking brake:
  - A. Fully push DOWN on the brake pedal.
  - B. Push IN the parking brake control.
  - C. Release the brake pedal.
- 6. Push DOWN on the speed control pedal to move forward. Release the pedal to STOP.

*Note:* The further down the pedal is pushed the faster the tractor will move.

- 7. Stop the tractor:
  - A. Release the speed control pedals.
  - B. Set the parking brake.
  - C. STOP the engine. See *Stop the Engine*.

## Cruise Control

- 1. Push DOWN on the ground speed pedal (O, Figure 3). See *Features and Controls*.
- 2. When you reach the desired speed, pull UP on the cruise control. The cruise control will lock in one of its five locking positions.
- 3. Push DOWN on the brake pedal (U, Figure 3) or on the ground speed pedal to disengage the cruise control. See *Features and Controls*.

## Mowing



This machine is capable of amputating hands and feet, and throwing objects. Failure to obey the safety instructions could result in serious injury or death.

- Only operate the machine in daylight hours or good artificial light.
  - Avoid holes, ruts, bumps, rocks, or other hidden hazards. Uneven terrain can overturn the machine or cause operator to lose their balance or footing.
  - Do not direct discharge material toward anyone. Avoid discharging material against a wall or obstruction as material may ricochet back toward the operator.
  - Stop the blade(s) when crossing gravel surface.
  - Do not leave a running machine unattended. Always park on level ground, disengage the attachment, set parking brake, stop engine and remove starter insert or key.
1. Engage the parking brake control (I, Figure 3).
  2. Make sure the PTO switch (E) is disengaged.
  3. Start the engine. See *Start the Engine*.
  4. Set the throttle control (J) to the FAST position.
  5. Engage the PTO to activate the mower blades.

6. Use the Height-of-Cut Electric Switch (R) to set the cutting height to the desired level. See *Adjusting the Mower Cutting Height*.
7. Disengage the parking brake control, then begin to mow.
8. Disengage the PTO.
9. STOP the engine. See *Stop the Engine*.



The engine will STOP if the reverse ground speed pedal is depressed while the PTO is ON and the RMO has not been activated. Always disengage the PTO OFF before tractor operation. Sudden loss of drive could create a hazard.

## Adjust the Mower Cutting Height

The mower lift lever (Q, Figure 3) lowers the deck to cutting position or raises the deck to the transport position.

1. Lower the deck:
  - A. Slightly pull back on the mower lift lever.
  - B. Push the mower lift lever to the left.
  - C. Push DOWN on the mower lift lever.
2. Raise the deck:
  - A. Pull UP on the mower lift lever.
  - B. Lock in the notch to the right.

*Note:* DO NOT cut when the deck is raised to transport position.

*Note:* The height-of-cut switch (R, Figure 3) controls the mower cutting height. It adjusts the cutting height between 1.5 - 3.5 in. (2.5 - 8.89 cm). See *Specifications*.

## Reverse Mowing Option (RMO)



Mowing in reverse can be hazardous to bystanders. Tragic accidents can occur if the operator is not alert to the presence of children. Children are often attracted to the machine and the mowing activity. Never assume that children will remain where you last saw them.

- Keep children out of the operating area and under the watchful care of a responsible adult.
- Do not carry passengers, especially children, even with the blade(s) shut off. Children can fall off and be seriously injured or interfere with the safe machine operation. Children who have been given rides in the past can suddenly appear in the mowing area for another ride and be run over or backed over by the machine.
- Do not mow in reverse unless absolutely necessary. Always look down and behind before and while backing.
- If the machine mows in reverse without Reverse Mowing Option activated, see an authorized dealer immediately.



1. Engage the Power Take-Off (PTO) (E, Figure 3).
2. Set the Reverse Mowing Option (RMO) key (B) to the ON position.
3. The L.E.D. light comes on.
4. The operator mows in reverse.

*Note:* Remove the key to restrict access to the RMO.

## Maintenance



Unintentional sparking can result in fire or electric shock. Unintentional start-up can result in entanglement, traumatic amputation, or laceration.

### Before adjustments and repairs:

- Disconnect the spark plug wire. Keep it away from the spark plug.
- On electric start engines, disconnect the battery at the negative (-) terminal.
- Use ONLY the correct tools.
- DO NOT tamper with the governor spring, links, or other parts to increase engine speed.
- Replacement parts must be of the same design and installed in the same position as the original parts. Other parts may not perform as well, may damage the unit, and may result in injury.
- DO NOT strike the flywheel with a hammer or hard object because the flywheel can shatter during operation.

## Maintenance Schedule

RIDER AND MOWER
<b>Every 8 Hours or Daily</b>
Check the Safety interlock system.
Remove unwanted material from the rider, mower deck, and engine compartment.
<b>Every 25 Hours or Annually*</b>
Check the tire pressure.
Check the mower blade stopping time.
Check for loose hardware on the rider and mower.
<b>Every 50 Hours or Annually*</b>
Clean the battery and cables.
Check the rider brakes.
<b>See a Briggs &amp; Stratton Authorized Service Dealer Annually</b>
Lubricate the rider and mower.
Mower blades check**

\*Whichever comes first.

\*\*Check the mower blades more often in regions with sandy soils or high dust conditions.

ENGINE
<b>First 5 Hours</b>
Change the engine oil.
<b>Every 8 Hours or Daily</b>
Check the engine oil level.
<b>Every 25 Hours or Annually*</b>
Clean the air filter and pre-cleaner.**
<b>Every 50 Hours or Annually*</b>
Change the engine oil.
Replace the oil filter.
<b>Annually</b>
Replace the air filter.

## ENGINE

Replace the pre-cleaner.

**See Dealer Annually to**

Inspect the muffler and spark arrester.

Replace the spark plugs.

Replace the fuel filter.

Clean the air cooling system.

\*Whichever comes first.

\*\*Clean more often in dusty conditions or when airborne material is present.

## Tire Pressure Check

For the correct traction and the best mowing performance, make sure that the tire inflation pressure is 12-14 psi (0,82-0,96 bar). Refer to Tire Pressure Check in the *Maintenance Schedule*. Also, see Tire Inflation Pressure in the *Specifications* section.

*Note:* There can be a difference in tire inflation pressure from the "Maximum Inflation" shown on the side of the tires.

## Battery Maintenance

### Clean the Battery and Cables



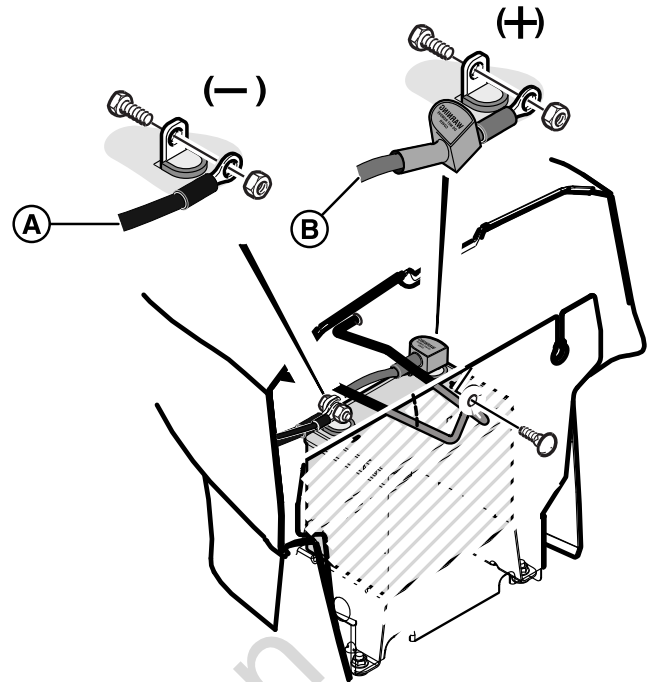
**WARNING**

When you remove or install battery cables, always disconnect the NEGATIVE (-) cables FIRST and reconnect it LAST. If not done in this order, the positive terminal can be shorted to the frame by a tool.

*Note:* DO NOT remove or connect the battery cable while the engine is ON.

1. STOP the engine. Remove the key.
2. Disconnect the NEGATIVE (-) cables (A, Figure 10) from the battery first.
3. Disconnect the POSITIVE (+) cables (B) from the battery last.
4. Clean the battery surface with baking soda and water.
5. Use a wire brush and terminal cleaner to clean the battery terminals and cable ends.
6. Lubricate the battery terminals with petroleum jelly or non-conducting grease.
7. Install the battery.
8. Connect the POSITIVE (+) cables to the battery first.
9. Connect the the NEGATIVE (-) cables to the battery last.

10



### Charge the Battery



**WARNING**

Keep open flames and sparks away from the battery. Gasses from the battery are very explosive.

A dead battery or one too weak to start the engine can be the result of a defect in the charging system or other electrical component. If there are doubts about the cause of the problem, see an Authorized Service Dealer. To replace the battery, see *Clean the Battery and Cables*.

### Mower Blade Stop Time



**WARNING**

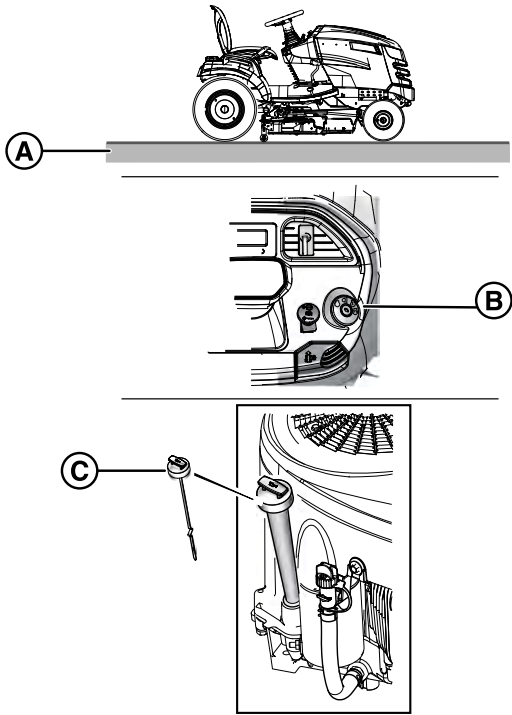
If the mower blade does not STOP in 5 seconds or less, the clutch must be adjusted. DO NOT operate the machine until the adjustment has been corrected by a Briggs & Stratton Authorized Service Dealer.

After the Power Take-Off (PTO) switch turns OFF, the mower blades and mower drive belt must STOP in 5 seconds or less. If the mower drive belt does not STOP in 5 seconds, contact Briggs & Stratton Authorized Service Dealer for repairs.

### Change the Engine Oil

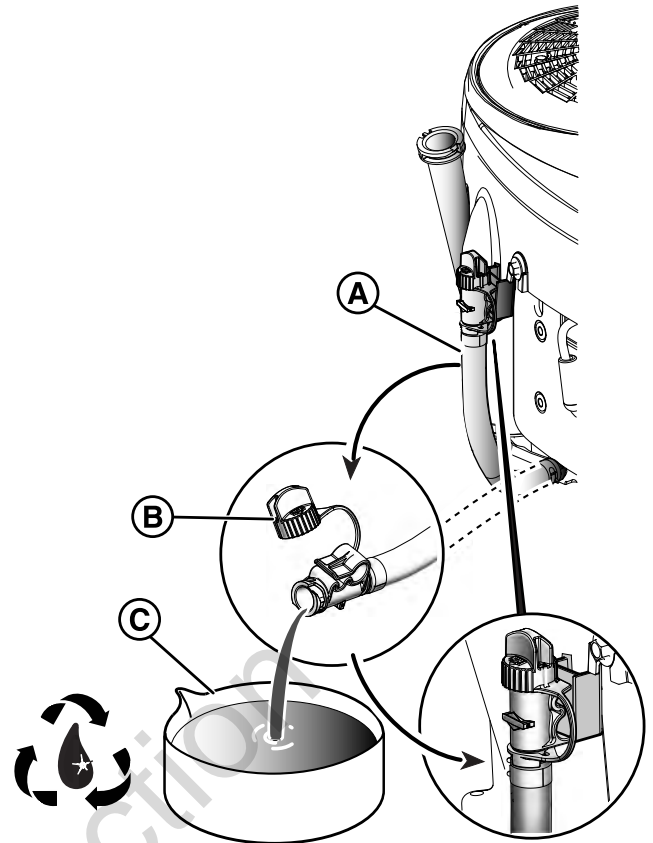
1. Put the rider on a level surface (A, Figure 11).
2. Stop the engine and remove starter insert or key (B).
3. Clean the oil fill and filter areas.
4. Remove the dipstick (C).

11



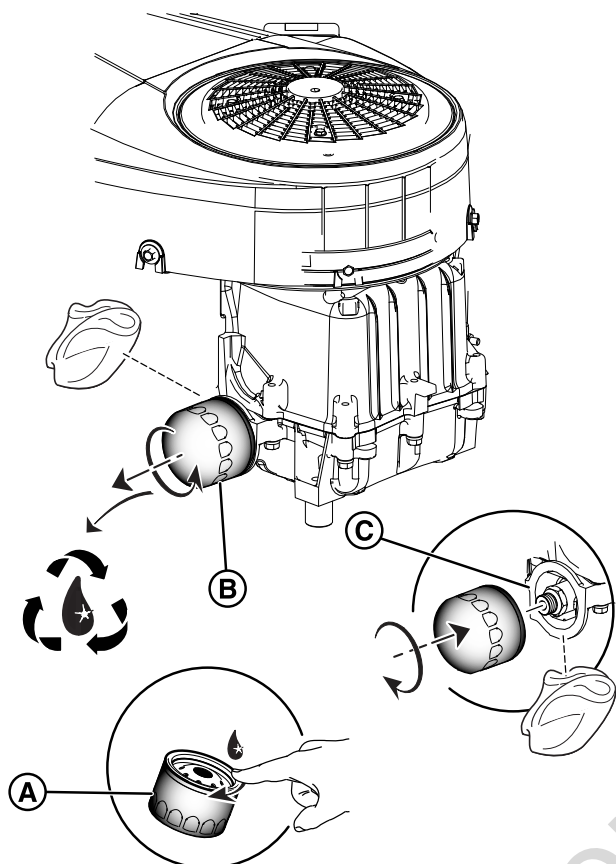
5. Disconnect the oil drain hose (A, Figure 12)
6. Carefully remove the cap (B), and lower the hose into an approved container (C).

12



7. After the oil has drained, install the cap tightly, then attach the hose to the side of the engine.
8. Remove the oil filter (B, Figure 13) and discard.
9. Lightly lubricate the oil filter gasket (A) with clean oil.
10. Install the oil filter by hand until the gasket touches the oil filter adapter (C). Then, tighten the oil filter 1/2 to 3/4 turns.

13



11. Add oil. Refer to the *Check and Add Oil* section.

## Air Filter Assembly (Cartridge with pre-cleaner)



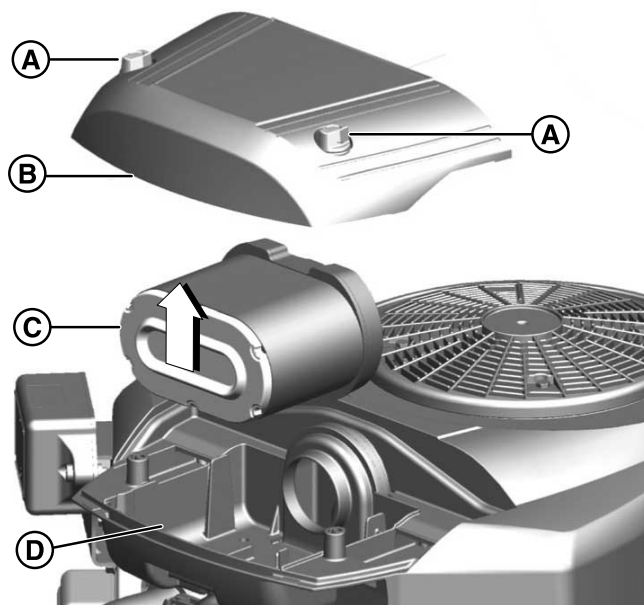
**DO NOT** start or operate the engine without an air cleaner assembly or air filter as it is a fire hazard.

**NOTICE** DO NOT use pressurized air or solvents to clean the air filter. Pressurized air can damage the filter and solvents will dissolve it.

1. Loosen the fasteners (A, Figure 14) and remove the cover (B).
2. Remove the air cleaner assembly (C) and disassemble it.
3. Remove unwanted material or debris that can get into the carburetor throat (D).
4. Remove the pre-cleaner from the air filter.
5. Lightly tap the air filter on a hard surface to loosen debris. If the air filter is dirty, replace it.
6. Soak the pre-cleaner in liquid detergent and water. Let it fully air dry. **DO NOT** lubricate the pre-cleaner.
7. Assemble the dry pre-cleaner to the air filter.
8. Install the air filter assembly.

9. Install the cover and tighten the fasteners.

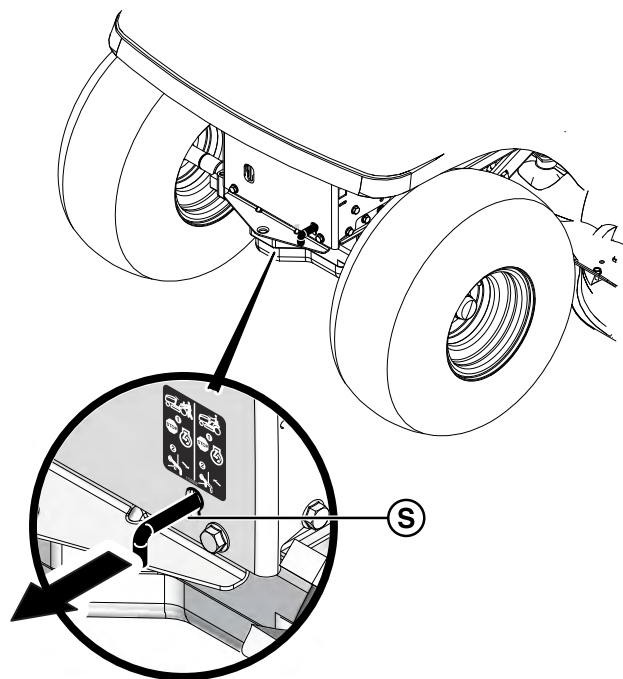
14



## Push the Tractor By Hand

1. Disengage the Power-Take-Off (PTO) (E, Figure 3).
2. **STOP** the engine. See *Stop the Engine*.
3. Pull the transmission release lever (S, Figure 15). Then, push the lever down to lock in position.

15



4. The rider can be pushed by hand.

## WARNING

Towing the unit will cause transmission damage. Do not use another vehicle to push or pull this unit. Do not actuate the transmission release lever while the engine is ON.

## Check the Spark Plugs

### WARNING

Unintentional sparking can result in fire or electric shock.

Unintentional start-up can result in entanglement, traumatic amputation, or laceration.

#### When you test for spark:

- Use an approved spark plug tester.
- DO NOT check for spark with the spark plug removed.

**NOTICE** Spark plugs have different heat ranges. It is important that the correct spark plug is used, otherwise, engine damage can occur. Replace the spark plug with the same type or equivalent one.

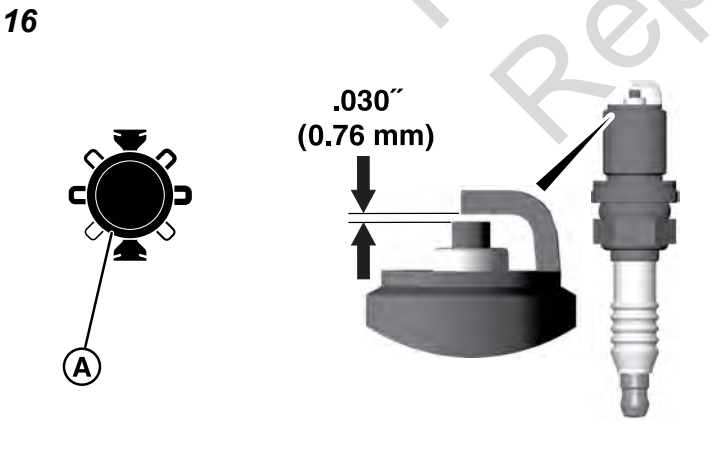
## Clean the Spark Plugs

Clean the spark plugs with a wire brush and sturdy knife. DO NOT use abrasives.

## Check the Spark Plug Gap

Use a spark plug feeler gauge (A, Figure 16) to check the gap between the two electrodes. When the gap is correct, the gauge will drag slightly as you pull it through the gap.

To adjust the spark plug gap, use a spark plug gauge and gently bend the curved electrode. Make sure that you do not touch the center electrode or the porcelain.

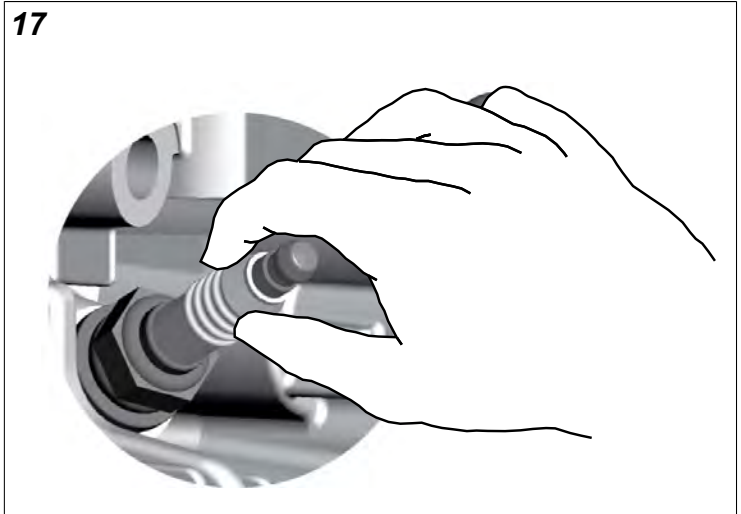


## Install the Spark Plugs

Tighten the spark plug with your fingers, and then, tighten it with a wrench as shown in Figure 17.

- 180 in-lbs (20 Nm), OR
- 1/2 turn when you install the original spark plug, OR
- 1/4 turn when you install a new spark plug.

17



## Towed Equipment

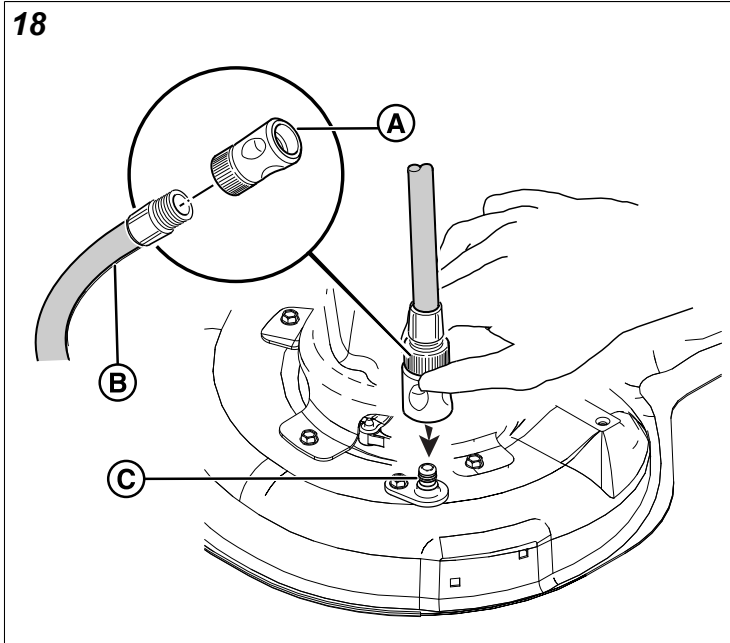
1. Before you tow the unit, make sure that the hitch is designed for towing.
2. Attach towed equipment ONLY at the hitch point.
3. For towed equipment and towing on slopes, make sure that the weight limit recommendations are correct.
  - Gross weight (trailer and load) of 400 lb (181.4 kg).
  - Maximum of 20 lb (9.1 kg) foot up or down on the tongue.
  - Go from a 10° limit to a 5° limit on slopes.
4. DO NOT let children or others in or on towed equipment.
5. The weight of the towed equipment on slopes can cause loss of traction and loss of control.
6. DO NOT shift to neutral and coast down hill.

## Clean the Mower Deck (if equipped)

*Note:* Use the washout port (C, Figure 18) to clean the bottom of the mower deck.

1. Put the rider on a smooth level surface.
2. Attach the quick disconnect (A, Figure 18) to the garden hose (B) and then connect to the washout port (C) on the mower deck.
3. Turn the water ON.
4. Start the engine. See *Start the Engine*.
5. Set the Height-of-Cut to the highest position. See *Adjust the Mower Cutting Height*.
6. Engage the Power Take-Off (PTO) to activate the mower blades. The rotation of the blades and the water will clean the bottom of the mower deck.
7. Disengage the PTO.
8. Stop the engine. See *Stop the Engine*.
9. Turn the water OFF.
10. Remove the garden hose and quick disconnect from the washout port (C).

18



- Make sure the engine is warm before you use it.

## Storage



Never store the unit (with fuel) in an enclosed, non-ventilated structure. Fuel vapors can travel to an ignition source (such as a furnace, water heater, etc.) and cause an explosion.

- Store away from furnaces, stoves, water heaters, or other appliances that have pilot lights or other ignition sources because they can ignite fuel vapors.

## Equipment

Turn OFF the Power Take-Off (PTO), and set the parking brake. Remove the starter insert. Let the machine cool.

If you remove the battery, the battery life will increase. Make sure that the battery is in a cool, and dry location, and keep it fully charged. If the battery is left in the unit, disconnect the negative cable.

## Fuel System

Fuel can become stale when kept in a storage container for more than 30 days. Each time you fill the container with fuel, add STA-BIL 360<sup>®</sup> PROTECTION™ to the fuel as specified by the manufacturer's instructions. This keeps fuel fresh and decreases fuel-related problems or contamination in the fuel system.

It is not necessary to drain fuel from the engine when STA-BIL 360<sup>®</sup> PROTECTION™ is added as instructed. Before storage, turn the engine ON for 2 minutes to move the fuel and stabilizer through the fuel system.

### Before starting the machine after it has been stored:

- Check all fluid levels. Check all maintenance items.
- Do all recommended checks and procedures found in this manual.



# Troubleshooting

## Troubleshooting the Rider

PROBLEM	LOOK FOR	REMEDY
The engine will not turn over or start.	The brake pedal is not pushed down.	Fully push down on the brake pedal.
	The fuel tank is empty.	If engine is hot, let it cool, and then fill the fuel tank again.
	The PTO switch is in ON position.	Set the PTO switch to the OFF position.
	The cruise control is engaged.	Set the cruise control to the NEUTRAL/OFF position.
	The engine is flooded.	Disengage the choke.
	The battery terminals are dirty.	Refer to <i>Clean the Battery and Cables</i> .
	The battery is discharged or dead.	Charge or replace the battery.
	Loose or broken wiring.	Visually check wiring. If wires are frayed or broken, see an Authorized Service Dealer.
The engine starts hard or runs poorly.	The fuel mixture is too rich.	Clean the air filter.
The engine knocks.	Low oil level.	Check and add oil as required.
	Incorrect grade of oil.	Refer to the <i>Check and Add Engine Oil</i> section.
Excessive oil consumption.	The engine is too hot.	Check the engine fins, blower screen, and air cleaner (if equipped).
	Incorrect grade of oil.	Refer to the <i>Check and Add Engine Oil</i> section.
	Too much oil in crankcase.	Drain excess oil.
The engine exhaust is black.	The air filter is dirty.	Refer to the <i>Air Filter Assembly</i> section.
	The choke is closed.	Open the choke.
The engine runs, but the rider will not drive.	The speed control pedals are not pushed down.	Push down on the speed control pedals.
	The transmission release lever is in the PUSH position.	Move the transmission release lever to the DRIVE position.
	The parking brake is engaged.	Disengage the parking brake.
The rider steers hard or handles poorly.	Incorrect tire inflation.	Refer to the <i>Check Tire Pressure</i> section.

*Note:* For all other problems, contact an Authorized Service Dealer.

## Troubleshooting the Mower

PROBLEM	LOOK FOR	REMEDY
The mower cut is uneven.	The tires are not correctly inflated.	Refer to the <i>Tire Pressure Check</i> section.
The mower cut looks rough.	The engine speed is too slow.	Set to FAST throttle.
	The ground speed is too fast.	Slow down.
The engine stalls easily with the mower engaged.	The engine speed is too slow.	Set to FAST throttle.
	The ground speed is too fast.	Slow down.
	Dirty or clogged air cleaner.	Refer to the <i>Air Filter Assembly</i> section.
	Height-of-Cut is set too low.	Cut tall grass at maximum Height-of-Cut during first pass.
	The engine is not at the operating temperature.	START the engine, and let it warm for several minutes.
The engine starts, and the rider drives, but the mower will not cut.	The Power-Take Off (PTO) is disengaged.	Engage the PTO.

*Note:* For all other problems, contact an Authorized Service Dealer.



# Specifications

## Specifications Chart

Item	2691556, 2691663, 2691910	2691557, 2691911	2691664
Engine	Intek™ Briggs & Stratton	Intek™ Briggs & Stratton	Professional Series™ Briggs & Stratton
Displacement	724 cc	724 cc	724 cc
Electrical System	9-Amp	9-Amp	9-Amp
Battery	12V - 230CCA	12V - 230CCA	12V - 230CCA
Oil Capacity	64 oz (1,9 L)	64 oz (1,9 L)	64 oz (1,9L)
Spark Plug Gap	.030 in (,76 mm)	.030 in (,76 mm)	.030 in (,76 mm)
Spark Plug Torque	180 lb-in (20 Nm)	180 lb-in (20 Nm)	180 lb-in (20 Nm)
Fuel Tank Capacity	3.5 Gal (13,2 L)	3.5 Gal (13,2 L)	3.5 Gal (13,2 L)
<b>Transmission</b>			
Make and Type	Tuff Torq®K46	Tuff Torq® K46	Tuff Torq®K46
<b>Mower Deck</b>			
Cutting Width	42 in (107 cm)	46 in (117 cm)	48 in (122 cm)
Number of Blades	2 standard lift	3 standard lift	3 standard lift
Height-Of-Cut	1.5 - 3.5 in (3,8 - 8,9 cm)	1.0 - 3.5 in (2,5 - 8,9 cm)	1.5 - 3.5 in (3,8 - 8,9 cm)
<b>Chassis</b>			
Front Wheel Size	15 x 6-6	15 x 6-6	15 x 6-6
Front Wheel Inflation Pressure	12 - 14 psi (0,82 - 0,92 Bar)	12 - 14 psi (0,82 - 0,92 Bar)	12 - 14 psi (0,82 - 0,92 Bar)
Rear Wheel Size	20 x 10-8	20 x 8-8	20 x 10-8
Rear Wheel Inflation Pressure	10 psi (0,68 Bar)	10 psi (0,68 Bar)	10 psi (0,68 Bar)

## Power Ratings Disclaimer

**Power Ratings:** The gross power rating for individual gasoline engine models is labeled in accordance with SAE (Society of Automotive Engineers) code J1940 Small Engine Power & Torque Rating Procedure, and is rated in accordance with SAE J1995. Torque values are derived at 2600 RPM for those engines with “rpm” called out on the label and 3060 RPM for all others; horsepower values are derived at 3600 RPM. The gross power curves can be viewed at [www.BRIGGSandSTRATTON.COM](http://www.BRIGGSandSTRATTON.COM). Net power values are taken with exhaust and air cleaner installed whereas gross power values are collected without these attachments. Actual gross engine power will be higher than net engine power and is affected by, among other things, ambient operating conditions and engine-to-engine variability. Given the wide array of products on which engines are placed, the gasoline engine may not develop the rated gross power when used in a given piece of power equipment. This difference is due to a variety of factors including, but not limited to, the variety of engine components (air cleaner, exhaust, charging, cooling, carburetor, fuel pump, etc.), application limitations, ambient operating conditions (temperature, humidity, altitude), and engine-to-engine variability. Due to manufacturing and capacity limitations, Briggs & Stratton may substitute an engine of higher rated power for this engine.

# Índice de contenidos:

<b>Información general</b> .....	<b>23</b>
<b>Información de contacto de la oficina en Europa</b> .....	<b>23</b>
<b>Etapas V (5) de la Unión Europea (UE): Valores del dióxido de carbono (CO2)</b> .....	<b>23</b>
<b>Seguridad del operador</b> .....	<b>23</b>
Conserve estas instrucciones.....	23
Guía de identificación de pendientes.....	23
Símbolos de seguridad y significados.....	24
Símbolo de alerta de seguridad y palabras de señalización.....	25
Calcomanías de seguridad.....	25
Mensajes de seguridad.....	26
<b>Características y controles</b> .....	<b>26</b>
Símbolos de control y significados.....	27
Pantalla de mantenimiento electrónica.....	28
<b>Operación</b> .....	<b>29</b>
Área de funcionamiento.....	29
Pruebas del sistema de interbloqueo de seguridad.....	30
Motor.....	30
Operación del tractor.....	33
<b>Mantenimiento</b> .....	<b>36</b>
Plan de mantenimiento.....	36
Revisión de la presión de los neumáticos.....	36
Mantenimiento de la batería.....	36
Tiempo de detención de la cuchilla del cortacésped.....	37
Cambie el aceite del motor.....	37
Conjunto del filtro de aire (cartucho con prelimpiador).....	38
Cómo empujar el tractor manualmente.....	39
Revise las bujías.....	39
Equipos remolcados.....	40
Limpie la plataforma del cortacésped (si está equipada).....	40
<b>Almacenamiento</b> .....	<b>41</b>
<b>Solución de problemas</b> .....	<b>42</b>
Solución de problemas del cortacésped.....	42
Solución de problemas del cortacésped.....	42
<b>Especificaciones</b> .....	<b>44</b>
Tabla de especificaciones .....	44
Advertencia de potencia nominal.....	44

## Información general

Para obtener información adicional, consulte la *Guía de contactos del cliente* que se incluye con la unidad.

Las ilustraciones que aparecen en este documento son representativas. Su unidad podría verse diferente de las imágenes que se muestran. *IZQUIERDA* y *DERECHA* se usan como referencia desde la posición del operador.

El empleo de las palabras "Importante" y "Nota" en el texto indica aclaraciones, excepciones o alternativas a los procedimientos.

Todas las traducciones de este documento se derivan del archivo original en inglés.



Todos los envases, el aceite usado y las baterías deben reciclarse de acuerdo con las regulaciones gubernamentales aplicables.

## Información de contacto de la oficina en Europa

Si tiene preguntas acerca de las emisiones europeas, contáctese con nuestra oficina en Europa en:

**Max-Born-Straße 2, 68519 Viernheim, Alemania.**

## Etapa V (5) de la Unión Europea (UE): Valores del dióxido de carbono (CO<sub>2</sub>)

Los valores de dióxido de carbono de los motores de Briggs & Stratton® con certificado de aprobación tipo UE se encuentran ingresando CO<sub>2</sub> en la ventana de búsqueda en [BriggsandStratton.com](http://BriggsandStratton.com).

## Seguridad del operador

### Conserve estas instrucciones

**Guarde estas instrucciones para futuras referencias.** Este manual contiene información sobre seguridad para hacer que tome conciencia de los peligros y riesgos asociados con el producto y cómo evitarlos. También contiene instrucciones importantes que deben seguirse durante la configuración inicial, el funcionamiento y el mantenimiento del producto.

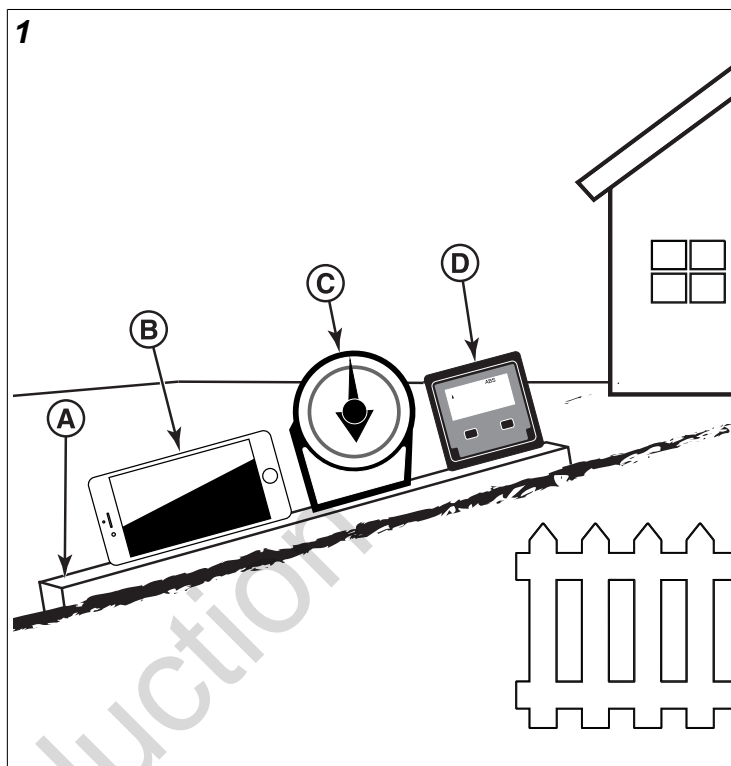
Este producto está diseñado y destinado al corte de césped con buen mantenimiento y no está diseñado para otros propósitos.

Es importante que lea y comprenda estas instrucciones antes de intentar arrancar u operar este equipo.

Asegúrese de estar completamente familiarizado con los controles y el uso correcto del producto.

Aprenda cómo detener la unidad y desactivar los controles rápidamente.

## Guía de identificación de pendientes



**Cómo medir la pendiente de una superficie del césped con un teléfono inteligente o una herramienta de medición de ángulos:**

### ADVERTENCIA









No opere la máquina en pendientes de más de 10 grados.







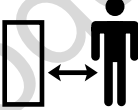
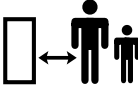



1. Use un borde recto de al menos dos (2) pies de largo (A, Figura 1). Una pieza de metal recta de 2 x 4 pies funciona bien.
2. Herramientas de medición de ángulos.
  - a. **Use su teléfono inteligente:** muchos teléfonos inteligentes (B, Figura 1) tienen un inclinómetro (buscador de ángulo) ubicado debajo de la aplicación de brújula (aplicación). O busque en una tienda de aplicaciones una aplicación de inclinómetro.
  - b. **Utilice las herramientas del buscador de ángulo:** las herramientas del buscador de ángulos (C y D, figura 1) están disponibles en las ferreterías locales o en línea (también llamadas inclinómetro, transportador, medidor de ángulo o calibrador de ángulo). Aquellas con dial (C) o digitales (D) funcionan, otras pueden no funcionar. Lea y siga las instrucciones de la herramienta de medición de ángulos.

3. Coloque el borde recto de dos (2) pies a lo largo de la parte más empinada de la pendiente del césped. Coloque la placa hacia arriba y hacia abajo de la pendiente.
4. Coloque el teléfono inteligente o la herramienta de medición de ángulos en el borde recto y lea el ángulo en grados. Esta es la pendiente de su césped.


*Nota:* Se incluye una guía de identificación de pendientes con calibradores de papel en el paquete de la documentación del producto y también se puede descargar desde el sitio web del fabricante.


## Símbolos de seguridad y significados


Símbolo	Significado
	Información de seguridad sobre los riesgos que pueden provocar lesiones físicas.
	Lea y entienda el Manual del operador antes de operar o reparar la unidad.
	Retire la llave y lea el Manual del operador antes de reparar la unidad.
	Pare
	Peligro de incendio
	Peligro de explosión
	Peligro de descarga eléctrica
	Peligro de vapores tóxicos


Símbolo	Significado
	Piezas móviles
	Llevar puesta la protección para los ojos.
	Sustancia química peligrosa
	Peligro de superficie caliente
	Peligro de amputación
	Peligro de objetos arrojados
	Mantenga una distancia segura
	Mantenga a los niños alejados
	Peligro de amputación
 10° Max.	Peligro de vuelco
 10° Max.	

## Símbolo de alerta de seguridad y palabras de señalización

El símbolo de alerta de seguridad  identifica información de seguridad sobre peligros que pueden provocar lesiones personales. Se usa una palabra de señalización (**PELIGRO**, **ADVERTENCIA** o **PRECAUCIÓN**) junto con el símbolo de alerta para indicar la probabilidad y la gravedad potencial de las lesiones. Además, se puede usar un símbolo de peligro para representar el tipo de riesgo.

 **PELIGRO** indica un peligro que, si no se evita, **provocará** la muerte o lesiones graves.

 **ADVERTENCIA** indica un peligro que, si no se evita, **podría** ocasionar la muerte o lesiones graves.

 **PRECAUCIÓN** indica un peligro que, si no se evita, **podría** ocasionar lesiones menores o moderadas.

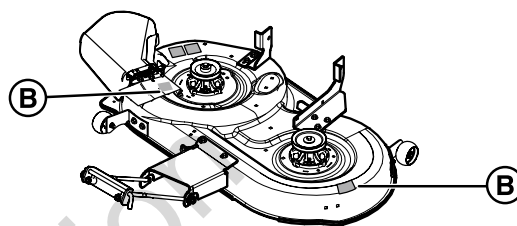
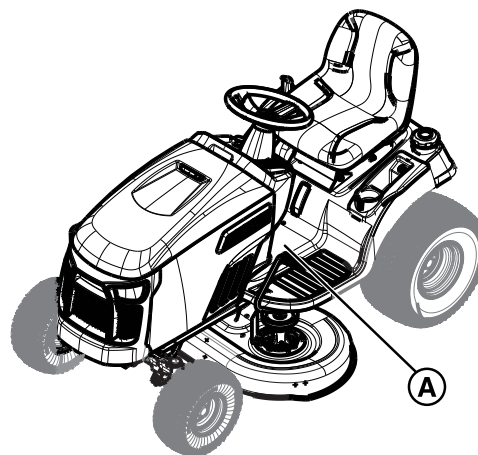
**AVISO** indica información que se considera importante pero que no está relacionada con un peligro.

## Calcomanías de seguridad





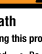
Antes de hacer funcionar la unidad, lea las calcomanías de seguridad. Compare la Figura 2 con las calcomanías mostradas en la tabla a continuación. Las advertencias y precauciones son para su seguridad. Para evitar lesiones corporales o daños a la unidad, comprenda y obedezca las calcomanías de seguridad.

**IMPORTANTE:** Si alguna de las calcomanías de seguridad se daña o se gasta y no se puede leer, ordene calcomanías nuevas a su distribuidor local.

2



A

<b>⚠ DANGER</b>		
 <p><b>Amputation hazard</b> Rotating blades cut off arms and legs.</p> <ul style="list-style-type: none"> <li>• Stop the mower when children or others are near.</li> <li>• Do not carry riders (especially children) even with the blades off. They may fall off or return for another ride when you are not expecting it.</li> <li>• Look down and behind before and while backing.</li> </ul>	 <p><b>Loss of control and roll-over hazard</b> Operating on slopes can be hazardous and cause loss of control and roll-overs.</p> <ul style="list-style-type: none"> <li>• Avoid sudden turns or rapid speed changes.</li> <li>• Reduce speed and use extreme caution on slopes.</li> <li>• Go up and down slopes, NOT across.</li> <li>• Do not operate on slopes over 10 degrees.</li> <li>• If machine stops while going uphill, stop the blades and back down slowly.</li> </ul>	 <p><b>Water, retaining walls and drop-off hazards</b> Wheels dropping over edges may result in serious injury, death or drowning.</p> <ul style="list-style-type: none"> <li>• Do NOT operate near water, retaining walls or drop-offs.</li> <li>• Give yourself a minimum of two mower widths of clearance around these hazards.</li> </ul>
<b>⚠ WARNING</b>		
 <p><b>Avoid serious injury or death</b> Read the operator's manual before using this product.</p> <ul style="list-style-type: none"> <li>• Do NOT operate this machine unless you are trained.</li> <li>• Know the location and function of all controls.</li> <li>• Keep safety devices (guards, shields, switches, etc.) in place and working.</li> <li>• Remove objects that could be thrown by the blade.</li> </ul>	 <p><b>Fire hazard</b> Gasoline is flammable. Yard debris is combustible.</p> <ul style="list-style-type: none"> <li>• Allow engine to cool for at least 3 minutes before refueling.</li> <li>• Keep unit cleaned of debris.</li> <li>• This equipment may create sparks that can start fires around dry vegetation. A spark arrester may be required. Contact local fire agencies for regulations relating to fire prevention requirements.</li> </ul>	

This spark ignition system complies with the Canadian standard CES-202.


B

**⚠ DANGER**

**Amputation and thrown objects hazard**

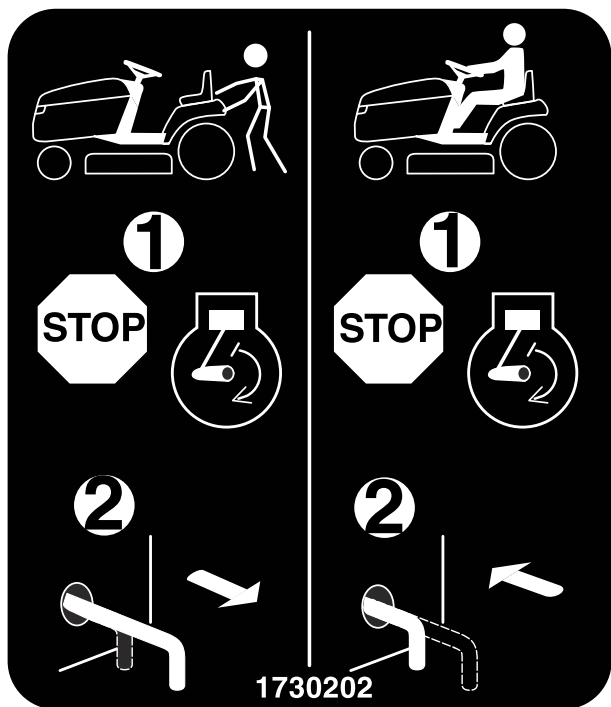


- Keep hands and feet away from deck.
- Do not operate mower unless discharge chute or entire grass catcher is in its proper place.



7101665

C



D



## Mensajes de seguridad



Lea, comprenda y obedezca todas las instrucciones y advertencias en el Manual del operador y en la máquina, el motor y los aditamentos antes de operarla. El incumplimiento de las instrucciones de seguridad incluidas en este manual y en el equipo podría ocasionar la muerte o lesiones graves.

- Solo permita que operadores responsables, capacitados, familiarizados con las instrucciones y físicamente aptos operen la máquina.
- No opere la unidad si está bajo los efectos del alcohol o las drogas.
- Use gafas de seguridad y calzado cerrado.
- No coloque las manos o los pies cerca de piezas giratorias o debajo de la máquina. Manténgase lejos de la abertura de descarga en todo momento.
- Mantenga la máquina en buenas condiciones de funcionamiento. Cambie las piezas desgastadas o dañadas.
- Tenga cuidado cuando repare las cuchillas. Envuelva las cuchillas o use guantes. Reemplace las cuchillas dañadas. No repare ni altere las cuchillas.
- Use rampas de ancho completo cuando cargue y descargue una máquina para el transporte.
- Ver el aditamento o accesorio para conocer los pesos o contrapesos adecuados de las ruedas.
- Para ayudar a prevenir incendios, mantenga la máquina libre de hierba, hojas u otro material no deseado. Limpie el aceite restante o los derrames de combustible. Retire los residuos empapados de combustible y deje que la máquina se enfríe antes de su almacenamiento.

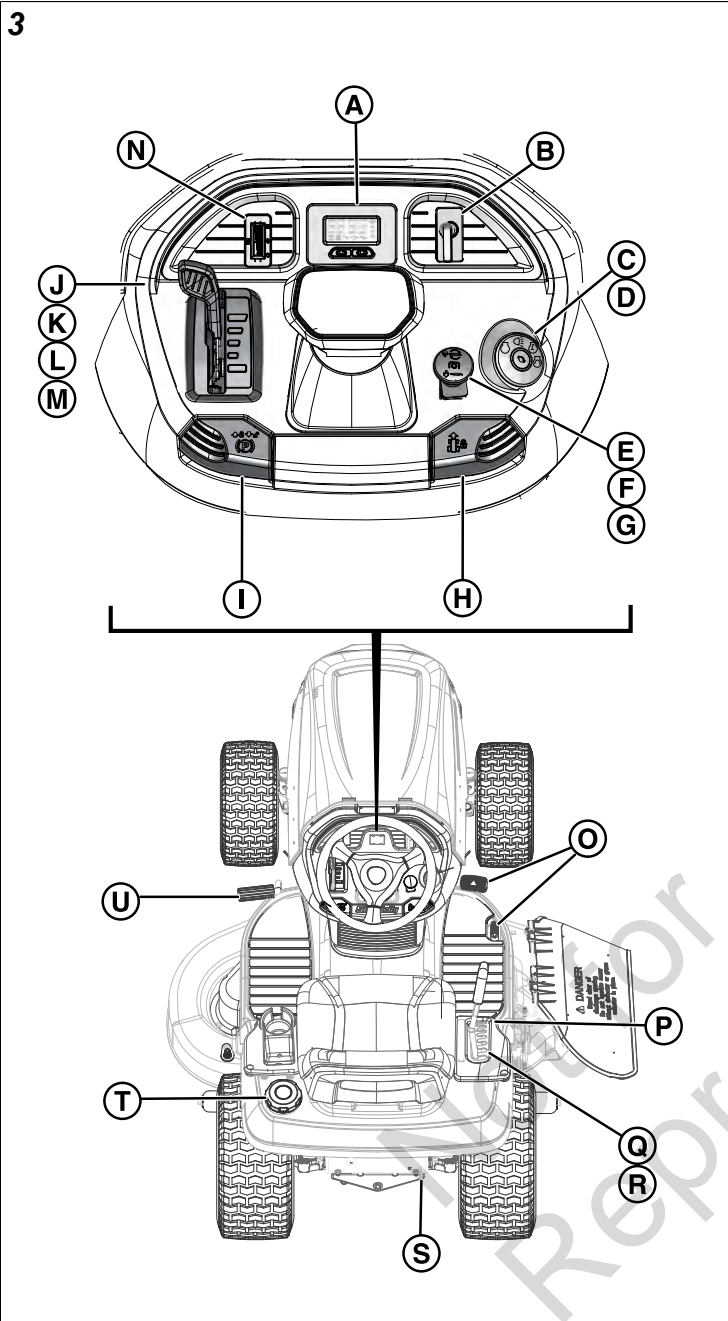


Los motores emiten monóxido de carbono, un gas venenoso, incoloro e inodoro. La inhalación de monóxido de carbono puede provocar dolor de cabeza, fatiga, mareos, vómitos, confusión, convulsiones, náuseas, desmayos o incluso la muerte.

- Opere el equipo ÚNICAMENTE al aire libre.
- Evite que los gases de escape entren en un espacio cerrado a través de las ventanas, puertas, tomas de aire de ventilación u otras aberturas.




## Características y controles

Asegúrese de que las letras en la Figura 3 concuerden con las características y los controles enumerados en la tabla siguiente.



## Símbolos de control y significados

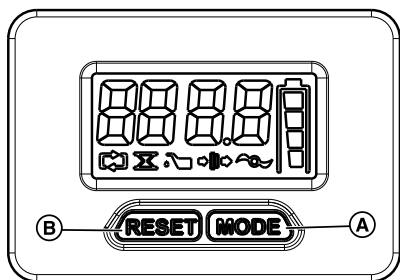
A		Panel electrónico con guiones
B		Opción de corte de césped marcha atrás (RMO)

C		Interruptor de ignición  APAGADO  ENCENDIDO  ARRANQUE
D		Interruptor de luces delanteras
E		Toma de fuerza (PTO)
F		Toma de fuerza (PTO), hojas activadas
G		Toma de fuerza (PTO), hojas desactivadas
H		Control de crucero
I		Control de freno de estacionamiento
J		Control del acelerador
K		Posición LENTA del control del acelerador
L		Posición RÁPIDO del control del acelerador

M		Estrangulador
N		Indicador de nivel de combustible (si está equipado)
O		Pedales de velocidad de desplazamiento
P		Palanca de ajuste del asiento
Q		Palanca de elevación del cortacésped
R		Interruptor de altura de corte
S		Palanca de liberación de la transmisión
T		tanque de combustible
U		Pedal de freno

## Pantalla de mantenimiento electrónica

4



**Nota:** Cuando arranque la unidad, se mostrarán las horas totales en la pantalla de mantenimiento. El total de horas se restablecerá en 0 después de 999,9.

### Mostrar el total de horas, las horas de desplazamiento y el reloj

1. Presione MODO (MODE) (A, Figura 4) menos de 1 segundo para que muestre las horas de desplazamiento.
2. Presione RESTABLECER (RESET) (B) durante más de 3 segundos para fijar las horas de desplazamiento en 0.
3. Presione MODO (MODE) durante menos de 1 segundo para mostrar el reloj. Consulte la sección **Ajuste del reloj**.
4. Presione MODO (MODE) menos de 1 segundo para volver al total de horas.

### la sección

1. Presione MODO (MODE) (A, Figura 4) durante más de 3 segundos. Las horas parpadearán en la pantalla.
2. Presione RESTABLECER (RESET) para ajustar las horas.
3. Presione MODO (MODE) menos de 1 segundo para guardar el ajuste. Los minutos parpadearán en la pantalla.
4. Presione RESTABLECER (RESET) para ajustar los minutos.
5. Presione MODO (MODE) menos de 1 segundo para guardar el ajuste.

### Pantalla de mantenimiento

**CAMBIO DE ACEITE (OIL CHANGE):** Este mensaje se muestra después de 50 horas de funcionamiento. Después de cambiar el aceite y el filtro, presione MODO dos veces para mostrar las HORAS DE USO DEL ACEITE (OIL HRS). Mantenga presionado el botón MODO (MODE) por 3 segundos para restablecer el temporizador en cero y despejar la pantalla.

**REVISAR FILTRO DE AIRE (AIR FILTER CHECK):** Este mensaje se muestra después de 25 horas de funcionamiento. Después de limpiar y cambiar el filtro de aire, presione MODO (MODE) tres veces para mostrar HORAS DEL FILTRO DE AIRE (AIR FILTER HRS). Mantenga presionado el botón MODO (MODE) por 3 segundos para restablecer el temporizador en cero y despejar la pantalla.

### CAMBIO DE CUCHILLAS (CHANGE BLADES):

Este mensaje se muestra después de 100 horas de funcionamiento. Después de cambiar la cuchilla, mantenga presionado el botón RESTABLECER (RESET) durante más de 3 segundos para configurar el sincronizador y limpiar la pantalla.

**BATERÍA BAJA (LOW BATTERY):** Este mensaje se muestra cuando hay un problema con el voltaje de la batería. La pantalla se despejará automáticamente después de realizar mantenimiento a la batería.



*Nota:* Cuando aparezca el mensaje BATERÍA BAJA (LOW BATTERY) en la pantalla, tendrá prioridad ante los otros mensajes. Realice mantenimiento en la batería primero, luego revise los demás mensajes de mantenimiento.

## Operación

Lea la sección *Seguridad del operador* antes de operar esta máquina. Asegúrese de conocer los controles y cómo detener la unidad.

### Área de funcionamiento

1. Conozca el área donde planea operar la cortacésped.
2. Asegúrese de que el área esté libre de residuos u objetos que pudieran ser levantados por las cuchillas y arrojados.



Esta máquina es capaz de arrojar objetos que podrían lesionar a los transeúntes o causar daños a edificios.

- No opere la máquina sin que la totalidad del recogedor de césped, el conducto de descarga u otros dispositivos de seguridad estén colocados y en su debido funcionamiento. Verifique con frecuencia en busca de signos de desgaste o deterioro, y realice reemplazos según sea necesario.
  - Elimine del área de funcionamiento cualquier objeto que pudiera ser arrojado o interferir en el funcionamiento de la máquina.
3. Mueva la cortacésped tipo tractor, antes de encender el motor.



Los motores emiten monóxido de carbono, un gas venenoso, incoloro e inodoro. Respirar monóxido de carbono puede causar náuseas, desmayos, o incluso la muerte.

4. Tenga en cuenta todas las pendientes y puntos de descenso.



El funcionamiento en pendientes, cerca del agua o puntos de descenso puede causar pérdida del control y vuelco.

- Corte el césped en pendientes hacia arriba y hacia abajo y no hacia los costados.
  - Reduzca la velocidad y tenga cuidado en las pendientes.
  - No opere la unidad sobre pendientes de más de 10 grados, lo que equivale a 3,5 pies de elevación por 20 pies de longitud.
  - Manténgase a una distancia mínima equivalente al ancho de dos cortacésped del agua, paredes de retención o puntos de descenso.
  - Evitar cortar césped húmedo.
  - No opere la máquina en ninguna condición en donde dude de la tracción, la dirección o la estabilidad. Los neumáticos podrían deslizarse incluso si se detienen las ruedas.
  - Evite arrancar y detenerse en pendientes.
  - Evite realizar cambios repentinos en la velocidad o en la dirección.
  - Realice los giros de forma lenta y gradual.
  - Sea cuidadoso al operar la máquina con un recogedor de césped u otros aditamentos. Pueden afectar la estabilidad de la máquina.
  - Siga las recomendaciones del fabricante en cuanto a los límites de peso para equipos remolcados y remolque en pendientes. Consulte *Equipos remolcados*.
5. Asegúrese de que el área de operación esté libre de espectadores, especialmente los niños.



Esta cortacésped tipo tractor es capaz de amputar manos y pies.

- Detenga la cortacésped cuando haya niños u otras personas cerca.
- Mantenga a los niños fuera del área de funcionamiento y bajo la vigilancia atenta de otro adulto responsable.
- Nunca lleve pasajeros, especialmente niños, incluso con las cuchillas detenidas. Pueden caerse y resultar heridos de gravedad o interferir con la operación segura de la máquina. Los niños que han montado en una podadora en el pasado pueden aparecer repentinamente en la zona en la que está cortando el césped para que los lleve y pueden caerse o ser atropellados por la máquina.
- Tenga cuidado al acercarse a esquinas ciegas, arbustos, árboles u otros objetos que puedan dificultar la visión.

## Pruebas del sistema de interbloqueo de seguridad

Esta máquina está equipada con un sistema de interbloqueo de seguridad. No intente desviar ni alterar los interruptores y dispositivos.



### ADVERTENCIA

Si la máquina no pasa una prueba de seguridad, no la ponga en funcionamiento. Consulte con un distribuidor autorizado.

#### Prueba 1: El motor NO arrancará si:

- El interruptor de la toma de fuerza (PTO) está en ACTIVADO, O
- El pedal del freno NO está completamente presionado (freno de estacionamiento DESACTIVADO)

#### Prueba 2: El motor girará y arrancará si:

- El interruptor de PTO está APAGADO; Y
- El pedal del freno se oprimió completamente (freno de estacionamiento ACTIVADO).

#### Prueba 3: El motor se APAGARÁ si:

- El operador se levanta del asiento con la PTO activada, O
- El operador se levanta del asiento y NO presiona el pedal de freno completamente (con el freno de mano DESACTIVADO).

#### Prueba 4: Control del tiempo de parada de la cuchilla del cortacésped

Las cuchillas y la correa de transmisión de la cortacésped se detendrán por completo cinco segundos después de que la PTO esté en la posición DESACTIVADO. Si la correa de transmisión del cortacésped no se detiene en cinco segundos, consulte con un distribuidor de servicio autorizado.

#### Prueba 5: Verifique la opción de corte de césped marcha atrás (RMO)

- El motor se DETENDRÁ cuando se intente el desplazamiento marcha atrás con la PTO en la posición ACTIVADA y la opción de corte de césped marcha atrás (RMO) desactivada.
- La luz de RMO se encenderá cuando se active la opción RMO.



### PELIGRO

Cortar el césped marcha atrás puede ser peligroso para los transeúntes. Pueden ocurrir accidentes graves si el operador no está atento ante la presencia de niños. NO active la opción de corte de césped marcha atrás (RMO) si hay niños presentes. Los niños suelen sentirse atraídos por la máquina y por la actividad del cortacésped.

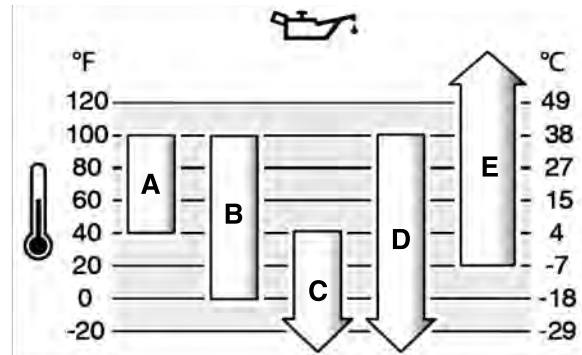
## Motor

## Revisión y adición de aceite de motor

Use aceite certificado con la Garantía

Briggs & Stratton® para obtener el mejor rendimiento. Otros aceites detergentes de alta calidad son aceptables si están clasificados para servicio SF, SG, SH, SJ o superior. No use aditivos especiales.

Las temperaturas exteriores determinarán la viscosidad adecuada del aceite para el motor. Use la tabla para seleccionar la mejor viscosidad para el margen de temperatura exterior que se espera.

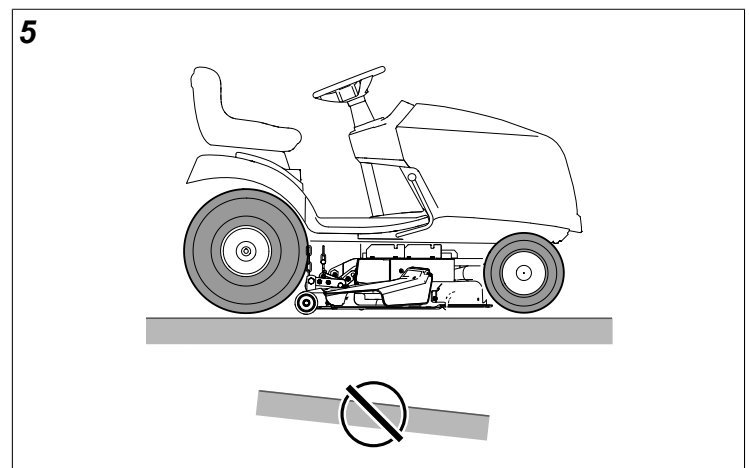


<b>A</b>	SAE 30 - El uso de SAE 30 a temperaturas inferiores a 40 °F (4 °C) provocará dificultades de arranque.
<b>B</b>	10W-30 - El uso de 10W-30 a temperaturas mayores a 80 °F (27 °C) puede provocar un aumento en el consumo de aceite. Revise el nivel de aceite con mayor frecuencia.
<b>C</b>	5W-30
<b>D</b>	5W-30 sintético
<b>E</b>	Vanguard® Sintético 15W-50

\*El uso de aceite SAE 30 en temperaturas inferiores a 40 °F (4 °C) producirá dificultad de arranque.

\*\*El uso de 10W-30 a temperaturas mayores a 80 °F (27 °C) puede provocar un aumento en el consumo de aceite.

1. Coloque la unidad en una superficie nivelada como se muestra en la Figura 5.

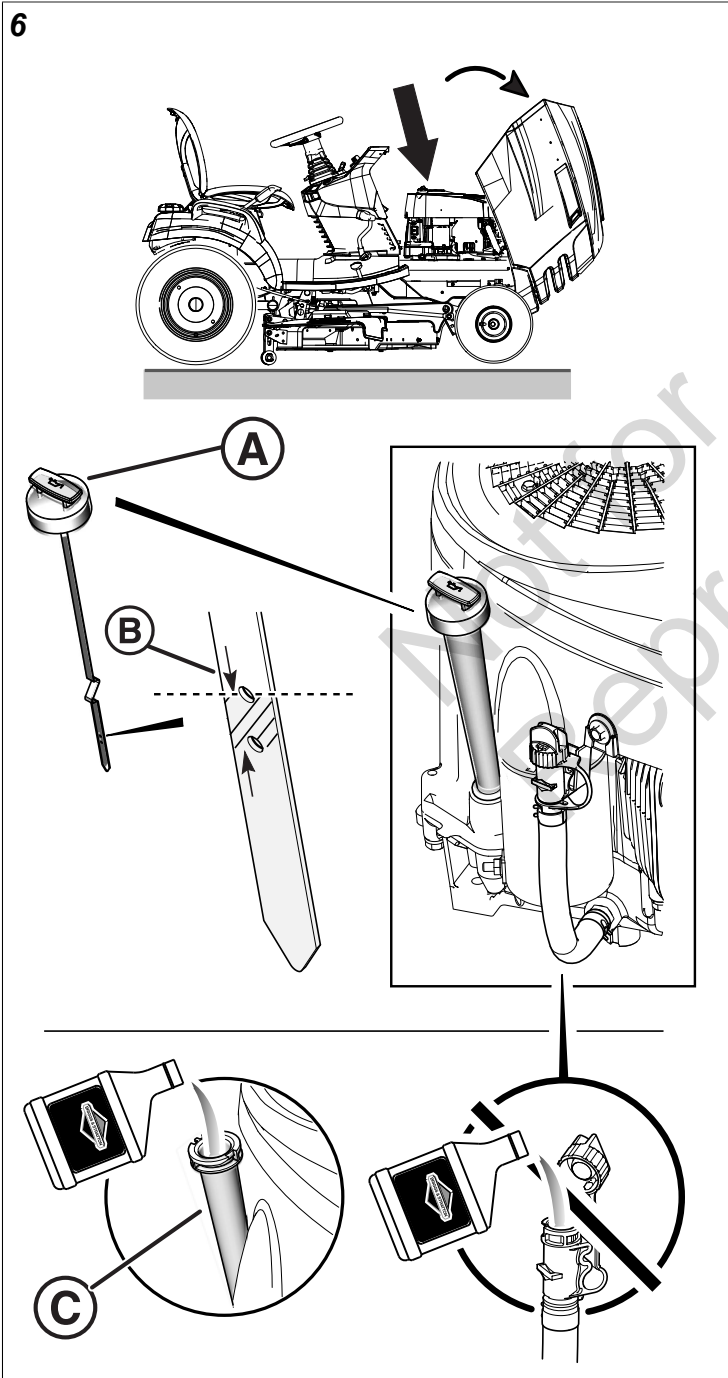


2. Detenga el motor y retire la llave. Asegúrese de que la zona de llenado del aceite esté limpia.
3. Retire la varilla de medición (A, Figura 6). Quite el aceite restante de la varilla de medición.
4. Instale la varilla de aceite y apriétela.

5. Retire nuevamente la varilla de medición y revise el nivel de aceite.
6. Asegúrese de que el nivel de aceite esté en la parte superior de la marca de LLENO (B) de la varilla de medición.
7. Si el nivel del aceite está en LLENO, vuelva a colocar la varilla indicadora y ajústela.
8. Si el nivel de aceite es BAJO, agregue aceite en el tubo de llenado de aceite (C).

*Nota:* NO agregue aceite en el drenaje rápido de aceite (si está equipado).

9. Espere un minuto y compruebe el nivel de aceite.
10. Instale la varilla de aceite y apriétela.



## Presión de aceite

Si la presión de aceite es demasiado baja, un interruptor de presión (si tiene) detendrá el motor o activará un dispositivo de advertencia en el equipo. Si esto ocurre, detenga el motor y revise el nivel de aceite con la varilla.

Si el nivel de aceite está bajo la marca AGREGAR, agregue aceite hasta que llegue a la marca LLENO. Arranque el motor y verifique la presión de aceite correcta antes de operar la máquina.

Si el nivel de aceite está entre las marcas AGREGAR y LLENO, **NO arranque el motor**. Comuníquese con un distribuidor de servicio autorizado para corregir el problema de presión del aceite.

## Recomendaciones acerca del combustible

### El combustible debe cumplir estos requisitos:

- Gasolina limpia, fresca y sin plomo.
- Un mínimo de 87 octanos u 87 AKI (91 RON). Para uso en grandes alturas, consulte a continuación.
- Se acepta gasolina con hasta un 10 % de etanol (gasohol).

**AVISO** No utilice gasolinas no aprobadas, como la E15 y la E85. No mezcle la gasolina con aceite ni modifique el motor para usarlo con combustibles alternativos. El uso de combustibles no aprobados puede dañar los componentes del motor, lo que no está cubierto por la garantía.

Para proteger el sistema de combustible de la formación de goma, mezcle el combustible con un estabilizador. Véase **Almacenamiento**. No todo el combustible es igual. Si ocurren problemas de arranque o de rendimiento, cambie el proveedor o la marca del combustible. Este motor está certificado para funcionar con gasolina. El sistema de control de emisiones para motores carburados es EM (modificaciones del motor). Los sistemas de control de emisiones para motores con inyección de combustible electrónica son ECM (módulo de control del motor), MPI (inyección multipuerto) y, si lo tiene, un O2S (sensor de oxígeno).

### Gran altitud

En alturas de más de 5.000 pies (1524 metros), una gasolina con un mínimo de 85 octano/85 AKI(89 RON) es aceptable.

Para motores carburados es necesario el ajuste para gran altitud a fin de conservar el rendimiento. El funcionamiento sin este ajuste genera una disminución del rendimiento, un aumento del consumo de combustible y un incremento en las emisiones. Para obtener información sobre el ajuste de alta altitud, póngase en contacto con un distribuidor de servicio autorizado de Briggs & Stratton. No se recomienda operar el motor a alturas inferiores a los 762 metros (2500 pies) con el ajuste para gran altura.

Para los motores de con inyección electrónica de combustible (EFI), no es necesario ningún ajuste para gran altitud.

## Cómo agregar combustible

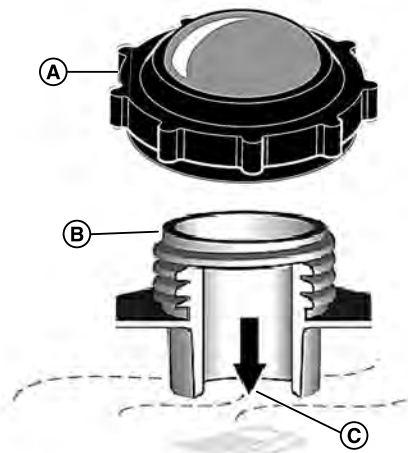


El combustible y sus vapores son extremadamente inflamables y explosivos. Siempre manipule el combustible con extremo cuidado. Si no cumple estas instrucciones de seguridad, puede provocar un incendio o una explosión, lo que podría provocar quemaduras graves o la muerte.

### Cuando agregue combustible

- Detenga el motor y deje que se enfríe por lo menos 3 minutos antes de quitar la tapa del combustible.
  - Apague cigarrillos, puros, pipas y cualquier otra fuente de ignición.
  - Llene el tanque de combustible en exteriores o en un área bien ventilada.
  - No llene excesivamente el tanque de combustible. Para permitir la expansión del combustible, no llene el tanque por arriba de la parte inferior del cuello.
  - Mantenga el combustible alejado de chispas, llamas abiertas, llamas piloto, calor y otras fuentes de ignición.
  - Verifique con frecuencia las tuberías de combustible, el tanque, la tapa y los conectores, para constatar si presentan grietas o fugas. Reemplace las piezas, si es necesario.
  - Si se derrama el combustible, espere hasta que se evapore antes de encender el motor y evite crear cualquier fuente de ignición.
  - Use solo un recipiente para combustible aprobado.
1. Retire el material no deseado de la zona de la tapa de combustible.
  2. Quite la tapa del combustible (A, Figura 7).
  3. Llene el tanque (B) con combustible. NO llene más arriba de la parte inferior del cuello del tanque de combustible (C).
  4. Instale la tapa de llenado de combustible.

7



## Arranque el motor



El combustible y sus vapores son extremadamente inflamables y explosivos.

El fuego o la explosión pueden causar quemaduras graves o la muerte.

### Cuando arranque el motor:

- Asegúrese de que la bujía, el silenciador, la tapa del combustible y el filtro de aire (si está equipado) estén instalados correctamente.
- No arranque el motor si retiró la bujía.
- Si el motor se ahoga, coloque el estrangulador (si se incluye) en la posición de ABIERTO/EN MARCHA, mueva el acelerador (si se incluye) a la posición de RÁPIDO y gire el motor hasta que encienda.

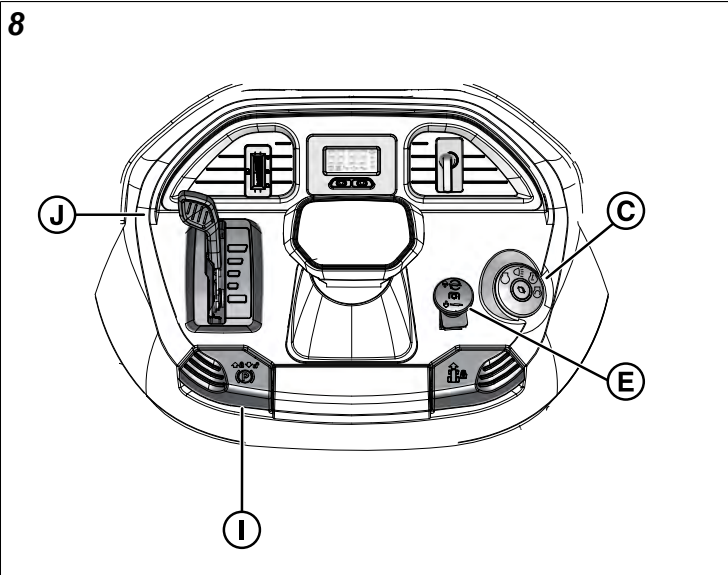


Los motores emiten monóxido de carbono, un gas venenoso, incoloro e inodoro.

Respirar monóxido de carbono puede causar náuseas, desmayos, o incluso la muerte.

El fuego o la explosión pueden causar quemaduras graves o la muerte.

- Arranque y opere el motor en exteriores.
  - No arranque el motor ni lo opere en un área cerrada, aun cuando las puertas o las ventanas se encuentren abiertas.
1. Verifique el nivel de aceite. Consulte *Revisión y adición de aceite de motor*.
  2. Asegúrese de que los controles de transmisión del equipo estén desactivados.
  3. Siéntese en el asiento y LEVANTE la palanca de ajuste del asiento para bloquearlo en posición.
  4. Active el control del freno de estacionamiento (I, Figura 8). Empuje el pedal del freno, tire del control del freno de estacionamiento HACIA AFUERA y suelte el pedal.



5. Presione el interruptor de la PTO (E) para desactivarlo.
6. Ajuste el control del acelerador/estrangulador (J) en la posición ESTRANGULADOR (si está equipado).
7. Inserte la llave en el interruptor de ignición (C) y gírela hasta la posición ARRANQUE. En el caso de los modelos de arranque con pulsador, presiónelo dos veces y sostenga hasta que el motor arranque.
8. Después de que el motor arranque, mueva el control del acelerador/estrangulador a velocidad media. Asegúrese de que el motor esté ENCENDIDO durante un mínimo de 30 segundos. De esta manera se calentará.
9. Mueva el controlador del acelerador/estrangulador a la posición RÁPIDO.

*Nota:* En caso de emergencia, gire el interruptor de ignición a la posición APAGADO. Esto DETENDRÁ el motor. Véase *Detención del motor*.

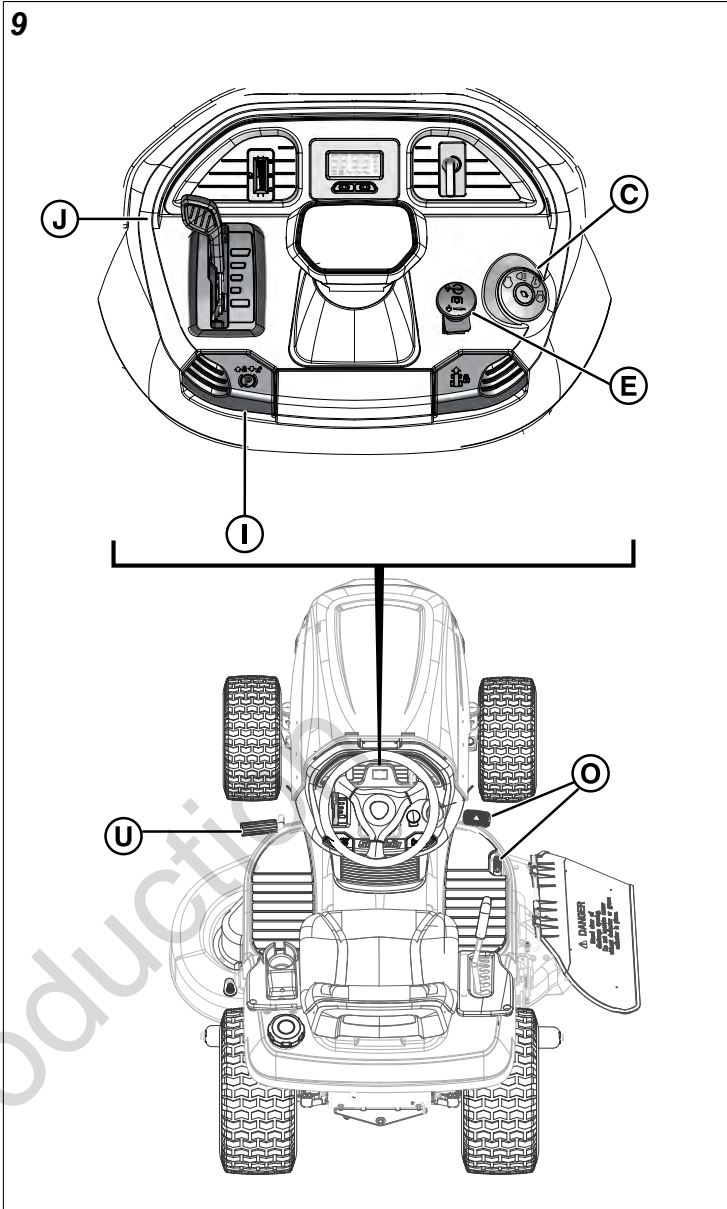
*Nota:* Si el motor no arranca después de 2 o 3 intentos, comuníquese con un distribuidor autorizado de servicio.

### Detenga el motor



El combustible y sus vapores son extremadamente inflamables y explosivos. El fuego o la explosión pueden causar quemaduras graves o la muerte.

- No estrangule el carburador para detenga el motor.
1. Suelte los pedales de velocidad de desplazamiento (O, Figura 9).



2. Desactive el interruptor de la toma de fuerza (PTO) (E). Espere que se detengan todas las piezas móviles.
3. Mueva el control del acelerador (J) a la posición LENTO.
4. Gire el interruptor de la llave de ignición (C) hacia la posición de APAGADO. Retire la llave.
5. Active el control del freno de estacionamiento (I). Presione el pedal del freno (U), tire del control del freno de estacionamiento hacia ARRIBA y suelte el pedal de freno.

En caso de emergencia, gire el interruptor de ignición a la posición APAGADO. Esto DETENDRÁ el motor.

### Operación del tractor

1. Siéntese en el asiento y ajústelo para alcanzar cómodamente todos los controles. Consulte *Características y controles*.
2. Accione el freno de estacionamiento:



- A. Presione hacia ABAJO el pedal del freno.
  - B. Tire del control del freno de estacionamiento HACIA ARRIBA.
  - C. Suelte el pedal del freno.
3. Desconecte la PTO.
  4. Arranque el motor. Consulte *Arranque el motor*.
  5. Desactive el freno de estacionamiento:
    - A. Presione hacia ABAJO el pedal del freno.
    - B. Presione hacia ADENTRO el control del freno de estacionamiento.
    - C. Suelte el pedal del freno.
  6. Presione hacia ABAJO en el pedal de control de velocidad para avanzar. Suelte el pedal para DETENERSE.
- Nota:* Cuanto más empujado hacia abajo esté el pedal, más rápido avanzará el tractor.
7. Detención del tractor:
    - A. Suelte los pedales de control de velocidad.
    - B. Coloque el freno de estacionamiento.
    - C. DETENGA el motor. Véase *Detención del motor*.

## Control de crucero

1. Presione hacia ABAJO el pedal de velocidad de desplazamiento (O, Figura 3) Consulte *Características y controles*.
2. Tire del control de crucero hacia ARRIBA cuando alcance la velocidad deseada. El control de crucero se bloqueará en una de sus cinco posiciones de bloqueo.
3. Presione el pedal del freno hacia ABAJO (U, Figura 3) o en el pedal de control de velocidad de desplazamiento para desconectar el control de crucero. Véase *Características y controles*.

## Corte del césped



Esta máquina es capaz de amputar manos y pies, y arrojar objetos. El incumplimiento en el seguimiento de las instrucciones de seguridad podría ocasionar lesiones graves o la muerte.

- Maneje la máquina solo durante el día o con luz artificial potente.
  - Evite los agujeros, surcos, desniveles, rocas u otros peligros ocultos.  
El terreno desnivelado puede provocar el vuelco de la máquina o hacer que el operador pierda el equilibrio o la postura.
  - No dirija la descarga de material hacia las personas. Evite descargar material contra una pared u obstrucción, ya que el material puede rebotar hacia el operador.
  - Detenga las cuchillas cuando cruce sobre superficies de grava.
  - No deje desatendida una máquina en ejecución. Siempre estacione sobre suelo nivelado, desactive el aditamento, accione el freno de estacionamiento, detenga el motor y retire la llave de acceso.
1. Active el control del freno de estacionamiento (I, Figura 3).
  2. Asegúrese de que el interruptor de la PTO (E) esté desactivado.
  3. Arranque el motor. Consulte *Arranque el motor*.
  4. Ajuste el control del acelerador (J) a la posición RÁPIDO.
  5. Active la PTO para activar las cuchillas de la cortacésped.
  6. Use el interruptor eléctrico de altura de corte (R) para ajustar la altura de corte al nivel deseado. Consulte *Ajuste de la altura de corte del cortacésped*.
  7. Desactive el control del freno de estacionamiento y, luego, comience a podar.
  8. Desconecte la PTO.
  9. DETENGA el motor. Véase *Detención del motor*.



El motor se APAGARÁ si se presiona el pedal de velocidad de desplazamiento marcha atrás mientras la PTO esté ACTIVADA y no se haya activado la RMO. Siempre desactive la PTO antes de operar el tractor. La pérdida de transmisión repentina puede crear un peligro.

## Ajuste la altura de corte del cortacésped

La palanca de elevación del cortacésped (Q, Figura 3) baja la plataforma a la posición de corte o la eleva a la posición de transporte.

1. Bajar la cubierta:

- A. Tire levemente la palanca de altura de la cortacésped.
  - B. Empuje la palanca de elevación de la cortacésped hacia la izquierda.
  - C. Empuje hacia ABAJO la palanca de elevación del cortacésped.
2. Elevar la plataforma:
- A. Tire de la palanca de altura del cortacésped hacia ARRIBA.
  - B. Trábelo en la muesca hacia la derecha.

*Nota:* NO corte cuando la plataforma esté en la posición elevada de transporte.

*Nota:* El interruptor de altura de corte (R, Figura 3) controla la altura de corte del cortacésped. Ajusta la altura de corte entre 1,5 y 3,5 in (2,5 a 8,9 cm). Consulte *Especificaciones*.

## Opción de corte de césped marcha atrás (RMO)



Cortar el césped marcha atrás puede ser peligroso para los transeúntes. Pueden ocurrir accidentes graves si el operador no está atento ante la presencia de niños. Los niños suelen sentirse atraídos por la máquina y por la actividad del cortacésped. Nunca dé por hecho que los niños vayan a permanecer en el último lugar en el que los vio.

- Mantenga a los niños fuera del área de funcionamiento y bajo la vigilancia atenta de otro adulto responsable.
- Nunca lleve pasajeros, especialmente niños, incluso con las cuchillas detenidas. Pueden caerse y resultar heridos de gravedad o interferir con la operación segura de la máquina. Los niños que han montado en una podadora en el pasado pueden aparecer repentinamente en la zona en la que está cortando el césped para que los lleve y pueden caerse o ser atropellados por la máquina.
- No corte el césped dando marcha atrás, a menos que sea absolutamente necesario. Siempre mire hacia abajo y hacia atrás antes y durante la marcha atrás.
- Si la máquina corta el césped marcha atrás sin tener activada la opción de corte de césped marcha atrás, consulte con un distribuidor autorizado de inmediato.



1. Conecte la toma de fuerza (PTO) (E, Figura 3).
2. Coloque la tecla (B) de opción de corte del césped marcha atrás (RMO) en la posición ENCENDIDO.
3. La luz LED se enciende.
4. El operador corta el césped marcha atrás.

*Nota:* Para restringir el acceso a la RMO, quite la llave.

# Mantenimiento



## ADVERTENCIA

Cualquier chispa generada involuntariamente podría causar incendio o descarga eléctrica.

Cualquier arranque involuntariamente podría causar enredo, amputación traumática o laceración.

### Antes de hacer ajustes y reparaciones:

- Desconecte el cable de la bujía. Manténgalo alejado de la bujía.
- En los motores con arranque eléctrico, desconecte la batería en el terminal negativo (-).
- Use SOLAMENTE las herramientas correctas.
- NO manipule el resorte del regulador, las conexiones u otras piezas para aumentar la velocidad del motor.
- Las piezas de repuesto deben ser del mismo diseño y deben ser instaladas en la misma posición que las piezas originales. Otras piezas pueden no funcionar de la misma manera, pueden dañar la unidad y pueden causar lesiones.
- NO golpee el volante con un martillo o un objeto duro, ya que este puede romperse durante la operación.

## Plan de mantenimiento

TRACTOR Y CORTACÉSPED
<b>Cada 8 horas o diariamente</b>
Verificación del sistema de interbloqueo de seguridad.
Elimine el material no deseado del tractor, plataforma del cortacésped y del compartimento del motor.
<b>Cada 25 horas o anualmente*</b>
Verificación de la presión de los neumáticos.
Verificación del tiempo de detención de la cuchilla del cortacésped.
Verifique el tractor y cortacésped para detectar piezas sueltas.
<b>Cada 50 horas o anualmente*</b>
Limpie la batería y los cables.
Verifique los frenos del tractor.
<b>Consulte con un distribuidor de servicio autorizado de Briggs &amp; Stratton anualmente</b>
Lubrique el tractor y el cortacésped.
Verifique las hojas de la cortacésped**

\*Lo que ocurra primero.

\*\*\*Verifique las cuchillas del cortacésped con más frecuencia en regiones con suelos arenosos o en condiciones de mucho polvo.

MOTOR
<b>Primeras 5 horas</b>
Cambie el aceite del motor.
<b>Cada 8 horas o diariamente</b>
Revise el nivel de aceite del motor.
<b>Cada 25 horas o anualmente*</b>
Limpie el filtro de aire y el prefiltro.**
<b>Cada 50 horas o anualmente*</b>
Cambie el aceite del motor.
Reemplace el filtro de aceite.

MOTOR
<b>Anualmente</b>
Reemplace el filtro de aire.
Reemplace el prefiltro.
<b>Consulte con el distribuidor anualmente para que</b>
Inspeccione el silenciador y el atrapachispas.
Reemplace las bujías.
Reemplace el filtro de combustible.
Limpie el sistema de refrigeración por aire.

\*Lo que ocurra primero.

\*\*Limpie más a menudo en condiciones de polvo o cuando haya material presente en el aire.

## Revisión de la presión de los neumáticos

Para obtener el mejor rendimiento de poda y la tracción correcta, asegúrese de que la presión de inflado de las llantas sea de 12 a 14 psi (0,82 a 0,96 bar). Consulte la verificación de la presión de los neumáticos en el *Plan de mantenimiento*. También consulte la sección presión del inflado del neumático en las *Especificaciones*.

*Nota:* Puede haber una diferencia en la presión de inflado de las llantas con respecto al "inflado máximo" que se muestra en los costados de las llantas.

## Mantenimiento de la batería

### Limpie la batería y los cables



#### ADVERTENCIA

Cuando quite o instale cables de la batería, siempre desconecte PRIMERO el cable NEGATIVO (negro) y vuelva a conectarlo por ÚLTIMO. Si no se sigue este orden, el terminal positivo puede provocar un cortocircuito con el armazón mediante una herramienta.

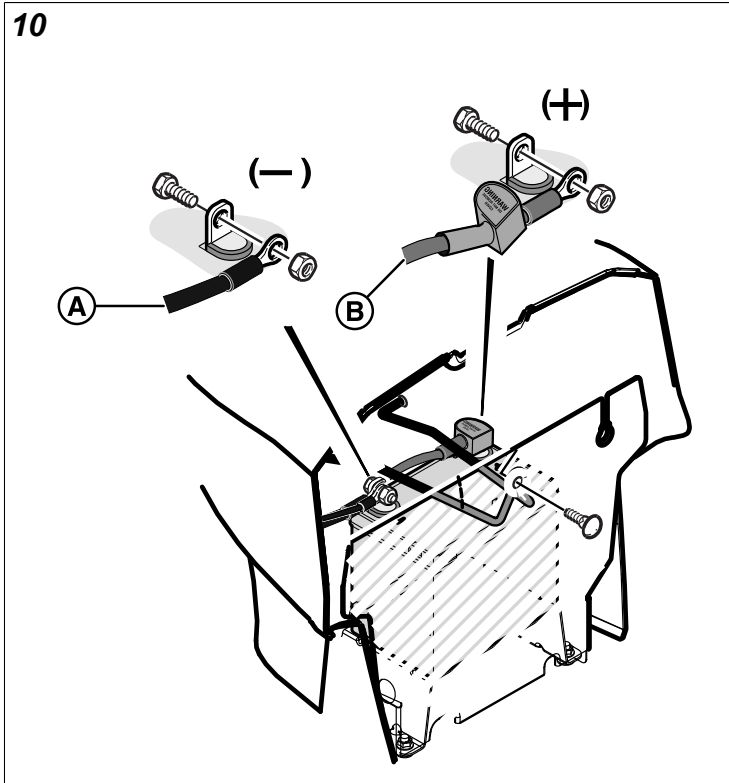
*Nota:* NO retire ni conecte un cable de la batería con el motor ENCENDIDO.

1. DETENGA el motor. Retire la llave.
2. Desconecte primero el cable NEGATIVO (-) de la batería (A, Figura 10).
3. Desconecte por último el cable POSITIVO (+) (B) de la batería.
4. Limpie la superficie de la batería con bicarbonato de soda y agua.
5. Utilice un cepillo de alambre y un limpiador de terminales para limpiar los terminales de la batería y los extremos de los cables.
6. Recubra los terminales de la batería con vaselina o grasa no conductora.
7. Instale la batería.
8. Conecte primero los cables POSITIVOS (+) a la batería.



9. Conecte los cables NEGATIVOS (-) a la batería por último.

10



### Cargue la batería



Mantenga las llamas abiertas y las chispas lejos de la batería. Los gases de la batería son muy explosivos.

Una batería sin carga o demasiado débil para arrancar el motor puede deberse a un defecto en el sistema de carga u otro componente eléctrico. Si existen dudas sobre la causa del problema, consulte con el distribuidor de servicio autorizado. Si necesita reemplazar la batería, vea *Limpie la batería y los cables*.

### Tiempo de detención de la cuchilla del cortacésped



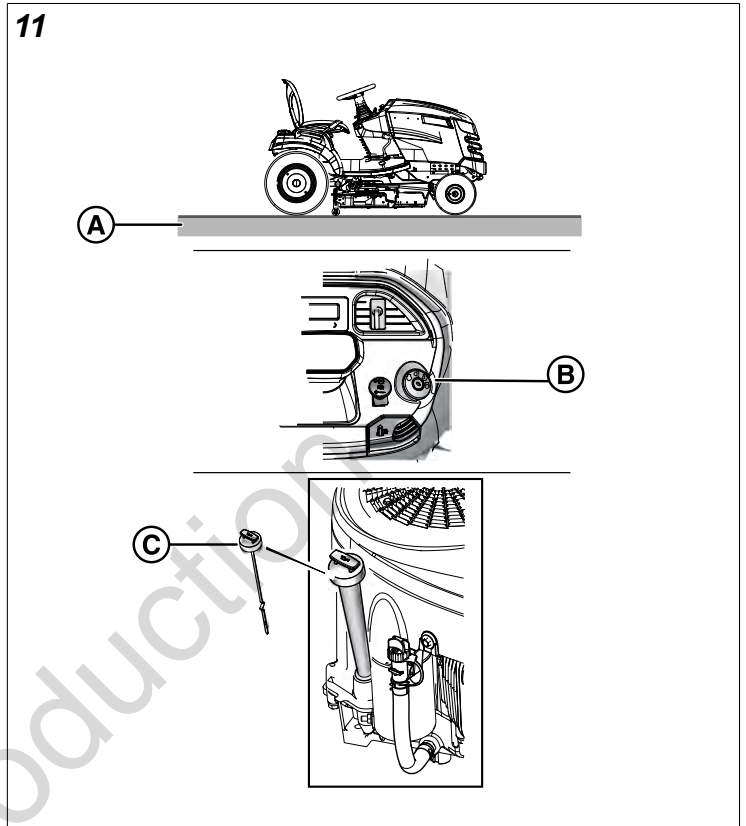
Si la cuchilla del cortacésped no se DETIENE en 5 segundos o menos, se debe ajustar el embrague. NO opere la máquina hasta que un distribuidor de servicio autorizado de Briggs & Stratton haya realizado el ajuste correcto.

Posterior al APAGADO del interruptor de la toma de fuerza (PTO), las cuchillas y la correa de transmisión del cortacésped deben DETENERSE en 5 segundos o menos. Si la correa de transmisión del cortacésped no se DETIENE en 5 segundos, comuníquese con el distribuidor de servicio autorizado de Briggs & Stratton para su reparación.

### Cambie el aceite del motor

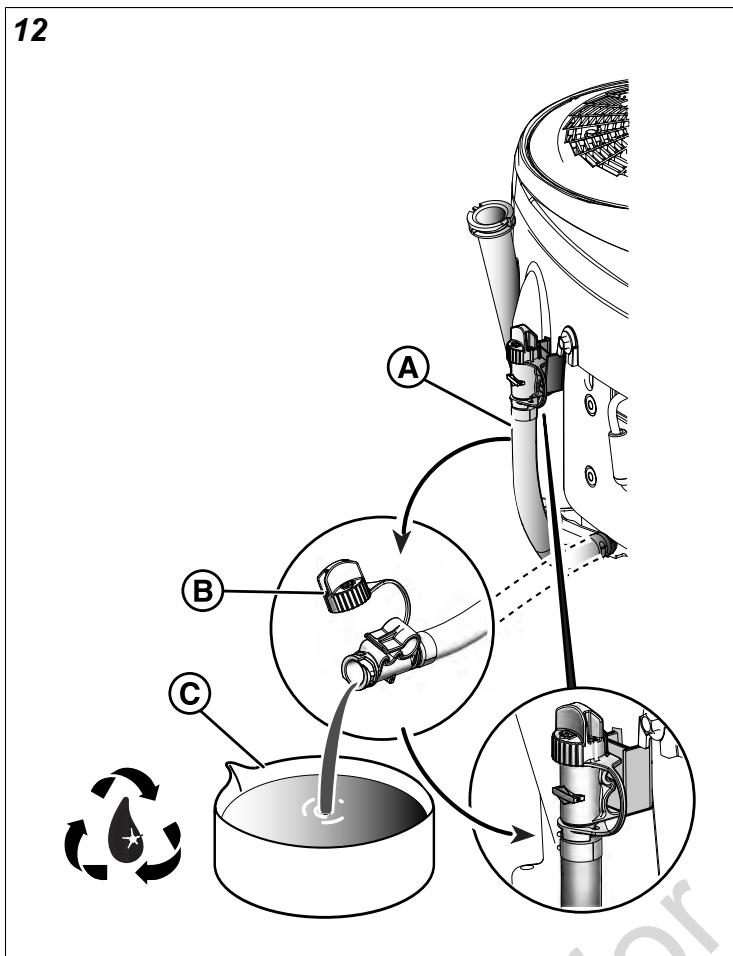
1. Coloque el tractor en una superficie nivelada (A, Figura, 11).
2. Detenga el motor y retire la llave de acceso (B).
3. Limpie las áreas de la tapa de llenado de aceite y del filtro.
4. Retire la varilla de medición (C).

11



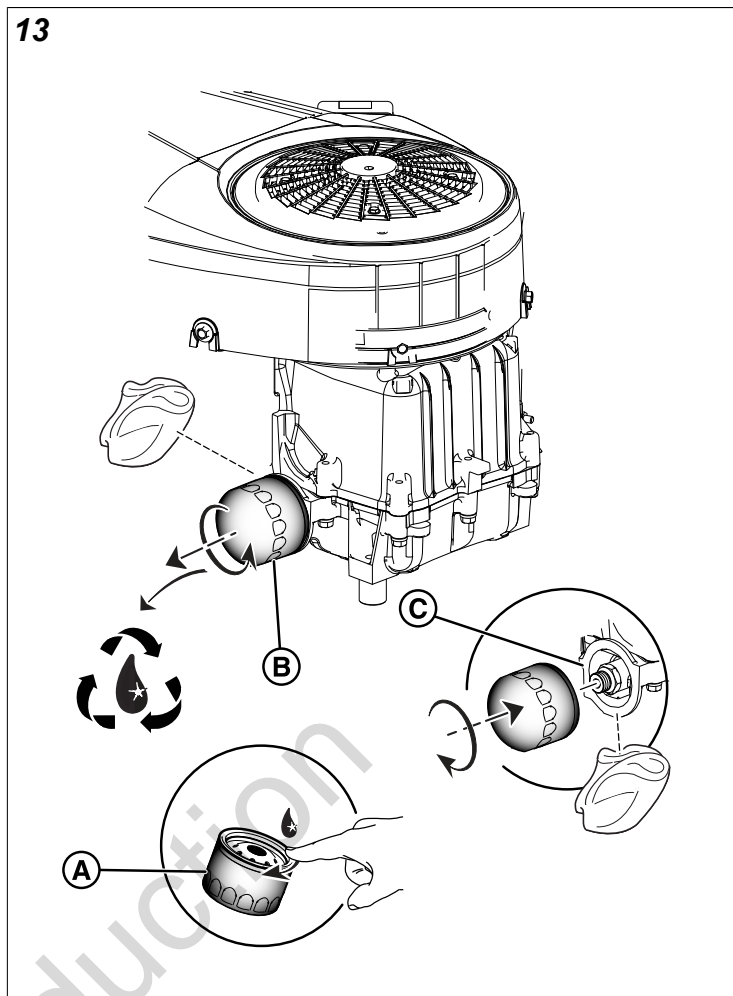
5. Desconecte la manguera de drenaje de aceite (A, Figura 12)
6. Retire con cuidado la tapa (B), y baje la manguera hasta un recipiente aprobado (C).

12



7. Después de que se ha vaciado el aceite, instale bien la tapa, y luego monte la manguera en el lado del motor.
8. Retire el filtro de aceite (B, Figura 13) y descártelo.
9. Lubrique levemente la empaquetadura del filtro de aceite (A) con aceite limpio.
10. Instale el filtro de aceite con la mano hasta que la junta haga contacto con el adaptador del filtro (C). Luego, apriételo  $\frac{1}{2}$  a  $\frac{3}{4}$  de vuelta.

13



11. Agregue aceite. Consulte la sección *Revise y agregue aceite*.

### Conjunto del filtro de aire (cartucho con prelimpiador)



**ADVERTENCIA**

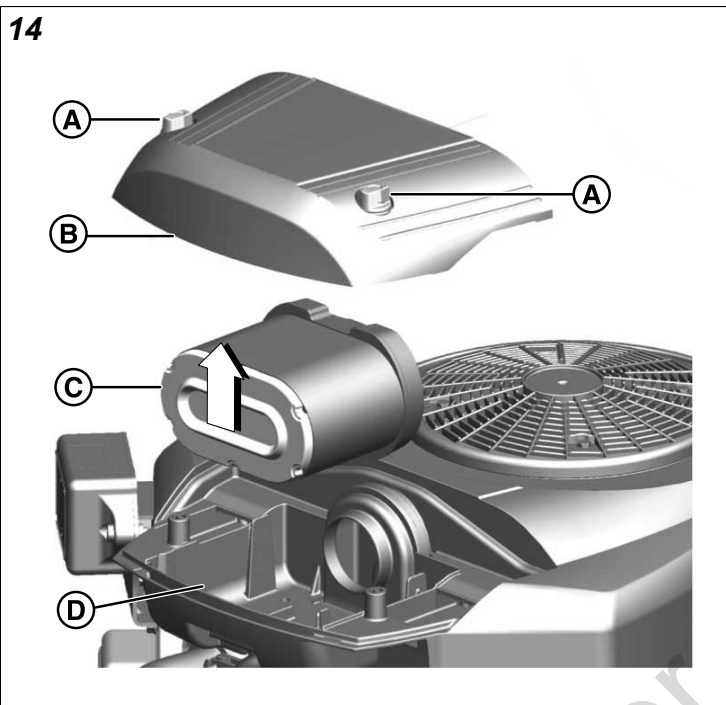
NO arranque ni ponga el motor en funcionamiento si se ha quitado el conjunto del filtro de aire o el filtro de aire, ya que esto genera un peligro de incendio.

**AVISO** NO use aire presurizado ni solventes para limpiar el filtro de aire. El aire presurizado puede dañar el filtro y los solventes lo disolverán.

1. Afloje los sujetadores (A, Figura 14) y remueva la cubierta (B).
2. Retire el conjunto de filtro de aire (C) y desmóntelo.
3. Retire cualquier posible material no deseado o residuo que pueda entrar en la boca del carburador (D).
4. Retire el prelimpiador del filtro de aire.
5. Golpee ligeramente el filtro de aire sobre una superficie dura para aflojar los residuos. Si el filtro de aire está sucio, reemplácelo.

6. Impregne el prefiltro con detergente líquido y agua. Permita que se seque al aire libre. NO lubrique el prefiltro.
7. Monte el prelimpiador seco en el filtro de aire.
8. Instale el conjunto de filtro de aire.
9. Instale la cubierta y apriete los sujetadores.

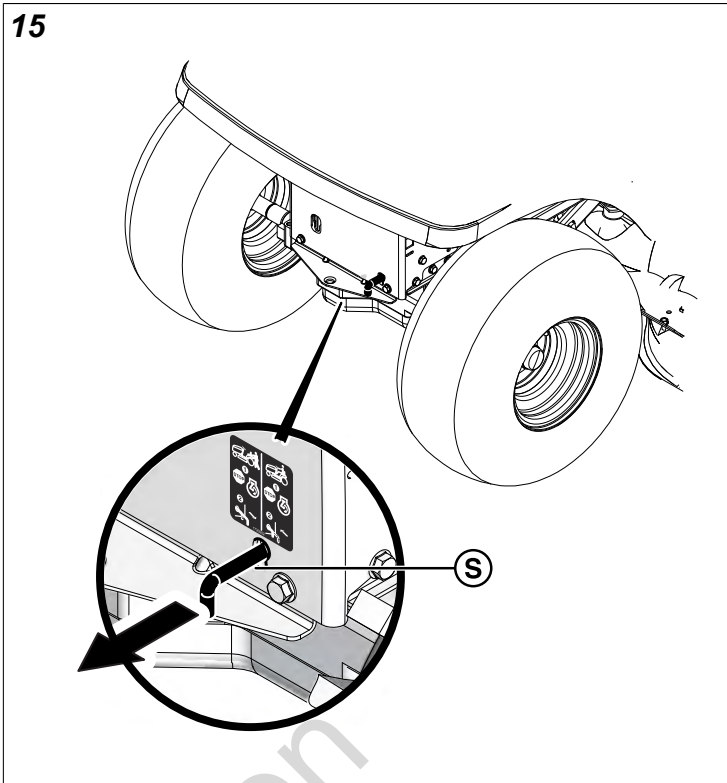
14



## Cómo empujar el tractor manualmente

1. Desconecte la toma de fuerza (PTO) (E, Figura 3).
2. DETENGA el motor. Véase *Detención del motor*.
3. Tire la palanca de liberación de la transmisión (S, Figura 15). Luego, empuje la palanca hacia abajo para bloquearla en su posición.

15



4. El tractor se puede empujar manualmente.



### ADVERTENCIA

Remolcar la unidad causará daños a la transmisión. No use otro vehículo para empujar o remolcar esta unidad. No accione la palanca de liberación de la transmisión mientras el motor esté ENCENDIDO.

## Revise las bujías



### ADVERTENCIA

Cualquier chispa generada involuntariamente podría causar incendio o descarga eléctrica.

Cualquier arranque involuntariamente podría causar enredo, amputación traumática o laceración.

### Cuando haga pruebas de chispa:

- Use un probador de bujías aprobado.
- NO revise si hay chispas con la bujía extraída.

**AVISO** Las bujías tienen distintos márgenes de calor. Es importante que se use la bujía correcta, de lo contrario, se pueden producir daños en el motor. Reemplace la bujía con una del mismo tipo o una equivalente.

## Limpie las bujías

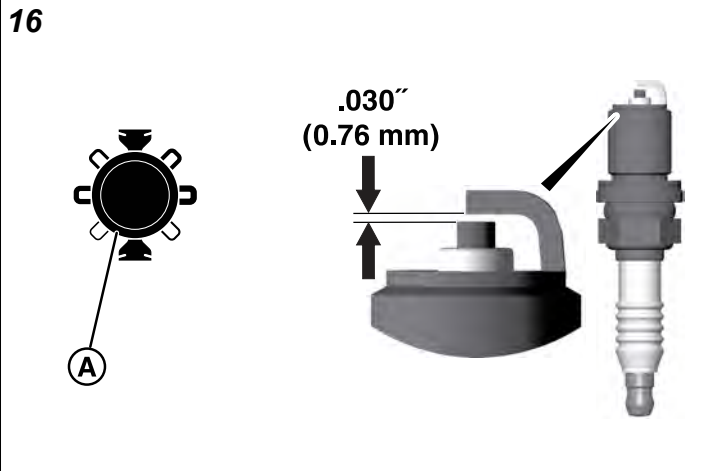
Limpie las bujías con un cepillo de alambre y un cuchillo resistente. NO use productos abrasivos.

## Compruebe la apertura de la bujía

Use un calibrador de bujías (A, Figura 16) para comprobar la brecha entre los dos electrodos. Cuando la brecha sea la

correcta, el calibre se resistirá levemente mientras lo empuja por la brecha.

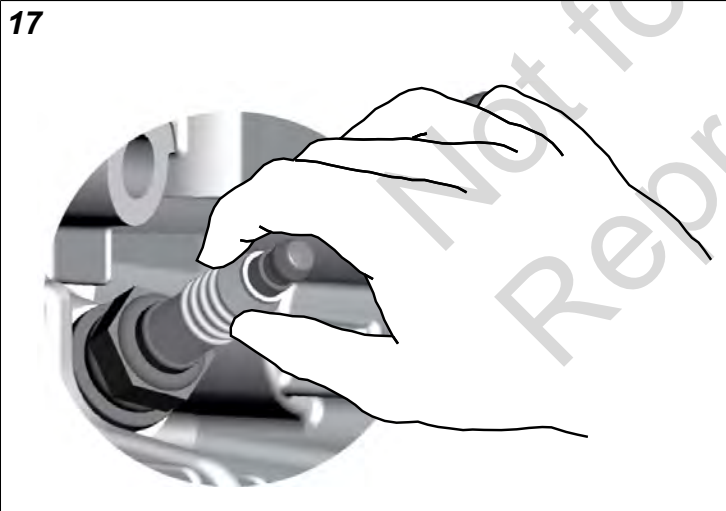
Para ajustar la apertura de la bujía, use un calibrador de bujías y suavemente doble el electrodo curvo. Asegúrese de no tocar el electrodo central ni la porcelana.



### Instalar las bujías de encendido

Apriétela con los dedos, luego hágalo con una llave, como se muestra en la Figura 17.

- 180 pulg-lb (20 Nm), O
- 1/2 vuelta cuando instale la bujía de encendido original, O
- 1/4 de vuelta cuando instale una bujía nueva.



### Equipos remolcados

1. Antes de remolcar la unidad, asegúrese de que el enganche esté diseñado para remolcar.
2. Sujete el equipo remolcado SOLO en el punto de enganche.
3. Para equipos remolcados y remolques en pendientes, asegúrese de que las recomendaciones sobre límites de peso sean correctas.

- Peso bruto (remolque y carga) de 400 lb (181,4 kg).
- Máximo de 20 lb (9,1 kg) pie arriba o abajo sobre la lengua.

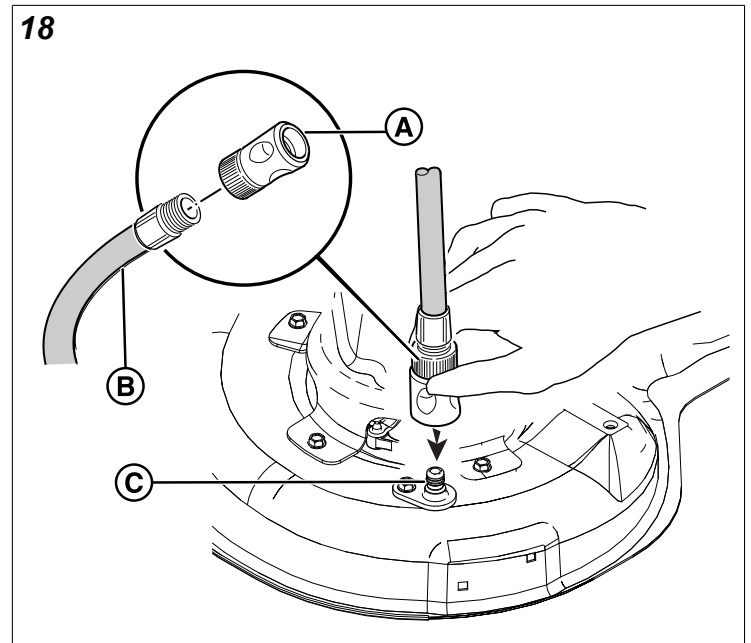
- Pase de un límite de 10° a un límite de 5° en pendientes.

4. NO deje que los niños u otras personas entren en el equipo remolcado o sobre él.
5. El peso del equipo remolcado en pendientes puede causar pérdida de tracción y pérdida de control.
6. NO cambie a posición neutral y deje avanzar sola la unidad bajando la pendiente.

### Limpie la plataforma del cortacésped (si está equipada)

*Nota:* Use el puerto de lavado (C, Figura 18) para limpiar la parte inferior de la plataforma del cortacésped.

1. Coloque el tractor en una superficie de nivel lisa.
2. Adjunte la desconexión rápida (A, Figura 18) a la manguera de jardín (B) y, luego, conecte al puerto de lavado (C) en la plataforma del cortacésped.
3. ABRA el agua.
4. Arranque el motor. Consulte *Arranque el motor*.
5. Configure la altura de corte en la posición más alta. Consulte *Ajuste la altura de corte del cortacésped*.
6. Active la toma de fuerza (PTO) para activar las cuchillas del cortacésped. La rotación de las cuchillas y del agua limpiará la parte inferior de la plataforma del cortacésped.
7. Desconecte la PTO.
8. Detenga el motor. Véase *Detención del motor*.
9. CIERRE el agua.
10. Retire la manguera de jardín y desconecte rápidamente del puerto de lavado (C).



# Almacenamiento



Nunca almacene la unidad (con combustible) en una estructura cerrada y con poca ventilación. Los vapores del combustible pueden llegar hasta una fuente de ignición (hornos, calentadores de agua, etc.) y producir una explosión.

- Almacene lejos de hornos, estufas, calentadores de agua u otros aparatos que utilicen luces piloto u otras fuentes de ignición ya que estos pueden encender los vapores de gasolina.

## Equipo

APAGUE la toma de fuerza (PTO) y ponga el freno de estacionamiento. Retire la llave de acceso. Deje enfriar la máquina.

Si retira la batería, la duración de la batería aumentará. Asegúrese de que la batería esté en un lugar fresco y seco, y manténgala completamente cargada. Si se deja la batería en la unidad, desconecte el cable negativo.

## Sistema de combustible

El combustible puede echarse a perder cuando se conserva en un contenedor de almacenamiento durante más de 30 días. Cada vez que llene el contenedor con combustible, agregue STA-BIL 360°<sup>®</sup> PROTECTION™ al combustible tal como se especifica en las instrucciones del fabricante. Esto lo mantiene fresco y disminuye los problemas relacionados con el combustible o la contaminación en el sistema de combustible.

No es necesario drenar el combustible del motor cuando STA-BIL 360°<sup>®</sup> PROTECTION™ se agrega según las instrucciones. Antes de su almacenamiento, ENCENDIDO el motor durante 2 minutos para que el combustible y el estabilizador recorran todo el sistema de combustible.

## Antes de arrancar la máquina después de su almacenamiento:

- Revise los niveles de todos los líquidos. Revise todos los elementos de mantenimiento.
- Realice todos los controles y procedimientos recomendados que se encuentran en este manual.
- Asegúrese de que el motor esté caliente antes de usarlo.

# Solución de problemas

## Solución de problemas del cortacésped

PROBLEMA	BUSQUE	SOLUCIÓN
El motor no girará ni arrancará.	El pedal del freno no está oprimido.	Presione totalmente el pedal del freno.
	El tanque de combustible está vacío.	Si el motor está caliente, permita que se enfríe, luego vuelva a llenar el tanque de combustible.
	El interruptor de la PTO está en posición ENCENDIDO.	Coloque el interruptor PTO en la posición APAGADO.
	El control de cruceo está activado.	Ajuste el control de cruceo en la posición de NEUTRO/APAGADO.
	El motor está inundado.	Desconecte el estrangulador.
	Los terminales de la batería están sucios.	Consulte <i>Limpie la batería y los cables</i> .
	La batería está descargada o agotada.	Cargue o cambie la batería.
	El cableado está suelto o roto.	Inspeccione visualmente el cableado. Si los cables están rotos o pelados, consulte con un distribuidor autorizado.
El motor no arranca bien o no funciona bien.	La mezcla de combustible tiene un octanaje demasiado alto.	Limpie el filtro de aire.
El motor golpea.	Bajo nivel de aceite.	Compruebe el nivel de aceite y, si es necesario, agregue aceite.
	Grado incorrecto de aceite.	Consulte la sección <i>Revisión del motor y agregado de aceite</i> .
Consumo excesivo de aceite.	El motor está demasiado caliente.	Revise las aletas de refrigeración del motor, la rejilla del ventilador y el filtro del aire (si está equipado).
	Grado incorrecto de aceite.	Consulte la sección <i>Revisión del motor y agregado de aceite</i> .
	Hay demasiado aceite en la caja del cigüeñal.	Vacíe el exceso de aceite.
El escape del motor está negro.	El filtro de aire está sucio.	Consulte la sección <i>Ensamblaje del filtro de aire</i> .
	El estrangulador está cerrado.	Abra el estrangulador.
El motor funciona, pero el tractor no avanza.	Los pedales de control de la velocidad no están presionados.	Oprima los pedales de control de la velocidad.
	La palanca de liberación de la transmisión está en la posición EMPUJAR.	Mueva la palanca de liberación de la transmisión a la posición MARCHA.
	El freno de estacionamiento está activado.	Desactive el freno de estacionamiento.
El tractor gira con dificultad o maniobra de manera deficiente.	Inflado incorrecto del neumático.	Consulte la sección <i>Verificación de la presión de los neumáticos</i> .

*Nota:* Para todos los demás problemas, comuníquese con un distribuidor de servicio autorizado.

## Solución de problemas del cortacésped

PROBLEMA	BUSQUE	SOLUCIÓN
El corte de la cortacésped es disparejo.	Los neumáticos no están inflados correctamente.	Consulte la sección <i>Verificación de la presión de las llantas</i> .
El corte de la cortacésped luce irregular.	La velocidad del motor está demasiado baja.	Establezca en aceleración RÁPIDO.
	La velocidad de tierra está demasiado rápida.	Reduzca la velocidad.
El motor se detiene con facilidad cuando la cortacésped está activada.	La velocidad del motor está demasiado baja.	Establezca en aceleración RÁPIDO.
	La velocidad de tierra está demasiado rápida.	Reduzca la velocidad.
	El filtro de aire está sucio u obstruido.	Consulte la sección <i>Ensamblaje del filtro de aire</i> .
	La altura de corte está demasiado baja.	En la primera pasada, corte el césped alto a la altura máxima de corte.
	El motor no está a la temperatura de funcionamiento.	ARRANQUE el motor y permita que se caliente durante varios minutos.
El motor arranca y el tractor avanza, pero el cortacésped no corta.	La toma de fuerza (PTO) está desactivada.	Active la PTO.

*Nota:* Para todos los demás problemas, comuníquese con un distribuidor de servicio autorizado.

Not for  
Reproduction

# Especificaciones

## Tabla de especificaciones

Ítem	2691556, 2691663, 2691910	2691557, 2691911	2691664
Motor	Intek™ Briggs & Stratton	Intek™ Briggs & Stratton	Professional Series™ Briggs & Stratton
Cilindrada	724 cc	724 cc	724 cc
Sistema eléctrico	de 9-Amperios	de 9-Amperios	de 9-Amperios
Batería	12 V, 230 CCA	12 V, 230 CCA	12 V, 230 CCA
Capacidad de aceite	64 oz (1,9 l)	64 oz (1,9 l)	64 oz (1,9 l)
Entrehierro de la bujía	0,030 pulg (0,76 mm)	0,030 pulg (0,76 mm)	0,030 pulg (0,76 mm)
Torque de la bujía	180 lb-pulg (20 Nm)	180 lb-pulg (20 Nm)	180 lb-pulg (20 Nm)
Capacidad del tanque de combustible	3,5 gal (13,2 l)	3,5 gal (13,2 l)	3,5 gal (13,2 l)
<b>Transmisión</b>			
Marca y tipo	Tuff Torq® K46	Tuff Torq® K46	Tuff Torq® K46
<b>Plataforma del cortacésped</b>			
Ancho del Corte	42 pulg (107 cm)	46 pulg (117 cm)	48 pulg (122 cm)
Cantidad de cuchillas	2 elevaciones estándar	3 elevaciones estándar	3 elevaciones estándar
Altura de corte	1,5 a 3,5 pulg (3,8 a 8,9 cm)	1 a 3,5 pulg (2,5 a 8,9 cm)	1,5 a 3,5 pulg (3,8 a 8,9 cm)
<b>Chasis</b>			
Tamaño de las ruedas delanteras	15 x 6-6	15 x 6-6	15 x 6-6
Presión de inflado de las ruedas delanteras	12 a 14 psi (0,82 a 0,96 bar)	12 a 14 psi (0,82 a 0,96 bar)	12 a 14 psi (0,82 a 0,96 bar)
Tamaño de las ruedas traseras	20 x 10-8	20 x 8-8	20 x 10-8
Presión de inflado de las ruedas traseras	10 psi (0,68 bar)	10 psi (0,68 bar)	10 psi (0,68 bar)

## Advertencia de potencia nominal

**Clasificación de potencia:** la clasificación de potencia bruta para los modelos de motores de gasolina individuales está etiquetada de acuerdo con el código de potencia del motor pequeño y el índice de torque de SAE (Sociedad de ingenieros automotrices) J1940, y se clasifica de acuerdo con SAE J1995. Los valores de torque se obtienen a 2600 RPM para los motores con "rpm" indicado en la etiqueta y 3060 RPM para todos los demás. Los valores de potencia se obtienen a 3600 RPM. Las curvas de potencia bruta se pueden ver en [www.BRIGGSandSTRATTON.COM](http://www.BRIGGSandSTRATTON.COM). Los valores de potencia neta se obtienen con un filtro de aire y un escape instalados, mientras que los valores de potencia bruta se recopilan sin estos aditamentos. La potencia bruta real del motor es mayor que la potencia neta del motor y depende, entre otros factores, de las condiciones ambientales de uso y de las variaciones entre los motores. Dada la amplia gama de productos donde se colocan los motores, el motor de gasolina puede no desarrollar la potencia bruta nominal cuando se usa en un equipo de potencia determinado. Esta diferencia se debe, entre otros, a los siguientes factores: variedad de componentes del motor (purificador de aire, escape, carga, enfriamiento, carburador, bomba de combustible, etc.), limitaciones de la aplicación, condiciones ambientales de uso (temperatura, humedad, altitud) y variaciones entre los motores. Debido a limitaciones de fabricación y capacidad, Briggs & Stratton puede sustituir un motor de una potencia nominal mayor por este motor.



# Table des matières:

<b>Renseignements généraux.....</b>	<b>46</b>
<b>Coordonnées du contact du bureau européen.....</b>	<b>46</b>
<b>Union européenne (UE) Phase V (5) : Valeurs de dioxyde de carbone (CO2).....</b>	<b>46</b>
<b>Sécurité de l'utilisateur.....</b>	<b>46</b>
Conserver ces directives.....	46
Guide d'identification de pente.....	46
Les symboles de sécurité et leur signification.....	47
Symbole d'alerte de sécurité et mots de signal.....	47
Autocollants de sécurité.....	48
Messages de sécurité.....	49
<b>Caractéristiques et commandes.....</b>	<b>49</b>
Symboles de commande et significations.....	49
Modes d'affichage électronique de l'entretien.....	50
<b>Fonctionnement.....</b>	<b>51</b>
Zone d'utilisation.....	51
Essais du système d'interverrouillage de sécurité.....	52
Moteur.....	52
Fonctionnement du tracteur.....	56
<b>Entretien.....</b>	<b>58</b>
Calendrier d'entretien.....	58
Vérification de la pression des pneus.....	58
Entretien de la batterie.....	58
Temps d'arrêt de la lame de la tondeuse.....	59
Vidange d'huile moteur.....	59
Assemblage du filtre à air (cartouche avec préfiltre).....	60
Déplacement du tracteur à la main.....	61
Vérifier la bougie d'allumage.....	61
Équipement remorqué.....	62
Nettoyer le tuyau d'échappement (si équipé).....	62
<b>Entreposage.....</b>	<b>63</b>
<b>Dépannage.....</b>	<b>64</b>
Dépannage de la tondeuse autoportée.....	64
Dépannage de la tondeuse.....	64
<b>Spécifications.....</b>	<b>65</b>
Tableau des spécifications .....	65
Clause de non-responsabilité sur la puissance.....	65

## Renseignements généraux

Pour un complément d'information, voir le *Guide des contacts à l'intention du client* qui accompagne l'appareil.

Les illustrations de ce document sont à titre représentatif seulement. Votre appareil peut sembler différent des illustrations. Les directions *GAUCHE* et *DROITE* sont indiquées depuis la position de l'opérateur.

L'utilisation des mentions Important et Remarque dans le texte indique des clarifications, des exceptions ou des options aux procédures fournies.

Toutes les traductions de ce document sont réalisées à partir du texte source anglais original.



Tout le matériel d'emballage, les huiles usées et les batteries devraient être recyclés selon la réglementation gouvernementale en vigueur.

## Coordonnées du contact du bureau européen

Pour des questions concernant les émissions européennes, veuillez contacter notre bureau européen à :

**Max-Born-Straße 2, 68519 Viernheim, Allemagne.**

## Union européenne (UE) Phase V (5) : Valeurs de dioxyde de carbone (CO<sub>2</sub>)

Le certificat d'approbation de type des valeurs de dioxyde de carbone de Briggs & Stratton® UE se trouve en saisissant CO2 dans la fenêtre de recherche sur [BriggsandStratton.com](http://BriggsandStratton.com).

## Sécurité de l'utilisateur

### Conserver ces directives

#### Conserver ces directives aux fins de référence

**ultérieure.** Ce manuel contient de l'information de sécurité pour vous sensibiliser aux risques associés à ce produit et vous permettre de les éviter. Il contient également des instructions importantes qui doivent être observées lors de la configuration initiale, de l'utilisation et de l'entretien de ce produit.

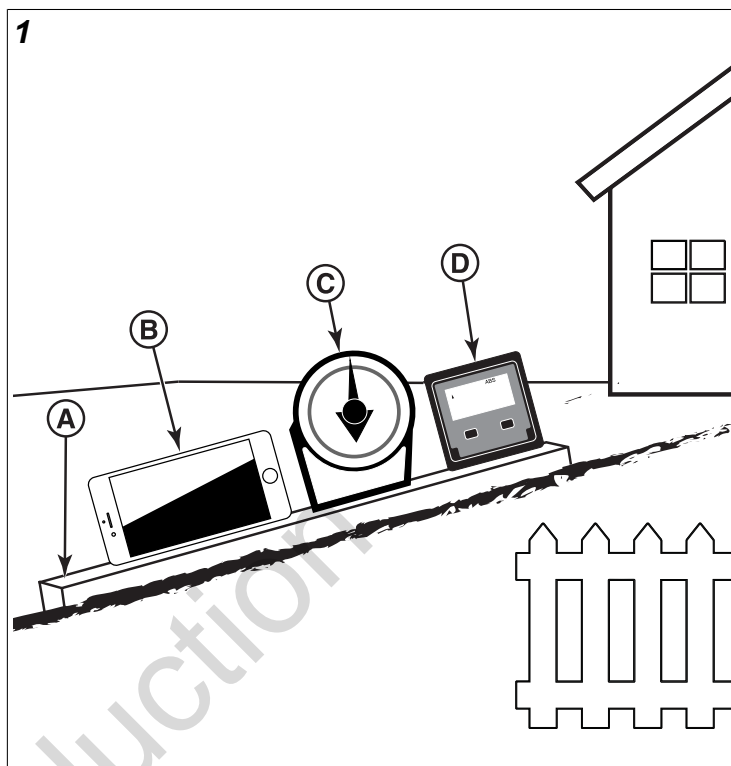
Ce produit est conçu et destiné à la coupe d'un gazon bien entretenu, il n'est pas destiné à d'autre but.

Il est important de lire et comprendre ces instructions avant de faire démarrer ou d'utiliser cet équipement.

Veiller à connaître les contrôles et la bonne utilisation du produit.

Sachez comment arrêter l'unité et désactiver les commandes rapidement.

## Guide d'identification de pente



Comment mesurer la pente de la surface d'une pelouse à l'aide d'un téléphone intelligent ou d'un détecteur d'angle :



### AVERTISSEMENT

Ne pas utiliser sur des pentes de plus de 10 degrés.

1. Utiliser un bord droit d'au moins deux (2) pieds de long (A, Figure 1). Un 2 x 4 ou un morceau de métal droit fonctionnent tout aussi bien.
2. Outils détecteurs d'angles.
  - a. **Utiliser un téléphone intelligent :** De nombreux téléphones intelligents (B, Figure 1) ont un inclinomètre (détecteur d'angle) sous l'application du compas (app). Ou bien, cherchez une application d'inclinomètre dans le app store.
  - b. **Utiliser des détecteurs d'angle :** Des détecteurs d'angle (C et D, Figure 1) se trouvent dans les quincailleries ou en ligne (s'appellent aussi inclinomètre, rapporteur, goniomètre ou jauge d'angle). Le type à cadran (C) ou le type numérique (D) fonctionne alors que d'autres peuvent ne pas fonctionner. Lire et respecter les directives fournies avec l'inclinomètre.

3. Placer le bord droit de deux (2) pieds de long sur le bord le plus escarpé de la pente de la pelouse. Placer le panneau en montant et en descendant la pente.
4. Placer à plat le téléphone intelligent ou l'inclinomètre sur le bord droit et lire l'angle en degrés. Voici la pente de votre pelouse.

*Remarque :* Un guide d'identification de pente (jauge de papier) est inclus dans la documentation du produit et peut également être téléchargé à partir du site Web du fabricant.

## Les symboles de sécurité et leur signification

Symbole	Signification
	Information de sécurité au sujet des dangers qui peuvent causer de blessures corporelles.
	Lire et assimiler le Manuel de l'opérateur avant de faire fonctionner ou d'entretenir l'appareil.
	Retirer la clé et lire le Manuel de l'opérateur avant de faire l'entretien de l'appareil.
	Butée
	Risque d'incendie
	Risque d'explosion
	Risque de choc électrique
	Risque de vapeurs toxiques
	Pièces mobiles

Symbole	Signification
	Porter des lunettes de protection.
	Produit chimique dangereux
	Risque de surface chaude
	Risque d'amputation
	Risque de projection d'objets
	Se tenir à une distance sécuritaire
	Garder hors de la portée des enfants
	Risque d'amputation
	Risque de renversement
	Risque de renversement

## Symbole d'alerte de sécurité et mots de signal

Le symbole d'alerte de sécurité identifie l'information de sécurité relative aux dangers pouvant causer des blessures. Un mot de signalisation (**DANGER**, **AVERTISSEMENT** ou **ATTENTION**) est utilisé conjointement avec le symbole d'alerte pour indiquer la possibilité et la gravité des blessures

potentielles. En plus, un symbole de danger peut être utilisé pour représenter un type de danger.

**⚠ DANGER** indique un danger qui, si non évité, provoquera la mort ou des blessures graves.

**⚠ AVERTISSEMENT** indique un danger qui, si non évité, pourrait provoquer la mort ou des blessures graves.

**⚠ ATTENTION** indique un danger qui, si non évité, pourrait causer une blessure mineure ou modérée.

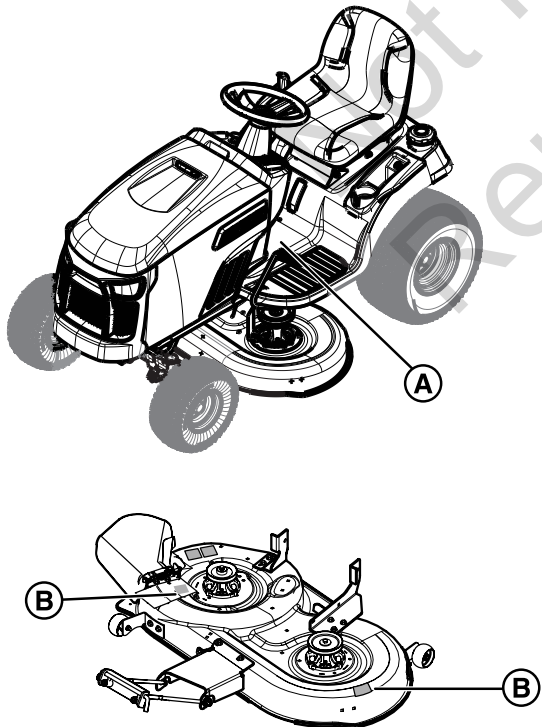
**AVIS** : Indique des informations considérées importantes, mais non liées aux dangers.

## Autocollants de sécurité

Avant de faire fonctionner l'appareil, lire les autocollants de sécurité. Comparer la Figure 2 aux autocollants illustrés dans le tableau qui suit. Les précautions et les avertissements sont pour votre sécurité. Afin d'éviter des blessures corporelles ou des dommages à l'appareil, il est important de comprendre et de se conformer aux consignes déclinées sur les autocollants.

**IMPORTANT** : Si un autocollant de sécurité devient usé ou endommagé et ne peut être lu, commander des autocollants de remplacement auprès de votre concessionnaire.

2



A	<div style="border: 1px solid black; padding: 5px;"> <div style="background-color: red; color: white; text-align: center; padding: 2px;"><b>⚠ DANGER</b></div> <table border="1" style="width: 100%; border-collapse: collapse;"> <tr> <td style="width: 33%; padding: 2px;"> <b>Amputation hazard</b>                      Rotating blades cut off arms and legs.                     <ul style="list-style-type: none"> <li>Stop the mower when children or others are near.</li> <li>Do not carry riders (especially children) even with the blades off. They may fall off or return for another ride when you are not expecting it.</li> <li>Look down and behind before and while backing.</li> </ul> </td> <td style="width: 33%; padding: 2px;"> <b>Loss of control and roll-over hazard</b>                      Operating on slopes can be hazardous and cause loss of control and roll-overs.                     <ul style="list-style-type: none"> <li>Avoid sudden turns or rapid speed changes.</li> <li>Reduce speed and use extreme caution on slopes.</li> <li>Go up and down slopes, NOT across.</li> <li>Do not operate on slopes over 10 degrees.</li> <li>If machine stops while going uphill stop the blades and back down slowly.</li> </ul> </td> <td style="width: 33%; padding: 2px;"> <b>Water, retaining walls and drop-off hazards</b>                      Wheels dropping over edges may result in serious injury, death or drowning.                     <ul style="list-style-type: none"> <li>Do NOT operate near water, retaining walls or drop-offs.</li> <li>Give yourself a minimum of two mower widths of clearance around these hazards.</li> </ul> </td> </tr> </table> <div style="background-color: orange; text-align: center; padding: 2px; margin-top: 5px;"><b>⚠ WARNING</b></div> <table border="1" style="width: 100%; border-collapse: collapse; margin-top: 5px;"> <tr> <td style="width: 50%; padding: 2px;"> <b>Avoid serious injury or death</b>                      Read the operator's manual before using this product.                     <ul style="list-style-type: none"> <li>Do NOT operate this machine unless you are trained.</li> <li>Know the location and function of all controls.</li> <li>Keep safety devices (guards, shields, switches, etc.) in place and working.</li> <li>Remove objects that could be thrown by the blade.</li> </ul> </td> <td style="width: 50%; padding: 2px;"> <b>Fire hazard</b>                      Gasoline is flammable. Yard debris is combustible.                     <ul style="list-style-type: none"> <li>Allow engine to cool for at least 3 minutes before refueling.</li> <li>Keep unit cleaned of debris.</li> <li>This equipment may create sparks that can start fires around dry vegetation. A spark arrester may be required. Contact local fire agencies for regulations relating to fire prevention requirements.</li> </ul> </td> </tr> </table> <p style="font-size: small; margin-top: 5px;">This spark arrest system complies with the Canadian standard CES-200.</p> </div>	<b>Amputation hazard</b> Rotating blades cut off arms and legs. <ul style="list-style-type: none"> <li>Stop the mower when children or others are near.</li> <li>Do not carry riders (especially children) even with the blades off. They may fall off or return for another ride when you are not expecting it.</li> <li>Look down and behind before and while backing.</li> </ul>	<b>Loss of control and roll-over hazard</b> Operating on slopes can be hazardous and cause loss of control and roll-overs. <ul style="list-style-type: none"> <li>Avoid sudden turns or rapid speed changes.</li> <li>Reduce speed and use extreme caution on slopes.</li> <li>Go up and down slopes, NOT across.</li> <li>Do not operate on slopes over 10 degrees.</li> <li>If machine stops while going uphill stop the blades and back down slowly.</li> </ul>	<b>Water, retaining walls and drop-off hazards</b> Wheels dropping over edges may result in serious injury, death or drowning. <ul style="list-style-type: none"> <li>Do NOT operate near water, retaining walls or drop-offs.</li> <li>Give yourself a minimum of two mower widths of clearance around these hazards.</li> </ul>	<b>Avoid serious injury or death</b> Read the operator's manual before using this product. <ul style="list-style-type: none"> <li>Do NOT operate this machine unless you are trained.</li> <li>Know the location and function of all controls.</li> <li>Keep safety devices (guards, shields, switches, etc.) in place and working.</li> <li>Remove objects that could be thrown by the blade.</li> </ul>	<b>Fire hazard</b> Gasoline is flammable. Yard debris is combustible. <ul style="list-style-type: none"> <li>Allow engine to cool for at least 3 minutes before refueling.</li> <li>Keep unit cleaned of debris.</li> <li>This equipment may create sparks that can start fires around dry vegetation. A spark arrester may be required. Contact local fire agencies for regulations relating to fire prevention requirements.</li> </ul>
<b>Amputation hazard</b> Rotating blades cut off arms and legs. <ul style="list-style-type: none"> <li>Stop the mower when children or others are near.</li> <li>Do not carry riders (especially children) even with the blades off. They may fall off or return for another ride when you are not expecting it.</li> <li>Look down and behind before and while backing.</li> </ul>	<b>Loss of control and roll-over hazard</b> Operating on slopes can be hazardous and cause loss of control and roll-overs. <ul style="list-style-type: none"> <li>Avoid sudden turns or rapid speed changes.</li> <li>Reduce speed and use extreme caution on slopes.</li> <li>Go up and down slopes, NOT across.</li> <li>Do not operate on slopes over 10 degrees.</li> <li>If machine stops while going uphill stop the blades and back down slowly.</li> </ul>	<b>Water, retaining walls and drop-off hazards</b> Wheels dropping over edges may result in serious injury, death or drowning. <ul style="list-style-type: none"> <li>Do NOT operate near water, retaining walls or drop-offs.</li> <li>Give yourself a minimum of two mower widths of clearance around these hazards.</li> </ul>				
<b>Avoid serious injury or death</b> Read the operator's manual before using this product. <ul style="list-style-type: none"> <li>Do NOT operate this machine unless you are trained.</li> <li>Know the location and function of all controls.</li> <li>Keep safety devices (guards, shields, switches, etc.) in place and working.</li> <li>Remove objects that could be thrown by the blade.</li> </ul>	<b>Fire hazard</b> Gasoline is flammable. Yard debris is combustible. <ul style="list-style-type: none"> <li>Allow engine to cool for at least 3 minutes before refueling.</li> <li>Keep unit cleaned of debris.</li> <li>This equipment may create sparks that can start fires around dry vegetation. A spark arrester may be required. Contact local fire agencies for regulations relating to fire prevention requirements.</li> </ul>					
B	<div style="border: 1px solid black; padding: 10px;"> <div style="background-color: red; color: white; text-align: center; padding: 5px;"><b>⚠ DANGER</b></div> <div style="text-align: center; background-color: white; padding: 5px; border: 1px solid black;"><b>Amputation and thrown objects hazard</b></div> <div style="display: flex; justify-content: space-between; align-items: center; padding: 10px;"> <div style="text-align: center;">  </div> <div style="flex-grow: 1;"> <ul style="list-style-type: none"> <li>Keep hands and feet away from deck.</li> <li>Do not operate mower unless discharge chute or entire grass catcher is in its proper place.</li> </ul> </div> <div style="text-align: center;">  </div> </div> <p style="text-align: right; font-size: x-small;">7101665</p> </div>					
C	<div style="background-color: black; color: white; padding: 10px; border: 1px solid black;"> <table style="width: 100%; text-align: center;"> <tr> <td style="width: 50%; vertical-align: top;">  <p><b>1</b></p> <p><b>STOP</b></p>  </td> <td style="width: 50%; vertical-align: top;">  <p><b>1</b></p> <p><b>STOP</b></p>  </td> </tr> <tr> <td style="width: 50%; vertical-align: top;"> <p><b>2</b></p>  </td> <td style="width: 50%; vertical-align: top;"> <p><b>2</b></p>  </td> </tr> </table> <p style="text-align: center; font-weight: bold; font-size: large;">1730202</p> </div>	 <p><b>1</b></p> <p><b>STOP</b></p> 	 <p><b>1</b></p> <p><b>STOP</b></p> 	<p><b>2</b></p> 	<p><b>2</b></p> 	
 <p><b>1</b></p> <p><b>STOP</b></p> 	 <p><b>1</b></p> <p><b>STOP</b></p> 					
<p><b>2</b></p> 	<p><b>2</b></p> 					
D						

## Messages de sécurité



Lire, comprendre et respecter toutes les instructions et tous les avertissements figurant dans ce manuel, et sur la machine, le moteur et les raccords avant de la faire fonctionner. Le non-respect des consignes de sécurité de ce manuel et apposées à l'équipement peut entraîner la mort ou des blessures graves.

- Permettre uniquement aux utilisateurs responsables, formés, familiers avec les consignes et physiquement capables d'utiliser la machine.
- Ne pas utiliser la machine sous l'emprise de l'alcool ou de drogues.
- Porter des lunettes de sécurité et des souliers fermés.
- Ne jamais placer les mains ou les pieds près des pièces en mouvement ou sous la machine. Rester loin de l'ouverture d'éjection en tout temps.
- Maintenir la machine en bon état de marche. Remplacer les pièces usées ou endommagées.
- Faire attention lors de l'entretien des lames. Envelopper la ou les lames et porter des gants. Remplacer les lames endommagées. Ne pas réparer ni modifier la ou les lames.
- Utiliser des rampes pleine largeur pour charger et décharger une machine pour le transport.
- Vous reporter à grément ou accessoire pour connaître les poids et contrepoids pour roues.
- Pour empêcher les incendies, dégager le gazon, les feuilles et tout autre matériau indésirable sur la machine. Nettoyer tout débordement d'huile ou de carburant. Éliminer les débris trempés de carburant et laisser la machine refroidir avant de la ranger.



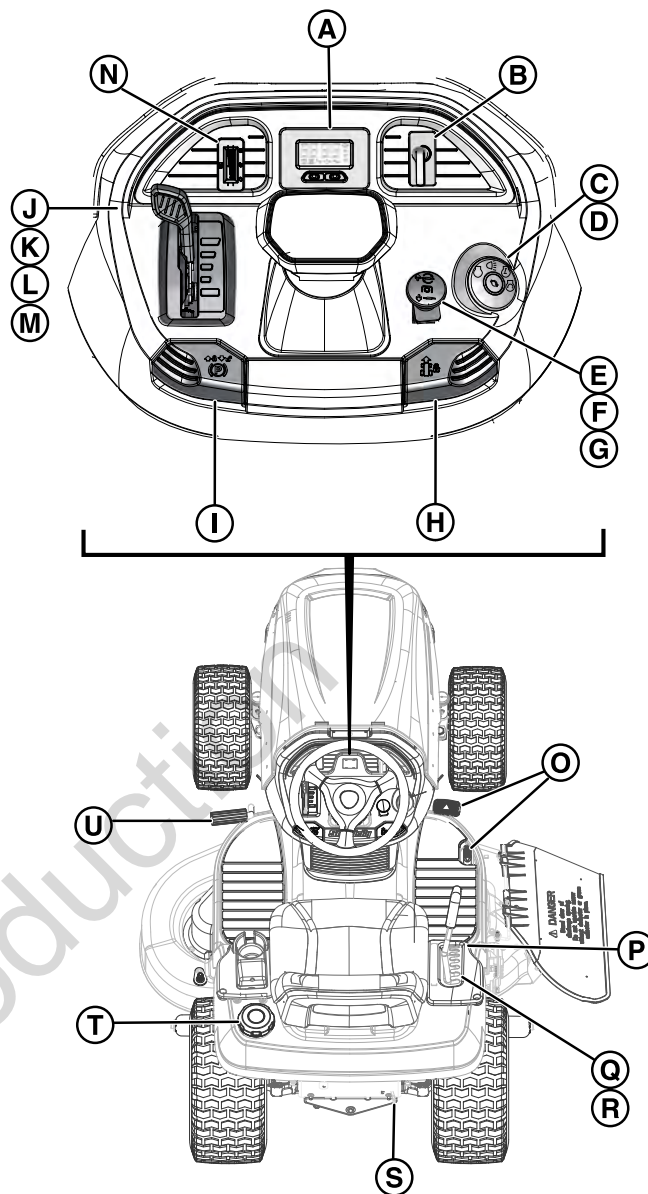
Le moteur en marche émet du monoxyde de carbone, un gaz toxique sans odeur ni couleur. Le fait de respirer le monoxyde de carbone peut causer des maux de tête, de la fatigue, des étourdissements, des vomissements, de la confusion, des crises épileptiques, des nausées, des évanouissements ou la mort.

- Faire fonctionner cet équipement **UNIQUEMENT** à l'extérieur.
- Empêcher les gaz d'échappement de pénétrer un lieu confiné par les fenêtres, les portes, les entrées de ventilation ou autres ouvertures.

## Caractéristiques et commandes





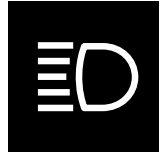

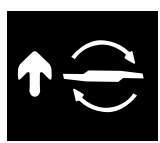
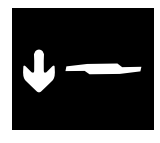

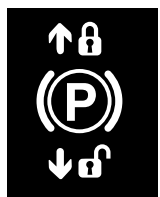
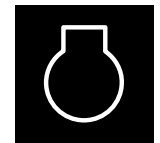


Veiller à ce que les légendes de la Figure 3 correspondent aux caractéristiques et aux commandes énumérées dans le tableau qui suit.

3



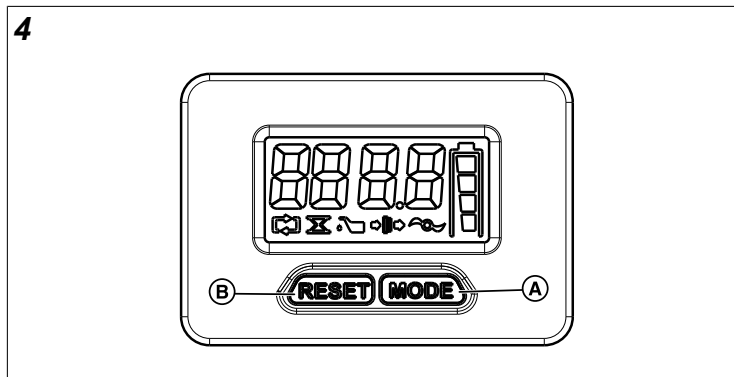
## Symboles de commande et significations

A		Tableau de bord électronique
B		Option de tonte en marche arrière (RMO)

C		<p>Contacteur d'allumage</p> <p> ARRÊT</p> <p> ACTIVÉ</p> <p> DÉMARRAGE</p>
D		Interrupteur de phares
E		Prise de force (PTO)
F		Prise de force (PTO), lames engagées
G		Prise de force (PTO), lames désengagées
H		Régulateur de vitesse
I		Contrôle du frein de stationnement
J		Commande de l'accélérateur
K		Commande de l'accélérateur Position LENTE
L		Commande de l'accélérateur à la position RAPIDE

M		Étrangleur
N		Jauge de carburant (si équipé)
O		Pédales de vitesse de déplacement au sol
P		Levier de réglage du siège
Q		Levier pour lever la tondeuse
R		Commutateur de la hauteur de coupe
S		Levier de débrayage de transmission
T		réservoir de carburant simple
U		Pédale de frein

## Modes d'affichage électronique de l'entretien



*Remarque* : Lorsque vous démarrez la machine, les heures totales s'affichent sur l'afficheur d'entretien. Les heures totales seront automatiquement remises à 0 après 999,9.

### Affiche le total des heures, les heures de parcours et l'horloge

1. Appuyer sur MODE (A, Figure 4) pendant moins d'une seconde pour afficher les heures de parcours.
2. Appuyer sur RÉINITIALISATION (RESET) (B) pendant plus de 3 secondes pour régler les heures de parcours à 0.
3. Appuyer sur MODE pendant moins de 1 seconde pour afficher l'horloge. Consulter la section **Régler l'horloge**.
4. Appuyer sur MODE pendant moins d'une (1) seconde pour afficher les heures totales.

### Régler l'horloge

1. Appuyer sur MODE (A, Figure 4) pendant plus de 3 secondes. Les heures clignoteront sur l'écran.
2. Appuyer sur RÉINITIALISATION (RESET) pour régler les heures.
3. Appuyer sur MODE pendant moins d'une (1) seconde pour enregistrer les paramètres. Les minutes clignoteront sur l'écran.
4. Appuyer sur RÉINITIALISATION (RESET) pour régler les minutes.
5. Appuyer sur MODE pendant moins d'une (1) seconde pour enregistrer les paramètres.

### Modes d'affichage de l'entretien

**CHANGEMENT D'HUILE (OIL CHANGE)** – Ce message s'affiche après 50 heures de fonctionnement. Une fois l'huile vidangée et le filtre remplacé, appuyer deux fois sur MODE pour afficher HEURES DE L'HUILE (OIL HRS). Ensuite, appuyer et tenir le bouton MODE pendant 3 secondes pour remettre la minuterie à zéro et effacer l'affichage.

**VÉRIFICATION DU FILTRE À AIR (AIR FILTER CHECK)** – Ce message s'affiche après 25 heures de fonctionnement. Après le nettoyage ou le remplacement du filtre à air, appuyer trois fois sur MODE pour afficher les HEURES DU FILTRE À AIR (AIR FILTER HRS). Ensuite, appuyer et tenir le bouton MODE pendant 3 secondes pour remettre la minuterie à zéro et effacer l'affichage.

**REPLACER LES LAMES (CHANGE BLADES)** – Ce message s'affiche après 100 heures de fonctionnement. Après le changement de lame, tenir le bouton RÉINITIALISATION (RESET) pendant plus de 3 secondes pour régler le minuteur à zéro et afficher l'afficheur.

**BATTERIE FAIBLE (LOW BATTERY)** – Ce message s'affiche lorsqu'un problème survient avec la tension de la batterie. L'affichage s'effacera automatiquement une fois que la batterie a subi un entretien.

*Remarque* : Lorsque le message BATTERIE FAIBLE (LOW BATTERY) apparaît sur l'afficheur, il a priorité sur tous les autres messages. Faire l'entretien de la batterie en premier, puis vérifier les autres messages d'entretien.

## Fonctionnement

Lire la rubrique *Sécurité de l'opérateur* avant de faire fonctionner cette machine. Veiller à connaître les contrôles et à savoir comment arrêter l'appareil.

### Zone d'utilisation

1. Connaître la zone où vous prévoyez d'opérer la tondeuse.
2. Veiller à ce que la zone soit libre de matériaux indésirables pouvant être ramassés par les lames et projetés.



Cette souffleuse peut projeter des objets qui pourraient blesser des personnes à proximité ou endommager des bâtiments.

- Ne pas faire fonctionner la machine sans le bac de ramassage complet, le déflecteur ou tout autre dispositif de sécurité en place. Vérifier fréquemment s'il y a des signes d'usure ou de détérioration et remplacer au besoin.
  - Nettoyer la zone d'opération de tout objet pouvant être projeté par la machine ou perturber son fonctionnement.
3. Sortir la tondeuse autoporteuse dehors avant de démarrer le moteur.



Les moteurs dégagent du monoxyde de carbone, un gaz toxique sans odeur et sans couleur. Le fait de respirer le monoxyde de carbone peut causer des nausées, des évanouissements ou la mort.

4. Noter toutes les pentes et tous les fossés.





Rouler sur des pentes, près de l'eau ou les fossés peut entraîner une perte de contrôle ou un renversement.

- Tondre en montant ou en descendant la pente, non pas en travers.
- Réduire la vitesse et faire attention sur les pentes.
- Ne pas rouler sur les pentes de plus de 10 degrés, ce qui représente une élévation de 3,5 pieds sur une longueur de 20 pieds.
- Accorder un dégagement de deux largeurs de tondeuse autour de l'eau, des murs de soutènement ou fossés.
- Éviter de tondre de l'herbe mouillée.
- Ne pas utiliser la machine en cas de doute de traction, conduite ou stabilité. Les pneus pourraient glisser même si les roues sont arrêtées.
- Éviter de démarrer et d'arrêter sur les pentes.
- Éviter de faire des changements brusques de vitesse ou de direction.
- Tourner lentement et graduellement.
- Faire attention lors qu'un bac de ramassage ou un autre grément est fixé. Ils peuvent affecter la stabilité de la machine.
- Suivre les recommandations du fabricant concernant les limites de poids du matériel remorqué et le remorquage sur les pentes. Voir *Équipement remorqué*.

5. S'assurer que personne ne se trouve dans la zone de déblayage, particulièrement des enfants.



Cette tondeuse autoporteuse peut amputer les mains et les pieds.

- Arrêter la tondeuse lorsqu'il y a des enfants ou autres personnes à proximité.
- Éloigner les enfants de la zone d'opération et les laisser sous la surveillance d'un adulte responsable.
- Ne jamais transporter des personnes (particulièrement des enfants), même si les lames sont arrêtées. Les enfants risquent de tomber et de gravement se blesser ou d'interférer avec l'opération sécuritaire de la machine. Les enfants que l'on a transportés par le passé risquent d'apparaître brusquement dans la zone à tondre pour se faire transporter à nouveau et risquent se faire écraser ou de passer sous la machine en marche arrière.
- Prenez bien soin lorsque vous approchez des coins sans visibilité, les arbustes, les arbres ou les autres objets qui pourraient vous cacher la vue.

## Essais du système d'interverrouillage de sécurité

Cette machine est équipée d'un système d'interverrouillage de sécurité. Ne pas tenter de contourner ou d'altérer les commutateurs et les dispositifs.



Si la machine ne réussit pas l'essai de sécurité, ne pas opérer la machine. Veuillez consulter un concessionnaire agréé.

### Essai 1 – Le moteur ne doit PAS démarrer si :

- La prise de force (PTO) est sur MARCHE OU
- La pédale de frein n'est PAS complètement enfoncée (frein de stationnement à DESSERRÉ)

### Essai 2 – Le moteur DOIT démarrer si:

- que le commutateur de PTO est sur ARRÊT ET
- le frein de stationnement est enfoncé (frein de stationnement sur tiré MARCHE).

### Essai 3 – Le moteur S'ARRÊTERA si :

- l'opérateur se lève du siège alors que la PTO est engagée, OU
- l'opérateur se lève du siège alors que la pédale de frein n'est PAS complètement enfoncée (frein de stationnement ARRÊT).

### Essai 4 – Vérifier le temps d'arrêt des lames de la tondeuse

Les lames de coupe et leur courroie d'entraînement s'arrêteront complètement dans les cinq secondes qui suivent la COUPURE du commutateur de PTO. Si la courroie d'entraînement de la tondeuse ne s'arrête pas dans les cinq secondes, veuillez consulter un centre de service après-vente agréé.

### Essai 5 – Contrôle de l'option de tonte en marche arrière (RMO)

- Le moteur S'ARRÊTERA si une marche arrière est tentée lorsque la PTO a été ACTIVÉE et que l'option de tonte en marche arrière (RMO) n'a pas été activée.
- Le voyant RMO s'allumera lorsque la RMO est activée.



Tondre en marche arrière peut être dangereux pour les spectateurs. Des accidents tragiques peuvent se produire si l'utilisateur ne fait pas attention à la présence d'enfants. NE PAS activer l'option de marche arrière (RMO) en présence d'enfants. Les enfants sont souvent attirés par la machine et l'activité de tonte.

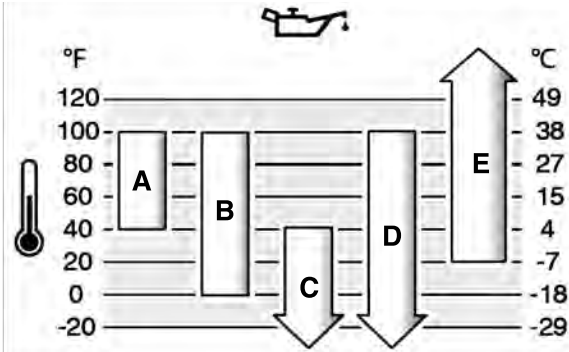
## Moteur

### Vérifier et ajouter de l'huile moteur

Utiliser l'huile garantie et certifiée de Briggs & Stratton® pour obtenir la meilleure performance. D'autres huiles détergentes de haute qualité sont acceptables si elles sont de catégorie

SF, SG, SH, SJ ou supérieure. Ne pas utiliser des additifs spéciaux.

Les températures à l'extérieur déterminent la viscosité de l'huile moteur appropriée. Utiliser le tableau pour sélectionner la meilleure viscosité pour la plage de températures extérieures prévues.

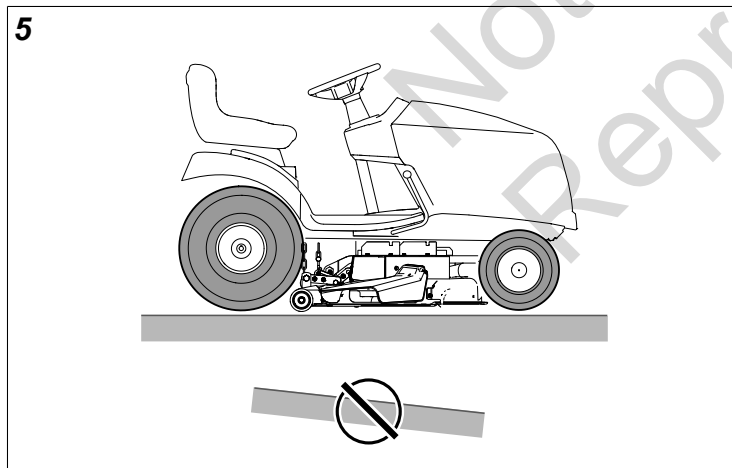


<b>A</b>	SAE 30 - En dessous de 40 °F (4 °C), l'utilisation de SAE 30 causera une difficulté de mise en marche.
<b>B</b>	10W-30 - Au-dessus de 80 °F (27 °C), l'utilisation de 10W-30 peut causer une augmentation de la consommation d'huile. Vérifier le niveau d'huile plus fréquemment.
<b>C</b>	5W-30
<b>D</b>	Synthétique 5W-30
<b>E</b>	Synthétique 15W-50 de Vanguard <sup>MC</sup>

\* À moins de 40 °F (4 °C), l'utilisation de SAE 30 causera de la difficulté au démarrage.

\*\*Au-dessus 80 °F (27 °C) l'utilisation de 10W-30 peut causer une augmentation de la consommation d'huile.

1. Mettre l'appareil sur une surface à niveau, comme illustré sur la Figure 5.

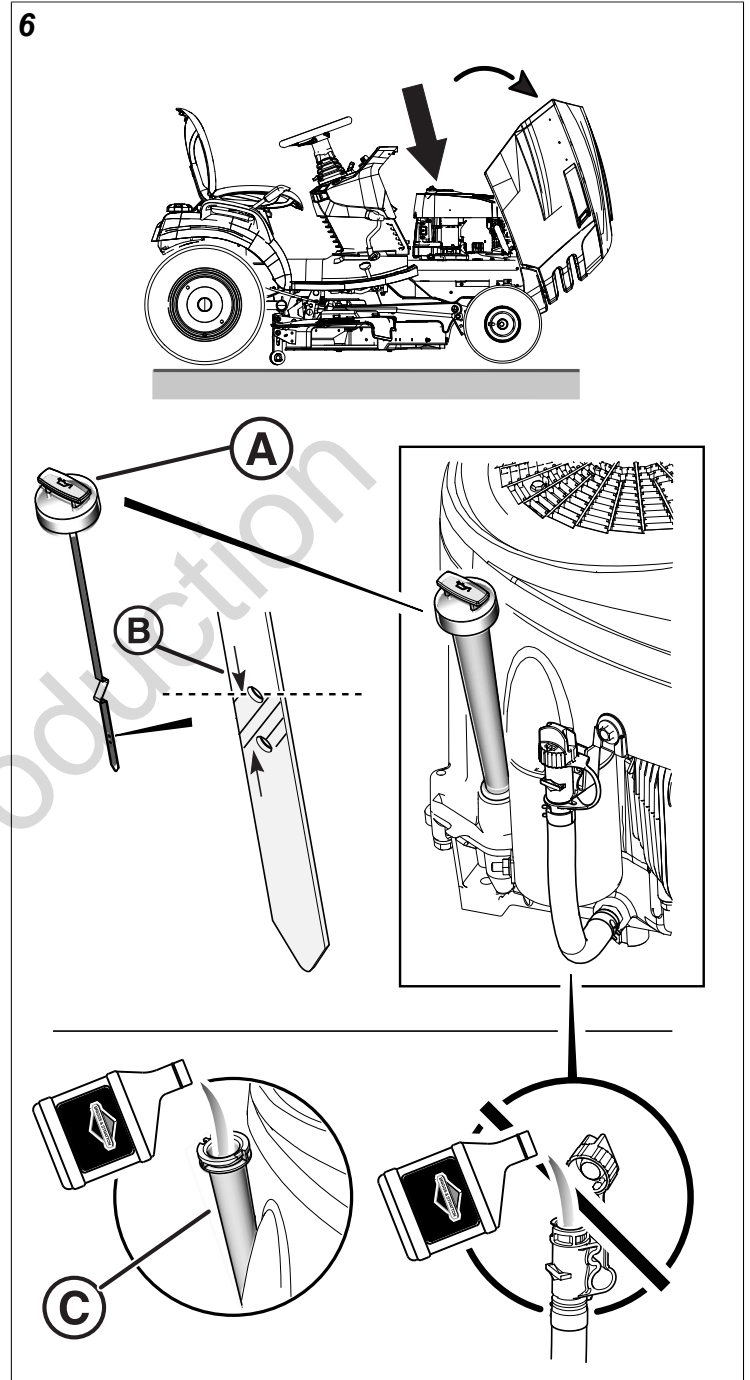


2. Arrêter le moteur et enlever la clé. Confirmer la propreté de la zone de remplissage d'huile.
3. Retirer la jauge (A, Figure 6). Retirer l'huile restant sur la jauge.
4. Replacer la jauge d'huile et la resserrer.
5. Retirer la jauge à nouveau et vérifier le niveau d'huile.
6. Confirmer que le niveau de l'huile atteint le repère PLEIN de la jauge (B).
7. Si le niveau d'huile est sur PLEIN, remettre et serrer la jauge d'huile.

8. Si le niveau est BAS, verser l'huile dans le tube de remplissage (C).

*Remarque* : NE PAS ajouter d'huile par la vidange d'huile rapide (le cas échéant).

9. Attendre une minute, puis vérifier à nouveau le niveau d'huile.
10. Replacer la jauge d'huile et la resserrer.



### Pression d'huile

Si la pression d'huile est trop basse, un pressostat (si équipé) arrêtera le moteur ou activera un dispositif d'avertissement sur l'équipement. Si cela se produit, arrêter le moteur et contrôler le niveau d'huile avec la jauge d'huile.

Si le niveau d'huile est en-dessous de l'indicateur AJOUTER, ajouter de l'huile jusqu'au niveau de l'indicateur PLEIN. Démarrer le moteur et vérifier que la pression de l'huile est adéquate avant d'utiliser la machine.

Si le niveau d'huile est situé entre les indicateurs AJOUTER et PLEIN, **NE PAS démarrer le moteur**. Communiquer avec un centre de service agréé pour corriger le problème de la pression d'huile.

## Recommandations de carburant

**Le carburant doit répondre aux critères suivants :**

- Essence sans plomb neuve et propre.
- Au minimum 87 octanes/87 AKI (91 RON). Utilisation en haute altitude, voir ci-dessous.
- Une essence avec jusqu'à 10 % d'éthanol (gazohol) est acceptable.

**AVIS** Ne pas utiliser d'essence non approuvée telle que E15 et E85. Ne pas mélanger de l'huile avec l'essence ou modifier le moteur afin qu'il puisse utiliser des carburants alternatifs. L'utilisation de carburants non approuvés endommagera les composants du moteur, qui ne sera pas couvert par la garantie.

Pour empêcher que de la gomme ne se forme dans le circuit d'alimentation, mélanger un stabilisateur de carburant à l'essence. Se reporter à **Entreposage**. Tous les carburants ne sont pas identiques. Si des problèmes de démarrage ou de performance se produisent, changer de fournisseur ou de marque de carburant. Ce moteur est certifié pour fonctionner à l'essence. Le système de contrôle des émissions pour les moteurs à carburateur est EM (Modifications du moteur). Le système de contrôle des émissions pour les moteurs à injection de carburant électronique est ECM (module de contrôle de moteur), MPI (injection multipoint), et, le cas échéant, O2S (capteur d'oxygène).

## Haute altitude

À des altitudes supérieures à 1 524 mètres (5 000 pieds), de l'essence d'au minimum 85 octane/85 AKI (89 RON) est acceptable.

Pour conserver les caractéristiques d'émission, un réglage spécial haute altitude est nécessaire. Faire fonctionner le moteur sans ce réglage fait baisser ses performances, augmenter la consommation de carburant et les émissions. Contacter un Réparateur agréé Briggs & Stratton pour davantage d'informations sur le réglage haute altitude. Le fonctionnement du moteur à une altitude inférieure à 762 mètres (2 500 pieds) avec le kit haute altitude n'est pas recommandé.

Pour les moteurs à injection électronique (EFI), le réglage haute altitude est inutile.

## Ajout de carburant



**AVERTISSEMENT**

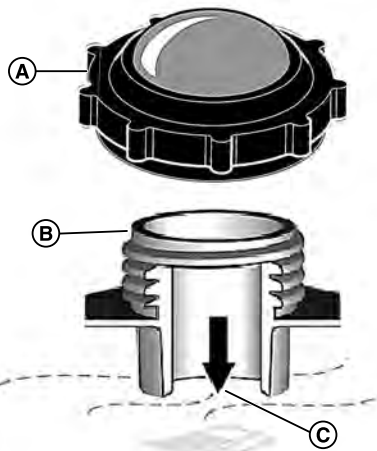


Le carburant et ses vapeurs sont extrêmement inflammables et explosifs. Toujours manipuler le carburant avec un soin extrême. Négliger ces instructions de sécurité peut causer un feu ou une explosion qui provoquera des brûlures graves ou la mort.

### Lors du remplissage de carburant

- Arrêter le moteur et le laisser refroidir au moins 3 minutes avant d'enlever le bouchon de réservoir.
  - Éteindre cigarettes, cigares, pipes et autres sources de combustion.
  - Remplir le réservoir de carburant à l'extérieur ou dans un endroit bien ventilé.
  - Ne pas trop remplir le réservoir de carburant. Afin de permettre l'expansion du carburant, ne pas remplir au-dessus du goulot de remplissage.
  - Garder le carburant loin des étincelles, des flammes nues, des veilleuses, de la chaleur et autres sources d'allumage.
  - Vérifier fréquemment les conduites de carburant, le réservoir, le bouchon et les accessoires pour fissures et fuites. Remplacer si nécessaire.
  - En cas de déversements de carburant, attendre qu'il s'évapore avant de démarrer le moteur et éviter de créer des sources d'allumage.
  - Utiliser uniquement un contenant de carburant approuvé.
1. Retirer les matériaux non utiles autour du bouchon de carburant.
  2. Retirer le bouchon du réservoir de carburant (A, Figure 7).
  3. Remplir le réservoir de carburant (B) avec de l'essence. **NE PAS** remplir au-dessus de la base du col du réservoir de carburant (C).
  4. Replacer le bouchon du réservoir de carburant.

7



## Démarrer le moteur



Le carburant et ses vapeurs sont extrêmement inflammables et explosifs.

Un incendie ou une explosion peut provoquer des brûlures graves voire la mort.

### Lorsque le moteur est démarré :

- Veiller à ce que la bougie d'allumage, le silencieux, le bouchon de carburant et le filtre à air (si équipé) soient correctement installés.
- Lorsque la bougie d'allumage est enlevée, ne pas mettre le moteur en marche.
- Si le moteur est noyé, régler l'étrangleur (le cas échéant) à la position OUVERT/MARCHE, déplacer l'accélérateur (le cas échéant) à la position RAPIDE et tirer sur le cordon de lancement jusqu'à ce que le moteur démarre.



Les moteurs dégagent du monoxyde de carbone, un gaz toxique sans odeur et sans couleur.

Le fait de respirer le monoxyde de carbone peut causer des nausées, des évanouissements ou la mort.

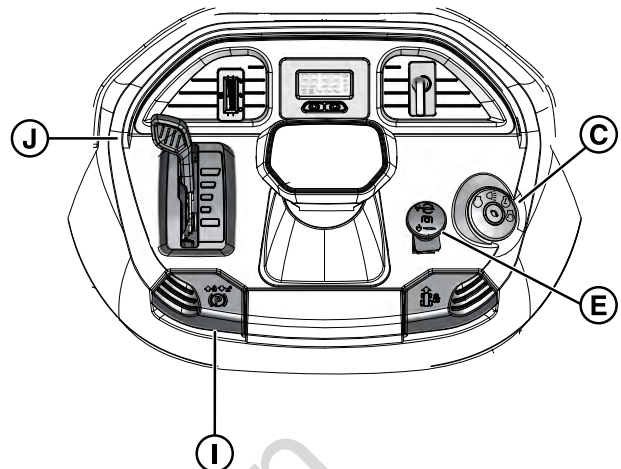
Un incendie ou une explosion peut provoquer des brûlures graves voire la mort.

- Démarrer et faire fonctionner le moteur à l'extérieur.
- Ne pas démarrer ou faire fonctionner le moteur dans un endroit clos, même si les portes ou les fenêtres sont ouvertes.

1. Vérifiez le niveau d'huile. Voir *Contrôle et remplissage d'huile moteur*.
2. S'assurer que les commandes d'entraînement de l'équipement sont débrayées.

3. S'asseoir sur le siège et SOULEVER le levier de réglage du siège pour verrouiller le siège en position.
4. Embrayer le contrôle du frein de stationnement (I, Figure 8). Enfoncer la pédale de frein, tirer vers l'extérieur la commande du frein de stationnement, puis relâcher la pédale de frein.

8



5. Pousser le commutateur de PTO (E) pour le désembrayer.
6. Placer la commande accélérateur/étrangleur (J) à la position ÉTRANGLEUR (si équipé).
7. Insérer la clé de contact dans le contacteur (C) et la tourner à la position DÉMARRAGE. Sur les modèles à démarrage à bouton-poussoir, appuyer deux fois sur le bouton et le tenir jusqu'au démarrage du moteur.
8. Une fois le moteur en marche, mettre la commande accélérateur/étrangleur à mi-régime. S'assurer que le moteur est en MARCHE pendant au moins 30 secondes. Ceci permet de chauffer le moteur.
9. Mettre la commande accélérateur/étrangleur en position RAPIDE.

*Remarque :* En cas d'urgence, tourner le contacteur sur la position D'ARRÊT. Cela ARRÊTE le moteur. Voir *Arrêter le moteur*.

*Remarque :* Si le moteur ne démarre pas après deux ou trois tentatives, contacter un centre de service autorisé.

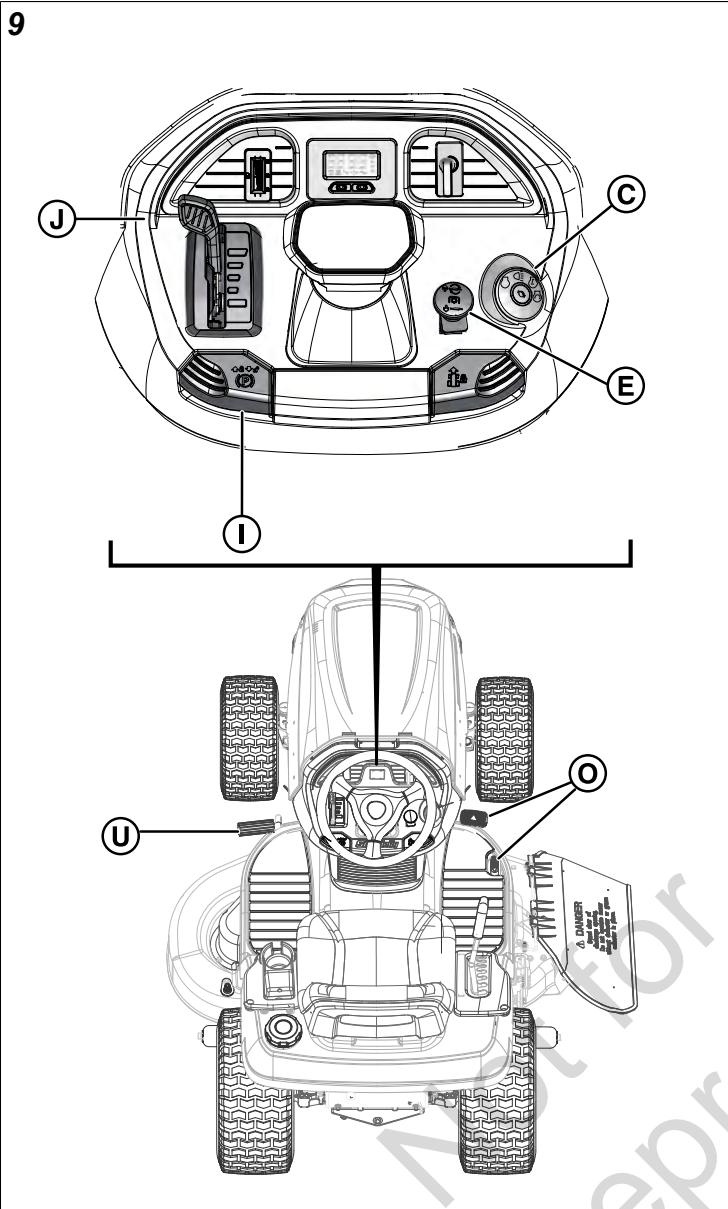
## Arrêter le moteur



Le carburant et ses vapeurs sont extrêmement inflammables et explosifs. Un incendie ou une explosion peut provoquer des brûlures graves voire la mort.

- Ne pas étouffer le carburateur pour arrêter le moteur.

1. Relâcher les pédales de vitesse de déplacement au sol (O, Figure 9).



2. Débrayer la prise de force (PTO) (E). Attendre l'arrêt de toutes les pièces en mouvement.
3. Placer le levier de commande des gaz (J) en position LENT.
4. Mettre le contacteur (C) en position ARRÊT. Retirer la clé.
5. Embrayer le contrôle du frein de stationnement (I). Enfoncer la pédale de frein (U), tirer vers le HAUT la commande du frein de stationnement, puis relâcher la pédale de frein.

En cas d'urgence, tourner le contacteur sur la position D'ARRÊT. Cela ARRÊTE le moteur.

## Fonctionnement du tracteur

1. S'asseoir sur le siège et le régler de manière à pouvoir confortablement atteindre toutes les commandes et voir le tableau de bord. Consulter *Caractéristiques et commandes*.
2. Engager le frein de stationnement :

- A. Enfoncer complètement la pédale de frein.
  - B. Tirer la commande du frein de stationnement vers le HAUT.
  - C. Relâcher la pédale de frein.
3. Désengager la PTO.
  4. Démarrer le moteur. Voir *Démarrer le moteur*.
  5. Désengager le frein de stationnement :
    - A. Enfoncer complètement la pédale de frein.
    - B. Enfoncer le contrôle de frein de stationnement.
    - C. Relâcher la pédale de frein.
  6. ENFONCER la pédale de contrôle de vitesse afin d'avancer. Relâcher la pédale pour ARRÊTER.
- Remarque* : Noter que plus la pédale est enfoncée, plus le tracteur se déplacera vite.
7. Arrêter le tracteur :
    - A. Relâcher les pédales de commande de vitesse.
    - B. Appliquer le frein de stationnement.
    - C. ARRÊTER le moteur. Voir *Arrêter le moteur*.

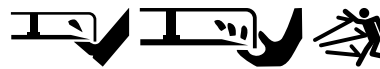
## Régulateur de vitesse

1. ENFONCER la pédale de vitesse de déplacement (O, Figure 3). Consulter *Caractéristiques et commandes*.
2. Tirer le régulateur de vitesse vers le HAUT lorsque la vitesse désirée est atteinte. Le régulateur se verrouille dans l'une de ses cinq positions.
3. ENFONCER la pédale de frein (U, Figure 3) la pédale de vitesse de déplacement pour désactiver le régulateur de vitesse. Voir *Caractéristiques et commandes*.

## Tonte



**DANGER**



Cette souffleuse à neige peut amputer les mains et les pieds, et projeter des objets. Le non-respect des consignes de sécurité peut entraîner la mort ou des blessures graves.

- N'utiliser la machine qu'à la lumière du jour ou dans une lumière artificielle de bonne qualité.
- Éviter les trous, ornières, bosses, roches ou autres risques cachés.  
Un terrain inégal peut renverser la machine et entraîner la perte d'équilibre ou de pied de l'opérateur.
- Ne jamais diriger le dispositif de décharge vers quiconque. Éviter de décharger du matériel contre un mur ou obstruction, car il risque de ricocher vers l'opérateur.
- Arrêter la ou les lames pour traverser des surfaces en gravier.
- Ne jamais laisser une machine en marche sans surveillance. Toujours stationner sur un sol de niveau, désengager le grément, tirer le frein de stationnement, arrêter le moteur et retirer la clé de démarrage.

1. Embrayer le contrôle du frein de stationnement (I, Figure 3).
2. S'assurer que le commutateur de PTO (E) est désembrayé.
3. Démarrer le moteur. Voir *Démarrer le moteur*.
4. Mettre le levier de commande des gaz (J) en position RAPIDE.
5. Engager la PTO pour activer les lames de la tondeuse.
6. Utiliser le commutateur électrique de hauteur de coupe (R) pour régler la hauteur de coupe à la hauteur souhaitée. Voir *Réglage de la hauteur de coupe de la tondeuse*.
7. Relâcher le frein de stationnement puis commencer la tonte.
8. Désengager la PTO.
9. ARRÊTER le moteur. Voir *Arrêter le moteur*.

### AVERTISSEMENT

Le moteur S'ARRÊTERA si la pédale de vitesse de déplacement au sol arrière est enfoncée pendant que la PTO est ACTIVÉE et que la RMO n'est pas activée. DÉBRAYER toujours la PTO avant d'utiliser le tracteur. Une perte soudaine de contrôle pourrait créer un risque.

### Régler la hauteur de coupe de la tondeuse

Le levier de levage de la tondeuse (Q, Figure 3) abaisse le plateau en position de coupe ou le soulève en position de déplacement.

1. Pour abaisser le plateau :
  - A. Tirer légèrement vers l'arrière le levier pour soulever la tondeuse.
  - B. Pousser le levier de levage de la tondeuse vers la gauche.
  - C. Pousser le levier de levage vers le BAS.
2. Soulever le plateau :
  - A. Tirer sur le levier pour LEVER la tondeuse.
  - B. Bloquer dans l'encoche à la droite.

*Remarque* : NE PAS tondre lorsque le plateau est relevé en position de déplacement.

*Remarque* : L'interrupteur de hauteur de coupe (R, Figure 3) commande la hauteur de coupe de la tondeuse. Il ajuste la hauteur de coupe entre 2,5 et 8,89 cm (1,5 et 3,5 po). Consulter *Spécifications*.

### Option de tonte en marche arrière (RMO)



Tondre en marche arrière peut être dangereux pour les spectateurs. Les accidents tragiques peuvent survenir si l'opérateur n'est pas attentif à la présence des enfants. Les enfants sont souvent attirés par la machine et l'activité de tonte. Ne jamais supposer que les enfants resteront à l'endroit où ils ont été vus pour la dernière fois.

- Éloigner les enfants de la zone d'opération et les laisser sous la surveillance d'un adulte responsable.
- Ne jamais transporter des personnes (particulièrement des enfants), même si les lames sont arrêtées. Les enfants risquent de tomber et de gravement se blesser ou d'interférer avec l'opération sécuritaire de la machine. Les enfants que l'on a transportés par le passé risquent d'apparaître brusquement dans la zone à tondre pour se faire transporter à nouveau et risquent se faire écraser ou de passer sous la machine.
- Ne pas tondre en marche arrière à moins que cela ne soit absolument indispensable. Toujours regarder en bas et derrière soi avant et pendant une manœuvre de marche arrière.
- Si la machine tond en marche arrière sans que l'option Tonte en marche arrière ne soit activée, consulter immédiatement un concessionnaire agréé.



1. Embrayer la prise de force (PTO) (E, Figure 3).
2. Tourner la clé (B) de l'option de tonte en marche arrière (RMO) à la position ACTIVÉ.
3. Le témoin DEL s'allume.
4. L'opérateur tond en marche arrière.

*Remarque* : Retirer la clé pour interdire l'accès à la fonction RMO.



# Entretien



## AVERTISSEMENT

Une étincelle accidentelle peut entraîner un incendie ou un choc électrique.

Un démarrage accidentel peut entraîner un emmêlement, une amputation traumatique ou une lacération.

### Avant d'effectuer des réglages et des réparations :

- Débrancher le fil de bougie d'allumage. Le tenir à l'écart de la bougie.
- Débrancher la batterie à la borne négative (-) sur les moteurs munis d'un démarreur électrique.
- Utiliser UNIQUEMENT les outils appropriés.
- NE PAS altérer le ressort du régulateur, la tringlerie ni aucune autre pièce pour augmenter le régime du moteur.
- Les pièces de rechange doivent être de la même conception et installées dans la même position que les pièces d'origine. D'autres pièces peuvent ne pas fonctionner aussi bien, peuvent endommager la machine et peuvent entraîner des blessures.
- NE PAS frapper le volant moteur avec un marteau ou un objet dur, car le volant moteur pourrait éclater pendant le fonctionnement.

## Calendrier d'entretien

TONDEUSE AUTOPORTÉE ET TONDEUSE
<b>Toutes les 8 heures ou chaque jour</b>
Vérifier le système d'interverrouillage de sécurité.
Retirer tout matériau indésirable de la tondeuse autoportée, du plateau et du compartiment moteur.
<b>Toutes les 25 heures ou 1 fois par année *</b>
Vérifier la pression des pneus.
Vérifier la durée de freinage des lames de la tondeuse.
Vérifier la tondeuse autoportée et la tondeuse pour la présence d'éléments desserrés.
<b>Toutes les 50 heures ou 1 fois par année *</b>
Nettoyer la batterie et les câbles.
Vérifier les freins de la tondeuse.
<b>Consulter chaque année un détaillant autorisé Briggs &amp; Stratton pour l'entretien.</b>
Lubrifier la tondeuse autoportée et la tondeuse.
Vérifier les lames de la tondeuse**

\* Selon la première éventualité.

\*\* Faire une vérification des lames de la tondeuse plus souvent dans les régions aux sols sablonneux ou quand il y a beaucoup de poussière.

MOTEUR
<b>Les 5 premières heures</b>
Vidanger l'huile moteur.
<b>Toutes les 8 heures ou chaque jour</b>
Vérifier le niveau d'huile du moteur.
<b>Toutes les 25 heures ou 1 fois par année *</b>
Nettoyer le filtre à air et l'avant-filtre.**

MOTEUR
<b>Toutes les 50 heures ou 1 fois par année *</b>
Vidanger l'huile moteur.
Changer le filtre à huile.
<b>Chaque année</b>
Remplacer le filtre à air.
Remplacer l'avant-filtre.
<b>Voir le concessionnaire tous les ans pour</b>
Inspecter le silencieux et le pare-étincelles.
Remplacer les bougies d'allumage.
Remplacer le filtre à carburant.
Nettoyer le système de refroidissement d'air.

\* Selon la première éventualité.

\*\* Nettoyer plus souvent quand il y a beaucoup de poussière ou des débris emportés par le vent.

## Vérification de la pression des pneus

Pour assurer une bonne traction et une meilleure tonte, veiller à ce que la pression de gonflage des pneus se situe entre 12 à 14 psi (0,82 à 0,96 bar). Se reporter à Vérification de la pression des pneus dans la section *Programme d'entretien*. Lire également Pression de gonflage des pneus dans la section *Spécifications*.

*Remarque* : La pression de gonflage des pneus peut différer du « Gonflage maximal » indiqué sur le flanc des pneus.

## Entretien de la batterie

### Nettoyer la batterie et les câbles



#### AVERTISSEMENT

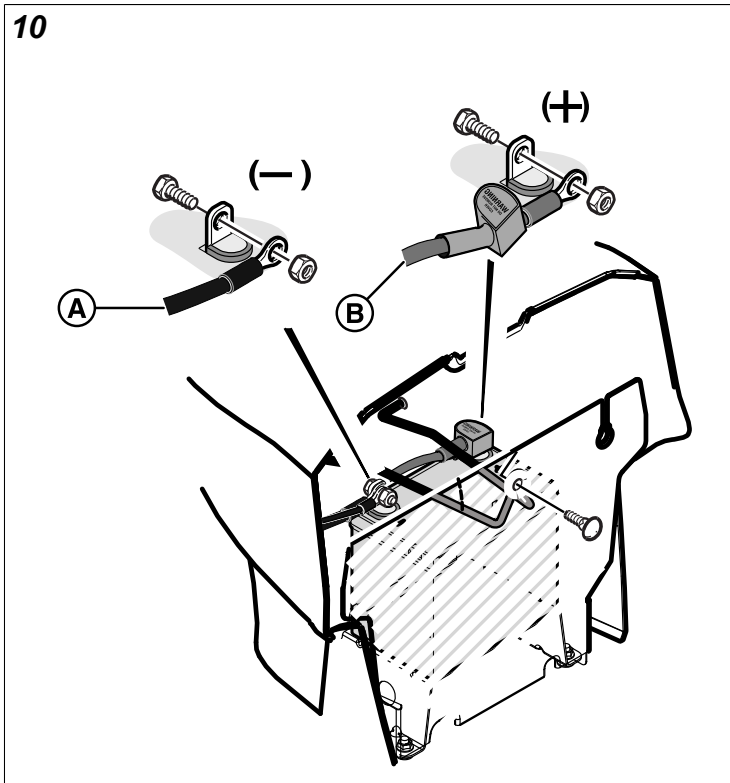
Lors d'installation ou du retrait des câbles de batterie, débrancher toujours EN PREMIER le câble NÉGATIF (noir) et le rebrancher EN DERNIER. Si cette procédure est effectuée dans l'ordre inverse, la borne positive risque d'être court-circuitée au châssis par un outil.

*Remarque* : NE PAS retirer ni connecter un câble de batterie pendant que le moteur est en MARCHÉ.

1. ARRÊTER le moteur. Retirer la clé.
2. Débrancher d'abord les câbles NÉGATIFS (-) (A, Figure 10) de la batterie.
3. Débrancher les câbles POSITIFS (+) de la batterie (B) en dernier.
4. Nettoyer la surface de la batterie avec du bicarbonate de soude et de l'eau.
5. Nettoyer les bornes de la batterie et les extrémités des câbles avec une brosse métallique et un nettoyant pour bornes de batterie.
6. Enduire les bornes de batterie avec de la vaseline ou une graisse non conductrice.
7. Mettre la batterie en place.
8. Brancher d'abord le câble POSITIF (+) à la batterie.



9. Brancher le câble NÉGATIF (-) de la batterie en dernier.



## Charger la batterie



### AVERTISSEMENT

Garder les flammes nues et les étincelles loin de la batterie. Les gaz de la batterie sont très explosifs.

Une batterie morte ou trop faible pour faire démarrer le moteur peut être le résultat d'un système de charge ou de tout autre composant électrique défectueux. En cas de doute sur l'origine du problème, consulter un centre de service Briggs & Stratton agréé. Pour remplacer la batterie, voir *Nettoyage de la batterie et des câbles*.

## Temps d'arrêt de la lame de la tondeuse



### AVERTISSEMENT

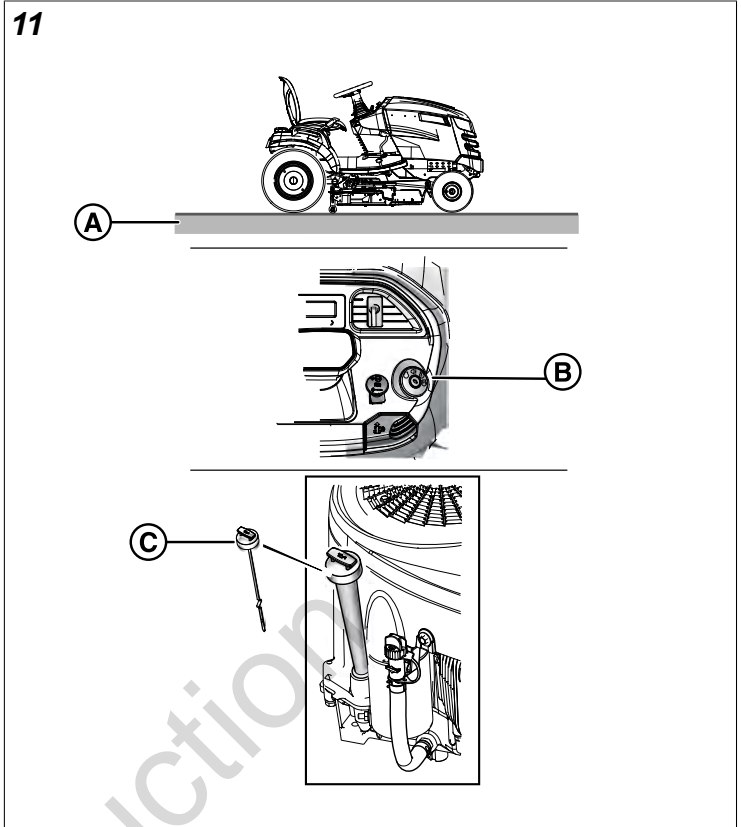
Si la lame de la tondeuse ne S'ARRÊTE pas dans les cinq secondes, l'embrayage doit être ajusté. NE PAS utiliser la machine avant que les réglages appropriés aient été effectués par un agent de service Briggs & Stratton agréé.

Une fois que l'interrupteur de prise de force (PTO) est en position ARRÊT, les lames et la courroie d'entraînement de la tondeuse doivent S'ARRÊTER dans les cinq secondes. Si la courroie d'entraînement de la tondeuse ne S'ARRÊTE pas dans les cinq secondes, contacter un centre de service Briggs & Stratton agréé.

## Vidange d'huile moteur

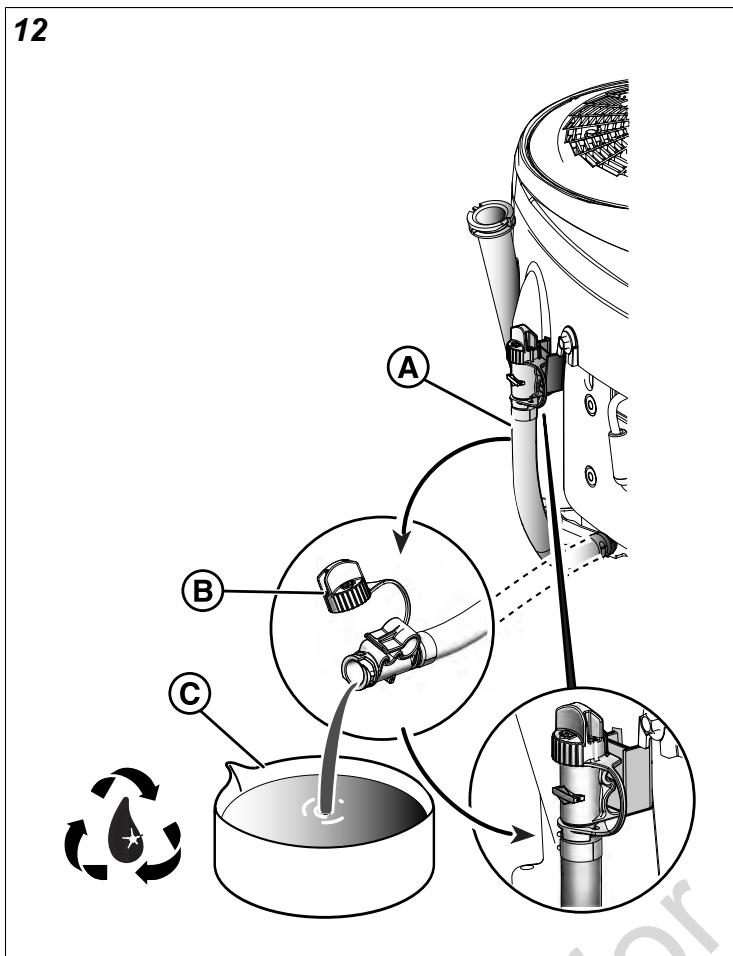
1. Mettre la tondeuse sur une surface à niveau (A, Figure 11).

2. Arrêter le moteur et retirer la clé de démarrage (B).
3. Nettoyer les zones de remplissage d'huile et de filtre.
4. Retirer la jauge (C).



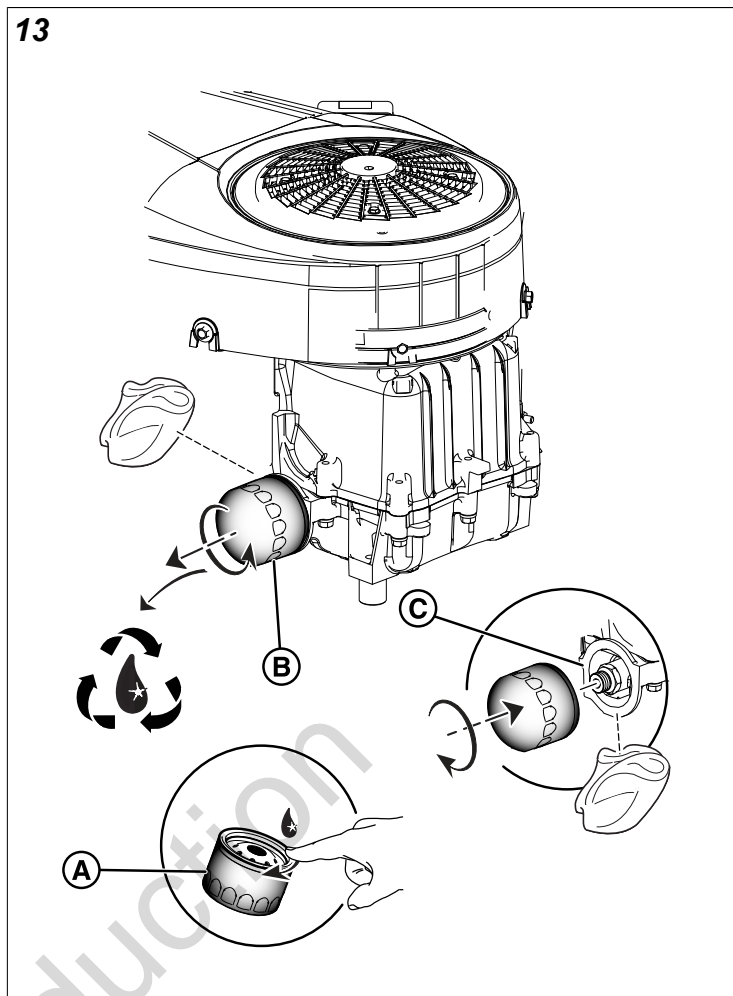
5. Débrancher le tuyau flexible de vidange d'huile (A, Figure 12).
6. Retirer soigneusement le capuchon (B) et abaisser le tuyau dans un contenant approuvé (C).

12



7. Après la vidange d'huile, installer le capuchon fermement puis fixer le tuyau flexible sur le côté du moteur.
8. Retirer le filtre à huile (B, Figure 13) et le jeter.
9. Lubrifier légèrement le joint d'étanchéité (A) du filtre à huile avec de l'huile propre.
10. Installer le filtre à huile à la main jusqu'à ce que le joint d'étanchéité touche l'adaptateur de filtre (C). Serrer ensuite le filtre à huile de 1/2 à 3/4 de tour.

13



11. Ajouter de l'huile (consulter la rubrique *Vérification et ajout d'huile*).

### Assemblage du filtre à air (cartouche avec préfiltre)



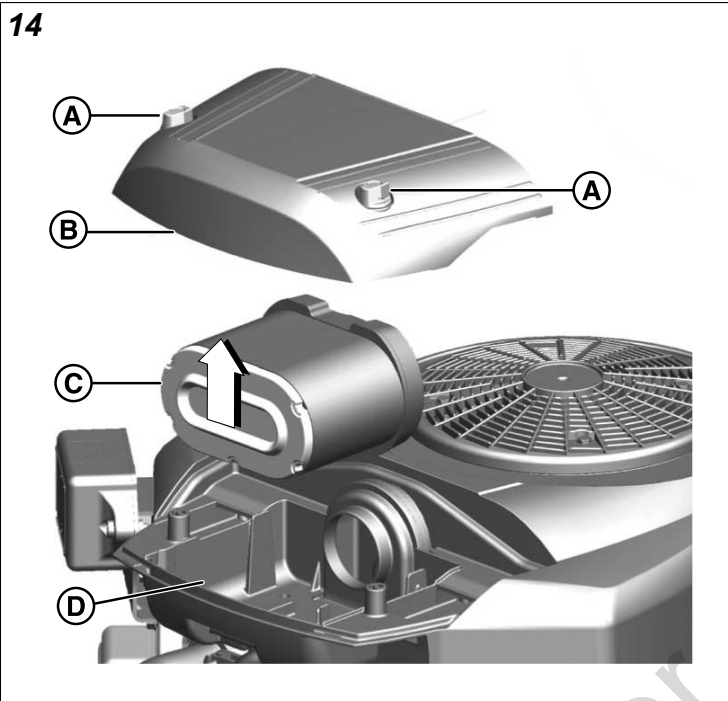
**AVERTISSEMENT**

NE PAS démarrer ni faire fonctionner le moteur sans l'ensemble du filtre à air ou le filtre, car cela constitue un risque d'incendie.

**AVIS** NE PAS utiliser de l'air comprimé ou des solvants pour nettoyer le filtre. L'air comprimé peut endommager le filtre et les solvants peuvent le dissoudre.

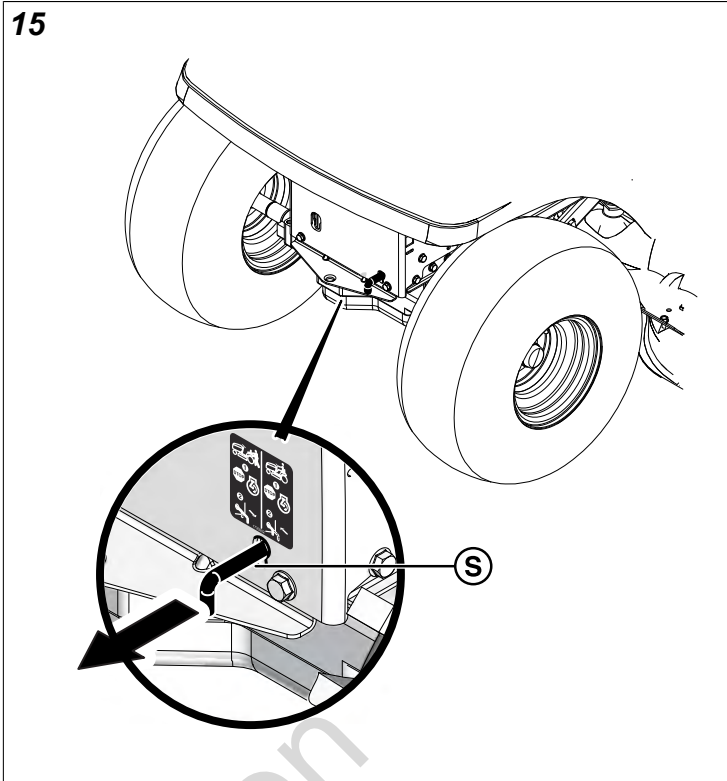
1. Desserrer les fixations (A, figure 14) et retirer le couvercle (B).
2. Retirer l'assemblage du filtre à air (C) et le démonter.
3. Retirer la matière ou les débris indésirables se trouvant dans la gorge du carburateur (D).
4. Enlever le pré-dépoussiéreur du filtre à air.
5. Pour libérer les débris, tapoter doucement le filtre à air sur une surface dure. Si le filtre à air sale, il doit être remplacé.

6. Faire tremper l'avant-filtre dans du détergent liquide et de l'eau. Le laisser sécher complètement à l'air libre. NE PAS lubrifier l'avant-filtre.
7. Assembler le dépoussiéreur sec au filtre à air.
8. Installer l'ensemble du filtre à air
9. Installer le couvercle et serrer les attaches.



## Déplacement du tracteur à la main

1. Désactiver la prise de force (PTO) (E, Figure 3).
2. ARRÊTER le moteur. Voir *Arrêter le moteur*.
3. Tirer le levier de débrayage de transmission (S, Figure 15). Baisser ensuite le levier en position verrouillée.



4. La tondeuse autoportée peut être poussée à la main.



### AVERTISSEMENT

Remorquer l'unité endommagera la transmission. Ne pas utiliser un autre véhicule pour pousser ou tirer cette machine. Ne pas activer le levier de désembrayage de transmission pendant que le moteur est en MARCHE.

## Vérifier la bougie d'allumage



### AVERTISSEMENT

Une étincelle accidentelle peut entraîner un incendie ou un choc électrique.

Un démarrage accidentel peut entraîner un emmêlement, une amputation traumatique ou une laceration.

#### Lors du essai de l'étincelle :

- Utiliser un vérificateur de bougies d'allumage approuvé.
- NE PAS vérifier l'allumage lorsque la bougie d'allumage est enlevée.

**AVIS** Les bougies d'allumage ont des plages de chaleur différentes. Il est important qu'une bougie d'allumage appropriée soit utilisée, sinon des dommages au moteur peuvent se produire. Remplacer la bougie par le même type ou son équivalent.

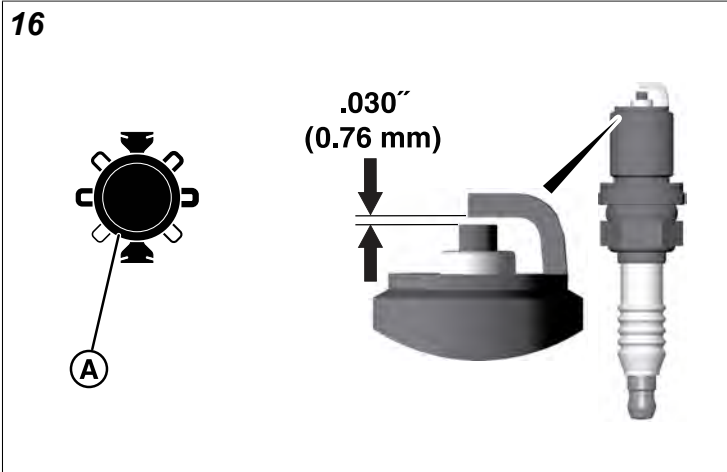
## Nettoyer les bougies d'allumage

Nettoyer les bougies d'allumage avec une brosse métallique et un couteau robuste. Ne PAS utiliser d'abrasifs.

## Vérifier de l'écartement de la bougie d'allumage

Utiliser une jauge d'épaisseur à lames (A, Figure 16) pour vérifier l'écartement entre les deux électrodes. L'écartement est adéquat lorsque la jauge frotte légèrement en la tirant par l'écartement.

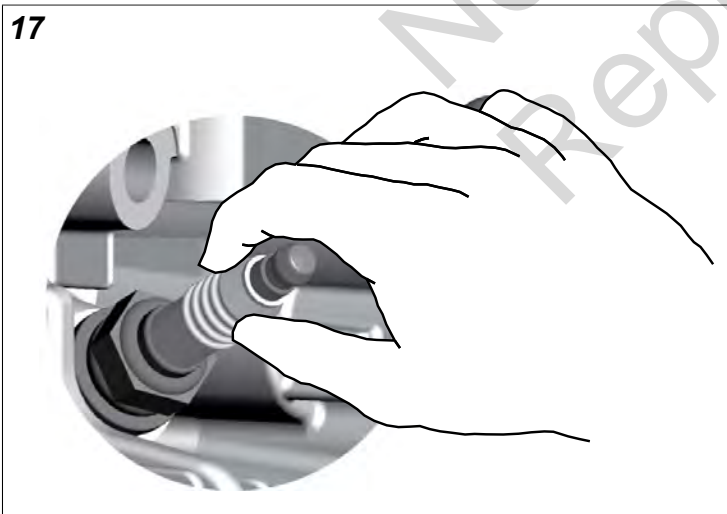
Pour régler l'écartement de la bougie d'allumage, utiliser une jauge à bougie d'allumage et plier délicatement l'électrode courbé. Veiller à ne pas toucher le centre de l'électrode ni la porcelaine.



## Installer les bougies

Serrer la bougie d'allumage avec les doigts, puis avec une clé comme illustré à la Figure 17.

- 180 po-lb (20 Nm), OU
- Un demi-tour (1/2) lors de la réinstallation de la bougie d'allumage d'origine OU
- Un quart (1/4) de tour lors de l'installation d'une bougie d'allumage neuve.



## Équipement remorqué

1. Avant de remorquer l'appareil, veiller à ce que l'attelage soit conçu pour le remorquage.
2. Ne pas attacher l'équipement remorqué SAUF au point d'attelage.

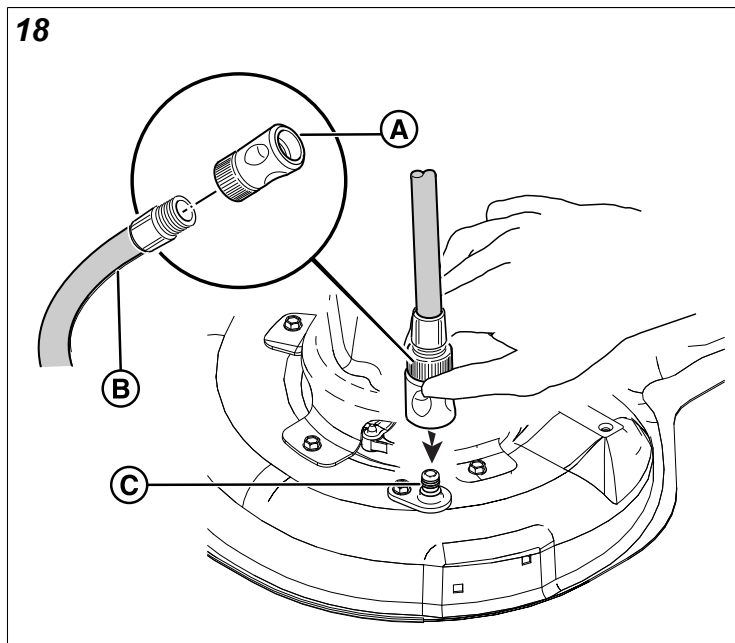
3. S'assurer de suivre les recommandations concernant les limites de poids de l'équipement remorqué et le remorquage sur les pentes.
  - Poids brut (remorque et charge) de 400 livres (181,4 kg).
  - Maximum de 20 lb (9,1 kg) pied sur ou sous le vérin.
  - Passer d'une limite de 10 degrés à une limite de 5 degrés sur les pentes.
4. NE PAS laisser des enfants ou toute autre personne monter dans ou sur un équipement remorqué.
5. Sur les pentes, le poids de l'équipement remorqué risque d'entraîner une perte de traction et une perte de contrôle.
6. NE PAS mettre au point mort et rouler en roue libre pour descendre la pente.

## Nettoyer le tuyau d'échappement (si équipé)

*Remarque :* Utiliser le point d'accès de rinçage (C, Figure 18) pour nettoyer le dessous du plateau de coupe.

1. Mettre l'appareil sur une surface plate et de niveau.
2. Fixer le raccord rapide (A, figure 18) au boyau d'arrosage (B) et raccorder au point d'accès de rinçage (C) sur le plateau de la tondeuse.
3. OUVRIR l'eau.
4. Démarrer le moteur. Voir *Démarrer le moteur*.
5. Régler la hauteur de coupe à la position la plus élevée. Voir *Réglage de la hauteur de coupe de la tondeuse*.
6. Enclencher la prise de force (PTO) pour activer les lames de la tondeuse. La rotation des lames et l'eau nettoieront le fond du plateau.
7. Désengager la PTO.
8. Arrêter le moteur. Voir *Arrêter le moteur*.
9. FERMER l'eau.
10. Enlever le boyau d'arrosage et le raccord rapide du point d'accès de rinçage (C).

18



- Contrôler tous les niveaux de liquide. Contrôler tous les points d'entretien.
- Effectuer tous les commandes et procédures recommandées qui se trouvant dans ce manuel.
- S'assurer que le moteur est chaud avant de l'utiliser.

## Entreposage



Ne jamais remiser l'unité (avec le carburant) dans une structure non ventilée. Les vapeurs de carburant peuvent se déplacer vers une source d'inflammation (telle qu'une chaudière, un chauffe-eau, etc.) et entraîner une explosion.

- Entreposer loin des fournaies, poêles, chauffe-eau ou autres appareils ménagers ayant une veilleuse ou une autre source d'allumage pouvant enflammer les vapeurs d'essence.

### Équipement

ÉTEINDRE la prise de force (PDF) et tirer le frein de stationnement. Retirer la clé de démarrage. Laisser la machine refroidir.

Si vous enlever la batterie, sa durée de vie augmentera. S'assurer que la batterie est dans un endroit frais et sec; la maintenir chargée. Si la batterie est laissée dans la machine, déconnecter le câble négatif.

### Système de carburant

Le carburant peut s'éventer lorsqu'il est conservé dans un réservoir de stockage pendant plus de 30 jours. Chaque fois que vous remplissez le réservoir de carburant, ajoutez un STA-BIL 360<sup>®</sup> PROTECTION<sup>™</sup> au carburant tel qu'indiqué dans les directives du fabricant. Ceci maintient la fraîcheur du carburant et réduit les problèmes liés au carburant ou à la contamination dans le système de carburant.

Il n'est pas nécessaire de vidanger le carburant du moteur lorsqu'on ajoute du STA-BIL 360<sup>®</sup> PROTECTION<sup>™</sup> selon les directives. Avant l'entreposage, laisser le moteur sur MARCHE pendant deux minutes pour faire circuler le carburant et le stabilisateur dans le système.

**Avant le démarrage de la machine après son remisage :**

# Dépannage

## Dépannage de la tondeuse autoportée

PROBLÈME	CHERCHER UNE	SOLUTION
Le moteur ne tourne pas ou ne démarre pas.	La pédale de frein n'est pas enfoncée.	Enfoncer complètement la pédale de frein.
	Réservoir d'essence vide.	Si le moteur est chaud, laisser refroidir puis refaire le plein de carburant.
	La PDF est illustrée en position ACTIVÉE.	Régler le commutateur de la PDF sur la position ARRÊT.
	Le régulateur de vitesse est enclenché.	Régler le régulateur de vitesse à la position NEUTRE/ARRÊT.
	Le moteur est noyé.	Dégager l'étrangleur.
	Les bornes de la batterie sont sales.	Vous reporter à <i>Nettoyer la batterie et les câbles</i> .
	La batterie est déchargée ou morte.	Recharger ou changer la batterie.
	Câble desserré ou sectionné.	Vérifier visuellement les connexions. Si les fils sont effilochés ou brisés, voir un concessionnaire agréé.
Le moteur démarre difficilement ou tourne mal.	Mélange de carburant trop riche.	Nettoyer le filtre à air.
Le moteur claque.	Niveau d'huile insuffisant.	Contrôler le niveau d'huile et au besoin, remettre au niveau.
	Mauvais grade d'huile.	Consulter la rubrique <i>Vérification et ajouter de l'huile moteur</i> .
Consommation d'huile excessive.	Le moteur est trop chaud.	Vérifier les ailettes du moteur, le tamis de soufflante et le filtre à air (si équipé).
	Mauvais grade d'huile.	Consulter la rubrique <i>Vérification et ajouter de l'huile moteur</i> .
	Excès d'huile dans le carter moteur.	Vidanger l'excédent d'huile.
La fumée d'échappement est noire.	Le filtre à air est sale.	Consulter la rubrique <i>Assemblage du filtre à air</i> .
	Le volet de départ est fermé.	Ouvrir le starter.
Le moteur fonctionne, mais la tondeuse autoportée n'avance pas.	Les pédales de contrôle de vitesse ne sont pas enfoncées.	Enfoncer les pédales de contrôle de vitesse.
	Le levier de débrayage de transmission est en position POUSSER.	Déplacer le levier de désembrayage de transmission à la position MARCHÉ AVANT.
	Le frein de stationnement est serré.	Désengager le frein de stationnement.
La tondeuse autoportée se manœuvre et braque difficilement.	Mauvais gonflage du pneu.	Consulter la rubrique <i>Vérification de la pression des pneus</i> .

*Remarque* : Pour tous les autres problèmes, prendre contact avec un revendeur agréé.

## Dépannage de la tondeuse

PROBLÈME	CHERCHER UNE	SOLUTION
Tonte irrégulière.	Les pneus sont mal gonflés.	Consulter la rubrique <i>Vérification de la pression des pneus</i> .
Tonte d'aspect grossier.	Le régime du moteur est trop lent.	Mettre à régime RAPIDE.
	La vitesse au sol est trop rapide.	Ralentir.
Le moteur cale facilement lorsque la tondeuse est engagée.	Le régime du moteur est trop lent.	Mettre à régime RAPIDE.
	La vitesse au sol est trop rapide.	Ralentir.
	Filtre à air sale ou bouché.	Consulter la rubrique <i>Assemblage du filtre à air</i> .
	Hauteur de coupe réglée trop bas.	Tondre les herbes hautes à la hauteur de coupe maximale lors d'un premier passage.
	Le moteur n'a pas atteint sa température de fonctionnement.	DÉMARRER le moteur et le laisser se réchauffer pendant plusieurs minutes.
Le moteur démarre et la tondeuse avance, mais ne coupe pas.	La prise de force (PDF) est débrayée.	Engager la PDF.

*Remarque* : Pour tous les autres problèmes, prendre contact avec un revendeur agréé.

# Spécifications

## Tableau des spécifications

Article	2691556, 2691663, 2691910	2691557, 2691911	2691664
Moteur	Intek™ Briggs & Stratton	Intek™ Briggs & Stratton	Professional Series™ Briggs & Stratton
Cylindrée	724 cm <sup>3</sup>	724 cm <sup>3</sup>	724 cm <sup>3</sup>
Système électrique	9 A	9 A	9 A
Batterie	12 V – 230 CCA	12 V – 230 CCA	12 V – 230 CCA
Volume d'huile	64 oz (1,9 L)	64 oz (1,9 L)	64 oz (1,9 L)
Écartement des électrodes de bougie	0,03 po (0,76 mm)	0,03 po (0,76 mm)	0,03 po (0,76 mm)
Couple de serrage de bougie	180 lb-po (20 Nm)	180 lb-po (20 Nm)	180 lb-po (20 Nm)
Capacité du réservoir de carburant	3,5 gal (13,2 L)	3,5 gal (13,2 L)	3,5 gal (13,2 L)
<b>Transmission</b>			
Marque et type	Tuff Torq® K46	Tuff Torq® K46	Tuff Torq® K46
<b>Châssis de tondeuse</b>			
Largeur de coupe	42 po (107 cm)	46 po (117 cm)	48 po (122 cm)
Nombre de lames	2 levages standard	3 levages standard	3 levages standard
Hauteur de coupe	1,5 à 3,5 po (3,8 à 8,9 cm)	1,0 à 3,5 po (2,5 à 8,9 cm)	1,5 à 3,5 po (3,8 à 8,9 cm)
<b>Châssis</b>			
Dimensions des roues avant	15 x 6-6	15 x 6-6	15 x 6-6
Pression de gonflage des pneus avant	12 à 14 psi (0,82 à 0,96 bar)	12 à 14 psi (0,82 à 0,96 bar)	12 à 14 psi (0,82 à 0,96 bar)
Dimensions des roues arrière	20 x 10-8	20 x 8-8	20 x 10-8
Pression de gonflage des pneus arrière	10 psi (0,68 bar)	10 psi (0,68 bar)	10 psi (0,68 bar)

### Clause de non-responsabilité sur la puissance

**Valeurs nominales :** Les valeurs brutes de puissance nominale de chaque modèle de moteurs à essence sont indiquées conformément au code J1940 Procédure d'évaluation de la puissance et du couple nominaux des petits moteurs de la SAE (Society of Automotive Engineers) et elles sont évaluées conformément à SAE J1995. Les valeurs de couple sont dérivées à 2 600 tr/min pour les moteurs avec « tr/min » sur l'étiquette et 3 060 tr/min pour tous les autres; les valeurs de puissance sont dérivées à 3 600 tr/min. Les courbes de puissance brute peuvent être consultées au [www.BRIGGSandSTRATTON.COM](http://www.BRIGGSandSTRATTON.COM). Les valeurs nettes de puissance sont prises alors que l'échappement et le filtre à air sont installés alors que les valeurs brutes de puissance sont mesurées sans ces accessoires. La puissance brute réelle du moteur sera supérieure à la puissance nette du moteur et sera affectée, entre autres, par les conditions de fonctionnement ambiantes ainsi que par les différences entre moteurs. Étant donné la vaste gamme de produits sur lesquels les moteurs sont installés, le moteur à carburant peut ne pas développer la puissance nominale brute lorsqu'il est utilisé pour entraîner une pièce d'appareil donnée. Cette différence est causée par différents facteurs dont, mais sans s'y limiter, la variété des composants du moteur (filtre à air, échappement, chargement, refroidissement, carburateur, pompe à carburant, etc.), les limites de l'appareil, les conditions de

fonctionnement ambiantes (température, humidité, altitude) et les différences entre les moteurs. En raison des limites de fabrication et de capacité, Briggs & Stratton peut substituer à ce moteur, un moteur d'une valeur de puissance plus élevée.



Not for  
Reproduction

Not for  
Reproduction

Not for  
Reproduction