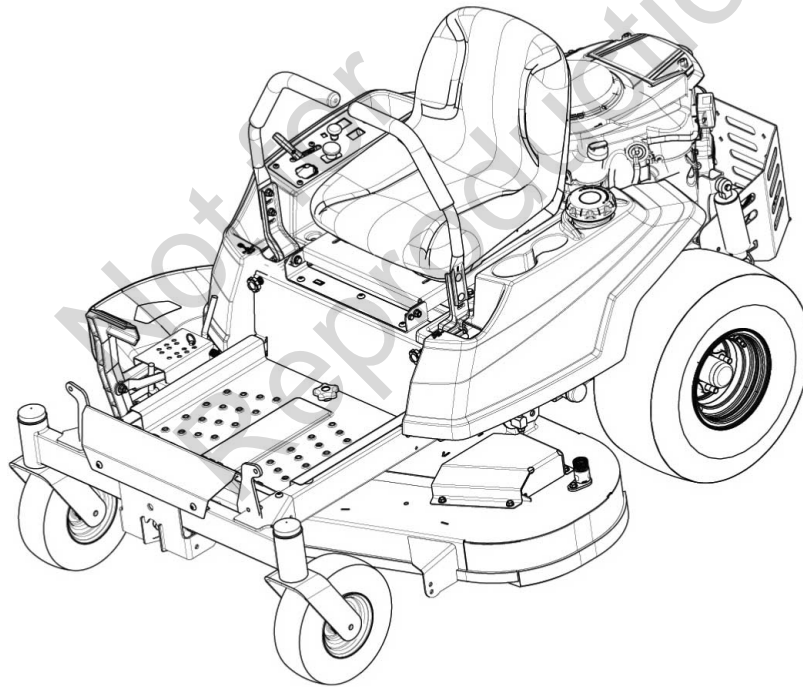


- en** *Operator's Manual*
- es** *Manual del operador*
- fr** *Manuel d'utilisation*



Manual Contents:

General Information.....	2
Operator Safety.....	2
Features and Controls.....	5
Operation.....	6
Maintenance.....	13
Troubleshooting.....	20
Specifications.....	21

General Information

For additional information, refer to the *Customer Contact Guide* included with the unit.

The illustrations in this document are representative. Your unit might look different from the images shown. *LEFT* and *RIGHT* are referenced from the operator's position.

The use of Important and Note in the text shows clarifications, exceptions, or alternatives to the procedures.

All language translations of this document derive from the initial English source file.



Recycle all packaging, used oil, and batteries according to applicable government regulations.

Operator Safety

Save these instructions for future reference. This manual contains safety information to make you aware of the hazards and risks associated with the product and how to avoid them. It also contains important instructions that must be obeyed during the initial set-up, operation, and maintenance of the product.

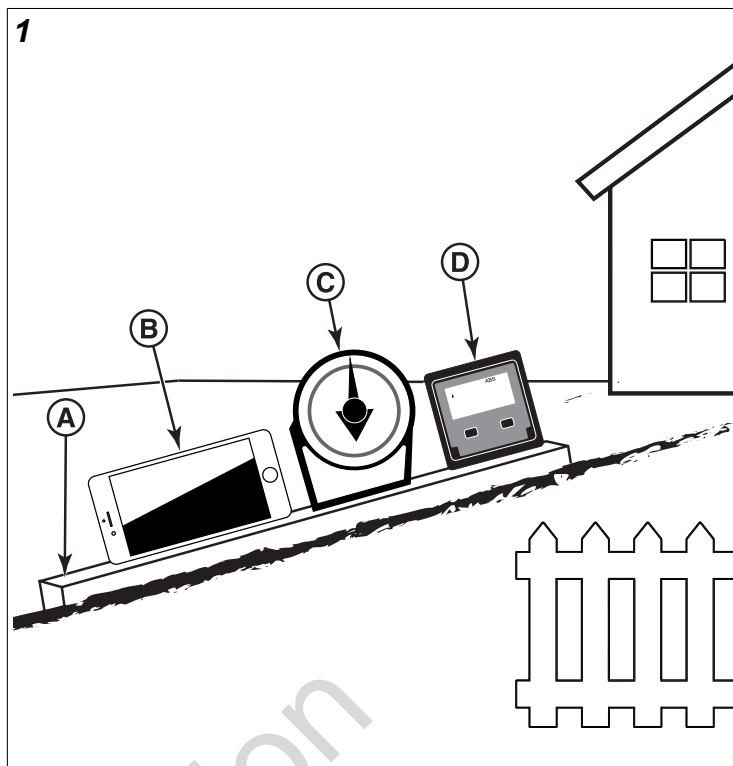
This product is designed and intended for cutting well maintained grass and is not intended for other purposes.

It is important that you read and understand these instructions before you attempt to start or operate this equipment.

Make sure that you are fully familiar with the controls and the correct use of the product.

Know how to stop the unit and disengage controls quickly.

Slope Identification Guide



How to measure the slope of a lawn surface with a smartphone or an angle finder tool:







WARNING




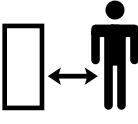
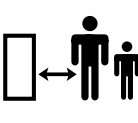


Do not operate on slopes greater than 10 degrees.

1. Use a straight edge at least two (2) feet long (A, Figure 1). A 2x4 or a straight piece of metal works well.
2. Angle finder tools.
 - a. **Use your smartphone:** Many smartphones (B, Figure 1) have an inclinometer (angle finder) located under the compass application (app). Or, search an app store for an Inclinometer app.
 - b. **Use angle finder tools:** Angle finder tools (C and D, Figure 1) are available at local hardware stores or online (also called inclinometer, protractor, angle meter, or angle gauge). Dial type (C) or digital type (D) work, others may not. Read and obey the user instructions supplied with the angle finder tool.
3. Put the two (2) feet long straight edge along the steepest part of the lawn slope. Put the board up and down the slope.
4. Lay the smartphone or angle finder tool on the straight edge and read the angle in degrees. This is the slope of your lawn.


Note: A paper gauge slope identification guide is included in your product literature packet and is also available to download from the manufacturer's website.


Safety Symbols and Meanings


Symbol	Meaning
	Safety information about hazards that can result in personal injury.
	Read and understand the Operator's Manual before you operate or service the unit.
	Remove the key and read the Operator's Manual before you service the unit.
	Stop
	Fire hazard
	Explosion hazard
	Shock hazard
	Toxic fume hazard
	Moving parts
	Wear eye protection.
	Hazardous chemical


Symbol	Meaning
	Hot surface hazard
	Amputation hazard
	Thrown objects hazard
	Keep a safe distance
	Keep children away
	Roll-over hazard
	Amputation hazard

Safety Alert Symbol and Signal Words

The safety alert symbol  identifies safety information about hazards that can result in personal injury. A signal word (**DANGER**, **WARNING**, or **CAUTION**) is used with the alert symbol to indicate the likelihood and the potential severity of injury. In addition, a hazard symbol may be used to represent the type of hazard.

 **DANGER** indicates a hazard which, if not avoided, **will** result in death or serious injury.

 **WARNING** indicates a hazard which, if not avoided, **could** result in death or serious injury.

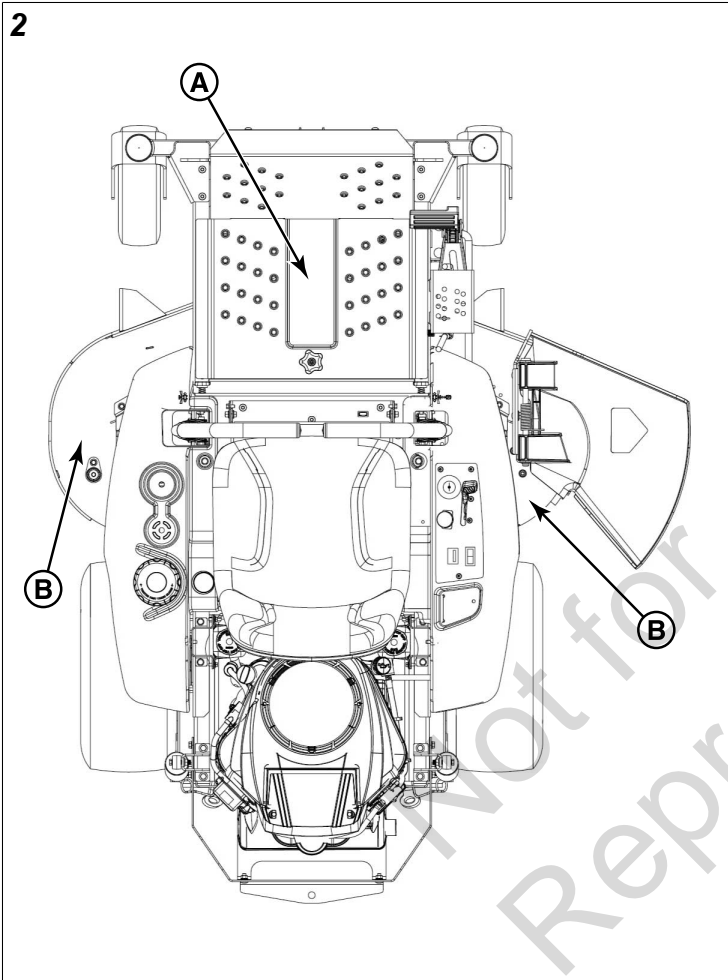
 **CAUTION** indicates a hazard which, if not avoided, **could** result in minor or moderate injury.

NOTICE indicates information considered important but not hazard-related.

Safety Decals

Before operating your machine, read and understand the safety decals. Compare Figure 2 with the table following. The cautions and warnings are for your safety. To avoid a personal injury or damage to the machine, understand and follow all the safety decals.

Important: If any safety decals become worn or damaged, and cannot be read, order replacement decals from your local dealer.



<p>A</p>	<p>Decal, Main Safety Part No. 5106564</p>	<p>⚠ DANGER</p> <p>Amputation hazard Rotating blades cut off arms and legs.</p> <ul style="list-style-type: none"> • Stop the mower when children or others are near. • Do not carry riders (especially children) even with the blades off. They may fall off or return for another ride when you are not expecting it. • Look down, behind and to the side before changing directions. <p>Loss of control and roll-over hazard Operating on slopes can be hazardous and cause loss of control and roll-overs.</p> <ul style="list-style-type: none"> • Do not operate on slopes over 10 degrees. • Avoid sudden turns or rapid speed changes. • Reduce speed and use extreme caution on slopes. • Avoid turning down slopes; if possible turn up slopes. • If machine stops forward motion on a slope, stop the blades and drive slowly off the slope. <p>Water, retaining walls and drop-off hazards Wheels dropping over edges may result in serious injury, death or drowning.</p> <ul style="list-style-type: none"> • Do NOT operate down slope towards or near water, retaining walls or drop-offs. • Give yourself a minimum of two mower widths of clearance around these hazards. <p>⚠ WARNING</p> <p>Fire hazard Gasoline is flammable. Yard debris is combustible.</p> <ul style="list-style-type: none"> • Allow engine to cool for at least 3 minutes before refueling. • Keep unit cleaned of debris. • This equipment may create sparks that can start fires around dry vegetation. A spark arrester may be required. Contact local fire agencies for regulations relating to fire prevention requirements. <p>Avoid serious injury or death Read the operator's manual before using this product.</p> <ul style="list-style-type: none"> • Do NOT operate this machine unless you are trained. • Know the location and function of all controls. • Keep safety devices (guards, shields, switches, etc.) in place and working. • Remove objects that could be thrown by the blade. • Be sure blades(s) and engine are stopped before placing hands or feet near blade(s). • When leaving machine, shut off, remove key, and set parking brake.
<p>B</p>	<p>Decal, Danger, Thrown Objects Part No. 7101665</p>	<p>⚠ DANGER</p> <p>Amputation and thrown objects hazard</p> <ul style="list-style-type: none"> • Keep hands and feet away from deck. • Do not operate mower unless discharge chute or entire grass catcher is in its proper place.

Safety Messages



WARNING

Read, understand, and obey all the instructions and warnings in the Operator's Manual and on the machine, engine, and attachments before you operate this machine. Failure to obey the safety instructions in this manual and on the equipment could result in death or serious injury.

- Only let operators who are responsible, trained and familiar with the instructions and physically capable to operate the machine.
- Do not operate the machine while under the influence of alcohol or drugs.
- Wear safety glasses and closed toe footwear.
- Do not put hands or feet near rotating parts or under the machine. Keep clear of the discharge opening at all times.
- Keep the machine in good working order. Replace worn or damaged parts.
- Be careful when you service the blades. Wrap the blades or wear gloves. Replace damaged blades. Do not repair or alter the blades.
- Use full width ramps when you load and unload a machine for transport.
- See attachment or accessory for proper wheel weights or counterweights.
- To help prevent fires, keep machine free of grass, leaves, or other unwanted material. Clean remaining oil or fuel spillage. Remove fuel soaked debris and let the machine to cool before storage.



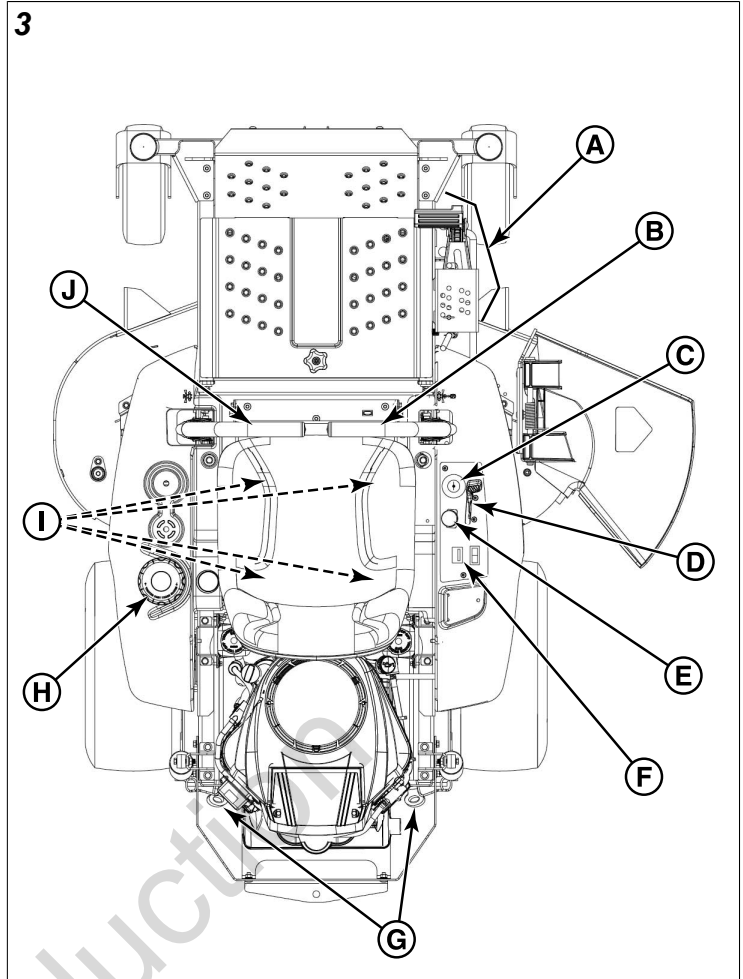
WARNING

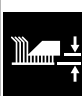
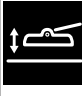

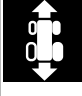
Running engine gives off carbon monoxide, an odorless, colorless, poison gas. Breathing carbon monoxide can cause headaches, fatigue, dizziness, vomiting, confusion, seizures, nausea, fainting or death.













- Operate equipment ONLY outdoors.
- Keep exhaust gas from entering a confined area through windows, doors, ventilation intakes, or other openings.

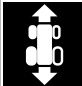
Features and Controls

Compare the features and controls in Figure 3 with the table following.



Ref.	Description / Function	Icon(s)	Definition / Operation
A	Deck Lift Pedal, Cutting Height Adjustment Pin and Deck Lift Lock Lever - adjusts cutting height	  	See Cutting Height Adjustment
B	Right Ground Speed Lever - controls speed and direction of right drive wheel; also engages parking brake		Forward ground speed increase - push lever forward Neutral - release lever Engine start - move lever out Reverse ground speed increase - pull lever back

			Parking brake engage - move lever out
C	Ignition Switch - starts engine		Engine off
			Engine on (run)
			Engine start
D	Engine Speed Control - controls engine speed		Choke on (closed) - Briggs engines only
			Engine speed fast
			Engine speed slow
E	PTO Switch - engages and disengages mower blade clutch		PTO engage - pull up on switch
F	Hour Meter		Indicates total hours of engine operation
G	Transmission Release Levers - release transmissions so unit can roll freely		See Pushing the Unit by Hand
H	Fuel Tank Cap		Turn cap counterclockwise to remove
I	Operator's Seat Adjust		See Seat Adjustments

J	Left Ground Speed Lever - controls speed and direction of left drive wheel		Forward ground speed increase - push lever forward Neutral - release lever Engine start - move lever out Reverse ground speed increase - pull lever back
----------	--	---	---

Operation

Operating Area

1. Know the area where you plan to operate the mower.
2. Make sure that the area is free of unwanted material that could be picked up by the blades and thrown.



DANGER

This machine can throw objects that could cause injury to bystanders or damage to buildings.

- Do not operate the machine without the entire grass catcher, discharge chute, or other safety devices in place and operating correctly. Check frequently for signs of wear or deterioration and replace as needed.
- Clear the operating area of any objects which could be thrown by or cause interference to the operation of the machine.

3. Move the rider mower outside, before you start the engine.



WARNING

Engines give off carbon monoxide, an odorless, colorless, poison gas. Breathing carbon monoxide can cause nausea, fainting, or death.

4. Note all slopes and drop-offs.



Operating on slopes, or near water, or drop-offs can result in loss of control and roll-over.

- Avoid turning down slopes; if possible turn up slopes.
- Decrease speed and be careful on slopes.
- Do not operate on slopes over 10 degrees, which is a 3.5 foot rise over a 20 foot length.
- Do not operate down slopes toward or near water, retaining walls, or drop-offs.
- Give yourself a minimum of two mower widths of clearance around water, retaining walls, or drop-offs.
- Do not mow wet grass.
- Do not operate machine under any condition where traction, steering, or stability is in question. Tires could slide even if the wheels are stopped.
- Do not start and stop on slopes.
- Do not make sudden changes in speed or direction.
- Make turns slowly and gradually.
- Be careful while operating the machine with a grass catcher or other attachment(s). They can affect the stability of the machine.
- Obey the manufacturer's instructions for weight limits for towed equipment and towing on slopes. See *Towed Equipment*.

5. Make sure that the operating area is clear of bystanders, especially children.



This rider mower is capable of amputating hands and feet.

- Stop the mower when children or others are near.
- Keep children out of the operating area and under adult supervision.
- Do not carry passengers, especially children, even with the blade(s) shut off. Children can fall off and be seriously injured or interfere with the safe machine operation. Children who have been given rides in the past can suddenly appear in the mowing area for another ride and be run over or backed over by the machine.
- Use care when approaching blind corners, shrubs, trees, or other objects that block vision.

Safety Interlock Systems Checks



DO NOT operate machine if any safety interlock or safety device is not in place and functioning properly. Contact your dealer immediately for assistance. DO NOT attempt to defeat, modify or remove any safety device.

TEST 1 - Engine must not crank if:

- PTO switch is engaged, OR,

- Ground speed levers are not locked in their START / PARK positions.

TEST 2 - Engine should crank if:

- PTO switch is NOT engaged, AND,
- Ground speed levers are locked in their START / PARK positions.

TEST 3 - Engine must shut off if:

- Operator rises off seat with PTO engaged, OR
- Operator rises off seat with ground speed levers not locked in their START / PARK positions.

TEST 4 - Check mower blade stopping time

The mower blades and mower drive belt should come to a complete stop within five seconds after the electric PTO switch is turned off. If mower drive belt does not stop within five seconds, see your dealer.

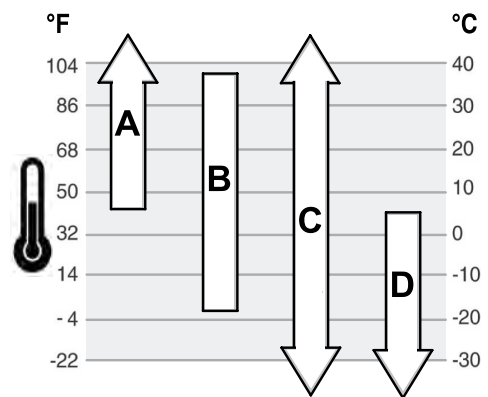
Note: Once the engine has stopped, the PTO switch must be turned off and the ground speed levers must be locked in their START/PARK positions in order to start the engine.

Oil Recommendations

Oil Capacity: See the *Specifications* section.

We recommend the use of Briggs & Stratton® Warranty Certified oils for best performance. Other high-quality detergent oils are acceptable if classified for service SF, SG, SH, SJ or higher. Do not use special additives.

Outdoor temperatures determine the proper oil viscosity for the engine. Use the chart to select the best viscosity for the outdoor temperature range expected.



A	SAE 30 - Below 40 °F (4 °C) the use of SAE 30 will result in hard starting.
B	10W-30 - Above 80 °F (27 °C) the use of 10W-30 may cause increased oil consumption. Check oil level more frequently.
C	Synthetic 5W-30
D	5W-30

Check Oil Level

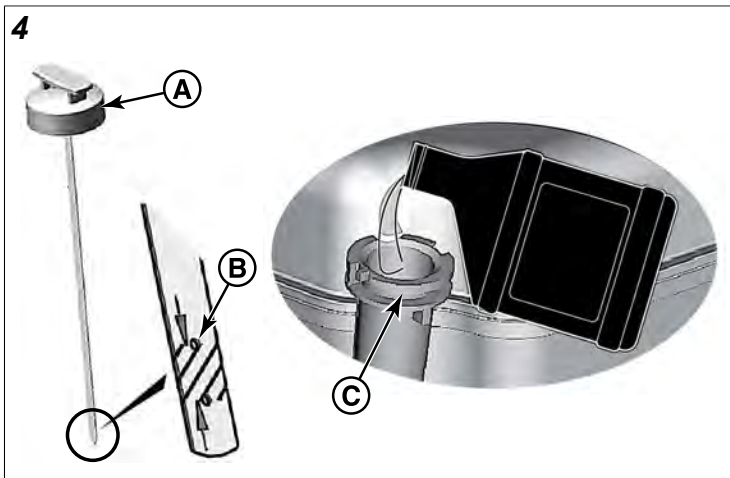
See Figure: 4

Before adding or checking the oil

- Make sure the engine is level.

- Clean the oil fill area of any debris.

1. Remove the dipstick (A, Figure 4) and wipe with a clean cloth.



2. Install and tighten the dipstick (A, Figure 4).
3. Remove the dipstick and check the oil level. Correct oil level is at the top of the full indicator (B, Figure 4) on the dipstick.
4. If oil level is low, slowly add oil into the engine oil fill (C, Figure 4). **Do not overfill.** After adding oil, wait one minute and then recheck the oil level.

Note: Do not add oil at the quick oil drain, if equipped. For location, see **Features and Controls**.

5. Reinstall and tighten the dipstick (A, Figure 4).

Oil Pressure

If the oil pressure is too low, a pressure switch (if equipped) will either stop the engine or activate a warning device on the equipment. If this occurs, stop the engine and check the oil level with the dipstick.

If the oil level is below the ADD mark, add oil until it touches the FULL mark. Start the engine and check for the correct oil pressure before you continue to operate the machine.

If the oil level is between the ADD and FULL marks, **DO NOT start the engine.** Contact an authorized service dealer to correct the oil pressure problem.

Fuel Recommendations

Fuel must meet these requirements:

- Clean, fresh, unleaded gasoline.
- A minimum of 87 octane / 87 AKI (91 RON). For high altitude use, see below.
- Gasoline with up to 10% ethanol (gasohol) is acceptable.

NOTICE Do not use unapproved gasolines, such as E15 and E85. Do not mix oil in gasoline or modify the engine to run on alternate fuels. Use of unapproved fuels will cause damage to engine components, **which will not be covered under warranty.**

To protect the fuel system from gum formation, mix a fuel stabilizer into the fuel. See the appropriate **Operator's**

Manual for recommendations. All fuel is not the same. If starting or performance problems occur, change fuel providers or change brands. This engine is certified to operate on gasoline. The emissions control system for this engine is EM (Engine Modifications).

High Altitude

At altitudes over 5,000 feet (1524 meters), a minimum 85 octane/85 AKI (89 RON) gasoline is acceptable.

For carbureted engines, high altitude adjustment is required to maintain performance. Operation without this adjustment will cause decreased performance, increased fuel consumption, and increased emissions. Contact a Briggs & Stratton Authorized Service Dealer for high altitude adjustment information. Operation of the engine at altitudes below 2,500 feet (762 meters) with the high altitude adjustment is not recommended.

For Electronic Fuel Injection (EFI) engines, no high altitude adjustment is necessary.

Adding Fuel



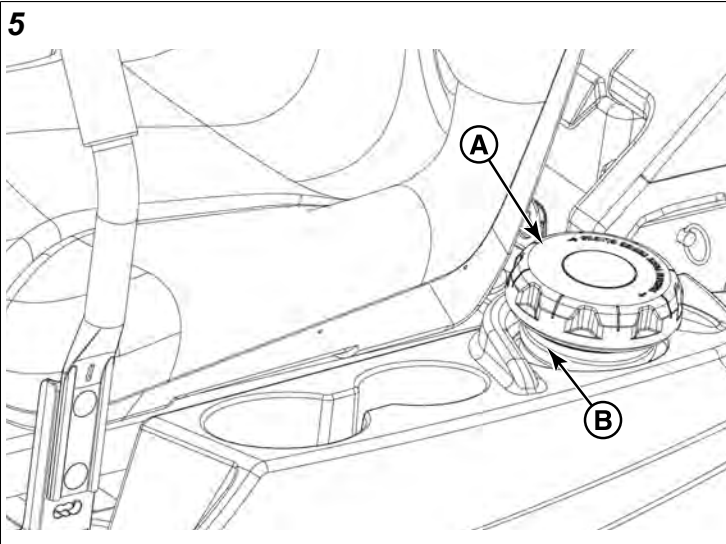
WARNING

Fuel and its vapors are extremely flammable and explosive.

Fire or explosion can cause severe burns or death.

When Adding Fuel

- Turn engine off and let engine cool at least 3 minutes before removing the fuel cap.
 - Extinguish all cigarettes, cigars, pipes, and other sources of ignition.
 - Fill fuel tank outdoors or in a well-ventilated area.
 - Do not overfill fuel tank. To allow for expansion of the fuel, do not fill above the bottom of the fuel tank neck.
 - Keep fuel away from sparks, open flames, pilot lights, heat, and other ignition sources.
 - Check fuel lines, tank, cap, and fittings frequently for cracks or leaks. Replace if necessary.
 - If fuel spills, wait until it evaporates before starting engine.
1. Clean the fuel cap area of dirt and debris. Remove the fuel cap (A, Figure 5).
 2. Fill the fuel tank with fuel. To allow for expansion of the fuel, do not fill above the bottom of the fuel tank neck (B).
 3. Reinstall the fuel cap.



Starting the Engine



WARNING

- If you do not understand how a specific control functions, or have not yet thoroughly read the *Features & Controls* section, do so now.
 - Do NOT attempt to operate the tractor without first becoming familiar with the location and function of all controls.
1. While sitting in the operator's seat, make sure the PTO switch is disengaged and the ground speed control levers are locked in the START/PARK position.

Note: The parking brake is automatically engaged when the ground speed levers are locked in the START/PARK position.

2. Set the engine speed control past the FAST position to the CHOKE position.

Note: A warm engine does not require choking.

Note: Some engines are equipped with a separate choke control.

Note: Some engines are equipped with a ReadyStart® feature, and do not feature a choke.

3. Insert the key into the ignition switch and turn it to START.
4. After the engine starts, turn off the choke (if equipped), and warm up the engine by running it for at least a minute before engaging the PTO switch or driving the rider.
5. After warming the engine, always operate the unit at full engine speed when mowing.

In the event of an emergency the engine can be stopped by simply turning the ignition switch to STOP. Use this method only in emergency situations. For normal engine shut down follow the procedure given in ***Stopping The Rider And Engine*** .

Stopping the Rider

1. Return the ground speed levers to the middle (or *neutral* 'N') position to stop rider movement. Pivot the levers outward to lock them in the START/PARK position.

Note: Moving the ground speed levers to the START/ PARK position automatically engages the parking brake.

2. Disengage the PTO by pushing down on the PTO switch.
3. Move the engine speed control to the SLOW position and turn the ignition switch to OFF. Remove the key.

Driving

Zero Turn Driving Practice

Before attempting to drive the zero-turn riding mower make sure you have read the ***Features and Controls*** section and understand the location and function of all of the unit's controls.

The ground speed control levers of this zero-turn riding mower are responsive, and learning to gain a smooth and efficient control of the unit's forward, reverse, and turning movements will take some practice.

Spending some time going through the maneuvers shown and becoming familiar with how the unit accelerates, travels, and steers, **before you begin mowing**, is absolutely essential to getting the most out of the zero-turn riding mower.

Locate a smooth, flat area of your lawn, one with plenty of room to maneuver. Clear the area of objects, people, and animals before you begin. Operate the unit at mid-throttle during this practice session (ALWAYS operate at full throttle when mowing), and turn slowly to prevent tire slippage and damage to your lawn.

We suggest you begin with the ***Smooth Travel*** procedure, and then advance through the forward, reverse, and turning maneuvers.

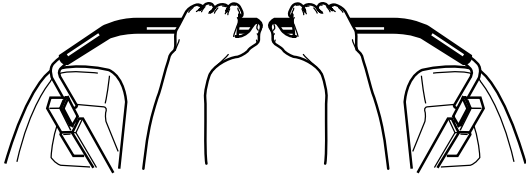
Smooth Travel

The lever controls of the Zero Turn rider are responsive.

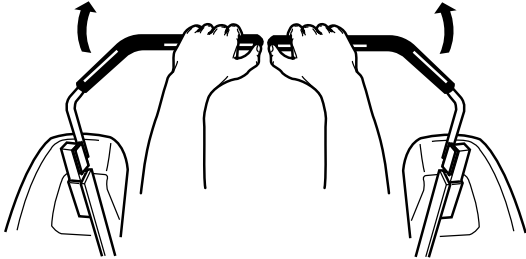
The BEST method of handling the ground speed control levers is in three steps — as shown in Figure 6.

6

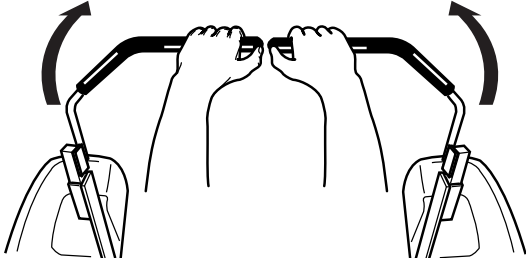
1



2



3



FIRST place your hands onto the levers as shown.

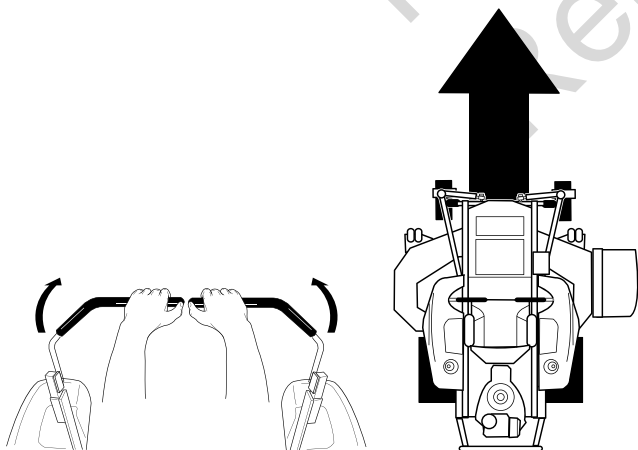
SECOND, to go forward gradually push the levers forward with your palms.

THIRD, to speed up move the levers farther forward. To slow down smoothly, slowly move the levers toward neutral.

Basic Driving

Forward Travel Practice

7

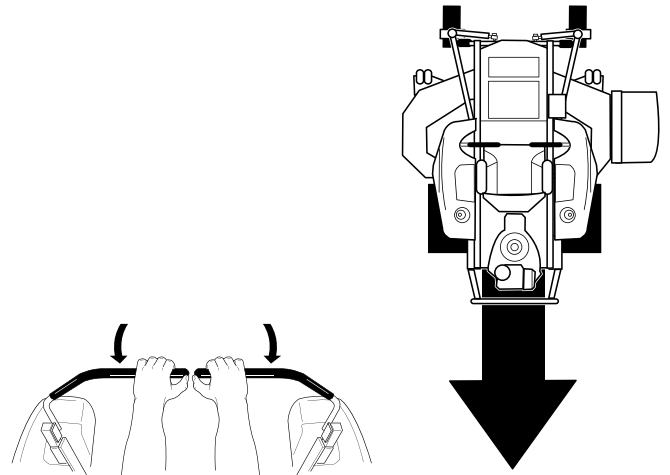


Gradually move both ground speed control levers — evenly **FORWARD** from neutral. Slow down and repeat.

NOTE: Straight forward travel takes practice. If necessary, top speed can be balance-adjusted — see the Speed Balancing Adjustment in the Adjustments section near the back of this manual.

Reverse Travel Practice

8

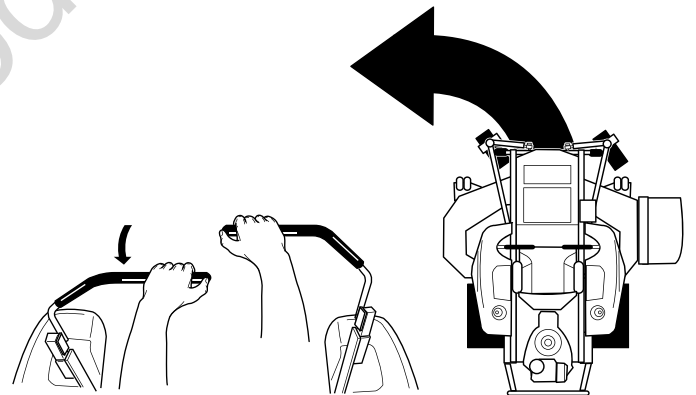


LOOK DOWN & BEHIND, then gradually move both ground speed control levers evenly **BACK** from neutral. Slow down and repeat.

NOTE: Practice backing up for several minutes before attempting to do so near objects. The rider turns sharply in reverse as well as forward, and backing up straight takes practice.

Practice Turning Around A Corner

9

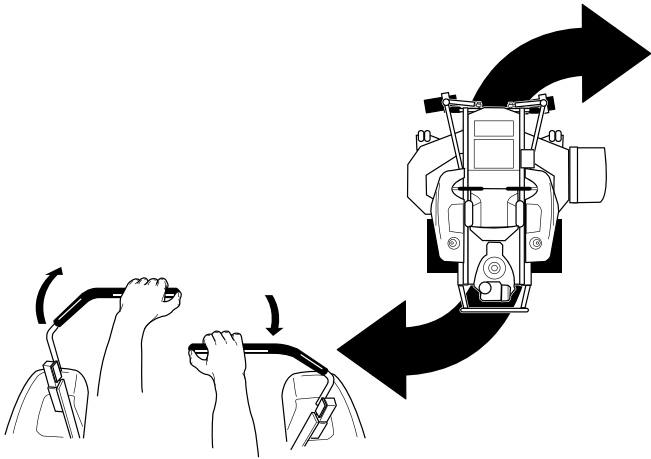


While traveling forward allow one handle to gradually return back toward neutral. Repeat several times.

NOTE: To prevent pivoting directly on the tire tread, it is best to keep both wheels going at least slightly forward.

Practice Turning in Place

10



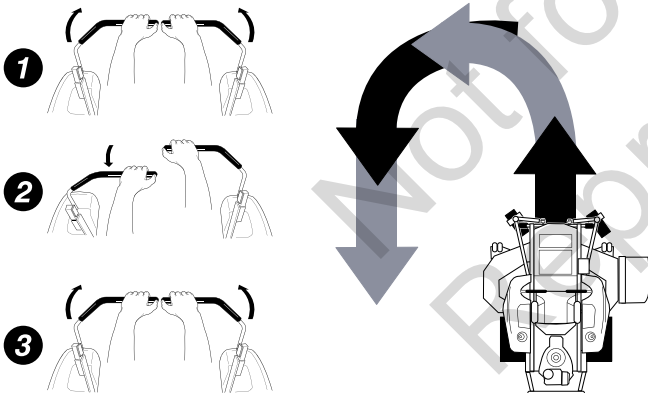
To turn in place, “Zero Turn,” gradually move one ground speed control lever forward from neutral and one lever back from neutral simultaneously. Repeat several times.

NOTE: Changing the amount each lever is pulled—forward or back, changes the “pivot point” you turn on.

Advanced Driving

Executing an End-Of-Row Zero Turn

11



Your Zero Turn Rider’s unique ability to turn in place allows you to turn around at the end of a cutting row rather than having to stop and Y-turn before starting a new row.

For example, to execute a left end-of row zero turn:

1. Slow down at the end of the row.
2. Move the RIGHT ground speed control lever forward slightly while moving the LEFT ground speed control lever back to center and then slightly back from center.
3. Begin mowing forward again.

This technique turns the rider LEFT and slightly overlaps the row just cut —eliminating the need to back up and re-cut missed grass.

As you become more familiar and experienced with operating the Zero Turn rider, you will learn more maneuvers that will make your mowing time easier and more enjoyable.

Remember, the more you practice, the better your control of the Zero Turn will be!

Mowing

1. Make sure the PTO switch is disengaged, the ground speed control levers are locked in their START/PARK positions, and the operator is in the seat.
2. Start the engine. See **Starting the Engine**.
3. Set the mower cutting height. See **Cutting Height Adjustment**.
4. Set the engine speed control to FAST.
5. Engage the PTO by pulling up on the PTO switch.
6. Pivot the ground speed levers in from the START/PARK position to the neutral ‘N’ position.
7. Begin mowing. See **Operator Safety** for tips on safe mowing practices.
8. When finished, shut off the PTO.
9. Stop the engine. See **Stopping The Rider And Engine**.

Towed Equipment

Secure the trailer with an appropriately sized clevis pin (A, Figure 12) and clip (B). See **Operator Safety** for additional safety information regarding trailers and towing.



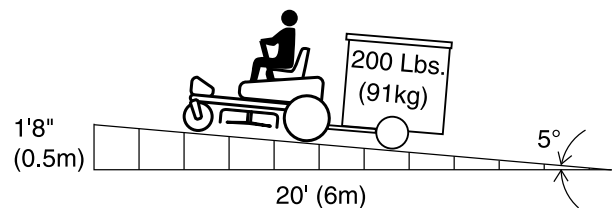
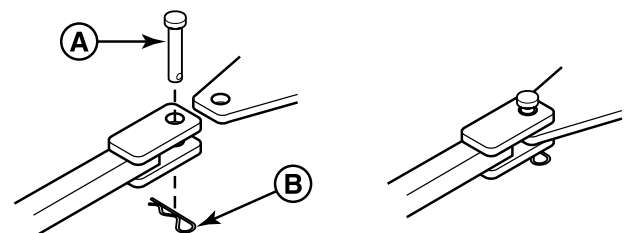
WARNING

Towing Hazard

Towed loads can be hazardous and cause loss of control on slopes.

- The max gross (trailer & load) weight of trailer is 200 lbs (91kg).
- Do not operate on slope exceeding 5 degrees.
- Reduce speed and use extreme caution on slopes.

12



Cutting Height Adjustment (Pin Type)

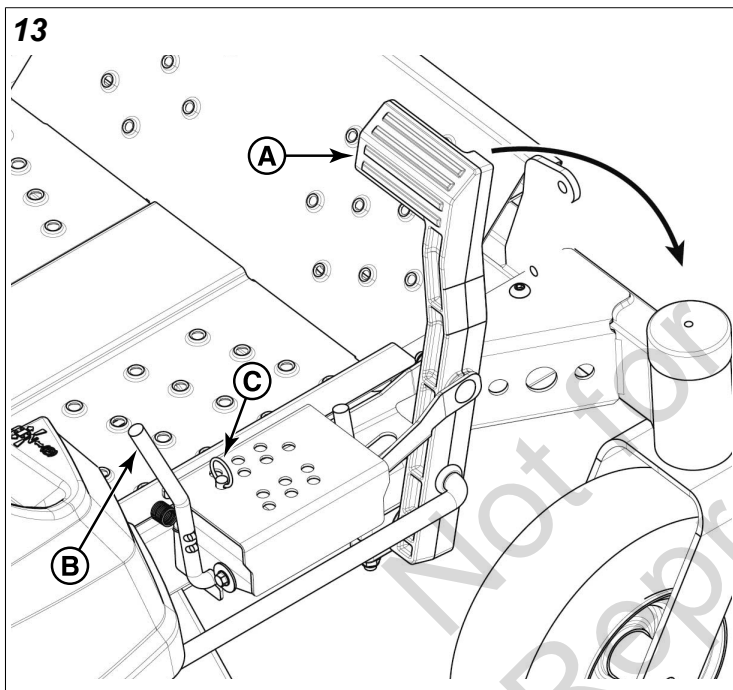
The cutting height adjust pedal adjusts the mower cutting height. See **Specifications** for cutting height adjustment range.

To adjust cutting height:

1. Fully depress the cutting height adjust pedal (A, Figure 13) until the transport release rod (B) locks the deck into the highest position (transport position).
2. Remove the pin (C, Figure 13) from the adjustment bracket, and insert it in the desired hole.

Note: Make sure the pin is inserted into the holes in both upper and lower plates of the adjustment bracket.

3. Depress the cutting height adjust pedal, move the transport release rod outward, and slowly release the pedal until it rests against the pin.

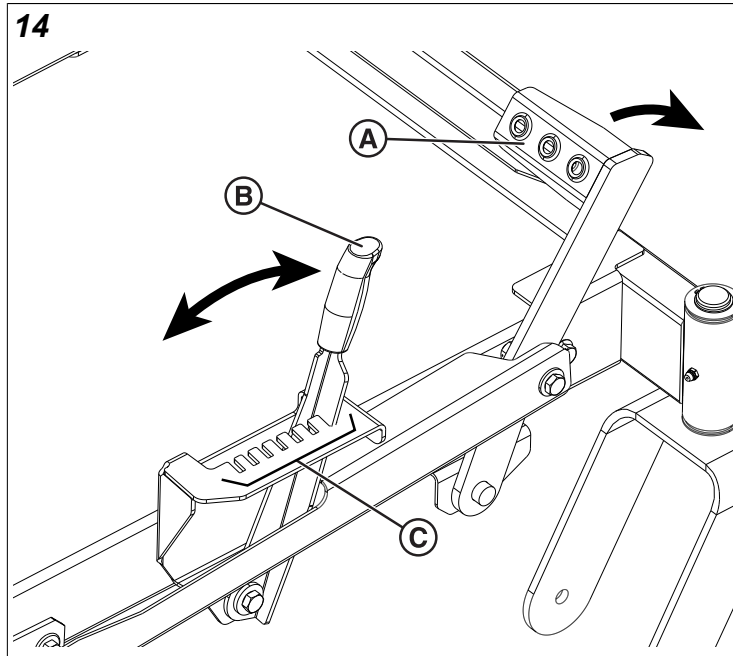


Cutting Height Adjustment (Slot Type)

The cutting height adjust pedal adjusts the mower cutting height. See **Specifications** for cutting height adjustment range.

To adjust cutting height:

1. Fully depress the cutting height adjust pedal (A, Figure 14).
2. Move the cutting height adjust lever (B, Figure 14) into the desired cutting height slot (C).
3. Slowly release the cutting height adjust pedal.



Cargo Bed (select models)

The cargo bed is designed to carry up to 50 lbs (22,7 kg). Slots in the rear of the bed will accommodate a 2 x 4 or 2 x 6 to help secure loads during transport.



WARNING

Amputation Hazard

Rotating blades cut off arms and legs. Do not carry riders (especially children) even with the blades off. They may fall off or return for another ride when you are not expecting it.



WARNING

Loss of Control and Roll-Over Hazard

Operating with loads in the cargo bed greater than 50 lbs can be hazardous and cause loss of control and roll-overs.

The cargo bed can be raised to access the engine compartment without removing it.

To raise the cargo bed

1. Raise the seat (A, Figure 15).
2. Pull up firmly on the rear of the bed (B, Figure 15).
3. When lowering the bed, press down firmly to secure the rear of the bed in place with the locking clips (D).

To remove the cargo bed

1. Remove the pins (C, Figure 15) securing the front of the bed to the rider frame.
2. Pull up firmly on the rear of the bed to release the locking clips (D, Figure 15).
3. Lift and remove the cargo bed from the rider.

CAUTION

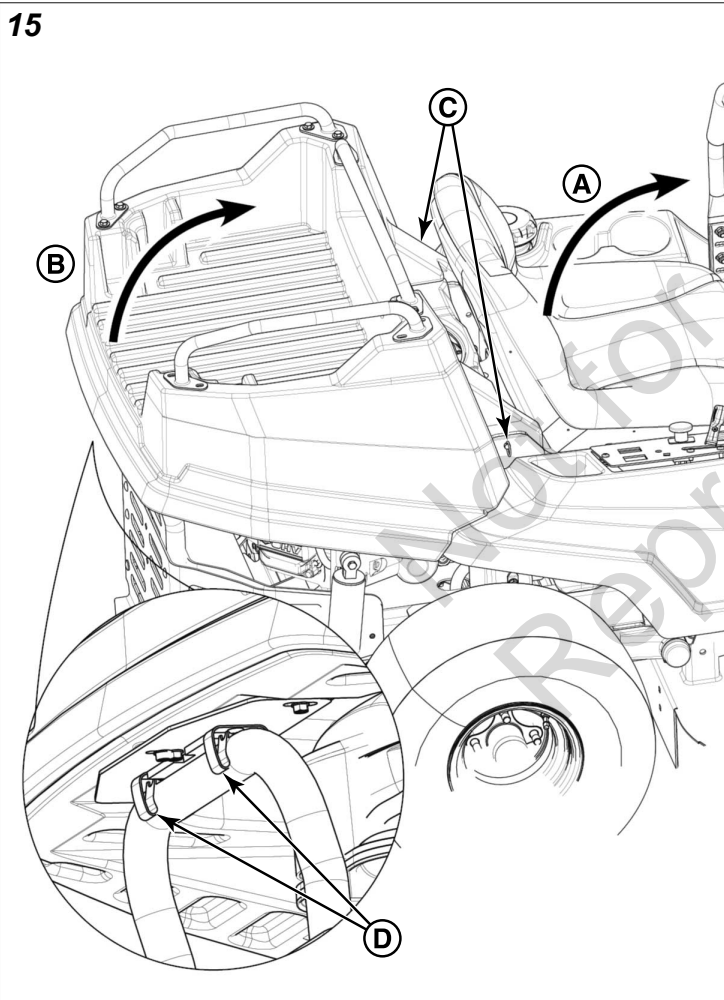
To avoid injury, assistance is required when removing or installing the cargo bed.

To install the cargo bed

1. Position the bed over the engine compartment, aligning the holes in the front of the bed with the holes in the frame brackets.
2. Install the pins (C, Figure 15) into the holes.
3. Lower the rear of the bed, pressing down firmly to secure with the locking clips (D, Figure 15).

CAUTION

To avoid injury, assistance is required when removing or installing the cargo bed.



Suspension Adjustment (if equipped)

The shock assemblies (A, Figure 16 - front shown, rear similar) can be adjusted to vary the amount of pre-load applied to the springs. This allows the operator to customize the ride according to operator's weight and operating conditions.

Less Pre-Load:

- Light operator weight

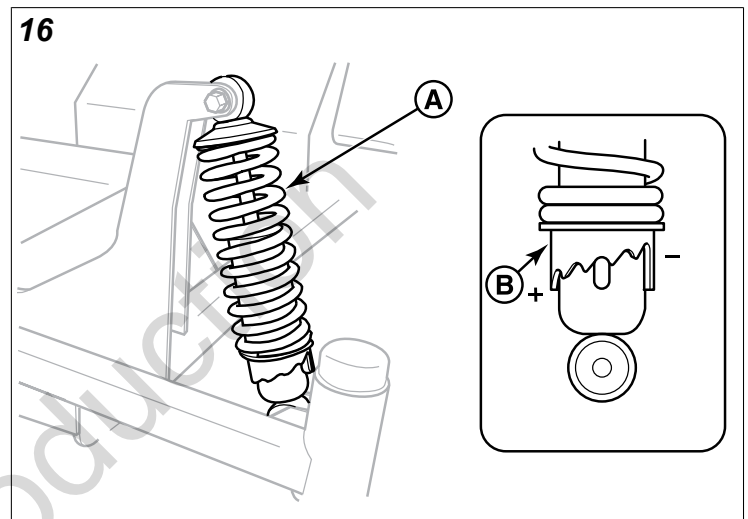
- Softer, more cushioned ride
- Best for relatively flat terrain

More Pre-Load:

- Heavy operator weight
- Stiffer, more rigid ride
- Better handling and greater stability on hilly terrain

To Adjust the Spring Pre-Load:

1. Park machine on a flat, level surface. Disengage the PTO, pivot the ground speed levers out to the START/PARK position, and stop the engine.
2. Turn the pre-load adjustment collar (B, Figure 16) to a higher notch (-) to decrease the pre-load, or to a lower notch (+) to increase the pre-load. Make sure all shocks are set to the same amount of pre-load.



Maintenance

Maintenance Schedule



Unintentional sparking can result in fire or electric shock.

Unintentional start-up can result in entanglement, traumatic amputation, or laceration.

Before performing adjustments or repairs:

- Disconnect the spark plug wire and keep it away from the spark plug.
- Disconnect battery at negative terminal (only engines with electric start).
- Use only correct tools.
- Do not tamper with governor spring, links, or other parts to increase engine speed.
- Replacement parts must be of the same design and installed in the same position as the original parts. Other parts may not perform as well, may damage the unit, and may result in injury.
- Do not strike the flywheel with a hammer or hard object because the flywheel may shatter during operation.

RIDER AND MOWER
Every 8 Hours or Daily
Check safety interlock system
Clean debris off rider and mower deck
Clean debris from engine compartment
Every 25 Hours or Annually *
Check mower blade stopping time
Check rider and mower for loose hardware
Check tire pressure
Every 50 Hours or Annually *
Check rider brakes
Clean battery and cables
See Dealer Annually to
Lubricate rider and mower
Check mower blades **

* Whichever comes first

** Check blades more often in regions with sandy soils or high dust conditions.

ENGINE
First 5 Hours
Change engine oil
Every 8 Hours or Daily
Check engine oil level
Every 25 Hours or Annually *
Clean engine air filter and pre-cleaner **
Every 50 Hours or Annually *
Change engine oil
Replace oil filter
Annually
Replace air filter
Replace pre-cleaner
See Dealer Annually to
Inspect muffler and spark arrester
Replace spark plug
Replace fuel filter
Clean engine air cooling system

* Whichever comes first

** Clean more often in dusty conditions or when airborne debris is present.

Emissions Control Service

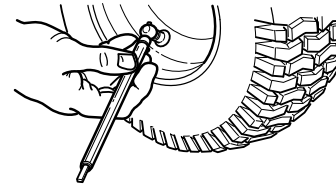
Maintenance, replacement, or repair of the emissions control devices and systems may be performed by any off-road engine repair establishment or individual. However, to obtain "no charge" emissions control service, the work must be performed by a factory authorized dealer. See the Emissions Control Statements.

Checking Tire Pressures

Tire pressure should be checked periodically (see Figure 17), and maintained at the levels shown in

the **Specifications** chart. Note that these pressures may differ slightly from the "Max Inflation" stamped on the sidewall of the tires. The pressures shown provide proper traction and extend tire life.

17



Check Mower Blade Stopping Time

Mower blades and mower drive belt should come to a complete stop within five seconds after the electric PTO switch is turned off.



WARNING

Unsafe Operation Hazard

If the mower blade does not come to a complete stop within 5 seconds, the blade must be adjusted. Do not operate the machine until the proper adjustment has been performed by an authorized dealer.

Check the mower blade for proper function. See Safety Interlock System Tests. The blade should stop rotating in 5 seconds or less after moving the blade control to the OFF position.

Battery Maintenance



WARNING



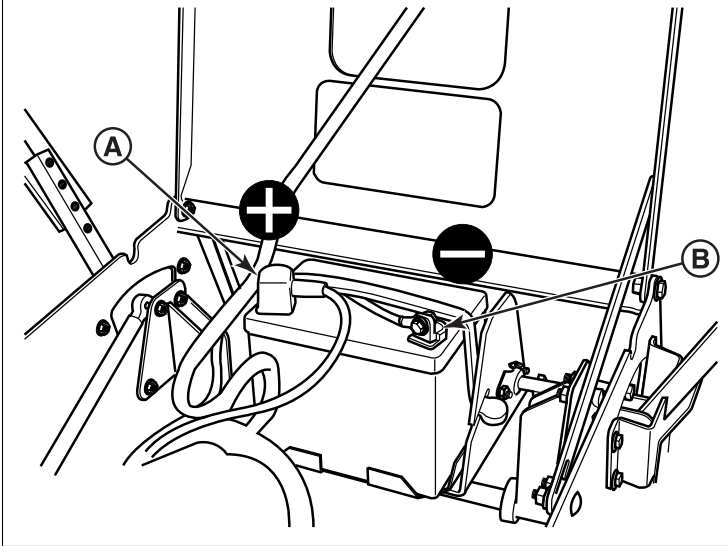
Explosion and Fire Hazard

When removing or installing battery cables, disconnect the negative cable **FIRST** and reconnect it **LAST**. If not done in this order, the positive terminal can be shorted to the frame by a tool.

Cleaning the Battery and Cables

1. Disconnect the cables from the battery, negative cable first (B, Figure 18).
2. Clean the battery terminals and cable ends with a wire brush until shiny.
3. Reinstall the battery and reattach the battery cables, positive cable first (A, Figure 18).
4. Coat the cable ends and battery terminals with petroleum jelly or non-conducting grease.
5. Be sure to replace the terminal cover over the positive battery terminal (A, Figure 18).

18



Charging The Battery



Explosion and Fire Hazard

Keep open flames and sparks away from the battery; the gasses coming from it are highly explosive. Ventilate the battery well during charging.

A dead battery or one too weak to start the engine may be the result of a defect in the charging system or other electrical component. If there is any doubt about the cause of the problem, see your dealer.

To charge the battery, follow the instructions provided by the battery charger manufacturer as well as all warnings included in the **Operator Safety** section of this manual. Charge the battery until fully charged. Do not charge at a rate higher than 10 amps.

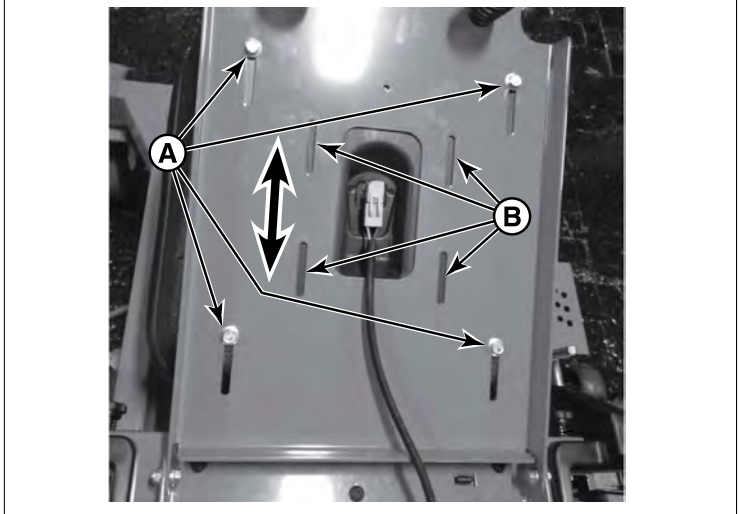
Seat And Ground Speed Lever Adjustments

The seat and ground speed levers should be adjusted so that the ground speed levers can be moved through their full range of motion without contacting the operator's legs.

Seat Adjustment

1. Raise the seat.
2. Loosen the adjustment hardware (A or B, Figure 19, depending on seat type) under the seat base.
3. Slide the seat forward or backward to the desired position.
4. Tighten the hardware to 80 lb-in (9 Nm).

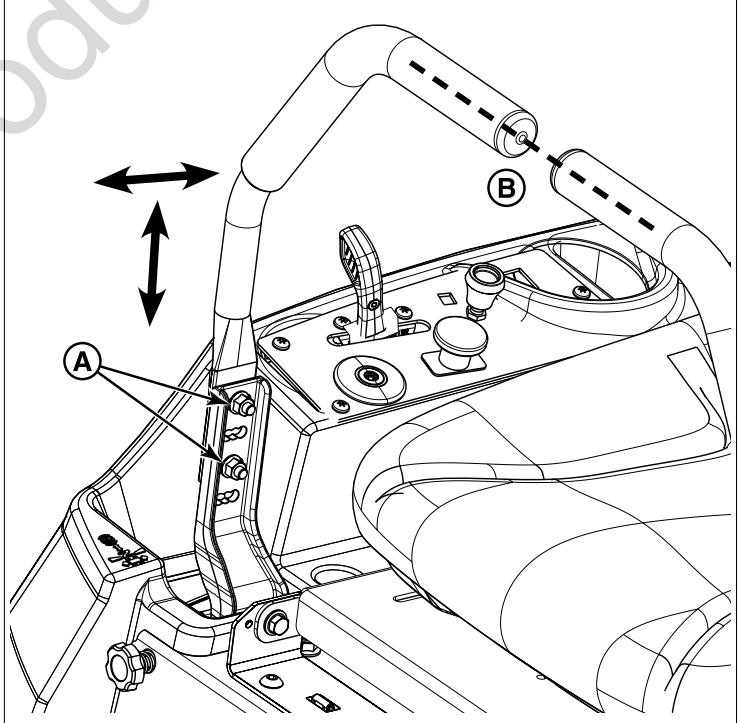
19



Ground Speed Lever Adjustment

1. Loosen the ground speed lever mounting hardware (A, Figure 20) to adjust the levers forward and backward.
2. Remove the hardware to raise or lower the levers.
3. Always be sure to adjust both levers so that they are aligned (B, Figure 20).
4. After adjustment is complete, tighten the hardware to 13 lb-ft (18 Nm).

20



Speed Balancing (Tracking) Adjustment

If the rider drifts to the right or left when the ground speed levers are in the maximum forward position, the top speed of each of these levers can be balanced. Only adjust the speed of the wheel that is traveling faster.

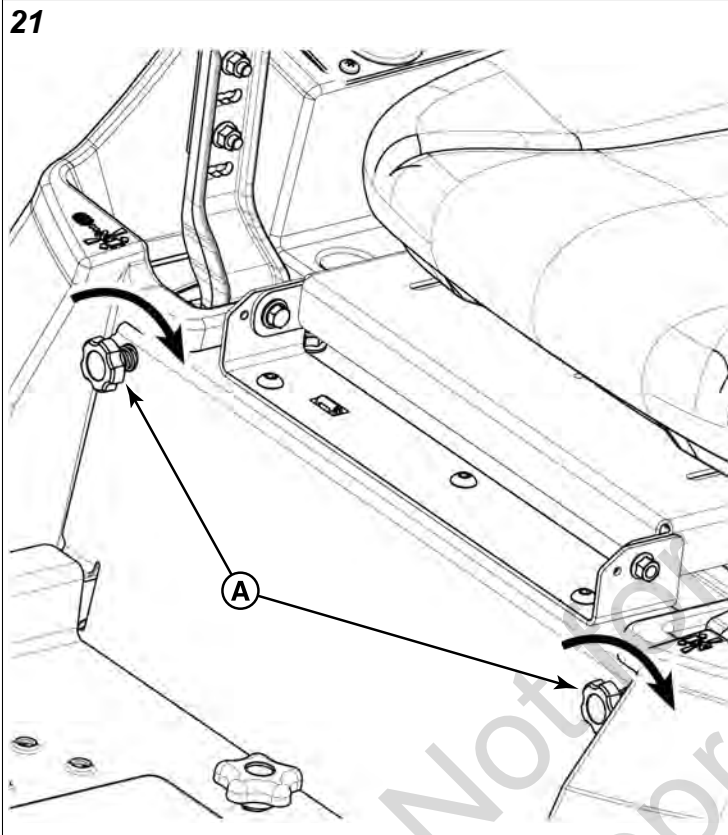
1. Tighten the knob (A, Figure 21) of the faster wheel by 1/2-turn (clockwise) increments until the rider travels (tracks) straight.



WARNING

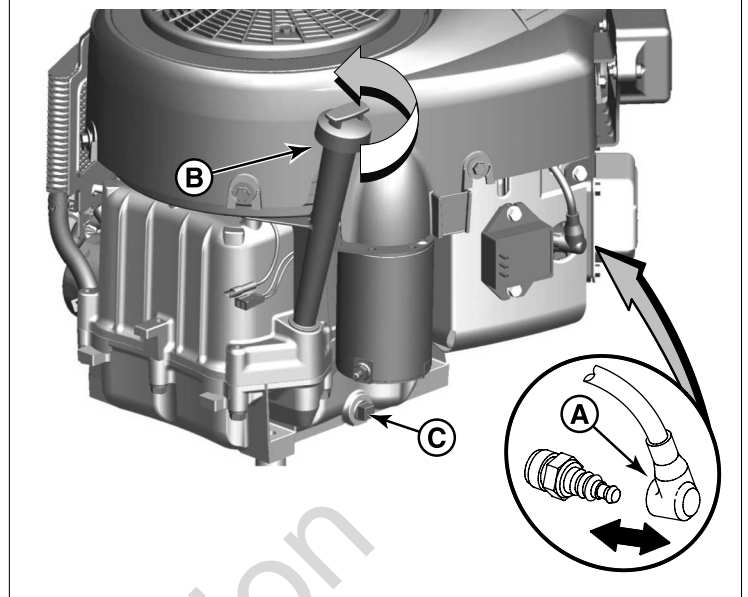
Unsafe Operation Hazard

DO NOT adjust the rider for a faster overall speed forward or reverse than it was designed.



1. Remove the oil drain plug (C, Figure 22). Drain the oil into an approved container.
2. After the oil has drained, install and tighten the oil drain plug.

22



Optional Quick Oil Drain

1. Disconnect the oil drain hose (H, Figure 23) from the side of the engine.
2. Turn and remove the oil drain cap (I, Figure 23). Carefully lower the quick oil drain (H) into an approved container (J).
3. After the oil has drained, install the oil drain cap. Attach the oil drain hose to the side of the engine.

Mower Removal And Installation

Refer to the Mower Deck Manual for instructions on removing and installing the mower deck.

Mower Deck Leveling

Refer to the Mower Deck Manual for instructions on leveling the mower deck.

Changing The Oil

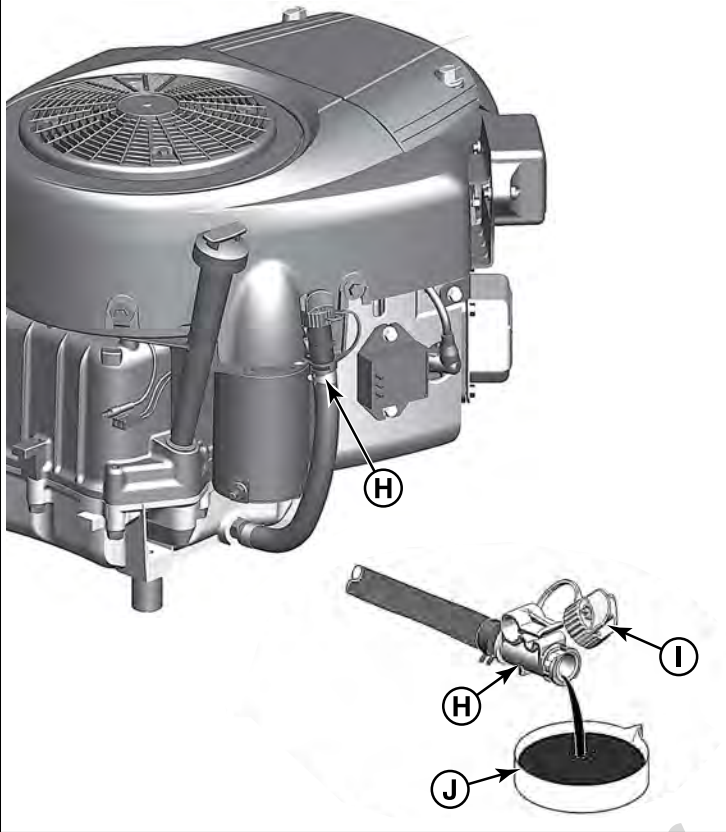
Used oil is a hazardous waste product and must be disposed of properly. Do not discard with household waste. Check with your local authorities, service center, or dealer for safe disposal/recycling facilities.

Draining The Oil

1. With engine off but still warm, disconnect the spark plug wire (A, Figure 22) and keep it away from the spark plug.
2. Remove the dipstick (B, Figure 22).

Standard Oil Drain Plug

23

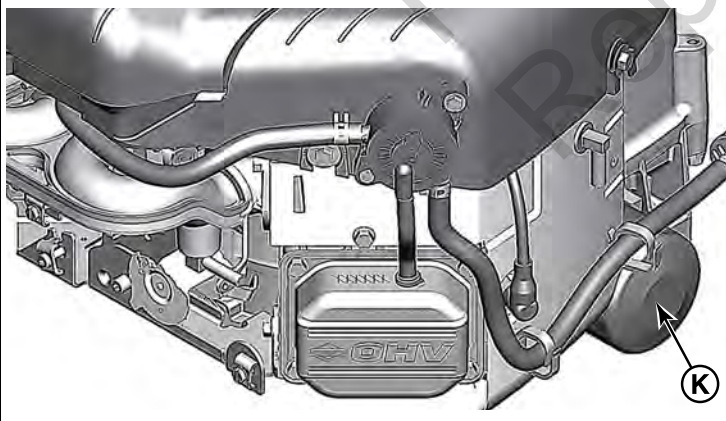


Changing The Oil Filter

For replacement intervals, see **Maintenance Schedule**.

1. Drain the oil from the engine. See **Draining The Oil**.
2. Remove the oil filter (K, Figure 24) and dispose of properly.

24



3. Before installing the new oil filter, lightly lubricate the oil filter gasket with fresh, clean oil.
4. Install the oil filter by hand until the gasket contacts the oil filter adapter, then tighten the oil filter 1/2 to 3/4 turns.
5. Add oil. See **Operation - Check Oil Level**.
6. Start and run the engine. As the engine warms up, check for oil leaks.
7. Stop the engine and check the oil level.

Servicing The Air Filter



Fire and Explosion Hazard

Fuel and its vapors are extremely flammable and explosive. Fire or explosion can cause severe burns or death.

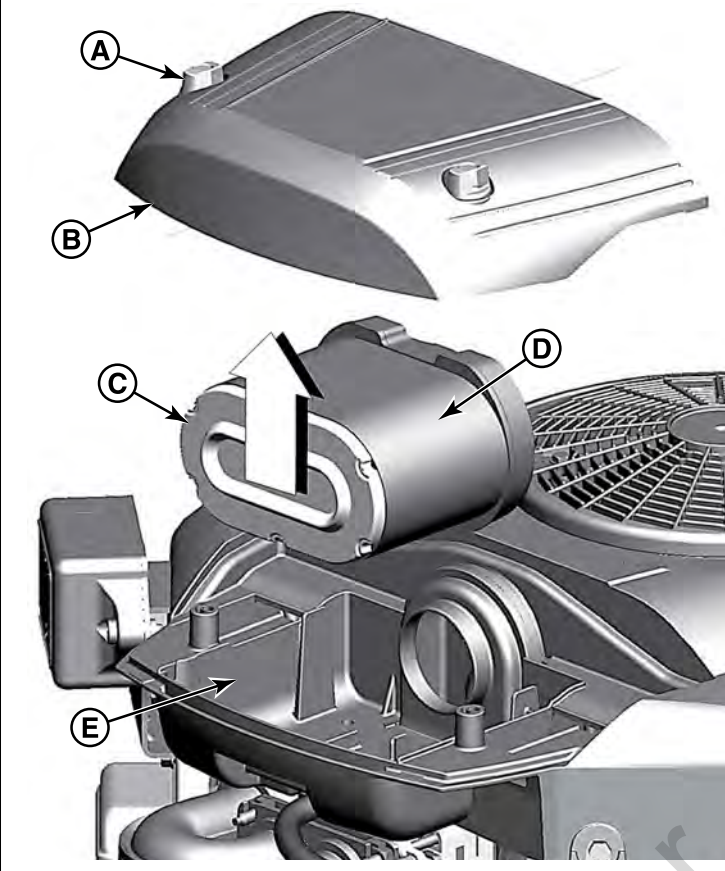
- Never start or run the engine with the air cleaner assembly or air filter removed.

NOTICE

Do not use pressurized air or solvents to clean the filter. Pressurized air can damage the filter and solvents will dissolve the filter.

1. Loosen the fasteners (A, Figure 25) and remove the cover (B).
2. To remove the filter (C, Figure 25), lift the end of the filter.
3. Remove the pre-cleaner (D, Figure 25), if equipped, from the filter.
4. To loosen debris, gently tap the filter on a hard surface. If the filter is excessively dirty, replace with a new filter.
5. Wash the pre-cleaner in liquid detergent and water. Then allow it to thoroughly air dry. Do not oil the pre-cleaner.
6. Assemble the dry pre-cleaner to the filter.
7. Install the filter into the engine base (E, Figure 25) and push down until the filter snaps in place.
8. Install the cover.

25



Service Air Filter

See Figure: 26



Fuel and its vapors are extremely flammable and explosive.

Fire or explosion can cause severe burns or death.

- Never start and run the engine with the air cleaner assembly (if equipped) or the air filter (if equipped) removed.

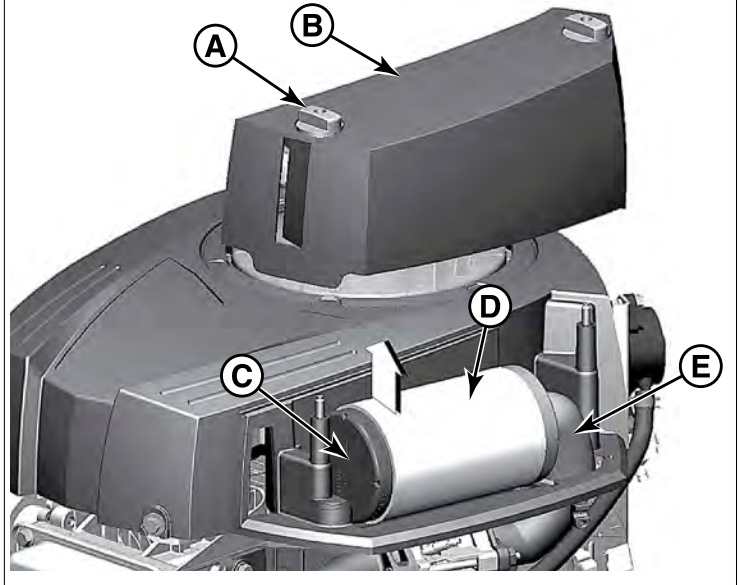
NOTICE Do not use pressurized air or solvents to clean the filter. Pressurized air can damage the filter and solvents will dissolve the filter.

See the **Maintenance Schedule** for service requirements.

Various models use either a foam or a paper filter. Some models may also have an optional pre-cleaner that can be washed and reused. Compare the illustrations in this manual with the type installed on your engine and service as follows.

1. Loosen the fastener(s) (A, Figure 26).

26



2. Remove the cover (B, Figure 26).
3. To remove the filter (C, Figure 26), lift the end of the filter and then pull the filter off the intake (E).
4. To loosen debris, gently tap the filter (C, Filter 26) on a hard surface. If the filter is excessively dirty, replace with a new filter.
5. Remove the pre-cleaner (D, Figure 26), if equipped, from the filter (C).
6. Wash the pre-cleaner (D, Figure 26) in liquid detergent and water. Allow the pre-cleaner to air dry. **Do not** oil the pre-cleaner.
7. Assemble the dry pre-cleaner (D, Figure 26), if equipped, to the filter (C).
8. Install the filter (C, Figure 26) on the intake (E). Push the end of the filter into the base. Make sure the filter fits securely in the base.
9. Install the cover (B, Figure 26) and secure with the fastener(s) (A). Make sure the fastener(s) is tight.

Check the Spark Plugs



Unintentional sparking can result in fire or electric shock.

Unintentional start-up can result in entanglement, traumatic amputation, or laceration.

When testing for spark:

- Use approved spark plug tester.
- Do not check for spark with spark plug removed.

NOTICE

Spark plugs have different heat ranges. It is important that the correct spark plug is used, otherwise, engine damage can occur. Replace the spark plug with the same type or equivalent one.

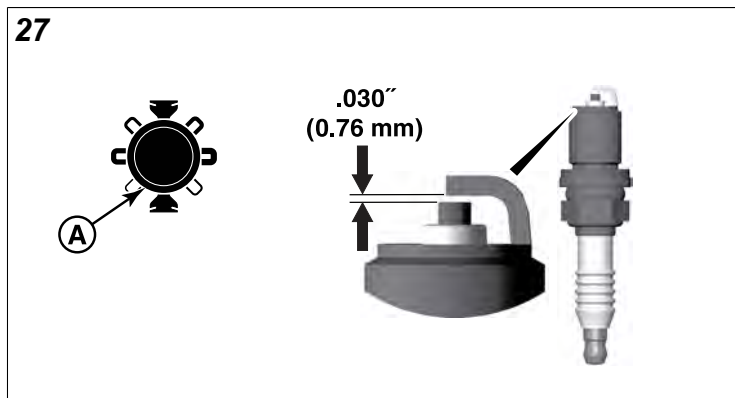
Clean Spark Plug

Clean the spark plug with a wire brush and sturdy knife. Do NOT use abrasives.

Check Spark Plug Gap

Use a spark plug feeler gauge (A, Figure 27) to check the gap between the two electrodes. When the gap is correct, the gauge will drag slightly as you pull it through the gap.

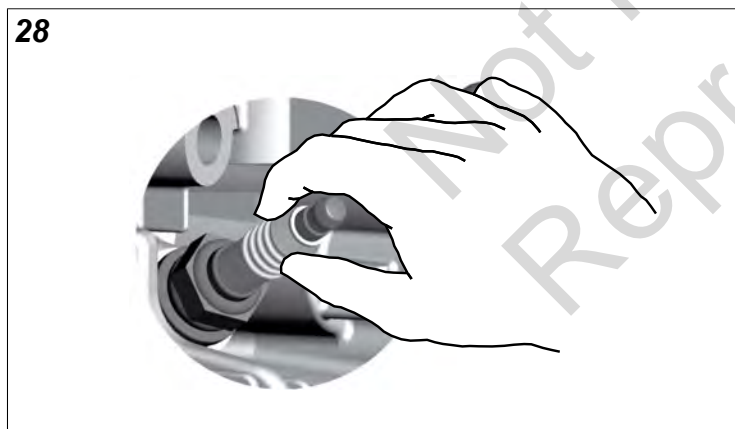
To adjust the spark plug gap, use a spark plug gauge and gently bend the curved electrode. Make sure that you do not touch the center electrode or the porcelain.



Install Spark Plug

Tighten the spark plug with your fingers, and then, tighten it with a wrench as shown in Figure 28.

- 180 in-lbs (20 Nm), OR
- 1/2 turn when you install the original spark plug. 1/4 turn when you install a new spark plug.



Pushing the Rider By Hand



WARNING

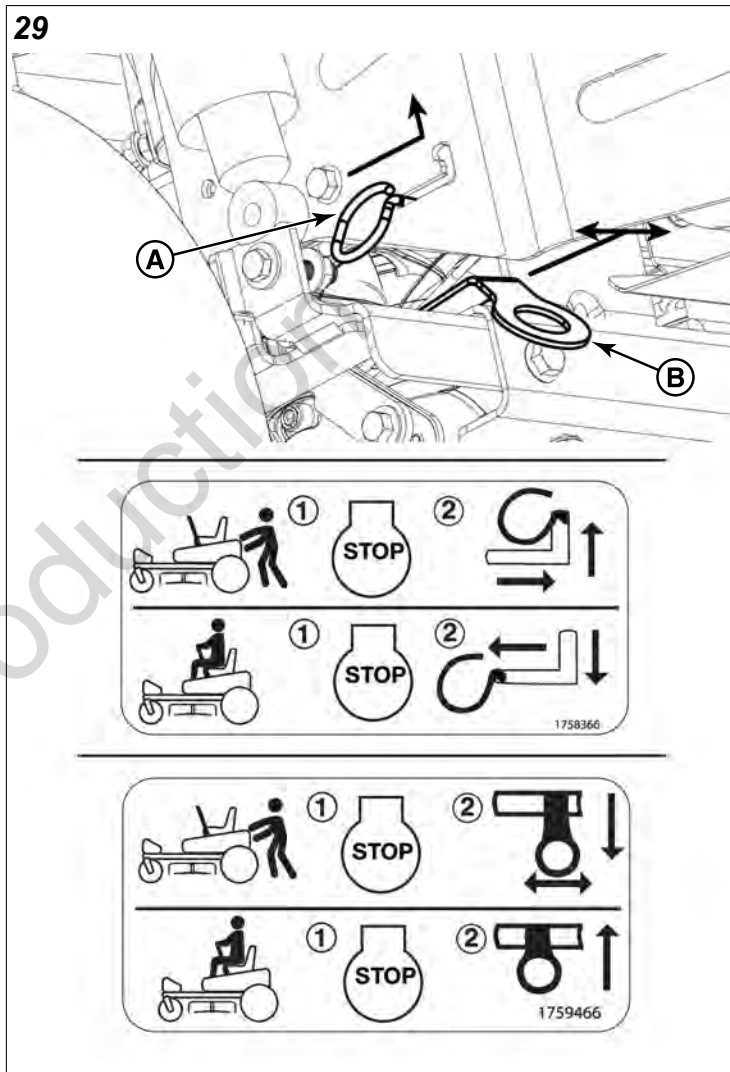
Unsafe Operation Hazard.

DO NOT disengage the transmissions and coast down slopes. DO NOT use Roll Release to disengage the transmissions unless machine motion can be controlled and engine is off.

NOTICE

Do not tow rider. Towing the unit will cause transmission damage. Do not use another vehicle to push or pull this unit.

1. Disengage the PTO, lock the ground speed levers into their START/PARK positions, turn the ignition OFF, remove the key, and wait for all moving parts to stop.
2. To disengage the transmissions, move the roll release levers (A or B, Figure 29, depending on model), into the PUSH position as shown.
3. Pivot the ground speed levers in from the START/ PARK position to the neutral 'N' position to disengage the parking brake. The rider can now be pushed by hand.
4. After moving the rider, re-engage the transmissions by moving the roll release levers back to the DRIVE position.



Cleaning

1. Clean dirt and debris from the rider and mower deck. *Note:* Some mower decks feature a washout port. See **Washing The Mower Deck**.
2. Clean any debris buildup in the engine compartment and from on or around the engine.



WARNING



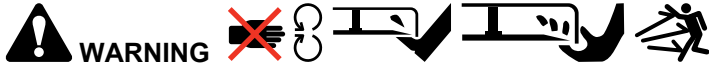
Fire Hazard

Yard debris is combustible.

- Clean dirt and debris from the rider and mower deck.
- Clean build-up from around the engine.

Washing The Mower Deck

The washout port allows you to connect a typical garden hose to the left-hand side of the mower deck to remove grass and debris from the underside.



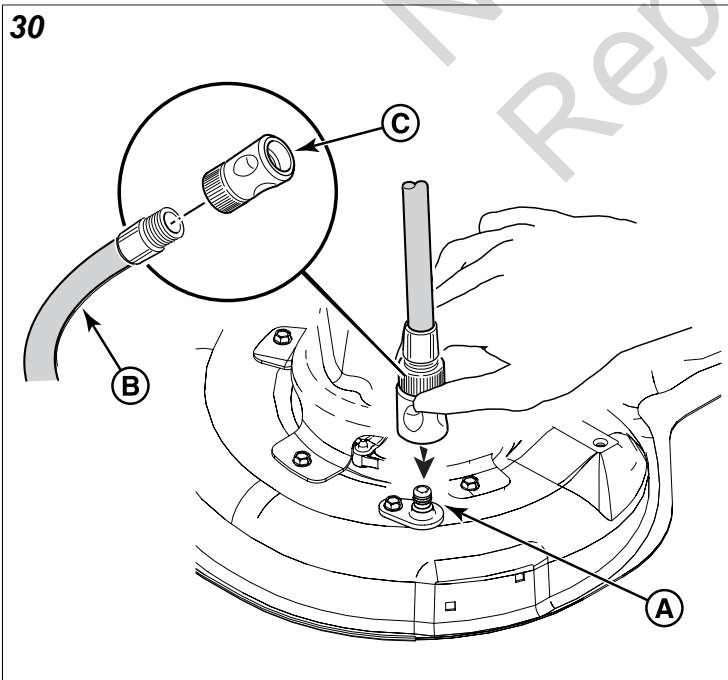
WARNING

Amputation and Thrown Object Hazard

Contact with the mower blades, or with objects thrown by the mower blades, could result in death or serious injury.

- Before running the mower, make sure the hose is properly connected and does not come into contact with the blades.
- When the mower is running and the blades are engaged, the person cleaning the mower deck must be in the operator position, with no bystanders in the area.

1. Place the unit on a smooth level surface.
2. Attach the quick disconnect (C, Figure 30) to garden hose (B) and connect to the washout port (A) on the mower deck.
3. Run water to remove grass and debris from the underside of the mower deck.
4. Turn the mower on and place in the highest cutting position.
5. Turn the mower off.
6. Remove the garden hose and quick disconnect from the washout port when completed.



Storage



Fire and Explosion Hazard

Never store the unit (with fuel) in a closed structure without sufficient airflow. Fuel vapors can travel to an ignition source (such as a furnace, water heater, etc.) and cause an explosion. Fuel vapor is also toxic to humans and animals.

When Storing Fuel Or Equipment With Fuel in Tank

- Store away from furnaces, stoves, water heaters, or other appliances that have pilot lights or other ignition sources because they can ignite fuel vapors.

Equipment

Disengage the PTO, lock the ground speed levers in the START/PARK position, and remove the key.

Battery life will be increased if it is removed. Put in a cool, dry place and keep fully charged during storage. If the battery is left in the unit, disconnect the negative cable.

Engine Oil

While the engine is still warm, change the engine oil.

Before starting the unit after it has been stored:

- Check all fluid levels. Check all maintenance items.
- Do all recommended checks and procedures found in this manual.
- Let the engine warm up for several minutes before use.

Storage - Fuel System

Fuel can become stale when kept in a storage container for more than 30 days. Each time you fill the container with fuel, add STA-BIL 360[®] PROTECTION™ to the fuel as specified by the manufacturer's instructions. This keeps fuel fresh and decreases fuel-related problems or contamination in the fuel system.

It is not necessary to drain fuel from the engine when STA-BIL 360[®] PROTECTION™ is added as instructed. Before storage, turn the engine ON for 2 minutes to move the fuel and stabilizer through the fuel system.

Troubleshooting

Troubleshooting The Rider

PROBLEM	LOOK FOR	REMEDY
Engine will not turnover or start.	Ground speed levers not in START/PARK positions.	Lock ground speed levers in START/ PARK positions.
	PTO (electric clutch) switch in ON position.	Place in OFF position.
	Out of fuel.	If engine is hot, allow it to cool, then refill the fuel tank.
	Engine flooded.	Open the choke (if equipped).
	Battery terminals require cleaning.	Clean the battery terminals.

PROBLEM	LOOK FOR	REMEDY
	Battery discharged or dead.	Recharge or replace.
	Spark plug(s) faulty, fouled or incorrectly gapped.	Clean and gap or replace.
Engine starts hard or runs poorly.	Fuel mixture too rich.	Clean air filter. Check the choke (if equipped).
	Spark plug faulty, fouled, or incorrectly gapped.	Clean and gap or replace.
Engine knocks.	Low oil level.	Check/add oil as required.
	Using wrong grade oil.	See Oil Recommendations .
Excessive oil consumption.	Engine running too hot.	Check engine fins, blower screen, and air cleaner.
	Using wrong grade oil.	See Oil Recommendations .
	Too much oil in crankcase.	Drain excess oil.
Engine exhaust is black.	Dirty air filter.	Replace air filter.
	Engine choke control is in closed position.	Open choke control (if equipped).
Engine runs, but rider will not drive.	Transmission(s) disengaged.	Unlock roll release lever(s).
Rider drive belt slips.	Pulleys or belt greasy or oily.	Clean as required.
Rider steers or handles poorly.	Steering linkage is loose.	Check and tighten any loose connections.

For all other issues, see authorized dealer.

Troubleshooting The Mower

PROBLEM	LOOK FOR	REMEDY
Mower will not raise.	Mower deck not properly installed.	See Mower Removal And Installation .
Mower cut is uneven.	Mower not leveled properly.	See Mower Deck Leveling .
	Rider tires not inflated equally or properly.	See Maintenance section.
Mower cut is rough looking.	Engine speed too slow.	Set engine speed control to FAST.
	Ground speed too fast.	Decrease ground speed.
Engine stalls easily with mower engaged.	Engine speed too slow.	Set engine speed control to FAST.
	Ground speed too fast.	Decrease ground speed.
	Cutting height set too low.	Cut tall grass at maximum cutting height during first pass.

Power Ratings

The gross power rating for individual gasoline engine models is labeled in accordance with SAE (Society of Automotive Engineers) code J1940 Small Engine Power & Torque Rating Procedure, and is rated in accordance with SAE J1995. Torque values are derived at 2600 RPM for those engines with "rpm" called out on the label and 3060 RPM for all others; horsepower values are derived at 3600 RPM. The gross power curves can be viewed at www.BRIGGSandSTRATTON.COM. Net power values are taken with exhaust and air cleaner installed whereas gross power values are collected without these attachments. Actual gross engine power will be higher than net engine power and is affected by, among other things, ambient operating conditions and engine-to-engine variability. Given the wide array of products on which engines are placed, the gasoline engine

PROBLEM	LOOK FOR	REMEDY
	Discharge chute jamming with cut grass.	Cut grass with discharge pointing toward previously cut area.
Excessive mower vibration.	Blade mounting hardware is loose.	Tighten to 50-60 ft-lbs (68-81 Nm).

For all other issues, see authorized dealer.

Specifications

ENGINE

Briggs & Stratton

Intek™ Series	
Displacement	44.18 cu in. (724 cc)
Professional Series™	
Displacement	30.51 cu in. (500 cc)
Displacement	44.18 cu in. (724 cc)
All Engines	
Oil Capacity (500 cc)	48 oz (1,4 L)
Oil Capacity (724 cc)	64 oz (1,9 L)
Spark Plug Gap	0.030 in. (0,76 mm)
Spark Plug Torque	180 in-lbs (20 Nm)

CHASSIS

Fuel Tank Capacity	3 gal (11,4 L)
Inflation Pressure	
- Front Wheels	22 psi (1,52 bar)
- Rear Wheels	12 psi (0,83 bar)

TRANSMISSION

Type	Hydro-Gear® EZT® Hydro-Gear® ZT-2800®
------	--

MOWER

Width of Cut	36" (91 cm)
	42" (107 cm)
	44" (112 cm)
	46" (117 cm)
	48" (122 cm)
Cutting Height	52" (132 cm)
	1.5" - 3.75" (3,8 - 9,5 cm)
	1.5" - 4.5" (3,8 - 11,7 cm)

may not develop the rated gross power when used in a given piece of power equipment. This difference is due to a variety of factors including, but not limited to, the variety of engine components (air cleaner, exhaust, charging, cooling, carburetor, fuel pump, etc.), application limitations, ambient operating conditions (temperature, humidity, altitude), and engine-to-engine variability. Due to manufacturing and capacity limitations, Briggs & Stratton may substitute an engine of higher rated power for this engine.

Note: The engine information contained in this manual applies to Briggs & Stratton engines only. For information regarding non-Briggs engines, refer to the engine manual supplied with your unit.

Parts And Accessories

See an Authorized Service Dealer.

Not for
Reproduction

Índice de contenidos:

Información general.....	23
Seguridad del operador.....	23
Características y controles.....	26
Operación.....	27
Mantenimiento.....	35
Resolución de problemas.....	43
Especificaciones.....	44

Información general

Para obtener información adicional, consulte la *Guía de contactos del cliente* que se incluye con la unidad.

Las ilustraciones que aparecen en este documento son representativas. Su unidad podría verse diferente de las imágenes que se muestran. *IZQUIERDA* y *DERECHA* se usan como referencia desde la posición del operador.

El empleo de las palabras “Importante” y “Nota” en el texto indica aclaraciones, excepciones o alternativas a los procedimientos.

Todas las traducciones de este documento se derivan del archivo original en inglés.



Todos los envases, el aceite usado y las baterías deben reciclarse de acuerdo con las regulaciones gubernamentales aplicables.



ADVERTENCIA

Este producto puede exponerlo a sustancias químicas entre las que se incluyen emisiones de escape de motor de gasolina, reconocidas por el Estado de California como causantes de cáncer; y monóxido de carbono, reconocido por el Estado de California como causante de defectos de nacimiento u otros problemas reproductivos. Para obtener más información, visite www.P65Warnings.ca.gov.

Seguridad del operador

Guarde estas instrucciones para futuras referencias. Este manual contiene información sobre seguridad para hacer que tome conciencia de los peligros y riesgos asociados con el producto y cómo evitarlos. También contiene instrucciones importantes que deben seguirse durante la configuración inicial, el funcionamiento y el mantenimiento del producto.

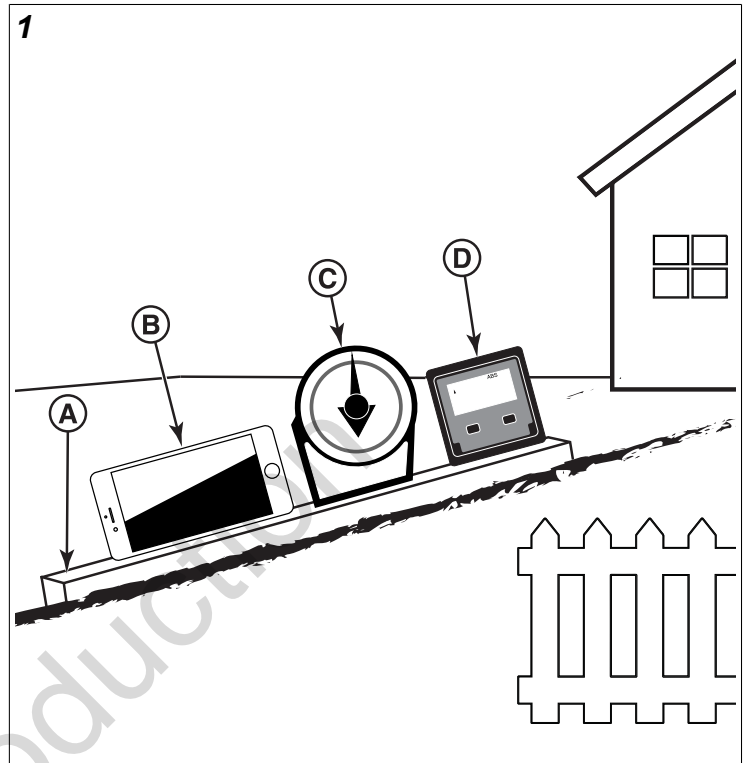
Este producto está diseñado y destinado al corte de césped con buen mantenimiento y no está diseñado para otros propósitos.

Es importante que lea y comprenda estas instrucciones antes de intentar arrancar u operar este equipo.

Asegúrese de estar completamente familiarizado con los controles y el uso correcto del producto.

Aprenda cómo detener la unidad y desactivar los controles rápidamente.

Guía de identificación de pendientes



Cómo medir la pendiente de una superficie del césped con un teléfono inteligente o una herramienta de medición de ángulos:



ADVERTENCIA

No opere la máquina en pendientes de más de 10 grados.









1. Use un borde recto de al menos dos (2) pies de largo (A, Figura 1). Una pieza de metal recta de 2 x 4 pies funciona bien.
2. Herramientas de medición de ángulos.
 - a. **Use su teléfono inteligente:** muchos teléfonos inteligentes (B, Figura 1) tienen un inclinómetro (buscador de ángulo) ubicado debajo de la aplicación de brújula (aplicación). O busque en una tienda de aplicaciones una aplicación de inclinómetro.
 - b. **Utilice las herramientas del buscador de ángulo:** las herramientas del buscador de ángulos (C y D, figura 1) están disponibles en las ferreterías locales o en línea (también llamadas inclinómetro, transportador, medidor de ángulo o calibrador de ángulo). Aquellas con dial (C) o digitales (D) funcionan, otras pueden no funcionar. Lea y siga

las instrucciones de la herramienta de medición de ángulos.

- Coloque el borde recto de dos (2) pies a lo largo de la parte más empinada de la pendiente del césped. Coloque la placa hacia arriba y hacia abajo de la pendiente.
- Coloque el teléfono inteligente o la herramienta de medición de ángulos en el borde recto y lea el ángulo en grados. Esta es la pendiente de su césped.


Nota: Se incluye una guía de identificación de pendientes con calibradores de papel en el paquete de la documentación del producto y también se puede descargar desde el sitio web del fabricante.

Símbolos de seguridad y significados

Símbolo	Significado
	Información de seguridad sobre los riesgos que pueden provocar lesiones físicas.
	Lea y entienda el Manual del operador antes de operar o reparar la unidad.
	Retire la llave y lea el Manual del operador antes de reparar la unidad.
	Pare
	Peligro de incendio
	Peligro de explosión
	Peligro de descarga eléctrica
	Peligro de vapores tóxicos

Símbolo	Significado
	Piezas móviles
	Llevar puesta la protección para los ojos.
	Sustancia química peligrosa
	Peligro de superficie caliente
	Peligro de amputación
	Peligro de objetos arrojados
	Mantenga una distancia segura
	Mantenga a los niños alejados
	Peligro de vuelco
	Peligro de amputación

Símbolo de alerta de seguridad y palabras de señalización

El símbolo de alerta de seguridad  identifica información de seguridad sobre peligros que pueden provocar lesiones personales. Se usa una palabra de señalización (**PELIGRO**, **ADVERTENCIA** o **PRECAUCIÓN**) junto con el símbolo de alerta para indicar la probabilidad y la gravedad

potencial de las lesiones. Además, se puede usar un símbolo de peligro para representar el tipo de riesgo.

! **PELIGRO** indica un peligro que, si no se evita, **provocará** la muerte o lesiones graves.

! **ADVERTENCIA** indica un peligro que, si no se evita, **podría** ocasionar la muerte o lesiones graves.

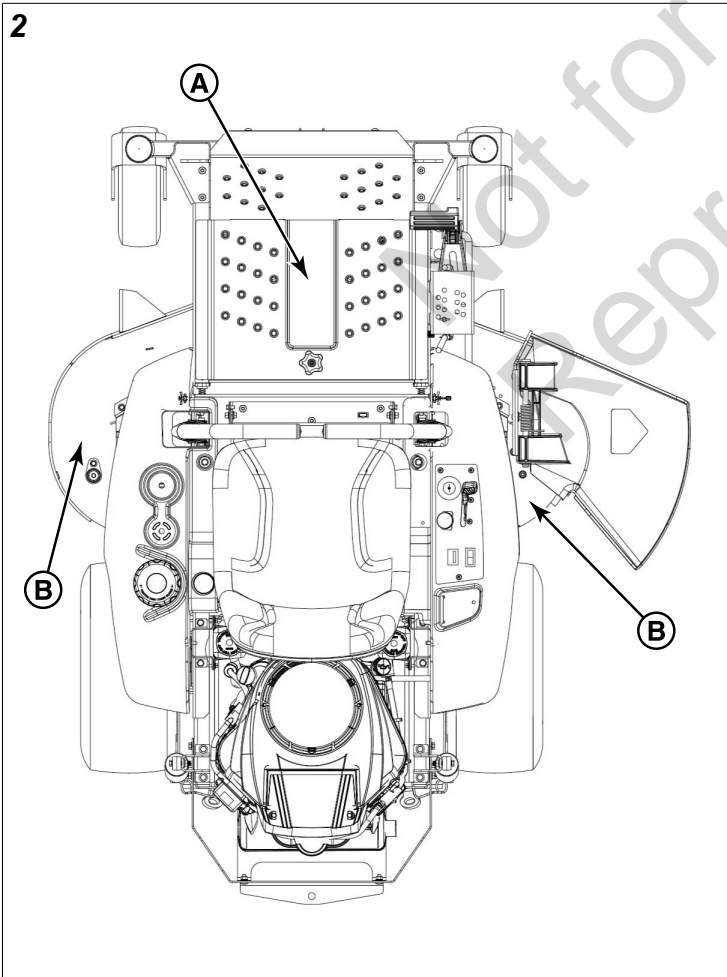
! **PRECAUCIÓN** indica un peligro que, si no se evita, **podría** ocasionar lesiones menores o moderadas.

AVISO indica información que se considera importante pero que no está relacionada con un peligro.

Calcomanías de seguridad

Antes de operar su unidad, lea y comprenda las siguientes calcomanías de seguridad. Compare la figura 2 con la tabla a continuación. Las advertencias y precauciones son para su seguridad. Para evitar lesiones físicas o daños en la máquina, lea atentamente y siga todas las indicadores de las calcomanías de seguridad.

Importante: Si alguno de los indicadores de seguridad se daña o se gasta y no se puede leer, ordene indicadores de reemplazo a su distribuidor local.



<p>A</p>	<p>Calcomanía, Seguridad principal</p> <p>N.º de pieza 5106564</p>	<p>! DANGER</p> <p>Amputation hazard Rotating blades cut off arms and legs. • Stop the mower when children or others are near. • Do not carry riders (especially children) even with the blades off. They may fall off or return for another ride when you are not expecting it. • Look down, behind and to the side before changing directions.</p> <p>Loss of control and roll-over hazard Operating on slopes can be hazardous and cause loss of control and roll-overs. • Do not operate on slopes over 10 degrees. • Avoid sudden turns or rapid speed changes. • Reduce speed and use extreme caution on slopes. • Avoid turning down slopes; if possible turn up slopes. • If machine stops forward motion on a slope, stop the blades and drive slowly off the slope.</p> <p>Water, retaining walls and drop-off hazards Wheels dropping over edges may result in serious injury, death or drowning. • Do NOT operate down slope towards or near water, retaining walls or drop-offs. • Give yourself a minimum of two mower widths of clearance around these hazards.</p> <p>! WARNING</p> <p>Fire hazard Gasoline is flammable. Yard debris is combustible. • Allow engine to cool for at least 3 minutes before refueling. • Keep unit cleaned of debris. • This equipment may create sparks that can start fires around dry vegetation. A spark arrester may be required. Contact local fire agencies for regulations relating to fire prevention requirements.</p> <p>Avoid serious injury or death Read the operator's manual before using this product. • Do NOT operate this machine unless you are trained. • Know the location and function of all controls. • Keep safety devices (guards, shields, switches, etc.) in place and working. • Remove objects that could be thrown by the blade. • Be sure blades and engine are stopped before placing hands or feet near blades. • When leaving machine, shut off, remove key, and set parking brake.</p>
<p>B</p>	<p>Calcomanía, Peligro, Objetos arrojados</p> <p>N.º de pieza 7101665</p>	<p>! DANGER</p> <p>Amputation and thrown objects hazard</p> <ul style="list-style-type: none"> • Keep hands and feet away from deck. • Do not operate mower unless discharge chute or entire grass catcher is in its proper place.

Mensajes de seguridad



ADVERTENCIA

Lea, comprenda y obedezca todas las instrucciones y advertencias en el Manual del operador y en la máquina, el motor y los aditamentos antes de operarla. El incumplimiento de las instrucciones de seguridad incluidas en este manual y en el equipo podría ocasionar la muerte o lesiones graves.

- Solo permita que operadores responsables, capacitados, familiarizados con las instrucciones y físicamente aptos operen la máquina.
- No opere la unidad si está bajo los efectos del alcohol o las drogas.
- Use gafas de seguridad y calzado cerrado.
- No coloque las manos o los pies cerca de piezas giratorias o debajo de la máquina. Manténgase lejos de la abertura de descarga en todo momento.
- Mantenga la máquina en buenas condiciones de funcionamiento. Cambie las piezas desgastadas o dañadas.
- Tenga cuidado cuando repare las cuchillas. Envuelva las cuchillas o use guantes. Reemplace las cuchillas dañadas. No repare ni altere las cuchillas.
- Use rampas de ancho completo cuando cargue y descargue una máquina para el transporte.
- Ver el aditamento o accesorio para conocer los pesos o contrapesos adecuados de las ruedas.
- Para ayudar a prevenir incendios, mantenga la máquina libre de hierba, hojas u otro material no deseado. Limpie el aceite restante o los derrames de combustible. Retire los residuos empapados de combustible y deje que la máquina se enfríe antes de su almacenamiento.



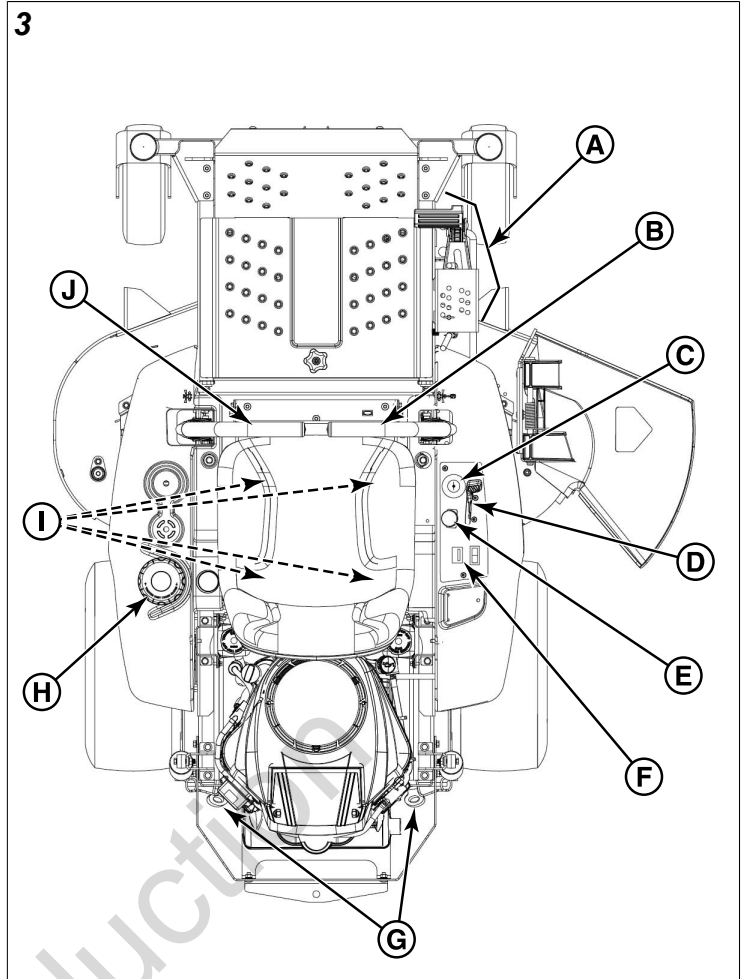
ADVERTENCIA

Los motores emiten monóxido de carbono, un gas venenoso, incoloro e inodoro. La inhalación de monóxido de carbono puede provocar dolor de cabeza, fatiga, mareos, vómitos, confusión, convulsiones, náuseas, desmayos o incluso la muerte.











- Opere el equipo ÚNICAMENTE al aire libre.
- Evite que los gases de escape entren en un espacio cerrado a través de las ventanas, puertas, tomas de aire de ventilación u otras aberturas.

Características y controles

Compare las funciones y controles en la Figura 3 con la tabla a continuación.



Ref.	Descripción / Función	Ícono(s)	Definición / Operación
A	Pedal de elevación de la cubierta, pasador de ajuste de altura de corte y palanca de bloqueo de elevación de la cubierta - Ajusta la altura de corte		Ver Ajuste de altura de corte
B	Palanca de velocidad de desplazamiento hacia la derecha: controla la velocidad y la dirección de la rueda de transmisión derecha; también activa el freno de estacionamiento		Aumento de velocidad de desplazamiento hacia adelante: empujar la palanca hacia adelante
			Neutro: soltar la palanca
			Arranque del motor: mover la palanca hacia afuera
			Aumento de velocidad de desplazamiento en retroceso: jalar la palanca hacia atrás
C	Interruptor de ignición: arranca el motor		Motor apagado
			Motor encendido (marcha)

			Arranque del motor
D	Control de velocidad del motor: controla la velocidad del motor		Estrangulador encendido (cerrado): solo motores Briggs
			Velocidad del motor rápida
			Velocidad del motor lenta
E	Interruptor de toma de fuerza: activa y desactiva el embrague de las cuchillas del cortacésped		Activación de toma de fuerza: levante el interruptor
F	Contador horario		Indica las horas totales de operación del motor
G	Palancas de liberación de la transmisión: libere las transmisiones de modo que la unidad pueda moverse libremente		Ver Empujar la unidad con la mano
H	Tapa y tanque de combustible		Gire la tapa en el sentido antihorario para retirarla
I	Ajuste de asiento del operador		Ver Ajustes del asiento
J	Palanca izquierda de velocidad de desplazamiento: controla la velocidad y dirección de la rueda de transmisión izquierda		Aumento de velocidad de desplazamiento hacia adelante: empujar la palanca hacia adelante Neutro: soltar la palanca Arranque del motor: mover la palanca hacia afuera Aumento de velocidad de desplazamiento en retroceso: jalar la palanca hacia atrás

- Mueva la cortacésped tipo tractor, antes de encender el motor.



Los motores emiten monóxido de carbono, un gas venenoso, incoloro e inodoro. Respirar monóxido de carbono puede causar náuseas, desmayos, o incluso la muerte.

- Tenga en cuenta todas las pendientes y puntos de descenso.



El funcionamiento en pendientes, cerca del agua o puntos de descenso puede causar pérdida del control y vuelco.

- Evite realizar giros cuando se conduce pendiente abajo; si es posible gire cuesta arriba.
- Disminuya la velocidad y tenga cuidado en las pendientes.
- No opere la unidad sobre pendientes de más de 10 grados, lo que equivale a 3,5 pies de elevación por 20 pies de longitud.
- No opere bajando pendientes hacia o cerca del agua, muros de contención o puntos de descenso.
- Manténgase a una distancia mínima equivalente al ancho de dos cortacésped del agua, paredes de retención o puntos de descenso.
- No corte el césped cuando esté húmedo.
- No opere la máquina en ninguna condición en donde dude de la tracción, la dirección o la estabilidad. Los neumáticos podrían deslizarse incluso si se detienen las ruedas.
- No arranque ni se detenga en pendientes.
- No haga cambios repentinos en la velocidad o en la dirección.
- Realice los giros de forma lenta y gradual.
- Sea cuidadoso al operar la máquina con un recogedor de césped u otros aditamentos. Pueden afectar la estabilidad de la máquina.
- Obedezca las instrucciones del fabricante en cuanto a los límites de peso para equipos remolcados y remolque en pendientes. Consulte *Equipos remolcados*.

- Asegúrese de que el área de operación esté libre de espectadores, especialmente los niños.

Operación

Área de funcionamiento

- Conozca el área donde planea operar la cortacésped.
- Asegúrese de que el área esté libre de residuos u objetos que pudieran ser levantados por las cuchillas y arrojados.



Esta máquina puede arrojar objetos que podrían lesionar a los transeúntes o causar daños a instalaciones.

- No opere la máquina sin que la totalidad del recogedor de césped, el conducto de descarga u otros dispositivos de seguridad estén colocados y funcionando de manera apropiada. Verifique con frecuencia en busca de signos de desgaste o deterioro, y realice reemplazos según sea necesario.
- Elimine del área de funcionamiento cualquier objeto que pudiera ser arrojado u ocasionar interferencia en el funcionamiento de la máquina.



PELIGRO



Esta cortacésped tipo tractor es capaz de amputar manos y pies.

- Detenga la cortacésped cuando haya niños u otras personas cerca.
- Mantenga a los niños fuera del área de funcionamiento y bajo la supervisión de un adulto.
- Nunca lleve pasajeros, especialmente niños, incluso con las cuchillas detenidas. Pueden caerse y resultar heridos de gravedad o interferir con la operación segura de la máquina. Los niños que han montado en una podadora en el pasado pueden aparecer repentinamente en la zona en la que está cortando el césped para que los lleve y pueden caerse o ser atropellados por la máquina.
- Tenga cuidado al acercarse a esquinas ciegas, arbustos, árboles u otros objetos que puedan bloquear la visión.

Verificaciones del sistema de interbloqueo de seguridad



PELIGRO

NO opere la máquina si cualquier bloqueo de seguridad o dispositivo de seguridad no se encuentra en su lugar y funcionando correctamente. Contacte a su distribuidor de inmediato si necesita ayuda. NO intente anular, modificar o quitar ningún dispositivo de seguridad.

PRUEBA 1: El motor no debe arrancar si:

- el interruptor de toma de fuerza está activado, O
- las palancas de velocidad de desplazamiento no están fijadas en la posición ENCENDIDO/ESTACIONAR.

PRUEBA 2: El motor debe arrancar si:

- el interruptor de toma de fuerza NO está conectado, Y
- las palancas de velocidad de desplazamiento están fijadas en la posición ENCENDIDO/ESTACIONAR.

PRUEBA 3 - El motor debe apagarse si:

- el operador se levanta del asiento con la toma de fuerza activada; O
- el operador se levanta del asiento con las palancas de velocidad de desplazamiento no fijadas en su posición ENCENDIDO/ESTACIONAR.

PRUEBA 4: Verifique el tiempo de detención de la cuchilla del cortacésped

Las cuchillas y la correa de transmisión del cortacésped deben detenerse por completo dentro de los cinco segundos siguientes al apagado del interruptor de la toma de fuerza. Si la correa de transmisión del cortacésped no se detiene dentro de cinco segundos, consulte con el distribuidor.

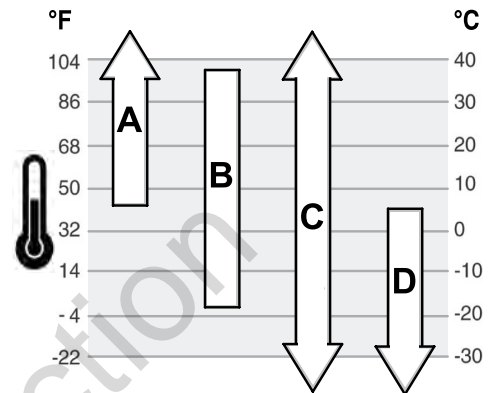
Nota: Una vez que el motor se ha detenido, debe apagarse el interruptor de toma de fuerza y se deben fijar las palancas de velocidad de desplazamiento en la posición ENCENDIDO/ESTACIONAR para arrancar el motor.

Recomendaciones sobre el aceite

Capacidad de aceite: consulte la sección **Especificaciones**.

Recomendamos el uso de aceites Briggs & Stratton® con garantía certificada para un mejor rendimiento. Otros aceites detergentes de alta calidad son aceptables si están clasificados para servicio SF, SG, SH, SJ o superior. No use aditivos especiales.

Las temperaturas exteriores determinarán la viscosidad adecuada del aceite para el motor. Use la tabla para seleccionar la mejor viscosidad para el margen de temperatura exterior que se espera.



A	SAE 30: El uso de SAE 30 a temperaturas inferiores a 40 °F (4 °C) provocará dificultades de arranque.
B	10W-30: El uso de 10W-30 a temperaturas mayores a 80 °F (27 °C) puede provocar un aumento en el consumo de aceite. Revise el nivel de aceite con mayor frecuencia.
C	5W-30 sintético
D	5W-30

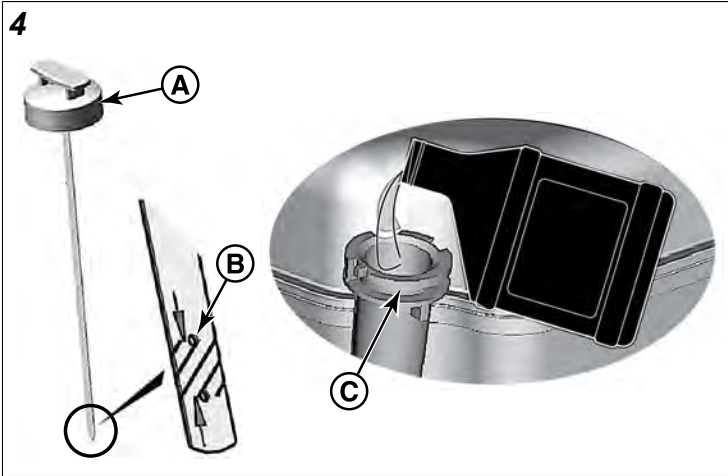
Comprobación del nivel de aceite

Consulte la figura: 4

Antes de aprovisionar con aceite o de comprobar el nivel de aceite

- Asegúrese de que el motor esté nivelado.
- Limpie todos los desechos del área de llenado de aceite.

1. Retire la varilla indicadora de nivel de aceite (A, Figura 4) y limpie con un paño limpio.



4. Instale y ajuste la varilla indicadora de nivel de aceite (Figura A 4).
3. Retire la varilla y revise el nivel de aceite. El nivel de aceite debe estar en la parte superior del indicador de lleno (B, Figura 4) de la varilla indicadora de nivel de aceite.
4. Si el nivel es bajo, agregue aceite lentamente en el llenado de aceite del motor (C, Figura 4). **No llene en exceso.** Después de añadir aceite, espere un minuto y vuelva a comprobar el nivel de aceite.

Nota: No agregue aceite en el drenaje rápido de aceite, si está equipado. Para conocer la ubicación, consulte **Características y controles.**

5. Vuelva a instalar y ajuste la varilla (A, Figura 4).

Presión de aceite

Si la presión de aceite es demasiado baja, un interruptor de presión (si está equipado) detendrá el motor o activará un dispositivo de advertencia en el equipo. Si esto ocurre, detenga el motor y revise el nivel de aceite con la varilla.

Si el nivel de aceite está bajo la marca AGREGAR, agregue aceite hasta que llegue a la marca LLENO. Arranque el motor y verifique la presión de aceite correcta antes de continuar operando la máquina.

Si el nivel de aceite está entre las marcas AGREGAR y LLENO, **NO arranque el motor.** Comuníquese con un distribuidor de servicio autorizado para que se corrija el problema de presión del aceite.

Recomendaciones acerca del combustible

El combustible debe cumplir con estos requisitos:

- Gasolina limpia, fresca y sin plomo.
- Un mínimo de 87 octanos u 87 AKI (91 RON). Para uso en grandes alturas, consulte a continuación.
- Se acepta gasolina con hasta un 10 % de etanol (gasohol).

AVISO No utilice gasolinas no aprobadas, como la E15 y la E85. No mezcle la gasolina con aceite ni modifique el motor para usarlo con combustibles alternativos. El uso de combustibles no aprobados provocará daños en los componentes del motor, **lo que no está cubierto por la garantía.**

Para proteger el sistema de combustible de la formación de goma, mezcle el combustible con un estabilizador. Véase el **Manual del operador** para consultar las recomendaciones. No todos los combustibles son iguales. Si ocurren problemas de desempeño o en el arranque, cambie de proveedor de combustible o de marca. Este motor está certificado para funcionar con gasolina. El sistema de control de emisiones para este motor es EM (modificaciones del motor).

Gran altura

A altitudes superiores a los 5000 pies (1524 metros), es aceptable una gasolina con un mínimo de 85 octanos/85 AKI (89 RON).

Para motores carburados, se requiere realizar el ajuste de gran altura para mantener el rendimiento. El funcionamiento sin este ajuste genera una disminución del rendimiento, un aumento del consumo de combustible y un incremento en las emisiones. Comuníquese con un distribuidor de servicio autorizado de Briggs & Stratton para obtener información sobre el ajuste de gran altura. No se recomienda operar la máquina con el ajuste de gran altura a alturas menores a 2500 pies (762 metros).

Para motores de inyección de combustible electrónica (EFI), no es necesario realizar ningún ajuste de gran altura.

Cómo agregar combustible

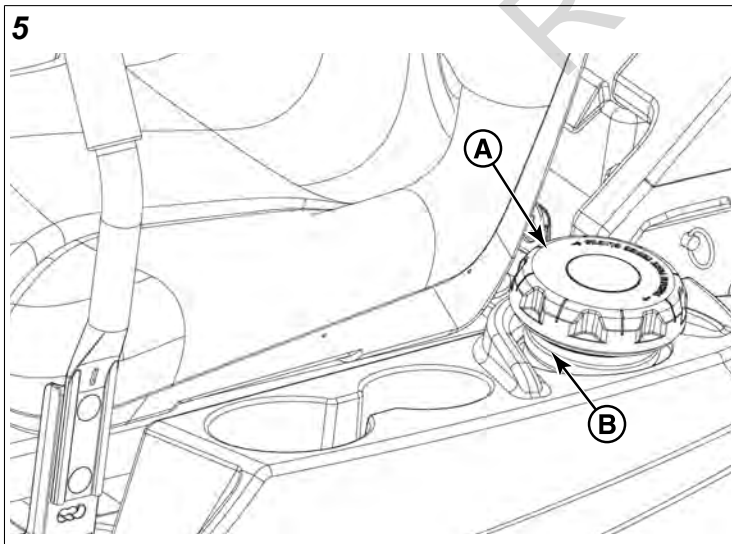


El combustible y sus vapores son extremadamente inflamables y explosivos.

El fuego o la explosión pueden causar quemaduras graves o la muerte.

Cuando agregue combustible

- Apague el motor y deje que se enfríe durante, al menos, 3 minutos antes de quitar la tapa del combustible.
 - Apague cigarrillos, puros, pipas y cualquier otra fuente de ignición.
 - Llene el tanque de combustible en exteriores o en un área bien ventilada.
 - No llene excesivamente el tanque de combustible. Para permitir la expansión del combustible, no llene el tanque por arriba de la parte inferior del cuello.
 - Mantenga el combustible alejado de chispas, llamas abiertas, llamas piloto, calor y otras fuentes de ignición.
 - Verifique con frecuencia las tuberías de combustible, el tanque, la tapa y los conectores, para constatar si presentan grietas o fugas. Reemplace las piezas, si es necesario.
 - Si se ha derramado combustible, espere que se evapore antes de arrancar el motor.
1. Limpie la suciedad y los desechos en el área de la tapa de llenado de combustible. Retire la tapa de llenado de combustible (A, Figura 5).
 2. Llene el tanque con combustible. Para permitir la expansión del combustible, no llene el tanque por arriba de la parte inferior del cuello (B).
 3. Vuelva a colocar la tapa del combustible.



Arranque del motor



- Si no comprende cómo funciona un control específico, o aún no leyó detenidamente la sección *Características y controles* hágalo ahora.
- NO intente hacer funcionar el tractor sin familiarizarse antes con la ubicación y funcionamiento de todos los controles.

1. Mientras permanezca sentado en el asiento del operador, asegúrese de que el interruptor de PTO está desconectado y que las palancas de velocidad de desplazamiento están bloqueadas en la posición ENCENDIDO/ESTACIONAR.

Note: El freno de estacionamiento se activa automáticamente cuando las palancas de velocidad de desplazamiento están fijadas en la posición ENCENDIDO/ESTACIONAR.

2. Ajuste el control de velocidad del motor más allá de la posición RÁPIDO en la posición ESTRANGULADOR.

Note: Un motor caliente no necesita el uso del estrangulador.

Note: Algunos motores están equipados con un control de estrangulador separado.

Note: Algunos motores están equipados con una característica ReadyStart® y no posee un estrangulador.

3. Inserte la llave en el interruptor de ignición y gírela hasta ARRANCAR.
4. Después de que arranque el motor, apague el estrangulador (si está equipado) y haga funcionar el motor al menos durante un minuto para calentarlo antes de activar el interruptor de PTO o conducir el tractor.
5. Una vez que el motor se haya calentado, siempre opere la unidad a máxima velocidad del motor mientras poda.

Para detener el motor en caso de emergencia, simplemente gire el interruptor de ignición a la posición DETENER. Use este método solo en situaciones de emergencia. Para el apagado normal del motor siga el procedimiento dado en *Detención del tractor y el motor*.

Detención de la podadora

1. Devuelva las palancas de velocidad de desplazamiento a la posición del medio (o *Neutro "N"*) para detener el movimiento del tractor. Gire las palancas hacia afuera para bloquearlas en la posición ENCENDIDO/ESTACIONAR.

Note: Mover las palancas de velocidad de desplazamiento a la posición ENCENDIDO/ESTACIONAR activa automáticamente el freno de estacionamiento.

2. Empuje el interruptor de PTO hacia abajo para desactivarlo.

3. Mueva el control de velocidad del motor hasta la posición LENTO y gire la llave de ignición hasta la posición APAGADO. Retire la llave.

Conducción

Práctica de conducción con radio de giro cero

Antes de intentar conducir la podadora autopropulsado con radio de giro cero asegúrese de haber leído la **Características y controles** sección y comprendido la ubicación y función de todos los controles de la unidad.

Las palancas de control de velocidad de desplazamiento de esta podadora autopropulsado de radio de giro cero son sensibles y aprender a controlar con suavidad y de manera eficiente los movimientos hacia delante, marcha atrás y los de giro requiere cierta práctica.

Pasar algo de tiempo con las maniobras mostradas y familiarizarse con cómo acelera, se traslada y gira la unidad, **antes de que comience a podar**, es absolutamente esencial para sacar el máximo provecho de la podadora autopropulsado con radio de giro cero.

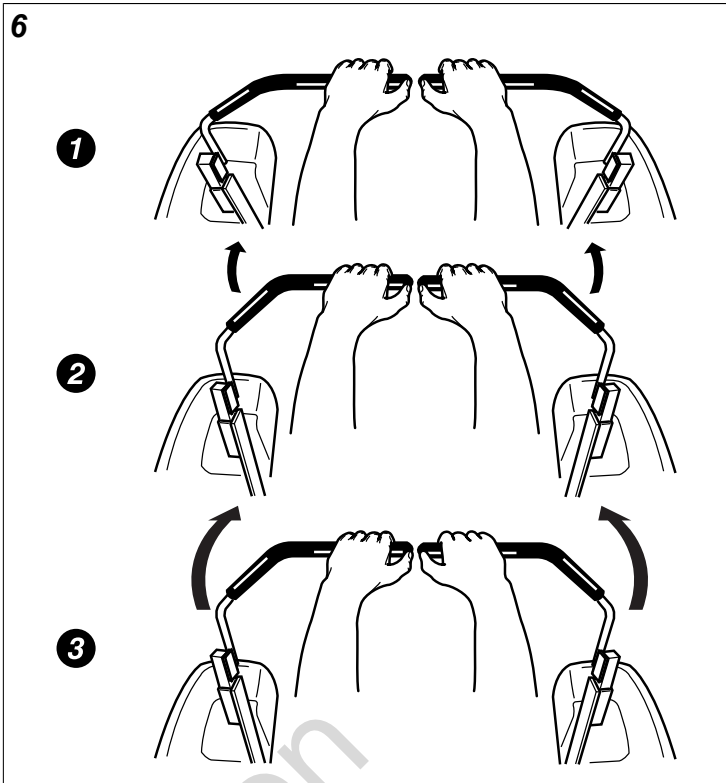
Encuentre un área uniforme y plana de su césped, una con mucho espacio para maniobrar. Retire objetos, personas y animales del área antes de comenzar. Haga funcionar la unidad a velocidad media durante esta sesión de práctica (SIEMPRE deberá operar a velocidad máxima cuando puede), y realice giros lentos para evitar que los neumáticos se deslicen y dañen el césped.

Sugerimos que comience con el **procedimiento Desplazamiento suave**, y luego avance hacia las maniobras de avanzar, retroceder y girar.

Desplazamiento suave

Los controles de palanca de la cortacésped con giro cero son sensibles.

El MEJOR método para manejar las palancas de control de velocidad de desplazamiento es seguir los tres pasos que se muestran en la Figura 6.

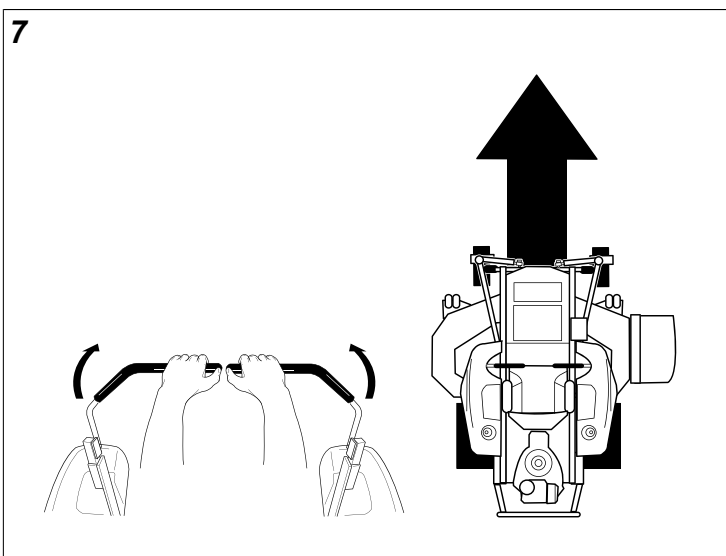


PRIMERO, coloque las manos en las palancas, tal como se muestra.

SEGUNDO, para avanzar, empuje gradualmente las palancas hacia adelante con las palmas.

TERCERO, para acelerar, mueva las palancas más adelante. Para detenerse suavemente, mueva las palancas lentamente hacia la posición neutra.

Técnicas básicas de conducción Práctica de desplazamiento hacia delante

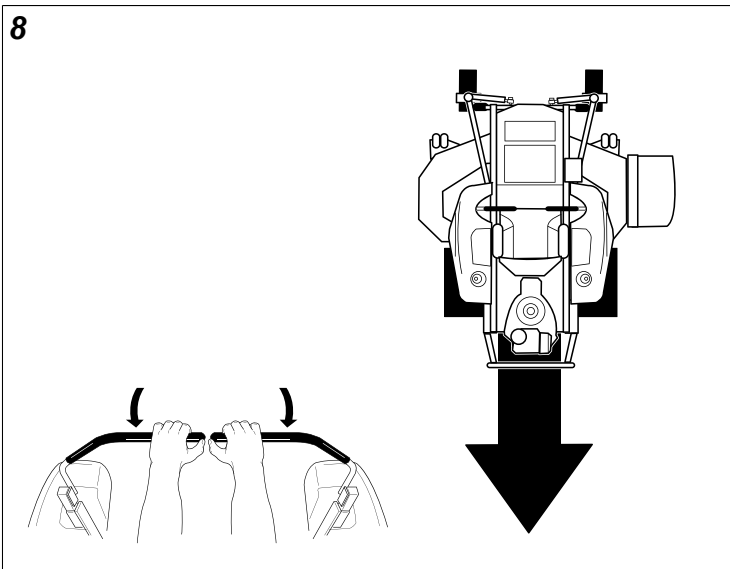


Mueva gradualmente ambas palancas de control de velocidad de desplazamiento HACIA DELANTE desde la posición neutra. Disminuya la velocidad y repita.

NOTA: Debe practicar para desplazarse hacia adelante de manera recta. Si es necesario, se puede ajustar el equilibrio

de la velocidad máxima; consulte Ajuste de equilibrio de velocidad en la sección Ajustes cerca de la parte posterior de este manual.

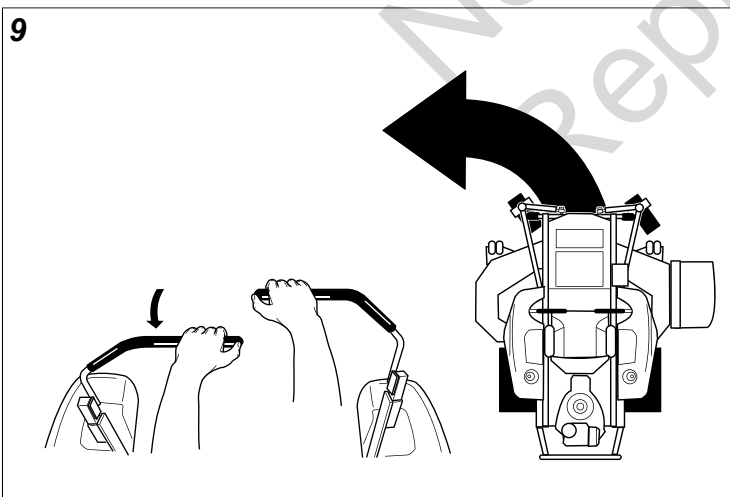
Práctica de desplazamiento marcha atrás



MIRE HACIA ATRÁS y HACIA ABAJO; luego mueva gradualmente ambas palancas de control de velocidad de desplazamiento HACIA ATRÁS desde la posición neutra. Disminuya la velocidad y repita.

NOTA: Practique la marcha atrás durante varios minutos antes de intentar realizarla cerca de objetos. El tractor gira bruscamente tanto cuando opera marcha atrás como cuando es conducido hacia delante, y avanzar marcha atrás requiere cierta práctica.

Práctica de giro en una esquina

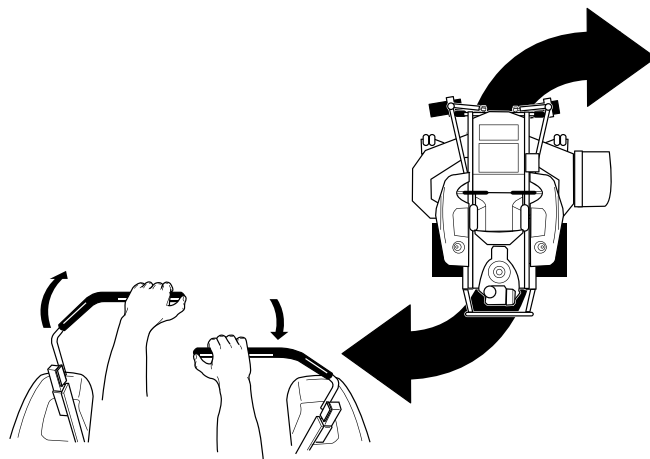


Mientras se desplaza hacia delante, deje que una manija regrese gradualmente hacia la posición neutra. Repita varias veces.

NOTA: para evitar girar directamente sobre la banda de rodamiento, es mejor permitir que ambas ruedas avancen como mínimo un poco hacia delante.

Práctica de giro en el lugar

10



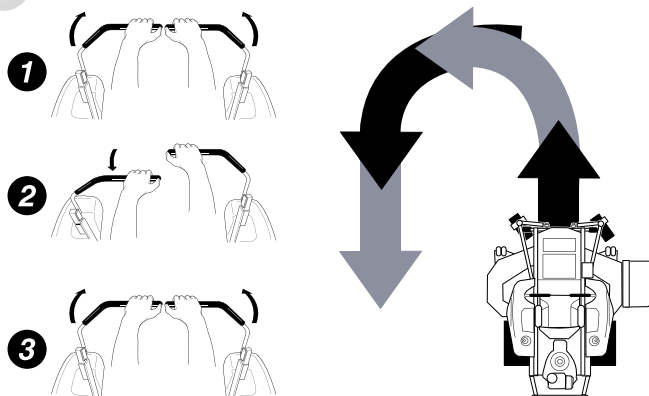
Para girar en el lugar (radio de giro cero), mueva gradualmente una palanca de control de velocidad de desplazamiento desde la posición neutra hacia delante y la otra palanca hacia atrás, todo ello simultáneamente. Repita varias veces.

NOTA: Cambiar la presión ejercida sobre cada palanca (hacia adelante o hacia atrás) cambia el "punto de giro".

Conducción avanzada

Ejecución de un giro al final de la franja con la unidad de radio de giro cero

11



La exclusiva capacidad del cortacésped de radio de giro cero de girar en su lugar le permite girar al final de una franja de corte sin tener que detenerse y hacer un giro en Y antes de seguir con una nueva franja.

Por ejemplo, para ejecutar un giro en el lugar a la izquierda del final de la franja:

1. Reduzca la velocidad al final de la franja.
2. Mueva la palanca de control DERECHA de velocidad de desplazamiento hacia delante ligeramente, al tiempo que mueve la palanca de control IZQUIERDA de velocidad de desplazamiento de vuelta hacia la posición central y luego ligeramente hacia atrás, más allá del punto central.

3. Vuelva a cortar el césped hacia delante.

Esta técnica hace girar el cortacésped hacia la IZQUIERDA y solapa levemente la franja que se acaba de cortar, lo que elimina la necesidad de hacer marcha atrás y volver a cortar el césped que no se cortó.

A medida que se familiarice y adquiera experiencia en el uso del cortacésped de radio de giro cero, aprenderá más maniobras y la operación de corte de césped será más fácil y agradable.

Recuerde: cuanto más practique, mejor control tendrá del cortacésped de radio de giro cero.

Poda

1. Asegúrese de que el interruptor de PTO está desconectado, que las palancas de control de velocidad de desplazamiento están fijas en la posición ENCENDIDO/ESTACIONAR y que el operador se encuentra en el asiento.
2. Arranque el motor. Ver **Arranque del motor**.
3. Ajuste la altura de corte de la podadora. Ver **Ajuste de altura de corte**.
4. Ajuste el control de velocidad del motor en RÁPIDO.
5. Active la PTO. Para ello, tire del interruptor de PTO hacia arriba.
6. Gire las palancas de velocidad de desplazamiento desde la posición ENCENDIDO/ESTACIONAR a la posición neutra "N".
7. Comience a podar el césped. Ver **Seguridad del operador** para obtener más consejos sobre prácticas seguras de podar el césped.
8. Cuando termine, apague la PTO.
9. Detenga el motor. Ver **Detención del tractor y el motor**.

Cómo conectar un remolque

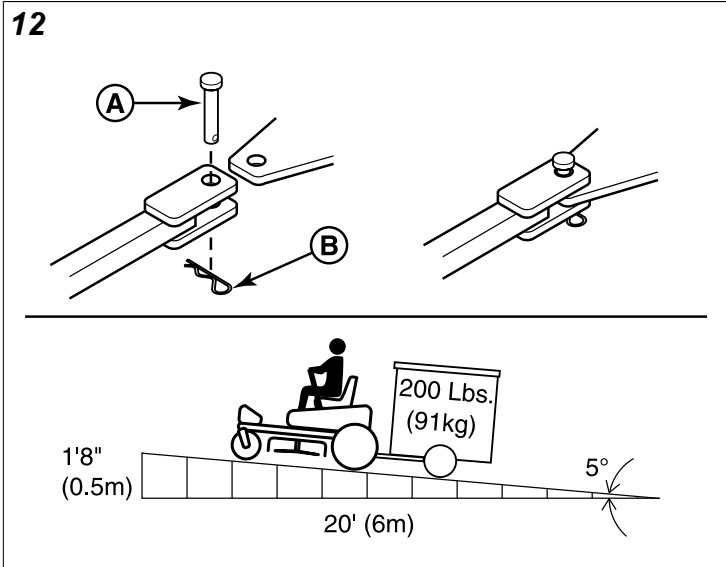
Sujete firmemente el remolque con un pasador de horquilla del tamaño apropiado (A, Figura 12) y el sujetador (B).

Ver **Seguridad del operador** para obtener información de seguridad adicional respecto a los remolques y remolcar.

ADVERTENCIA Peligro de remolque

Las cargas remolcadas pueden ser peligrosas y provocar la pérdida de control en las pendientes.

- El peso bruto máximo (remolque y carga) del remolque es de 91 kg (200 lb).
- No opere la máquina en pendientes de más de 5 grados.
- Reduzca la velocidad y tenga precaución extrema en las pendientes.



Ajuste de la altura de corte (Tipo pasador)

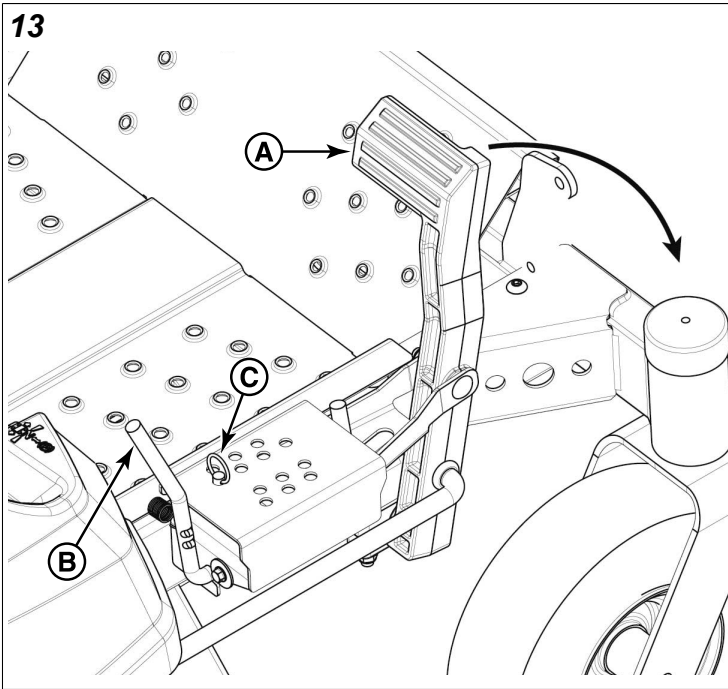
El pedal de ajuste de la altura de corte ajusta la altura de corte del cortacésped. Vea **Especificaciones** para el rango del ajuste de la altura de corte.

Para ajustar la altura de corte:

1. Pise a fondo el pedal de ajuste de la altura de corte (A, Figura 13) hasta que la varilla de liberación de transporte (B) asegure la cubierta en la posición más alta (posición de transporte).
2. Retire el pasador (C, Figura 13) del soporte de ajuste, e insértelo en el orificio deseado.

Nota: Asegúrese de que el pasador esté insertado en los orificios de las placas superior e inferior del soporte de ajuste.

3. Pise el pedal de ajuste de la altura de corte, mueva la varilla de liberación de transporte hacia afuera y suelte lentamente el pedal hasta que descansa contra el pasador.

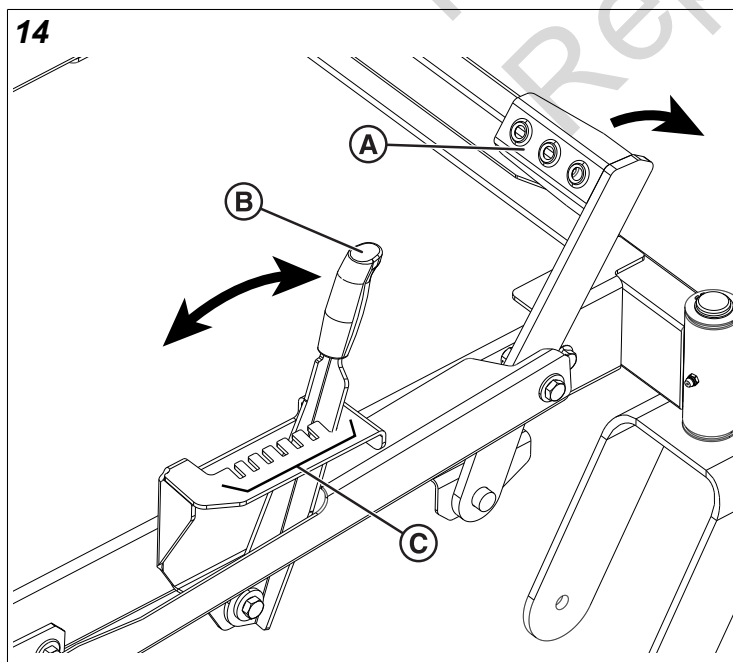


Ajuste de la altura de corte (Tipo ranura)

El pedal de ajuste de la altura de corte ajusta la altura de corte del cortacésped. Ver **Especificaciones** para el rango de ajuste de la altura de corte.

Para ajustar la altura de corte:

1. Pise a fondo el pedal de ajuste de la altura de corte (A, Figura 14).
2. Posicione la palanca de ajuste de la altura de corte (B, Figura 14) en la ranura de la altura de corte que se desee (C).
3. Suelte lentamente el pedal de ajuste de la altura de corte.



Lecho de carga (modelos seleccionados)

El lecho de carga está diseñado para transportar hasta 22,7 kg (50 lb). Las ranuras en la parte posterior del lecho admiten un madero de 2 x 4 o de 2 x 6 para ayudar a fijar las cargas durante el transporte.



ADVERTENCIA



Peligro de amputación

Las cuchillas giratorias pueden cortar los brazos y las piernas. Nunca lleve pasajeros (especialmente niños) incluso sin las cuchillas. Se pueden caer o pueden volver para otro paseo con usted cuando no lo espere.



ADVERTENCIA

Peligro de pérdida de control y vuelco

Operar la unidad con cargas en el lecho de carga de más de 22,7 kg (50 lb) puede ser peligroso y provocar pérdida de control y vuelcos.

El lecho de carga se puede levantar para acceder al compartimiento del motor sin retirarlo.

Para elevar el lecho de carga

1. Eleve el asiento (A, Figura 15).
2. Hale hacia arriba firmemente en la parte trasera del lecho (B, Figura 15).
3. Cuando baje el lecho, presione firmemente hacia abajo para fijar la parte posterior del lecho en su lugar con los sujetadores de bloqueo (D).

Para retirar el lecho de carga

1. Retire los pernos (C, Figura 15) y asegure la parte delantera del lecho a la estructura del conductor.
2. Hale hacia arriba firmemente en la parte trasera del lecho de carga para liberar los sujetadores de bloqueo (D, Figura 15).
3. Levante y desmonte el lecho de carga del conductor.



PRECAUCIÓN

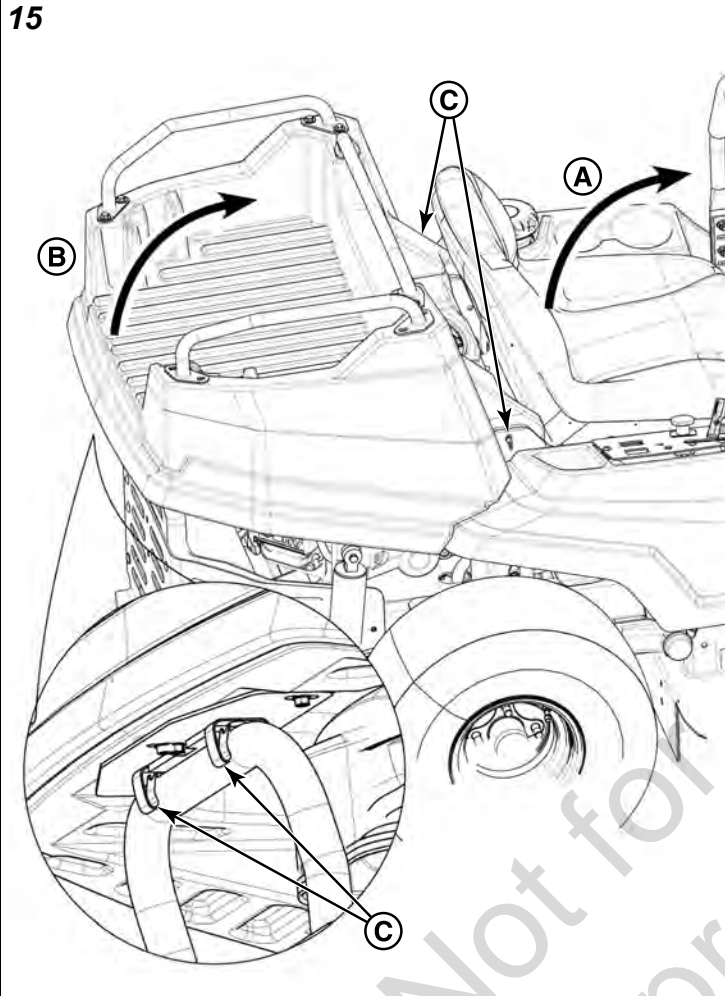
Para evitar lesiones, se necesita ayuda cuando se retire o se instale el lecho de carga.

Para instalar el lecho de carga

1. Colóquelo sobre el compartimiento del motor, y alinee los orificios de la parte delantera del lecho con los orificios en los soportes del armazón.
2. Instale los pernos (C, Figura 15) en los agujeros.
3. Baje la parte inferior del lecho, presionando firmemente hacia abajo para fijar con los sujetadores de bloqueo (D, Figura 15).

PRECAUCIÓN

Para evitar lesiones, se necesita ayuda cuando se retire o se instale el lecho de carga.



Ajuste de suspensión (si está equipado)

El ensamblaje de amortiguadores (A, Figura 16 - se muestran los delanteros, traseros similares) puede ajustarse para variar la cantidad de carga previa aplicada a los resortes. Esto permite que el operador personalice el desplazamiento de acuerdo con el peso del operador y las condiciones de operación.

Menos carga previa:

- Peso liviano del operador
- Desplazamiento más suave y amortiguado
- Mejor para terrenos relativamente planos

Más carga previa:

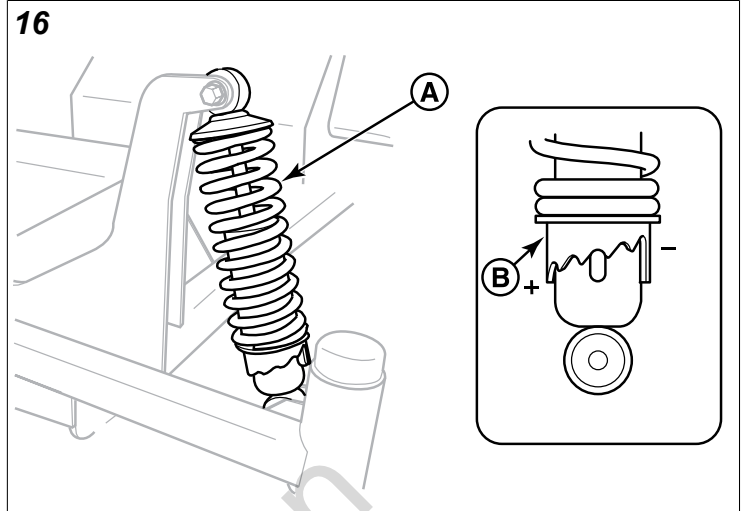
- Gran peso del operador
- Desplazamiento más rígido y duro
- Mejor manipulación y mayor estabilidad en terrenos empinados

Para ajustar la carga previa del resorte:

1. Estacione la máquina en una superficie plana y nivelada. Desactive la toma de fuerza, gire las palancas de

velocidad de desplazamiento a la posición ENCENDIDO/ ESTACIONAR y detenga el motor.

2. Gire el cuello de ajuste de carga previa (B, Figura 16) a una muesca más alta (-) para disminuir la carga previa, o a una muesca más baja (+) para incrementar la carga previa. Asegúrese de que todos los amortiguadores estén ajustados con la misma cantidad de carga previa.



Mantenimiento

Plan de mantenimiento



ADVERTENCIA

Cualquier chispa generada involuntariamente podría causar incendio o descarga eléctrica.

El arranque accidental puede provocar enredos, amputaciones traumáticas o laceraciones.

Antes de hacer ajustes o reparaciones:

- Desconecte el cable de la bujía y manténgalo lejos de la bujía.
- Desconecte la batería en el terminal negativo (solo motores con arranque eléctrico).
- Use solamente las herramientas correctas.
- No manipule el resorte del regulador, las conexiones u otras piezas para aumentar la velocidad del motor.
- Las piezas de repuesto deben ser del mismo diseño y deben ser instaladas en la misma posición que las piezas originales. Otras piezas pueden no funcionar igual de bien, pueden dañar la unidad, y pueden causar lesiones.
- No golpee el volante con un martillo o un objeto duro, ya que este puede romperse durante la operación.

TRACTOR Y CORTACÉSPED

Cada 8 horas o diariamente

Revise el sistema de interbloqueo de seguridad

Limpie los desechos del tractor y la cubierta del cortacésped

Limpie los desechos del compartimiento del motor

Cada 25 horas o anualmente*

TRACTOR Y CORTACÉSPED
Verificar el tiempo de detención de la cuchilla del cortacésped
Revise el tractor y la cortacésped en busca de piezas metálicas sueltas
Controle la presión de los neumáticos
Cada 50 horas o anualmente *
Verifique los frenos del tractor
Limpie la batería y los cables
Consulte con el distribuidor anualmente para que
Lubrique el tractor y la cortacésped
Revisar las cuchillas del cortacésped **

* Lo que ocurra primero

** Revise las cuchillas con mayor frecuencia en regiones con suelos arenosos o condiciones muy polvorientas.

MOTOR
Primeras 5 horas
Cambie el aceite del motor
Cada 8 horas o diariamente
Compruebe el nivel de aceite del motor
Cada 25 horas o anualmente *
Limpie el filtro de aire y el prefiltrador del motor **
Cada 50 horas o anualmente *
Cambie el aceite del motor
Cambie el filtro de aceite
Anualmente
Reemplace el filtro de aire
Reemplace el prefiltrador
Consulte con el distribuidor anualmente para que
Inspección del mofle y el atrapachispas
Reemplace la bujía
Reemplace el filtro de combustible
Limpie el sistema de enfriamiento de aire del motor

* Lo que ocurra primero

** Limpie con mayor frecuencia en condiciones polvorientas o cuando haya desechos transportados por aire.

Servicio de control de emisiones

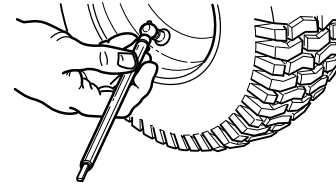
Cualquier establecimiento o individuo especializado en la reparación de motores que no sean de automoción puede encargarse del mantenimiento, la sustitución y la reparación de los dispositivos y sistemas de control de emisiones. Sin embargo, para recibir el servicio de control de emisiones "sin cargo", debe realizarlo un distribuidor autorizado por la fábrica. Ver Declaraciones de Control de Emisiones.

Revisión de la presión de los neumáticos

La presión de los neumáticos debe ser revisada periódicamente (ver Figura 17) y se debe mantener en los niveles que se muestran en la tabla de **Especificaciones**. Tenga en cuenta que estas presiones pueden diferir ligeramente del "inflado máximo" que está impreso en las

superficies laterales de los neumáticos. Las presiones mostradas brindan una tracción adecuada y una vida extendida del neumático.

17



Verificación del tiempo de detención de la cuchilla de la podadora

Las cuchillas y la correa de transmisión de la podadora deben detenerse por completo dentro de cinco segundos después de apagar el interruptor de PTO.



WARNING

Peligro de operación no segura

Si la cuchilla de la podadora no se detiene por completo dentro de los 5 segundos, se deberá ajustar la cuchilla. No opere la máquina hasta que un distribuidor autorizado haya ajustado el embrague apropiadamente.

Revise la cuchilla de la podadora para ver si funciona correctamente. Pruebas del sistema de interbloqueo de seguridad. La cuchilla debería dejar de girar en 5 segundos o menos después de colocar el control de la cuchilla en la posición APAGADO.

Mantenimiento de la batería



WARNING

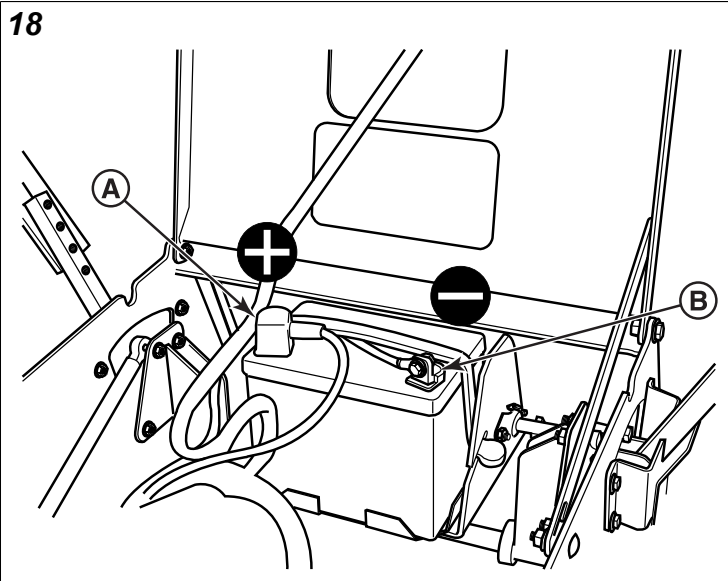


Peligro de incendio y explosión

Si va a quitar o instalar cables de la batería, desconecte PRIMERO el cable negativo y vuelva a conectarlo AL FINAL. Si no se sigue este orden, el terminal positivo puede provocar un cortocircuito con el armazón mediante una herramienta.

Limpieza de la batería y los cables

1. Desconecte los cables de la batería, comenzando por el cable negativo (B, Figura 18).
2. Limpie los terminales de la batería y los extremos de los cables con un cepillo de alambre hasta que brillen.
3. Reinstale la batería y vuelva a colocar los cables de la batería, primero el cable positivo (A, Figura 18).
4. Recubra los extremos del cable y los terminales de la batería con vaselina o grasa no conductora.
5. Asegúrese de volver a colocar la tapa de los terminales sobre el terminal positivo de la batería (A, Figura 18).



Carga de la batería



Peligro de incendio y explosión

Mantenga las llamas y las chispas lejos de la batería; los gases que emanan de ella son altamente explosivos. Ventile bien la batería cuando la esté cargando.

Una batería sin carga o demasiado débil para arrancar el motor puede deberse a un defecto en el sistema de carga o en otro componente eléctrico. Si existen dudas sobre la causa del problema, consulte a su distribuidor.

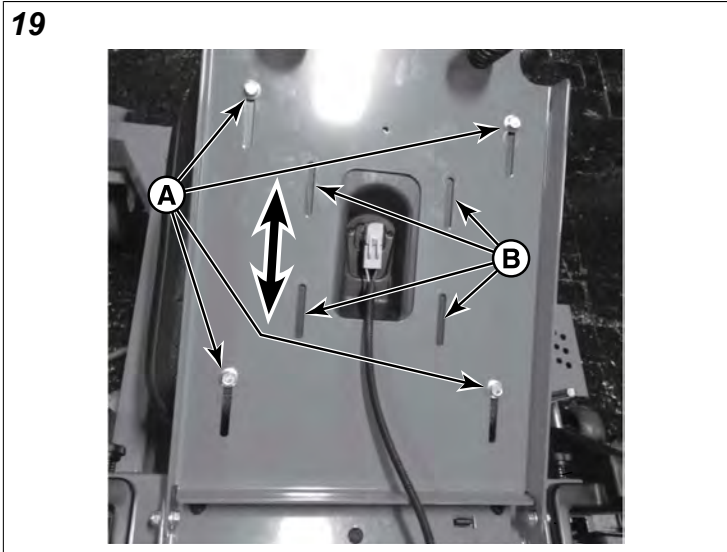
Para cargar la batería, siga las instrucciones que facilita el fabricante del cargador de la batería y también todas las advertencias que se incluyen en la sección **Seguridad del operador** contenida en este manual. Cargue completamente la batería. No la cargue a más de 10 A.

Ajustes de la palanca de velocidad de desplazamiento y del asiento

El asiento y las palancas de velocidad de desplazamiento se deben ajustar de modo que estas últimas puedan tener la amplitud de movimiento completo sin tener contacto con las piernas del operador.

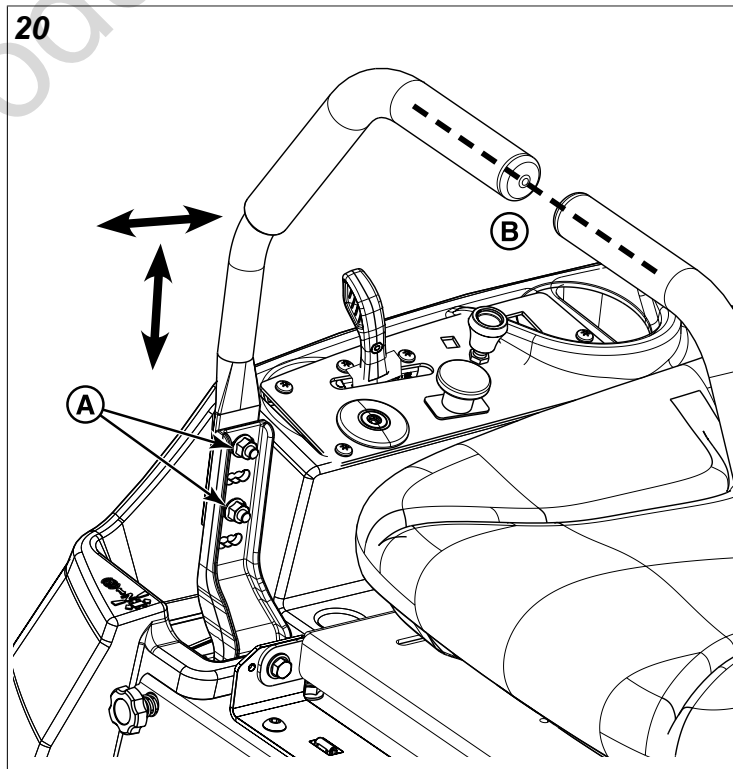
Ajuste del asiento

1. Levante el asiento.
2. Afloje las piezas de ajuste (A o B, figura 19) dependiendo del tipo de asiento) bajo la base del asiento.
3. Mueva el asiento para adelante o atrás hasta la posición deseada.
4. Ajuste las piezas hasta 80 lb-in (9 Nm).



Ajuste de la palanca de velocidad de desplazamiento

1. Afloje las piezas de montaje de la palanca de velocidad de desplazamiento (A, Figura 20) para ajustar las palancas hacia adelante y hacia atrás.
2. Retire las piezas para elevar o bajar las palancas.
3. Asegúrese siempre de ajustar ambas palancas de modo que estén alineadas (B, Figura 20).
4. Después de terminar el ajuste, apriete las piezas metálicas a 18 Nm).



Ajuste de equilibrio de velocidad (alineación)

Si el tractor se desplaza hacia la derecha o la izquierda cuando las palancas de velocidad de desplazamiento están en la posición máxima hacia adelante, puede equilibrar la

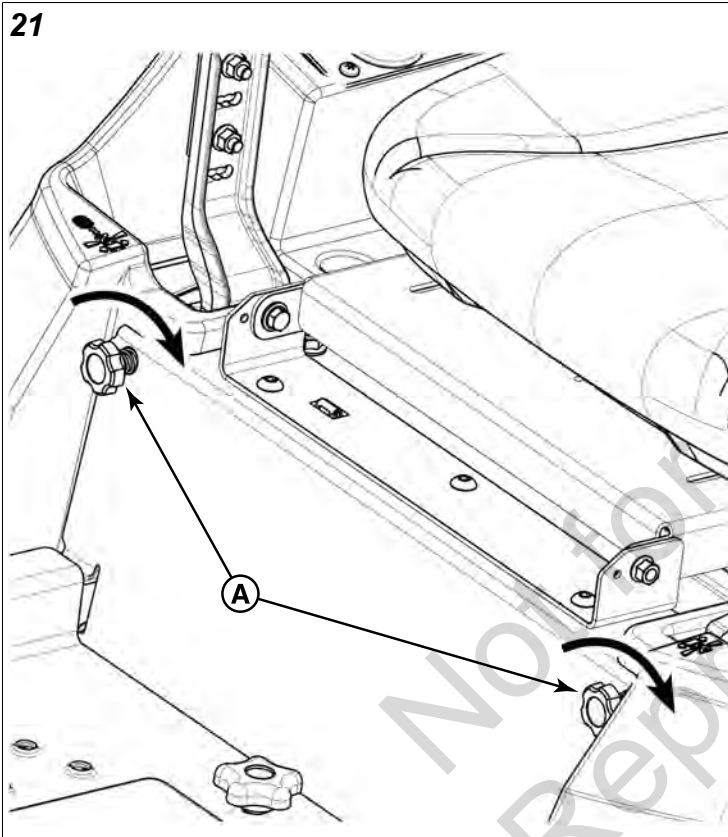
velocidad máxima de cada una de estas palancas. Solo ajuste la velocidad de la rueda que se desplaza más rápido.

1. Ajuste la perilla (A, Figura 21) de la rueda más rápida en 1/2 vuelta (sentido horario) incrementos hasta que el tractor se desplace (alineación) derecho.

ADVERTENCIA

Peligro de operación no segura

NO ajuste el tractor a una velocidad general hacia adelante o marcha atrás más rápida que para lo que fue diseñada.



Retiro e instalación de la podadora

Consulte el Manual de la cubierta de la podadora para obtener instrucciones acerca del retiro y la instalación de la cubierta de la podadora.

Nivelación de la cubierta de la podadora

Consulte el Manual de la cubierta de la podadora para obtener instrucciones acerca de la nivelación de la cubierta de la podadora.

Cambio de aceite

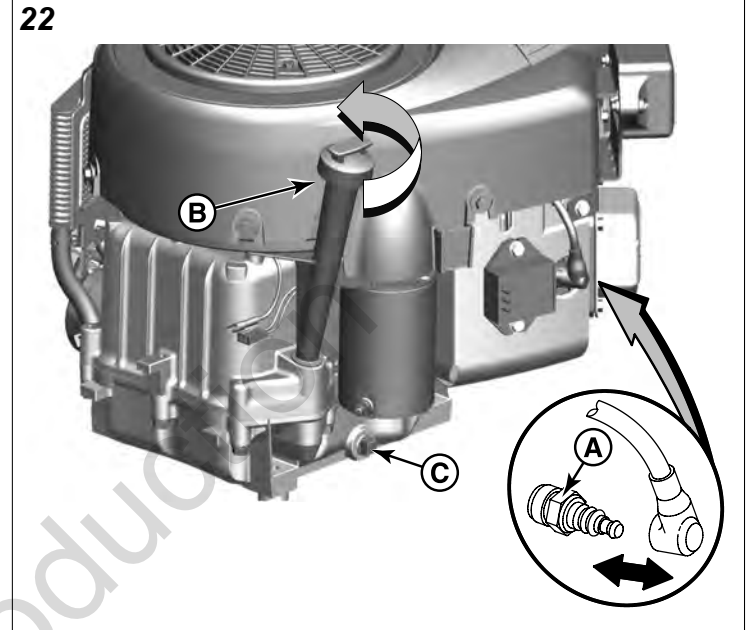
El aceite usado es un peligroso producto de desecho y debe eliminarse en forma adecuada. No lo deseche con los residuos domésticos. Consulte a las autoridades locales, su centro de servicio o su distribuidor para conocer las instalaciones de desecho/reciclaje seguro.

Vaciado del aceite

1. Con el motor apagado pero todavía caliente, desconecte el alambre de la bujía (A, Figura 22) y aléjelo de la bujía.
2. Retire la varilla indicadora de nivel de aceite (B, Figura 22).

Tapón del drenaje de aceite estándar

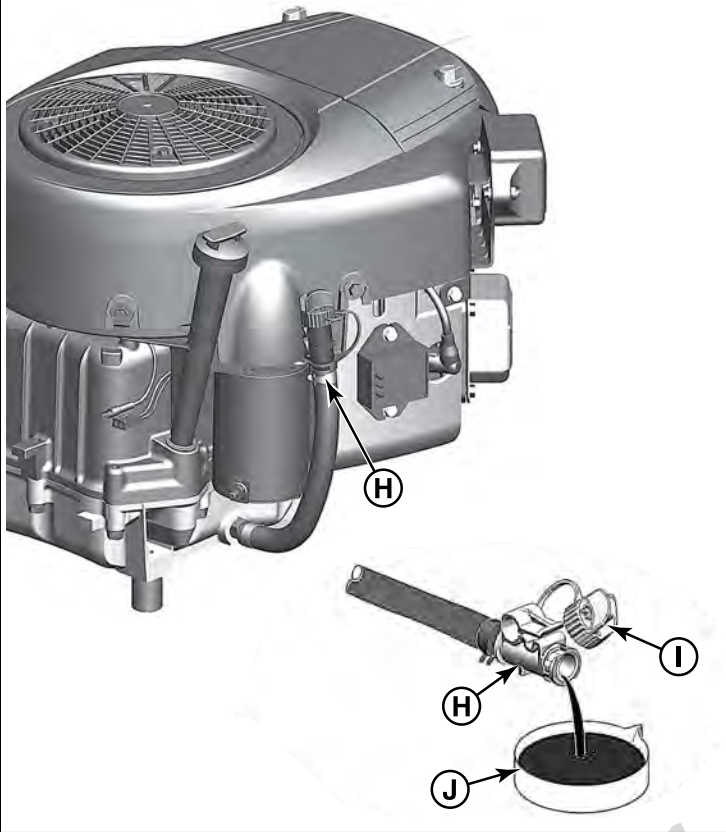
1. Retire el tapón para drenaje de aceite (C, Figura 22). Drene el aceite en un recipiente aprobado.
2. Después de que el aceite haya sido drenado, instale y apriete el tapón de drenaje de aceite.



Vaciado de aceite rápido opcional

1. Desconecte la manguera de drenaje de aceite (H, Figura 23) del lado del motor.
2. Gire y retire la tapa del drenaje de aceite (I, Figura 23). Vierta cuidadosamente el contenido del drenaje rápido de aceite (H) en un recipiente aprobado (J).
3. Después de vaciar el aceite, instale la tapa de drenaje de aceite. Conecte la manguera de drenaje de aceite en el costado del motor.

23

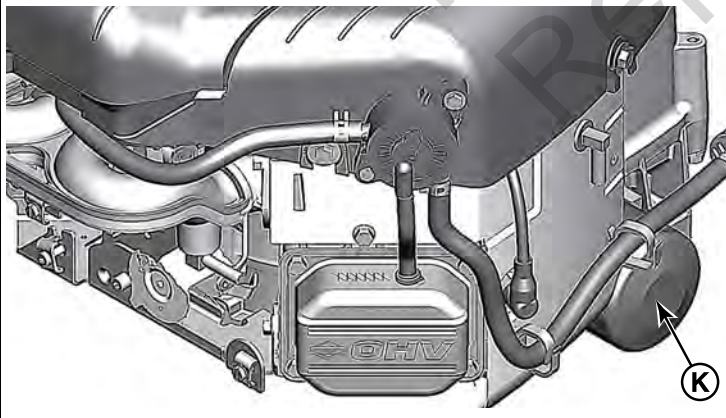


Cambio del filtro de aceite

Para los intervalos de reemplazo, ver **Plan de mantenimiento**.

1. Vacíe el aceite del motor. Ver **Vaciado del aceite**.
2. Retire el filtro de aire (K, Figura 24) y deséchelo adecuadamente.

24



3. Antes de instalar el nuevo filtro de aceite, lubrique ligeramente la empaquetadura del filtro de aceite con aceite limpio y fresco.
4. Instale manualmente el filtro de aceite de hasta que el empaque haga contacto con el adaptador del filtro de aceite, luego apriete el filtro de aceite dándole 1/2 a 3/4 de giro.

5. Agregue aceite. Ver **Operación - Comprobación del nivel de aceite**.
6. Arranque y haga funcionar el motor. A medida que el motor se calienta, revise si hay fugas de aceite.
7. Detenga el motor y revise el nivel de aceite.

Mantenimiento del filtro de aire



Riesgo de incendio y explosión

El combustible y sus vapores son extremadamente inflamables y explosivos.

El fuego o la explosión pueden causar quemaduras graves o la muerte.

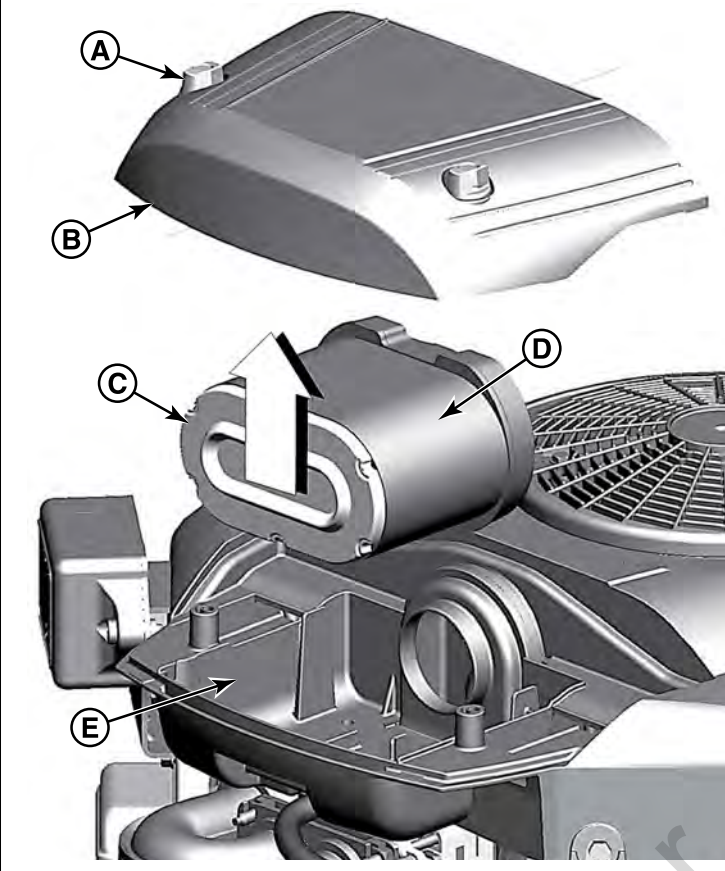
- Nunca arranque o ponga el motor en funcionamiento si se ha quitado el conjunto del filtro de aire o el filtro de aire.

AVISO

No use aire presurizado ni solventes para limpiar el filtro. El aire presurizado puede dañar el filtro y los solventes lo disuelven.

1. Afloje los sujetadores (A, Figura 25) y quite la cubierta (B).
2. Para retirar el filtro (C, figura 25), levante el extremo del filtro.
3. Retire el prefiltro (Figura D 25), si posee, desde el filtro.
4. Para soltar la suciedad, golpee suavemente el filtro sobre una superficie dura. Si el filtro está excesivamente sucio, cámbielo por otro nuevo.
5. Lave el prefiltro con detergente líquido y agua. Luego deje que se seque completamente al aire. No engrase el pre-filtro.
6. Monte el prelimpiador seco en el filtro de aire.
7. Instale el filtro en la base del motor (E, Figura 25) y presione hasta que el filtro se quede trabado.
8. Instale la cubierta.

25



Mantenimiento del filtro de aire

Vea la figura: 26



ADVERTENCIA
El combustible y sus vapores son extremadamente inflamables y explosivos.

Un incendio o una explosión pueden causar graves quemaduras o la muerte.

- Nunca encienda o haga funcionar el motor sin el conjunto del purificador de aire (si tiene) o el filtro de aire (si tiene).

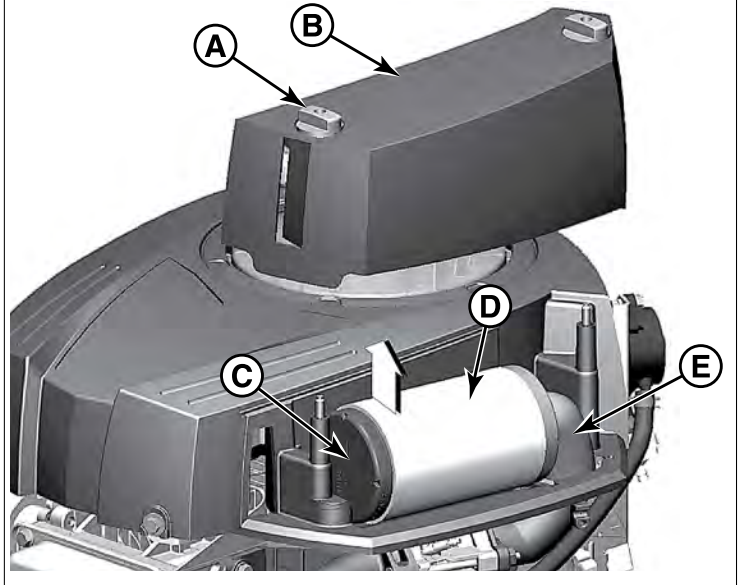
AVISO No use aire comprimido ni solventes para limpiar el filtro. El aire comprimido puede dañar el filtro y los solventes lo disuelven.

Consulte el **Plan de mantenimiento** para conocer los requerimientos de mantenimiento.

Varios modelos usan filtros de espuma o de papel. Algunos modelos además pueden tener un pre-filtro adicional que puede lavarse y volverse a usar. Compare las ilustraciones de este manual con el tipo instalado en su motor y realice el mantenimiento como se indica a continuación.

1. Afloje el(los) sujetador(es) (A, Figura 26).

26



2. Retire la cubierta (B, Figura 26).
3. Para retirar el filtro (C, Figura 26), levante el extremo del filtro y sepárelo de la admisión de aire (E).
4. Golpetee el filtro suavemente contra una superficie dura (C, Figura 26) para desprender los residuos. Si el filtro está excesivamente sucio, cámbielo por otro nuevo.
5. Retire el pre-filtro (D, Figura 26), si tiene, del filtro (C).
6. Lave el pre-filtro (D, Figura 26) en detergente líquido y agua. Luego deje que el pre-filtro se seque al aire. **No** engrase el pre-filtro.
7. Monte el pre-filtro seco (D, Figura 26), si está equipado, en el filtro (C).
8. Instale el filtro (C, Figura 26) en la admisión de aire (E). Presione el extremo del filtro sobre la base. Asegúrese de que el filtro se fije de forma segura sobre la base.
9. Instale la cubierta (B, Figura 26) y asegure con el(los) sujetador(es) (A). Asegúrese de que todos estén bien ajustados.

Revise las bujías



Cualquier chispa generada involuntariamente podría causar incendio o descarga eléctrica.

El arranque accidental puede provocar enredos, amputaciones traumáticas o laceraciones.

Cuando haga las pruebas de chispa:

- Use un probador de bujías aprobado.
- No revise si hay chispas con la bujía extraída.

AVISO

Las bujías tienen distintos márgenes de calor. Es importante que se use la bujía correcta, de lo contrario, se pueden producir daños en el motor. Reemplace la bujía con una del mismo tipo o una equivalente.

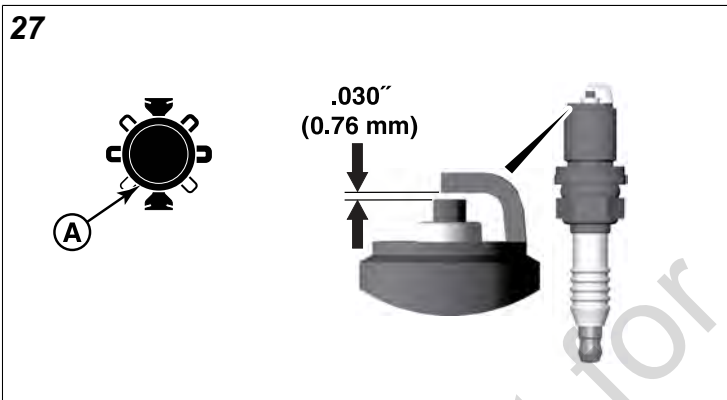
Limpieza de la bujía

Límpiala con un cepillo de alambre y un cuchillo resistente. NO use productos abrasivos.

Compruebe la apertura de la bujía

Use un calibrador de bujías (A, Figura 27) para comprobar la brecha entre los dos electrodos. Cuando la brecha sea la correcta, el calibre se resistirá levemente mientras lo empuja por la brecha.

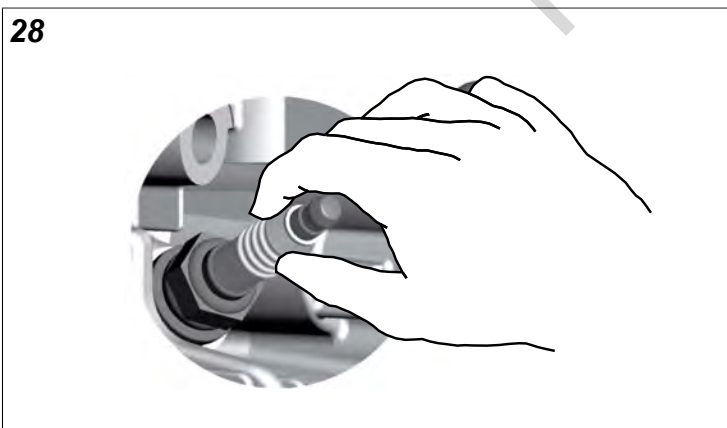
Para ajustar la apertura de la bujía, use un calibrador de bujías y suavemente doble el electrodo curvo. Asegúrese de no tocar el electrodo central ni la porcelana.



Instale la bujía

Apriétela con los dedos, luego hágalo con una llave, como se muestra en la Figura 28.

- 180 pulg-lb (20 Nm), O
- 1/2 vuelta cuando instala la bujía original. 1/4 de vuelta cuando instale una bujía nueva.



Empujar el cortacésped manualmente



ADVERTENCIA

Peligro de operación no segura.

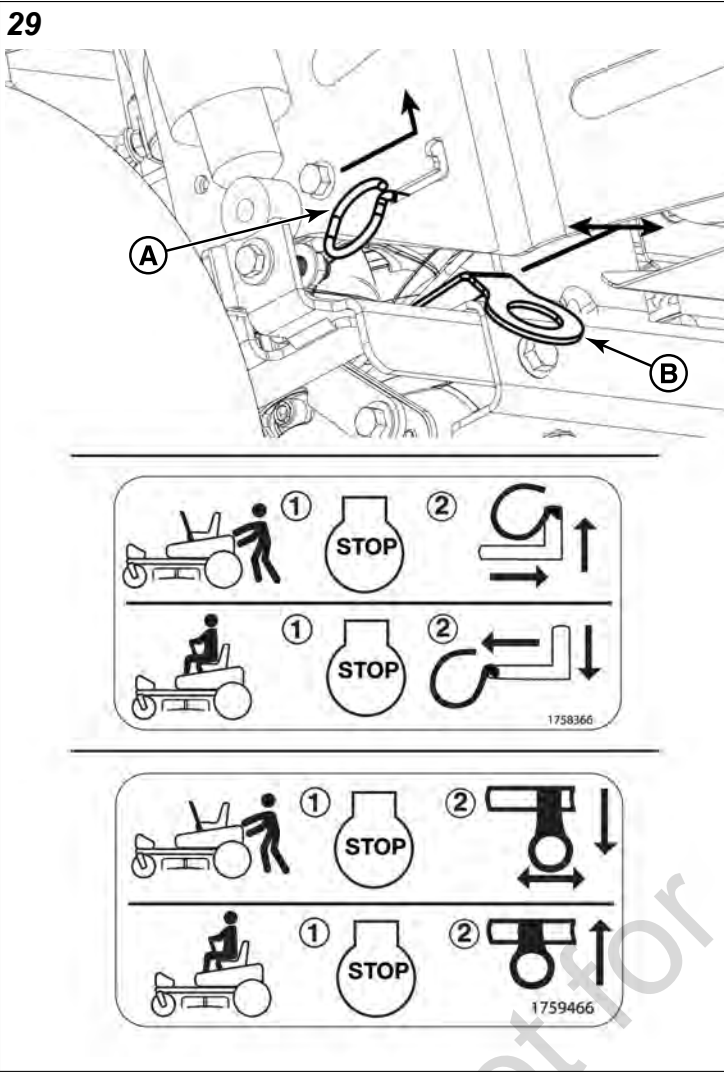
NO desactive las transmisiones y baje por las pendientes. NO use el rodillo de liberación para desactivar las transmisiones a menos que pueda controlar el movimiento de la máquina y el motor esté apagado.

AVISO

No remolque el cortacésped. Remolcar la unidad causará daños a la transmisión. No use otro vehículo para empujar o remolcar esta unidad.

1. Desactive la toma de fuerza, fije las palancas de velocidad de desplazamiento en la posición ENCENDIDO/ESTACIONAR, ponga el interruptor de ignición en APAGADO, retire la llave y espere a que todas las piezas móviles se detengan.
2. Para desactivar las transmisiones, mueva las palancas de liberación de rendimiento (A o B, Figura 29, dependiendo del modelo), a la posición de EMPUJAR como se muestra.
3. Gire las palancas de velocidad de desplazamiento desde la posición ENCENDIDO/ESTACIONAR a la posición neutra 'N' para desactivar el freno de estacionamiento. Ahora, se puede empujar el cortacésped manualmente.
4. Después de mover el cortacésped, vuelva a activar las transmisiones. Para ello, presione las palancas de liberación del rodillo de vuelta a la posición de ACCIONAMIENTO.

29



! ADVERTENCIA



Peligro de amputación y objetos arrojados

El contacto con las cuchillas del cortacésped o con objetos lanzados por las cuchillas del cortacésped puede ocasionar la muerte o una lesión grave.

- Antes de hacer funcionar el cortacésped, asegúrese de que la manguera esté conectada en forma adecuada y que no esté en contacto con las cuchillas.
- Cuando el cortacésped esté en funcionamiento y las cuchillas estén activadas, la persona que limpie la cubierta del cortacésped se debe ubicar en la posición del operador y no debe haber transeúntes.

1. Coloque la unidad en una superficie nivelada uniforme.
2. Acople la desconexión rápida (A, Figura 30) a la manguera de jardín (B) y conecte al puerto de lavado (c) en la cubierta del cortacésped.
3. Deje correr el agua para retirar el césped y los residuos de la parte inferior de la cubierta del cortacésped.
4. Encienda el cortacésped y colóquelo en la posición de corte más alta.
5. Apague el cortacésped.
6. Retire la manguera de jardín y la desconexión rápida del puerto de lavado cuando haya terminado.

Limpieza

1. Limpie la suciedad y los residuos del tractor y la cubierta de la podadora.

Note: Algunos podadoras cuentan con un puerto de lavado. Ver **Cómo lavar la cubierta de la podadora**.

2. Limpie cualquier acumulación de residuos en el compartimiento del motor y en o alrededor del motor.



! WARNING
Peligro de incendio

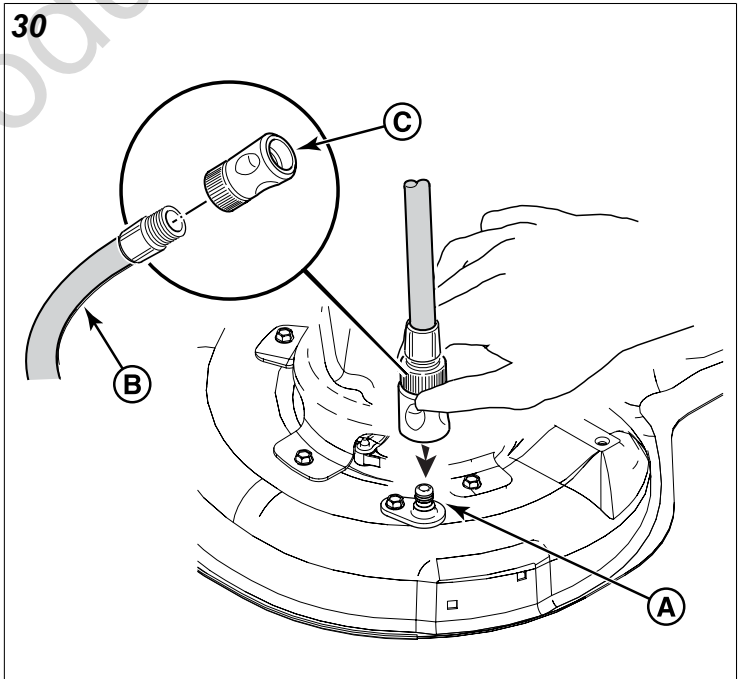
Los residuos de jardín son combustibles.

- Limpie la suciedad y los residuos del tractor y la cubierta de la podadora.
- Limpie las acumulaciones de alrededor del motor.

Cómo lavar la cubierta del cortacésped

El puerto de lavado permite conectar una manguera de jardín típica al lado izquierdo de la cubierta del cortacésped para retirar el césped y los residuos de la parte inferior.

30



Almacenamiento



Riesgo de incendio y explosión

Nunca almacene la unidad (con combustible) en una estructura cerrada sin que exista suficiente flujo de aire. Los vapores del combustible pueden llegar hasta una fuente de ignición (hornos, calentadores de agua, etc.) y producir una explosión. El vapor del combustible también es tóxico para los seres humanos y animales.

Cuando almacene combustible o equipos con combustible en el tanque

- Almacene lejos de hornos, estufas, calentadores de agua u otros aparatos que utilicen luces piloto u otras fuentes de ignición ya que estos pueden encender los vapores de gasolina.

Equipo

Desconecte la PTO, bloquee las palancas de velocidad de desplazamiento en la posición ENCENDIDO/ESTACIONAR y quite la llave.

La vida útil de la batería aumentará si se retira. Colóquela en un lugar fresco y seco y manténgala completamente cargada durante el almacenamiento. Si se deja la batería en la unidad, desconecte el cable negativo.

Aceite del motor

Con el motor aún caliente, cambie el aceite del motor.

Antes de arrancar la unidad después de su almacenamiento:

- Revise los niveles de todos los líquidos. Revise todos los elementos de mantenimiento.
- Realice todos los controles y procedimientos recomendados que se encuentran en este manual.
- Deje que el motor se caliente unos minutos antes de utilizarlo.

Almacenamiento: sistema de combustible

El combustible puede echarse a perder cuando se conserva en un contenedor de almacenamiento durante más de 30 días. Cada vez que llene el contenedor con combustible, agregue STA-BIL 360[®] PROTECTION™ al combustible tal como se especifica en las instrucciones del fabricante. Esto lo mantiene fresco y disminuye los problemas relacionados con el combustible o la contaminación en el sistema de combustible.

No es necesario drenar el combustible del motor cuando STA-BIL 360[®] PROTECTION™ se agrega según las instrucciones. Antes de su almacenamiento, ENCENDIDO el motor durante 2 minutos para que el combustible y el estabilizador recorran todo el sistema de combustible.

Resolución de problemas

Solución de problemas del cortacésped

PROBLEMA	BUSQUE	SOLUCIÓN
El motor no gira ni arranca.	Las palancas de velocidad de desplazamiento no están en la posición ENCENDIDO/ESTACIONAR.	Fije las palancas de velocidad de desplazamiento en la posición ENCENDIDO/ESTACIONAR.
	El interruptor de la PTO (embrague eléctrico) está en posición ENCENDIDO.	Colóquelo en la posición APAGADO.
	Sin combustible.	Si el motor está caliente, permita que se enfríe, luego vuelva a llenar el tanque de combustible.
	El motor está inundado.	Abra el estrangulador (si está equipado).
	Se deben limpiar los terminales de la batería.	Limpie los terminales de la batería.
	La batería está descargada o muerta.	Recargue o cambie la batería.
El motor no arranca bien o no funciona bien.	Las bujías están defectuosas, están dañadas o la separación es incorrecta.	Limpie y ajuste la separación o cámbielas.
	La mezcla de combustible tiene un octanaje demasiado alto.	Limpie el filtro de aire. Revise el estrangulador (si está equipado).
El motor golpea.	La bujía está defectuosa, está dañada o la separación es incorrecta.	Limpie y ajuste la separación o cámbielas.
	Bajo nivel de aceite.	Verifique el aceite o agregue según sea necesario.
Consumo excesivo de aceite.	Se está usando un tipo incorrecto de aceite.	Consulte Recomendaciones de aceite .
	El motor se está calentando demasiado.	Verifique las aletas de refrigeración del motor, la rejilla del ventilador y el filtro del aire.
	Demasiado aceite en la caja del cigüeñal.	Vacíe el exceso de aceite.
El escape del motor está negro.	El filtro de aire está sucio.	Reemplace el filtro de aire.
	El control del estrangulador del motor está en posición cerrada.	Abra el control del estrangulador (si está equipado).
El motor arranca, pero el cortacésped de montar no avanza.	Las transmisiones están desconectadas.	Desbloquee las palancas de liberación del rodillo.
La correa de transmisión del cortacésped de montar se resbala.	Las poleas o la correa tienen grasa o aceite.	Limpie según sea necesario.

PROBLEMA	BUSQUE	SOLUCIÓN
El cortacésped de montar gira o maniobra deficientemente.	La conexión de dirección está suelta.	Revise y apriete las conexiones sueltas.

Para todos los demás problemas, consulte con un distribuidor autorizado.

Solución de problemas de la podadora

PROBLEMA	BUSQUE	SOLUCIÓN
La podadora no se eleva.	La cubierta de la podadora no está instalada correctamente.	Ver <i>Retiro e instalación de la podadora</i> .
El corte de la podadora es disperejo.	La podadora no está nivelada correctamente.	Ver <i>Nivelación de la cubierta de la podadora</i> .
	Los neumáticos del tractor no están inflados uniformemente o tiene un inflado incorrecto.	Ver <i>Sección de Mantenimiento</i> .
El corte luce disperejo.	La velocidad del motor es demasiado lenta.	Ajuste el control de velocidad del motor en RÁPIDO.
	La velocidad de desplazamiento es demasiado rápida.	Reduzca la velocidad de desplazamiento.
El motor se detiene con facilidad cuando la podadora está activada.	La velocidad del motor es demasiado lenta.	Ajuste el control de velocidad del motor en RÁPIDO.
	La velocidad de desplazamiento es demasiado rápida.	Reduzca la velocidad de desplazamiento.
	La altura de corte está demasiado baja.	Pode el césped alto a la altura máxima de corte en la primera pasada.
	El conducto de descarga se atasca con el césped podado.	Pode el césped con la descarga dirigida hacia una zona podada previamente.
La vibración de la podadora es excesiva.	Las piezas de montaje de la cuchilla están sueltas.	Ajuste de 50 a 60 ft-lb (68 a 81 Nm).

Para todos los demás problemas, consulte con un distribuidor autorizado.

Especificaciones

MOTOR

Briggs & Stratton

Serie Intek™	
Cilindrada	44,18 pulgadas cúbicas (724 cc)
Professional Series™	
Cilindrada	30,51 pulgadas cúbicas (500 cc)
Cilindrada	44,18 pulgadas cúbicas (724 cc)
Todos los motores	
Capacidad de aceite (500 cc)	48 oz (1,4 l)
Capacidad de aceite (724 cc)	64 oz (1,9 l)
Apertura de la bujía	0,030 pulg. (0.76 mm)
Torque de la bujía	180 libras-pulgada (20 Nm)

CHASIS

Capacidad del tanque de combustible	3 gal (11,4 l)
Presión de inflado	
- Ruedas delanteras	22 psi (1,52 bar)
- Ruedas traseras	12 psi (0,83 bar)

TRANSMISIÓN

Tipo	Hydro-Gear® EZT® Hydro-Gear® ZT-2800®
------	--

CORTACÉSPED

Ancho de corte	36 pulg (91 cm)
	42 pulg (107 cm)
	44 pulg (112 cm)
	46 pulg (117 cm)
	48 pulg (122 cm)
	52 pulg (132 cm)
Pasador de ajuste	1,5 - 3,75 pulg (3,8 - 9,5 cm)
	1,5 - 4,5 pulg (3,8 - 11,7 cm)

Clasificación de potencia

La potencia nominal bruta para los modelos de motor de gasolina individuales está etiquetada conforme al código SAE (Sociedad de Ingenieros Automotrices) J1940, Procedimiento de calificación de potencia y torque para motores pequeños, y está clasificada conforme a SAE J1995. Los valores de torque se obtienen a 2600 RPM para los motores con "rpm" indicado en la etiqueta y 3060 RPM para todos los demás. Los valores de potencia se obtienen a 3600 RPM. Las curvas de potencia bruta se pueden ver en www.BRIGGSandSTRATTON.COM. Los valores de potencia neta se obtienen con un filtro de aire y un escape instalados, mientras que los valores de potencia bruta se recopilan sin estos aditamentos. La potencia bruta real del motor es mayor que la potencia neta del motor y depende, entre otros factores, de las condiciones ambientales de uso y de las variaciones entre los motores. Dada la amplia gama de productos donde se colocan los motores, el motor de gasolina puede no desarrollar la potencia bruta nominal cuando se usa en un equipo de potencia determinado. Esta diferencia se debe, entre otros, a los siguientes factores: variedad de componentes del motor (purificador de aire, escape, carga, enfriamiento, carburador, bomba de combustible, etc.), limitaciones de la aplicación, condiciones ambientales de uso (temperatura, humedad, altitud) y variaciones entre los motores. Debido a limitaciones de fabricación y capacidad, Briggs & Stratton puede sustituir un motor de una potencia nominal mayor por este motor.

Note: La información del motor que contiene este manual corresponde solo a los motores Briggs & Stratton. Para obtener información de motores que no sean Briggs, consulte el manual del motor que se proporciona con su unidad.

Piezas y accesorios

Consulte con un distribuidor de servicio autorizado.

Not for
Reproduction

Table des matières:

Renseignements généraux.....	46
Sécurité de l'utilisateur.....	46
Caractéristiques et commandes.....	49
Utilisation.....	50
Entretien.....	58
Dépannage.....	65
Spécifications.....	66

Renseignements généraux

Pour un complément d'information, voir le *Guide des contacts à l'intention du client* qui accompagne l'appareil.

Les illustrations de ce document sont à titre représentatif seulement. Votre appareil peut sembler différent des illustrations. Les directions *GAUCHE* et *DROITE* sont indiquées depuis la position de l'opérateur.

L'utilisation des mentions Important et Remarque dans le texte indique des clarifications, des exceptions ou des options aux procédures fournies.

Toutes les traductions de ce document sont réalisées à partir du texte source anglais original.



Tout le matériel d'emballage, les huiles usées et les batteries devraient être recyclés selon la réglementation gouvernementale en vigueur.



This product can expose you to chemicals including gasoline engine exhaust, which is known to the State of California to cause cancer, and carbon monoxide, which is known to the State of California to cause birth defects or other reproductive harm. For more information go to www.P65Warnings.ca.gov.

Sécurité de l'utilisateur

Conserver ces directives aux fins de référence

ultérieure. Ce manuel contient de l'information de sécurité pour vous sensibiliser aux risques associés à ce produit et vous permettre de les éviter. Il contient également des instructions importantes qui doivent être observées lors de la configuration initiale, de l'utilisation et de l'entretien de ce produit.

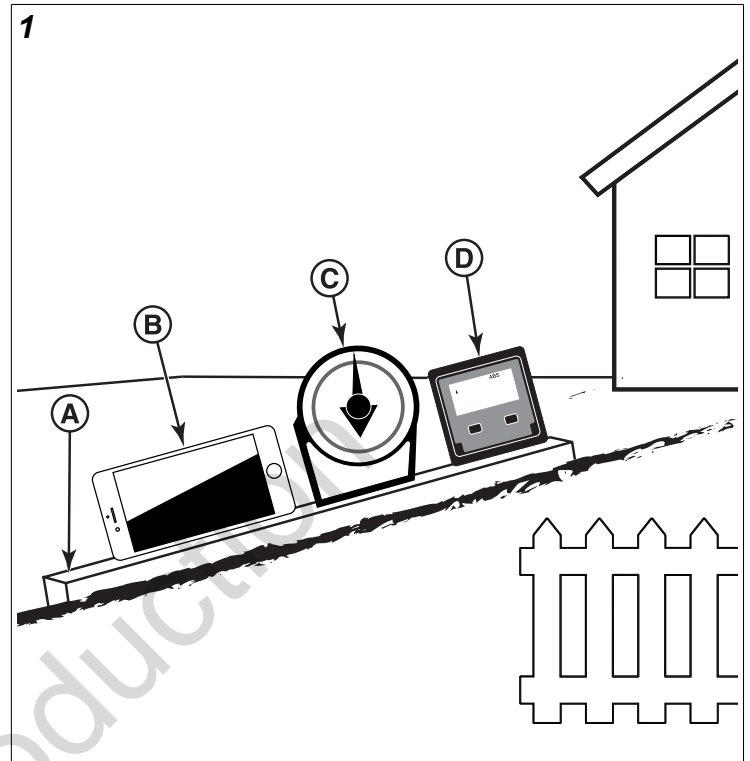
Ce produit est conçu et destiné à la coupe d'un gazon bien entretenu, il n'est pas destiné à d'autre but.

Il est important de lire et comprendre ces instructions avant de faire démarrer ou d'utiliser cet équipement.

Veiller à connaître les contrôles et la bonne utilisation du produit.

Sachez comment arrêter l'unité et désactiver les commandes rapidement.

Guide d'identification de pente



Comment mesurer la pente de la surface d'une pelouse à l'aide d'un téléphone intelligent ou d'un détecteur d'angle °:

AVERTISSEMENT









Ne pas utiliser sur des pentes de plus de 10 degrés.







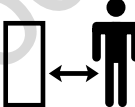
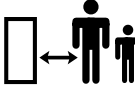


1. Utiliser un bord droit d'au moins deux (2) pieds de long (A, Figure 1). Un 2 x 4 ou un morceau de métal droit fonctionnent tout aussi bien.
2. Outils détecteurs d'angles.
 - a. **Utiliser un téléphone intelligent :** De nombreux téléphones intelligents (B, Figure 1) ont un inclinomètre (détecteur d'angle) sous l'application du compas (app). Ou bien, cherchez une application d'inclinomètre dans le app store.
 - b. **Utiliser des détecteurs d'angle :** Des détecteurs d'angle (C et D, Figure 1) se trouvent dans les quincailleries ou en ligne (s'appellent aussi inclinomètre, rapporteur, goniomètre ou jauge d'angle). Le type à cadran (C) ou le type numérique (D) fonctionne alors que d'autres peuvent ne pas fonctionner. Lire et respecter les directives fournies avec l'inclinomètre.

3. Placer le bord droit de deux (2) pieds de long sur le bord le plus escarpé de la pente de la pelouse. Placer le panneau en montant et en descendant la pente.
4. Placer à plat le téléphone intelligent ou l'inclinomètre sur le bord droit et lire l'angle en degrés. Voici la pente de votre pelouse.


Remarque : Un guide d'identification de pente (jauge de papier) est inclus dans la documentation du produit et peut également être téléchargé à partir du site Web du fabricant.

Les symboles de sécurité et leur signification

Symbole	Signification
	Information de sécurité au sujet des dangers qui peuvent causer de blessures corporelles.
	Lire et assimiler le Manuel de l'opérateur avant de faire fonctionner ou d'entretenir l'appareil.
	Retirer la clé et lire le Manuel de l'opérateur avant de faire l'entretien de l'appareil.
	Butée
	Risque d'incendie
	Risque d'explosion
	Risque de choc électrique
	Risque de vapeurs toxiques

Symbole	Signification
	Pièces mobiles
	Porter des lunettes de protection.
	Produit chimique dangereux
	Risque de surface chaude
	Risque d'amputation
	Risque de projection d'objets
	Se tenir à une distance sécuritaire
	Garder hors de la portée des enfants
	Risque de renversement
	Risque d'amputation

Symbole d'alerte de sécurité et mots de signal

Le symbole d'alerte de sécurité  identifie l'information de sécurité relative aux dangers pouvant causer des blessures. Un mot de signalisation (**DANGER**, **AVERTISSEMENT** ou **ATTENTION**) est utilisé conjointement avec le symbole d'alerte pour indiquer la possibilité et la gravité des blessures

potentielles. En plus, un symbole de danger peut être utilisé pour représenter un type de danger.

! **DANGER** indique un danger qui, si non évité, **provoquera** la mort ou des blessures graves.

! **AVERTISSEMENT** indique un danger qui, si non évité, **pourrait** provoquer la mort ou des blessures graves.

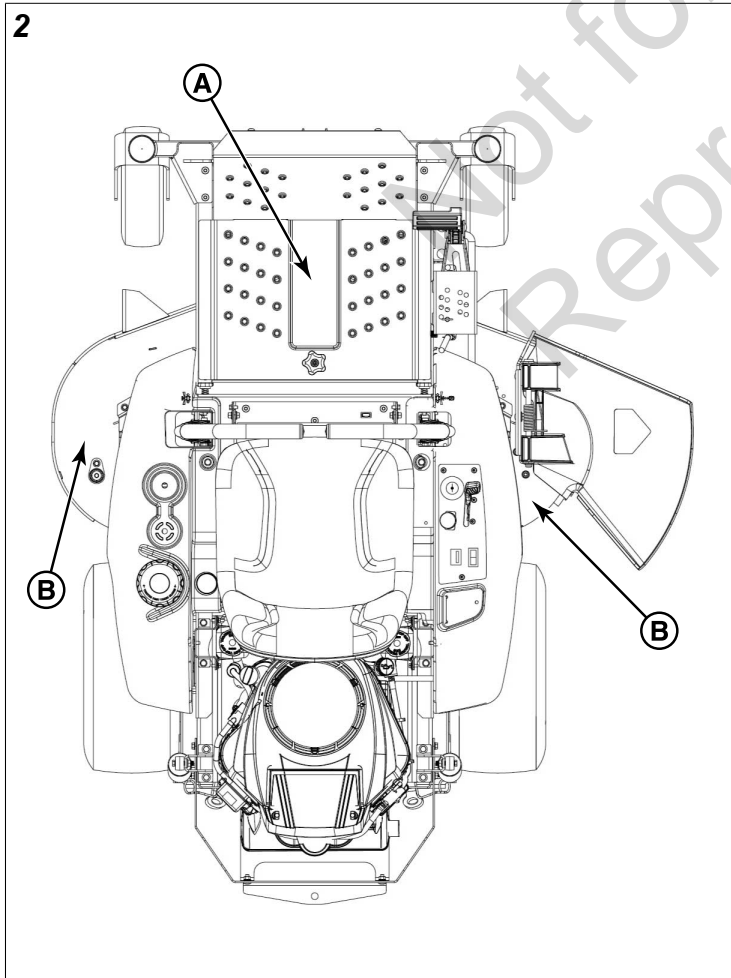
! **ATTENTION** indique un danger qui, si non évité, **pourrait** causer une blessure mineure ou modérée.

AVIS indique des informations considérées importantes, mais pas liées aux dangers.

Autocollants de sécurité

Avant de faire fonctionner votre machine, lire et comprendre les consignes indiquées sur les autocollants de sécurité. Comparer la Figure 2 avec le tableau qui suit. Les précautions et les avertissements sont pour votre sécurité. Pour éviter des blessures corporelles ou d'endommager la machine, veuillez comprendre et suivre toutes les consignes indiquées sur les autocollants de sécurité.

Important : Si n'importe quel autocollant de sécurité devient usé ou endommagé et ne peut être lu, commander des autocollants de remplacement de votre concessionnaire local.



<p>A</p>	<p>Autocollant, Sécurité générale N° de pièce 5106564</p>	
<p>B</p>	<p>Autocollant, danger, projection d'objets N° de pièce 7101665</p>	

Messages de sécurité



Lire, comprendre et respecter toutes les instructions et tous les avertissements figurant dans ce manuel, et sur la machine, le moteur et les raccords avant de la faire fonctionner. Le non-respect des consignes de sécurité de ce manuel et apposées à l'équipement peut entraîner la mort ou des blessures graves.

- Permettre uniquement aux utilisateurs responsables, formés, familiers avec les consignes et physiquement capables d'utiliser la machine.
- Ne pas utiliser la machine sous l'emprise de l'alcool ou de drogues.
- Porter des lunettes de sécurité et des souliers fermés.
- Ne jamais placer les mains ou les pieds près des pièces en mouvement ou sous la machine. Rester loin de l'ouverture d'éjection en tout temps.
- Maintenir la machine en bon état de marche. Remplacer les pièces usées ou endommagées.
- Faire attention lors de l'entretien des lames. Envelopper la ou les lames et porter des gants. Remplacer les lames endommagées. Ne pas réparer ni modifier la ou les lames.
- Utiliser des rampes pleine largeur pour charger et décharger une machine pour le transport.
- Vous reporter à grément ou accessoire pour connaître les poids et contrepoids pour roues.
- Pour empêcher les incendies, dégager le gazon, les feuilles et tout autre matériau indésirable sur la machine. Nettoyer tout débordement d'huile ou de carburant. Éliminer les débris trempés de carburant et laisser la machine refroidir avant de la ranger.

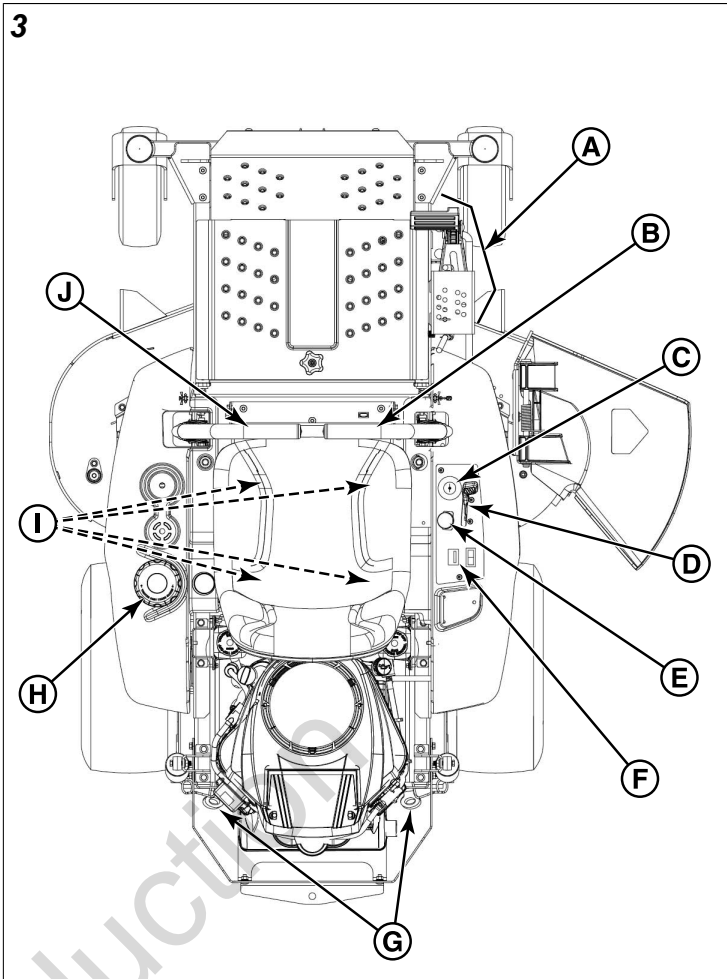









Le moteur en marche émet du monoxyde de carbone, un gaz toxique sans odeur ni couleur. Le fait de respirer le monoxyde de carbone peut causer des maux de tête, de la fatigue, des étourdissements, des vomissements, de la confusion, des crises épileptiques, des nausées, des évanouissements ou la mort.











- Faire fonctionner cet équipement UNIQUEMENT à l'extérieur.
- Empêcher les gaz d'échappement de pénétrer un lieu confiné par les fenêtres, les portes, les entrées de ventilation ou autres ouvertures.

Caractéristiques et commandes

Comparer les caractéristiques et les commandes dans la Figure 3 au tableau ci-dessous.



Réf.	Description / Fonction	Icône(s)	Définition / Opération
A	Pédale de levage du plateau, Goupille d'ajustement de la hauteur de coupe et Levier de verrouillage du levage de plateau	  	Consulter Réglage de la hauteur de coupe
B	Levier de vitesse de déplacement droite – contrôle la vitesse et la direction de la roue d'entraînement droite; engage aussi le frein de stationnement *		Augmentation de la vitesse de déplacement vers l'avant – pousser le levier vers l'avant Neutre – relâcher le levier Démarrage du moteur – sortir le levier Inverser l'augmentation de la vitesse de déplacement – tirer le levier vers l'arrière
C	Contacteur - démarre le moteur		Engager le frein de stationnement - sort le levier
			Moteur en arrêt
			Moteur en marche (fonctionne)

			Moteur démarre
D	Commande du régime du moteur - contrôle le régime du moteur		Étrangleur activé (fermé) – Moteurs Briggs seulement
			Régime moteur - fast (rapide)
			Régime moteur - slow (lent)
E	Commutateur PdF – embraye et débraye l'embrayage de la lame de tondeuse		PdF embrayée – tirer vers le haut sur le commutateur
F	Compte-tours		Indique le nombre d'heures total d'opération du moteur
G	Leviers de dégagement de transmission – dégage les transmissions afin que la machine puisse rouler librement		Consulter Pousser la machine à la main
H	Bouchon du réservoir de carburant		Tourner le bouchon dans le sens antihoraire pour le retirer
I	Réglage du siège de l'opérateur		Consulter Réglages du siège
J	Lever de vitesse de déplacement gauche – contrôle le régime et la direction de la roue d'entraînement gauche		Augmentation de la vitesse de déplacement vers l'avant – pousser le levier vers l'avant
			Neutre – relâcher le levier Démarrage du moteur – sortir le levier Inverser l'augmentation de la vitesse de déplacement – tirer le levier vers l'arrière

Utilisation

Zone d'utilisation

1. Connaissez la zone où vous prévoyez d'opérer la tondeuse.
2. Veiller à ce que la zone soit libre de matériaux indésirables pouvant être ramassés par les lames et projetés.



Cette machine peut projeter des objets qui pourraient blesser des personnes à proximité ou endommager des bâtiments.

- Ne pas faire fonctionner la machine sans le bac de ramassage complet, le déflecteur ou tout autre dispositif de sécurité en place et fonctionnant correctement. Vérifier fréquemment s'il y a des signes d'usure ou de détérioration et remplacer au besoin.
- Nettoyer la zone d'opération de tout objet pouvant être projeté par la machine ou perturber son fonctionnement.

3. Sortir la tondeuse autoporteuse dehors avant de démarrer le moteur.



Les moteurs dégagent du monoxyde de carbone, un gaz toxique sans odeur et sans couleur. Le fait de respirer le monoxyde de carbone peut causer des nausées, des évanouissements ou la mort.

4. Noter toutes les pentes et tous les fossés.



Rouler sur des pentes, près de l'eau ou les fossés peut entraîner une perte de contrôle ou un renversement.

- Éviter de tourner sur les pentes descendantes; si possible tourner sur les pentes montantes.
- Réduire la vitesse et faire attention sur les pentes.
- Ne pas rouler sur les pentes de plus de 10 degrés, ce qui représente une élévation de 3,5 pieds sur une longueur de 20 pieds.
- Ne pas conduire en descendant une pente vers ou à proximité de l'eau, des murs de soutien ou des fossés.
- Accorder un dégagement de deux largeurs de tondeuse autour de l'eau, des murs de soutènement ou fossés.
- Ne pas tondre de l'herbe mouillée.
- Ne pas utiliser la machine en cas de doute de traction, conduite ou stabilité. Les pneus pourraient glisser même si les roues sont arrêtées.
- Ne pas démarrer ni arrêter sur les pentes.
- Ne pas faire des changements brusques de vitesse ou de direction.
- Tourner lentement et graduellement.
- Faire attention lorsqu'un bac de ramassage ou un autre grément est fixé. Ils peuvent affecter la stabilité de la machine.
- Respecter les directives du fabricant concernant les limites de poids du matériel remorqué et le remorquage sur les pentes. Voir *Équipement remorqué*.

5. S'assurer que personne ne se trouve dans la zone de déblayage, particulièrement des enfants.



Cette tondeuse autoporteuse peut amputer les mains et les pieds.

- Arrêter la tondeuse lorsqu'il y a des enfants ou autres personnes à proximité.
- Maintenir les enfants hors de la zone d'opération et sous la surveillance d'un adulte.
- Ne jamais transporter des personnes (particulièrement des enfants), même si les lames sont arrêtées. Les enfants risquent de tomber et de gravement se blesser ou d'interférer avec l'opération sécuritaire de la machine. Les enfants que l'on a transportés par le passé risquent d'apparaître brusquement dans la zone à tondre pour se faire transporter à nouveau et risquent se faire écraser ou de passer sous la machine.
- Prendre bien soin lorsque vous approchez des coins sans visibilité, les arbustes, les arbres ou les autres objets qui vous bloquent la vue.

Contrôles du système d'interverrouillage de sécurité



NE PAS faire fonctionner la machine si un verrouillage de sécurité ou un dispositif de sécurité n'est pas en place et fonctionne correctement. Communiquer avec votre distributeur immédiatement pour obtenir une assistance. NE PAS tenter de défier, de modifier ou de retirer tout dispositif de sécurité.

TEST 1 - Le moteur NE DOIT PAS démarrer si :

- Le commutateur de prise de force est engagé, OU
- Les leviers de vitesse de déplacement ne sont pas verrouillés dans leur position DÉMARRAGE/STATIONNEMENT.

TEST 2 — Le moteur DOIT démarrer si :

- Le commutateur de la prise de force N'EST PAS engagé, ET
- Les leviers de vitesse de déplacement sont verrouillés dans leur position DÉMARRAGE/STATIONNEMENT.

TEST 3 — Le moteur doit S'ARRÊTER si :

- L'opérateur se lève du siège tandis que la PDF est embrayée OU
- L'utilisateur se lève du siège tandis que les leviers de vitesse de déplacement ne sont pas verrouillés dans leur position DÉMARRAGE/STATIONNEMENT.

TEST 4 — Vérifier le temps d'arrêt des lames de la tondeuse

Les lames de coupe et leur courroie d'entraînement doivent s'arrêter complètement dans les cinq secondes qui suivent la coupure du commutateur de PDF. Si la courroie d'entraînement de la tondeuse ne s'arrête pas dans les cinq secondes, consulter le distributeur.

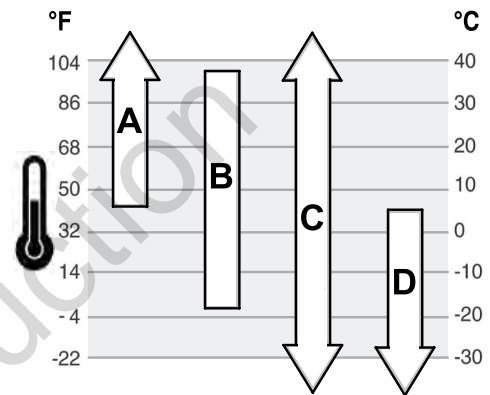
Remarque : Une fois le moteur arrêté, l'interrupteur de la prise de force doit être mis à la position arrêt et les leviers de vitesse de déplacement doivent être verrouillés dans leur position DÉMARRAGE/STATIONNEMENT afin que le moteur démarre.

Recommandations relatives à l'huile

Volume d'huile : se reporter à la rubrique **Spécifications**.

Nous recommandons l'utilisation d'huiles certifiées par garantie Briggs & Stratton® pour les meilleures performances. D'autres huiles détergentes de haute qualité sont acceptables si elles sont de catégorie SF, SG, SH, SJ ou supérieure. Ne pas utiliser d'additifs spéciaux.

Les températures à l'extérieur déterminent la viscosité de l'huile moteur appropriée. Utiliser le tableau pour sélectionner la meilleure viscosité pour la plage de températures extérieures prévues.



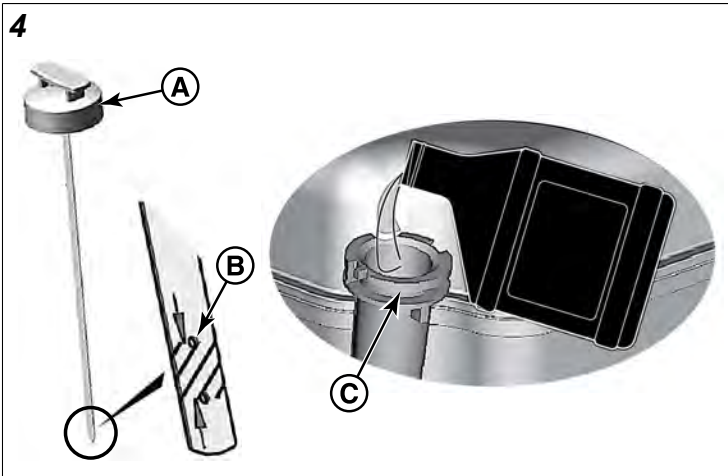
A	SAE 30 - En dessous de 40 °F (4 °C), l'utilisation de SAE 30 causera une difficulté de mise en marche.
B	10W-30 - Au-dessus de 80 °F (27 °C), l'utilisation de 10W-30 peut causer une augmentation de la consommation d'huile. Vérifier le niveau d'huile plus fréquemment.
C	Synthétique 5W-30
D	5W-30

Vérifier le niveau d'huile

Voir la figure : 4

Avant de vérifier ou d'ajouter de l'huile

- S'assurer que la machine est nivelée.
 - Débarrasser de tout débris la zone de remplissage d'huile.
1. Retirer la jauge d'huile (A, figure 4) et l'essuyer avec un tissu propre.



2. Replacer et serrer le bouchon-jauge (A, figure 4).
3. Sortir la jauge et vérifier le niveau d'huile. Le niveau adéquat est au dessus de la marque du haut (B, figure 4) de la jauge.
4. Si le niveau est bas, verser l'huile lentement dans le tube de remplissage du moteur (C, figure 4). **Ne pas trop remplir.** Après avoir ajouté de l'huile, attendre une minute, puis vérifier le niveau d'huile à nouveau.

Remarque : Ne pas ajouter d'huile au niveau de la vidange d'huile rapide (si équipé). Voir les emplacements sur **Caractéristiques et commandes.**

5. Replacer et serrer le bouchon de la jauge (A, figure 4).

Pression d'huile

Si la pression d'huile est trop basse, un pressostat (si équipé) arrêtera le moteur ou activera un dispositif d'avertissement sur l'équipement. Si cela se produit, arrêter le moteur et contrôler le niveau d'huile avec la jauge d'huile.

Si le niveau d'huile est en-dessous de l'indicateur AJOUTER, ajouter de l'huile jusqu'au niveau de l'indicateur PLEIN. Démarrer le moteur et vérifier que la pression de l'huile est bonne avant de continuer à opérer la machine.

Si le niveau d'huile est situé entre les indicateurs AJOUTER et PLEIN, **NE PAS démarrer le moteur.** Prendre contact avec un concessionnaire de service agréé pour corriger le problème de la pression d'huile.

Recommandations de carburant

Le carburant doit répondre aux critères suivants :

- Essence sans plomb, propre et récemment achetée.
- Au minimum 87 octanes/87 AKI (91 RON). Pour une utilisation en haute altitude, voir ci-dessous.
- Une essence contenant jusqu'à 10 % d'éthanol (gazohol) est acceptable.

AVIS Ne pas utiliser d'essence non approuvée telle que E15 et E85. Ne pas mélanger de l'huile avec l'essence ou modifier le moteur afin qu'ils puissent utiliser des carburants alternatifs. L'utilisation de carburants non approuvés pourrait endommager des composants des moteurs; **ces dommages ne seront pas couverts par la garantie.**

Pour empêcher que de la gomme ne se forme dans le circuit d'alimentation, mélanger un stabilisateur de carburant à l'essence. Consultez **Entreposage** Tous les carburants ne sont pas identiques. Si des problèmes de démarrage ou de performance se produisent, changer de fournisseur de carburant ou de marque. Ce moteur est certifié pour fonctionner à l'essence. Le système de contrôle des émissions pour ce moteur est EM (Modifications du moteur).

Haute altitude

À des altitudes supérieures à 1 524 mètres (5 000 pieds), de l'essence au minimum 85 octanes/85 AKI (89 RON) est acceptable.

Pour les moteurs carburés, un réglage pour haute altitude est requis pour maintenir la performance. Faire fonctionner le moteur sans ce réglage donnera lieu à une performance moindre, à une consommation de carburant supérieure et à une augmentation des émissions. Consulter un revendeur agréé Briggs & Stratton pour obtenir des renseignements sur les ajustements de haute altitude. Il n'est pas recommandé de faire fonctionner le moteur à des altitudes inférieures à 762 mètres (2 500 pieds) avec l'ajustement de haute altitude.

Pour les moteurs à système d'injection électronique (EFI), aucun ajustement de haute altitude est nécessaire.

Remplissage de carburant



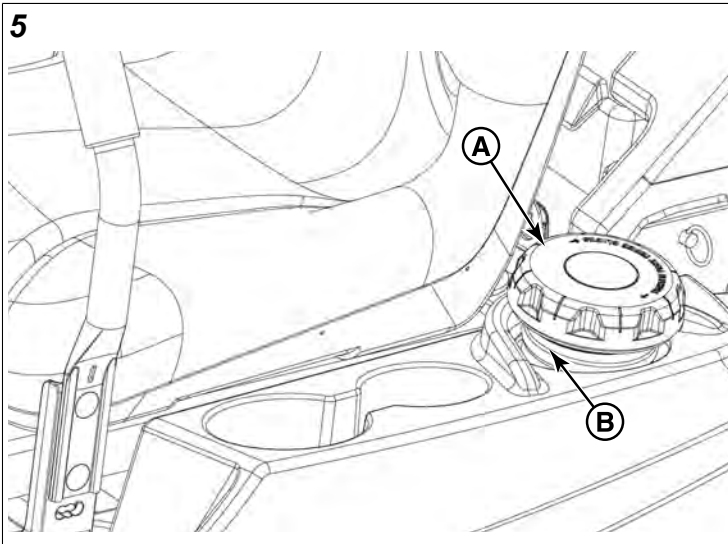
Le carburant et ses vapeurs sont extrêmement inflammables et explosifs.

Un incendie ou une explosion peut provoquer des brûlures graves voire la mort.

Lors du remplissage de carburant

- Arrêter le moteur et le laisser refroidir au moins 3 minutes avant d'enlever bouchon du réservoir de carburant.
 - Éteindre cigarettes, cigares, pipes et autres sources de combustion.
 - Remplir le réservoir de carburant dehors ou dans un endroit bien ventilé.
 - Ne pas trop remplir le réservoir de carburant. Afin de permettre l'expansion du carburant, ne pas remplir au-dessus du goulot de remplissage.
 - Garder le carburant loin des étincelles, des flammes nues, des veilleuses, de la chaleur et autres sources d'allumage.
 - Vérifier fréquemment les conduites de carburant, le réservoir, le bouchon et les accessoires pour fissures et fuites. Remplacer si nécessaire.
 - Si le carburant se renverse, attendre jusqu'à ce qu'il soit évaporé avant de mettre en marche le moteur.
1. Nettoyer la zone autour du bouchon du réservoir de carburant en enlevant toute la poussière et les débris. Retirer le bouchon de carburant (A, Figure 5).

2. Remplir le réservoir de carburant avec de l'essence. Pour permettre à l'essence de se dilater, ne pas remplir au-dessus du bas du goulot du réservoir de carburant (B).
3. Replacer le bouchon du réservoir de carburant.



Démarrage du moteur

AVERTISSEMENT

- Si vous ne comprenez pas le fonctionnement d'une commande, ou n'avez pas encore lu au complet la section *Caractéristiques et commandes* faites le maintenant.
- NE PAS essayer d'utiliser cette tondeuse autoportée sans être à l'aise avec les emplacements et les fonctions de TOUTES les commandes.

1. Tout en étant assis sur le siège de l'utilisateur, s'assurer que l'interrupteur de la prise de force est désengagé et que les leviers de vitesse de déplacement sont verrouillés dans leur position DÉMARRAGE/STATIONNEMENT.

Remarque : Le frein de stationnement est automatiquement engagé lorsque les levier de vitesse de déplacement sont verrouillés dans leur position DÉMARRAGE/STATIONNEMENT.

2. Placer la commande du régime du moteur dépassé la position RAPIDE à la position ÉTRANGLEUR..

Remarque : Il n'est pas nécessaire d'utiliser l'étrangleur avec un moteur chaud.

Remarque : Certains moteurs sont équipés d'une commande d'étrangleur séparée.

Remarque : Certains moteurs sont équipés d'une fonction ReadyStart® et n'ont pas d'étrangleur.

3. Insérer la clé de contact dans le contacteur d'allumage et la tourner à la position DÉMARRAGE.
4. Une fois que le moteur démarre, fermer l'étrangleur (si équipé), et réchauffer le moteur en le faisant fonctionner pendant au moins une minute avant d'embrayer

l'interrupteur de PDF ou de conduire la tondeuse autoportée.

5. Une fois le moteur chaud, TOUJOURS utiliser la tondeuse autoportée à plein régime du moteur lors de la tonte.

En cas d'urgence, le moteur peut être arrêté en tournant simplement le contacteur d'allumage sur ARRÊT. Suivre cette méthode uniquement en situations d'urgence. Pour l'arrêt normal du moteur, suivre la procédure indiquée dans Arrêt de la tondeuse autoportée et du moteur . **Arrêt de la tondeuse autoportée et du moteur .**

Arrêt de la tondeuse

1. Ramener les leviers de déplacement au sol au milieu (ou à la position (or *Neutre « N »*) pour arrêter le mouvement de la tondeuse. Faire pivoter les leviers vers l'extérieur pour les verrouiller à la position DÉMARRAGE/STATIONNEMENT.

Remarque : Déplacer les leviers de vitesse de déplacement à la position DÉMARRAGE/STATIONNEMENT engage automatiquement le frein de stationnement.

2. Désengager la prise de force en poussant vers le bas le commutateur de la prise de force.
3. Déplacer la commande de régime du moteur à la position LENT et tourner l'interrupteur d'allumage à ARRÊT. Retirer la clé.

Conduite

Pratique de conduite à braquage zéro

Avant de tenter de conduire une tondeuse à braquage zéro, veuillez lire la section des *Caractéristiques et commandes* et comprendre l'emplacement et les fonctions de toutes les commandes de la machine.

Les leviers de vitesse de déplacement de la tondeuse autoportée à braquage zéro sont réceptifs et l'apprentissage d'un contrôle efficace et souple de la tondeuse autoportée en marche avant, arrière et de braquage demandera de la pratique.

Passer un peu de temps à revoir les manœuvres illustrées et à connaître comment accélère, se déplace et se dirige la machine **avant de commencer à tondre**, est indispensable pour tirer le meilleur parti de la tondeuse à braquage zéro.

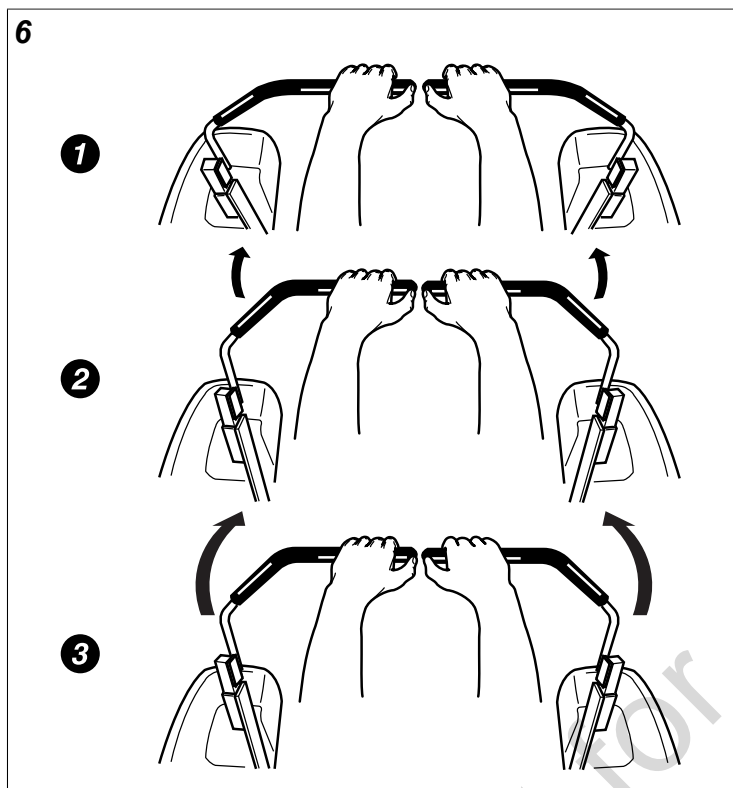
Trouver un endroit plat, lisse sur votre pelouse, où il y a suffisamment de place pour faire des manœuvres. Dégager l'endroit de tout objet, personne et animaux avant de commencer. Utiliser la machine à un régime moyen du moteur pendant la pratique (TOUJOURS utiliser le plein régime du moteur pendant la tonte), et tourner doucement afin d'éviter le glissement des pneus et les dommages à votre pelouse.

Nous vous suggérons de commencer par la procédure **Course souple** puis d'avancer vers les manœuvres avancer, reculer et tourner.

déplacement souple

Les commandes du levier de la tondeuse autoportée à braquage zéro sont réceptives.

La MEILLEURE méthode pour manipuler les leviers de vitesse de déplacement au sol est en trois étapes – comme illustré dans la figure 6.



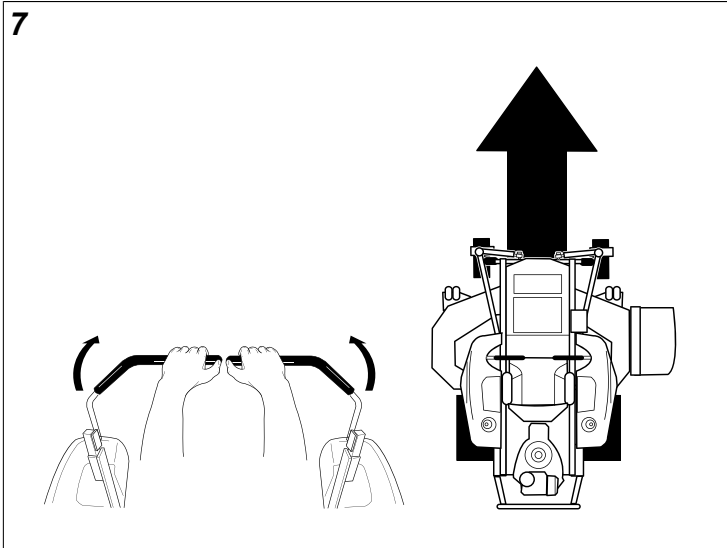
PREMIÈREMENT, placer les mains sur les leviers tel qu'illustré.

DEUXIÈMEMENT, pour aller vers l'avant, pousser graduellement les leviers vers l'avant avec les paumes.

TROISIÈMEMENT, pour accélérer, déplacer les leviers plus loin vers l'avant. Pour ralentir doucement, déplacer lentement les leviers vers le point mort.

Conduite de base

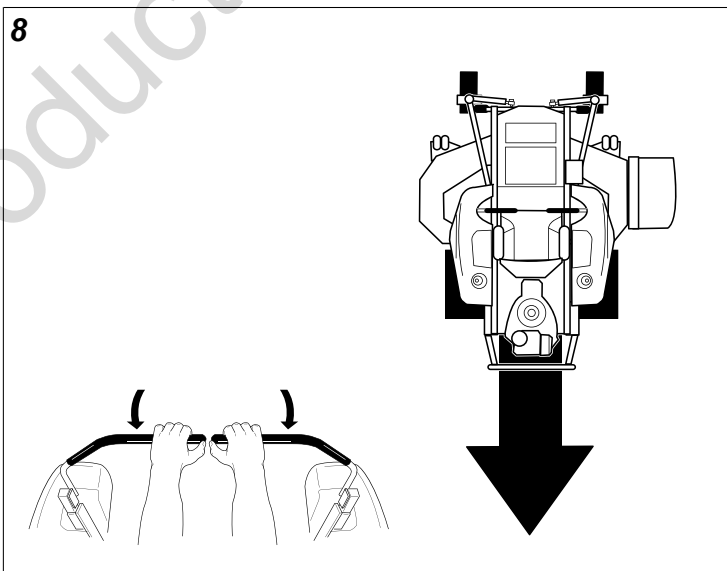
Pratique de course vers l'avant



Déplacer graduellement les deux leviers de vitesse de déplacement au sol – de façon égale **VERS L'AVANT** à partir du point mort. Ralentir et répéter.

REMARQUE : La marche avant demande de la pratique. Au besoin, l'équilibrage de la vitesse supérieure peut être réglé – se reporter à la section Réglage de l'équilibrage de vitesse dans la section des ajustements vers l'arrière de ce manuel.

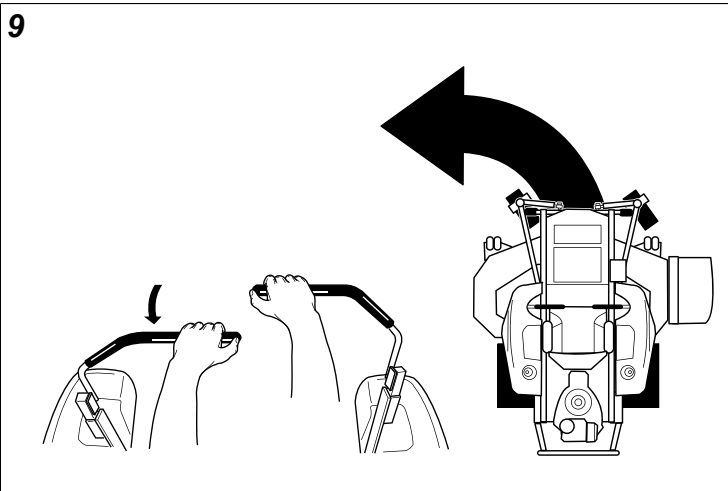
Pratique de la marche arrière



REGARDER VERS LE BAS et DERRIÈRE, puis déplacer graduellement les deux leviers de vitesse de déplacement au sol de façon égale vers l'**ARRIÈRE** à partir du point mort. Ralentir et répéter.

REMARQUE : Pratiquer la marche arrière pendant plusieurs minutes avant d'approcher des objets. La tondeuse autoportée tourne aussi brusquement en marche arrière et vers l'avant, reculer tout droit en marche arrière demande de la pratique.

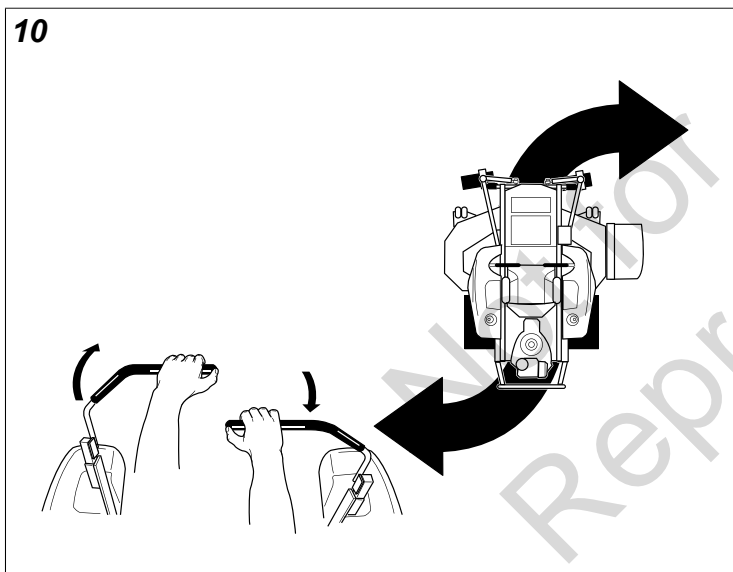
Pratique d'un braquage autour d'un coin



Pendant une course vers l'avant, permettre un levier de revenir graduellement au point mort. Répéter plusieurs fois.

REMARQUE : pour éviter de pivoter directement sur la bande de roulement d'un pneu, il est préférable de maintenir le roulement des deux roues légèrement vers l'avant.

Pratique d'un braquage sur place

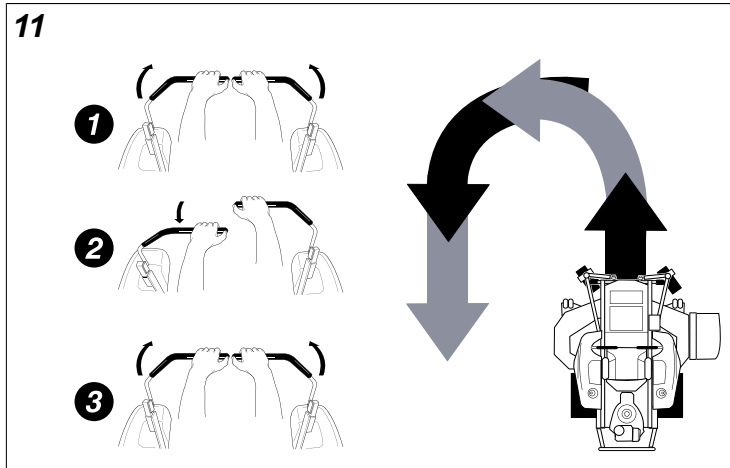


Pour un braquage sur place, « braquage zéro », déplacer graduellement un levier de vitesse de déplacement au sol vers l'avant et un levier de vitesse de déplacement vers l'arrière à partir du point mort simultanément. Répéter plusieurs fois.

REMARQUE : Le changement dans la longueur du trajet que chaque levier est poussé – vers l'avant ou tiré vers l'arrière, modifie le « point de pivot » du virage.

Conduite avancée

Effectuer un braquage zéro à la fin d'une rangée



L'habilité unique de votre tondeuse autoportée à braquage zéro de tourner sur place vous permet de faire demi-tour à la fin de la rangée de tonte plutôt que de faire un tour en Y avant de commencer une nouvelle rangée.

Par exemple, pour effectuer un braquage zéro vers la gauche à la fin d'une rangée :

1. Ralentir à la fin de la rangée.
2. Déplacer légèrement le levier de vitesse de déplacement au sol DROIT vers l'avant tout en déplaçant le levier de vitesse de déplacement au sol GAUCHE vers l'arrière jusqu'au centre, puis légèrement vers l'arrière à partir du centre.
3. Commencer la tonte vers l'avant de nouveau.

Cette technique braque la tondeuse autoportée à GAUCHE et chevauche légèrement la rangée précédemment coupée – éliminant le besoin de faire marche arrière pour couper l'herbe non coupée.

À mesure que vous découvrez et prenez de l'expérience avec la tondeuse autoportée à braquage zéro, vous apprendrez à la manoeuvrer de façon à faciliter la tonte et la rendre plus agréable.

Garder en mémoire, plus il y a de la pratique, mieux sera le contrôle de la tondeuse à braquage zéro!

Tonte

1. S'assurer que l'interrupteur de prise de force est désengagé, que les leviers de vitesse de déplacement sont verrouillés dans leur position DÉMARRAGE/ STATIONNEMENT et que l'opérateur est assis sur le siège.
2. Démarrer le moteur. Consulter **Démarrage du moteur**.
3. Régler la hauteur de coupe de la tondeuse. Consulter **Réglage de la hauteur de coupe**.
4. Régler la commande de régime du moteur à RAPIDE.
5. Engager la prise de force en tirant vers le haut le commutateur de prise de force.
6. Faire pivoter les leviers de vitesse de déplacement vers l'intérieur à partir de la position DÉMARRAGE/ STATIONNEMENT à la position point mort « N ».

7. Commencer à tondre. Consulter **Sécurité de l'utilisateur** pour obtenir des conseils sur les bonnes pratiques de tonte.
8. Une fois terminé, désengager la prise de force.
9. Arrêter le moteur. Consulter **Arrêt de la tondeuse autoportée et du moteur**.

Fixation d'une remorque

Fixez la remorque avec une goupille de remorquage de taille appropriée (A, Figure 12) et d'une pince (B). Consulter **Sécurité de l'utilisateur** pour obtenir des renseignements sur plus de sécurité concernant les remorques et le remorquage.

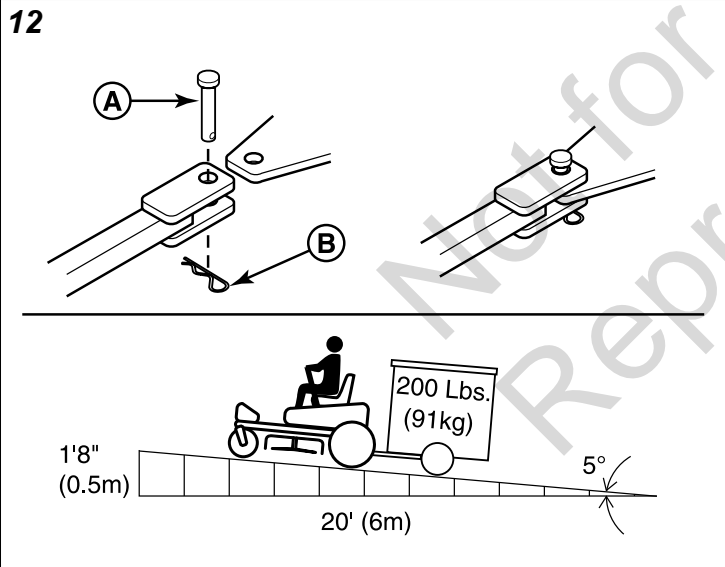


AVERTISSEMENT

Risque lié au remorquage

Des charges remorquées peuvent être dangereuses et provoquer une perte de traction et une perte de contrôle sur les pentes.

- Le poids brut max. (remorque et charge) de la remorque est 200 lb (91 kg).
- Ne pas utiliser sur des pentes de plus de 5 degrés.
- Réduire la vitesse et faire preuve d'une extrême prudence sur les pentes.



Réglage de la hauteur de coupe (type à broche)

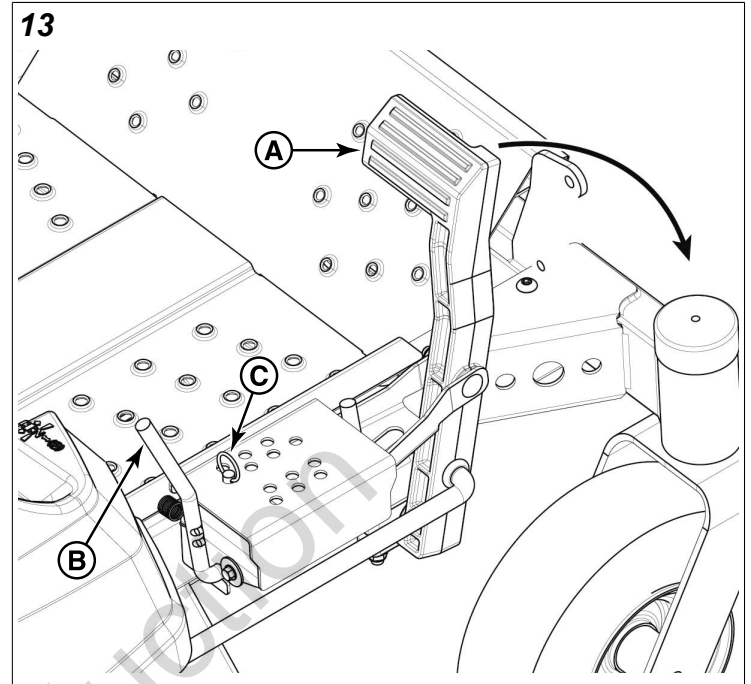
La pédale d'ajustement de la hauteur de coupe ajuste la hauteur de coupe de la tondeuse. Vous reporter aux **Spécifications** pour la plage de réglage de la hauteur de coupe.

Pour régler la hauteur de coupe :

1. Enfoncer complètement la pédale d'ajustement de la hauteur de coupe (A, Figure 13) jusqu'à ce que la tige de dégagement de transport (B) verrouille le plateau à sa position la plus haute (position de transport).
2. Enlever la goupille (C, Figure 13) du support de réglage, et l'insérer dans le trou désiré.

Remarque : S'assurer que la goupille est insérée dans les trous sur les plaques supérieure et inférieure du support de réglage.

3. Enfoncer la pédale d'ajustement de la hauteur de coupe, déplacer la tige de dégagement de transport vers l'extérieur, et relâcher lentement la pédale jusqu'à ce qu'elle soit contre la goupille.

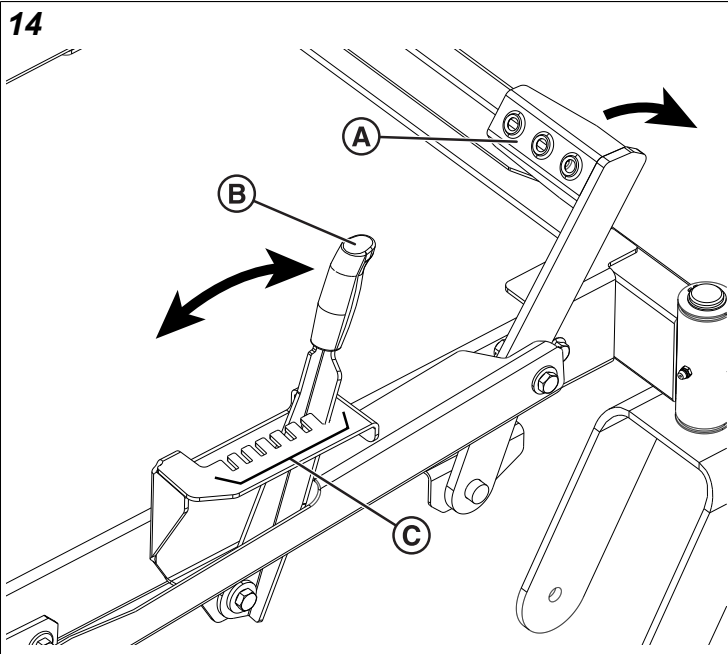


Réglage de la hauteur de coupe (type à fente)

La pédale d'ajustement de la hauteur de coupe ajuste la hauteur de coupe de la tondeuse. Vous reporter aux **Spécifications** pour la plage de réglage de la hauteur de coupe.

Pour régler la hauteur de coupe :

1. Enfoncer complètement la pédale d'ajustement de la hauteur de coupe (A, Figure 14).
2. Placer le levier de réglage de hauteur de coupe (B, Figure 14) sur la fente de hauteur de coupe souhaitée (C).
3. Relâcher lentement la pédale de réglage de hauteur de coupe.



Benne (certains modèles)

La benne est conçue pour transporter jusqu'à 22,7 kg (50 lb). Les fentes dans l'arrière de la benne accommoderont un 2 x 4 ou 2 x 6 pour aider à fixer les charges durant le transport.



AVERTISSEMENT

Risque d'amputation

Les lames rotatives coupent les bras et les jambes. Ne jamais transporter des personnes (particulièrement des enfants), même si les lames sont enlevées. Ils pourraient tomber ou monter dessus pour faire un autre tour lorsque vous ne vous y attendez pas.



AVERTISSEMENT

Perte de contrôle et risque de renversement

Utiliser avec des charges dans la benne de plus de 50 lb peut être dangereux et peut causer une perte de contrôle et des renversements.

La benne peut être soulevée pour accéder au compartiment moteur sans avoir à l'enlever.

Pour soulever la benne

1. Lever le siège (A, Figure 15).
2. Puis tirer fermement vers le haut sur l'arrière de la benne (B, Figure 15).
3. Pour abaisser la benne, appuyer fermement vers le bas pour fixer l'arrière de la benne en place avec les pinces de verrouillage (D).

Pour retirer la benne

1. Retirer les goupilles (C, Figure 15) fixant le devant de la benne au châssis de la tondeuse autoportée.

2. Tirer fermement sur l'arrière de la benne pour libérer les pinces de verrouillage (D, Figure 15).
3. Soulever et retirer la benne de la tondeuse autoportée.



ATTENTION

Pour éviter des blessures, de l'aide est requise pour retirer ou installer la benne.

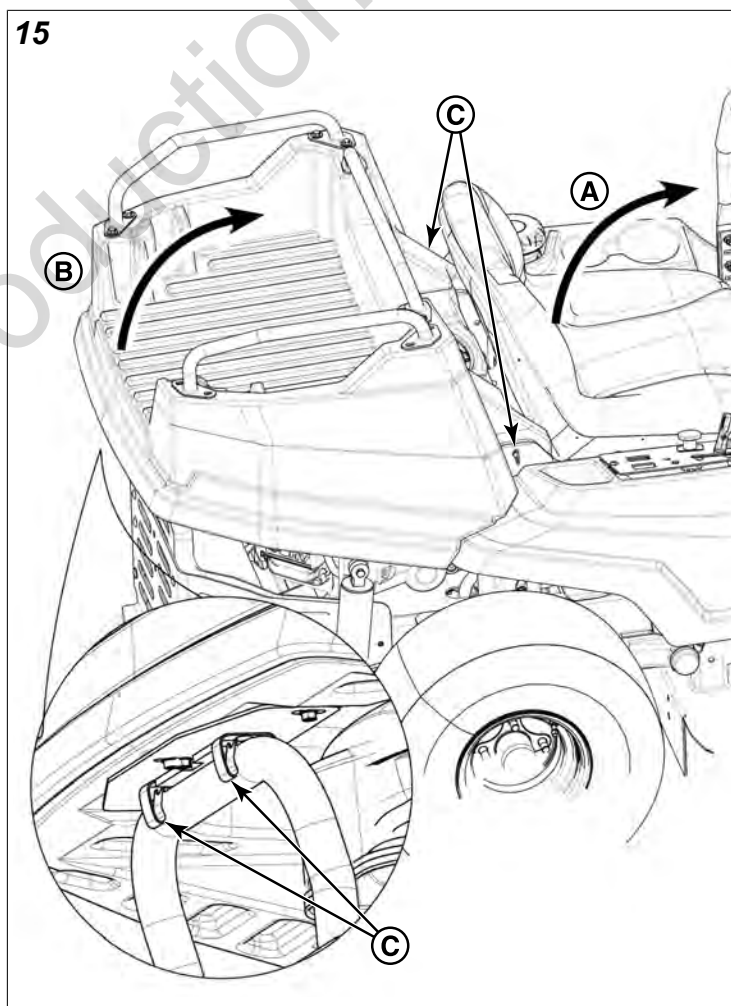
Pour installer la benne

1. Positionner la benne sur le compartiment moteur, en alignant les trous dans l'avant de la benne aux trous dans les supports du corps.
2. Installer les goupilles (C, Figure 15) dans les trous.
3. Pour abaisser l'arrière de la benne, appuyer fermement vers le bas pour fixer avec les pinces de verrouillage (D, Figure 15).



ATTENTION

Pour éviter des blessures, de l'aide est requise pour enlever ou installer la benne.



Ajustement de la suspension (si équipé)

L'assemblage des amortisseurs (A, Figure 16 - devant illustré, arrière semblable) peut être ajusté pour varier la quantité de pré-charge appliquée aux ressorts. Ceci permet

à l'opérateur de personnaliser la conduite selon le poids de l'opérateur et les conditions d'utilisation.

Moins de précharge :

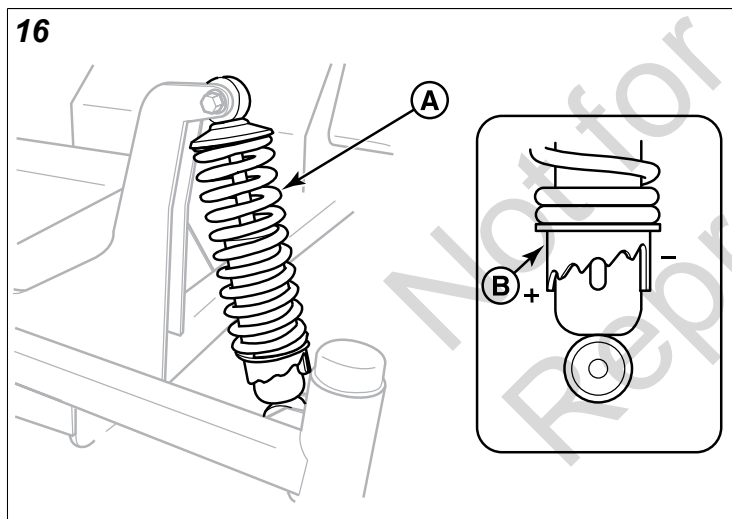
- Poids léger de l'opérateur
- Conduite plus douce, plus coussinée
- Meilleur pour un terrain relativement plat

Plus de précharge :

- Poids lourd de l'opérateur
- Conduite plus rude, plus rigide
- Meilleure manipulation et plus grande stabilité sur un terrain vallonné

Pour ajuster la précharge de ressort :

1. Placer la machine sur une surface plate, nivelée. Désengager la PDF, pivoter les leviers de vitesse de déplacement vers l'extérieur à la position DÉMARRAGE/STATIONNEMENT, et arrêter le moteur.
2. Tourner le collier d'ajustement de précharge (B, Figure 16) à une encoche plus haute (-) pour diminuer la précharge ou à une encoche plus basse (+) pour augmenter la précharge. S'assurer que tous les amortisseurs sont réglés à la même quantité de précharge.



Entretien

Calendrier d'entretien



AVERTISSEMENT



Une étincelle accidentelle peut entraîner un incendie ou un choc électrique.

Un démarrage accidentel peut entraîner un emmêlement, une amputation traumatique ou une lacération.

Avant d'effectuer des réglages ou des réparations :

- Débrancher le câble de bougie et le garder à l'écart de la bougie.
- Débrancher la batterie à la borne négative (uniquement sur les moteurs munis de démarreur électrique).
- Utiliser uniquement des outils appropriés.
- Ne pas altérer le ressort du régulateur, la tringlerie ou toute autre pièce pour augmenter le régime du moteur.
- Les pièces de rechange doivent être de la même conception et installées dans la même position que les pièces d'origine. D'autres pièces peuvent ne pas fonctionner aussi bien, peuvent endommager la machine et peuvent entraîner des blessures.
- Ne pas frapper le volant-moteur avec un marteau ni un objet dur, car le volant-moteur pourrait éclater pendant le fonctionnement.

TONDEUSE AUTOPORTÉE ET TONDEUSE

Toutes les 8 heures ou chaque jour

Vérifier le système de verrouillage de sécurité

Nettoyer les débris de la tondeuse autoportée et du plateau de coupe

Nettoyer les débris du compartiment moteur

Toutes les 25 heures ou une fois par année *

Vérifier le temps d'arrêt de la lame de coupe

Vérifier la tondeuse autoportée et la tondeuse pour la présence d'éléments desserrés

Vérifier la pression des pneus

Toutes les 50 heures ou une fois par année *

Vérifier les freins de la tondeuse autoportée

Nettoyer la batterie et les câbles

Voir le concessionnaire tous les ans pour

Lubrifier la tondeuse autoportée et la tondeuse

Vérifier les lames de la tondeuse **

* Selon la première éventualité

** Vérifier les lames plus souvent dans les régions aux sols sablonneux ou quand il y a beaucoup de poussière.

MOTEUR

Les 5 premières heures

Changement de l'huile moteur

Toutes les 8 heures ou chaque jour

Vérifier le niveau d'huile du moteur

Toutes les 25 heures ou une fois par année *

Nettoyer le filtre à air et le dépoussièrereur du moteur **

MOTEUR
Toutes les 50 heures ou une fois par année *
Changement de l'huile moteur
Remplacer le filtre à huile
Tous les ans
Remplacer le filtre à air
Remplacer le filtre de prénettoyage
Voir le concessionnaire tous les ans pour
Inspecter le silencieux et le pare-étincelles
Remplacez la bougie d'allumage
Remplacer le filtre à carburant
Nettoyer le système de refroidissement d'air du moteur

* Selon la première éventualité

** Nettoyer plus souvent quand il y a beaucoup de poussière ou des débris emportés par le vent.

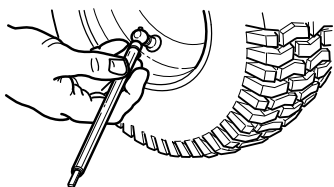
Service de contrôle des émissions

L'entretien, le remplacement ou la réparation du système de contrôle des émissions et de ses dispositifs peuvent être effectués par tout établissement de réparations de moteur hors route ou par une personne. Cependant, pour obtenir un service après-vente « gratuit » du contrôle des émissions, le travail doit être effectué par un revendeur agréé de l'usine. Vous reporter aux Émissions Déclarations de contrôle.

Vérifier les pressions des pneus

La pression des pneus doit être vérifiée périodiquement (vous reporter à la figure 17) et maintenue aux niveaux indiqués dans le tableau des **spécifications**. Noter que ces pression risquent de différer légèrement du « gonflage maximum » indiqué sur le flanc des pneus. Les pressions illustrées procurent une bonne traction et prolongent la durée de vie du pneu.

17



Vérification du temps d'arrêt de la lame

Les lames de coupe et leur courroie d'entraînement doivent s'arrêter complètement dans les cinq secondes qui suivent la coupure de l'interrupteur de PDF.



AVERTISSEMENT

Risque de fonctionnement non sécuritaire

Si la lame de la tondeuse ne s'arrête pas complètement en 5 secondes, la lame doit être ajustée. Ne pas utiliser la machine avant que les réglages appropriés aient été effectués par un concessionnaire agréé.

Vérifier que la lame de tondeuse fonctionne bien. Consultez Tests du système d'interverrouillage de sécurité. La lame devrait arrêter de tourner en 5 secondes ou moins après avoir déplacé la commande de la lame en position ARRÊT (OFF).

Entretien de la batterie



AVERTISSEMENT



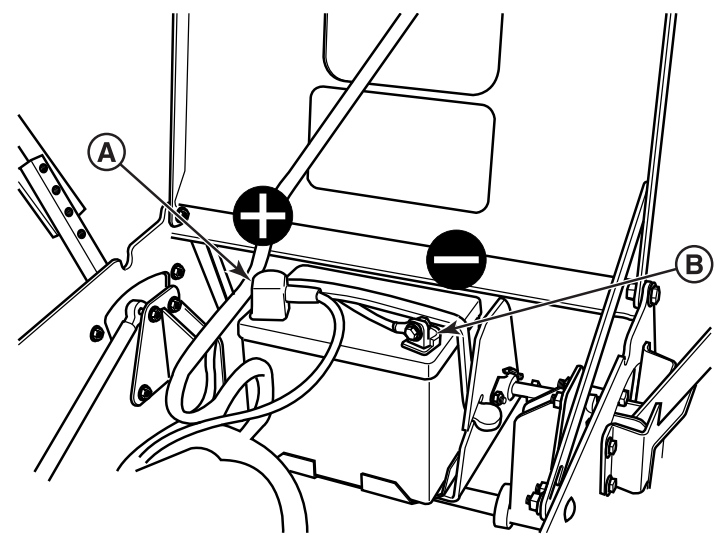
Risque d'incendie et d'explosion.

Lors de l'installation ou du retrait des câbles de batterie, débrancher EN PREMIER le câble négatif et le rebrancher EN DERNIER. Si cette procédure est effectuée dans l'ordre inverse, la borne positive risque d'être court-circuitée au châssis par un outil.

Nettoyage de la batterie et des câbles

- Débrancher les câbles de la batterie en commençant par le câble négatif (B, Figure 18).
- Nettoyer les bornes de la batterie et les extrémités des câbles avec une brosse métallique jusqu'à ce qu'elles brillent.
- Réinstaller la batterie et rebrancher les câbles de batterie en commençant par le câble positif (A, Figure 18).
- Enduisez les extrémités des câbles et les bornes de batterie avec de la vaseline ou une graisse non conductrice.
- S'assurer de replacer le couvre-bornes sur la borne positive de la batterie (A, Figure 18).

18



Recharge de la batterie



AVERTISSEMENT
Risque d'incendie et d'explosion.

Tenir la batterie à l'écart des flammes nues et des étincelles; les gaz émanant sont hautement explosifs. Bien ventiler la batterie pendant sa recharge.

Une batterie morte ou trop faible pour faire démarrer le moteur peut être le résultat d'un système de charge ou de toute autre composante électrique défectueux. En cas de doute sur la cause du problème, communiquer avec votre concessionnaire.

Pour recharger la batterie, suivre les instructions fournies par le fabricant du chargeur de batterie ainsi que tous les avertissements figurant dans la section Sécurité de l'utilisateur du présent manuel. **Sécurité de l'utilisateur** section de ce manuel Recharger la batterie jusqu'à sa charge maximale. Ne pas recharger à une puissance supérieure à 10 A.

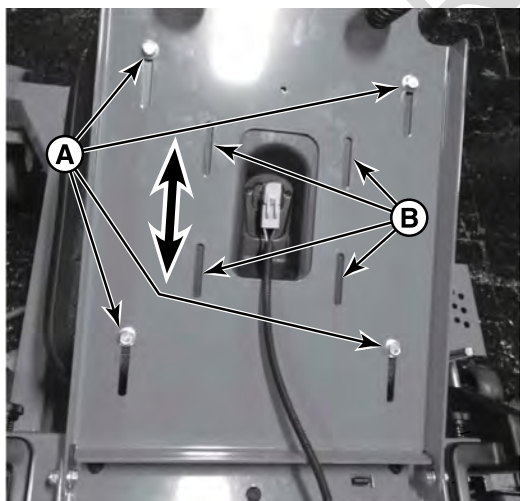
Réglages du siège et des leviers de vitesse de déplacement

Le siège et les leviers de vitesse de déplacement doivent être réglés de façon à ce que les leviers de vitesse de déplacement puissent être déplacés librement sans toucher les jambes de l'utilisateur.

Réglage du siège

1. Soulever le siège.
2. Desserrer le matériel de réglage (A ou B, Figure 19, selon le type de siège) sous la base du siège.
3. Glisser le siège vers l'avant ou l'arrière à la position voulue.
4. Serrer le matériel avec 80 po-lb (9 Nm).

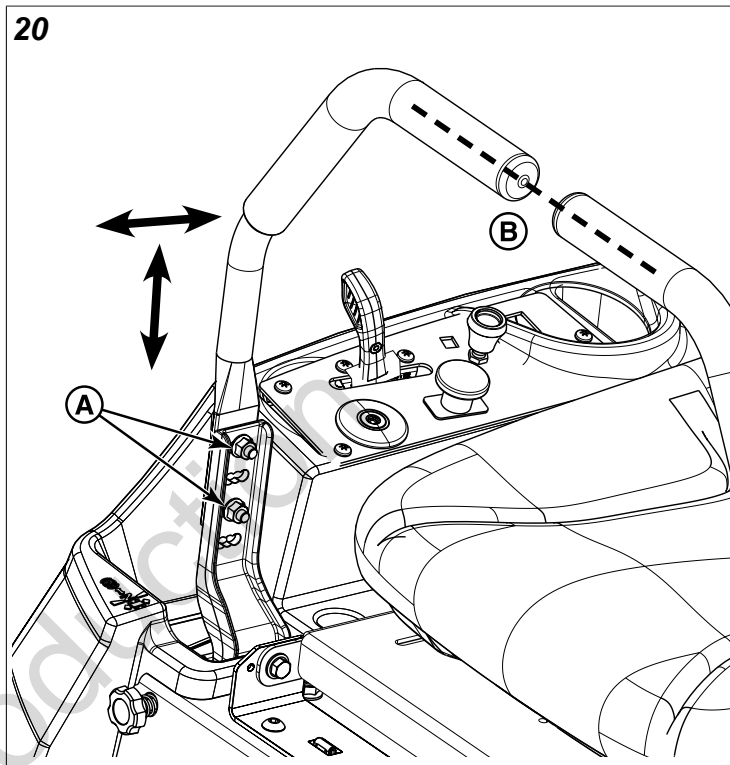
19



Réglage des leviers de vitesse de déplacement

1. Desserrer la quincaillerie de du levier de vitesse de déplacement (A, Figure 20) pour ajuster les leviers avant et arrière.
2. Retirer le matériel pour lever ou baisser les leviers.
3. Toujours s'assurer de régler les deux leviers afin qu'ils soient alignés (B, Figure). 20).
4. Une fois le réglage terminé, serrer le matériel à 18 Nm (13 pi-lb).

20



Réglage de l'équilibrage de vitesse (Alignement)

Si la tondeuse autoportée dérive vers la droite ou vers la gauche lorsque les leviers de vitesse de déplacement sont à leur position maximale en marche avant, la vitesse maximale de chacun de ces leviers peut être équilibrée. Régler uniquement la vitesse de la roue qui effectue la course plus vite.

1. Serrer le bouton (A figure 21) de la roue plus rapide par incréments de 1/2 tour (dans le sens horaire) jusqu'à ce que la tondeuse autoportée se déplace en ligne droite.

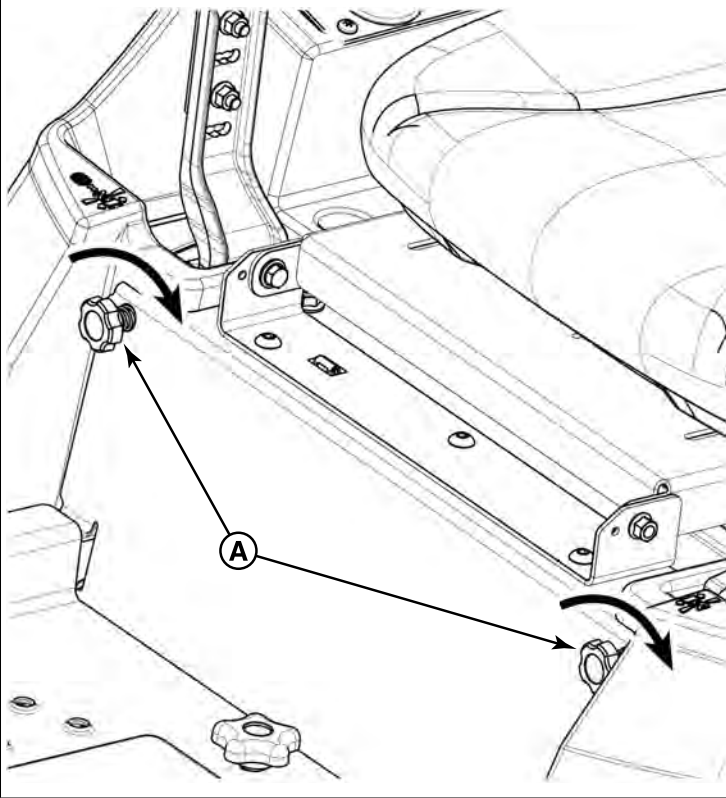


AVERTISSEMENT

Risque de fonctionnement non sécuritaire

NE PAS régler la tondeuse autoportée à une plus grande vitesse en marche avant ou arrière que celle pour laquelle elle a été conçue.

21



Installation et retrait de la tondeuse

Consulter le Manuel du châssis de la tondeuse pour obtenir des instructions sur l'installation et le retrait du châssis de la tondeuse.

Mise à niveau du plateau de la tondeuse

Consulter le Manuel du châssis de la tondeuse pour obtenir des instructions sur la mise à niveau du châssis de la tondeuse.

Changer l'huile

L'huile vidangée est un produit de résidus dangereux et doit être jetée de façon appropriée. Ne pas la jeter avec les déchets ménagers. Vérifier avec les autorités locales, les centres de services ou les revendeurs pour connaître l'endroit où se trouvent les installations d'élimination des déchets ou de recyclage.

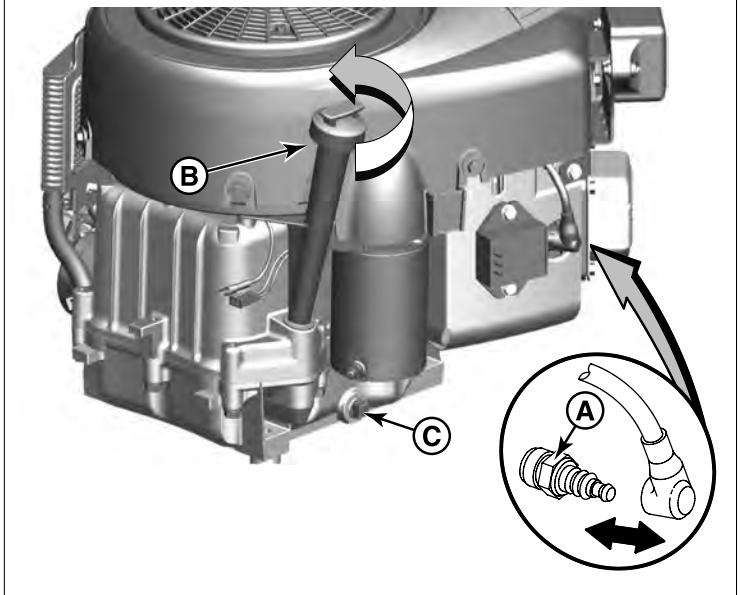
Vidanger l'huile

1. Lorsque le moteur est arrêté, mais encore chaud, déconnecter le câble de la bougie (A, Figure 22) et le tenir à l'écart de la bougie d'allumage.
2. Déposer le bouchon de la jauge (B, Figure 22).

Bouchon de vidange d'huile standard

1. Retirer le bouchon de vidange d'huile (C, Figure 22) Vidanger l'huile dans un récipient approuvé.
2. Une fois que l'huile est vidangée, installer et serrer le bouchon de vidange d'huile.

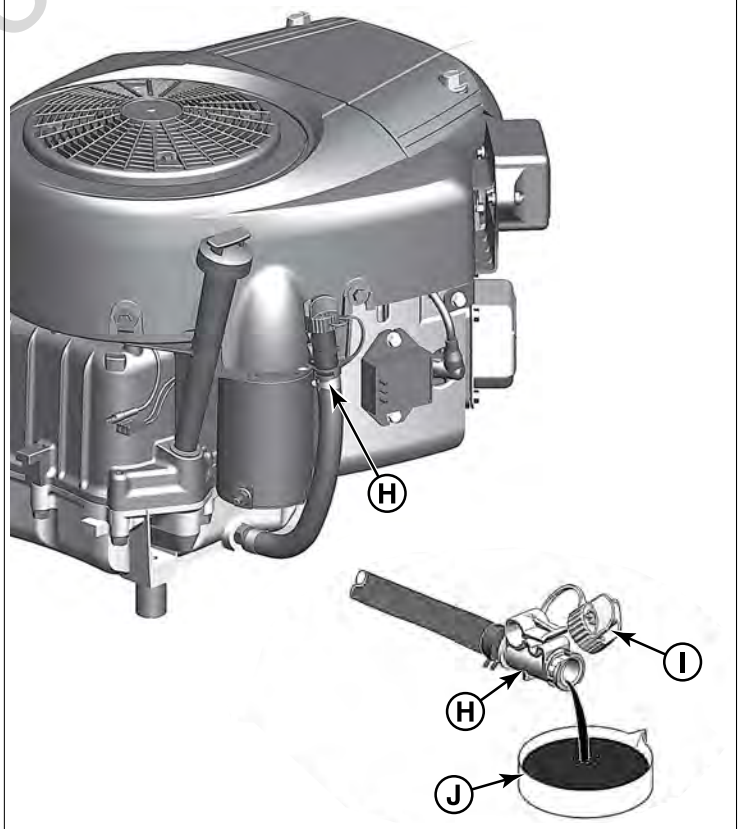
22



Vidange d'huile rapide en option

1. Déconnecter le tuyau flexible de purge d'huile (H, Figure 23) depuis le côté du moteur.
2. Tourner et déposer le bouchon de vidange (I, Figure 23) Abaisser lentement le flexible de vidange d'huile rapide (H) dans un contenant approuvé (J).
3. Une fois l'huile vidangée, installer le bouchon de vidange d'huile. Attacher le tuyau flexible de vidange d'huile sur le côté du moteur.

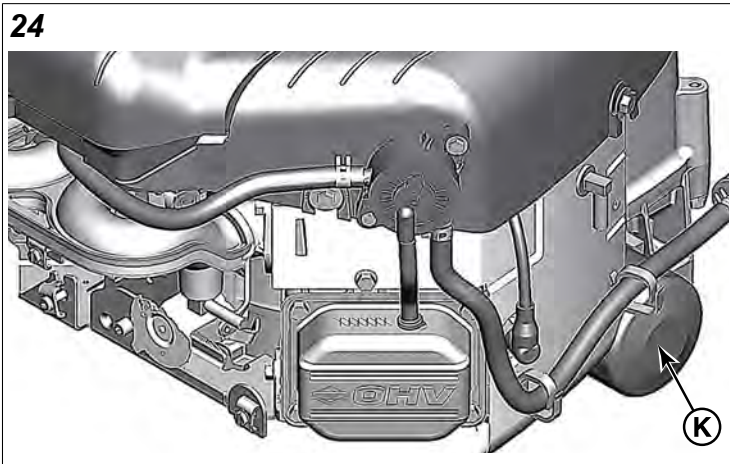
23



Changer le filtre à huile

Pour les intervalles de remplacement, voir le **Calendrier d'entretien**.

1. Vidanger l'huile du moteur. Consulter **Vidanger l'huile**.
2. Retirer le filtre à huile (K, Figure 24) et le jeter de façon adéquate.



3. Avant l'installation du nouveau filtre à huile, lubrifier légèrement le joint d'étanchéité du filtre à l'huile avec de l'huile fraîche et propre.
4. Installer le filtre à huile à la main jusqu'à ce que le joint d'étanchéité touche l'adaptateur de filtre à huile, puis serrer le filtre à huile de 1/2 à 3/4 de tour.
5. Ajouter de l'huile. Consulter **Utilisation - section**.
6. Démarrer et faire fonctionner le moteur. Vérifier s'il y a des fuites d'huile lorsque le moteur se réchauffe.
7. Arrêter le moteur et vérifier le niveau d'huile.

Entretien du filtre à air



AVERTISSEMENT
Risque d'incendie et d'explosion

Le carburant et ses vapeurs sont extrêmement inflammables et explosifs.

Un incendie ou une explosion peut provoquer des brûlures graves, voire la mort.

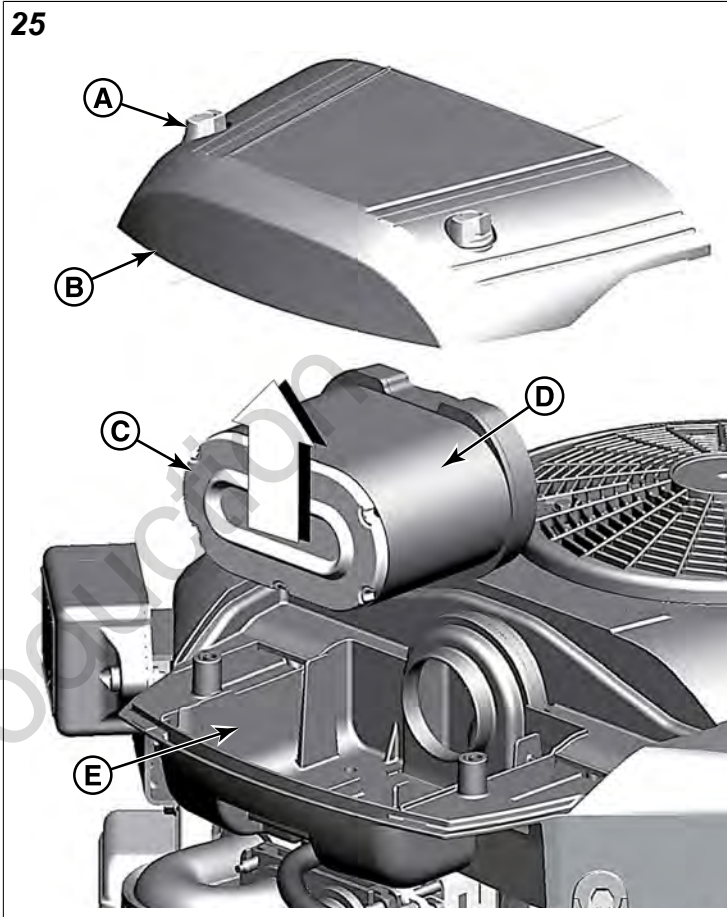
- Ne jamais démarrer ni faire fonctionner le moteur avec l'ensemble filtre à air ou le filtre à air enlevé.

AVIS

Ne pas utiliser d'air comprimé ni de solvants pour nettoyer le filtre. L'air comprimé peut endommager le filtre et les solvants peuvent le dissoudre.

1. Desserrer les attaches (A, Figure 25) et retirer le couvercle (B).
2. Pour retirer le filtre (C, Figure 25), soulever l'extrémité du filtre.
3. Retirer le préfiltre (D, figure 25), le cas échéant, du filtre.

4. Pour faire tomber les débris, tapoter doucement le filtre sur une surface dure. Si le filtre est excessivement colmaté, remplacez-le par un neuf.
5. Lavez le dépoussiéreur au détergent liquide et à l'eau. Le laisser ensuite sécher complètement à l'air. Ne pas huiler le dépoussiéreur.
6. Assembler le dépoussiéreur sec au filtre.
7. Installer le filtre dans la base du moteur (E, Figure 25) puis pousser jusqu'à ce que le filtre s'encliquète.
8. Installer le couvercle.



Entretien du filtre à air

Voir la Figure : 26



AVERTISSEMENT
Le carburant et ses vapeurs sont extrêmement inflammables et explosifs.

Un incendie ou une explosion peut provoquer des brûlures graves voire la mort.

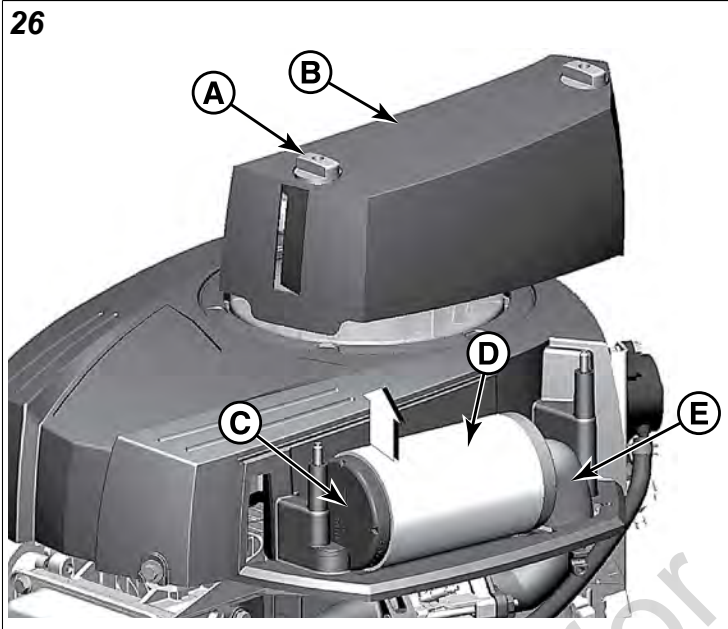
- Ne jamais démarrer ou faire fonctionner le moteur lorsque le dépoussiéreur (si la tondeuse en est équipée) ou le filtre à air (si la tondeuse en est équipée) est retiré.

AVIS Ne pas utiliser de l'air comprimé ou solvants pour nettoyer le filtre. L'air comprimé peut endommager le filtre et les solvants peuvent le dissoudre.

Pour les exigences de service, voir le **Calendrier d'entretien**

Différents modèles utilisent : les uns, un filtre de mousse, les autres un filtre de papier. Certains modèles peuvent également avoir un préfiltre optionnel qui peut être lavé et réutilisé. Comparer les illustrations du présent manuel avec le type installé sur votre moteur et faire la maintenance correspondante.

1. Desserrer les attaches (A, Figure 26).



2. Déposer le couvercle (B, Figure 26).
3. Pour déposer le filtre (C, Figure 26), soulever l'extrémité du filtre et puis tirer le filtre hors de l'entrée (E).
4. Pour faire tomber les débris, tapoter doucement le filtre (C, Figure 26) sur une surface dure. Si le filtre est excessivement colmaté, le remplacer par un neuf.
5. Retirer le préfiltre (D, Figure 26), le cas échéant, du filtre (C).
6. Laver le préfiltre (D, Figure 26) au détergent liquide et à l'eau. Le laisser sécher à l'air libre. **Ne pas** huiler le préfiltre.
7. Assembler le préfiltre sec (D, Figure , 26, le cas échéant) au filtre (C).
8. Installer le filtre (C, Figure 26) sur l'entrée (E). Repousser l'extrémité du filtre dans la base. S'assurer que le filtre est bien ajusté et maintenu en place dans la base.
9. Reposer le couvercle (B, Figure 26) et fixer à l'aide des attaches (A). Assurez-vous que les fixations sont vissées solidement.

Vérifier la bougie d'allumage



Une étincelle accidentelle peut entraîner un incendie ou un choc électrique.

Un démarrage accidentel peut entraîner un emmêlement, une amputation traumatique ou une laceration.

Lors de l'essai de bougie d'allumage :

- Utiliser un vérificateur de bougies d'allumage approuvé.
- Ne pas vérifier l'allumage lorsque la bougie d'allumage est enlevée.

AVIS

Les bougies d'allumage ont des plages de chaleur différentes. Il est important qu'une bougie d'allumage appropriée soit utilisée, sinon des dommages au moteur peuvent se produire. Remplacer la bougie par le même type ou son équivalent.

Nettoyer la bougie d'allumage

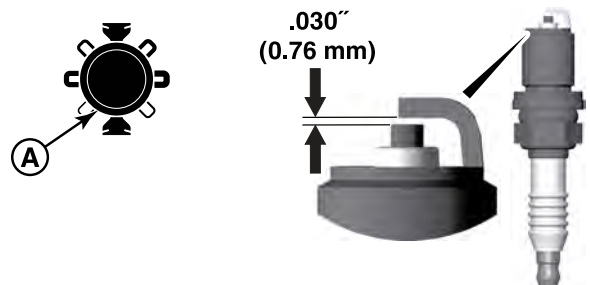
Nettoyer la bougie d'allumage avec une brosse métallique et un couteau robuste. Ne PAS utiliser d'abrasifs.

Contrôle de l'écartement de la bougie d'allumage

Utiliser une jauge d'épaisseur à lames (A, Figure 27) pour vérifier l'écartement entre les deux électrodes. L'écartement est adéquat lorsque la jauge frotte légèrement en la tirant par l'écartement.

Pour régler l'écartement de la bougie d'allumage, utiliser une jauge à bougie d'allumage et plier délicatement l'électrode courbée. Veiller à ne pas toucher le centre de l'électrode ni la porcelaine.

27



Installer la bougie d'allumage

Serrer la bougie d'allumage avec les doigts, puis avec une clé comme illustré à la Figure 28.

- 180 po-lb (20 Nm), OU
- 1/2 tour lors de l'installation de la bougie d'allumage originale. 1/4 de tour lors de l'installation d'une bougie d'allumage neuve.

28



Déplacement de la tondeuse autoportée à la main

AVERTISSEMENT

Risque de fonctionnement non sécuritaire.

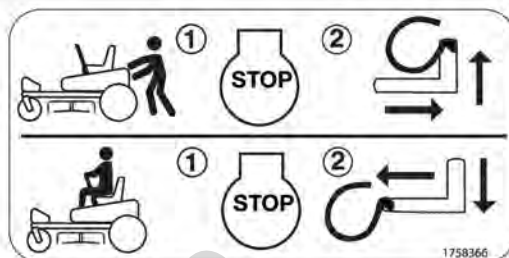
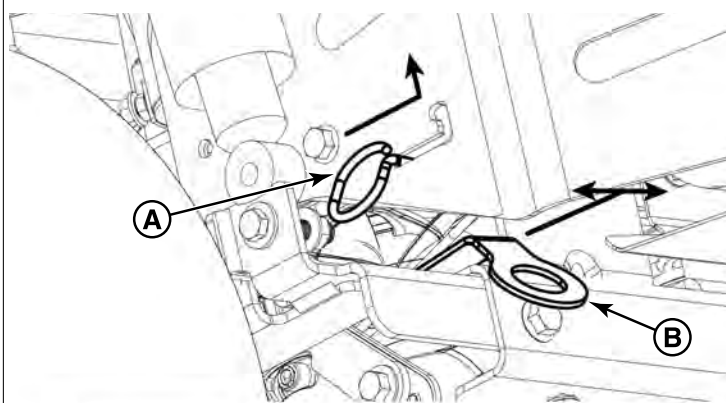
NE PAS désengager les transmissions et descendre les pentes en roue libre. NE PAS utiliser le dégagement de roulement pour désengager les transmissions à moins que le mouvement de la machine puisse être contrôlé et que le moteur est arrêté.

AVIS

Ne pas remorquer la tondeuse autoportée Remorquer la machine endommagera la transmission. Ne pas utiliser un autre véhicule pour pousser ou tirer cette machine.

1. Désengager la prise de force, verrouiller les leviers de vitesse de déplacement dans leur position DÉMARRAGE/ STATIONNEMENT, tourner la clé de contact à ARRÊT, retirer la clé et attendre que toutes les pièces en mouvement s'arrêtent.
2. Pour débrayer les transmissions, déplacer les leviers de roue libre (A ou B, Figure 29, selon le modèle), dans la position POUSSER, comme illustré.
3. Pivoter les leviers de vitesse de déplacement vers l'intérieur à partir de la position DÉMARRAGE/ STATIONNEMENT à la position point mort « N » pour désengager le frein de stationnement. La tondeuse autoportée peut maintenant être poussée à la main.
4. Après avoir déplacé la tondeuse autoportée, engager de nouveau les transmissions en remettant les leviers de dégagement de roulement à la position CONDUIRE.

29



Nettoyage

1. Éliminer la saleté et les débris de la tondeuse autoportée et du châssis de la tondeuse.

Remarque : Certains châssis de tondeuse offrent un point d'accès de rinçage. Consulter **Lavage du plateau de la tondeuse**.

2. Éliminer toute accumulation de débris dans le compartiment moteur et sur ou autour du moteur.

AVERTISSEMENT

Risque d'incendie

Les débris de jardin sont combustibles.

- Éliminer la saleté et les débris de la tondeuse autoportée et du châssis de la tondeuse.
- Nettoyer l'accumulation autour du moteur.

Lavage du plateau de la tondeuse

Le point d'accès de rinçage vous permet de raccorder un boyau d'arrosage de jardin au côté gauche du plateau de la tondeuse pour éliminer l'herbe et les débris du dessous.

AVERTISSEMENT

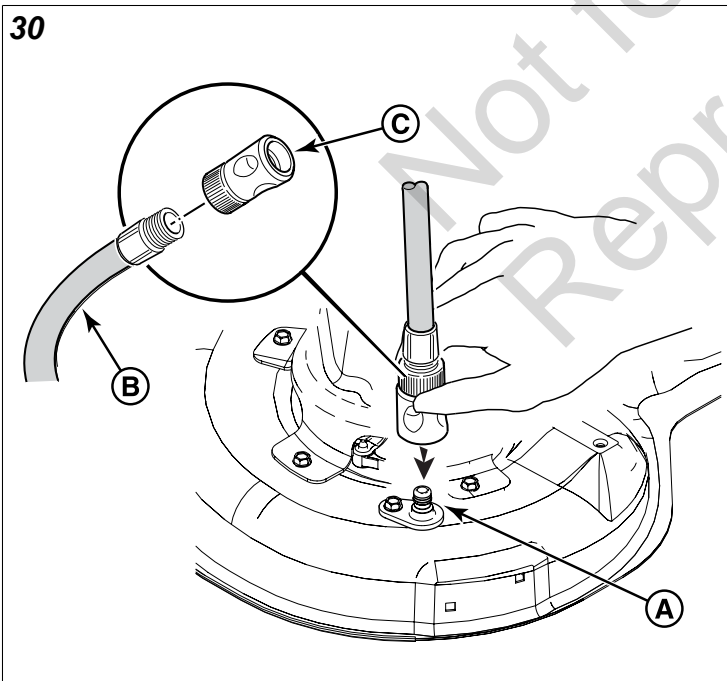


Risque d'amputation et d'objet projeté

Le contact avec les lames de la tondeuse ou des objets projetés par les lames de la tondeuse peut entraîner la mort ou des blessures graves.

- Avant de démarrer la tondeuse, s'assurer que le boyau est correctement raccordé et n'entre pas en contact avec les lames.
- Lorsque la tondeuse est en marche et les lames sont embrayées, la personne qui nettoie le plateau de la tondeuse doit être à la position de l'opérateur et qu'il y a aucun spectateur.

1. Placer l'unité sur une surface plate et de niveau.
2. Attacher la connexion rapide (A, Figure 30) au boyau d'arrosage (B) et raccorder au point d'accès de rinçage (C) sur le plateau de la tondeuse.
3. Utiliser de l'eau pour éliminer l'herbe et les débris du dessous du plateau de la tondeuse.
4. Démarrer la tondeuse et la mettre sur la position de coupe la plus haute.
5. Arrêter la tondeuse.
6. Retirer le boyau d'arrosage et le raccord rapide du point d'accès de rinçage lorsque terminé.



Entreposage



Risque d'incendie et d'explosion

Ne jamais entreposer l'appareil (avec du carburant) dans une structure fermée sans une circulation d'air suffisante. Les vapeurs de carburant peuvent se déplacer vers une source d'inflammation (telle qu'une chaudière, un chauffe-eau, etc.) et entraîner une explosion. Les vapeurs de carburant sont également toxiques pour les humains et les animaux.

Entreposage de carburant ou d'équipement avec du carburant dans le réservoir

- Entreposer loin des fournaies, poêles, chauffe-eau ou autres appareils ménagers ayant une veilleuse ou une autre source d'allumage pouvant enflammer les vapeurs d'essence.

Équipement

Débrayer la PTO, bloquer les leviers de vitesse de déplacement au sol à la position DÉMARRAGE/ STATIONNEMENT et retirer la clé.

La durée de vie de la batterie sera prolongée si elle est retirée. Remiser la batterie dans un endroit frais et sec et la garder complètement chargée durant l'entreposage. Si la batterie est laissée dans la machine, déconnecter le câble négatif.

Huile à moteur

Pendant que le moteur est encore chaud, remplacer l'huile.

Avant le démarrage de la machine après son remisage :

- Contrôler tous les niveaux de liquide. Contrôler tous les points d'entretien.
- Effectuer tous les commandes et procédures recommandées qui se trouvant dans ce manuel.
- Laisser le moteur se réchauffer pendant quelques minutes avant toute utilisation.

Entreposage – Système de carburant

Le carburant peut s'éventer lorsqu'il est conservé dans un réservoir de stockage pendant plus de 30 jours. Chaque fois que vous remplissez le réservoir de carburant, ajoutez un STA-BIL 360[®] PROTECTION™ au carburant tel qu'indiqué dans les directives du fabricant. Ceci maintient la fraîcheur du carburant et réduit les problèmes liés au carburant ou à la contamination dans le système de carburant.

Il n'est pas nécessaire de vidanger le carburant du moteur lorsqu'on ajoute du STA-BIL 360[®] PROTECTION™ selon les directives. Avant l'entreposage, laisser le moteur sur MARCHE pendant deux minutes pour faire circuler le carburant et le stabilisateur dans le système.

Dépannage

Dépannage de la tondeuse autoportée

PROBLÈME	CHERCHER UNE	SOLUTION
Le moteur ne tourne pas ou ne démarre pas.	Les leviers de vitesse de déplacement au sol ne sont pas dans leur position DÉMARRAGE/ STATIONNEMENT.	Verrouiller les leviers de vitesse de déplacement au sol dans leur position DÉMARRAGE/ STATIONNEMENT.
	Commutateur de PTO (embrayage électrique) en position MARCHÉ.	Placer en position ARRÊT.
	Panne de carburant.	Si le moteur est chaud, laisser refroidir et refaire le plein de carburant.
	Moteur noyé.	Ouvrir l'étrangleur (si équipé).
	Bornes de la batterie nécessitant un nettoyage.	Nettoyer les bornes de la batterie.
	Batterie déchargée ou à plat.	Recharger ou changer.
Le moteur démarre difficilement ou tourne mal.	Bougie(s) défectueuse(s), encrassée(s) ou d'écartement incorrect.	Nettoyer et régler l'écartement ou changer.
	Mélange trop riche.	Nettoyer le filtre à air. Vérifier l'étrangleur (si équipé).
Cliquetis du moteur.	Bougie défectueuse, encrassée ou mal écartée.	Nettoyer et régler l'écartement ou changer.
	Niveau d'huile insuffisant.	Contrôler/compléter le niveau d'huile.
Consommation d'huile excessive.	Huile de type incorrect.	Voir Recommandations relatives à l'huile .
	Moteur trop chaud.	Voir les ailettes du moteur, le tamis de soufflante et le filtre à air.
	Excès d'huile dans le carter moteur.	Vidanger l'excédent d'huile.
Fumée d'échappement noire.	Huile de type incorrect.	Voir Recommandations relatives à l'huile .
	Filtre à air encrassé.	Remplacer le filtre à air.
Le moteur fonctionne, mais la tondeuse autoportée n'avance pas.	Commande du starter dans la position fermée.	Ouvrir la commande d'étrangleur (si équipé).
	Transmission(s) désengagée(s).	Déverrouiller le(les) levier(s) de dégagement de roulement.
La courroie d'entraînement de la tondeuse autoportée patine.	Poulies ou courroie grasses ou huileuses.	Nettoyer selon le besoin.
La tondeuse autoportée se manœuvre et braque difficilement.	Tringlerie de direction desserrée.	Vérifier et resserrer toute liaison desserrée.

Pour tous les autres problèmes, communiquer avec un concessionnaire autorisé.

Dépannage de la tondeuse

PROBLÈME	RECHERCHER UNE	SOLUTION
Le carter de coupe ne se relève pas.	Le plateau de coupe n'est pas bien installé.	Consulter Installation et retrait de la tondeuse .
Tonte irrégulière.	Carter de coupe pas de niveau.	Consulter Mise à niveau du plateau de la tondeuse .
	Gonflage des pneus de la tondeuse autoportée inégal ou incorrect.	Consulter Entretien section.
Tonte d'aspect grossier.	Régime moteur trop bas.	Consulter Commande de régime du moteur à RAPIDE.
	Vitesse de déplacement trop rapide.	Diminuer la vitesse de déplacement.
Le moteur cale facilement lorsque les lames de coupe sont engagées.	Régime moteur trop bas.	Régler la commande de régime du moteur à RAPIDE.
	Vitesse de déplacement trop rapide.	Diminuer la vitesse de déplacement.
	Hauteur de coupe réglée trop basse.	Tondre les herbes hautes à la hauteur de coupe maximale lors d'un premier passage.
Vibration excessive du carter de coupe.	Éjecteur obstrué par l'herbe coupée.	Tondre en dirigeant l'éjecteur vers une zone déjà tondue.
	Visserie de fixation de lame desserrée.	Serrer à un couple de serrage entre 50 et 60 lb-pi (68 et 81 Nm).

Pour tous les autres problèmes, communiquer avec un concessionnaire autorisé.

Spécifications

MOTEUR

Briggs & Stratton

Série Intek™	
Cylindrée	44,18 po cu. (724 cc)
Professional Series™	
Cylindrée	30,51 po cu. (500 cc)
Cylindrée	44,18 po cu. (724 cc)
Tous les moteurs	
Volume d'huile (500 cc)	48 oz (1,4 L)
Volume d'huile (724 cc)	64 oz (1,9 L)
Écartement des électrodes de bougie	0,030 po (0,76 mm)
Couple de serrage de bougie	180 po-lb (20 Nm)

CHÂSSIS

Capacité du réservoir d'essence	3 gal. (11,4 L)
Pression de gonflage	
- Roues avant	22 psi (1,52 bar)
- Roues arrière	12 psi (0,83 bar)

TRANSMISSION

Type	Hydro-Gear® EZT®
------	------------------

Hydro-Gear® ZT-2800®

TONDEUSE

Largeur de coupe	36 po (91 cm)
	42 po (107 cm)
	44 po (112 cm)

46 po (117 cm)
48 po (122 cm)
52 po (132 cm)

Goupille de réglage	1,5 à 3,75 po (3,8 à 9,5 cm)
	1,5 à 4,5 po (3,8 à 11,7 cm)

Puissance nominale

Les valeurs brutes de puissance nominale de chaque modèle de moteur à essence sont indiquées conformément au code J1940 Procédure d'évaluation de la puissance et du couple nominaux des petits moteurs de la SAE (Society of Automotive Engineers) et sont évaluées conformément à SAE J1995. Les valeurs de couple sont dérivées à 2 600 tr/min pour les moteurs avec « tr/min » sur l'étiquette et 3 060 tr/min pour tous les autres; les valeurs de puissance sont dérivées à 3 600 tr/min. Les courbes de puissance brute peuvent être consultées au www.BRIGGSandSTRATTON.COM. Les valeurs nettes de puissance sont prises alors que l'échappement et le filtre à air sont installés alors que les valeurs brutes de puissance sont mesurées sans ces accessoires. La puissance brute réelle du moteur sera supérieure à la puissance nette du moteur et sera affectée, entre autres, par les conditions de fonctionnement ambiantes ainsi que par les différences entre moteurs. Étant donné la vaste gamme de produits sur lesquels les moteurs sont installés, le moteur à carburant peut ne pas développer la puissance nominale brute lorsqu'il est utilisé pour entraîner une pièce d'appareil donnée. Cette différence est causée par différents facteurs dont, mais sans s'y limiter, la variété des composants du moteur (filtre à air, échappement, chargement, refroidissement, carburateur, pompe à carburant, etc.), les limites de l'appareil, les conditions de fonctionnement ambiantes (température, humidité, altitude) et les différences entre les moteurs. En raison des limites de fabrication et de capacité, Briggs & Stratton peut substituer à ce moteur, un moteur d'une valeur de puissance plus élevée.

Remarque : L'information au sujet du moteur contenue dans ce manuel s'applique aux moteurs Briggs & Stratton seulement. Pour obtenir des renseignements sur les moteurs autres que Briggs, consulter le manuel du moteur fourni avec votre appareil.

Pièces et accessoires

Consulter un centre de service autorisé.

Not for
Reproduction

Not for
Reproduction